





# 华菱汽车备件目录图册

HUALING AUTOMOBILE SPARE PARTS MANUAL

上册

VOLUME 1

安徽华菱汽车股份有限公司

ANHUI HUALING AUTOMOBILE CO.,LTD



# 前 言

华菱汽车是安徽华菱汽车股份有限公司在日本三菱重型卡车技术平台上自主研发的系列中高档重型卡车，包括了进口及国产多种功率发动机、多种变速箱、多种重型承载桥、多种轴距、多种驱动型式等。

本备件目录是参考安徽华菱汽车股份有限公司技术中心系列华菱汽车产品明细表编制的，它包含了华菱汽车股份有限公司现生产华菱汽车的部分车型的几乎所有部件，可供华菱汽车售后服务人员、华菱汽车用户订购汽车零部件及熟悉汽车结构用。

参照本手册可以找到您所需要的华菱汽车配件，及时解决故障。有时由于产品改进，您也有可能发现与书中不同的华菱汽车配件存在，使用时要确认车型及生产日期、批号，以保证您能够找到正确的配件。

由于时间关系，再加上参加编写的人员水平有限，本书中难免存在疏漏及错误之处，这里诚恳地欢迎您批评指正，以便在下次出版时更正，同时也为因此给您带来的不便表示真诚的歉意。

## 版权说明：

本书部分内容引用了配套件公司的资料，版权归原配套件公司所有，其他版权归安徽华菱汽车股份有限公司所有。

华菱公司保留对本手册进行改进的权利，如有变更，恕不另行通知。本手册最终解释权归安徽华菱汽车股份有限公司所有。

安徽华菱汽车股份有限公司  
技术与开发中心  
2007年6月10日



# Preface

Hualing trucks are a series of middle and high-class heavy-duty trucks which are developed independently by Anhui Hualing Automobile Co.,Ltd on the technical platform of Mitsubishi (Japan)heavy-duty truck, including imported or domestic engines of various horsepowers, transmissions, heavy-duty axles,wheelbases and driving modes.

The manual is compiled according to the list of Hualing vehicle series from Technology Center of Anhui Hualing Automobile Co.,Ltd. It includes almost all parts of some models in production in the company and can be served for after-sale service personnel and customers to order spare parts, and enhance the familiarity with structure of trucks.

With reference to the manual, you can find the desired parts of Hualing trucks and clear malfunctions timely. Some Hualing parts may be different from those in the manual for the improvement of products. Therefore, vehicle model, production date and serial number should be confirmed priorly to ensure the right choice of parts.

Limited by time and knowledge of the compliers, the negligence and inaccuracy is inevitable in this manual. Your kindly comment and recommendation are much appreciated for the revision in next edition. Please accept our sincere apologies for the inconveniences hereby.

## **Explanation to Copyright:**

The manual may quote our suppliers' information and its copyright is reserved by the relevant suppliers. Any other copyright is reserved by Anhui Hualing Automobile Co., Ltd.

Hualing company reserves the right to mend this manual without prior notice. The company's interpretation shall prevail.

**Anhui Hualing Automobile Co., Ltd.**  
**Technical Research & Development Center**  
**Jun. 10, 2007**





# 使用说明

1、华菱汽车是包含一百多种变型的系列产品，同时各车型采用模块式组合方式，所用总成通用化程度较高，且同一系列总成的零件通用化程度也高，因此本备件目录不是单一车型的备件目录，总成也不是单一总成产品的备件目录，而是适应所有变型产品的备件目录，其编排也是按照模块化结构，以总成为基本单元，总成的各种变型产品都包含在该基本单元内。例如发动机单元，不与某一车型直接挂钩，而是独立于各车型，将华菱汽车所常用的系列发动机如：康明斯发动机 C260 20、C300 20、L345 20、L37520、斯太尔发动机 WD615. 50、WD615. 31、WD615. 34、WD615. 38 等编在一个单元内。由于同一配套厂家的发动机属于系列产品，结构相同，同一系列不同机型的某一部分可共用一张零部件爆炸图，给备件目录的编排带来了方便，也便于了解该配套厂家不同机型发动机的结构部件的差别。车架装置图以基本型为基础进行命名，相似车型车架可在基本型装置图上查找，如 3200+1350 轴距牵引车车架总成以相应康明斯动力牵引车车架总成 28AH4DQ15-00010 为基本型，其余动力车型车架与其共用爆炸图。

## 2、本备件目录的查阅方法

- (1) 查看车辆识别代号及发动机铭牌，确定汽车车型代号、发动机型号及生产日期、批次，具体含义见《安徽华菱汽车股份有限公司车辆识别代号 (VIN) 编制规则》，了解本车型采用了哪些配置等基本信息。
- (2) 查阅《华菱汽车基本配置明细表》，根据车型查寻装用基本总成的型号名称。
- (3) 根据装用总成的型号名称查阅目录，确定所查总成装置图在本书中的图号及页次。
- (4) 基本配置明细表中没有的系统总成，查阅各总成爆炸图目录，确定所查系统总成爆炸图在本书中的图号及页次。
- (5) 对于型号唯一的总成可根据图上所注序号查出零件编号。
- (6) 对于有多种变型的总成可根据图上所注序号查出一个或多个零件编号，再根据适用产品可以唯一确定某种型号总成所用到的该种零件的编号。如下表：

# Instruction

1. Hualing automobile is a series of products including more than 100 models. Owing to the module technique designed for various models, it has a high interchangeability in the complete assembly as well as parts of the same series assembly. Therefore, this manual is not a catalog of spare products for single vehicle model or single assembly but for all modified products. It is also compiled with the module technique. The assembly is taken as a basic unit which contains all modified products of the assembly. For example, the unit of engine is not connected with but independent on defined models. The common engine series used in Hualing vehicles, for example, CUMMINS engines C260 20, C300 20, L345 20 and L375 20, and WD615.50, WD615.31, STEYR WD615.34 and WD615.38 are listed in one unit. The engines supplied by the same producer are classified as one product series with same structure and some sections in various models of the same series may share one parts drawing. This facilitates the compilation of the manual and helps the understanding of the structural differences between the components of various engine models of one supplier. The drawing of frame is named according to its basic structure and the frames of similar models may be found at the basic drawing. For example, the frame assembly 28AH4DQ15-00010, used in the tractor equipped with CUMMINS engines, is the basic type of that in the 3200+1350-Wheel base-long tractor. Other tractors with different engines share the same frame drawing.

## 2. Searching in this spare parts manual

- (1) Check the identification number of the vehicle and the name plate of its engine to determine the model number of the vehicle, engine model, production date and batch number. For the detail information, see “Rules on Compilation of Vehicle Identification Number in Anhui Hualing Automobile Co.,Ltd” to understand the basic data such as the configuration of this model, etc.
- (2) Check “ Basic Configuration List Of HUALING Automobile” and determine the model of the basic assembly installed according to the model.
- (3) Search the target assembly drawing in the manual according to the model of the basic assembly and confirm its drawing number and page number in this manual.

- (4) In case of absence of the target assembly in the basic configuration list, search in the content of the assembly exploded drawings to determine the target assembly exploded drawing number and page number in this manual.
- (5) For the assembly with the definite model, its parts number can be found according to the item number marked on the drawing.
- (6) For the assembly with different models, one or more numbers can be found according to the item number marked on the drawing and the number of the installed part in the assembly model can be then determined solely according to the applicable product, as shown in the following table:

序号 No.	件号 Part No.	数量 Quantity	名称 Name	规格 Specification	适用产品 Products Applied	备注 Remark
1	28AD-01151	1	第五横梁 -1 Fifth Cross Member - 1		装三菱 6×4 驱动桥 6×4 MITSUBISHI Driving Axle	
	28A2D-01151	1	第五横梁 -1 Fifth Cross Member - 1		装斯太尔 6×4 驱动桥 6×4 STEYR Driving Axle	
	28A4D-01151	1	第五横梁 -1 Fifth Cross Member - 1		装 457 6×4 驱动桥 6×4 457 Type Driving Axle	

从表中可以查明装 457 6×4 驱动桥车架的第五横梁所用序号 1：第五横梁 -1 的零件编号为 28A4D-01151，数量为 1 件。

From the table above, the number of fifth cross member-1 used in the frame with 6×4 457 type driving axle is 1. Its part number is 28A4D-01151 and quantity is 1.

(7) 各总成爆炸图格式如下:

(7) The format of the exploded drawings of all assembly is as follows:

(Page Number)

10-5(页码) 华菱汽车备件目录图册 /HUALING AUTOMOBILE SPARE PARTS MANUAL

缸体组 (BB 9171)(爆炸图名称) /CYLINDER BODY(BB 9171) (Name Of Exploded Drawing)

**10-B(图号)**  
**(Drawing Number)**

(附图)  
(Attached Figure)

(8) 零件明细表格式如下:

(8) The format of the part list is as follows:

(Page Number)

发动机系统 (系统名称, 仅限明细表) /ENGINE SYSTEM (NAME, ONLY FOR LIST) 68-8(页码)

序号 No.	件号 Part No.	数量 Quantity	名称 Name	规格 Specification	适用产品 Products Applied	备注 Remark
1	3909025	6	六角法兰面螺栓 Hexagon Bolt With Flange		L375 20	
2	3944153	7	曲轴瓦下瓦 Crankshaft Lower Bearing Shell		L375 20	
3	3944158	6	曲轴瓦上瓦 Crankshaft Upper Bearing Shell		L375 20	
					若该栏为空则所有产品均适用 If this column is empty, it applies for all products	

### 3、 例外说明

- (1) 华菱汽车除了基本配置总成外，还根据需要选装其他型号总成，如驾驶室翻转机构，由几个配套厂家供货，型号及形式不同，但可以通用，查阅时应确认所认购车型是否采用了特殊选用装置。如是，则应查阅该选装总成的配置图及零件明细表。
- (2) 个别总成中分总成也存在多项选择，如发动机喷油泵有 BOSCH 泵和无锡欧亚泵，查阅有关备件时应先确认发动机装用何种泵。
- (3) 传动轴总成备件目录以车型为基础编制，根据目录查到传动轴部分，找到所查车型号，即可在该车型下查到传动轴总成编号。由于传动轴也为系列产品，仅轴管长度不同，其它件相同。因此在查到传动轴总成编号后，如需查阅零件，则在总成备注栏查出以万向节直径为代号的标志如“ $\phi 52$ ”，然后在目录中查出“传动轴部件”的页次，在该页即可查到该“ $\phi 52$ 型传动轴”总成的零件编号。
- (4) 在某一机型中同一序号上有多个零件编号时，如无说明，则表明不同编号的零件互相通用，可任选其一。
- (5) 代表零件的唯一正确标志是零件编号，购买配件时，在配件目录中查到该部件确认后，应写明零件编号、名称及数量。
- (6) 对具有多种变型的总成，如驾驶室的各组成部件，在名称、适用产品或备注栏中无特别说明时，则表明该部件所有驾驶室通用。
- (7) 书中适用产品栏主要用来说明零件的适用范围，可以根据总成不同有不同的表述，以清楚明了为原则，若该栏为空则所有产品均适用。
- (8) 备注栏主要用于说明其它栏没有说明的事项，视情况决定是否注明。
- (9) 由于篇幅有限，所以并不是把所有的华菱汽车的基本配置都列在了本备件目录中，只是给出了有代表性的关键配置，查不到的关键总成见其单行本，由此造成的不便敬请谅解。

**安徽华菱汽车股份有限公司**  
**技术与开发中心**  
**2007年6月10日**

### 3. Exception

- (1) In addition to the general assembly of basic configuration, other models assembly may be selected on demand. For example, the cab tilting devices are provided by several suppliers. Although their models and structures are different, they can be replaced with each other. While searching in the manual, it shall be confirmed whether the special devices are installed in the selected vehicle model. If installed, the configuration drawings and part list relating to this assembly shall be referred.
- (2) In some assemblies, the multiple options may be possible. For example, there are two types of oil pumps in the engine, BOSCH pump and Wuxi Eurasia pump. Which pump is installed in the engine shall be confirmed prior to the searching of the spare parts.
- (3) The manual of the driving shaft assembly is compiled according to vehicle model. Find the model code of the vehicle in the part of propeller shaft first, then the number of its propeller shaft assembly can be found in this model. The propeller shafts are also series products and different only in length. Therefore, if a part is to be searched after general assembly code of propeller shaft is determined, just find the mark like “Φ52” which is coded by the diameter of the universal joint in remark column of the general assembly. Then the page number of the propeller shaft components in the manual, and finally the part number of the “Φ52 type propeller shaft” assembly can be found in this page.
- (4) Unless otherwise mentioned, the part numbers given for the same item number in one model are replaceable and optional.
- (5) The sole correct sign for parts is its code. Therefore, the part number, name and quantity of a component shall be recorded after it has been confirmed in the spare parts manual.
- (6) For assemblies with more varieties such as components of driver cab, they are suitable for all cabs unless otherwise mentioned in column of name, product applied or remark.
- (7) The column of products applied is mainly used to describe applicable range of the parts. The description may be different due to different general assembly with the principle of clear description. If the column is blank, the corresponding part is applicable to all products.
- (8) The remark column is mainly used for the matters not mentioned in other columns. Whether it is applicable or not depends on the actual situations.
- (9) Limited by length of the manual, not all basic configurations of Hualing vehicles are listed and only typical key configurations are given. For key assemblies not included in this manual, refer to its separate edition and we apologize to you for inconvenience hereby.

**Anhui Hualing Automobile Co., Ltd.**  
**Technical Research & Development Center**  
**Jun. 10, 2007**

# 安徽华菱汽车股份有限公司车辆识别代号 (VIN) 编制规则

## Coding Rules of Vehicle Identification Number (VIN) in Anhui Hualing Automobile Co.,Ltd

### 车辆识别代号的内容与构成 /Contents and Components of VIN

L	Z	5	M	1	A	B	1	1	1	A	0	0	0	0	0	1
1	2	3	4	5	6	7	8	9	10	11	12	13	14	15	16	17
制 造 厂 Manufacturer			车 身 驾 驶 室 类 型 Driver Cab Type	车 辆 类 型 Vehicle Type	发 动 机 类 型 Engine Type	最 大 总 质 量 或 车 辆 长 度 Max. Total Mass Or Vehicle Length	驱 动 形 式 或 发 动 机 布 置 形 式 Diving Mode Or Engine Arrangement Type	检 验 位 Inspection Locations	年 份 Year	装 配 厂 Assembling Factory	生 产 顺 序 号 Production Serial Number					

### 1 第一部分：世界制造厂识别代号 (WMI) /Section I: World Manufacturer Identifier (WMI)

第①~③位代码——世界制造厂识别代号 (WMI) /Codes of position 1 to 3: World Manufacturer Identifier (WMI)

代 码 Code	制 造 厂 名 称 Manufacturer
LZ5	安 徽 华 菱 汽 车 股 份 有 限 公 司 Anhui Hualing Automobile Co., Ltd.

## 2 第二部分：车辆说明部分 (VDS) /Section II: Vehicle Descriptive Section (VDS)

### 第④位代码——车身、驾驶室 /Code of position 4: Vehicle Body And Cab

代 码 Code	产 品 特 征 Product Description	代 码 Code	产 品 特 征 Product Description
M	平头驾驶室 Forward Control Cab	N	平顶驾驶室 Flat Roof Cab
P	长头驾驶室 Conventional Cab	Y	长头带卧铺驾驶室 Conventional Sleeper Cab
R	高顶驾驶室 High Roof Cab	S	平头双排座驾驶室 Forward Double Cab
T	平头单排座驾驶室 Forward Single Cab	U	客车单门 Single-Door Of Bus
V	客车双门 Double-Door of Bus	W	窄体驾驶室 Narrow Body Cab
X	客车及三类底盘 Bus And Class III Chassis		

### 第⑤位代码——车辆类型 /Code of Position 5: Vehicle Type

代 码 Code	产 品 特 征 Product Description	代 码 Code	产 品 特 征 Product Description
1	客车 Bus	2	货车二类底盘 Truck With Class II Chassis
3	客车三类底盘 Bus With Class III Chassis	4	半挂牵引车 Semitrailer Tractor
5	货车 Truck		



第⑥位代码——发动机类型 /Code of Position 6: Engine Type

代码 Code	燃油类型 Fuel Type	排量 (L) Displacement (L)	代码 Code	燃油类型 Fuel type	排量 (L) Displacement (L)
A	柴油 Diesel	$3 < L \leq 5$	B	柴油 Diesel	$5 < L \leq 8$
C	柴油 Diesel	$8 < L \leq 11$	D	柴油 Diesel	$11 < L \leq 14$
E	柴油 Diesel	$14 < L \leq 17$	F	天然气 Natural Gas	$5 < L \leq 8$

第⑦位代码——货车及其底盘用最大总质量 (T) 表示，客车及其底盘用车辆长度 (L) 表示

Code of Position 7: T Indicates Max. Total Weight Of Truck And Its Chassis, L Indicates Vehicle Length Of Bus And Its Chassis

货车 (自卸、牵引、越野) 及底盘 (单位: T) Truck (Dumper, Tractor, Off-Road) And Chassis (In Tons)			
代码 Code	最大总质量 Max. Total Weight	代码 Code	最大总质量 Max. Total Mass
A	$10 \leq T < 15$	B	$15 \leq T < 20$
C	$20 \leq T < 25$	D	$25 \leq T < 30$
E	$30 \leq T < 35$	F	$35 \leq T < 40$
G	$40 \leq T < 45$	H	$45 \leq T < 50$
J	$50 \leq T < 55$		

客车及客车底盘 (单位: m)  
Bus And Chassis (In Meters)

代码 Code	车辆长度 Vehicle Length	代码 Code	最大总质量 Max. Total Mass
1	$5 \leq L < 7$	2	$7 \leq L < 9$
3	$9 \leq L < 11$	4	$11 \leq L < 13$
5	$13 \leq L < 15$	6	$L > 15$

第⑧位代码——驱动形式及发动机布置形式 / Code of Position 8: Driving Type and Engine Arrangement Type

驱动形式 (货车及二类底盘、半挂牵引车)  
Driving Type (Truck And Class II Chassis, Semitrailer)

代码 Code	驱动形式 Drive Type	代码 Code	驱动形式 Driving Type
1	4×2	2	4×4
3	6×4	4	6×2
5	8×4	6	10×4
7	6×6	8	8×8
9	8×2	A	8×6

代 码 Code	驱 动 形 式 Driving Type	代 码 Code	驱 动 形 式 Driving Type
B	10×2	C	10×6
D	10×8	E	10×10
发动机布置形式（客车及三类底盘） Engine Arrangement Type (Bus and Class III Chassis)			
代 码 Code	发 动 机 位 置 Engine Position	代 码 Code	发 动 机 位 置 Engine Position
1	前 置 Front	2	中 置 Middle
3	后 置 Rear		

第⑨位代码——检验位 /Code of Position 9: Inspection Location

### 3 第三部分：车辆指示部分 (VIS) /Section III: Vehicle Indicator Section (VIS)

第⑩位代码——年份 /Code of Position 10: Year

年份 Year	代 码 Code	年份 Year	代 码 Code	年份 Year	代 码 Code	年份 Year	代 码 Code
1999	X	2002	2	2005	5	2008	8
2000	Y	2003	3	2006	6	2009	9
2001	1	2004	4	2007	7	2010	A

第⑪位代码——装配厂 /Code of Position 11: Assembling Factory

代码 Code	含义 Description	代码 Code	含义 Description
A	湖南衡阳工厂 Hunan Hengyang Factory	B	安徽马鞍山工厂 Anhui Ma'anshan Factory

第⑫～⑰位代码——生产顺序号 /Codes Of Position 12 to 17: Production Serial Number

**4 车辆识别代号的标记位置和固定方式 /Marking Location and Fixing Method of VIN**

- 1) VIN 直接打刻于车架上，N 类车型位于车架右纵梁中前部；M 类车型位于车架右纵梁前部。其他要求见附录 A。
  - 2) VIN 直接打刻在整车标牌上，N 类车型的标牌铆接在驾驶室右侧，二级踏板上方；M 类车型的标牌铆接在右侧门踏板附近。其他要求见附录 A。
  - 3) 另见附录 A 车辆识别代号标记型式申报表、车辆识别代号标记位置和固定方式申报表。
- 1) VIN is directly engraved on the vehicle frame, at middle-front area of main sill (right) in case of N type vehicle model and at front area of main sill (right) in case of M type. For other requirements, refer to annex A.
  - 2) VIN is directly engraved on the name plate of the vehicle, above the secondary pedal at the right side of the cab in case of N type vehicle model and near the right door pedal in case of M type. For other requirements, refer to annex A.
  - 3) Also refer to Application Form VIN Marking Application Form and Table of VIN Marking Location and Fixing Method in Annex A.

附 录 A/Annex A  
(规范性附录) / (Normative)  
申请表 /Application Form

# 车辆识别代号标记型式申报表

## Application Form of VIN Marking Type

**车辆生产企业名称:** 安徽华菱汽车股份有限公司

**Name of Manufacturer:** Anhui Hualing Automobile Co., Ltd.

**企业标准代号:** Q/HLJ1-2006

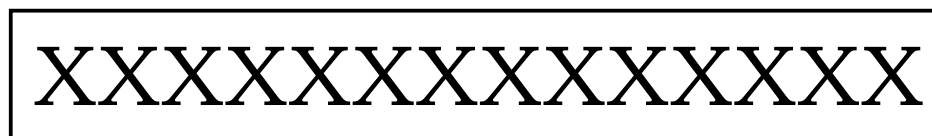
**Standard Code Of Enterprise:** Q/HLJ 1-2006

**车辆类型:** N 及 M

**Vehicle Type:** N And M

**生效日期:** 2006 年 10 月 1 日

**Effective Date:** Oct. 1,2006



车辆识别代号标记型式示意图 /Illustration Of VIN Marking Type

车辆识别代号标记型式说明 /Description Of VIN Marking Type

直接打刻在大梁上的 VIN 代码字高 8mm, 字宽 6mm; /VIN code directly engraved on the main sill: 8mm high, 6mm wide;

标记在标牌上的 VIN 代码字高 6mm, 字宽 4mm; 标牌使用不锈钢材质, 标牌长度 16cm, 宽度 10cm。/VIN code marked on the name plate: 6mm high, 4mm wide; name plate: stainless steel, 16cm long, 10cm wide.

# 车辆识别代号标记位置和固定方式申报表

## Application Form of VIN on Marking Location and Fixing Method

**车辆生产企业名称及类型：**安徽华菱汽车股份有限公司

**Name And Type Of Manufacturer:** Anhui Hualing Automobile Co., Ltd.

**企业标准代号：**Q/HLJ

**Standard Code Of Enterprise:** Q/HLJ 1-2006

**车辆类型：**N 及 M

**Vehicle Type:** N And M

**生效日期：**2006 年 10 月 1 日

**Effective Date:** Oct. 1,2006

### 说明 /Note:

N 类车型的标牌固定在驾驶室右侧，二级踏板上方，采用铆接方式固定；打刻在大梁上的 VIN 代码位于大梁右侧中前部。

In case of N type vehicle, the name plate is riveted above the secondary pedal at the right side of the cab; the VIN code engraved on the main sill (right) is located at the middle-front area.

M 类车型的标牌固定在右侧门踏板附近，采用铆接方式固定；打刻在大梁上的 VIN 代码位于大梁右侧前部。

In case of M type vehicle, the name plate is riveted near the right door pedal; the VIN code engraved on the main sill (right) is located at the front area.

# 华菱汽车基本配置明细表

BASIC CONFIGURATION LIST OF HUALING AUTOMOBILE

# 华菱汽车基本配置明细表

## BASIC CONFIGURATION LIST OF HUALING AUTOMOBILE

车型名称 Model Name	前轴 Front Axle				驱动桥 Driving Axle				发动机 Engine								取力器 Power Take-Off	
	分度圆直径 Graduated Circle Diameter 解放刚性前桥 JIEFANG Steel Front Axle		分度圆直径 Graduated Circle Diameter 泰州刚性前桥 TAIZHOU Steel Front Axle		457 单后桥 457 Single Rear Axle	STEYR 单后桥 STEYR Single Rear Axle	457 串联桥 457 Tandem Axle	STEYR 串联桥 STEYR Tandem Axle	C260 20	C300 20	L345 20	L375 20	WD615.31	WD615.34	WD615.38	WD615.50	康明斯取力器 CUMMINS Power Take-Off	斯太尔取力器 STEYR Power Take-Off
	φ 285.75	φ 335	φ 285.75	φ 335														
HN1210P26E3MJ		○		○	4.875				√									
HN1250G4DJ		○		○			4.875			√								
HN1250G26E8MJ		○		○			4.875		√									
HN1310G3DJ		○		○				5.73							√			
HN3220P28D7M		○		○				4.80					√					
HN3250P26D4MJ		○		○				5.73								√		
HN3250P34C6MJ		○		○				5.73					√					
HN3250P35D4MJ		○		○				5.73					√					
HN3250P34C6M		○		○				5.73			√						√	
HN3250P34C6M		○		○				5.73							√			
HN3250G6D		○		○				5.833			√							
HN3250P34C6MJ		○		○				5.833						√				√

注：“√”代表基本配置，“○”代表定货时可选配置。

Note: “√” Standard, “○” Optional



# 华菱汽车基本配置明细表

## BASIC CONFIGURATION LIST OF HUALING AUTOMOBILE

车型名称 Model Name	离合器 Clutch						变速箱 Transmission				转向器 Steering Gear		ABS	车架（以轴距为分类标准） Frame(Classified By Wheelbase)												备注 Remark	
	FD430A-175	FD430A-195	FD430A-195H	FD430A-225	FD430A-L30	SACHS	9JS119	9JS150T-B	12JS160T	RT-11509C	ZF8098	ZJ110	4S/4M D-BASIC	3600+1350	4400+1350	4100+1350	3200+1350	3400	4710+1350	5220+1350	5850+1350	1850+3370+1350	1850+4000+1350	1850+4605+1350	1850+5310		
HN1210P26E3MJ		√									○	○													√		
HN1250G4DJ		√									○	○								√							
HN1250G26E8MJ		√						√			○	○									√						
HN1310G3DJ					√				√		○	○												√			
HN3220P28D7M				√							○	○							√								
HN3250P26D4MJ		√							√		○	○			√												
HN3250P34C6MJ				√					√		○	○		√													
HN3250P35D4MJ				√				√			○	○			√												
HN3250P34C6M				√							○	○		√													
HN3230P4C6W		√									○	○		√													
HN3250G6D		√									○	○		√													
HN3250P34C6MJ				√					√		○	○		√													

注：“√”代表基本配置，“○”代表定货时可选配置。

Note: “√” Standard, “○” Optional

# 华菱汽车基本配置明细表

## BASIC CONFIGURATION LIST OF HUALING AUTOMOBILE

车型名称 Model Name	前轴 Front Axle				驱动桥 Driving Axle				发动机 Engine						取力器 Power Take-Off			
	分度圆直径 Graduated Circle Diameter 解放刚性前桥 JIEFANG Steel Front Axle		分度圆直径 Graduated Circle Diameter 泰州刚性前桥 TAIZHOU Steel Front Axle		457 单后桥 457 Single Rear Axle	STEYR 单后桥 STEYR Single Rear Axle	457 串联桥 457 Tandem Axle	STEYR 串联桥 STEYR Tandem Axle	C260 20	C300 20	L345 20	L375 20	WD615.31	WD615.34	WD615.38	WD615.50	康明斯取力器 CUMMINS Power Take-Off	斯太尔取力器 STEYR Power Take-Off
	φ 285.75	φ 335	φ 285.75	φ 335														
HN3270P34DLMJ		○		○				5.73			√							
HN3270P5DLWJ		○		○				5.730							√			
HN3310P34C3MJ		○		○				5.73					√					
HN3310P34C3MJ		○		○				5.73					√					
HN3310P34C3MJ		○		○				5.833			√					√		
HN4180G1C4W		○		○			4.800				√							
HN4180G6D		○		○			4.8								√			
HN4180G1C4W		○		○			4.800						√					
HN4250G4CLW		○		○				4.8			√							
HN4250G38CLM		○		○				4.80						√				
HN4250G38CLM		○		○				4.80			√							
HN3250P26D4M		○		○				5.833							√			

注：“√”代表基本配置，“○”代表定货时可选配置。

Note: “√” Standard, “○” Optional

## 华菱汽车基本配置明细表

### BASIC CONFIGURATION LIST OF HUALING AUTOMOBILE

车型名称 Model Name	离合器 Clutch						变速箱 Transmission				转向器 Steering Gear		ABS	车架（以轴距为分类标准） Frame(Classified By Wheelbase)												备注 Remark													
	FD430A-175	FD430A-195	FD430A-195H	FD430A-225	FD430A-L30	SACHS	9JS119	9JS150T-B	12JS160T	RT-11509C	ZF8098	ZJ110	4S/4M D-BASIC	3600+1350	4400+1350	4100+1350	3200+1350	3400	4710+1350	5220+1350	5850+1350	1850+3370+1350	1850+4000+1350	1850+4605+1350	1850+5310														
HN3270P34DLMJ				√				√				○	○																										
HN3270P5DLWJ		√										○	○																										
HN3310P34C3MJ				√						√		○	○																										
HN3310P34C3MJ				√						√		○	○																										
HN3310P34C3MJ				√				√				○	○																										
HN4180G1C4W				√				√				○	○	○						√																			
HN4180G6D		√										○	○	○						√																			
HN4180G1C4W				√						√		○	○	○						√																			
HN4250G4CLW				√						√		○	○	○																									
HN4250G38CLM					√				√			○	○	○																									
HN4250G38CLM					√					√		○	○	○																									
HN3250P26D4M		√					√					○	○			√																							

注：“√”代表基本配置，“○”代表定货时可选配置。

Note：“√” Standard, “○” Optional



# 目 录

## CONTENT

### 10、发动机系统 /ENGINE SYSTEM

图号 No. Of Figure	名称 Name	适用产品 Products Applied	备注 Remark	页次 Page
10-A	参数牌组 (AP9481) PARAMETER PLATE SET(AP9481)	L375 20、L345 20		10-1
10-A	缸体冷却管路组 (BB9216) CYLINDER BLOCK COOLING LINE SET(BB9216)	L375 20		10-1
10-B	缸体组 (BB 9171) CYLINDER BLOCK SET(BB 9171)	L375 20、L345 20		10-3
10-B	缸体组 (BB 9171) CYLINDER BLOCK SET(BB 9171)	L375 20、L345 20		10-5
10-C	冷却液辅助连接管组 (CH9087) COOLANT SUB-CONNECTING PIPE SET (CH9087)	东风康明斯系列 DONGFENG CUMMINS Series		10-7
10-C	缸体管路连接件组 (BB9213) BLOCK LINE CONNECTOR SET(BB9213)	L375 20、L345 20		10-7
10-D	齿轮室组 (BB9881) GEAR HOUSING SET(BB9881)	东风康明斯系列 DONGFENG CUMMINS Series		10-9
10-E	曲轴箱通风组 (BR 9239) CRANKCASE VENTILATION SET(BR 9239)	L375 20、L345 20		10-11
10-E	空压机冷却水管组 (CC9297) AIR COMPRESSOR COOLING PIPE SET(CC9297)	L375 20、L345 20		10-11
10-F	空压机组 (CP9510) AIR COMPRESSOR SET(CP9510)	L375 20、L345 20、C230 20、C325 20		10-13
10-F	变速箱第一前轴承 (CL 9079) TRANSMISSION NO.1 FRONT SHAFT BEARING(CL 9079)	L375 20、L345 20		10-13

图号 No. Of Figure	名称 Name	适用产品 Products Applied	备注 Remark	页次 Page
10-G	扭振减振器组 (DA 9155) TORSIONAL DAMPER SET(DA 9155)	L375 20、L345 20		10-15
10-G	搭铁线组 (EA 9089) GROUND CABLE SET(EA 9089)	L375 20、L345 20、C230 20、C325 20		10-15
10-H	节温器组 (EC9702) THERMOSTAT SET(EC9702)	L375 20、C260 20、C325 20、L345 20、C230 20		10-17
10-H	传感器总成组 (E0 9104) SENSOR ASSEMBLY SET(E0 9104)	L375 20、C260 20、C325 20、L345 20、C230 20		10-17
10-H	发电机安装件组 (EH 9591) GENERATOR MOUNTING PART SET(EH 9591)	L375 20、C260 20、C325 20、L345 20、C230 20		10-17
10-I	风扇驱动件组 (FA 9310) FAN DRIVE SET(FA 9310)	东风康明斯系列 DONGFENG CUMMINS Series		10-19
10-I	风扇驱动件组 (FA 9739) FAN DRIVE SET(FA 9739)	L375 20、C260 20、C325 20、L345 20、C230 20		10-19
10-J	增压补偿器连接管组 (FE 9043) SUPERCHARGE BOOST COMPENSATOR CONNECTING PIPE SET(FE 9043)	L375 20、L345 20		10-21
10-J	增压补偿器连接管组 (FE 9022) SUPERCHARGE BOOST COMPENSATOR CONNECTING PIPE SET(FE 9022)	L375 20、C325 20		10-21
10-K	燃油滤清器组 (FF 9593) FUEL FILTER SET(FF 9593)	L375 20、L345 20		10-25
10-L	燃油滤清器连接管路组 (FF 9594) FUEL FILTER CONNECTING LINE SET(FF 9594)	L375 20、L345 20		10-27
10-M	飞轮壳组 (FH 9430) FLYWHEEL CASE SET(FH 9430)	所有东风康明斯搅拌车系列 All DONGFENG CUMMINS Mixer Series		10-29
10-N	燃油泵安装组 (FP90370) FUEL PUMP MOUNTING SET(FP 90370)	L375 20、L345 20		10-31

图号 No. Of Figure	名称 Name	适用产品 Products Applied	备注 Remark	页次 Page
10-O	输油泵总成 (FS 9849) FUEL SUPPLY PUMP ASSEMBLY(FS 9849)	L375 20、L345 20		10-35
10-O	燃油泵组 (FP 90545) FUEL PUMP SET(FP 90545)	L375 20 、 C230 20		10-35
10-P	燃油管路组 (FT 9127) FUEL PIPING SET(FT 9127)	L375 20、L345 20		10-37
10-P	飞轮组 (FW 9782) FLYWHEEL SET(FW 9782)	所有东风康明斯搅拌车系列 All DONGFENG CUMMINS Mixer Series		10-37
10-Q	飞轮安装件组 (FW 90025) FLYWHEEL MOUNTING PART SET(FW 90025)	所有东风康明斯搅拌车系列 All DONGFENG CUMMINS Mixer Series		10-39
10-Q	齿轮室盖安装件组 (GG 9804) GEAR HOUSING COVER MOUNTING PART SET(GG 9804)	东风康明斯系列 DONGFENG CUMMINS Series		10-39
10-R	齿轮室盖组 (GG 9806) GEAR HOUSING COVER SET(GG 9806)	东风康明斯系列 DONGFENG CUMMINS Series		10-41
10-R	暖风安装件组 (HC 9046) HEATER MOUNTING PART SET(HC 9046)	L375 20、L345 20		10-41
10-S	液力转向泵组 (HD 9131) HYDRAULIC POWER STEERING PUMP SET(HD 9131)	L375 20 、 C230 20		10-43
10-S	进气连接件组 (IC 9450) INTAKE ATTACHMENT SET(IC 9450)	L375 20 、 C230 20		10-43
10-T	进气歧管组 (IM 9101) INTAKE MANIFOLD SET(IM 9101)	L375 20、L345 20		10-45
10-T	发动机吊耳组 (LA 9028) ENGINE SHACKLE SET(LA 9028)	L375 20、L345 20		10-45
10-U	机油冷却器组 (LC 9765) OIL COOLER SET(LC 9765)	L375 20、L345 20		10-47
10-V	机油滤清器组 (LF 9130) OIL FILTER SET(LF 9130)	东风康明斯系列 DONGFENG CUMMINS Series		10-51

图号 No. Of Figure	名称 Name	适用产品 Products Applied	备注 Remark	页次 Page
10-V	机油标尺组 (LG 9898) OIL DIPSTICK SET(LG 9898)	L375 20、L345 20		10-51
10-V	机油组 (LO 9701) OIL SET(LO 9701)	L375 20、L345 20		10-51
10-V	机油泵组 (LP 9724) OIL PUMP SET(LP 9724)	L375 20、L345 20		10-51
10-W	油门操纵组 (MS 9067) THROTTLE CONTROL SET(MS 9067)	L375 20 、 C325 20、 L345 20		10-53
10-W	附件驱动皮带轮组 (PA 9001) ACCESSORY DRIVE BELT PULLEY SET(PA 9001)	东风康明斯系列 DONGFENG CUMMINS Series		10-53
10-X	缸体加油附件组 (OB 9363) CYLINDER OIL FILLER ACCESSORY SET(OB 9363)	L375 20、L345 20		10-55
10-X	缸体加油附件组 (OB 9377) CYLINDER OIL FILLER ACCESSORY SET(OB 9377)	L375 20、L345 20		10-55
10-Y	油底壳组 (OP 9337) OIL PAN SET(OP 9337)	L375 20、L345 20		10-57
10-Y	油底壳组 (OP 9337) OIL PAN SET(OP 9337)	L375 20、L345 20		10-59
10-Z	性能件组 (PP 40388) FUNCTIONAL PART SET(PP 40388)	L375 20、L345 20		10-61
10-Z	性能件组 (PP 40388) FUNCTIONAL PART SET(PP 40388)	L375 20、L345 20		10-63
10-Z	性能件组 (PP 40388) FUNCTIONAL PART SET(PP 40388)	L375 20、L345 20		10-65
10-AA	增压器组 (PP 98671) SUPERCHARGER SET(PP 98671)	L375 20、L345 20		10-69
10-AA	缸盖管路组 (PP 98993) CYLINDER HEAD LINE SET(PP 98993)	L375 20、L345 20		10-69



图号 No. Of Figure	名称 Name	适用产品 Products Applied	备注 Remark	页次 Page
10-AB	摇臂组 (RL 9757) ROCKER ARM SET(RL 9757)	L375 20		10-71
10-AB	摇臂组 (RL 9768) ROCKER ARM SET(RL 9768)	L375 20		10-71
10-AC	发动机出气管组 (RP 9042) ENGINE OUTLET PIPE SET(RP 9042)	L375 20、L345 20		10-73
10-AC	水温传感器组 (SD 9113) WATER TEMPERATURE SENSOR SET(SD 9113)	L375 20 、C300 20、L345 20		10-73
10-AD	起动机组 (ST 9344) STARTER SET(ST 9344)	L375 20、C260 20、L345 20、C230 20		10-75
10-AD	压力报警传感器组 (SD 9169) PRESSURE ALARM SENSOR SET(SD 9169)	L375 20、L345 20、C230 20		10-75
10-AD	起动机安装件组 (SM 9772) STARTER MOUNTING PART SET (SM 9772)	L375 20、L345 20		10-75
10-AE	增压器布置组 (TB 91272) SUPERCHARGER LAYOUT SET(TB 91272)	L375 20、L345 20		10-77
10-AE	扭矩转换器冷却组 (TK 9022) TORQUE CONVERTER COOLING SET(TK 9022)	L375 20、C300 20、L345 2、C230 20		10-77
10-AF	增压器管路组 (TP 97236) SUPERCHARGER LINE SET(TP 97236)	L375 20、C325 20、L345 20		10-79
10-AG	水滤清器组 (WF 9094) WATER FILTER SET(WF 9094)	L375 20、C300 20、C325 20、L345 20		10-81
10-AH	气阀罩组 (VC 9775) VAVLE COVER SET(VC 9775)	L375 20、L345 20		10-83
10-AH	进水连接管组 (WI 9145) WATER INLET CONNECTING PIPE SET(WI 9145)	L375 20、C300 20、L345 20		10-83
10-AI	水泵组 (WP 9101) WATER PUMP SET(WP 9101)	L375 20、L345 20		10-85

图号 No. Of Figure	名称 Name	适用产品 Products Applied	备注 Remark	页次 Page
10-AI	出水连接管组 (W0 9052) WATER OUTLET CONNECTING PIPE SET(WO 9052)	东风康明斯系列 DONGFENG CUMMINS Series		10-85
10-AJ	皮带张紧轮组 (WP 9916) BELT TENSIONER PULLEY SET(WP 9916)	L375 20、C300 20、C325 20、L345 20		10-87
10-AJ	水泵附件驱动组 (WP 9963) WATER PUMP ACCESSORY DRIVE SET(WP 9963)	东风康明斯系列 DONGFENG CUMMINS Series		10-87
10-AK	发动机悬置系统 ENGINE MOUNTING SYSTEM	东风康明斯系列 DONGFENG CUMMINS Series		10-89
10-AL	发动机悬置系统 ENGINE MOUNTING SYSTEM	东风康明斯系列 DONGFENG CUMMINS Series		10-91
10-AM	发动机悬置系统 ENGINE MOUNTING SYSTEM	东风康明斯系列 DONGFENG CUMMINS Series		10-95
10-AN	发动机悬置系统 ENGINE MOUNTING SYSTEM	东风康明斯系列 DONGFENG CUMMINS Series		10-97
10-AO	发动机悬置系统 ENGINE MOUNTING SYSTEM	东风康明斯系列 DONGFENG CUMMINS Series		10-99
10-AP	发动机悬置系统 ENGINE MOUNTING SYSTEM	东风康明斯系列 DONGFENG CUMMINS Series		10-101
10-AQ	参数牌组 (AP 9382) PARAMETER PLATE SET(AP 9382)	C260 20、C300 20、C325 20、L345 20、C230 20		10-103
10-AQ	缸体冷却管路组 (BB 9200) CYLINDER BLOCK COOLING LINE SET(BB 9200)	C260 20、C300 20、C325 20、C230 20		10-103
10-AR	缸体管路连接件组 (BB 9091) CYLINDER BLOCK LINE CONNECTOR SET(BB 9091)	C260 20、C300 20、C325 20、C230 20		10-105
10-AR	空压机冷却水管组 (CC 9274) AIR COMPRESSOR COOLING PIPE SET(CC 9274)	C260 20、C300 20、C325 20、C230 20		10-105
10-AS	缸体组 (BB 9110) CYLINDER BLOCK SET (BB 9110)	C260 20、C325 20、C300 20、C230 20		10-107

图号 No. Of Figure	名称 Name	适用产品 Products Applied	备注 Remark	页次 Page
10-AS	缸体组 (BB 9110) CYLINDER BLOCK SET (BB 9110)	C260 20、C325 20、C300 20、C230 20		10-109
10-AT	曲轴箱通风组 (BR 9198) CRANKCASE VENTILATION SET(BR 9198)	C260 20、C325 20、C230 20		10-111
10-AU	空调驱动件组 (CF 9120) AIR CONDITIONER DRIVER SET(CF 9120)	C260 20、L345 20		10-113
10-AU	空调组件 (CF 9089) AIR CONDITIONER SET(CF 9089)	C260 20		10-113
10-AU	变速箱第一前轴承 (CL 9079) TRANSMISSION NO.1 FRONT SHAFT BEARING(CL 9079)	C260 20、C230		10-113
10-AV	空压机组 (CP 9510) AIR COMPRESSOR SET(CP 9510)	C260 20		10-117
10-AV	搭铁线组 (EA 9089) GROUND WIRE SET(EA 9089)	C260 20 、C300 20		10-117
10-AW	增压补偿器连接管组 (FE 9023) SUPERCHARGE BOOST COMPENSTAOR CONNECTING PIPE SET(FE 9023)	C260 20、C300 20、C325 20、C230 20		10-119
10-AW	燃油滤清器组 (FF 9340) FUEL FILTER SET(FF 9340)	C260 20、C300 20、C325 20、C230 20		10-119
10-AX	燃油滤清器连接管组 (FF 9489) FUEL FILTER CONNECTING PIPE SET(FF 9489)	C260 20、C325 20、C230 20		10-121
10-AX	扭振减振器组 (DA 9728) TORSIONAL DAMPER SET(DA 9728)	C260 20、C325 20、C230 20		10-121
10-AY	燃油泵连接件组 (FP 99001) FUEL PUMP CONNECTING PART SET(FP 99001)	C260 20、C300 20、C325 20、C230 20		10-123
10-AY	基本燃油泵组 (FP 90145) BASE FUEL PUMP SET(FP 90145)	C260 20、C300 20、C325 20		10-123
10-AZ	供油系附件组 (FS 9724) OIL SUPPLY SYSTEM ACCESSORY SET(FS 9724)	C260 20、C325 20、C230 20		10-127

图号 No. Of Figure	名称 Name	适用产品 Products Applied	备注 Remark	页次 Page
10-AZ	飞轮组 (FW 9763) FLYWHEEL SET(FW 9763)	C260 20、C325 20、C230 20		10-127
10-BA	燃油管路组 (FT 9142) FUEL LINE SET(FT 9142)	C260 20、C300 20、C325 20、C230 20		10-129
10-BA	飞轮安装件组 (FW 90025) FLYWHEEL MOUNTING PART SET(FW 90025)	C260 20、C300 20、C325 20、C230 20		10-129
10-BB	液力转向泵组 (FT 9127) HYDRAULTC POWER STEERING PUMP SET(FT 9127)	C260 20		10-131
10-BB	暖风安装件组 (HC 9023) HEATER MOUNTING PART SET(HC 9023)	C260 20、C325 20		10-131
10-BB	进气接头组 (IC 9359) INTAKE CONNECTOR SET(IC 9359)	C260 20、C300 20、C230 20、C325 20		10-131
10-BC	进气歧管盖组 (IM 9717) INTAKE MANIFOLD COVER SET(IM 9717)	C260 20、C300 20、C230 20、C325 20		10-133
10-BC	发动机吊耳组 (LA 9068) ENGINE SHACKLE SET(LA 9068)	C260 20、C300 20、C230 20、C325 20		10-133
10-BC	机油泵组 (LP 9725) OIL PUMP SET(LP 9725)	C260 20、C300 20、C230 20、C325 20		10-133
10-BD	机油冷却器组 (LC 9227) OIL COOLER SET(LC 9227)	C260 20、C300 20、C230 20、C325 20		10-135
10-BD	机油标尺组 (LG 90021) OIL DIPSTICK SET(LG 90021)	C260 20、C300 20、C230 20、C325 20		10-135
10-BE	缸体加油附件组 (OB 9377) CYLINDER OIL FILLER ACCESSORY SET(OB 9377)	C260 20		10-139
10-BE	缸盖冷却管路组 (PP 98459) CYLINDER HEAD COOLING LINE SET(PP 98459)	C260 20、C300 20、C230 20、C325 20		10-139
10-BE	喷油器管路组 (PP 98838) INJECTOR LINE SET(PP 98838)	C260 20、C300 20、C230 20、C325 20		10-139

图号 No. Of Figure	名称 Name	适用产品 Products Applied	备注 Remark	页次 Page
10-BF	油门操纵组 (MS 9067) THROTTLE CONTROL SET(MS 9067)	C260 20、C300 20、C230		10-141
10-BF	增压器组 (PP 98565) SUPERCHARGER SET(PP 98565)	C260 20		10-141
10-BF	摇臂组 (RL 9732) ROCKER ARM SET(RL 9732)	C260 20、C300 20、C230 20、C325 20		10-141
10-BF	发动机冷却液出气组 (RP 9071) ENGINE COOLANT DEAERATION SET(RP 9071)	C260 20、C300 20、C230 20、C325 20		10-141
10-BG	油底壳组 (OP 9352) OIL PAN SET(OP 9352)	C300 20、C325 20、C230 20、C260 20		10-145
10-BG	压力报警传感器组 (SD 9112) PRESSURE ALARM SENSOR SET(SD 9112)	C260 20、C300 20、C325 20、C230 20		10-145
10-BH	性能件组 (PP 40303) FUNCTIONAL PART SET(PP 40303)	C260 20		10-149
10-BH	性能件组 (PP 40303) FUNCTIONAL PART SET(PP 40303)	C260 20		10-151
10-BH	性能件组 (PP 40303) FUNCTIONAL PART SET(PP 40303)	C260 20		10-153
10-BI	扭矩转换器冷却组 (TK 9022) TORQUE CONVERTER COOLING SET(TK 9022)	C260 20、C325 20		10-157
10-BI	水温传感器组 (SD 9113) WATER TEMPERATURE SENSOR SET(SD 9113)	C260 20、C325 20、C230 20		10-157
10-BI	起动机组 (ST 9377) STARTER SET(ST 9377)	C260 20		10-157
10-BJ	气阀室罩组 (VC 9221) AIR VALVE CHEST COVER SET(VC 9221)	C260 20、C300 20、C325 20、C230 20		10-159
10-BJ	增压器布置组 (TB 9993) SUPERCHARGER LAYOUT SET(TB 9993)	C260 20、C300 20、C325 20、C230 20		10-159

图号 No. Of Figure	名称 Name	适用产品 Products Applied	备注 Remark	页次 Page
10-BJ	进水连接管组 (WI 9145) WATER INLET CONNECTING PIPE SET(WI 9145)	C260 20、C300 20、C325 20、C230 20		10-159
10-BK	增压器管路组 (TP 97247) SUPERCHARGER LINE SET(TP 97247)	C260 20、C300 20、C230 20		10-161
10-BL	水滤清器组 (WF 9094) WATER FILTER SET(WF 9094)	C260 20、C230 20		10-165
10-BL	皮带张紧轮组 (WP 9916) BELT TENSIONER PULLEY SET(WP 9916)	C260 20、C230 20		10-165
10-BL	水泵组 (WP 9918) WATER PUMP SET(WP 9918)	C260 20、C300 20、C325 20、C230 20		10-165
10-BM	发动机前悬置支架组 (EM 9223) ENGINE FRONT MOUNTING BRACKET SET(EM 9223)	东风康明斯系列 DONGFENG CUMMINS Series		10-169
10-BM	传感器组 (E0 9135) SENSOR SET( EO 9135)	C300 20、C325 20、L345 20		10-169
10-BM	标签组 (LB 9085) LABEL SET(LB 9085)	C300 20、C325 20、C230 20		10-169
10-BM	标签组 (LB 9094) LABEL SET(LB 9094)	C300 20、C325 20、C230 20		10-169
10-BN	增压补偿器连接管组 (EM 9023) SUPERCHARGE BOOST COMPENSATOR CONNECTING PIPE SET(EM 9223)	C300 20		10-171
10-BN	液力转向泵组 (HD 9131) HYDRAULIC POWER STEERING PUMP SET(HD 9131)	C300 20、C325 20		10-171
10-BO	缸体加油附件组 (OB 9378) CYLINDER OIL FILLER ACCESSORY SET(OB 9378)	C300 20、C325 20、C230 20		10-173
10-BP	性能件组 (PP 40333) FUNCTIONAL PART SET(PP 40333)	C300 20		10-175
10-BP	性能件组 (PP 40333) FUNCTIONAL PART SET(PP 40333)	C300 20		10-177

图号 No. Of Figure	名称 Name	适用产品 Products Applied	备注 Remark	页次 Page
10-BP	性能件组 (PP 40333) FUNCTIONAL PART SET(PP 40333)	C300 20		10-179
10-BQ	增压器组 (PP 98484) SUPERCHARGER SET(PP 98484)	C300 20		10-183
10-BQ	参数牌 (SS 9455) PARAMETER PLATE(SS 9455)	C300 C325、L345 C230		10-183
10-BR	进气预热组 (AH 9141) INTAKE PREHEATING SET(AH 9141)	L345 20、C325 20、C230 20		10-185
10-BR	增压器排气连接件组 (XS 9258) SUPERCHARGER EXHAUST CONNECTING PART SET(XS 9258)	L345 20、C325 20、C230 20		10-185
10-BS	摇臂组 (RL 9774) ROCKER ARM SET(RL 9774)	L345 20		10-187
10-BT	性能件组 (PP 40311) FUNCTIONAL PART SET(PP 40311)	C230 20		10-189
10-BU	增压器组 (PP 98438) SUPERCHARGER SET(PP 98438)	C230 20		10-197
10-BV	汽缸体 (一) CYLINDER BLOCK I	潍柴 WD615 系列 WEICHAI WD615 Series		10-199
10-BV	汽缸体 (一) CYLINDER BLOCK I	潍柴 WD615 系列 WEICHAI WD615 Series		10-201
10-BW	汽缸体 (二) CYLINDER BLOCK II	潍柴 WD615 系列 WEICHAI WD615 Series		10-205
10-BW	汽缸体 (二) CYLINDER BLOCK II	潍柴 WD615 系列 WEICHAI WD615 Series		10-207
10-BW	汽缸体 (二) CYLINDER BLOCK II	潍柴 WD615 系列 WEICHAI WD615 Series		10-209
10-BW	汽缸体 (二) CYLINDER BLOCK II	潍柴 WD615 系列 WEICHAI WD615 Series		10-211

图号 No. Of Figure	名称 Name	适用产品 Products Applied	备注 Remark	页次 Page
10-BX	汽缸体（三） CYLINDER BLOCK III	潍柴 WD615 系列 WEICHAI WD615 Series		10-215
10-BX	汽缸体（三） CYLINDER BLOCK III	潍柴 WD615 系列 WEICHAI WD615 Series		10-217
10-BY	汽缸体（四） CYLINDER BLOCK IV	潍柴 WD615 系列 WEICHAI WD615 Series		10-219
10-BZ	曲轴飞轮 CRANKSHAFT FLYWHEEL	潍柴 WD615 系列 WEICHAI WD615 Series		10-223
10-BZ	曲轴飞轮 CRANKSHAFT FLYWHEEL	潍柴 WD615 系列 WEICHAI WD615 Series		10-225
10-CA	连杆和活塞 CONNECTING ROD AND PISTON	潍柴 WD615 系列 WEICHAI WD615 Series		10-227
10-CB	汽缸盖总成 CYLINDER HEAD ASSEMBLY	潍柴 WD615 系列 WEICHAI WD615 Series		10-229
10-CB	汽缸盖总成 CYLINDER HEAD ASSEMBLY	潍柴 WD615 系列 WEICHAI WD615 Series		10-231
10-CC	配气机构 VALVE MECHANISM	潍柴 WD615 系列 WEICHAI WD615 Series		10-235
10-CC	配气机构 VALVE MECHANISM	潍柴 WD615 系列 WEICHAI WD615 Series		10-237
10-CC	配气机构 VALVE MECHANISM	潍柴 WD615 系列 WEICHAI WD615 Series		10-239
10-CD	水泵和风扇 WATER PUMP AND FAN	潍柴 WD615 系列 WEICHAI WD615 Series		10-241
10-CD	水泵和风扇 WATER PUMP AND FAN	潍柴 WD615 系列 WEICHAI WD615 Series		10-243
10-CE	水泵总成 WATER PUMP ASSEMBLY	潍柴 WD615 系列 WEICHAI WD615 Series		10-245



图号 No. Of Figure	名称 Name	适用产品 Products Applied	备注 Remark	页次 Page
10-CF	张紧轮总成 TENSIONER PULLEY ASSEMBLY	潍柴 WD615 系列 WEICHAJ WD615 Series		10-247
10-CG	机油泵和机油滤清器 (一) OIL PUMP AND OIL FILTER I	潍柴 WD615 系列 WEICHAJ WD615 Series		10-249
10-CG	机油泵和机油滤清器 (一) OIL PUMP AND OIL FILTER I	潍柴 WD615 系列 WEICHAJ WD615 Series		10-251
10-CH	机油泵和机油滤清器 (二) OIL PUMP AND OIL FILTER II	潍柴 WD615 系列 WEICHAJ WD615 Series		10-255
10-CI	喷油泵高压油管 FUEL INJECTION PUMP HIGH PRESSURE PIPE	潍柴 WD615 系列 WEICHAJ WD615 Series		10-259
10-CI	喷油泵高压油管 FUEL INJECTION PUMP HIGH PRESSURE PIPE	潍柴 WD615 系列 WEICHAJ WD615 Series		10-261
10-CI	喷油泵高压油管 FUEL INJECTION PUMP HIGH PRESSURE PIPE	潍柴 WD615 系列 WEICHAJ WD615 Series		10-263
10-CJ	油管 OIL PIPE	潍柴 WD615 系列 WEICHAJ WD615 Series		10-265
10-CJ	油管 OIL PIPE	潍柴 WD615 系列 WEICHAJ WD615 Series		10-267
10-CK	联轴器总成 COUPLING ASSEMBLY	潍柴 WD615 系列 WEICHAJ WD615 Series		10-269
10-CL	电机装置 MOTOR UNIT	潍柴 WD615 系列 WEICHAJ WD615 Series		10-271
10-CM	火焰预热起动系统 FLAME PREHEATING START SYSTEM	潍柴 WD615 系列 WEICHAJ WD615 Series		10-275
10-CM	火焰预热起动系统 FLAME PREHEATING START SYSTEM	潍柴 WD615 系列 WEICHAJ WD615 Series		10-277
10-CN	进排气管 (一) INTAKE AND EXHAUST PIPE I	潍柴 WD615 系列 WEICHAJ WD615 Series		10-281

图号 No. Of Figure	名称 Name	适用产品 Products Applied	备注 Remark	页次 Page
10-CN	进排气管（一） INTAKE AND EXHAUST PIPE I	潍柴 WD615 系列 WEICHAI WD615 Series		10-283
10-CO	进排气管（二） INTAKE AND EXHAUST PIPE II	潍柴 WD615 系列 WEICHAI WD615 Series		10-285
10-CO	进排气管（二） INTAKE AND EXHAUST PIPE II	潍柴 WD615 系列 WEICHAI WD615 Series		10-287
10-CP	615 13 61A 单缸空气压缩机 615 13 61A SINGLE CYLINDER AIR COMPRESSOR	潍柴 WD615 系列 WEICHAI WD615 Series		10-291
10-CP	615 13 61A 单缸空气压缩机 615 13 61A SINGLE CYLINDER AIR COMPRESSOR	潍柴 WD615 系列 WEICHAI WD615 Series		10-293
10-CQ	油底壳 OIL PAN	潍柴 WD615 系列 WEICHAI WD615 Series		10-297
10-CR	发动机悬置系统 ENGINE MOUNTING SYSTEM	潍柴 WD615 系列 WEICHAI WD615 Series		10-299
10-CR	发动机悬置系统 ENGINE MOUNTING SYSTEM	潍柴 WD615 系列 WEICHAI WD615 Series		10-301
10-CS	发动机悬置系统 ENGINE MOUNTING SYSTEM	潍柴 WD615 系列 WEICHAI WD615 Series		10-303
10-CT	发动机悬置系统 ENGINE MOUNTING SYSTEM	C9 发动机系列 C9 Engine Series		10-307
10-CT	发动机悬置系统 ENGINE MOUNTING SYSTEM	C9 发动机系列 C9 Engine Series		10-309
10-CU	发动机悬置系统 ENGINE MOUNTING SYSTEM	C13 发动机系列 C13 Engine Series		10-311
10-CU	发动机悬置系统 ENGINE MOUNTING SYSTEM	C13 发动机系列 C13 Engine Series		10-313
10-CV	发动机悬置系统 ENGINE MOUNTING SYSTEM	M11 发动机系列 M11 Engine Series		10-315
10-CV	发动机悬置系统 ENGINE MOUNTING SYSTEM	M11 发动机系列 M11 Engine Series		10-317

## 11、供给系统 /SUPPLY SYSTEM

图号 No. Of Figure	名称 Name	适用产品 Products Applied	备注 Remark	页次 Page
11-A	油门拉丝总成装置图 THROTTLE CABLE ASSEMBLY	Cummins 系列 CUMMINS Series		11-1
11-B	油门拉丝总成装置图 THROTTLE CABLE ASSEMBLY	Steyr 系列 STEYR Series		11-3
11-C	加速油门踏板总成装置图 ACCELERATOR PEDAL ASSEMBLY	Cummins 系列、Steyr 系列 CUMMINS Series,STEYR Series		11-5
11-D	油门拉丝总成装置图 THROTTLE CABLE ASSEMBLY	Cummins 右架欧 II 系列 CUMMINS Europe II Series Of RHD		11-7
11-E	加速油门踏板总成装置图 ACCELERATOR PEDAL ASSEMBLY	Cummins 右架欧 II 系列 CUMMINS Europe II Series Of RHD		11-9
11-F	燃油箱 I FUEL TANK I			11-11
11-G	燃油箱 II FUEL TANK II			11-15
11-H	供给系管路 I SUPPLY SYSTEM LINE I			11-21
11-I	供给系管路 II SUPPLY SYSTEM LINE II			11-25
11-J	空气滤清器 I AIR FILTER I			11-29
11-K	空气滤清器 II AIR FILTER II	康明斯 300 马力以下型号发动机车型 CUMMINS Engine Under 300 Horsepower		11-31
11-L	空气滤清器 III AIR FILTER III	康明斯 300 马力以下型号发动机车型 CUMMINS Engine Under 300 Horsepower		11-33
11-M	空气滤清器 IV AIR FILTER IV	康明斯发动机系列车型 CUMMINS Engine Series		11-37

图号 No. Of Figure	名称 Name	适用产品 Products Applied	备注 Remark	页次 Page
11-N	空气滤清器 V AIR FILTER V	所有斯太尔发动机及其它系列 300 马力以上发动机 All STEYR Engine And Other Series Engine Over 300 Horsepower		11-39
11-O	空气滤清器 VI AIR FILTER VI	所有斯太尔发动机及其它系列 300 马力以上发动机 All STEYR Engine And Other Series Engine Over 300 Horsepower		11-43
11-P	空气滤清器 VII AIR FILTER VII	WD615 系列发动机 WD615 Series Engine		11-47
11-Q	空气滤清器 VIII AIR FILTER VIII	WD12 及 WP10 系列发动机 WD12 Series Engine、WP10 Series Engine		11-49

## 12、排气系统 /EXHAUST SYSTEM

图号 No. Of Figure	名称 Name	适用产品 Products Applied	备注 Remark	页次 Page
12-A	发动机排气出口部件装置图 ENGINE EXHAUST OUTLET PARTS	Cummins 四桥车 CUMMINS 4-Axle Vehicle		12-1
12-B	排气系统支架预装图 EXHAUST SYSTEM BRACKET	轴距 1850+4000+1350 四桥车 Wheel Base 1850+4000+1350 4-Axle Vehicle		12-3
12-C	排气系统支架总装图 EXHAUST SYSTEM BRACKET	轴距 1850+4000+1350 四桥车 Wheel Base 1850+4000+1350 4-Axle Vehicle		12-5
12-D	排气系统支架预装图 EXHAUST SYSTEM BRACKET	轴距 1850+3370+1350 四桥车 Wheel Base 1850+3370+1350 4-Axle Vehicle		12-7
12-E	排气系统支架总装图 EXHAUST SYSTEM BRACKET	轴距 1850+3370+1350 四桥车 Wheel Base 1850+3370+1350 4-Axle Vehicle		12-9
12-F	排气系统支架预装图 EXHAUST SYSTEM BRACKET	轴距 1850+4605+1350 四桥车 Wheel Base 1850+4605+1350 4-Axle Vehicle		12-11
12-G	排气系统支架总装图 EXHAUST SYSTEM BRACKET	轴距 1850+4605+1350 四桥车 Wheel Base 1850+4605+1350 4-Axle Vehicle		12-13
12-H	排气管及消声器总成装置图 EXHAUST PIPE AND MUFFLER ASSEMBLY	四桥车 4-Axle Vehicle		12-15
12-I	排气管装置图 EXHAUST PIPE	Cummins 四桥车 CUMMINS 4-Axle Vehicle		12-17
12-J	排气管装置图 EXHAUST PIPE	Steyr 四桥车、STEYR 双前桥牵引车 STEYR 4-Axle Vehicle, STEYR Double Front Axle Tractor		12-19
12-K	消声器总成装配图 MUFFLER ASSEMBLY	牵引车 Tractor	新型式(方形消声器) New Type(Square Muffler)	12-21
12-L	消声器总成装配图 MUFFLER ASSEMBLY	非牵引车 Non-Tractor	新型式(方形消声器) New Type(Square Muffler)	12-23
12-M	排气管及消声器总成装配图 EXHAUST PIPE AND MUFFLER ASSEMBLY	重庆 Cummins 牵引车、C9 系列牵引车 CHONGQING CUMMINS Tractor, C9 Series Tractor	新型式(方形消声器) New Type(Square Muffler)	12-25
12-N	排气管及消声器总成装配图 EXHAUST PIPE AND MUFFLER ASSEMBLY	非牵引车 Non-Tractor	新型式(方形消声器) New Type(Square Muffler)	12-27

图号 No. Of Figure	名称 Name	适用产品 Products Applied	备注 Remark	页次 Page
12-O	排气管及消声器总成装配图 EXHAUST PIPE AND MUFFLER ASSEMBLY	Cummins 牵引车、ISLe 系列牵引车 CUMMINS Tractor,ISLe Seires Tractor	新型式（方形消声器） New Type(Square Muffler)	12-29
12-P	排气管及消声器总成装配图 EXHAUST PIPE AND MUFFLER ASSEMBLY	Steyr 牵引车 STEYR Tractor	新型式（方形消声器） New Type(Square Muffler)	12-31
12-Q	排气管装置图 EXHAUST PIPE	Steyr 非牵引车 STEYR Non-Tractor	新型式（方形消声器） New Type(Square Muffler)	12-33
12-R	排气管装置图 EXHAUST PIPE	重庆 Cummins 车型 CHONGQING CUMMINS Model	新型式（方形消声器） New Type(Square Muffler)	12-35
12-S	排气管装置图 EXHAUST PIPE	Cummins 牵引车 CUMMINS Tractor	新型式（方形消声器） New Type(Square Muffler)	12-39
12-T	排气管装置图 EXHAUST PIPE	Cummins 非牵引车 CUMMINS Non-Tractor	新型式（方形消声器） New Type(Square Muffler)	12-43
12-U	排气管装置图 EXHAUST PIPE	ISLe 系列牵引车 ISLE Serise Tractor		12-47
12-V	排气管装置图 EXHAUST PIPE	ISLe 系列非牵引车 ISLE Serise Non-Tractor		12-49
12-W	排气管装置图 EXHAUST PIPE	WP10 系列牵引车 WP10 Series Tractor		12-51
12-X	排气管装置图 EXHAUST PIPE	WP10 系列非牵引车 WP10 Series Non-Tractor		12-55
12-Y	排气系统支架预装图 EXHAUST SYSTEM BRACKET	STEYR 双前桥牵引车 STEYR Double Front Axle Tractor		12-57
12-Z	排气系统支架总装图 EXHAUST SYSTEM BRACKET	STEYR 双前桥牵引车 STEYR Double Front Axle Tractor		12-59
12-AA	排气管及消声器总成装置图 EXHAUST PIPE AND MUFFLER ASSEMBLY	STEYR 双前桥牵引车 STEYR Double Front Axle Tractor		12-61
12-AB	排气管装置图 EXHAUST PIPE	WD12 系列车型 WD12 Series Model		12-63
12-AC	排气管装置图 EXHAUST PIPE	C9 系列牵引车及 6×4 车型 C9 Series Tractor And 6×4 Model		12-67
12-AD	消声器排气管装置图 MUFFLER EXHAUST PIPE	Cummins 尾气预热自卸车 CUMMINS Offgas Preheating Dump Truck		12-69

### 13、冷却系统 /COOLING SYSTEM

图号 No. Of Figure	名称 Name	适用产品 Products Applied	备注 Remark	页次 Page
13-A	散热器和挡板组图 RADIATOR AND BAFFLE SET	C300、C260、C230		13-1
13-B	散热器悬置组图 RADIATOR MOUNTING SET	C300、C260、C230、6D24		13-3
13-C	散热器支撑组图 RADIATOR SUPPORT SET	C 系列 C Series		13-5
13-D	冷却水管组图 COOLING WATER PIPE SET	C 系列 C Series		13-7
13-E	冷却风扇组图 COOLING FAN SET	C 系列 C Series		13-9
13-F	风扇护风罩组图 FAN SHROUD SET	C 系列、6D24 C Series、6D24		13-11
13-G	冷却液膨胀箱组图 COOLANT EXPANSION TANK SET	C 系列 C Series		13-15
13-H	过渡水管组图 TRANSITION WATER PIPE SET	C 系列 C Series		13-17
13-I	副膨胀箱组图 SUB EXPANSION TANK SET	非欧款车型 Non Europe Model		13-21
13-J	增压中冷器组图 SUPERCHARGING INTERCOOLER SET	C 系列 C Series		13-25
13-K	散热器和中冷器组图 RADIATOR AND INTERCOOLER SET	L345、L375、C9-350HP、WP10 290、WP10 336、 WD12 336、WD12 375、WD615.38、P11C-UL、 P11C-UJ、M11-C350E 20、ISLe350 30		13-29
13-L	散热器支撑组图 RADIATOR SUPPORT SET			13-33
13-M	散热器固定组图 RADIATOR FIXING SET	L 系列、WD615.38、WD615.47 L Series, WD615.38, WD615.47		13-35

图号 No. Of Figure	名称 Name	适用产品 Products Applied	备注 Remark	页次 Page
13-N	冷却水管路组图 COOLING WATER AND AIR PIPELINE SET	M11-C350E 20、M11-C380E 20、L345、L375、 ISLe340 30、ISLe350 30、C9-350HP		13-37
13-O	发动机水气管路组图 ENGINE WATER AND AIR PIPELINE SET			13-43
13-P	冷却风扇组图 COOLING FAN SET	L345、L375、ISLe340 30、ISLe350 30		13-47
13-Q	冷却液膨胀箱组图 COOLANT EXPANSION TANK SET	L 系列、WD615 系列 L Series, WD615 Series		13-49
13-R	膨胀箱连接管组图 EXPANSION TANK CONNECTING PIPE SET	非 6M70 车型 Non 6M70 Model		13-51
13-S	过渡水管组图 TRANSITION WATER PIPE SET	L345、L375、ISLe340 30、ISLe350 30		13-53
13-T	冷却水气管路组图 COOLING WATER AND AIR PIPELINE SET	WP10 290、WP10 336、WD12.336、WD12.375、 WD615.38		13-55
13-U	过渡水管组图 TRANSITION WATER PIPE SET	WD615.38、WD615.34、WD615.46、WP10 290、 WP10 336、WD12.336、WD12.375、C9-350HP		13-59
13-V	散热器悬置组图 RADIATOR MOUNTING SET	WD615.44、WD615.50、WD615.56		13-63
13-W	散热器支撑组图 RADIATOR SUPPORT SET	WD615.44、WD615.50、WD615.56		13-65
13-X	冷却水管组图 COOLING WATER PIPE SET	WD615.44、WD615.50、WD615.56		13-67
13-Y	风扇导流罩组图 FAN DOME SET	WD615.44、WD615.50、WD615.56		13-69
13-Z	风扇护风罩组图 FAN SHROUD SET	WD615.44、WD615.50、WD615.56		13-73
13-AA	过渡水管组图 TRANSITION WATER PIPE SET	WD615.44、WD615.50、WD615.56		13-75



图号 No. Of Figure	名称 Name	适用产品 Products Applied	备注 Remark	页次 Page
13-AB	增压中冷器组图 SUPERCHARGING INTERCOOLER SET	WD615.44、WD615.50、WD615.56		13-79
13-AC	散热器和中冷器组图 RADIATOR AND INTERCOOLER SET	WD615.46、WD615.34		13-81
13-AD	散热器支撑组图 RADIATOR SUPPORT SET	WD615.46、WD615.34		13-83
13-AE	散热器固定组图 RADIATOR FIXING SET	WD615.46、WD615.34		13-85
13-AF	冷却水气管路组图 COOLING WATER AND AIR PIPELINE SET	WD615.46、WD615.34		13-87
13-AG	散热器和挡板组图 RADIATOR AND BAFFLE SET	C230、C325、WD615.56、WD615.50、WD615.44		13-89
13-AH	散热器悬置组图 RADIATOR MOUNTING SET	C325		13-91
13-AI	冷却风扇组 COOLING FAN SET	C9-350HP、M11-350E20		13-93
13-AJ	过渡水管组 TRANSITION WATER PIPE SET	M11-350E20		13-95
13-AK	散热器固定组 RADIATOR FIXING SET	YC6A240-20、YC6A260-20		13-97
13-AL	冷却水气管组 COOLING WATER AND AIR PIPELINE SET	YC6A240-20、YC6A260-20		13-99
13-AM	发动机水气管组 ENGINE WATER AND AIR PIPELINE SET	YC6A240-20、YC6A260-20		13-101
13-AN	过渡水管组 TRANSITION WATER PIPE SET	YC6A240-20、YC6A260-20		13-103
13-AO	散热器和中冷器组 RADIATOR AND INTERCOOLER SET	YC6A240-20、YC6A260-20		13-105

## 16、离合器及其操纵系统 /CLUTCH AND OPERATING SYSTEM

图号 No. Of Figure	名称 Name	适用产品 Products Applied	备注 Remark	页次 Page
16-A	离合器操纵装置图 CLUTCH OPERATING			16-1
16-B	离合器油路操纵装置图一 CLUTCH OIL CIRCUIT OPERATING I			16-5
16-C	离合器油路操纵装置图二 CLUTCH OIL CIRCUIT OPERATING II			16-7
16-D	离合器油路操纵装置图三 CLUTCH OIL CIRCUIT OPERATING III	国产动力系列 + 非 DC7J120TD 变速器 Domestic Engine Series+Non-DC7J120TD Transmission		16-11
16-E	离合器油路操纵装置图三 CLUTCH OIL CIRCUIT OPERATING III	国产动力系列 +DC7J120TD 变速器 Domestic Engine Series+DC7J120TD Transmission		16-13
16-F	FD430A 离合器装置图 FD430A CLUTCH	配康明斯 C 系列 350 马力以下发动机（非搅拌机） CUMMINS C Series Engine Under 350 Horsepower (Non-Mixer)		16-15
16-G	SACHS 离合器装置图 SACHS CLUTCH	ZF 变速器 ZF Transmission		16-17
16-H	FD430L30 离合器装置图 FD430L30 CLUTCH	国产 350 马力以上动力系列 Domestic Engine Series Over 350 Horsepower		16-19
16-I	右驾车型离合器油路操纵装置图一 CLUTCH OIL CIRCUIT OPERATING I OF RHD	右驾车型 RHD		16-21

## 17、变速器及其操纵系统 / TRANSMISSION AND THE CONTROL SYSTEM

图号 No. Of Figure	名称 Name	适用产品 Products Applied	备注 Remark	页次 Page
17-A	变速器和离合器壳体装置图 TRANSMISSION AND CLUTCH CASE			17-1
17-B	变速器和离合器壳体装置图 TRANSMISSION AND CLUTCH CASE			17-7
17-C	变速器和离合器壳体装置图 TRANSMISSION AND CLUTCH CASE			17-13
17-D	RT-11509C 变速器二轴总成 RT-11509C TRANSMISSION NO.2 SHAFT ASSEMBLY			17-19
17-E	RT-11509C 变速器左右中间轴总成 RT-11509C TRANSMISSION LEFT AND RIGHT COUNTERSHAFT ASSEMBLY			17-21
17-F	RT-11509C 变速器一轴总成 RT-11509C TRANSMISSION NO.1 SHAFT ASSEMBLY			17-25
17-G	RT-11509C 变速器倒档中间轴总成 RT-11509C TRANSMISSION REVERSE COUNTERSHAFT ASSEMBLY			17-27
17-H	RT-11509C 变速器上盖总成 RT-11509C TRANSMISSION UPPER COVER ASSEMBLY			17-29
17-I	RT-11509C 变速器操纵装置总成 RT-11509C TRANSMISSION CONTROL ASSEMBLY			17-35
17-J	RT-11509C 变速器空气滤清调节器总成 RT-11509C TRANSMISSION AIR FILTER REGULATOR ASSEMBLY			17-45
17-K	RT-11509C 变速器副箱驱动齿轮总成 RT-11509C TRANSMISSION ADDITIONAL GEARBOX DRIVE GEAR ASSEMBLY			17-47
17-L	RT-11509C 变速器副箱主轴总成 RT-11509C TRANSMISSION ADDITIONAL GEARBOX MAIN SPINDLE ASSEMBLY			17-49

图号 No. Of Figure	名称 Name	适用产品 Products Applied	备注 Remark	页次 Page
17-M	RT-11509C 变速器副箱左右中间轴 RT-11509C TRANSMISSION ADDITIONAL GEARBOX LEFT AND RIGHT COUNTERSHAFT			17-51
17-N	RT-11509C 变速器后盖总成 RT-11509C TRANSMISSION REAR COVER ASSEMBLY			17-53
17-O	RT-11509C 变速器副箱气缸总成 RT-11509C TRANSMISSION ADDITIONAL GEARBOX CYLINDER ASSEMBLY			17-57
17-P	RT-11509C 变速器中间轴制动器总成 RT-11509C TRANSMISSION COUNTERSHAFT BRAKE ASSEMBLY			17-61
17-Q	9JS119 变速器二轴总成 9JS119 TRANSMISSION NO.2 SHAFT ASSEMBLY			17-63
17-R	9JS119 变速器左右中间轴总成 9JS119 TRANSMISSION LEFT AND RIGHT COUNTERSHAFT ASSEMBLY			17-65
17-S	9JS119 变速器一轴总成 9JS119 TRANSMISSION NO.1 SHAFT ASSEMBLY			17-69
17-T	9JS119 变速器倒档中间轴总成 9JS119 TRANSMISSION REVERSE COUNTERSHAFT ASSEMBLY			17-71
17-U	9JS119 变速器上盖总成 9JS119 TRANSMISSION UPPER COVER ASSEMBLY			17-73
17-V	9JS119 变速器操纵装置总成 9JS119 TRANSMISSION CONTROL ASSEMBLY			17-79
17-W	9JS119 变速器空气滤清调节器总成 9JS119 TRANSMISSION AIR FILTER REGULATOR ASSEMBLY			17-89
17-X	9JS119 变速器副箱驱动齿轮总成 9JS119 TRANSMISSION ADDITIONAL GEARBOX DRIVE GEAR ASSEMBLY			17-91
17-Y	9JS119 变速器副箱主轴总成 9JS119 TRANSMISSION ADDITIONAL GEARBOX MAIN SPINDLE ASSEMBLY			17-93

图号 No. Of Figure	名称 Name	适用产品 Products Applied	备注 Remark	页次 Page
17-Z	9JS119 变速器副箱左右中间轴 9JS119 TRANSMISSION ADDITIONAL GEARBOX LEFT AND RIGHT COUNTERSHAFT			17-95
17-AA	9JS119 变速器后盖总成 9JS119 TRANSMISSION REAR COVER ASSEMBLY			17-97
17-AB	9JS119 变速器副箱气缸总成 9JS119 TRANSMISSION ADDITIONAL GEARBOX CYLINDER ASSEMBLY			17-101
17-AC	9JS119 变速器中间轴制动器总成 9JS119 TRANSMISSION COUNTERSHAFT BRAKE ASSEMBLY			17-105
17-AD	9JS150T-B 变速器二轴总成 9JS150T-B TRANSMISSION NO.2 SHAFT ASSEMBLY			17-107
17-AE	9JS150T-B 变速器左右中间轴总成 9JS150T-B TRANSMISSION LEFT AND RIGHT COUNTERSHAFT ASSEMBLY			17-109
17-AF	9JS150T-B 变速器一轴总成 9JS150T-B TRANSMISSION NO.1 SHAFT ASSEMBLY			17-113
17-AG	9JS150T-B 变速器倒档中间轴总成 9JS150T-B TRANSMISSION REVERSE COUNTERSHAFT ASSEMBLY			17-115
17-AH	9JS150T-B 变速器上盖总成 9JS150T-B TRANSMISSION UPPER COVER ASSEMBLY			17-117
17-AI	9JS150T-B 变速器操纵装置总成 9JS150T-B TRANSMISSION CONTROL ASSEMBLY			17-123
17-AJ	9JS150T-B 变速器空气滤清调节器总成 9JS150T-B TRANSMISSION AIR FILTER REGULATOR ASSEMBLY			17-133
17-AK	9JS150T-B 变速器副箱驱动齿轮总成 9JS150T-B TRANSMISSION ADDITIONAL GEARBOX DRIVE GEAR ASSEMBLY			17-135
17-AL	9JS150T-B 变速器副箱主轴总成 9JS150T-B TRANSMISSION ADDITIONAL GEARBOX MAIN SPINDLE ASSEMBLY			17-137

图号 No. Of Figure	名称 Name	适用产品 Products Applied	备注 Remark	页次 Page
17-AM	9JS150T-B 变速器副箱左右中间轴 9JS150T-B TRANSMISSION ADDITIONAL GEARBOX LEFT AND RIGHT COUNTERSHAFT			17-139
17-AN	9JS150T-B 变速器后盖总成 9JS150T-B TRANSMISSION REAR COVER ASSEMBLY			17-141
17-AO	9JS150T-B 变速器副箱气缸总成 9JS150T-B TRANSMISSION ADDITIONAL GEARBOX CYLINDER ASSEMBLY			17-145
17-AP	12JS160T 一轴总成 12JS160T NO.1 SHAFT ASSEMBLY			17-149
17-AQ	12JS160T 离合器和变速箱壳体总成 12JS160T CLUTCH AND TRANSMISSION CASE ASSEMBLY			17-151
17-AR	12JS160T 操纵装置总成 12JS160T CONTROL ASSEMBLY			17-157
17-AS	变速操纵装置图一 TRANSMISSION CONTROL I			17-167
17-AT	变速操纵装置图二 TRANSMISSION CONTROL II	国产动力系列 + 非大同变速器 Domestic Engine Series+Non-Datong Transmission		17-171
17-AU	变速操纵装置图二 TRANSMISSION CONTROL II	国产动力系列 + 大同变速器 Domestic Engine Series+Datong Transmission		17-177
17-AV	右驾车型变速器操纵装置图一 TRANSMISSION CONTROL I OF RHD	右驾车型 RHD		17-181
17-AW	选、换挡继动摇臂及支架总成 I SELECTION AND SHIFT RELAY ROCKER ARM AND BRACKET ASSEMBLY I	国产动力系列 + 非大同变速器 Domestic Engine Series+Non-Datong Transmission		17-185
17-AX	选、换挡继动摇臂及支架总成 I SELECTION AND SHIFT RELAY ROCKER ARM AND BRACKET ASSEMBLY I	国产动力系列 + 非大同变速器 Domestic Engine Series+Non-Datong Transmission		17-189
17-AY	选档摇臂总成 II、换挡摇臂总成 II SELECTION ROCKER ARM ASSEMBLY II , SHIFT ROCKER ARM ASSEMBLY II	国产动力系列 + 大同变速器 Domestic Engine Series+Datong Transmission		17-193

图号 No. Of Figure	名称 Name	适用产品 Products Applied	备注 Remark	页次 Page
17-AZ	选档摇臂总成 II、换挡摇臂总成 II SELECTION ROCKER ARM ASSEMBLY II , SHIFT ROCKER ARM ASSEMBLY II	国产动力系列 + 非大同变速器 Domestic Engine Series+Non-Datong Transmission		17-195
17-BA	变速器操纵装置图三 TRANSMISSION CONTROL III	国产动力系列 + 大同变速器 Domestic Engine Series+Datong Transmission		17-199
17-BB	变速器操纵装置图三 TRANSMISSION CONTROL III	国产动力系列 + 大同变速器 Domestic Engine Series+Datong Transmission		17-205
17-BC	变速器悬置图一 TRANSMISSION SUSPENSION I	康明斯、斯太尔、日野车型 CUMMINS、STYER、HINO Models		17-207

## 22、传动轴系统 /PROPELLER SHAFT SYSTEM

图号 No. Of Figure	名称 Name	适用产品 Products Applied	备注 Remark	页次 Page
22-A	中、后桥间传动轴装置图 I PROPELLER SHAFT BETWEEN INTERMEDIATE AXLE AND REAR AXLE I	435 或 457 桥的所有车型 All Models With 435-Axle Or 457-Axle	中后桥轴距 1310mm Model W/Wheel Base Between Intermediate Axle And Rear Axle 1310mm	22-1
22-B	中、后桥间传动轴装置图 II PROPELLER SHAFT BETWEEN INTERMEDIATE AXLE AND REAR AXLE II	斯泰尔桥的所有车型 All Models Of STEYR Axle	中后桥轴距 1310mm Model W/Wheel Base Between Intermediate Axle And Rear Axle 1310mm	22-3
22-C	中、后桥间传动轴装置图 III PROPELLER SHAFT BETWEEN INTERMEDIATE AXLE AND REAR AXLE III	加宽双后桥 Widened Dual Rear Axle	中后桥轴距 1350mm/1450mm Model W/Wheel Base Between Intermediate Axle And Rear Axle 1350mm/1450mm	22-5
22-D	单后桥传动轴装置图 SINGLE REAR AXLE PROPELLER SHAFT	单后桥车型 Single Rear Axle Model	轴距 3400mm Wheel Base 3400mm	22-7
22-E	中桥传动轴装置图 I INTERMEDIATE AXLE PROPELLER SHAFT I	所有车型 All Models	中桥传动轴有一根 One Intermediate Axle Propeller Shaft	22-9
22-F	中桥传动轴装置图 II INTERMEDIATE AXLE PROPELLER SHAFT II	所有车型 All Models	中桥传动轴有两根 Two Intermediate Axle Propeller Shafts	22-31
22-G	中桥传动轴装置图 III INTERMEDIATE AXLE PROPELLER SHAFT III	所有车型 All Models	中桥传动轴有三根 Three Intermediate Axle Propeller Shafts	22-67
22-H	后桥传动轴内部结构装置图 I REAR AXLE PROPELLER SHAFT INNER STRUCTURE I	2201AD-410	止口定位 Ring Ridge Locating	22-113
22-I	后桥传动轴内部结构装置图 II REAR AXLE PROPELLER SHAFT INNER STRUCTURE II	2201AD-010	止口定位 Ring Ridge Locating	22-115
22-J	中桥传动轴内部结构装置图 I INTERMEDIATE AXLE PROPELLER SHAFT INNER STRUCTURE I	13000N.m	端面齿定位 contrate Gear Locating	22-117
22-K	中桥传动轴内部结构装置图 II INTERMEDIATE AXLE PROPELLER SHAFT INNER STRUCTURE II	13000N.m	端面齿定位 contrate Gear Locating	22-119
22-L	中间传动轴内部结构装置图 I MIDDLE PROPELLER SHAFT INNER STRUCTURE I	15000N.m	端面齿定位 contrate Gear Locating	22-121
22-M	中间传动轴内部结构装置图 II MIDDLE PROPELLER SHAFT INNER STRUCTURE II	15000N.m	端面齿定位 contrate Gear Locating	22-123



## 24、后桥系统 /REAR AXLE SYSTEM

图号 No. Of Figure	名称 Name	适用产品 Products Applied	备注 Remark	页次 Page
24-A	斯太尔驱动后桥桥壳装置图 STEYR DRIVE REAR AXLE CASE	斯太尔驱动桥车型 STEYR Drive Axle Model		24-1
24-B	斯太尔驱动后桥驱动装置装置图 STEYR DRIVE REAR AXLE DRIVE UNIT	斯太尔驱动桥车型 STEYR Drive Axle Model		24-7
24-C	斯太尔后桥轮边行星减速器 I 装置图 STEYR REAR AXLE HUB PLANETARY REDUCER I	斯太尔驱动桥车型 STEYR Drive Axle Model		24-19
24-D	斯太尔后桥轮边行星减速器 II 装置图 STEYR REAR AXLE HUB PLANETARY REDUCER II	斯太尔驱动桥车型 STEYR Drive Axle Model		24-23
24-E	斯太尔驱动后桥制动器 I 装置图 STEYR DRIVE REAR AXLE BRAKE I	斯太尔驱动桥车型 STEYR Drive Axle Model		24-29
24-F	斯太尔驱动后桥制动器 II 装置图 STEYR DRIVE REAR AXLE BRAKE II	斯太尔驱动桥车型 STEYR Drive Axle Model		24-33
24-G	457 单桥后轮毂及制动鼓总成装置图 457 SINGLE AXLE REAR HUB AND BRAKE DRUM ASSEMBLY	457 单后桥 457-Single Rear Axle		24-37
24-H	457 单桥制动器总成装置图 457 SINGLE AXLE BRAKE ASSEMBLY	457 单后桥 457-Single Rear Axle		24-41
24-I	457 单桥主减速器总成装置图 457 SINGLE AXLE MAIN REDUCER ASSEMBLY	457 单后桥 457-Single Rear Axle		24-47
24-J	457 单后桥总成装置图 457 SINGLE REAR AXLE ASSEMBLY	457 单后桥 457-Single Rear Axle		24-53
24-K	457-6X4 后桥总成 457-6X4 REAR AXLE ASSEMBLY	457 双后桥 457-Dual Rear Axle		24-59
24-L	457-6X4 后桥减速器总成 457-6X4 REAR AXLE REDUCER ASSEMBLY	457 双后桥 457-Dual Rear Axle		24-65

图号 No. Of Figure	名称 Name	适用产品 Products Applied	备注 Remark	页次 Page
24-M	457-6X4 后桥制动器总成 457-6X4 REAR AXLE BRAKE ASSEMBLY	457 双后桥 457-Dual Rear Axle		24-75
24-N	457-6X4 后桥制动鼓总成 457-6X4 REAR AXLE BRAKE DRUM ASSEMBLY	457 双后桥 457-Dual Rear Axle		24-81

## 25、中桥系统 /INTERMEDIATE AXLE

图号 No. Of Figure	名称 Name	适用产品 Products Applied	备注 Remark	页次 Page
25-A	斯太尔驱动中桥桥壳装置图 STEYR DRIVE INTERMEDIATE AXLE CASE	斯太尔双后桥车型 STEYR Dual Rear Axle		25-1
25-B	斯太尔驱动中桥驱动装置 I 装置图 STEYR DRIVE INTERMEDIATE AXLE DRIVE DEVICE I	斯太尔双后桥车型 STEYR Dual Rear Axle		25-11
25-C	斯太尔驱动中桥驱动装置 II 装置图 STEYR DRIVE INTERMEDIATE AXLE DRIVE DEVICE II	斯太尔双后桥车型 STEYR Dual Rear Axle		25-19
25-D	斯太尔驱动中桥驱动装置 III 装置图 STEYR DRIVE INTERMEDIATE AXLE DRIVE DEVICE III	斯太尔双后桥车型 STEYR Dual Rear Axle		25-25
25-E	斯太尔驱动中桥制动器 I 装置图 STEYR DRIVE INTERMEDIATE AXLE BRAKE I	斯太尔双后桥车型 STEYR Dual Rear Axle		25-31
25-F	斯太尔驱动中桥制动器 II 装置图 STEYR DRIVE INTERMEDIATE AXLE BRAKE II	斯太尔双后桥车型 STEYR Dual Rear Axle		25-35
25-G	457 中桥减速与桥壳总成 457 INTERMEDIATE AXLE REDUCER AND CASE ASSEMBLY	457 双后桥车型 457-Dual Rear Axle		25-39
25-H	457-6X4 中桥制动器 457-6X4 INTERMEDIATE AXLE BRAKE	457 双后桥车型 457-Dual Rear Axle		25-57
25-I	457-6X4 制动鼓总成 457-6X4 BRAKE DRUM ASSEMBLY	457 双后桥车型 457-Dual Rear Axle		25-63

## 28、车架系统 /FRAME SYSTEM

图号 No. Of Figure	名称 Name	适用产品 Products Applied	备注 Remark	页次 Page
28-A	保险杠装配图 BUMPER			28-1
28-B	窄体保险杠装配图 NARROW CAB BUMPER	窄体系列 Narrow Cab Series		28-5
28-C	欧款系列保险杠装配图 EUROPE BUMPER	欧款系列 Europe Series		28-7
28-D	28A4D 车架爆炸图 28A4D FRAME		3600 + 1350	28-11
28-E	28A4DZ2 车架爆炸图 28A4DZ2 FRAME		4100 + 1350	28-17
28-F	28A4DZ12 车架爆炸图 28A4DZ12 FRAME		4400 + 1350	28-23
28-G	28A4Q15 车架总成爆炸图 28A4Q15 FRAME ASSEMBLY		3200 + 1350	28-29
28-H	28A4DQ1 车架总成爆炸图 28A4DQ1 FRAME ASSEMBLY		3400	28-35
28-I	28A4DP 车架爆炸图 28A4DP FRAME		4710 + 1350	28-41
28-J	28A4DP1 车架爆炸图 28A4DP1 FRAME		5220 + 1350	28-47
28-K	28A4DP3 车架爆炸图 28A4DP3 FRAME		1850 + 4605 + 1350	28-53
28-L	28A4DP4 车架爆炸图 28A4DP4 FRAME		1850 + 3370 + 1350	28-59

图号 No. Of Figure	名称 Name	适用产品 Products Applied	备注 Remark	页次 Page
28-M	28A4DP5 车架爆炸图 28A4DP5 FRAME		1850 + 4000 + 1350	28-65
28-N	28A4DP9 车架爆炸图 28A4DP9 FRAME		5850 + 1350	28-71
28-O	28A4DP10 车架爆炸图 28A4DP10 FRAME		1850 + 5310	28-77
28-P	28A4DZ4 车架爆炸图 28A4DZ4 FRAME		1850 + 3370 + 1350	28-83
28-Q	第一横梁总成装配图 FIRST CROSS MEMBER ASSEMBLY			28-89
28-R	28AD 第二横梁总成装配图 28AD SECOND CROSS MEMBER ASSEMBLY			28-91
28-S	28A2D 第二横梁总成装配图 28A2D SECOND CROSS MEMBER ASSEMBLY			28-93
28-T	28A3D 第二横梁总成装配图 28A3D SECONG CROSS MEMBER ASSEMBLY			28-95
28-U	28A4D 第二横梁装配图 28A4D SECOND CROSS MEMBER			28-97
28-V	左右支架总成—第三横梁装配图 LEFT AND RIGHT BRACKET ASSEMBLY-THIRD CROSS MEMBER			28-99
28-W	第三横梁左右总成装配图 THIRD CROSS MEMBER ASSEMBLY		斯太尔动力 STEYR Engine	28-101
28-X	第三横梁左右总成装配图 THIRD CROSS MEMBER LEFT AND RIGHT ASSEMBLY		康明斯动力 CUMMINS Engine	28-103
28-Y	第四横梁总成装配图 FOURTH CROSS MEMBER ASSEMBLYL			28-105
28-Z	28A4DP5 第四横梁总成装配图 28A4DP5 FOURTH CROSS MEMBER ASSEMBLY			28-107

图号 No. Of Figure	名称 Name	适用产品 Products Applied	备注 Remark	页次 Page
28-AA	第五横梁总成装配图 FIFTH CROSS MEMBER ASSEMBLY			28-109
28-AB	28AP 第五横梁总成装配图 28AP FIFTH CROSS MEMBER ASSEMBLY			28-111
28-AC	28ADP7 第五横梁总成装配图 28ADP7 FIFTH CROSS MEMBER ASSEMBLY			28-113
28-AD	28A4DP8 传动轴中间支撑横梁总成装配图 28A4DP8 PROPELLER SHAFT CENTER SUPPORT CROSS MEMBER ASSEMBLY			28-115
28-AE	28AP 第六横梁总成装配图 28AP SIXTH CROSS MEMBER ASSEMBLY			28-117
28-AF	28A 第六横梁装配图 28A SIXTH CROSS MEMBER			28-119
28-AG	28AZ 第六横梁装配图 28AZ SIXTH CROSS MEMBER			28-121
28-AH	28ADQ 第六横梁装配图 28ADQ SIXTH CROSS MEMBER			28-123
28-AI	28AD 第七横梁装配图 28AD SEVENTH CROSS MEMBER			28-125
28-AJ	28AP 第八横梁总成装配图 28AP EIGHTH CROSS MEMBER ASSEMBLY			28-127
28-AK	28AH4D 左右纵梁装配图 28AH4D LEFT AND RIGHT SIDE MEMBER			28-129
28-AL	28A4DZ2 左右纵梁装配图 28A4DZ2 LEFT AND RIGHT SIDE MEMBER			28-135
28-AM	28A4DZ12 左右纵梁装配图 28A4DZ12 LEFT AND RIGHT SIDE MEMBER			28-141
28-AN	28A4DQ15 左右纵梁装配图 28A4DQ15 LEFT AND RIGHT SIDE MEMBER			28-147

图号 No. Of Figure	名称 Name	适用产品 Products Applied	备注 Remark	页次 Page
28-AO	28AH4DQ1 左右纵梁装配图 28AH4DQ1 LEFT AND RIGHT SIDE MEMBER			28-153
28-AP	28AH4DP 左右纵梁装配图 28AH4DP LEFT AND RIGHT SIDE MEMBER			28-157
28-AQ	28AH4DP1 左右纵梁装配图 28AH4DP1 LEFT AND RIGHT SIDE MEMBER			28-163
28-AR	28AH4DP9 左右纵梁装配图 28AH4DP9 LEFT AND RIGHT SIDE MEMBER			28-169
28-AS	28AH4DP3 左右纵梁装配图 28AH4DP3 LEFT AND RIGHT SIDE MEMBER			28-175
28-AT	28AH4DP4 左右纵梁装配图 28AH4DP4 LEFT AND RIGHT SIDE MEMBER			28-181
28-AU	28AH4DP5 左右纵梁装配图 28AH4DP5 LEFT AND RIGHT SIDE MEMBER			28-187
28-AV	28AH4DP10 左右纵梁装配图 28AH4DP10 LEFT AND RIGHT SIDE MEMBER			28-193
28-AW	28AH4DZ4 左右纵梁装配图 28AH4DZ4 LEFT AND RIGHT SIDE MEMBER			28-197
28-AX	28A 第二横梁装配图 28A SECOND CROSS MEMBER			28-203
28-AY	左右支架 - 第三横梁装配图 LEFT AND RIGHT BRACKET-THIRD CROSS MEMBER			28-205
28-AZ	第四横梁装配图 FOURTH CROSS MEMBER			28-207
28-BA	28A4DP5 第四横梁装配图 28A4DP5 FOURTH CROSS MEMBER			28-209
28-BB	第五横梁装配图 FIFTH CROSS MEMBER			28-211

图号 No. Of Figure	名称 Name	适用产品 Products Applied	备注 Remark	页次 Page
28-BC	28AP 传动轴中间支撑横梁图 28AP PROPELLER SHAFT CENTER SUPPORT CROSS MEMBER			28-213
28-BD	28ADP7 第五横梁装配图 28ADP7 FIFTH CROSS MEMBER			28-215
28-BE	28A4DP8 传动轴中间支撑横梁装配图 28A4DP8 PROPELLER SHAFT CENTER SUPPORT CROSS MEMBER			28-217
28-BF	28AP 第六横梁装配图 28AP SIXTH CROSS MEMBER			28-219
28-BG	拖钩装置图 TOWING HOOK			28-221



## 29、悬架系统 /SUSPENSION SYSTEM

图号 No. Of Figure	名称 Name	适用产品 Products Applied	备注 Remark	页次 Page
29-A	前板簧吊耳座装置图 I FRONT LEAF SPRING SHACKLE SEAT I	康明斯发动机系列车型 CUMMINS Engine Series	车架左侧 Left Side Of The Frame	29-1
29-B	前板簧吊耳座装置图 II FRONT LEAF SPRING SHACKLE SEAT II	康明斯发动机系列车型 CUMMINS Engine Series	车架右侧 Right Side Of The Frame	29-3
29-C	前板簧吊耳座装置图 III FRONT LEAF SPRING SHACKLE SEAT III	斯泰尔发动机系列车型 STEYR Engine Series	车架左侧 Left Side Of The Frame	29-5
29-D	前板簧吊耳座装置图 IV FRONT LEAF SPRING SHACKLE SEAT IV	斯泰尔发动机系列车型 STEYR Engine Series	车架右侧 Right Side Of The Frame	29-7
29-E	前板簧吊耳装置图 FRONT LEAF SPRING SHACKLE	康明斯、斯泰尔发动机系列车型 CUMMINS, STEYR Engine Series	左右对称 Left And Right Are Symetrical	29-9
29-F	四桥车前板簧支架装置图 I 4-AXLE VEHICLE FRONT LEAF SPRING BRACKET I	所有四桥车型 All 4-Axle Vehicle	左右对称 Left And Right Are Symetrical	29-11
29-G	四桥车前板簧支架装置图 II 4-AXLE VEHICLE FRONT LEAF SPRING BRACKET II	所有四桥车型 All 4-Axle Vehicle	左右对称 Left And Right Are Symetrical	29-13
29-H	四桥车限位块挡块装置图 I 4-AXLE VEHICLE LIMITING STOPPER I	所有四桥车型 All 4-Axle Vehicle	车架右侧 Right Side Of The Frame	29-15
29-I	四桥车限位块挡块装置图 II 4-AXLE VEHICLE LIMITING STOPPER II	所有四桥车型 All 4-Axle Vehicle	车架左侧 Left Side Of The Frame	29-17
29-J	减震器装置图 SHOCK ABSORBER	所有非四桥车型 All Non 4-Axle Vehicle	左右对称 Left And Right Are Symetrical	29-19
29-K	四桥车减震器装置图 I 4-AXLE VEHICLE SHOCK ABSORBER I	所有四桥车型 All 4-Axle Vehicle	左右对称 Left And Right Are Symetrical	29-21
29-L	四桥车减震器装置图 II 4-AXLE VEHICLE SHOCK ABSORBER II	所有四桥车型 All 4-Axle Vehicle	左右对称 Left And Right Are Symetrical	29-23

图号 No. Of Figure	名称 Name	适用产品 Products Applied	备注 Remark	页次 Page
29-M	平衡轴装置图 I TRUNNION SHAFT I	中、后桥轴距 1310mm 车型 Model W/Wheel Base Between Intermediate Axle And Rear Axle 1310mm	五十铃结构 ISUZU Structure	29-25
29-N	平衡轴装置图 II TRUNNION SHAFT II	中、后桥轴距 1350mm 车型 Model W/Wheel Base Between Intermediate Axle And Rear Axle 1350mm	三菱结构 Mitsubishi Structure	29-27
29-O	板簧挡块装置图 I LEAF SPRING STOPPER I	板簧中心距 1002mm 车型 Model W/Leaf Spring Centre Distance 1002mm	左右对称 Left And Right Are Symetrical	29-29
29-P	板簧挡块装置图 II LEAF SPRING STOPPER II	板簧中心距 1040mm 车型 Model W/Leaf Spring Centre Distance 1040mm	左右对称 Left And Right Are Symetrical	29-31
29-Q	后板簧装置图 I REAR LEAF SPRING I	中、后桥轴距 1310mm 车型 Model W/Wheel Base Between Intermediate Axle And Rear Axle 1310mm	左右对称 Left And Right Are Symetrical	29-33
29-R	后板簧装置图 II REAR LEAF SPRING II	中、后桥轴距 1310mm 车型 Model W/Wheel Base Between Intermediate Axle And Rear Axle 1310mm	左右对称 Left And Right Are Symetrical	29-35
29-S	后板簧装置图 III REAR LEAF SPRING III	中、后桥轴距 1310mm 车型 Model W/Wheel Base Between Intermediate Axle And Rear Axle 1310mm	左右对称 Left And Right Are Symetrical	29-37
29-T	后板簧装置图 IV REAR LEAF SPRING IV	中、后桥轴距 1350mm 车型 Model W/Wheel Base Between Intermediate Axle And Rear Axle 1350mm	左右对称 Left And Right Are Symetrical	29-39
29-U	前板簧装置图 I FRONT LEAF SPRING I	所有非四桥车型 All Non 4-Axle Vehicle	车架左侧 Left Side Of The Frame	29-41
29-V	前板簧装置图 II FRONT LEAF SPRING II	所有非四桥车型 All Non 4-Axle Vehicle	车架右侧 Right Side Of The Frame	29-43
29-W	前板簧装置图 III FRONT LEAF SPRING III	所有非四桥车型 All Non 4-Axle Vehicle	左右对称 Left And Right Are Symetrical	29-45
29-X	四桥车前板簧装置图 I 4-AXLE VEHICLE FRONT LEAF SPRING I	所有四桥车型 All 4-Axle Vehicle	车架左侧 Left Side Of The Frame	29-47
29-Y	四桥车前板簧装置图 II 4-AXLE VEHICLE FRONT LEAF SPRING II	所有四桥车型 All 4-Axle Vehicle	车架右侧 Right Side Of The Frame	29-49

图号 No. Of Figure	名称 Name	适用产品 Products Applied	备注 Remark	页次 Page
29-Z	四桥车前板簧装置图III 4-AXLE VEHICLE FRONT LEAF SPRING III	所有四桥车型 All 4-Axle Vehicle	左右对称 Left And Right Are Symetrical	29-51
29-AA	单桥后悬架装置图 SINGLE AXLE REAR SUSPENSION	单后桥车型 Single Rear Axle Model	左右对称 Left And Right Are Symetrical	29-53
29-AB	推力杆装置图 I DISTANCE ROD I	中、后桥轴距 1310mm 车型 Model W/Wheel Base Between Intermediate Axle And Rear Axle 1310mm	五十铃结构平衡轴 ISUZU Structure Trunnion Shaft	29-57
29-AC	推力杆装置图 II DISTANCE ROD II	中、后桥轴距 1350mm 车型 Model W/Wheel Base Between Intermediate Axle And Rear Axle 1350mm	三菱结构平衡轴 Mitsubishi Structure Trunnion Shaft	29-81
29-AD	推力杆装置图III DISTANCE ROD III	中、后桥轴距 1310mm 车型 Model W/Wheel Base Between Intermediate Axle And Rear Axle 1310mm	五十铃结构平衡轴 ISUZU Structure Trunnion Shaft	29-87
29-AE	推力杆装置图 IV DISTANCE ROD IV	中、后桥轴距 1350mm 车型 Model W/Wheel Base Between Intermediate Axle And Rear Axle 1350mm	三菱结构平衡轴 Mitsubishi Structure Trunnion Shaft	29-91
29-AF	限位块装置图 I LIMITING STOPPER I	中、后桥轴距 1310mm 车型 Model W/Wheel Base Between Intermediate Axle And Rear Axle 1310mm	五十铃结构平衡轴 ISUZU Structure Trunnion Shaft	29-95
29-AG	限位块装置图 II LIMITING STOPPER II	中、后桥轴距 1350mm 车型 Model W/Wheel Base Between Intermediate Axle And Rear Axle 1350mm	三菱结构平衡轴 Mitsubishi Structure Trunnion Shaft	29-97

### 30、前轴系统 /FRONT AXLE SYSTEM

图号 No. Of Figure	名称 Name	适用产品 Products Applied	备注 Remark	页次 Page
30-A	解放前轴前桥管路图 JIEFANG FRONT AXLE LINE			30-1
30-B	解放前轴展开图 JIEFANG FRONT AXLE			30-3
30-C	解放前轴展开图 JIEFANG FRONT AXLE			30-9
30-D	解放前轴展开图 JIEFANG FRONT AXLE			30-15
30-E	泰州前轴展开图 TAIZHOU FRONT AXLE			30-19
30-F	泰州前轴轮毂展开图 TAIZHOU FRONT AXLE HUB			30-25
30-G	泰州前轴制动器展开图 TAIZHOU FRONT AXLE BRAKE			30-29

### 31、车轮及轮毂系统 /WHEEL AND HUB SYSTEM

图号 No. Of Figure	名称 Name	适用产品 Products Applied	备注 Remark	页次 Page
31-A	双后桥车型轮胎装置图 DUAL REAR AXLE MODEL TIRE			31-1
31-B	单后桥车型轮胎装置图 SINGLE REAR AXLE MODEL TIRE			31-3
31-C	轮胎装置图 I TIRE I			31-5
31-D	轮胎装置图 II TIRE II			31-7
31-E	备胎架及其升降机构 I SPARE-TIRE CARRIER AND ITS LIFT MECHANISM I	1850 + 3370/4000/4605 + 1350 货车 1850 + 3370/4000/4605 + 1350 Truck	5850 + 1350/5220 + 1350/4710 + 1350 轴距货车 Truck W/Wheel Base 5850 + 1350/5220 + 1350/4710 + 1350	31-9
31-F	备胎架及其升降机构 II SPARE-TIRE CARRIER AND ITS LIFT MECHANISM II	3600/4100/4400 + 1350、1850 + 3370 + 1350 搅 拌及自卸车、1850 + 4000 + 1350 自卸车 3600/4100/4400 + 1350、1850 + 3370 + 1350 Mixer And Dump Truck,1850 + 4000 + 1350 Dump Truck		31-11

### 34、转向系统 /STEERING SYSTEM

图号 No. Of Figure	名称 Name	适用产品 Products Applied	备注 Remark	页次 Page
34-A	转向直拉杆和转向垂臂图 STEERING DRAG LINK AND STEERING DROP ARM			34-1
34-B	3401AD-010 转向器展开图 3401AD-010 STEERING GEAR			34-5
34-C	3401AD-010-B 转向器展开图 3401AD-010-B STEERING GEAR			34-11
34-D	转向管柱图 STEERING COLUMN			34-17
34-E	转向直拉杆和垂臂图 STEERING DRAG LINK AND STEERING DROP ARM			34-23
34-F	中间臂支架及垂臂图 MIDDLE ARM BRACKET AND DROP ARM			34-27
34-G	转向器连转向管柱图 STEERING GEAR CONNECTING STEERING COLUMN			34-29
34-H	转向油管连转向油泵图 STEERING OIL PIPE CONNECTING STEERING OIL PUMP			34-31
34-I	转向油管图 STEERING OIL PIPE			34-33
34-J	右驾转向直拉杆和转向垂臂图 STEERING DRAG LINK AND STEERING DROP ARM OF RHD			34-35
34-K	右驾转向器展开图 STEERING GEAR OF RHD			34-39

### 35、制动系统 /BRAKE SYSTEM

图号 No. Of Figure	名称 Name	适用产品 Products Applied	备注 Remark	页次 Page
35-A	驾驶室部分制动系统装置图 BRAKE SYSTEM IN CAB			35-1
35-B	储气筒装置图 AIR RESERVOIR			35-9
35-C	储气筒安装总成图 AIR RESERVOIR INSTALLATION			35-15
35-D	四桥车制动原理图 4-AXLE VEHICLE BRAKE	四桥车 4-Axle Vehicle		35-19
35-E	6×4 系列底盘制动原理图 (A 型) 6×4 SERIES CHASSIS BRAKE(A TYPE)	斯太尔系列 STEYR Series		35-23
35-F	6×4 系列底盘制动原理图 (B 型) 6×4 SERIES CHASSIS BRAKE(B TYPE)	搅拌、自卸、货车 Mixer, Dump Truck, Truck		35-27
35-G	双后桥装配图 (NO ABS) DUAL REAR AXLE (W/O ABS)			35-31
35-H	双后桥预装配图 (配 ABS) DUAL REAR AXLE(W/ABS)			35-33
35-I	单后桥预装配图 (NO ABS) SINGLE REAR AXLE(W/O ABS)			35-35
35-J	单后桥预装配图 (配 ABS) SINGLE REAR AXLE(W/ ABS)			35-37
35-K	挂车阀及螺旋管预装图 TRAILER BRAKE VALVE AND SPIRAL TUBE	牵引车 Tractor		35-39
35-L	6×4 牵引车制动原理图 6×4 TRACTOR BRAKE			35-43

图号 No. Of Figure	名称 Name	适用产品 Products Applied	备注 Remark	页次 Page
35-M	4×2 牵引车制动原理图 4×2 TRACTOR BRAKE			35-49
35-N	空压机系统预装图 AIR COMPRESSOR SYSTEM			35-53
35-O	气源连接图 AIR SOURCE			35-59
35-P	辅助用气原理图 AIDED AIR THEORY			35-63
35-Q	右驾驶室部分制动系统装置图 BRAKE SYSTEM IN CAB OF RHD	右驾车型 RHD		35-67



### 36、电子装置系统 /ELECTRIC DEVICE SYSTEM

图号 No. Of Figure	名称 Name	适用产品 Products Applied	备注 Remark	页次 Page
36-A	车速, 闪光, 多功能控制器装置图 VEHICLE SPEED,FLASHER,MULTI-CONTROLLER			36-1
36-B	脉冲分配器装置图 PULSE DISTRIBUTOR			36-3
36-C	电动门窗控制装置图 POWER WINDOW CONTROLLER			36-5
36-D	水位传感器, 燃油液位传感器 WATER LEVEL SENSOR,FUEL LEVEL SENSOR			36-7
36-E	气压传感器 AIR PRESSURE SENSOR			36-9
36-F	油门传感器, 车速传感器 THROTTLE SENSOR, SPEED SENSOR			36-11
36-G	ABS 控制器 ABS CONTROLLER	康明斯发动机系列 CUMMINS Engine Series		36-13
36-H	ABS 控制器 ABS CONTROLLER	斯太尔发动机系列 STEYR Engine Series		36-17
36-I	车速传感器、机油压力传感器、水温传感器 SPEED SENSOR, OIL PRESSURE SENSOR, WATER TEMPERATURE SENSOR			36-19

### 37、电气设备系统 /ELECTRIC EQUIPMENT SYSTEM

图号 No. Of Figure	名称 Name	适用产品 Products Applied	备注 Remark	页次 Page
37-A	翘板开关装置图 I PADDLE SWITCH I			37-1
37-B	翘板开关装置图 II PADDLE SWITCH II			37-3
37-C	翘板开关装置图 III PADDLE SWITCH III			37-7
37-D	蓄电池框装置图 BATTERY FRAME			37-9
37-E	蓄电池框支架图 BATTERY FRAME BRACKET			37-13
37-F	蓄电池框挡板装置图 BATTERY FRAME BAFFLE			37-15
37-G	大电流保险丝盒装置图 HIGH CURRENT FUSE BOX			37-17
37-H	大电流保险丝盒座 HIGH CURRENT FUSE BOX BASE			37-19
37-I	主电源继电器, 起动继电器装置图 PRIMARY POWER SUPPLY RELAY, STARTER RELAY			37-21
37-J	音响总成 AUDIO ASSEMBLY			37-23
37-K	电、气喇叭, 蜂鸣器装置 ELECTRIC HORN, AIR HORN, BUZZER			37-25
37-L	车尾灯, 蜂鸣器装置 TAILLAMP, BUZZER			37-27

图号 No. Of Figure	名称 Name	适用产品 Products Applied	备注 Remark	页次 Page
37-M	车尾灯, 蜂鸣器装置 TAILLAMP, BUZZER			37-31
37-N	示廓灯, 车速灯 CLEARANCE LIGHT, SPEED LIGHT			37-33
37-O	侧转向灯, 踏步灯装置 SIDE TURN LIGHT, STEP LAMP			37-35
37-P	前组合灯, 雾灯 FRONT COMBINATION LIGHT, FOG LIGHT			37-37
37-Q	室内荧光灯, 阅读灯 (平顶车) INDOOR FLUORESCENT LAMP, READING LAMP ( FLAT ROOF VEHICLE)			37-43
37-R	点烟器装置 CIGAR LIGHTER			37-45
37-S	进气加热器指示器总成 INTAKE HEATER INDICATOR ASSEMBLY			37-47
37-T	组合开关, 点火锁装置 COMBINATION SWITCH, IGNITION LOCK			37-49
37-U	熄火电机, 龙门架线束, 空气滤清传感器 ENGINE STOP MOTOR, GANTRY WIRE HARNESS, AIR FILTER SENSOR			37-51
37-V	雨刮器总成 WIPER ASSEMBLY			37-53
37-W	ABS 七孔插座 ABS 7-JACK SOCKET			37-55
37-X	预热继电器 PRE-HEATING RELAY			37-57
37-Y	继电器盒装置 RELAY BOX			37-59
37-Z	保险丝盒 FUSE BOX			37-63

图号 No. Of Figure	名称 Name	适用产品 Products Applied	备注 Remark	页次 Page
37-AA	离合器开关 CLUTCH SWITCH			37-67
37-AB	支架, 线夹 BRACKET,WIRE CLIP			37-69
37-AC	扎带, 定位夹 BAND, LOCATING CLAMP			37-75
37-AD	整车线束 COMPLETE VEHICLE WIRE HARNESS			37-79
37-AE	高顶车示廓灯, 气喇叭, 室内照明 HIGH ROOF VEHICLE CLEARANCE LAMP, AIR HORN, INTERIOR LIGHTING	高顶车 High Roof Vehicle		37-113
37-AF	发电机 GENERATOR			37-115

### 38、仪器仪表系统 /INSTRUMENT AND METER SYSTEM

图号 No. Of Figure	名称 Name	适用产品 Products Applied	备注 Remark	页次 Page
38-A	组合仪表装置图 COMBINATION METER			38-1

### 39、随车工具 /DRIVER'S TOOL

图号 No. Of Figure	名称 Name	适用产品 Products Applied	备注 Remark	页次 Page
39-A	随车工具 DRIVER'S TOOL			39-1

## 50、车身系统 /BODY SYSTEM

图号 No. Of Figure	名称 Name	适用产品 Products Applied	备注 Remark	页次 Page
50-A	驾驶室总成 CAB ASSEMBLY		平顶驾驶室专用 Only For Flat Roof Cab	50-1
50-B	窄体驾驶室总成 NARROW CAB ASSEMBLY	窄体系列 Narrow Cab Series	平顶驾驶室专用 Only For Flat Roof Cab	50-5
50-C	右驾驾驶室总成 CAB ASSEMBLY FOR RHD	右驾系列 RHD Series	平顶驾驶室专用 Only For Flat Roof Cab	50-9
50-D	驾驶室总成 CAB ASSEMBLY		高顶驾驶室专用 Only For High Roof Cab	50-13
50-E	右驾驾驶室总成 CAB ASSEMBLY FOR RHD	右驾系列 RHD Series	高顶驾驶室专用 Only For High Roof Cab	50-17
50-F	驾驶室前悬置 CAB FRONT MOUNTING			50-21
50-G	驾驶室后悬置 CAB REAR MOUNTING			50-27
50-H	驾驶室翻转器 CAB TILT DEVICE			50-31
50-I	右驾驾驶室翻转器 CAB TILT DEVICE FOR RHD	右驾系列 RHD Series		50-39
50-J	轮罩 WHEEL HOUSING			50-43
50-K	发动机护罩 ENGINE PROTECTING COVER			50-47

## 51、车身地板系统 /BODY FLOOR SYSTEM

图号 No. Of Figure	名称 Name	适用产品 Products Applied	备注 Remark	页次 Page
51-A	地板堵盖系列 FLOOR BLOCK COVER SERIES			51-1
51-B	后置物盒 REAR STORAGE BOX			51-3
51-C	右驾后置物盒 REAR STORAGE BOX FOR RHD	右驾系列 RHD Series		51-9
51-D	排档罩 SHIFT COVER			51-15
51-E	右驾排档罩 SHIFT COVER FOR RHD	右驾系列 RHD Series		51-17
51-F	驾驶室地毯 CAB FLOOR CARPET			51-19
51-G	右驾驾驶室地毯 CAB FLOOR CARPET FOR RHD	右驾系列 RHD Series		51-23
51-H	软挡泥板 SOFT FENDER			51-27
51-I	下脚踏板 LOWER PEDAL			51-31
51-J	欧款下脚踏板 EUROPE LOWER PEDAL	欧款系列 Europe Series		51-37
51-K	上脚踏板 UPPER PEDAL			51-43

## 52、风窗系统 /WINDSHIELD SYSTEM

图号 No. Of Figure	名称 Name	适用产品 Products Applied	备注 Remark	页次 Page
52-A	刮水器、洗涤器 WIPER,WASHER			52-1
52-B	刮水器、洗涤器 WIPER,WASHER	右驾系列 RHD Series		52-3
52-C	驾驶室玻璃 CAB GLASS			52-5

## 53、前围系统 /FRONT-WALL SYSTEM

图号 No. Of Figure	名称 Name	适用产品 Products Applied	备注 Remark	页次 Page
53-A	驾驶室仪表板 CAB DASHBOARD			53-1
53-B	右驾驾驶室仪表板 CAB DASHBOARD FOR RHD	右驾系列 RHD Series		53-7
53-C	驾驶室前内护板 CAB FRONT INNER SHIELD			53-13
53-D	右驾驾驶室前内护板 CAB FRONT INNER SHIELD FOR RHD	右驾系列 RHD Series		53-17
53-E	仪表罩 INSTRUMENT SHROUD			53-21
53-F	右驾仪表罩 INSTRUMENT SHROUD FOR RHD	右驾系列 RHD Series		53-23



## 56、后围系统 /REAR QUARTER SYSTEM

图号 No. Of Figure	名称 Name	适用产品 Products Applied	备注 Remark	页次 Page
56-A	后围进气道总成 REAR QUARTER INTAKE DUCT ASSEMBLY			56-1

## 57、侧围、顶盖系统 /QUARTER,ROOF SYSTEM

图号 No. Of Figure	名称 Name	适用产品 Products Applied	备注 Remark	页次 Page
57-A	驾驶室前顶部件 CAB FRONT ROOF SET		低顶驾驶室专用 Only For Low Roof Cab	57-1
57-B	顶盖内顶部件 CAB INNER ROOF SET		低顶驾驶室专用 Only For Low Roof Cab	57-7
57-C	驾驶室前顶部件 CAB FRONT ROOF SET		高顶驾驶室专用 Only For High Roof Cab	57-15
57-D	顶盖内顶部件 I CAB INNER ROOF SET I		高顶驾驶室专用 Only For High Roof Cab	57-21
57-E	顶盖内顶部件 II CAB INNER ROOF SET II		高顶驾驶室专用 Only For High Roof Cab	57-27
57-F	遮阳罩 SUNSHADE		高顶驾驶室专用 Only For High Roof Cab	57-33

## 61、车门系统 /DOOR ASSEMBLY

图号 No. Of Figure	名称 Name	适用产品 Products Applied	备注 Remark	页次 Page
61-A	车门门锁 DOOR LOCK			61-1
61-B	车门导轨升降器 DOOR RAIL REGULATOR			61-5
61-C	车门内护板 DOOR INSIDE PROTECTING PLATE			61-9
61-D	车门铰链 DOOR HINGE			61-13
61-E	车门玻璃、密封条 DOOR GLASS,WEATHER STRIP			61-17

## 68、座椅、卧铺系统 /SEAT, SLEEPING BERTH SYSTEM

图号 No. Of Figure	名称 Name	适用产品 Products Applied	备注 Remark	页次 Page
68-A	座椅、卧铺 SEAT,SLEEPING BERTH		低顶驾驶室专用 Only For Low Roof Cab	68-1
68-B	座椅、卧铺系统(右驾系列) SEAT,SLEEPING BERTH SYSTEM (RHD SERIES)	右驾系列 RHD Series	低顶驾驶室专用 Only For Low Roof Cab	68-3
68-C	座椅、卧铺系统 SEAT,SLEEPING BERTH SYSTEM		高顶驾驶室专用 Only For High Roof Cab	68-5
68-D	座椅、卧铺系统(右驾系列) SEAT,SLEEPING BERTH SYSTEM (RHD SERIES)	右驾系列 RHD Series	高顶驾驶室专用 Only For High Roof Cab	68-7

## 81、空气调节系统 /AIR CONDITIONING SYSTEM

图号 No. Of Figure	名称 Name	适用产品 Products Applied	备注 Remark	页次 Page
81-A	控制面板、三箱体 CONTROL PANEL,THREE-BOX BODY			81-1
81-B	控制面板、三箱体(右驾系列) CONTROL PANEL,THREE-BOX BODY(RHD SERIES)	右驾系列 RHD Series		81-5
81-C	暖风管路 HEATER PIPELINE		康明斯系列发动机空调专用 Only For CUMMINS Series Engine Air Conditioning	81-7
81-D	压缩机、管路、冷凝器 COMPRESSOR,PIPELINE,CONDENSER		康明斯系列发动机空调专用 Only For CUMMINS Series Engine Air Conditioning	81-13
81-E	暖风管路 HEATER PIPELINE		斯太尔系列发动机专用 Only For STEYR Series Engine	81-23
81-F	压缩机、管路、冷凝器 COMPRESSOR,PIPELINE,CONDENSER		斯太尔系列发动机空调专用 Only For STEYR Series Engine Air Conditioning	81-27

## 82、附件系统 /ACCESSORY SYSTEM

图号 No. Of Figure	名称 Name	适用产品 Products Applied	备注 Remark	页次 Page
82-A	后视镜、遮阳板 REAR VIEW MIRROR, SUNSHADE		低顶驾驶室专用 Only For Low Roof Cab	82-1
82-B	后视镜、遮阳板(右驾系列) REAR VIEW MIRROR, SUNSHADE(RHD SERIES)	右驾系列 RHD Series	低顶驾驶室专用 Only For Low Roof Cab	82-7
82-C	安全带装置 SEAT BELT			82-13
82-D	安全带装置(右驾系列) SEAT BELT (RHD SERIES)	右驾系列 RHD Series		82-15
82-E	扶手 ARM REST			82-17
82-F	后视镜、遮阳板 REAR VIEW MIRROR, SUNSHADE		低顶驾驶室专用 Only For Low Roof Cab	82-23
82-G	后视镜、遮阳板(右驾系列) REAR VIEW MIRROR, SUNSHADE (RHD SERIES)	右驾系列 RHD Series	高顶驾驶室专用 Only For High Roof Cab	82-29

## 84、前盖板组件 /FRONT COVER PANEL SET

图号 No. Of Figure	名称 Name	适用产品 Products Applied	备注 Remark	页次 Page
84-A	前盖板 FRONT COVER PANEL			84-1
84-B	欧款前围外饰件 FRONT-WALL EXTERIOR TRIMMING PARTS FOR EUROPE MODEL	欧款系列 Europe Series		84-7
84-C	窄体前围外饰件 FRONT-WALL EXTERIOR TRIMMING PARTS FOR NARROW CAB MODEL	窄体系列 Narrow Cab Series		84-11
84-D	盖板操纵机构 COVER PANEL CONTROL MECHANISM			84-15



10

**发动机系统**

***ENGINE SYSTEM***

发动机系统 / ENGINE SYSTEM

10-320

序号 No.	件号 Part No.	数量 Quantity	名称 Name	规格 Specification	适用产品 Products Applied	备注 Remark
25	Q150B1455TF3	8	六角头螺栓 Hexagon Head Bolt			
26	10A2D-01060	2	软垫总成—发动机后悬置 Cushion Assembly-Engine Rear Mounting			
27	10A22D-01061	1	左支架臂 - 发动机后悬置 Bracket Arm LH-Engine Rear Mounting			
	10A22D-01062	1	右支架臂 - 发动机后悬置 Bracket Arm RH-Engine Rear Mounting			
28	Q40212	4	大垫圈 Big Washer			
29	Q40312F3	4	弹簧垫圈 Spring Washer			
30	Q151B1240TF3	4	六角头螺栓 Hexagon Head Bolt			
31	Q340B08	4	I 型六角螺母 Hexagon Full Nut			



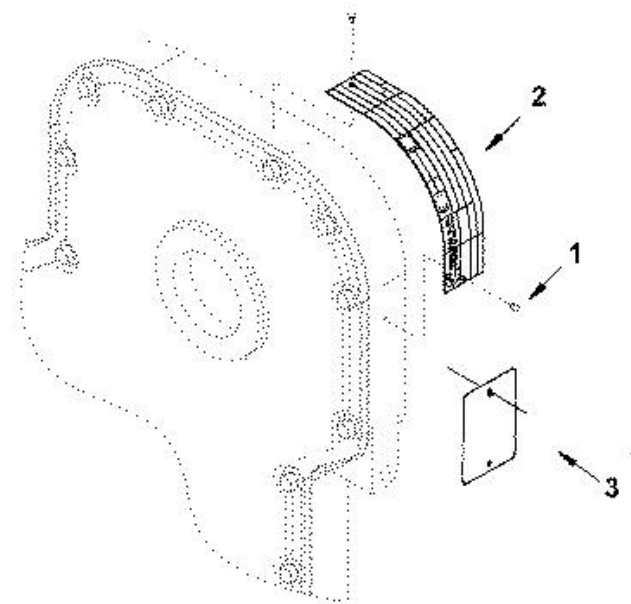
缸体冷却管路组 (BB9216)、参数牌组 (AP9481)/CYLINDER BLOCK COOLING LINE SET(BB9216), PARAMETER PLATE SET(AP9481)

10-A

缸体冷却管路组  
CYLINDER BLOCK COOLING LINE SET



参数牌组  
PARAMETER PLATE SET



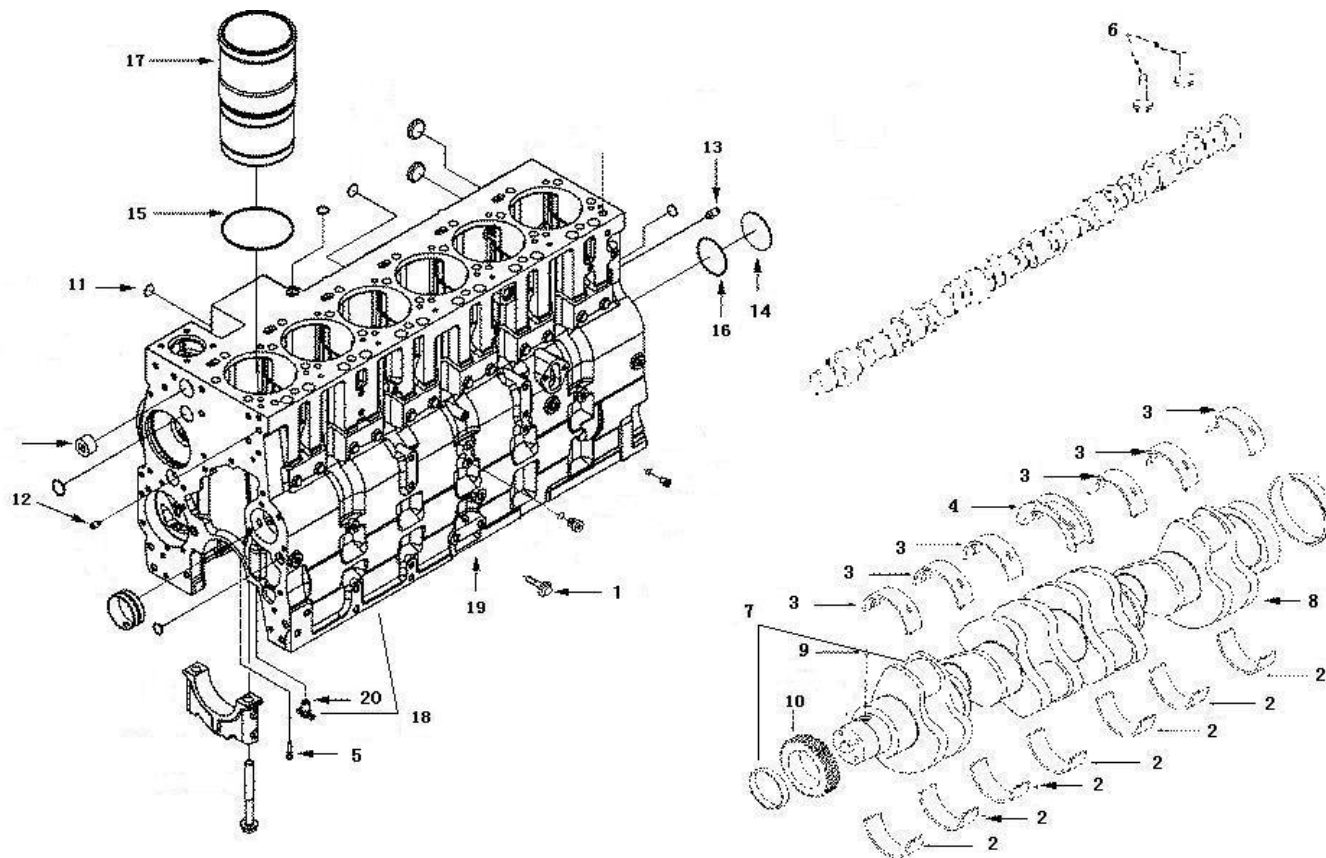
发动机系统 / ENGINE SYSTEM

10-2

序号 No.	件号 Part No.	数量 Quantity	名称 Name	规格 Specification	适用产品 Products Applied	备注 Remark
1	C3415394	2	自攻螺钉 Self-Tapping Screw		L375 20	
2	C3415519	1	参数牌 Parameter Plate		L375 20	
3	C3974406	1	标签 Label		L375 20	
4	C3975443	1	标签袋 Label Pocket		L375 20	
5	C3008469	2	内六角锥形螺塞 Hexagon Socket Tapered Screw Plug		L375 20、L345 20	

## 缸体组 (BB 9171)/CYLINDER BLOCK SET(BB 9171)

## 10-B



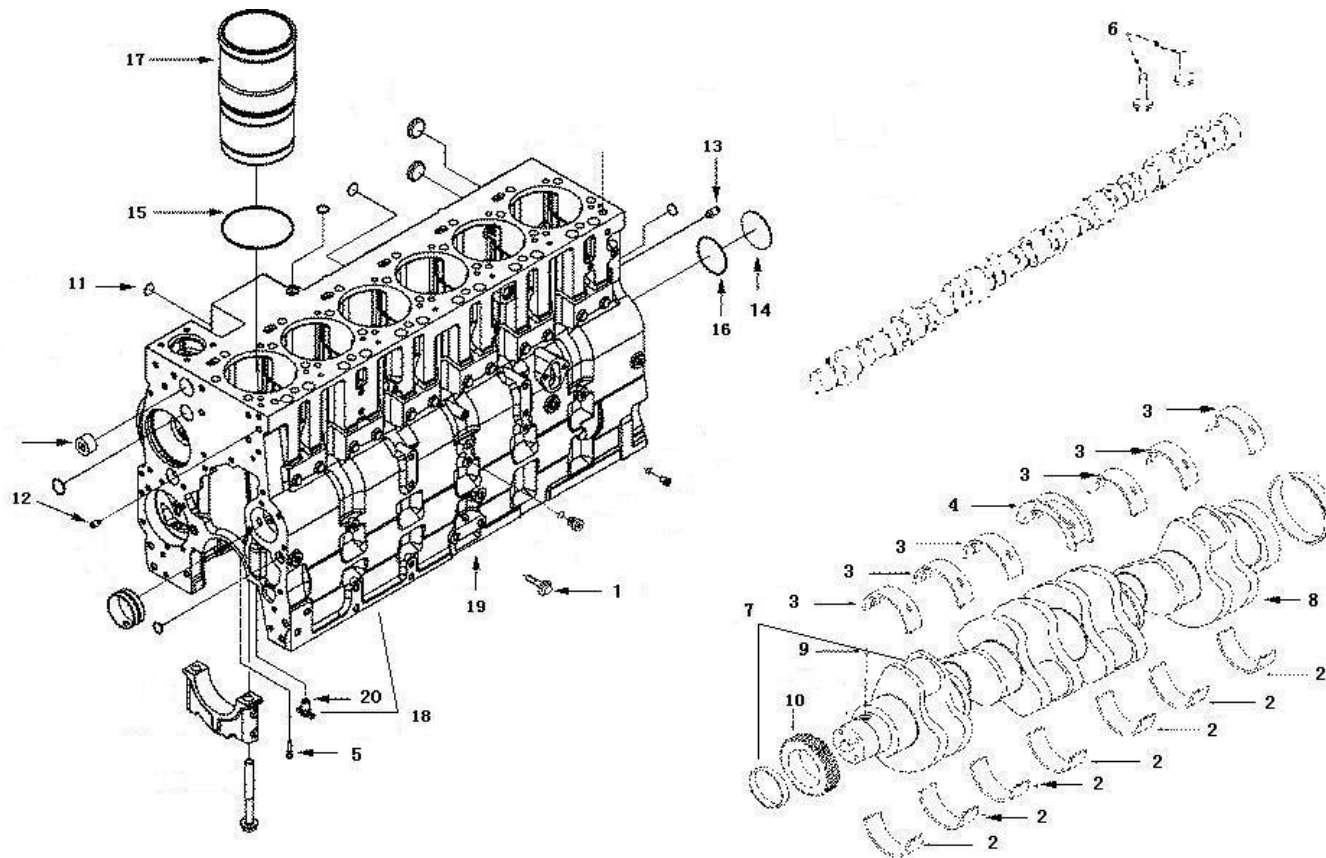
发动机系统 / ENGINE SYSTEM

10-4

序号 No.	件号 Part No.	数量 Quantity	名称 Name	规格 Specification	适用产品 Products Applied	备注 Remark
1	3909025	6	六角法兰面螺栓 Hexagon Bolt With Flange		L375 20、L345 20	
2	3944153	7	曲轴瓦下瓦 Lower Crankshaft Bearing Shell		L375 20、L345 20	
3	3944158	6	曲轴瓦上瓦 Upper Crankshaft Bearing Shell		L375 20、L345 20	
4	3944163	1	曲轴止推瓦 Thrust Bearing Shell Of Crankshaft		L375 20、L345 20	
5	3959291	6	活塞冷却喷嘴 Piston Cooling Nozzle		L375 20、L345 20	
6	3965966	12	挺杆体 Tappet Body		L375 20、L345 20	
7	3976841	1	曲轴总成 Crankshaft Assembly		L375 20、L345 20	
8	3965010	1	曲轴 Crankshaft		L375 20、L345 20	
9	C3901846	4	定位销 Locating Pin		L375 20、L345 20	
10	C3918776	1	曲轴齿轮 Crankshaft Gear		L375 20、L345 20	
11	C3008468	1	内六角锥形螺塞 Hexagon Socket Tapered Screw Plug		L375 20、L345 20	
12	C3900257	2	定位销 Locating Pin		L375 20、L345 20	
13	C3901846	4	定位销 Locating Pin		L375 20、L345 20	
14	C3901969	1	碗形塞 Bowl Plug		L375 20、L345 20	

## 缸体组 (BB 9171)/CYLINDER BLOCK SET(BB 9171)

## 10-B



发动机系统 / ENGINE SYSTEM

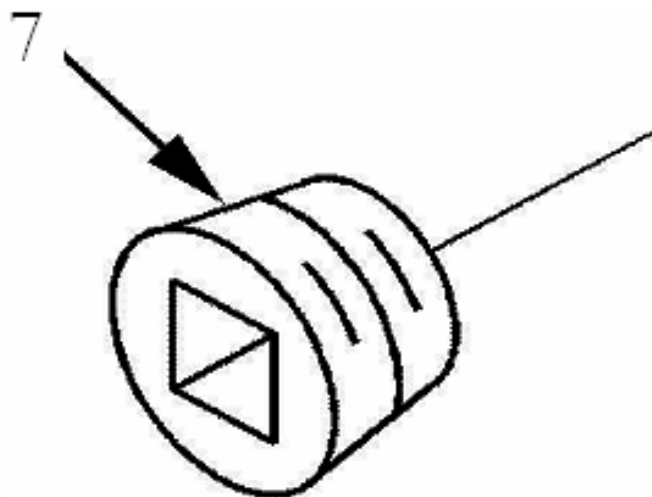
10-6

序号 No.	件号 Part No.	数量 Quantity	名称 Name	规格 Specification	适用产品 Products Applied	备注 Remark
15	C3907177	6	矩形密封圈 Rectangle Seal Ring		L375 20、L345 20	
16	C3926048	1	O形密封圈 O-Seal Ring		L375 20、L345 20	
17	C3948095	6	气缸套 Cylinder Liner		L375 20、L345 20	
18	C4928830	1	气缸体 Cylinder Block		L375 20、L345 20	
19	3971385	1	气缸体 Cylinder Block		L375 20、L345 20	
20	CS 923 E	1	放水阀 Water Drain Valve		L375 20、L345 20	

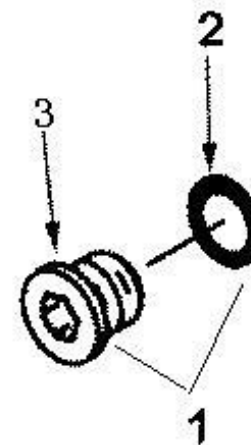
冷却液辅助连接管组 (CH9087)、缸体管路连接件组 (BB9213)/COOLANT SUB-CONNECTING PIPE SET (CH9087),BLOCK LINE CONNECTOR SET(BB9213)

**10-C**

冷却液辅助连接管组  
COOLANT SUB-CONNECTING PIPE SET



缸体管路连接件组  
BLOCK LINE CONNECTOR SET



发动机系统 / ENGINE SYSTEM

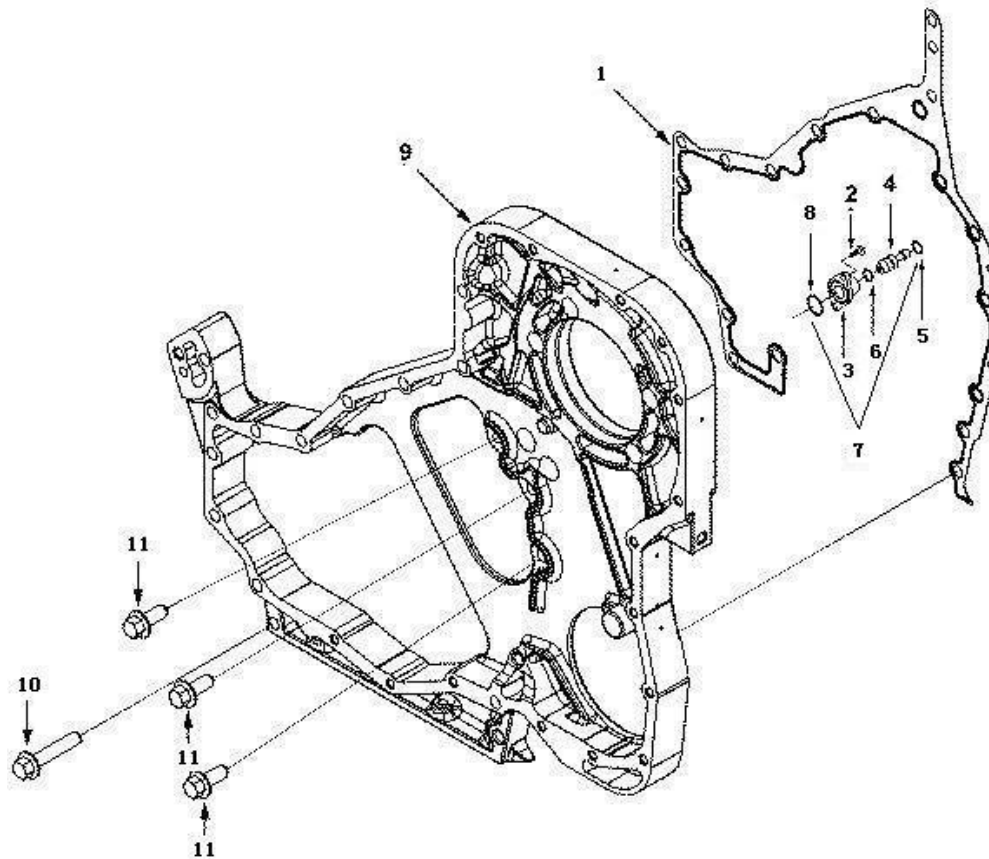
10-8

序号 No.	件号 Part No.	数量 Quantity	名称 Name	规格 Specification	适用产品 Products Applied	备注 Remark
1	C3678921	1	螺塞总成 Plug Assembly		L375 20、L345 20	
2	C3678912	1	O形密封圈 O-Seal Ring		L375 20、L345 20	
3	C3678922	1	内六角螺塞 Hexagon Socket Plug		L375 20、L345 20	
4	C3678923	5	螺塞 Plug		L375 20、L345 20	
5	C3678924	1	内六角锥形螺塞 Hexagon Socket Tapered Screw Plug		L375 20、L345 20	
6	C3678925	1	O形密封圈 O-Seal Ring		L375 20、L345 20	
7	C3008469	1	内六角锥形螺塞 Hexagon Socket Tapered Screw Plug			



## 齿轮室组 (BB9881)/GEAR HOUSING SET(BB9881)

10-D



发动机系统 / ENGINE SYSTEM

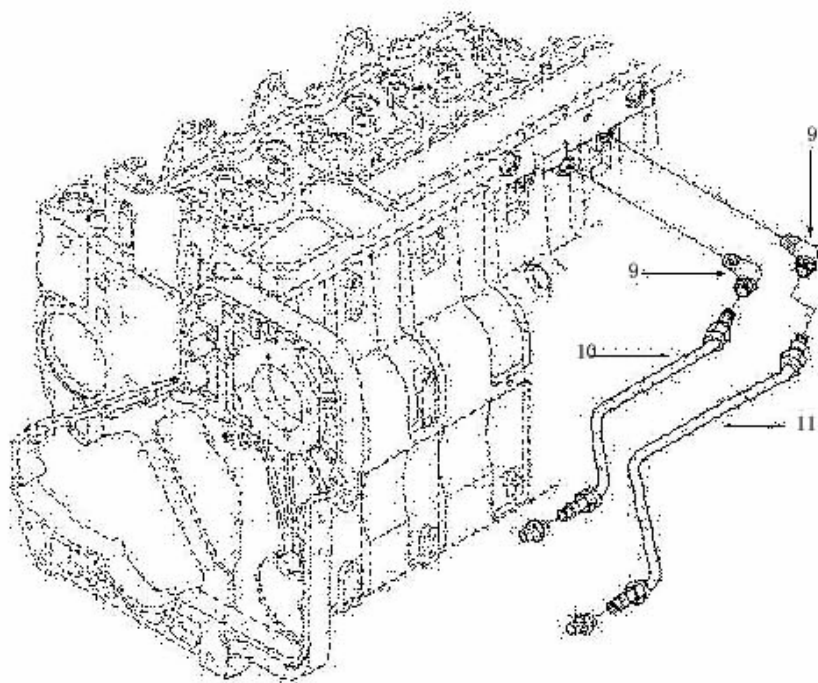
10-10

序号 No.	件号 Part No.	数量 Quantity	名称 Name	规格 Specification	适用产品 Products Applied	备注 Remark
1	3944293	1	齿轮室密封垫 Gear Housing Gasket			
2	C3907998	2	圆头螺钉 Round Head Screw			
3	C3913995	1	正时销座总成 Timing Pin Seat Assembly			
4	C3903924	1	正时销 Timing Pin			
5	C3904849	1	挡圈 Retainer Ring			
6	C3913994	1	O形密封圈 O-Seal Ring			
7	C3919683	1	正时销座 Timing Pin Seat			
8	C3915772	1	矩形密封圈 Rectangle Seal Ring			
9	C3938086	1	齿轮室 Gear Housing			
10	C3943885	3	六角法兰面螺栓 Hexagon Bolt With Flange			
11	Q1840820-0H1-J1	3	六角法兰面螺栓 Hexagon Bolt With Flange			

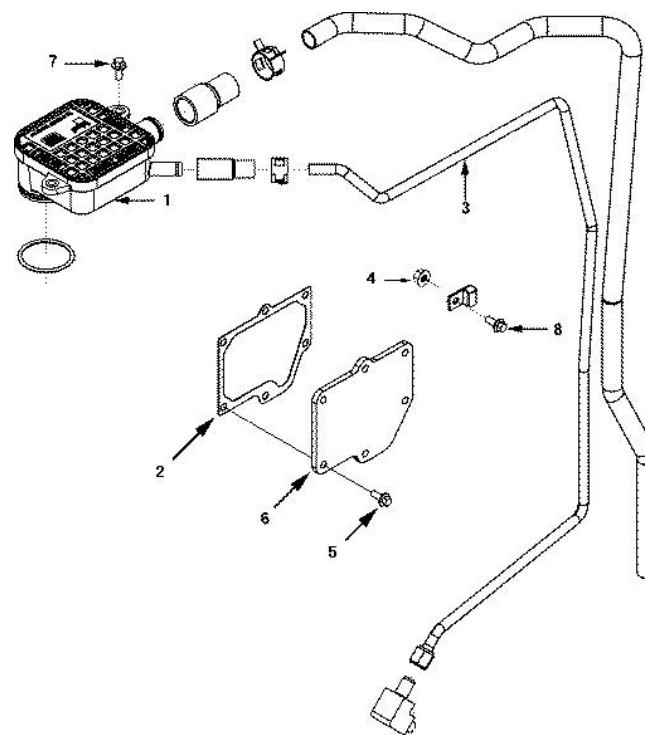
曲轴箱通风组 (BR 9239) 空压机冷却水管组 (CC9297)/CRANKCASE VENTILATION SET(BR 9239),AIR COMPRESSOR COOLING PIPE SET(CC9297)

**10-E**

曲轴箱通风组  
CRANKCASE VENTILATION SET



空压机冷却水管组  
AIR COMPRESSOR COOLING PIPE SET



## 发动机系统 / ENGINE SYSTEM

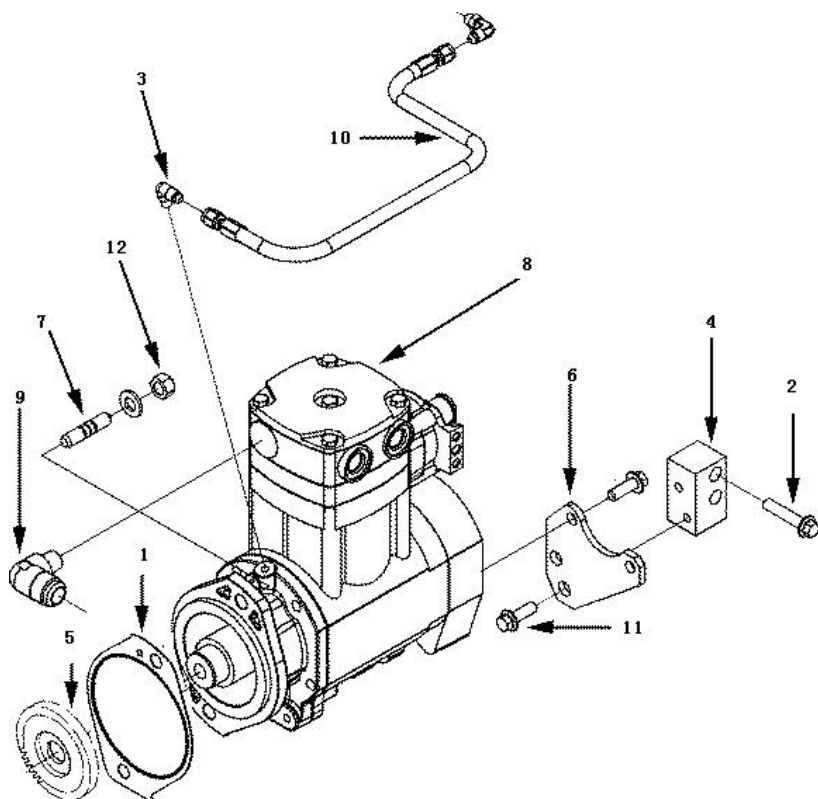
10-12

序号 No.	件号 Part No.	数量 Quantity	名称 Name	规格 Specification	适用产品 Products Applied	备注 Remark
1	3964093	1	呼吸器室 Ventilator Chamber		L375 20、L345 20	
2	3970886	1	密封垫 Gasket		L375 20、L345 20	
3	3974546	1	机油回油管 Oil Return Pipe		L375 20、L345 20	
4	C3900589	1	六角法兰面螺母 Hexagon Nut With Flange		L375 20、L345 20	
5	C3991306	6	六角法兰面螺栓 Hexagon Bolt With Flange		L375 20、L345 20	
6	C4063520	1	盖板 Cover Panel		L375 20、L345 20	
7	Q1840620	2	六角法兰面螺栓 Hexagon Bolt With Flange		L375 20、L345 20	
8	Q1840816-0H1	1	六角法兰面螺栓 Hexagon Bolt With Flange		L375 20、L345 20	
9	C3415327	X	弯管接头体 Elbow Joint		L375 20、L345 20	
10	C3976439		空压机进水管 Air Compressor Water Inlet Pipe		L375 20、L345 20	
11	C3976440		空压机出水管 Air Compressor Water Outlet Pipe		L375 20、L345 20	

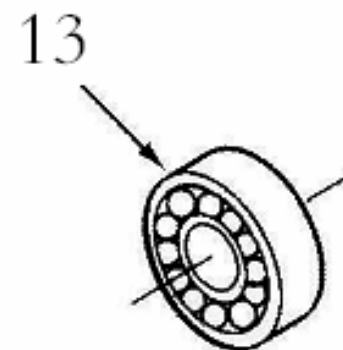
空压机组 (CP9510) 变速箱第一前轴承 (CL 9079)/AIR COMPRESSOR SET (CP9510), TRANSMISSION NO.1 FRONT SHAFT BEARING (CL 9079)

**10-F**

空压机组  
AIR COMPRESSOR SET



变速箱第一前轴承  
TRANSMISSION NO.1 FRONT SHAFT BEARING



# 发动机系统 / ENGINE SYSTEM

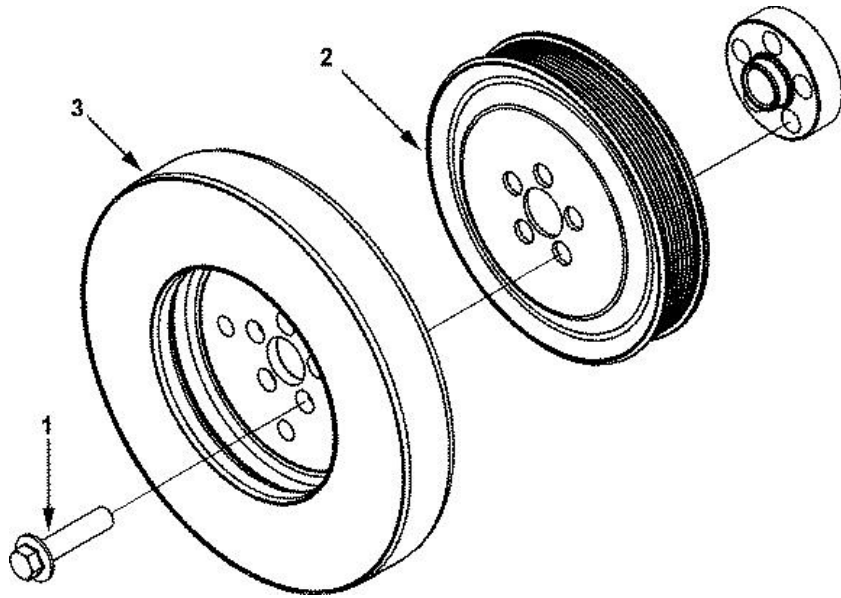
10-14

序号 No.	件号 Part No.	数量 Quantity	名称 Name	规格 Specification	适用产品 Products Applied	备注 Remark
1	3940245	1	液压泵密封垫 Hydraulic Pump Gasket		L375 20、L345 20、C230 20、C325 20	
2	A3901757	2	六角法兰面螺栓 Hexagon Bolt With Flange		L375 20、L345 20、C230 20、C325 20	
3	C3415333	1	弯管接头体 Elbow Joint		L375 20、L345 20、C230 20、C325 20	
4	C3415606	1	隔块 Block		L375 20、L345 20、C230 20、C325 20	
5	C3415607	1	空压机齿轮 Air Compressor Gear		L375 20、L345 20、C230 20、C325 20	
6	C3934079	1	空气压缩机支架 Air Compressor Bracket		L375 20、L345 20、230 20、C325 20	
7	C3937122	2	双头螺栓 Stud Bolt		L375 20、L345 20、C230 20、C325 20	
8	C3970805	1	空压机 Air Compressor		L375 20、L345 20、C230 20、C325 20	
9	C3976749	1	弯管接头体总成 Elbow Joint Assembly		L375 20、L345 20、C230 20、C325 20	
10	C3976797	1	组合软管 Combination Hose		L375 20、L345 20、C230 20、C325 20	
11	Q1841030	4	六角法兰面螺栓 Hexagon Bolt With Flange			
12	Q32012	2	六角法兰面螺母 Hexagon Nut With Flange			
13	Z*60205	X	变速箱第一前轴承 Transmission No.1 Front Shaft Bearing		L375 20、L345 20	

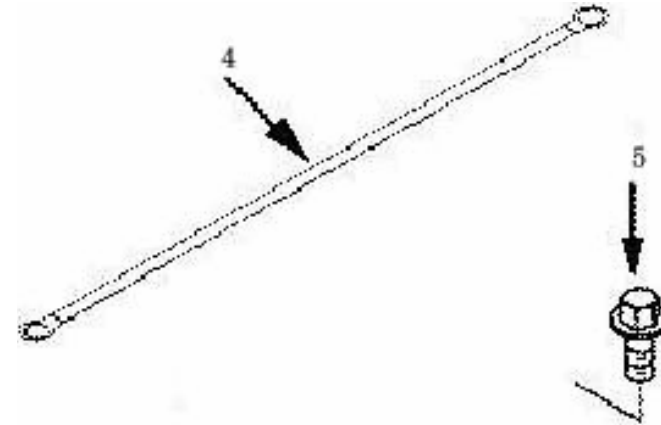
扭振减振器组 (DA 9155) 搭铁线组 (EA 9089)  
TORSIONAL DAMPER SET(DA 9155),GROUND CABLE SET(EA 9089)

**10-G**

扭振减振器组  
TORSIONAL DAMPER SET



搭铁线组  
GROUND CABLE SET



发动机系统 / ENGINE SYSTEM

10-16

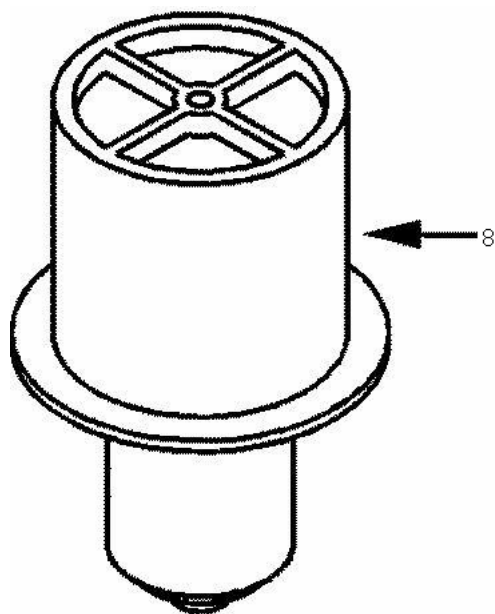
序号 No.	件号 Part No.	数量 Quantity	名称 Name	规格 Specification	适用产品 Products Applied	备注 Remark
1	3914118	5	六角法兰面螺栓 Hexagon Bolt With Flange		L375 20、L345 20	
2	3943978	1	曲轴皮带轮 Crankshaft Belt Pulley		L375 20、L345 20	
3	3967014	1	扭振减振器 Torsional Damper		L375 20、L345 20	
4	37N-24320	1	搭铁线 Ground Wire		L375 20、L345 20、C230 20、C325 20	
5	C3903990	1	六角法兰面螺栓 Hexagon Bolt With Flange		L375 20、L345 20、C230 20、C325 20	



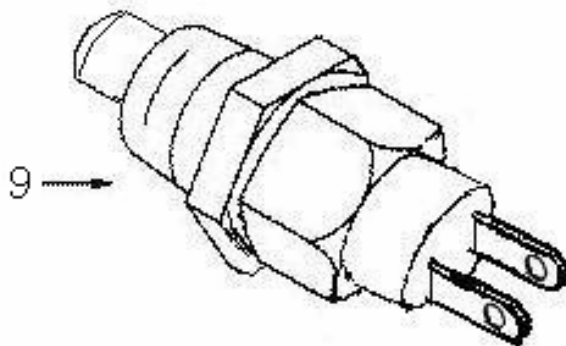
节温器组 (EC9702)、传感器总成组 (EO 9104)、发电机安装件组 (EH 9591)  
THERMOSTAT SET(EC9702),SENSOR ASSEMBLY SET(EO 9104),GENERATOR MOUNTING PART SET(EH 9591)

**10-H**

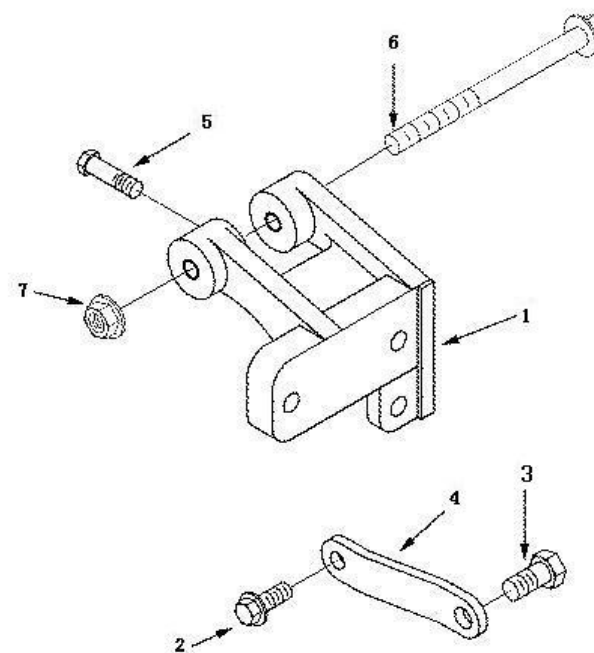
节温器组  
THERMOSTAT SET



传感器总成组  
SENSOR ASSEMBLY SET



发电机安装件组  
GENERATOR MOUNTING PART SET



# 发动机系统 / ENGINE SYSTEM

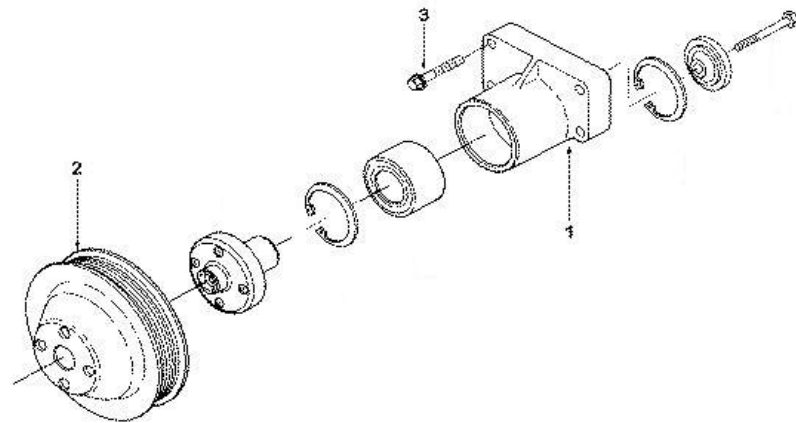
10-18

序号 No.	件号 Part No.	数量 Quantity	名称 Name	规格 Specification	适用产品 Products Applied	备注 Remark
1	C3415692	1	发电机支架 Generator Bracket		L375 20、C260 20、C325 20、L345 20、 C230 20	
2	C3901249	1	六角法兰面螺栓 Hexagon Bolt With Flange		L375 20、C260 20、C325 20、L345 20、 C230 20	
3	C3902460	1	六角法兰面螺栓 Hexagon Bolt With Flange		L375 20、C260 20、C325 20、L345 20、 C230 20	
4	C3944312	1	发电机支撑 Generator Support		L375 20、C260 20、C325 20、L345 20、 C230 20	
5	Q1841030	3	六角法兰面螺栓 Hexagon Bolt With Flange			
6	Q18412120-0H1	1	六角法兰面螺栓 Hexagon Bolt With Flange		L375 20、C260 20、C325 20、L345 20、 C230 20	
7	Q32012	1	六角法兰面螺母 Hexagon Nut With Flange			
8	3940632	X	节温器 Thermostat			
9	C3967252	1	转速传感器总成 Rotaional Speed Sensor Assembly		L375 20、C260 20、C230 20	

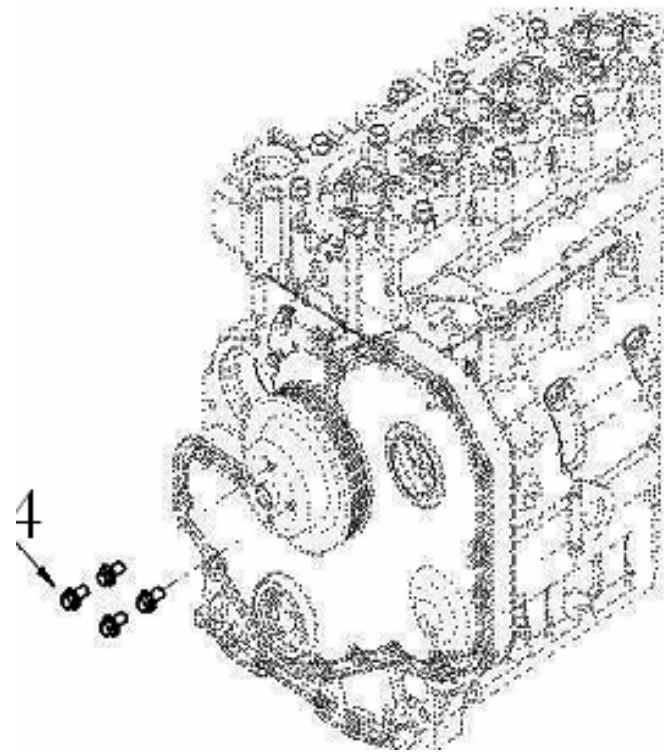
风扇驱动件组 (FA 9310)、风扇驱动件组 (FA 9739)  
FAN DRIVE SET(FA 9310),FAN DRIVE SET(FA 9739)

**10-1**

FA 9310



FA 9739



发动机系统 / ENGINE SYSTEM

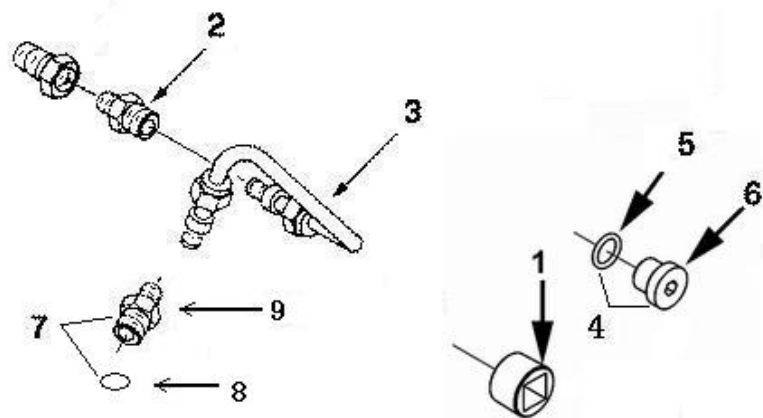
10-20

序号 No.	件号 Part No.	数量 Quantity	名称 Name	规格 Specification	适用产品 Products Applied	备注 Remark
1	C3415603	1	风扇支架 Fan Bracket			
2	C3926855	1	风扇皮带轮 Fan Belt Pulley			
3	Q1841050	4	六角法兰面螺栓 Hexagon Bolt With Flange			
4	C3903990	4	六角法兰面螺栓 Hexagon Bolt With Flange		L375 20、C260 20、C325 20、L345 20、 C230 20	

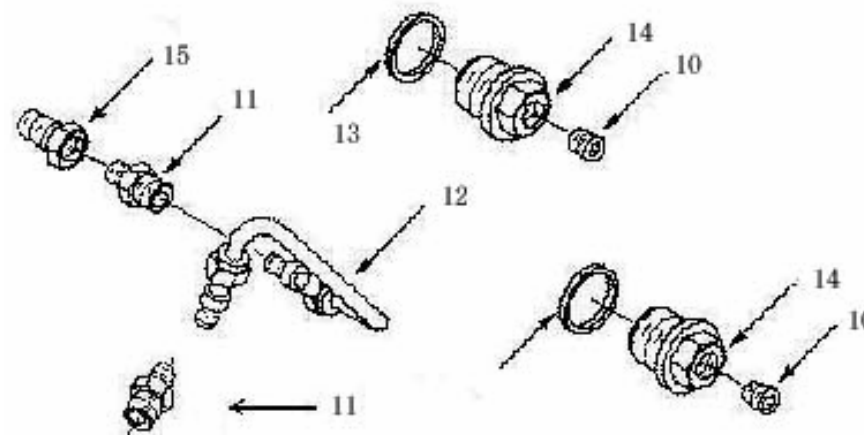
增压补偿器连接管组 (FE 9043)、增压补偿器连接管组 (FE 9022)  
SUPERCHARGE BOOST COMPENSATOR CONNECTING PIPE SET (FE 9043),  
SUPERCHARGE BOOST COMPENSATOR CONNECTING PIPE SET (FE 9022)

10-J

FE 9043



FE 9022



发动机系统 / ENGINE SYSTEM

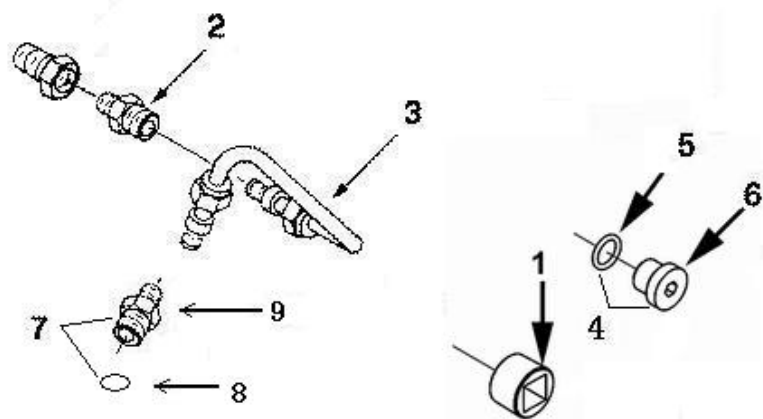
10-22

序号 No.	件号 Part No.	数量 Quantity	名称 Name	规格 Specification	适用产品 Products Applied	备注 Remark
1	C3008469	1	内六角锥形螺塞 Hexagon Socket Tapered Screw Plug		L375 20、L345 20	
2	C3415336	1	直通接头体 Straight Joint		L375 20、L345 20	
3	C3415457	1	增压补偿器连接管 Supercharge Boost Compensator Connecting Pipe		L375 20、L345 20	
4	C3678921	1	螺塞总成 Plug Assembly		L375 20、L345 20	
5	C3678912	1	O形密封圈 O-Seal Ring		L375 20、L345 20	
6	C3678922	1	内六角螺塞 Hexagon Socket Plug		L375 20、L345 20	
7	C3977555	1	直通接头体总成 Straight Joint Assembly		L375 20、L345 20	
8	C3678912	1	O形密封圈 O-Seal Ring		L375 20、L345 20	
9	C3977556	1	直通接头体 Straight Joint		L375 20、L345 20	
10	C3008465	X	内六角锥形螺塞 Hexagon Socket Tapered Screw Plug		L375 20、C325 20	
11	C3415336		直通接头体 Straight Joint		L375 20、C325 20	
12	C3415457		增压补偿器连接管 Supercharge Boost Compensator Connecting Pipe		L375 20、C325 20	
13	C3902425		密封垫圈 Seal Washer		L375 20、C325 20	
14	C3908110		螺塞 Plug		L375 20、C325 20	

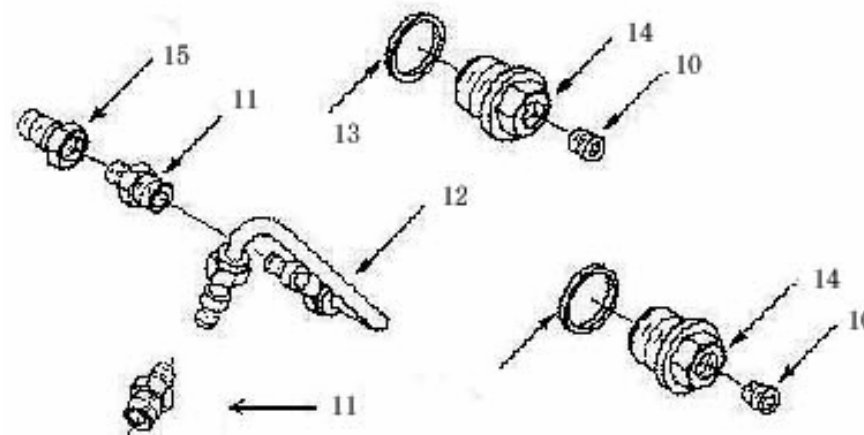
增压补偿器连接管组 (FE 9043)、增压补偿器连接管组 (FE 9022)  
 SUPERCHARGE BOOST COMPENSATOR CONNECTING PIPE SET (FE 9043),  
 SUPERCHARGE BOOST COMPENSATOR CONNECTING PIPE SET (FE 9022)

10-J

FE 9043



FE 9022

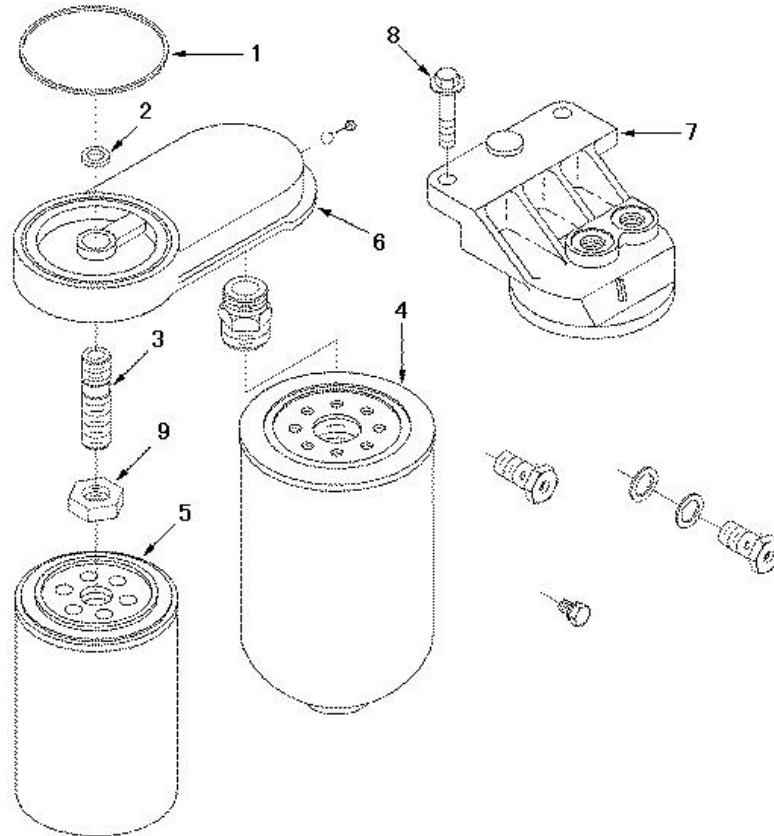


序号 No.	件号 Part No.	数量 Quantity	名称 Name	规格 Specification	适用产品 Products Applied	备注 Remark
15	C3909557	1	异径管套 Different Diameter Pipe Sleeve		L375 20、C325 20	



## 燃油滤清器组 (FF 9593)/FUEL FILTER SET(FF 9593)

10-K



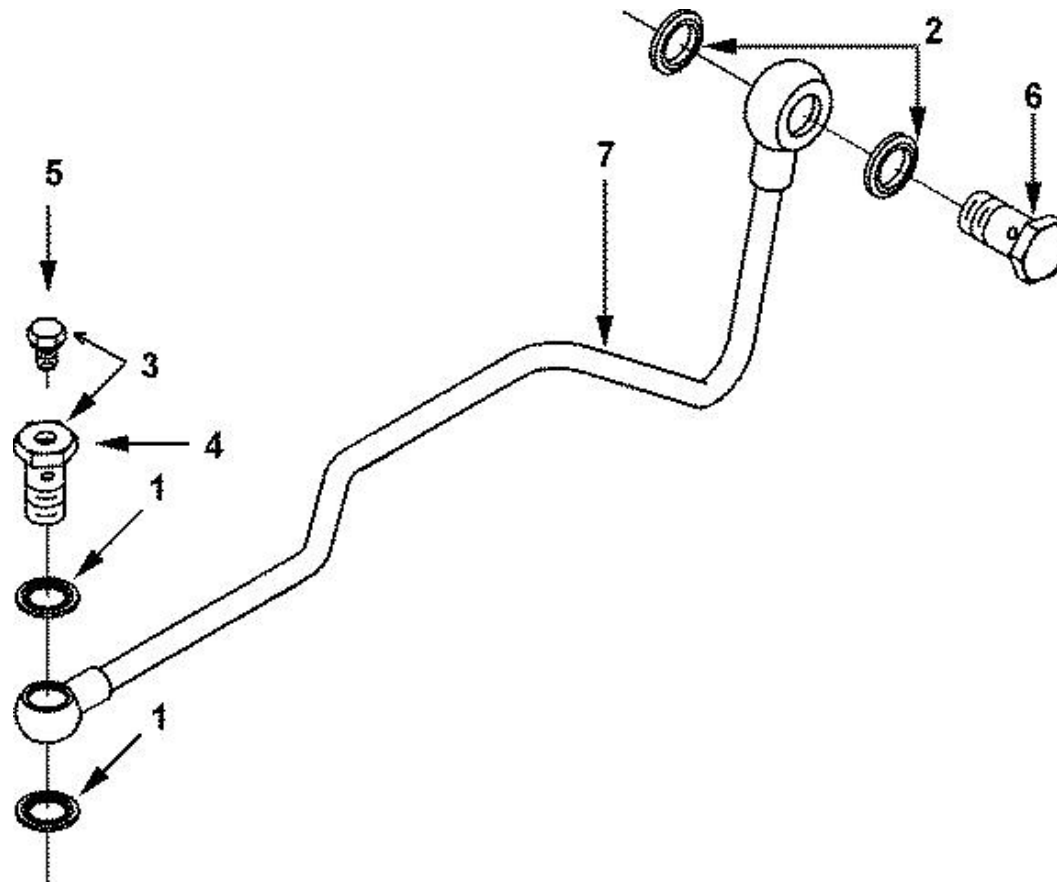
发动机系统 / ENGINE SYSTEM

10-26

序号 No.	件号 Part No.	数量 Quantity	名称 Name	规格 Specification	适用产品 Products Applied	备注 Remark
1	C3906694	1	矩形密封圈 Rectangle Seal Ring		L375 20、L345 20	
2	C3906695	1	矩形密封圈 Rectangle Seal Ring		L375 20、L345 20	
3	C3925955	1	滤清器座接头 Filter Seat Joint		L375 20、L345 20	
4	C3930942	1	油水分离器 Oil-Water Separator		L375 20、L345 20	
5	C3931063	1	燃油滤清器 Fuel Filter		L375 20、L345 20	
6	C3936315	1	燃油滤清器座总成 Fuel Filter Seat Assembly		L375 20、L345 20	
7	C3971399	1	燃油滤清器座总成 Fuel Filter Seat Assembly		L375 20、L345 20	
8	Q1840835	2	六角法兰面螺栓 Hexagon Bolt With Flange			
9	Q351B16-3H1	1	六角螺母 Hexagon Nut		L375 20、L345 20	

燃油滤清器连接管路组 (FF 9594)  
FUEL FILTER CONNECTING LINE SET (FF 9594)

10-L



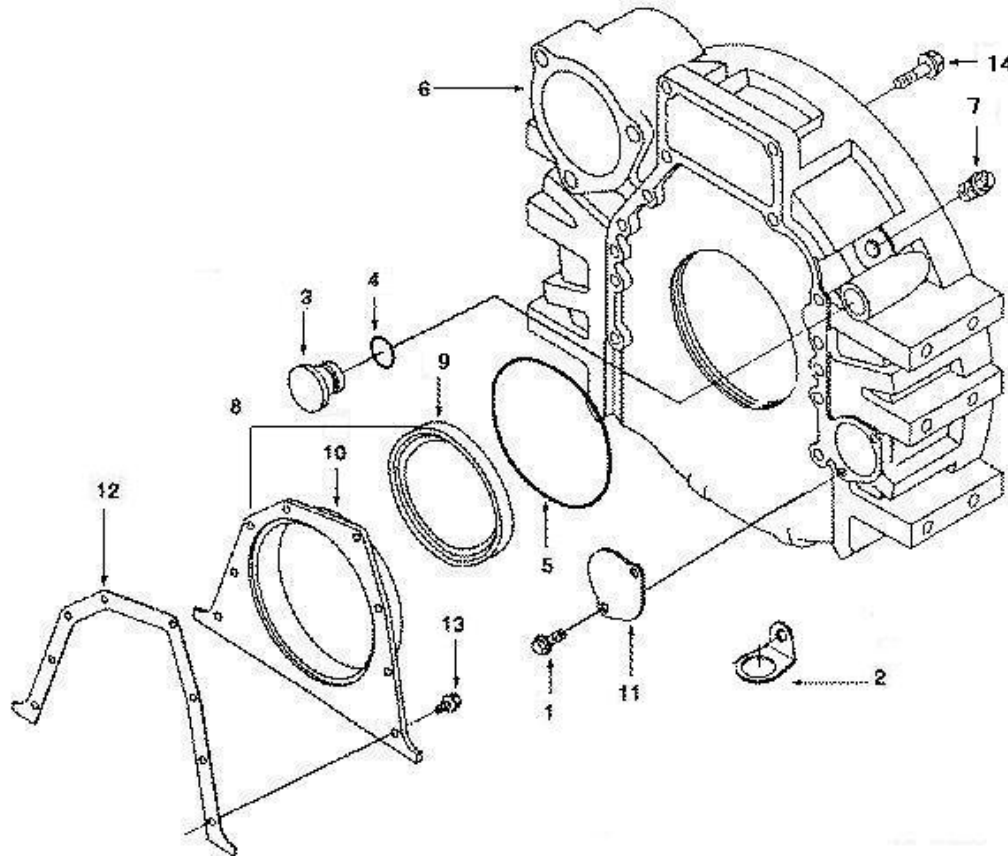
发动机系统 / ENGINE SYSTEM

10-28

序号 No.	件号 Part No.	数量 Quantity	名称 Name	规格 Specification	适用产品 Products Applied	备注 Remark
1	3963983	2	密封垫片 Seal Shim		L375 20、L345 20	
2	C3863988	2	密封垫圈 Seal Washer		L375 20、L345 20	
3	C3905860	1	琶形接头螺栓 Lute Joint Bolt		L375 20、L345 20	
4	C3911446	1	琶形接头螺栓 Lute Joint Bolt		L375 20、L345 20	
5	C3939570	1	带密封圈螺栓 Bolt W/Seal Ring		L375 20、L345 20	
6	C3924725	1	琶形接头螺栓 Lute Joint Bolt		L375 20、L345 20	
7	C3971123	1	燃油输油管 Fuel Delivery Pipe		L375 20、L345 20	

## 飞轮壳组 (FH 9430)/FLYWHEEL CASE SET(FH 9430)

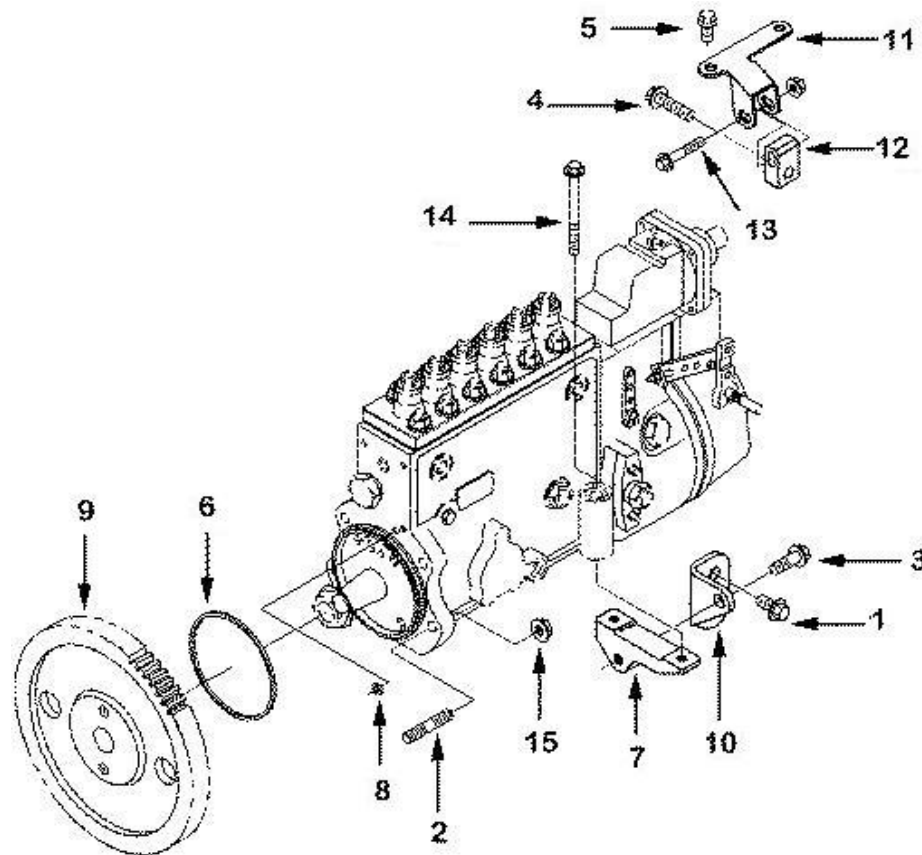
10-M



序号 No.	件号 Part No.	数量 Quantity	名称 Name	规格 Specification	适用产品 Products Applied	备注 Remark
1	A3900629	2	六角法兰面螺栓 Hexagon Bolt With Flange		所有东风康明斯搅拌车系列 All Dongfeng CUMMINS Mixer Series	
2	A3909670	1	夹子 Clamp		所有东风康明斯搅拌车系列 All Dongfeng CUMMINS Mixer Series	
3	A3910248	1	塑性堵塞 Plastic Plug		所有东风康明斯搅拌车系列 All Dongfeng CUMMINS Mixer Series	
4	A3910260	1	O形密封圈 O-Seal Ring		所有东风康明斯搅拌车系列 All Dongfeng CUMMINS Mixer Series	
5	A3912473	1	矩形密封圈 Rectangle Seal Ring		所有东风康明斯搅拌车系列 All Dongfeng CUMMINS Mixer Series	
6	A3960668	1	飞轮壳(试制件) Flywheel Case(Test Piece)		所有东风康明斯搅拌车系列 All Dongfeng CUMMINS Mixer Series	
7	C3008469	1	内六角锥形螺塞 Hexagon Socket Tapered Screw Plug		所有东风康明斯搅拌车系列 All Dongfeng CUMMINS Mixer Series	
8	C3357700	1	后油封座 Rear Oil Seal Seat		所有东风康明斯搅拌车系列 All Dongfeng CUMMINS Mixer Series	
9	3970548	1	曲轴后油封 Rear Oil Seal Of Crankshaft		所有东风康明斯搅拌车系列 All Dongfeng CUMMINS Mixer Series	
10	C3933384	1	后油封座 Rear Oil Seal Seat		所有东风康明斯搅拌车系列 All Dongfeng CUMMINS Mixer Series	
11	C3908095	1	盖板 Cover Panel		所有东风康明斯搅拌车系列 All Dongfeng CUMMINS Mixer Series	
12	C3939353	1	后油封座密封垫 Rear Oil Seal Seat Gasket		所有东风康明斯搅拌车系列 All Dongfeng CUMMINS Mixer Series	
13	C3991306	8	六角法兰面螺栓 Hexagon Bolt With Flange		所有东风康明斯搅拌车系列 All Dongfeng CUMMINS Mixer Series	
14	Q1841240-0H1	12	六角法兰面螺栓 Hexagon Bolt With Flange		所有东风康明斯搅拌车系列 All Dongfeng CUMMINS Mixer Series	

## 燃油泵安装组 (FP 90370)/FUEL PUMP MOUNTING SET(FP 90370)

10-N

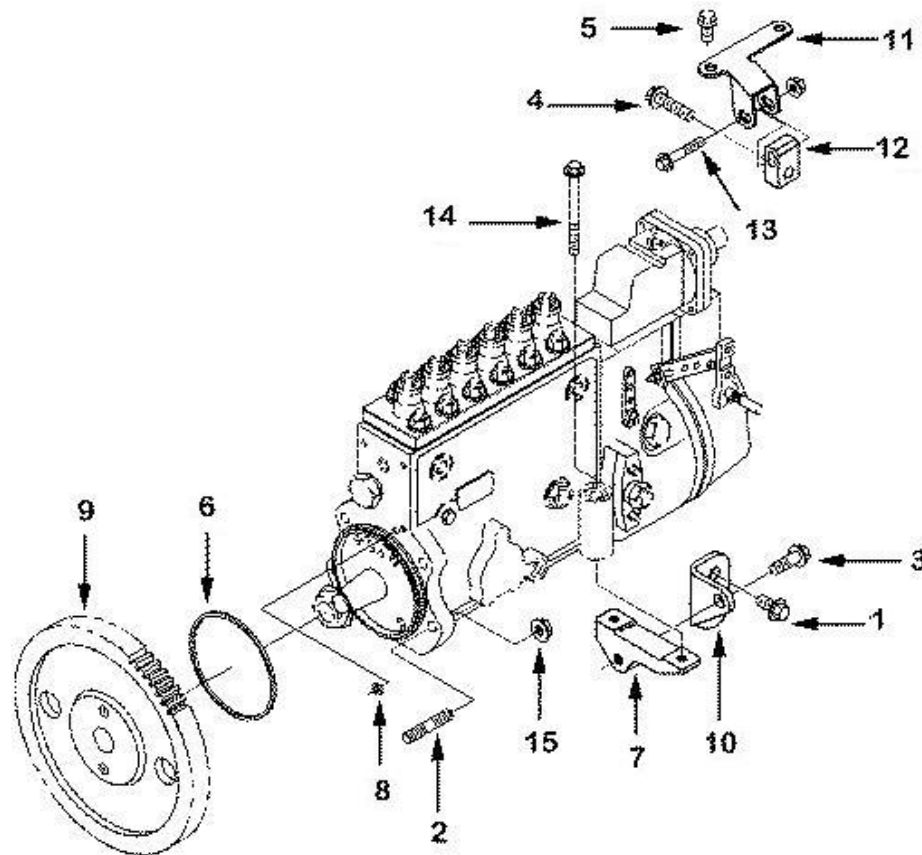


序号 No.	件号 Part No.	数量 Quantity	名称 Name	规格 Specification	适用产品 Products Applied	备注 Remark
1	C3093930	2	六角法兰面螺栓 Hexagon Bolt With Flange		L375 20、L345 20	
2	C3282372	4	双头螺栓 Stud Bolt		L375 20、L345 20	
3	C3284531	1	六角法兰面螺栓 Hexagon Bolt With Flange		L375 20、L345 20	
4	C3903464	1	六角法兰面螺栓 Hexagon Bolt With Flange		L375 20、L345 20	
5	C3903990	2	六角法兰面螺栓 Hexagon Bolt With Flange		L375 20、L345 20	
6	C3924605	1	矩形密封圈 Rectangle Seal Ring		L375 20、L345 20	
7	C3926273	1	燃油泵支架 Fuel Pump Bracket		L375 20、L345 20	
8	C3926722	1	矩形密封圈 Rectangle Seal Ring		L375 20、L345 20	
9	C3931380	1	燃油泵齿轮 Fuel Pump Gear		L375 20、L345 20	
10	C3938091	1	燃油泵支架 Fuel Pump Bracket		L375 20、L345 20	
11	C3971488	1	燃油管支架 Fuel Pipe Bracket		L375 20、L345 20	
12	C3971489	1	燃油管托架 Fuel Pipe Bracket		L375 20、L345 20	
13	Q1840835	2	六角法兰面螺栓 Hexagon Bolt With Flange			
14	Q1840890-0H1	2	六角法兰面螺栓 Hexagon Bolt With Flange			



## 燃油泵安装组 (FP 90370)/FUEL PUMP MOUNTING SET(FP 90370)

10-N

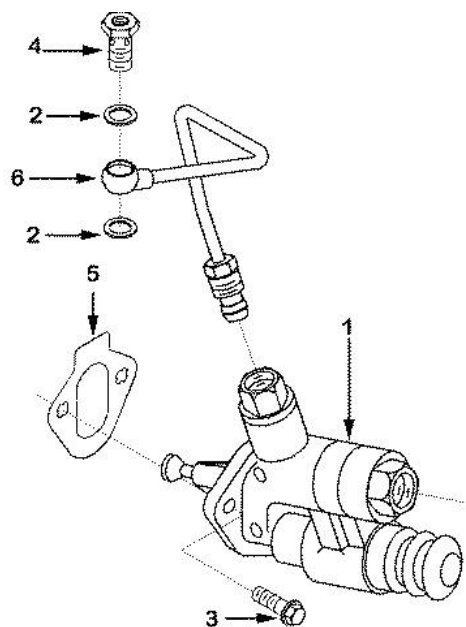


序号 No.	件号 Part No.	数量 Quantity	名称 Name	规格 Specification	适用产品 Products Applied	备注 Remark
15	Q32010	4	六角法兰面螺栓 Hexagon Bolt With Flange			

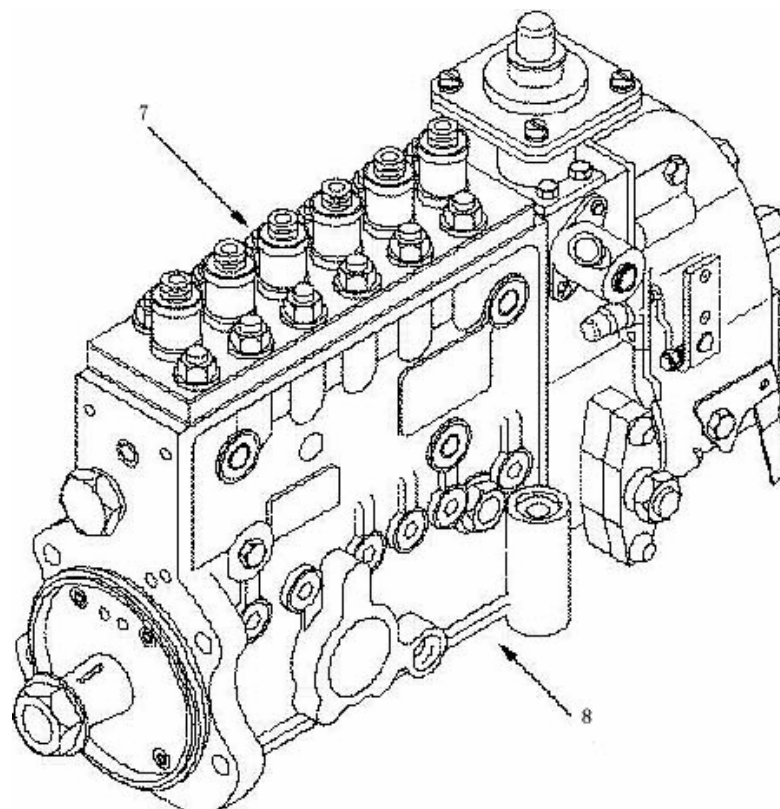
输油泵总成 (FS 9849)、燃油泵组 (FP 90545)  
FUEL SUPPLY PUMP ASSEMBLY(FS 9849),FUEL PUMP SET(FP 90545)

**10-0**

输油泵总成  
FUEL SUPPLY PUMP ASSEMBLY



燃油泵组  
FUEL PUMP SET



## 发动机系统 / ENGINE SYSTEM

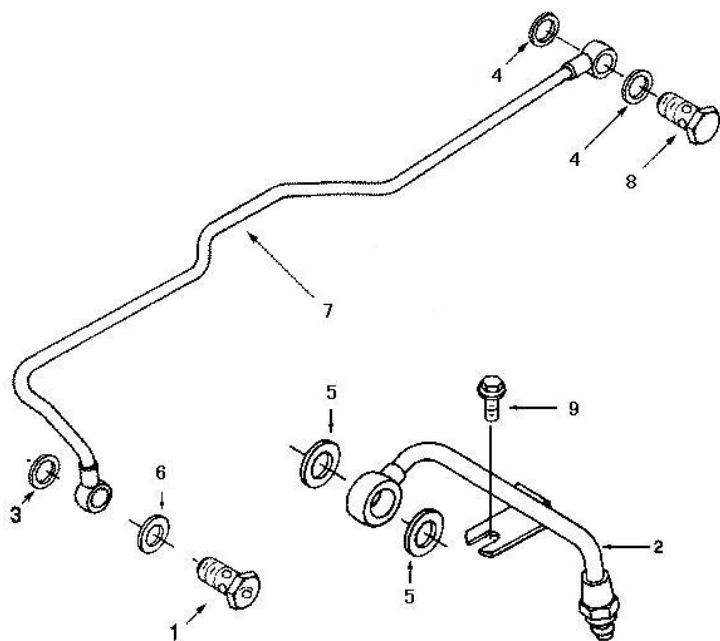
10-36

序号 No.	件号 Part No.	数量 Quantity	名称 Name	规格 Specification	适用产品 Products Applied	备注 Remark
1	3936316	1	输油泵 Fuel Supply Pump		L375 20、L345 20	
2	3963983	2	密封垫片 Seal Shim		L375 20、L345 20	
3	C3909310	2	六角法兰面螺栓 Hexagon Bolt With Flange		L375 20、L345 20	
4	C3916361	1	琶形接头螺栓 Lute Joint Bolt		L375 20、L345 20	
5	C3939258	1	输油泵密封垫 Fuel Supply Pump Gasket		L375 20、L345 20	
6	C3971124	1	燃油输油管 Fuel Delivery Pipe		L375 20、L345 20	
7	4929573	1	装机规格 Installation Ordinance		L375 20、L345 20	
8	C3975927	1	燃油喷射泵 Fuel Injection Pump		L375 20、L345 20	
	C4930968	1	燃油喷射泵 Fuel Injection Pump		L345 20	
	C4932735	1	燃油喷射泵 Fuel Injection Pump		C230 20	

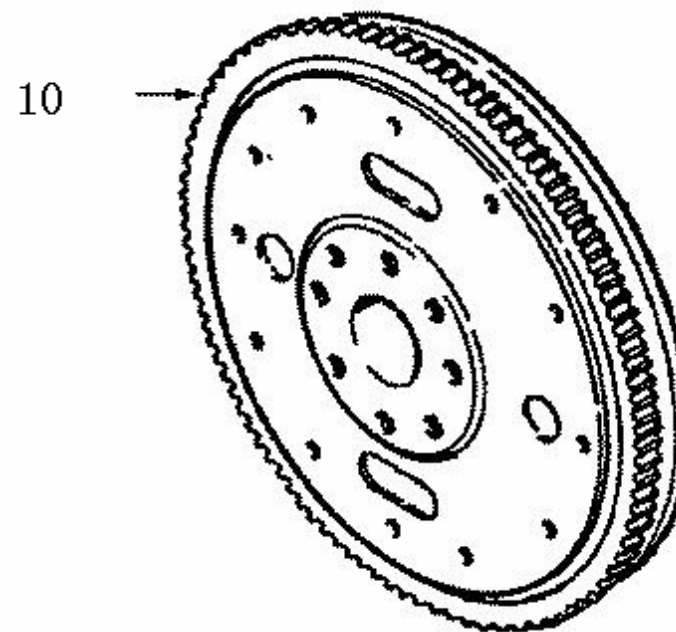
燃油管路组 (FT 9127)、飞轮组 (FW 9782)  
FUEL PIPING SET (FT 9127), FLYWHEEL SET (FW 9782)

**10-P**

燃油管路组  
FUEL PIPING SET



飞轮组  
FLYWHEEL SET

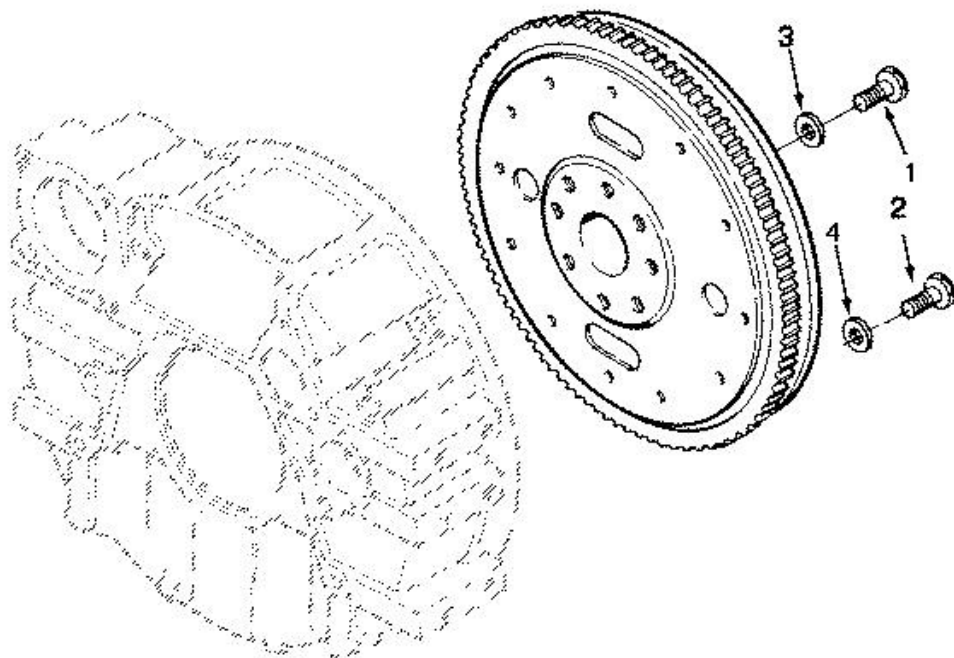


序号 No.	件号 Part No.	数量 Quantity	名称 Name	规格 Specification	适用产品 Products Applied	备注 Remark
1	3957290	1	检查阀 Inspection Valve		L375 20、L345 20	
2	C3415562	1	燃油回油管总成 Fuel Drain Back Pipe Assembly		L375 20、L345 20	
3	C3863988	1	密封垫圈 Seal Washer		L375 20、L345 20	
4	C3863988	2	密封垫圈 Seal Washer		L375 20、L345 20	
5	C3918188	2	密封垫圈 Seal Washer		L375 20、L345 20	
6	C3935171	1	密封垫圈 Seal Washer		L375 20、L345 20	
7	C3971125	1	燃油回油管 Fuel Drain Back Pipe		L375 20、L345 20	
8	C4931051	1	琶形接头螺栓 Lute Joint Bolt		L375 20、L345 20	
9	Q1840612-0H1	1	六角法兰面螺栓 Hexagon Bolt With Flange		L375 20、L345 20	
10	A3960755	1	飞轮总成 Flywheel Assembly		所有东风康明斯搅拌车系列 All DONGFENG CUMMINS Mixer Series	

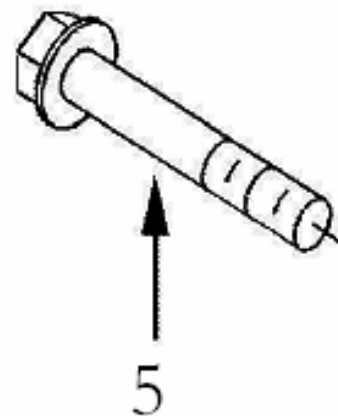
飞轮安装件组 (FW 90025)、齿轮室盖安装件组 (GG 9804)  
FLYWHEEL MOUNTING PART SET(FW 90025),  
GEAR HOUSING COVER MOUNTING PART SET(GG 9804)

**10-Q**

飞轮安装件组  
FLYWHEEL MOUNTING PART SET



齿轮室盖安装件组  
GEAR HOUSING COVER MOUNTING PART SET



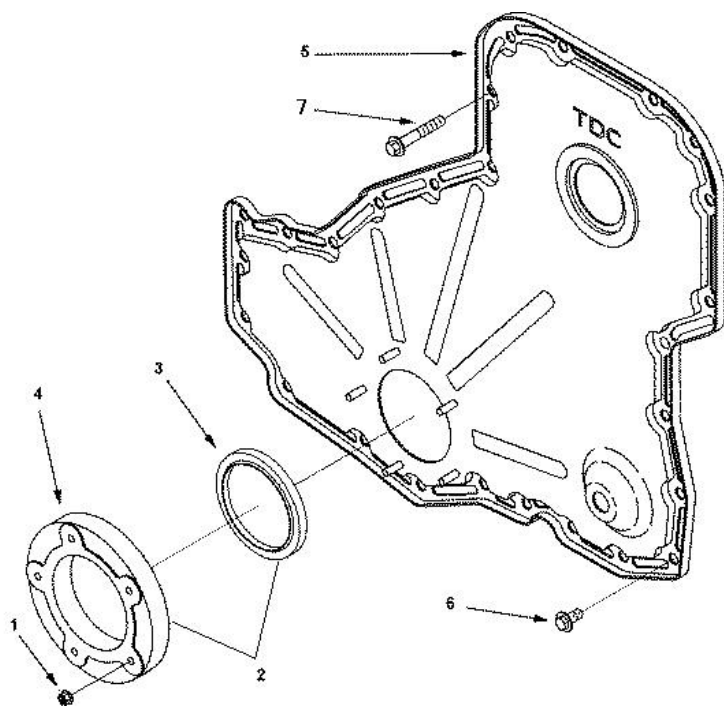
序号 No.	件号 Part No.	数量 Quantity	名称 Name	规格 Specification	适用产品 Products Applied	备注 Remark
1	C3415323	4	飞轮螺栓 Flywheel Bolt		所有东风康明斯搅拌车系列 All DONGFENG CUMMINS Mixer Series	
2	C3415323	4	飞轮螺栓 Flywheel Bolt		所有东风康明斯搅拌车系列 All DONGFENG CUMMINS Mixer Series	
3	C3900269	4	平垫圈 Plate Washer		所有东风康明斯搅拌车系列 All DONGFENG CUMMINS Mixer Series	
4	C3900269	4	平垫圈 Plate Washer		所有东风康明斯搅拌车系列 All DONGFENG CUMMINS Mixer Series	
5	Q1840816-0H1	2	六角法兰面螺栓 Hexagon Bolt With Flange		所有东风康明斯搅拌车系列 All DONGFENG CUMMINS Mixer Series	



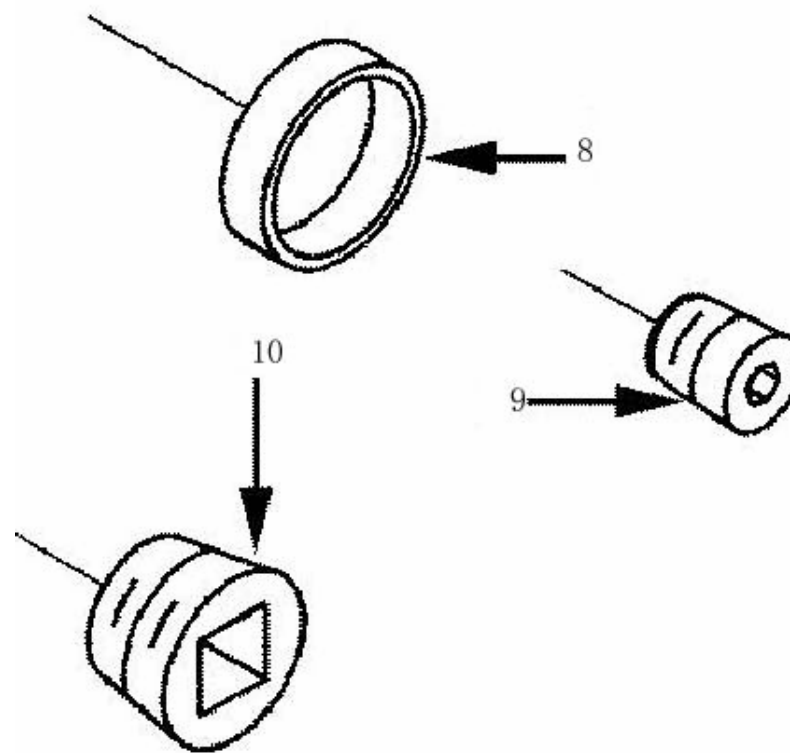
齿轮室盖组 (GG 9806)、暖风安装件组 (HC 9046)  
GEAR HOUSING COVER SET(GG 9806),  
HEATER MOUNTING PART SET(HC 9046)

**10-R**

齿轮室盖组  
GEAR HOUSING COVER SET



暖风安装件组  
HEATER MOUNTING PART SET



发动机系统 / ENGINE SYSTEM

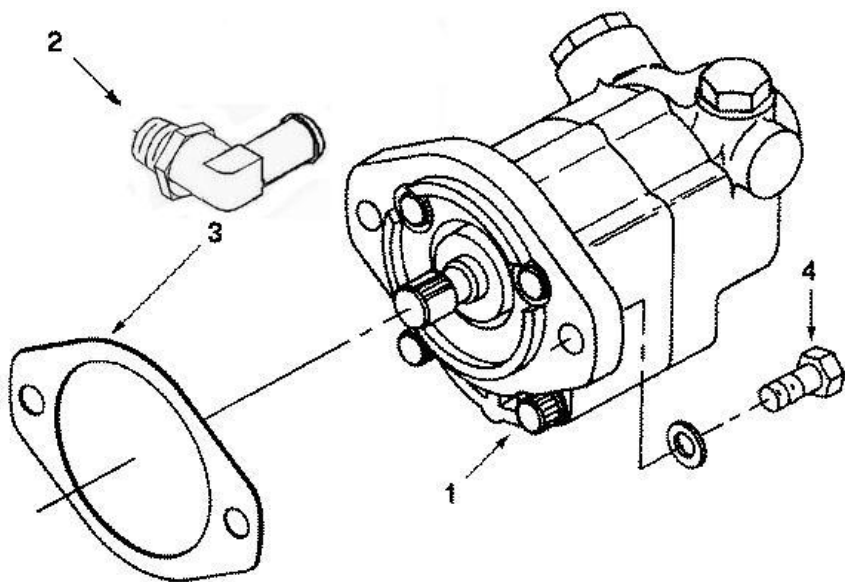
10-42

序号 No.	件号 Part No.	数量 Quantity	名称 Name	规格 Specification	适用产品 Products Applied	备注 Remark
1	C3938077	5	锁紧螺母 Lock Nut			
2	C3942535	1	前油封总成 Front Oil Seal Assembly			
3	3921927	1	曲轴前油封总成 Crankshaft Front Oil Seal Assembly			
4	C3941786	1	前油封座 Front Oil Seal Seat			
5	C3943813	1	齿轮室盖 Gear Housing Cover			
6	Q1840816-0H1	13	六角法兰面螺栓 Hexagon Bolt With Flange			
7	Q1840850-0H1-J1	11	六角法兰面螺栓 Hexagon Bolt With Flange			
8	C156075	2	碗形塞 Bowl Plug		L375 20、L345 20	
9	C3008468	5	内六角锥形螺塞 Hexagon Socket Tapered Screw Plug		L375 20、L345 20	
10	C3008469	3	内六角锥形螺塞 Hexagon Socket Tapered Screw Plug		L375 20、L345 20	

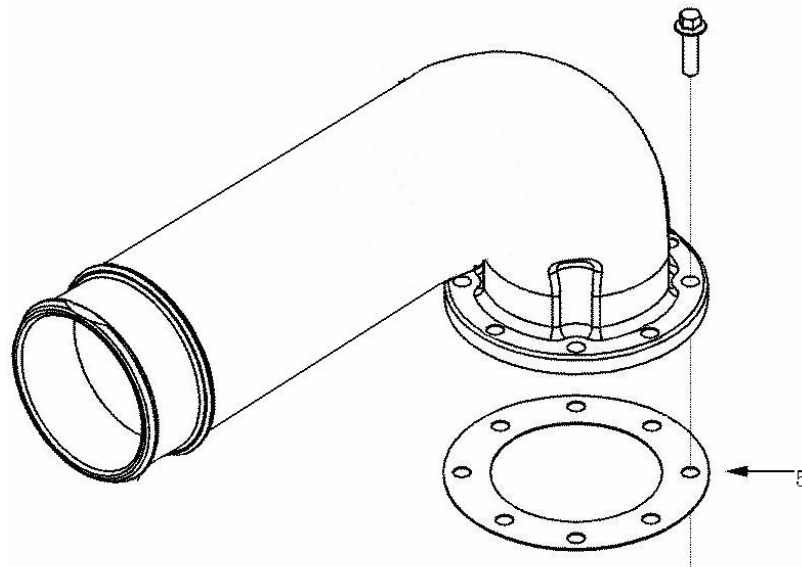
液力转向泵组 (HD 9131)、进气连接件组 (IC 9450)  
HYDRAULIC POWER STEERING PUMP SET(HD 9131),  
INTAKE ATTACHMENT SET(IC 9450)

**10-S**

液力转向泵组  
HYDRAULIC POWER STEERING PUMP SET



进气连接件组  
INTAKE ATTACHMENT SET



发动机系统 / ENGINE SYSTEM

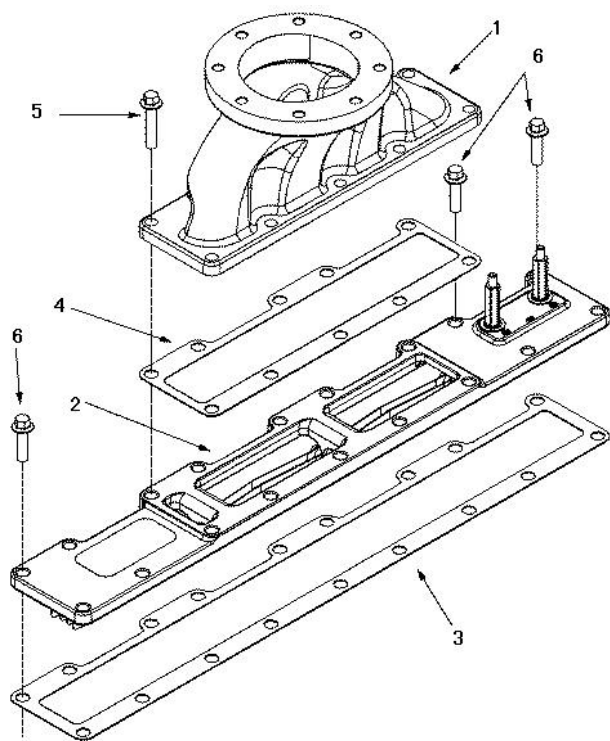
10-44

序号 No.	件号 Part No.	数量 Quantity	名称 Name	规格 Specification	适用产品 Products Applied	备注 Remark
1	3406Z36-001	1	液力转向泵 Hydraulic Power Steering Pump		L375 20、C230 20	
2	34N-06025	1	弯管接头总成 Elbow Joint Assembly		L375 20、C230 20	
3	C154916	1	液压泵密封垫 Hydraulic Pump Gasket		L375 20、C230 20	
4	C3903464	2	六角法兰面螺栓 Hexagon Bolt With Flange			
5	C4929605	1	密封垫 Gasket		L375 20、L345 20	

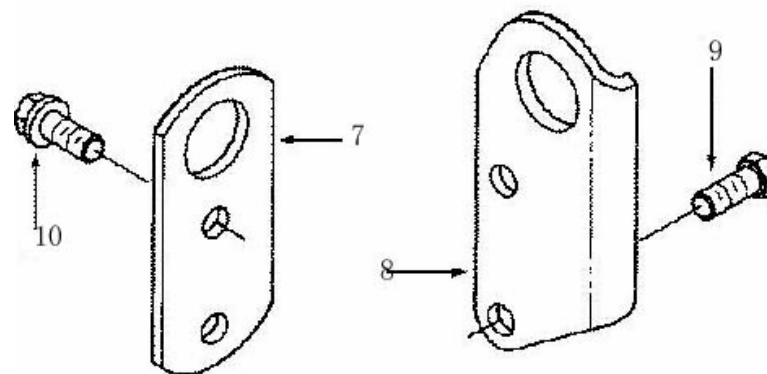
进气歧管组 (IM 9101)、发动机吊耳组 (LA 9028)  
INTAKE MANIFOLD SET (IM 9101), ENGINE SHACKLE SET (LA 9028)

**10-T**

进气歧管组  
INTAKE MANIFOLD SET



发动机吊耳组  
ENGINE SHACKLE SET



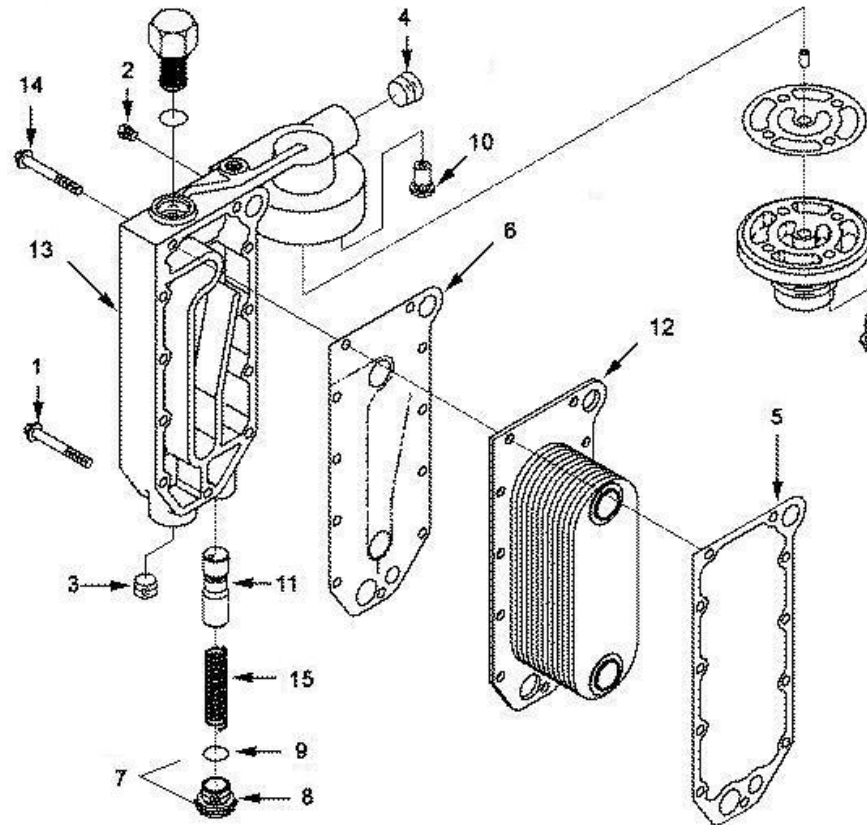
发动机系统 / ENGINE SYSTEM

10-46

序号 No.	件号 Part No.	数量 Quantity	名称 Name	规格 Specification	适用产品 Products Applied	备注 Remark
1	3943613	1	进气接头 Intake Joint		L375 20、L345 20	
2	3944222	1	进气预热器 Intake Preheater		L375 20、L345 20	
3	3944646	1	进气管盖密封垫 Intake Pipe Cover Gasket		L375 20、L345 20	
4	3992090	1	密封垫 Gasket		L375 20、L345 20	
5	A3900678	10	六角法兰面螺栓 Hexagon Bolt With Flange		L375 20、L345 20	
6	Q1840830	3	六角法兰面螺栓 Hexagon Bolt With Flange			
7	3944239	1	发动机吊耳 Engine Shackle		L375 20、L345 20	
8	3944290	1	发动机吊耳 Engine Shackle		L375 20、L345 20	
9	C3901249	2	六角法兰面螺栓 Hexagon Bolt With Flange			
10	Q150B1225	2	六角头螺栓 Hexagon Head Bolt			

## 机油冷却器组 (LC 9765)/OIL COOLER SET(LC 9765)

## 10-U

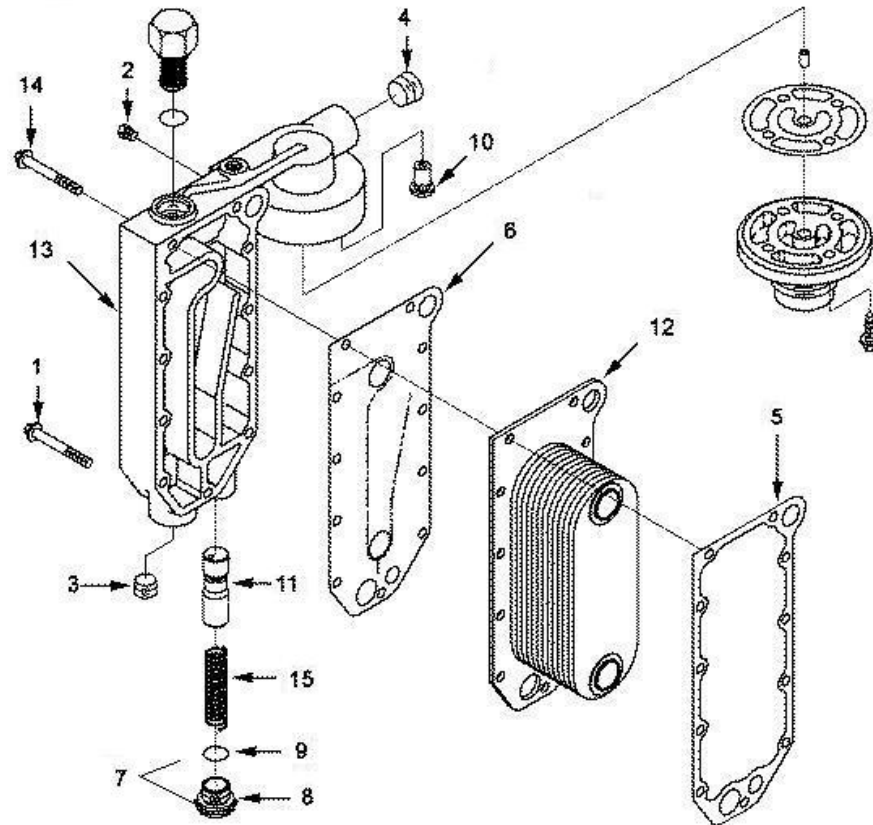


序号 No.	件号 Part No.	数量 Quantity	名称 Name	规格 Specification	适用产品 Products Applied	备注 Remark
1	3944874	3	六角法兰面螺栓 Hexagon Bolt With Flange		L375 20、L345 20	
2	C3008468	1	内六角锥形螺塞 Hexagon Socket Tapered Screw Plug		L375 20、L345 20	
3	C3008469	1	内六角锥形螺塞 Hexagon Socket Tapered Screw Plug		L375 20、L345 20	
4	C3906619	2	六角头锥形螺塞 Hexagon Tapered Screw Plug		L375 20、L345 20	
5	C3918174	1	机油冷却器芯密封垫 Oil Cooler Element Gasket		L375 20、L345 20	
6	C3929011	1	机油冷却器芯密封垫 Oil Cooler Element Gasket		L375 20、L345 20	
7	C3931084	1	螺塞总成 Plug Assembly		L375 20、L345 20	
8	C3930910	1	螺塞 Plug		L375 20、L345 20	
9	C3930911	1	O形密封圈 O-Seal Ring		L375 20、L345 20	
10	C3934410	1	机油旁通阀 Oil Bypass Valve		L375 20、L345 20	
11	C3945967	1	机油调压阀柱塞 Oil Pressure Control Valve Plunger		L375 20、L345 20	
12	C3966365	1	机油冷却器芯 Oil Cooler Element		L375 20、L345 20	
13	C3966884	1	机油滤清器座 Oil Filter Seat		L375 20、L345 20	
14	C3966976	8	六角法兰面螺栓 Hexagon Bolt With Flange		L375 20、L345 20	



## 机油冷却器组 (LC 9765)/OIL COOLER SET(LC 9765)

## 10-U

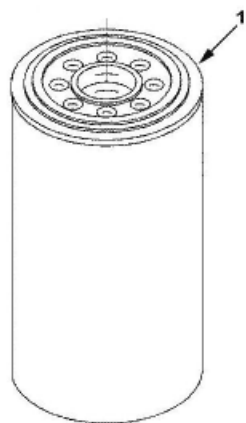


序号 No.	件号 Part No.	数量 Quantity	名称 Name	规格 Specification	适用产品 Products Applied	备注 Remark
1	C3970655	3	压缩弹簧 Compression Spring		L375 20、L345 20	

机油滤清器组 (LF 9130)、机油标尺组 (LG 9898)、机油组 (LO 9701)、  
机油泵组 (LP 9724)/OIL FILTER SET(LF 9130),OIL DIPSTICK SET(LG 9898),  
OIL SET(LO 9701),OIL PUMP SET(LP 9724)

**10-V**

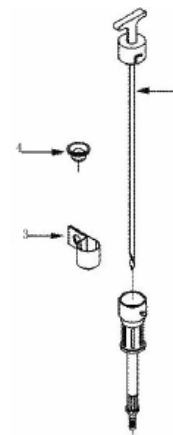
LF 9130



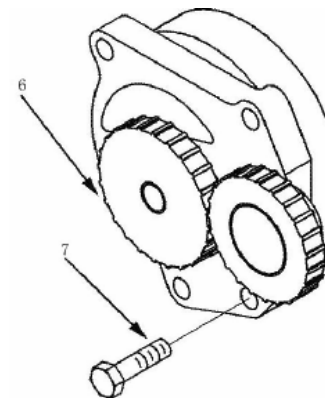
LO 9701



LG 9898



LP 9724



发动机系统 / ENGINE SYSTEM

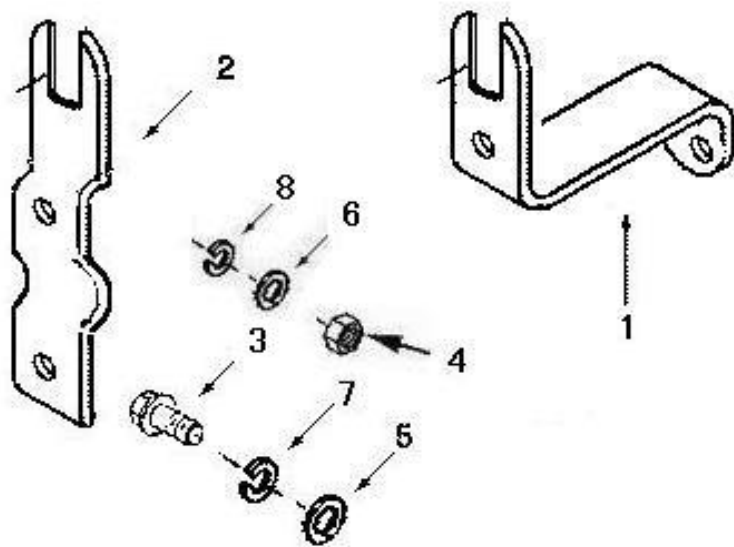
10-52

序号 No.	件号 Part No.	数量 Quantity	名称 Name	规格 Specification	适用产品 Products Applied	备注 Remark
1	3401544	1	机油滤清器 Oil Filter			
2	3969999	1	机油标尺 Oil Dipstick		L375 20、L345 20	
3	C202888	1	管夹 Pipe Clamp		L375 20、L345 20	
4	C3943808	1	碗形塞 Bowl Plug		L375 20、L345 20	
5	3916103	1	标牌 Emblem		L375 20、L345 20	
6	3991123	1	机油泵 Oil Pump		L375 20、L345 20	
7	Q150B0830	4	六角头螺栓 Hexagon Head Bolt			

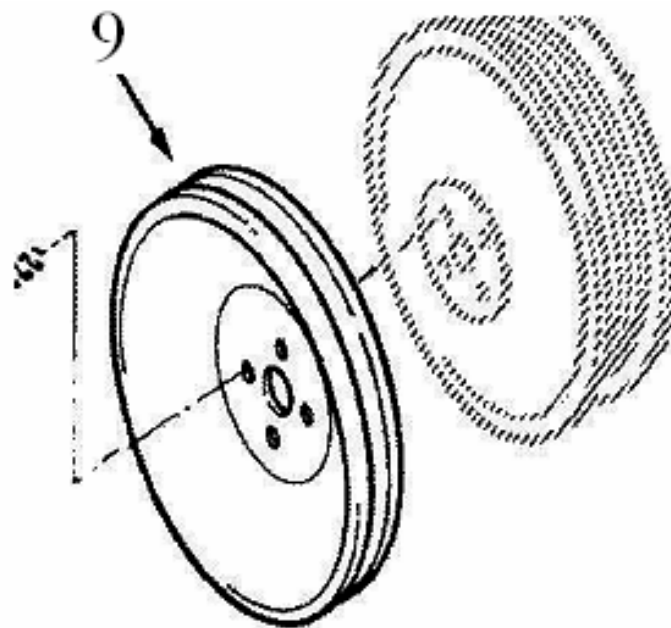
油门操纵组 (MS 9067)、附件驱动皮带轮组 (PA 9001)/THROTTLE CONTROL SET (MS 9067), ACCESSORY DRIVE BELT PULLEY SET (PA 9001)

10-W

油门操纵组  
THROTTLE CONTROL SET



附件驱动皮带轮组  
ACCESSORY DRIVE BELT PULLEY SET



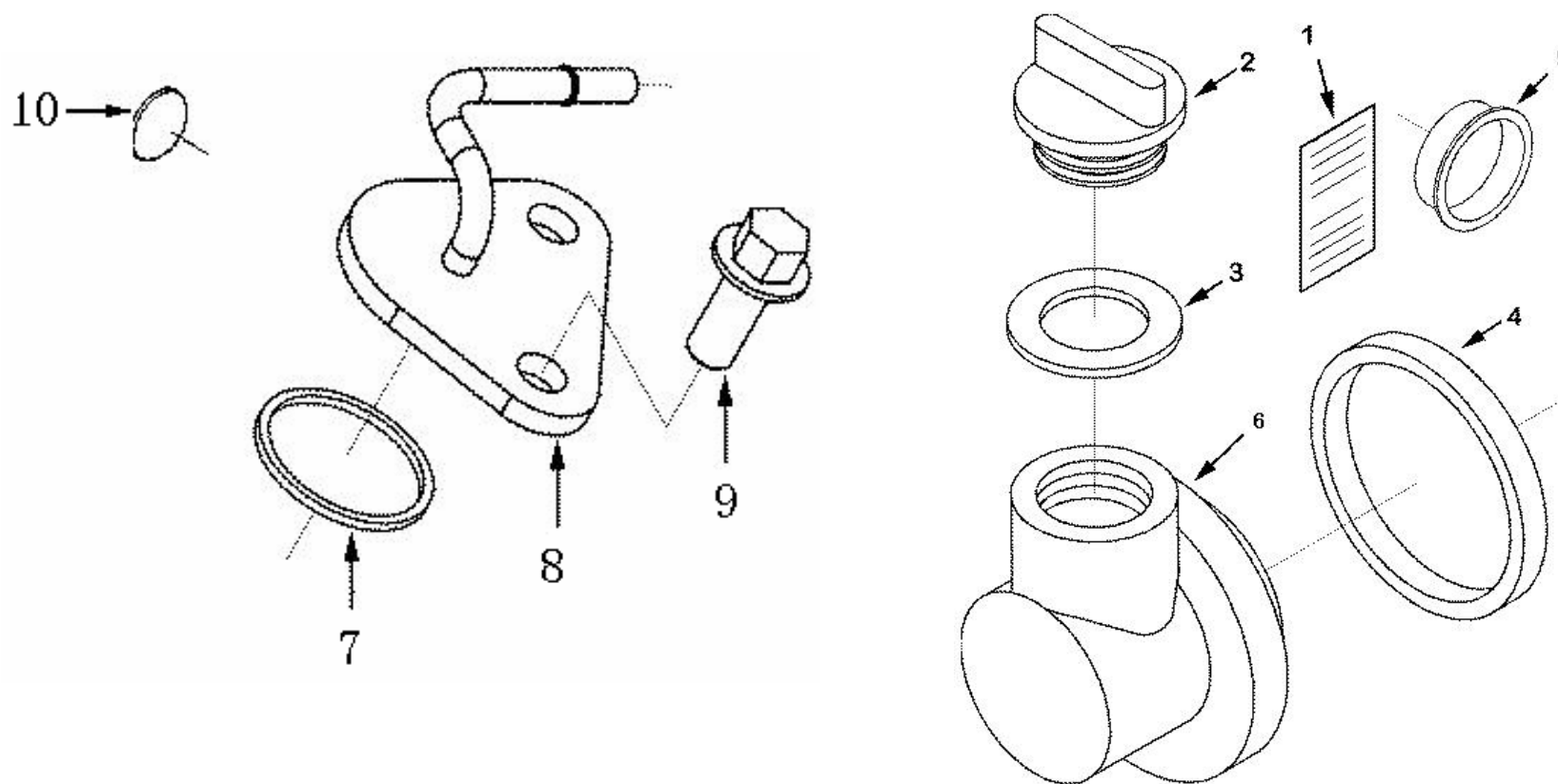
序号 No.	件号 Part No.	数量 Quantity	名称 Name	规格 Specification	适用产品 Products Applied	备注 Remark
1	11N12-08091	1	油泵加速摇臂连接 Oil Pump Accelerating Rocker Arm Connector		L375 20、C325 20、L345 20	
2	C3975926	1	加速操纵线调整固定板 Accelerating Control Adjusting Fixing Plate		L375 20、C325 20、L345 20	
3	Q150B0620	1	六角头螺栓 Hexagon Head Bolt			
4	Q340B08	2	I 型六角螺母 Hexagon Full Nut			
5	Q40106	1	平垫圈 Plate Washer			
6	Q40108	2	平垫圈 Plate Washer			
7	Q40306	1	弹簧垫圈 Spring Washer			
8	Q40308	2	弹簧垫圈 Spring Washer			
9	C3919624	1	附件驱动皮带轮 Accessory Drive Belt Pulley			

缸体加油附件组 (OB 9363)、缸体加油附件组 (OB 9377)  
CYLINDER OIL FILLER ACCESSORY SET(OB 9363),  
CYLINDER OIL FILLER ACCESSORY SET(OB 9377)

**10-X**

OB 9363

OB 9377



# 发动机系统 / ENGINE SYSTEM

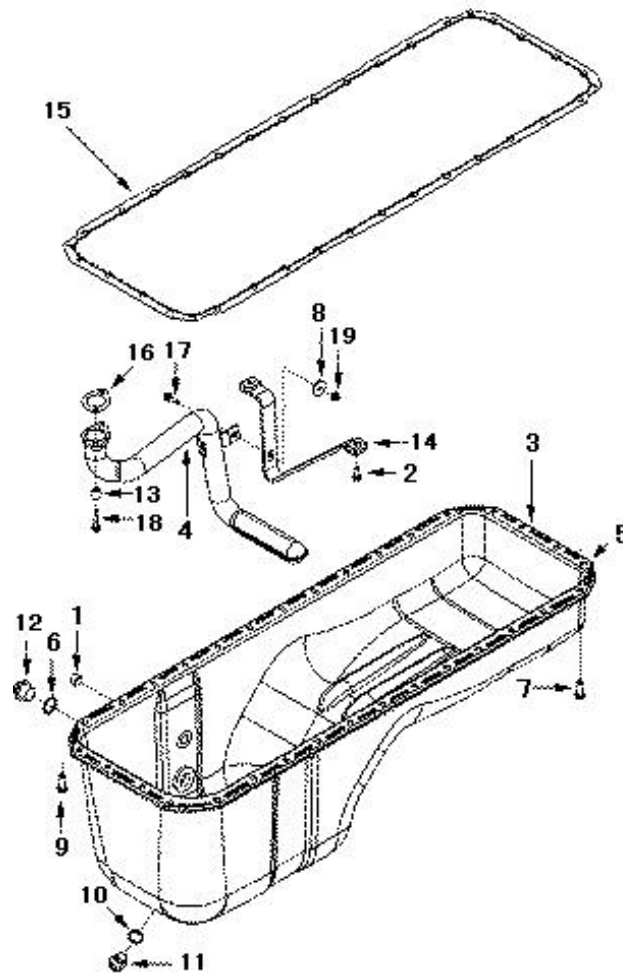
10-56

序号 No.	件号 Part No.	数量 Quantity	名称 Name	规格 Specification	适用产品 Products Applied	备注 Remark
1	C3415403	1	标签 - 润滑油使用要求 Label-Lubricant Service Requirement		L375 20、L345 20	
2	C3901895	1	加机油口盖 Oil Filler Cap		L375 20、L345 20	
3	C3902363	1	矩形密封圈 Rectangle Seal Ring		L375 20、L345 20	
4	C3903475	1	矩形密封圈 Rectangle Seal Ring		L375 20、L345 20	
5	C3905401	1	碗形塞 Bowl Plug		L375 20、L345 20	
6	C3921644	1	加机油接管 Oil Filler Pipe		L375 20、L345 20	
7	3906696	1	矩形密封圈 Rectangle Seal Ring		L375 20、L345 20	
8	3964393	1	回油接头 Return Connector		L375 20、L345 20	
9	A3910495	2	六角法兰面螺栓 Hexagon Bolt With Flange		L375 20、L345 20	
10	C3920706	1	碗形塞 Bowl Plug		L375 20、L345 20	



## 油底壳组 (OP 9337)/OIL PAN SET(OP 9337)

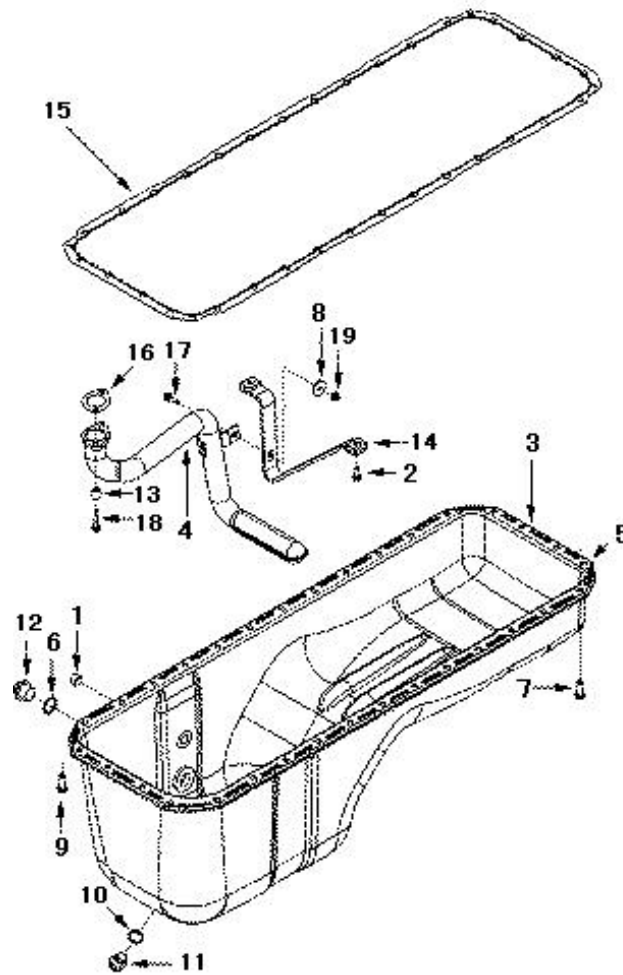
10-Y



序号 No.	件号 Part No.	数量 Quantity	名称 Name	规格 Specification	适用产品 Products Applied	备注 Remark
1	3013786	1	内六角锥形螺塞 Hexagon Socket Tapered Screw Plug		L375 20、L345 20	
2	3913638	2	六角法兰面螺栓 Hexagon Bolt With Flange		L375 20、L345 20	
3	3944258	1	油底壳 Oil Pan		L375 20、L345 20	
4	3944264	1	机油吸油管总成 Oil Suction Pipe Assembly		L375 20、L345 20	
5	3965800	4	夹紧板 Clamping Plate		L375 20、L345 20	
6	C3902425	1	密封垫圈 Seal Washer		L375 20、L345 20	
7	C3907860	16	六角法兰面螺栓 Hexagon Bolt With Flange		L375 20、L345 20	
8	C3910960	1	平垫圈 Plate Washer		L375 20、L345 20	
9	C3920400	16	六角法兰面螺栓 Hexagon Bolt With Flange		L375 20、L345 20	
10	C3920773	1	密封垫圈 Seal Washer		L375 20、L345 20	
11	C3924147	1	油底壳螺塞 Oil Pan Plug		L375 20、L345 20	
12	C3924148	1	螺塞 Plug		L375 20、L345 20	
13	C3926865	2	隔块 Block		L375 20、L345 20	
14	C3927611	1	管路支架 Line Support		L375 20、L345 20	

## 油底壳组 (OP 9337)/OIL PAN SET(OP 9337)

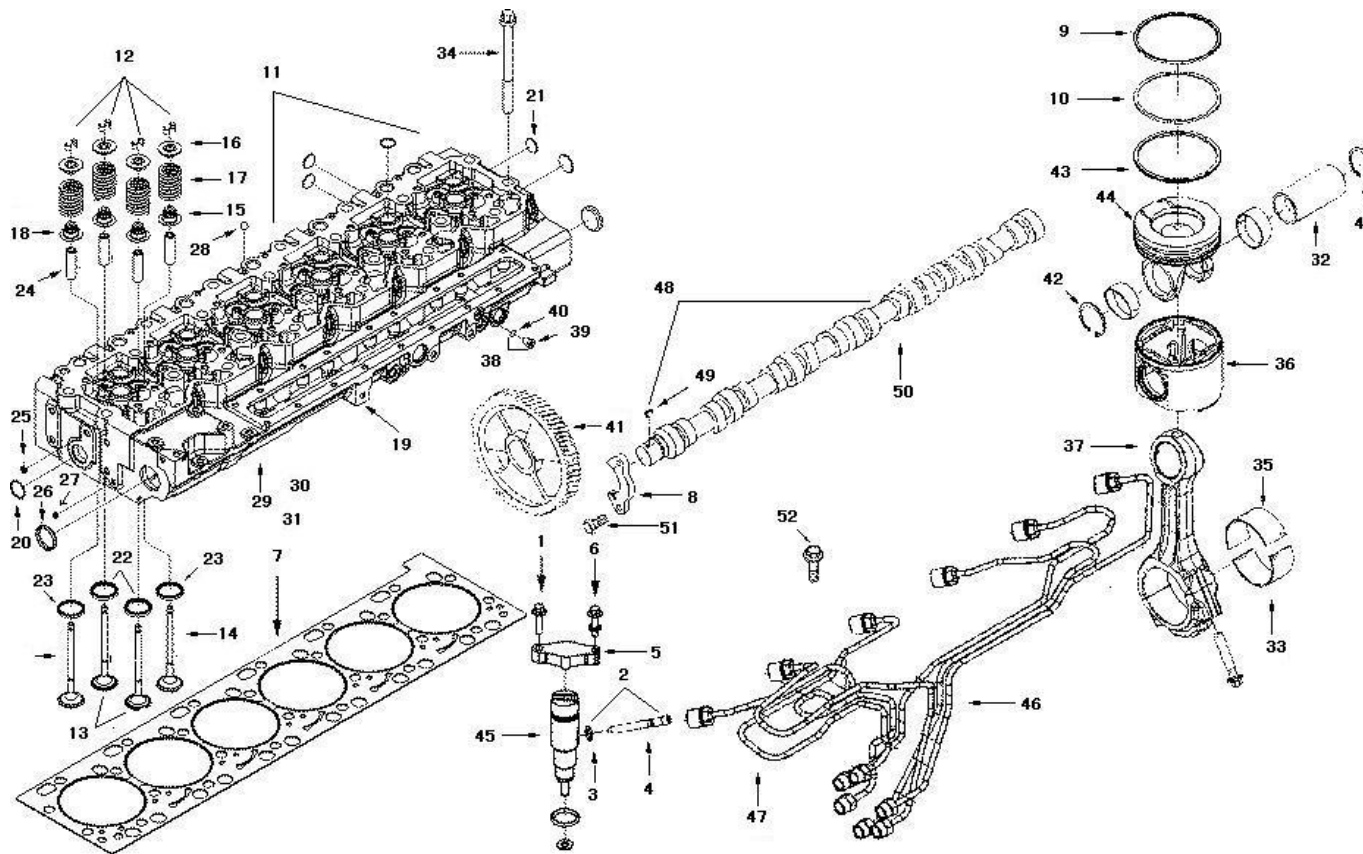
10-Y



序号 No.	件号 Part No.	数量 Quantity	名称 Name	规格 Specification	适用产品 Products Applied	备注 Remark
15	C3938160	1	油底壳密封垫 Oil Pan Gasket		L375 20、L345 20	
16	C3939352	1	机油吸油管密封垫 Oil Suction Pipe Gasket		L375 20、L345 20	
17	Q1840620	1	六角法兰面螺栓 Hexagon Bolt With Flange		L375 20、L345 20	
18	Q1840630	2	六角法兰面螺栓 Hexagon Bolt With Flange		L375 20、L345 20	
19	Q32006	1	六角法兰面螺母 Hexagon Nut With Flange		L375 20、L345 20	

## 性能件组 (PP 40388)/FUNCTIONAL PART SET(PP 40388)

## 10-Z



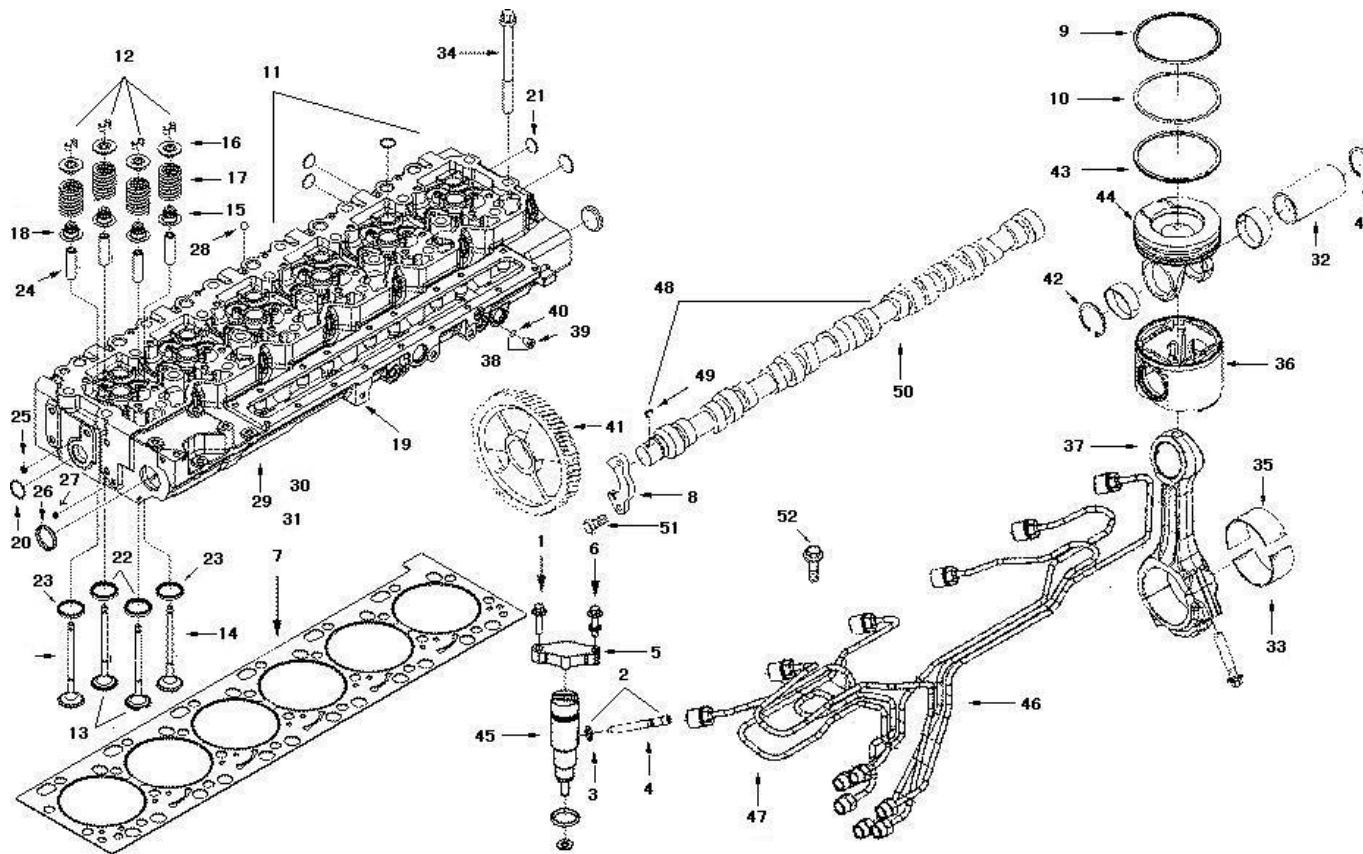
# 发动机系统 / ENGINE SYSTEM

10-62

序号 No.	件号 Part No.	数量 Quantity	名称 Name	规格 Specification	适用产品 Products Applied	备注 Remark
1	3902023	6	六角法兰面螺栓 Hexagon Bolt With Flange		L375 20、L345 20	
2	3936953	6	直通接头体 Straight Joint		L375 20、L345 20	
3	3882589	1	O形密封圈 O-Seal Ring		L375 20、L345 20	
4	3944833	1	直通接头体 Straight Joint		L375 20、L345 20	
5	3940639	6	夹紧板 Clamping Plate		L375 20、L345 20	
6	3940817	6	六角法兰面螺栓 Hexagon Bolt With Flange		L375 20、L345 20	
7	3943366	1	气缸垫 Cylinder Gasket		L375 20、L345 20	
8	3944001	1	凸轮轴止推片 Camshaft Thrust Spacer		L375 20、L345 20	
9	3948228	6	压缩环 Compression Ring		L375 20、L345 20	
10	3948412	6	压缩环 Compression Ring		L375 20、L345 20	
11	3948583	1	气缸盖组合件 Cylinder Head Set		L375 20、L345 20	
12	3900250	48	气门锁块 Valve Lock Piece		L375 20、L345 20	
13	3942588	12	进气阀 Intake Valve		L375 20、L345 20	
14	3942589	12	排气阀 Exhaust Valve		L375 20、L345 20	

## 性能件组 (PP 40388)/FUNCTIONAL PART SET(PP 40388)

## 10-Z



发动机系统 / ENGINE SYSTEM

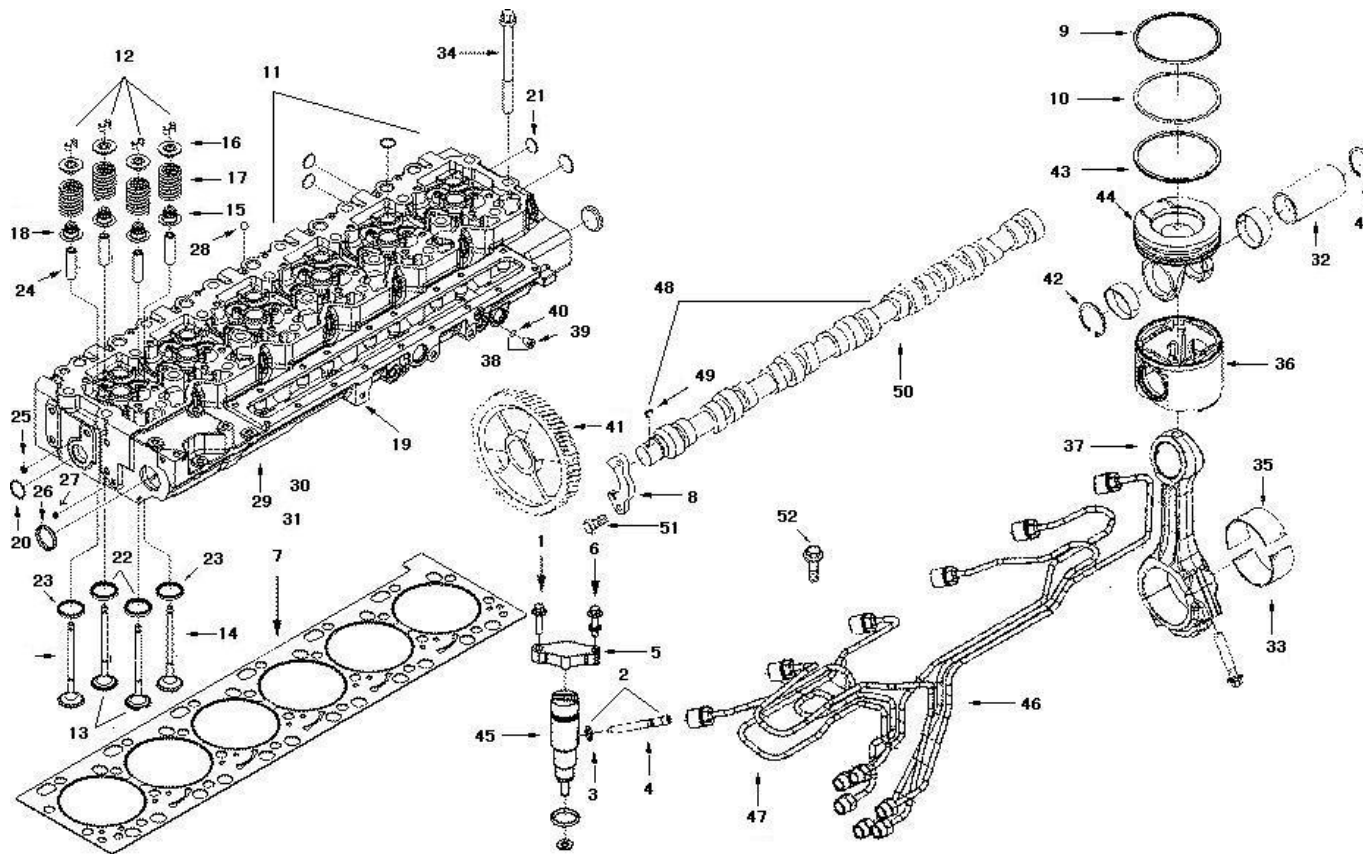
10-64

序号 No.	件号 Part No.	数量 Quantity	名称 Name	规格 Specification	适用产品 Products Applied	备注 Remark
15	3943888	12	气阀杆油封 Valve Stem Oil Seal		L375 20、L345 20	
16	3944452	24	气阀弹簧座 Valve Spring Seat		L375 20、L345 20	
17	3944711	24	气阀弹簧 Valve Spring		L375 20、L345 20	
18	3948578	12	气阀杆油封 Valve Stem Oil Seal		L375 20、L345 20	
19	C3945022	1	气缸盖总成 Cylinder Head Assembly		L375 20、L345 20	
20	3032693	2	碗形塞 Bowl Plug		L375 20、L345 20	
21	3940152	12	进气座圈 Intake Seat Ring		L375 20、L345 20	
22	3940153	12	排气座圈 Exhaust Seat Ring		L375 20、L345 20	
23	3942645	24	碗形塞 Bowl Plug		L375 20、L345 20	
24	C3920706	17	进排气导管 Intake And Exhaust Duct		L375 20、L345 20	
25	C3945021	1	气缸盖 Cylinder Head		L375 20、L345 20	
26	C4930247	1	气缸盖(半成品) Cylinder Head(Semi-Finished Product)		L375 20、L345 20	
27	3943566	1	气缸盖毛坯 Cylinder Head Blank		L375 20、L345 20	
28	C3945093	1	碗形塞 Bowl Plug		L375 20、L345 20	



## 性能件组 (PP 40388)/FUNCTIONAL PART SET(PP 40388)

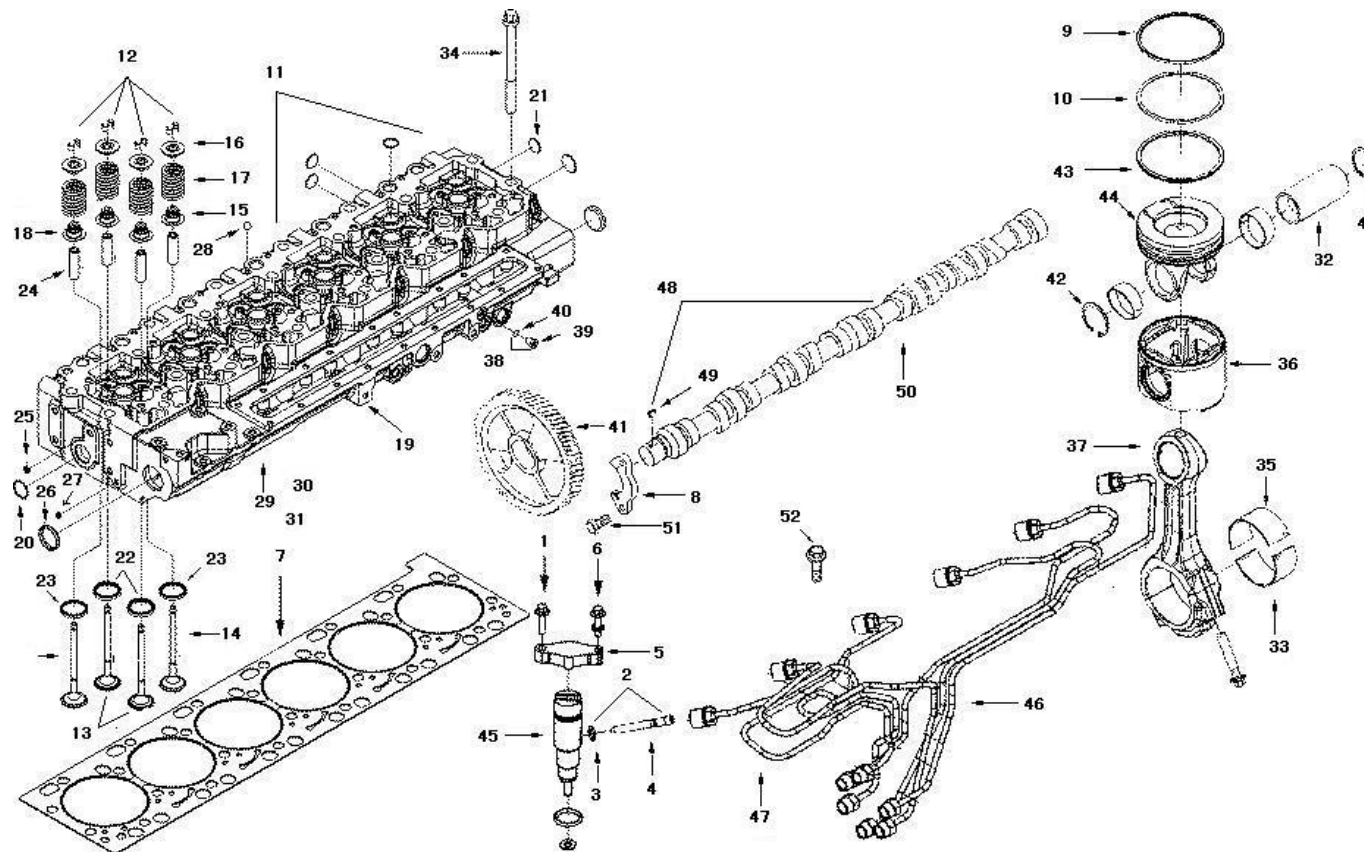
## 10-Z



序号 No.	件号 Part No.	数量 Quantity	名称 Name	规格 Specification	适用产品 Products Applied	备注 Remark
29	C3945094	2	碗形塞 Bowl Plug		L375 20、L345 20	
30	C3945097	1	碗形塞 Bowl Plug		L375 20、L345 20	
31	C3945098	6	碗形塞 Bowl Plug		L375 20、L345 20	
32	3950549	6	活塞销 Piston Pin		L375 20、L345 20	
33	3950661	6	连杆瓦 Connecting Rod Bearing Shell		L375 20、L345 20	
34	3960043	26	六角法兰面螺栓 Hexagon Bolt With Flange		L375 20、L345 20	
35	3966244	6	连杆瓦 Connecting Rod Bearing Shell		L375 20、L345 20	
36	3966721	6	活塞裙部 Piston Skirt		L375 20、L345 20	
37	3971393	6	连杆 Connecting Rod		L375 20、L345 20	
38	C3678923	1	螺塞 Plug		L375 20、L345 20	
39	C3678924	1	内六角锥形螺塞 Hexagon Socket Tapered Screw Plug		L375 20、L345 20	
40	C3678925	1	O形密封圈 O-Seal Ring		L375 20、L345 20	
41	C3918777	1	凸轮轴齿轮 Camshaft Gear		L375 20、L345 20	
42	C3920692	12	挡圈 Retainer Ring		L375 20、L345 20	

## 性能件组 (PP 40388)/FUNCTIONAL PART SET(PP 40388)

## 10-Z

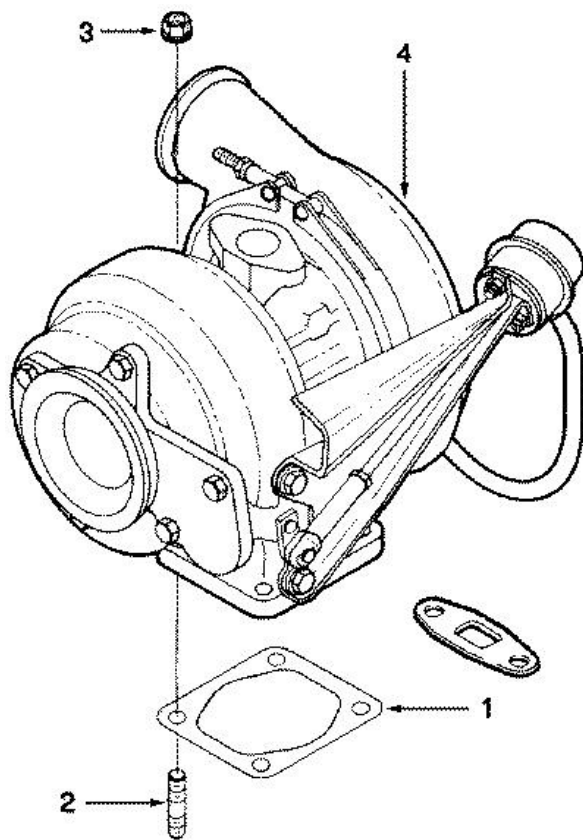


序号 No.	件号 Part No.	数量 Quantity	名称 Name	规格 Specification	适用产品 Products Applied	备注 Remark
43	C3921919	6	油环 Oil Ring		L375 20、L345 20	
44	C3967507	6	活塞顶部 Piston Head		L375 20、L345 20	
45	C3975929	6	喷油器 Injector		L375 20、L345 20	
46	C3976433	1	高压油管 High Pressure Oil Pipe		L375 20、L345 20	
47	C3976434	1	高压油管 High Pressure Oil Pipe		L375 20、L345 20	
48	C3976620	1	凸轮轴 Camshaft		L375 20、L345 20	
49	C3917883	1	定位销 Locating Pin		L375 20、L345 20	
50	C3976619	1	凸轮轴 Camshaft		L375 20、L345 20	
51	Q150B0822	2	六角头螺栓 Hexagon Head Bolt			
52	Q1840830	1	六角法兰面螺栓 Hexagon Bolt With Flange			

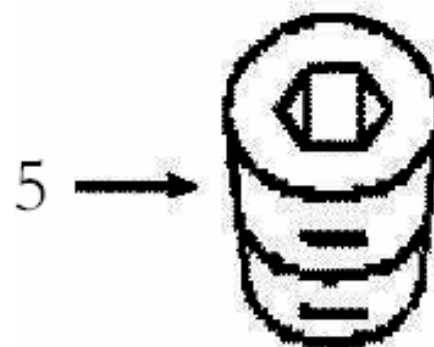
增压器组 (PP 98671)、缸盖管路组 (PP 98993)  
SUPERCHARGER SET (PP 98671), CYLINDER HEAD LINE SET (PP 98993)

10-AA

增压器组  
SUPERCHARGER SET



缸盖管路组  
CYLINDER HEAD LINE SET



发动机系统 /ENGINE SYSTEM

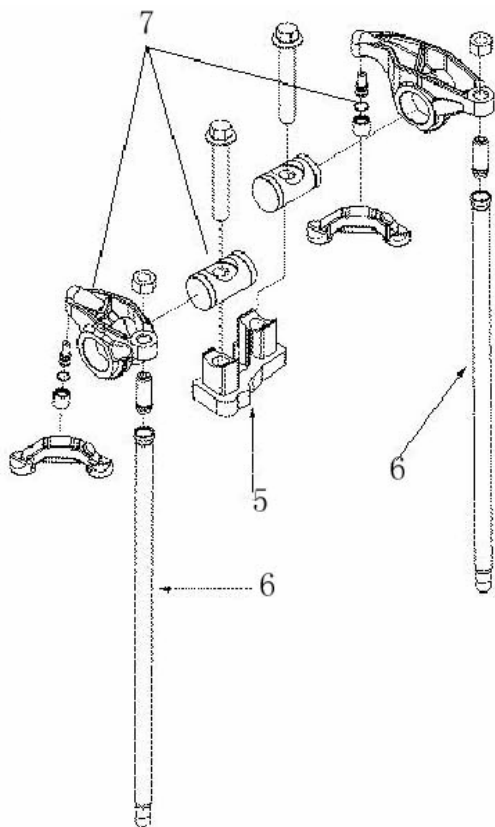
10-70

序号 No.	件号 Part No.	数量 Quantity	名称 Name	规格 Specification	适用产品 Products Applied	备注 Remark
1	3901356	1	增压器密封垫 Supercharger Gasket		L375 20、L345 20	
2	C3818823	4	双头螺栓 Stud Bolt		L375 20、L345 20	
3	C3818824	4	六角法兰面螺母 Hexagon Nut With Flange		L375 20、L345 20	
4	C4051033	1	增压器 Supercharger		L375 20、L345 20	
5	C3008469	1	内六角锥形螺塞 Hexagon Socket Tapered Screw Plug		L375 20、L345 20	

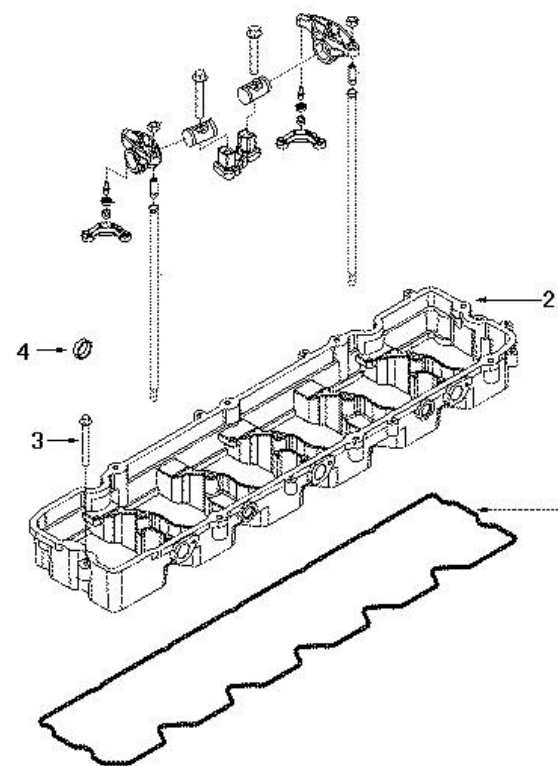
摇臂组 (RL 9757)、摇臂组 (RL 9768)  
ROCKER ARM SET (RL 9757), ROCKER ARM SET (RL 9768)

**10-AB**

RL 9757



RL 9768



发动机系统 / ENGINE SYSTEM

10-72

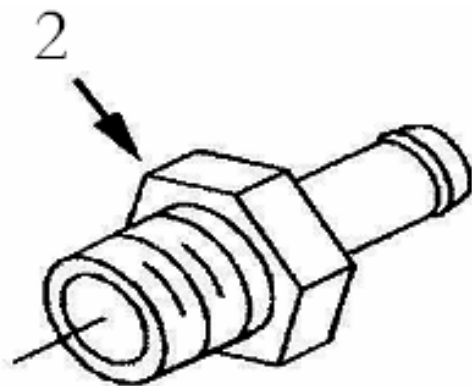
序号 No.	件号 Part No.	数量 Quantity	名称 Name	规格 Specification	适用产品 Products Applied	备注 Remark
1	3966708	1	调整垫 Adjusting Shim		L375 20	
2	3967265	1	摇臂室 Rocker Arm Case		L375 20	
3	C3901447	5	六角法兰面螺栓 Hexagon Bolt With Flange		L375 20	
4	C3920706	3	碗形塞 Bowl Plug		L375 20	
5	3943445	12	气阀摇臂桥 Valve Rocker Arm Shaft		L375 20	
6	3964715	12	推杆 Push Rod		L375 20	
7	3972540	6	摇臂总成 Rocker Arm Assembly		L375 20	



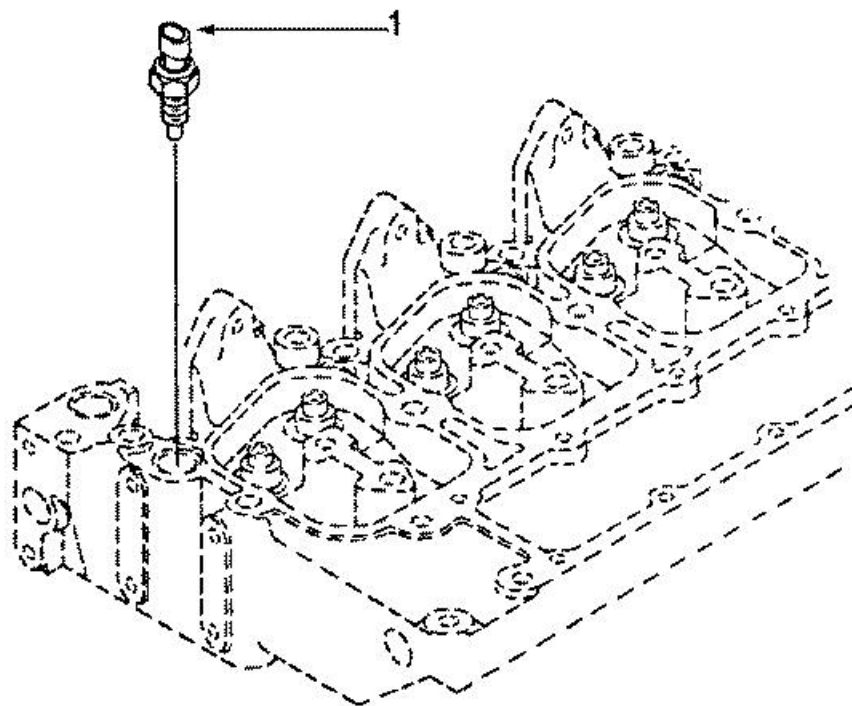
发动机出气管组 (RP 9042)、水温传感器组 (SD 9113)/ENGINE OUTLET PIPE  
SET(RP 9042),WATER TEMPERATURE SENSOR SET(SD 9113)

10-AC

发动机出气管组  
ENGINE OUTLET PIPE SET



水温传感器组  
WATER TEMPERATURE SENSOR SET



发动机系统 /ENGINE SYSTEM

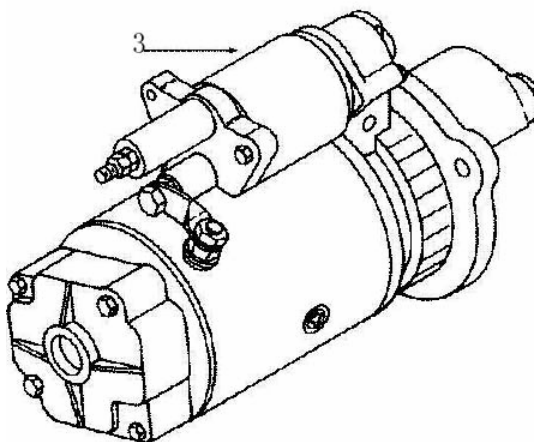
10-74

序号 No.	件号 Part No.	数量 Quantity	名称 Name	规格 Specification	适用产品 Products Applied	备注 Remark
1	C3979176	1	水温传感器 Water Temperature Sensor		L375 20、C300 20、L345 20	
2	C3943670	1	接头 Joint		L375 20、L345 20	

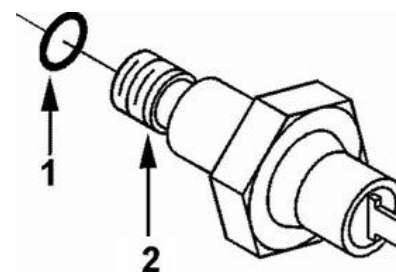
起动机组 (ST 9344)、压力报警传感器组 (SD 9169)、起动机安装件组 (SM 9772)  
STARTER SET(ST 9344),PRESSURE ALARM SENSOR SET(SD 9169),STARTER  
MOUNTING PART SET (SM 9772)

## 10-AD

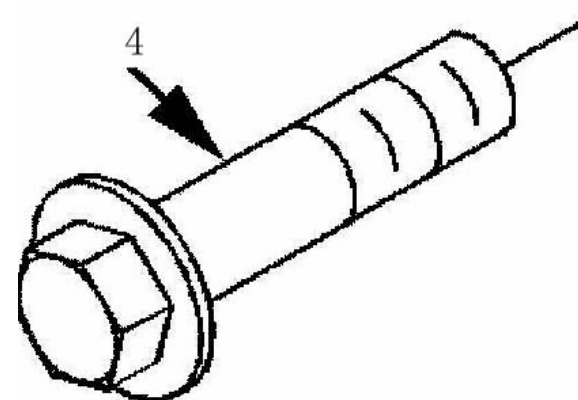
起动机组  
STARTER SET



压力报警传感器组  
PRESSURE ALARM SENSOR SET



起动机安装组  
STARTER MOUNTING PART



发动机系统 / ENGINE SYSTEM

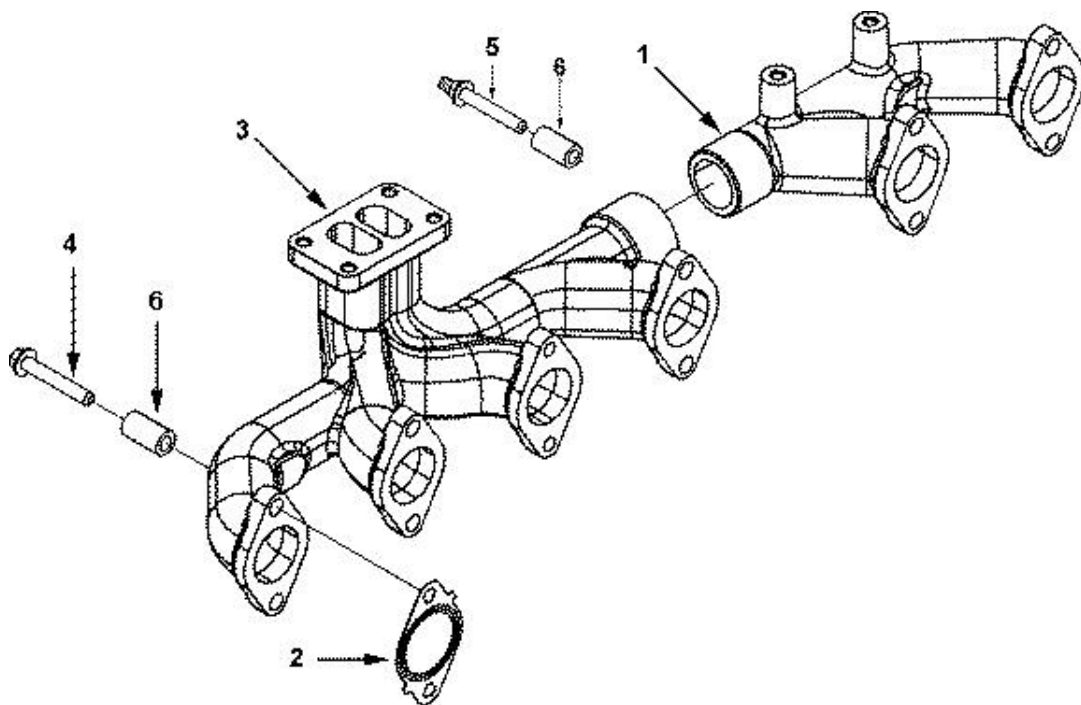
10-76

序号 No.	件号 Part No.	数量 Quantity	名称 Name	规格 Specification	适用产品 Products Applied	备注 Remark
1	C3678912	1	O形密封圈 O-Seal Ring		L375 20、L345 20、C230 20	
2	C4931169	1	压力报警传感器 Pressure Alarm Sensor		L375 20、L345 20、C230 20	
3	C3415538	1	起动机 Starter		L375 20、C260 20、L345 20、C230 20	
4	C3908321	3	十二角头螺栓 Bihexagonal Head Bolt		L375 20、L345 20	

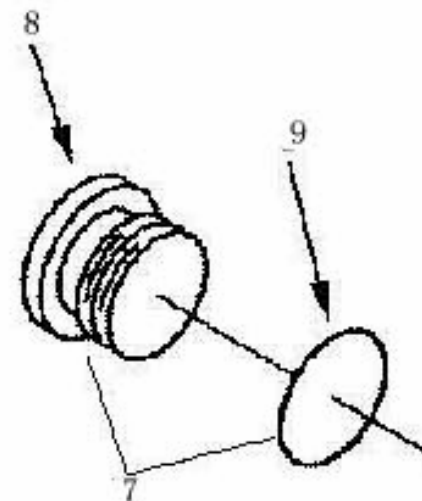
增压器布置组 (TB 91272)、扭矩转换器冷却组 (TK 9022)/SUPERCHARGER LAYOUT SET(TB 91272),TORQUE CONVERTER COOLING SET(TK 9022)

10-AE

增压器布置组  
SUPERCHARGER LAYOUT SET



扭矩转换器冷却组  
TORQUE CONVERTER COOLING SET



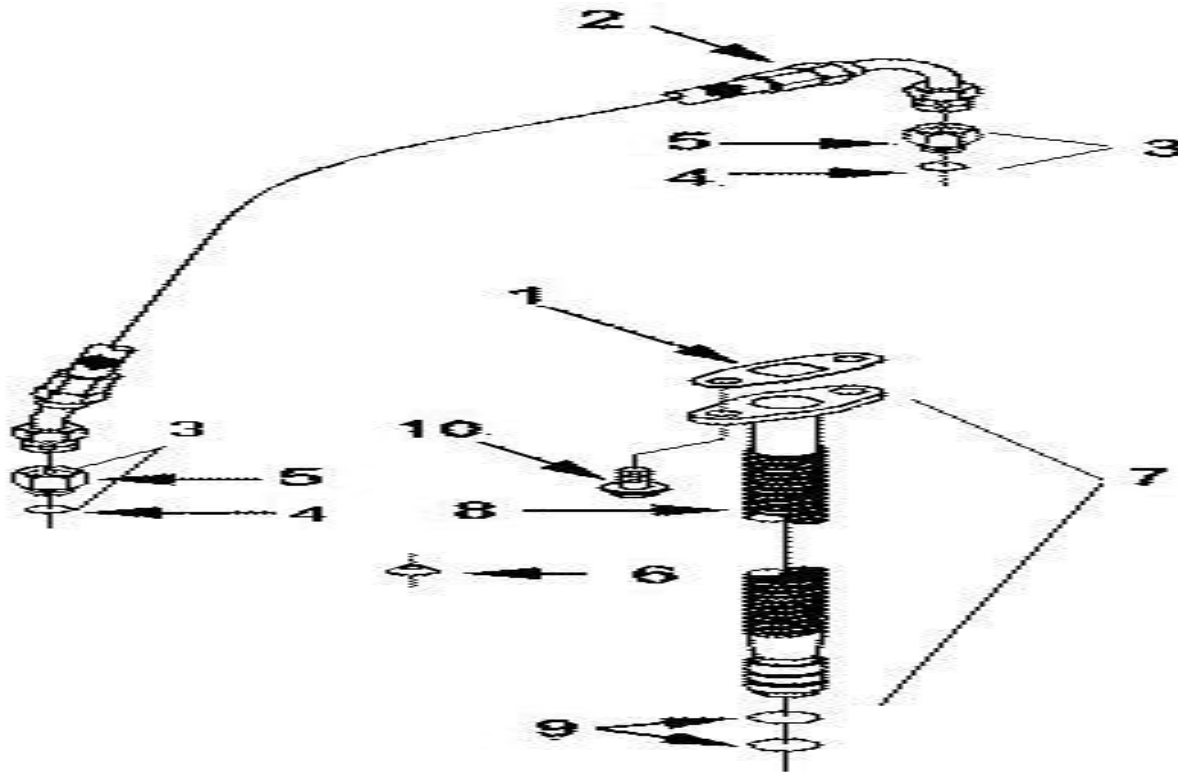
发动机系统 / ENGINE SYSTEM

10-78

序号 No.	件号 Part No.	数量 Quantity	名称 Name	规格 Specification	适用产品 Products Applied	备注 Remark
1	3937477	1	排气歧管 Exhaust Manifold		L375 20、L345 20	
2	3937479	6	排气管垫 Exhaust Pipe Gasket		L375 20、L345 20	
3	3943841	1	排气歧管 Exhaust Manifold		L375 20、L345 20	
4	3944593	11	六角法兰面螺栓 Hexagon Bolt With Flange		L375 20、L345 20	
5	3944655	1	六角法兰面螺栓 Hexagon Bolt With Flange		L375 20、L345 20	
6	3945252	12	安装隔块 Mounting Block		L375 20、L345 20	
7	C3089238	2	螺塞 Plug		L375 20、C300 20、L345 2、C230 20	
8	C3089239	1	内六角锥形螺塞 Hexagon Socket Tapered Screw Plug		L375 20、C300 20、L345 2、C230 20	
9	C3089240	1	O形密封圈 O-Seal Ring		L375 20、C300 20、L345 2、C230 20	

## 增压器管路组 (TP 97236)/SUPERCHARGER LINE SET(TP 97236)

10-AF



发动机系统 / ENGINE SYSTEM

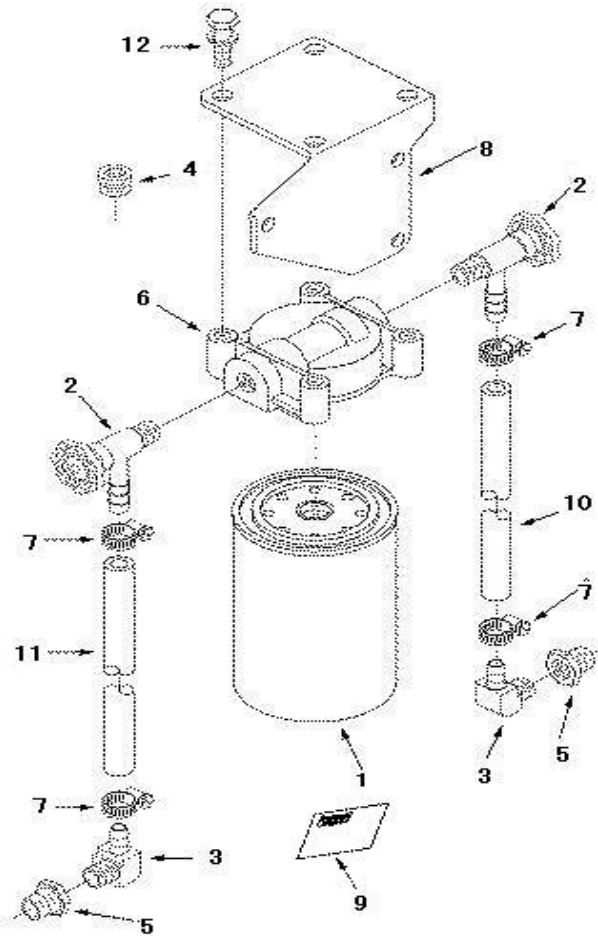
10-80

序号 No.	件号 Part No.	数量 Quantity	名称 Name	规格 Specification	适用产品 Products Applied	备注 Remark
1	3937706	1	回油管密封垫 Return Pipe Gasket		L375 20、C325 20、L345 20	
2	C3415317	1	组合软管 Combination Hose		L375 20、C325 20、L345 20	
3	C3415347	2	内螺纹接头总成 Internal Thread Connector Assembly		L375 20、C325 20、L345 20	
4	C3037236	1	O形密封圈 O-Seal Ring		L375 20、C325 20、L345 20	
5	C3415328	1	内螺纹接头 Internal Thread Connector		L375 20、C325 20、L345 20	
6	C3924389	2	密封垫圈 Seal Washer		L375 20、C325 20、L345 20	
7	C3928629	1	增压器回油管 Supercharger Return Pipe		L375 20、C325 20、L345 20	
8	C3926842	1	增压器回油管 Supercharger Return Pipe		L375 20、C325 20、L345 20	
9	C3928624	2	O形密封圈 O-Seal Ring		L375 20、C325 20、L345 20	
10	Q1840820	2	六角法兰面螺栓 Hexagon Bolt With Flange			



## 水滤清器组 (WF 9094)/WATER FILTER SET(WF 9094)

## 10-AG

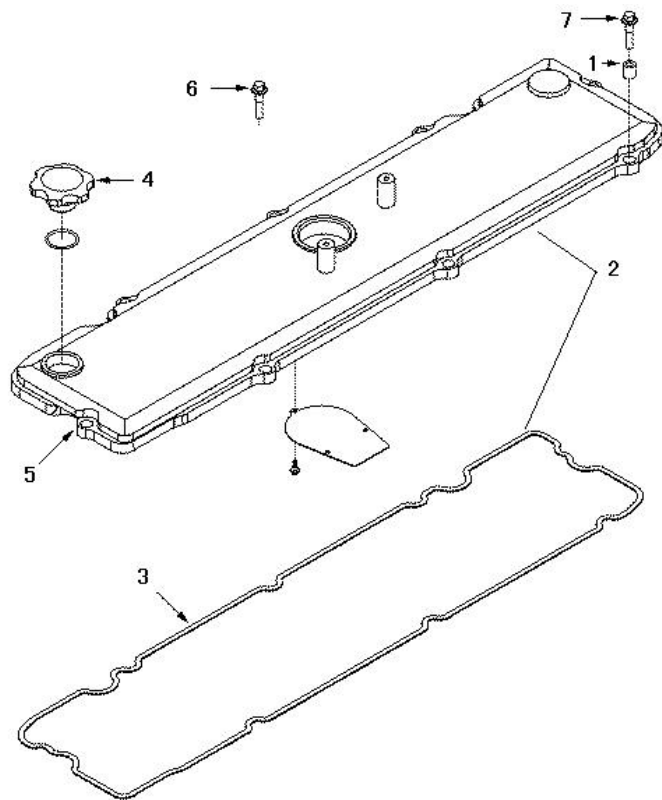


序号 No.	件号 Part No.	数量 Quantity	名称 Name	规格 Specification	适用产品 Products Applied	备注 Remark
1	4058964	1	防锈器 Rust Protector		L375 20、C300 20、C325 20、L345 20	
2	C179901	2	开关阀 Switching Valve		L375 20、C300 20、C325 20、L345 20	
3	C179903	2	弯管接头 Elbow Joint		L375 20、C300 20、C325 20、L345 20	
4	C3008469	2	内六角锥形螺塞 Hexagon Socket Tapered Screw Plug		L375 20、C300 20、C325 20、L345 20	
5	C3415608	2	异径管套 Different Diameter Pipe Sleeve		L375 20、C300 20、C325 20、L345 20	
6	C3415680	1	防锈器座 Rust Protector Seat		L375 20、C300 20、C325 20、L345 20	
7	C3910509	4	软管卡箍 Hose Retaining Ring		L375 20、C300 20、C325 20、L345 20	
8	C3966481	1	防锈器支架 Rust Protector Bracket		L375 20、C300 20、C325 20、L345 20	
9	C3973898	1	水滤开关警示牌 Water Filter Switch Alarm Plate		L375 20、C300 20、C325 20、L345 20	
10	C3975596	1	直软管 Straight Hose		L375 20、C300 20、C325 20、L345 20	
11	C3975597	1	直软管 Straight Hose		L375 20、C300 20、C325 20、L345 20	
12	Q1841030	4	六角法兰面螺栓 Hexagon Bolt With Flange			

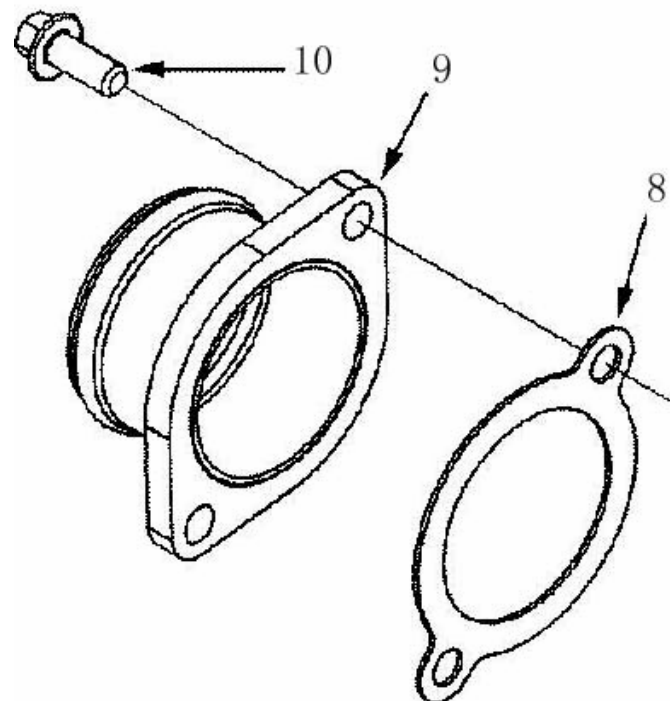
气阀罩组 (VC 9775)、进水连接管组 (WI 9145)  
VAVLE COVER SET(VC 9775),WATER INLET CONNECTING PIPE SET(WI 9145)

10-AH

气阀罩组  
VAVLE COVER SET



进水连接管组  
WATER INLET CONNECTING PIPE SET



发动机系统 / ENGINE SYSTEM

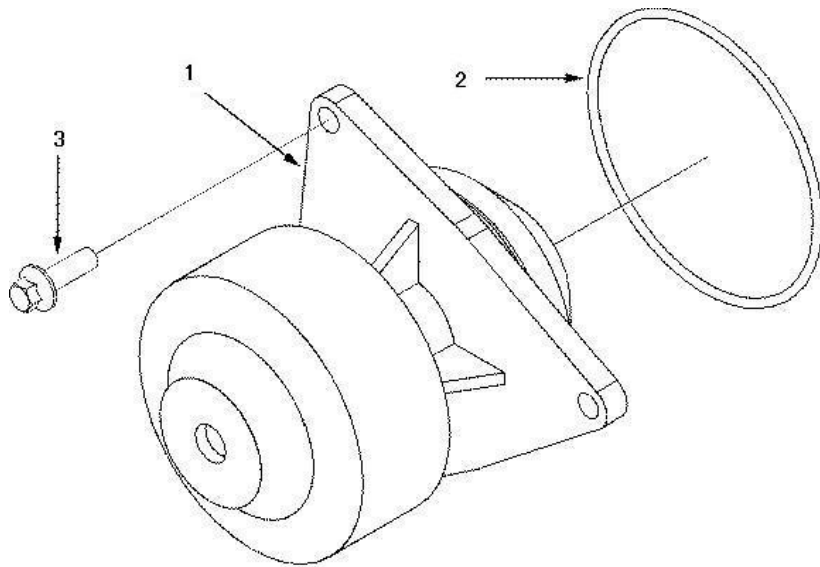
10-84

序号 No.	件号 Part No.	数量 Quantity	名称 Name	规格 Specification	适用产品 Products Applied	备注 Remark
1	3959799	8	减振块 Damping Block		L375 20、L345 20	
2	3967763	1	气阀室罩 Vavle Chest Cover		L375 20、L345 20	
3	3959798	1	气阀室罩密封垫 Vavle Chest Cover Gasket		L375 20、L345 20	
4	3968202	1	加机油口盖 Oil Filler Cap		L375 20、L345 20	
5	3970866	1	气阀室罩 Vavle Chest Cover		L375 20、L345 20	
6	3972686	1	六角法兰面螺栓 Hexagon Bolt With Flange		L375 20、L345 20	
7	Q1840835	7	六角法兰面螺栓 Hexagon Bolt With Flange			
8	C3415658	1	密封垫 Gasket		L375 20、C300 20、L345 20	
9	C3944720	1	进水连接管 Water Inlet Connecting Pipe		L375 20、C300 20、L345 20	
10	Q1840820	2	六角法兰面螺栓 Hexagon Bolt With Flange			

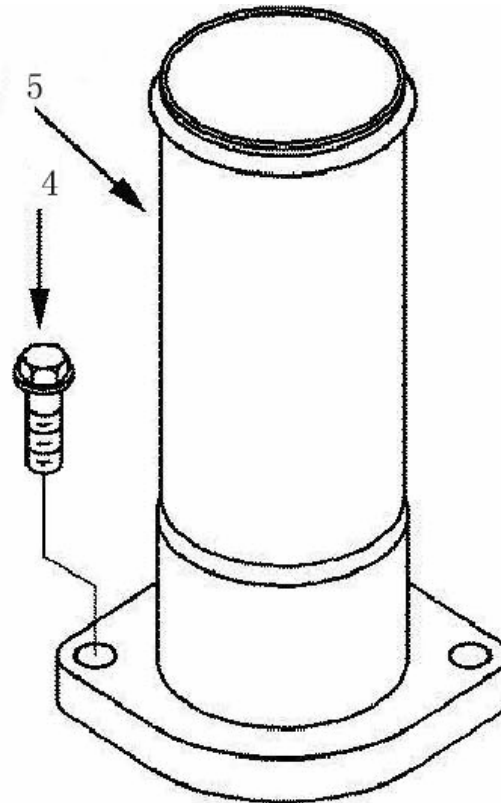
水泵组 (WP 9101)、出水连接管组 (WO 9052)/WATER PUMP SET(WP 9101),WATER  
OUTLET CONNECTING PIPE SET(WO 9052)

**10-A1**

水泵组  
WATER PUMP SET



出水连接管组  
WATER OUTLET CONNECTING PIPE SET



发动机系统 / ENGINE SYSTEM

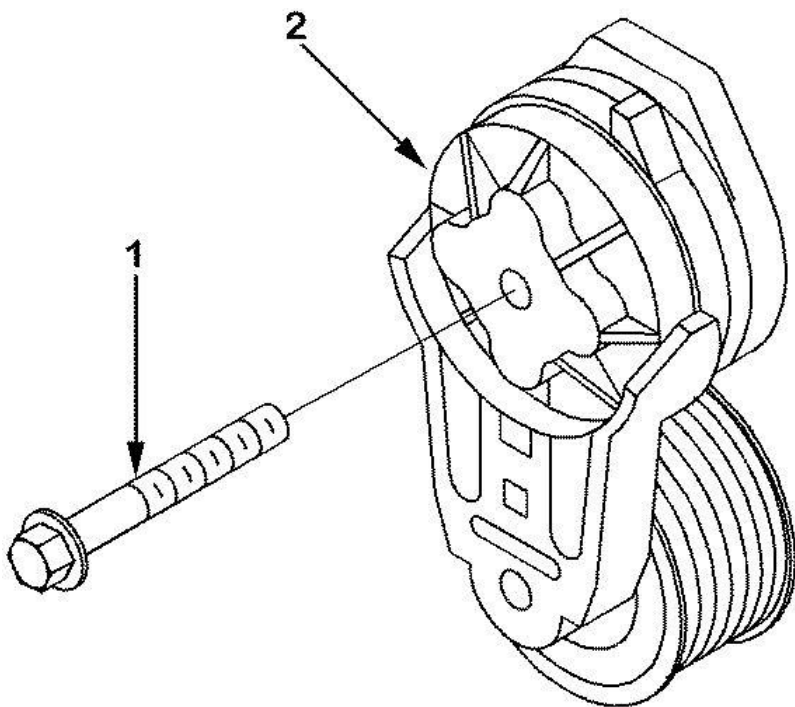
10-86

序号 No.	件号 Part No.	数量 Quantity	名称 Name	规格 Specification	适用产品 Products Applied	备注 Remark
1	3973114	1	水泵 Water Pump		L375 20、L345 20	
2	C3940386	1	O形密封圈 O-Seal Ring		L375 20、L345 20	
3	Q1840828	3	六角法兰面螺栓 Hexagon Bolt With Flange		L375 20、L345 20	
4	C3900631	2	六角法兰面螺栓 Hexagon Bolt With Flange			
5	C3944429	1	进水连接管 Water Inlet Connecting Pipe			

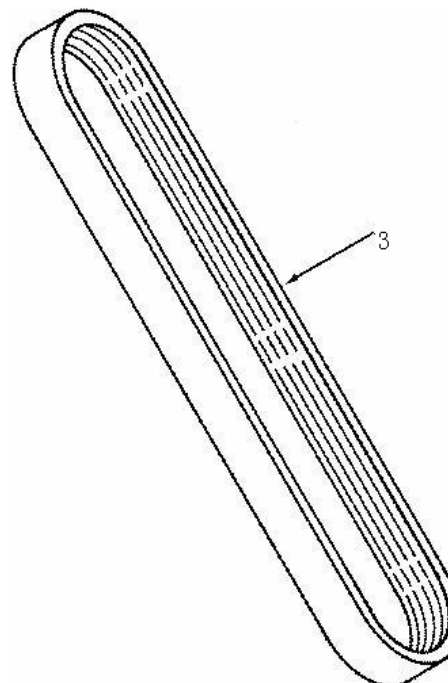
皮带张紧轮组 (WP 9916)、水泵附件驱动组 (WP 9963)/BELT TENSIONER  
PULLEY SET(WP 9916),WATER PUMP ACCESSORY DRIVE SET(WP 9963)

**10-AJ**

皮带张紧轮组  
BELT TENSIONER PULLEY SET



水泵附件驱动组  
WATER PUMP ACCESSORY DRIVE SET

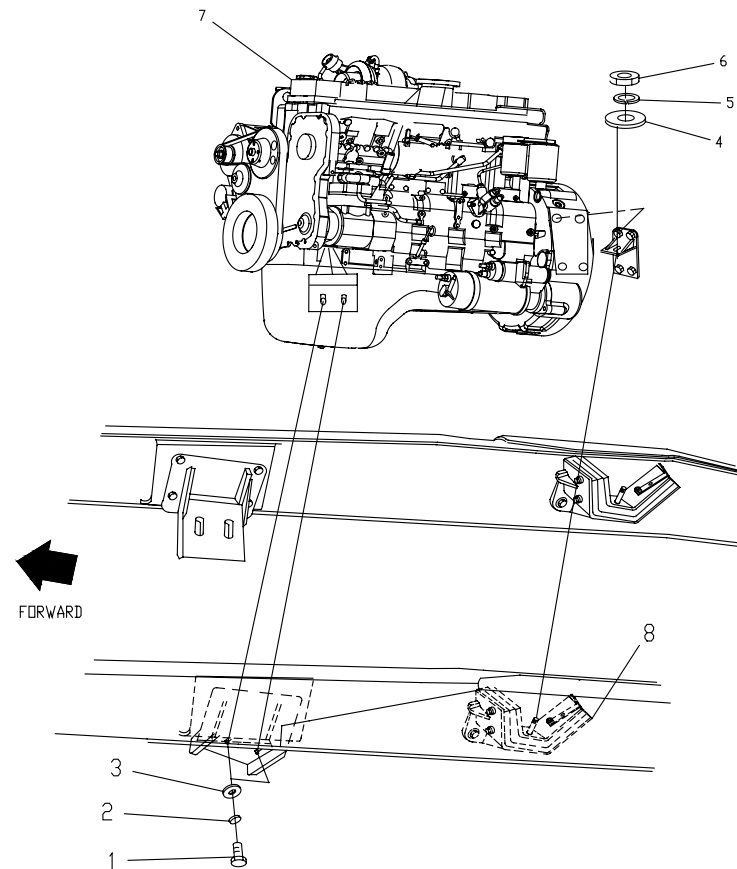


序号 No.	件号 Part No.	数量 Quantity	名称 Name	规格 Specification	适用产品 Products Applied	备注 Remark
1	C3282433	1	六角法兰面螺栓 Hexagon Bolt With Flange		L375 20、C300 20、C325 20、L345 20	
2	C3936213	1	皮带张紧轮 Belt Tensioner Pulley		L375 20、C300 20、C325 20、L345 20	
3	C3911620	1	多楔带 Belt With Wedge Slots			
	16Z02-01031	12	双头螺栓 Stud Bolt			随机散件 Spare Parts With Set
	C3979316	1	张紧轮总成 Tensioner Pulley Assembly			随机散件 Spare Parts With Set
	C3979372	1	发电机 Generator			随机散件 Spare Parts With Set
	C4930899	1	V形带 V-Belt			随机散件 Spare Parts With Set
	Q1841030	3	六角法兰面螺栓 Hexagon Bolt With Flange			随机散件 Spare Parts With Set
	Q340B10	12	I型六角螺母 Hexagon Full Nut			随机散件 Spare Parts With Set
	Q40310	12	弹簧垫圈 Spring Washer			随机散件 Spare Parts With Set



## 发动机悬置系统 / ENGINE MOUNTING SYSTEM

10-AK



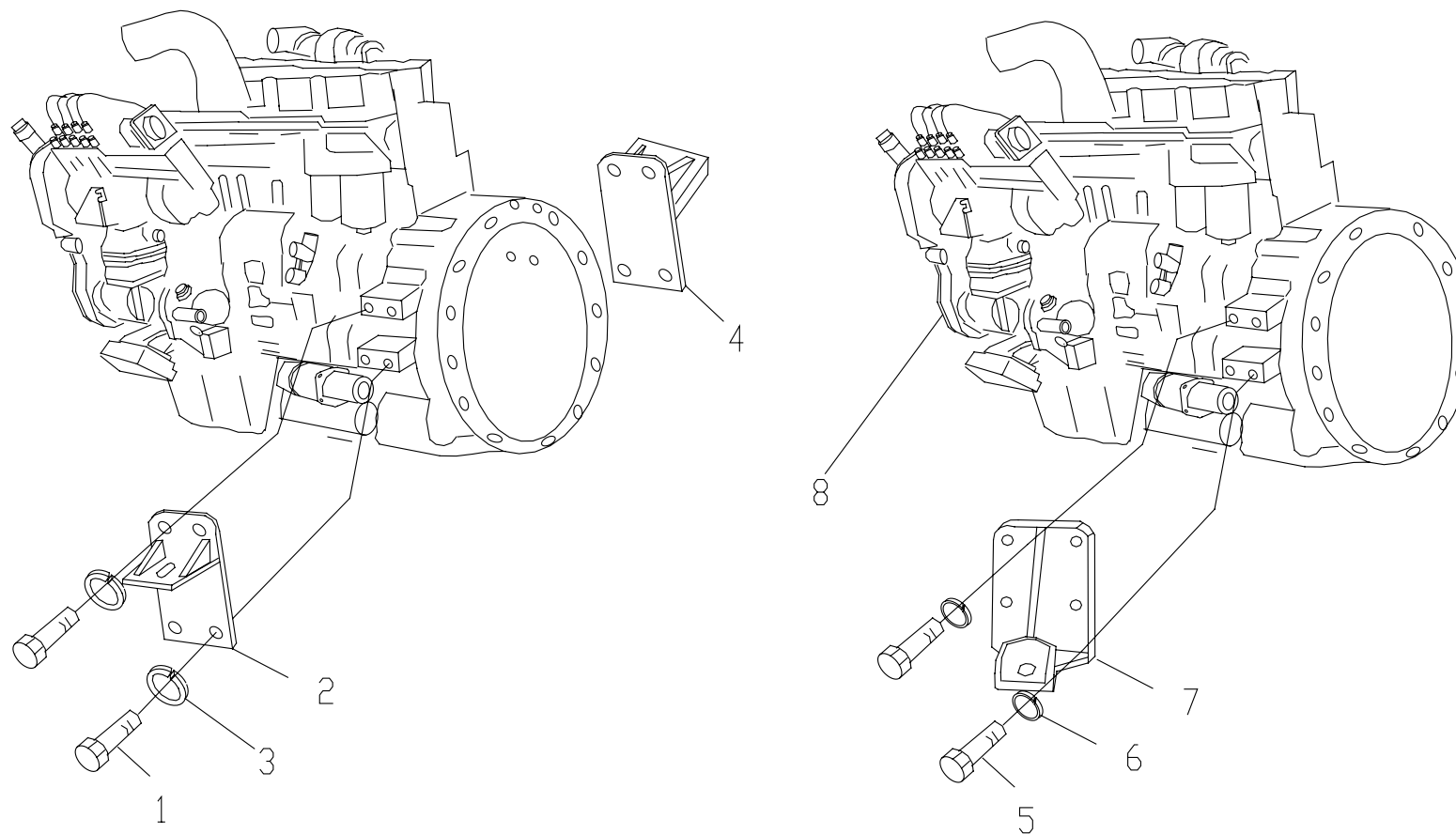
# 发动机系统 / ENGINE SYSTEM

10-90

序号 No.	件号 Part No.	数量 Quantity	名称 Name	规格 Specification	适用产品 Products Applied	备注 Remark
1	10A4D-01026	4	轴套 Shaft Sleeve			
2	Q150B1030TF2	4	六角头螺栓 Hexagon Head Bolt			
3	Q40310	4	弹簧垫圈 Spring Washer			
4	Q40216	2	大平垫 Big Plate Washer			
5	Q40516	2	弹簧垫圈 Spring Washer			
6	Q341B16T13F2	2	I型六角螺母 Hexagon Full Nut			
7	1000A18DQ-010	1	L375 20 发动机总成 L375 20 Engine Assembly		L375 20 牵引车 L375 20 Tractor	
	1000A9DZ-010	1	C260 20 发动机总成 C260 20 Engine Assembly		C260 20 牵引车 C260 20 Tractor	
	1000A21DQ-010	1	L345 20 发动机总成 L345 20 Engine Assembly		L345 20 牵引车 L345 20 Tractor	
	1000A7DZ-010	1	C230 20 发动机总成 C230 20 Engine Assembly		C230 20 牵引车 C230 20 Tractor	
	1000A10DZ-010	1	C325 20 发动机总成 C325 20 Engine Assembly		C325 20 牵引车 C325 20 Tractor	
	1000A4DQ1-010	1	C300 20 发动机总成 C300 20 Engine Assembly		C300 20 牵引车 C300 20 Tractor	
		1	ISLe 系列发动机总成 ISLe Series Engine Assembly		ISLe 系列牵引车 ISLe Series Tractor	
8	10A4D-01071	1	左支架—发动机后悬置 Bracket LH- Engine Rear Mounting			

## 发动机悬置系统 / ENGINE MOUNTING SYSTEM

## 10-AL



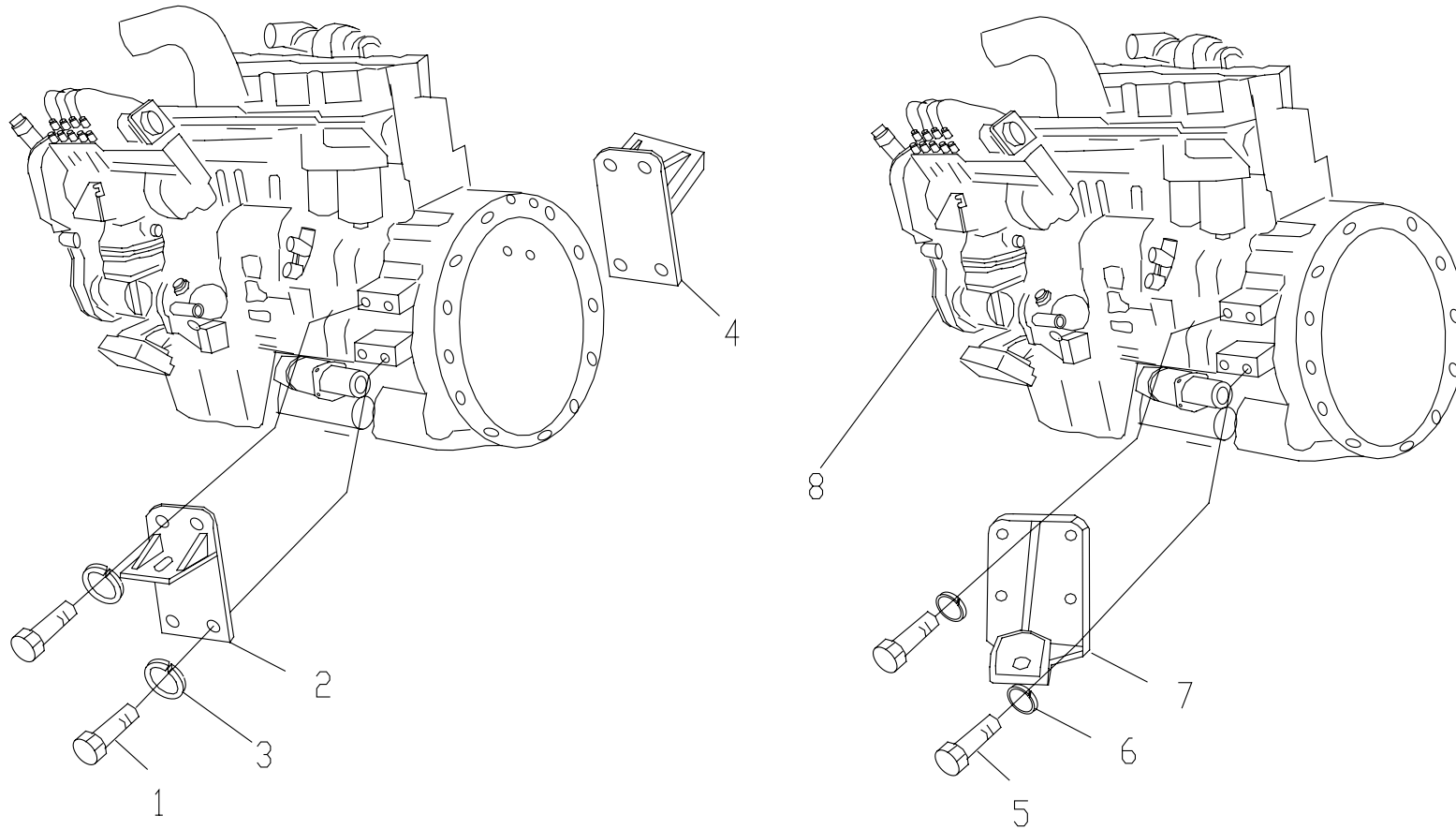
## 发动机系统 / ENGINE SYSTEM

10-92

序号 No.	件号 Part No.	数量 Quantity	名称 Name	规格 Specification	适用产品 Products Applied	备注 Remark
1	10A10DZ-01051	1	左支架臂-发动机后悬置 Bracket Arm LH- Engine Rear Mounting		东风康明斯牵引车 DONGFENG CUMMINS Tractor	
2	Q151B1240TF2	8	六角头螺栓 Hexagon Head Bolt			
3	Q40518	8	弹簧垫圈 Spring Washer			
4	10A10DZ-01052	1	右支架臂-发动机后悬置 Bracket Arm RH- Engine Rear Mounting		东风康明斯牵引车 DONGFENG CUMMINS Tractor	
5	Q151B1850TF2	8	六角头螺栓 Hexagon Head Bolt			
6	Q40518	8	弹簧垫圈 Spring Washer			
7	10A21D-01051	1	左支架臂-发动机后悬置 Bracket Arm LH- Engine Rear Mounting		东风康明斯搅拌车 DONGFENG CUMMINS Mixer	
	10A21D-01052	1	右支架臂-发动机后悬置 Bracket Arm RH- Engine Rear Mounting		东风康明斯搅拌车 DONGFENG CUMMINS Mixer	
8	1000A18D-010	1	L375 20 发动机总成 L375 20 Engine Assembly		L375 20 搅拌车 L375 20 Mixer	
	1000A9D-010	1	C260 20 发动机总成 C260 20 Engine Assembly		C260 20 搅拌车 C260 20 Mixer	
	1000A21D-010	1	L345 20 发动机总成 L345 20 Engine Assembly		L345 20 搅拌车 L345 20 Mixer	
	1000A7D-010	1	C230 20 发动机总成 C230 20 Engine Assembly		C230 20 搅拌车 C230 20 Mixer	
	1000A10D-010	1	C325 20 发动机总成 C325 20 Engine Assembly		C325 20 搅拌车 C325 20 Mixer	
	1000A4D-010	1	C300 20 发动机总成 C300 20 Engine Assembly		C300 20 搅拌车 C300 20 Mixer	

## 发动机悬置系统 / ENGINE MOUNTING SYSTEM

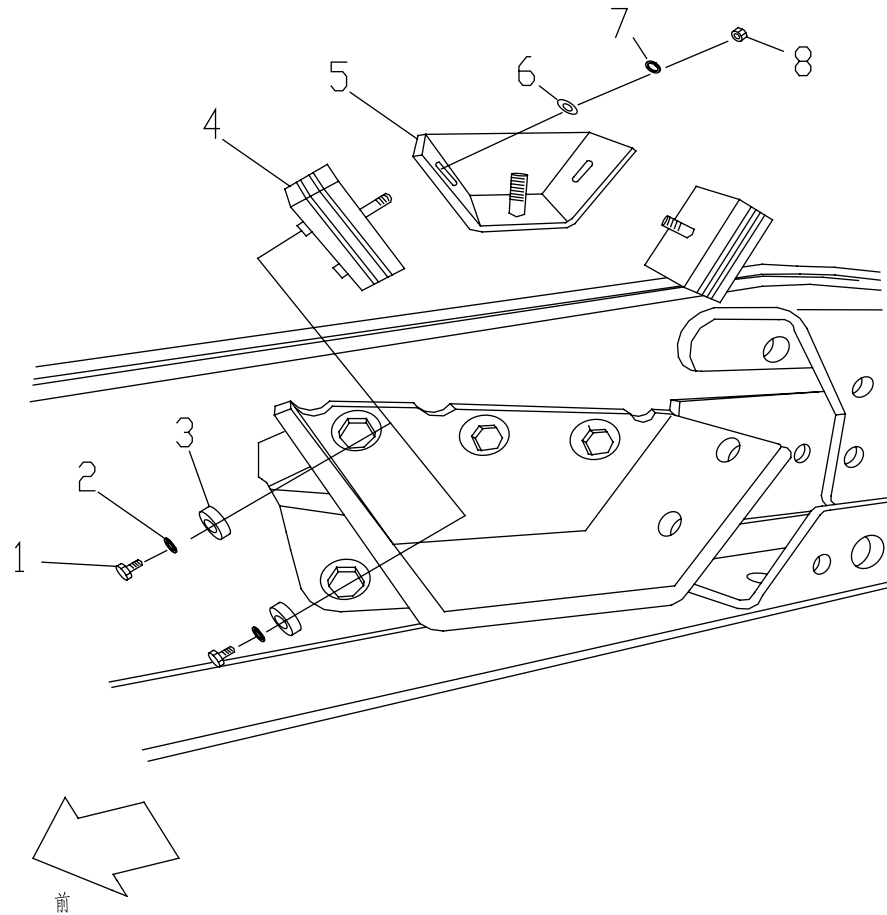
## 10-AL



序号 No.	件号 Part No.	数量 Quantity	名称 Name	规格 Specification	适用产品 Products Applied	备注 Remark
		1	ISLe 系列发动机总成 ISLe Series Engine Assembly		ISLe 系列搅拌车 ISLe Series Mixer	

## 发动机悬置系统 / ENGINE MOUNTING SYSTEM

## 10-AM

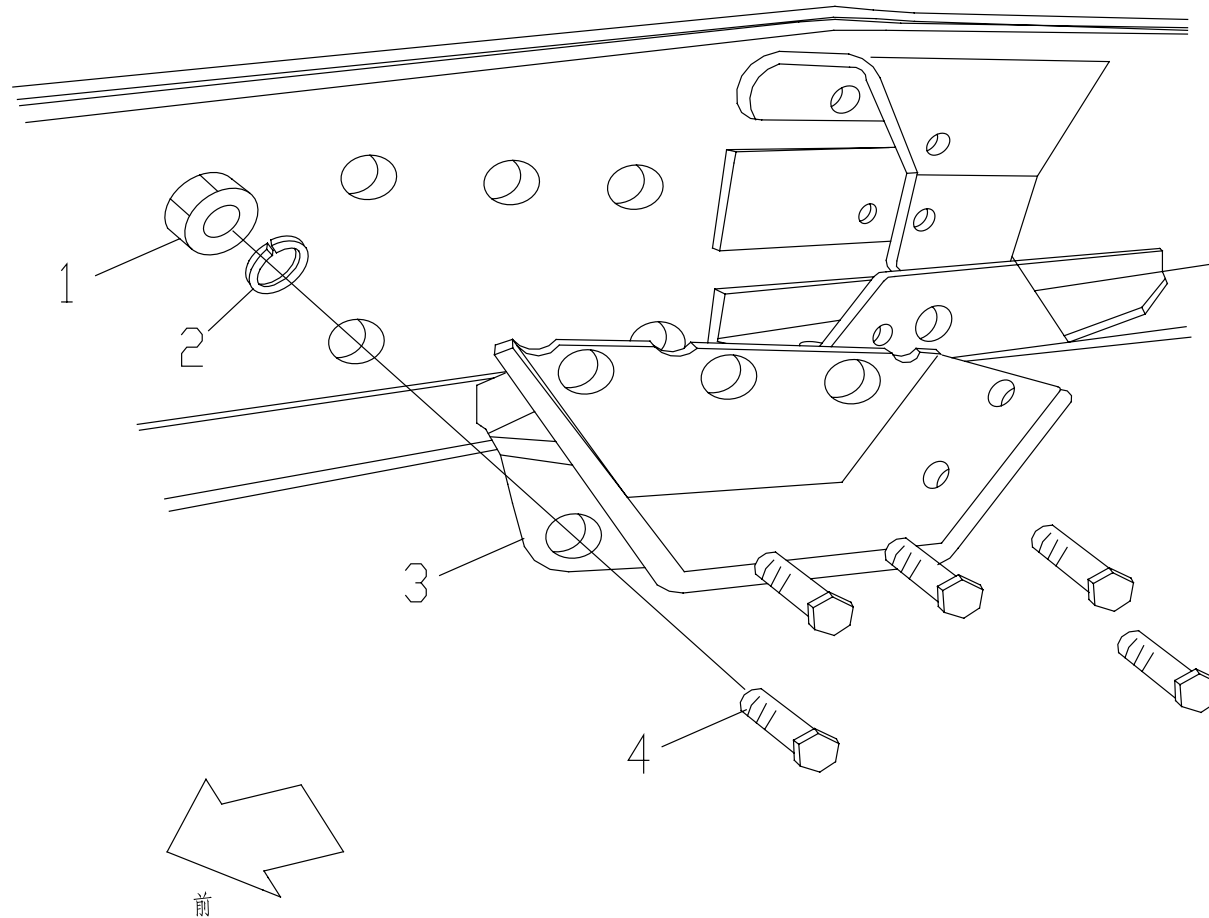


序号 No.	件号 Part No.	数量 Quantity	名称 Name	规格 Specification	适用产品 Products Applied	备注 Remark
1	Q150B1035TF2	8	六角头螺栓 Hexagon Head Bolt			
2	Q40310	8	弹簧垫圈 Spring Washer			
3	10A4D-01026	8	轴套 Shaft Sleeve			
4	10A4D-01060	4	软垫总成-发动机后悬置 Pad Assembly- Engine Rear Mounting			
5	10A4D-01055	2	连接支架-发动机后悬置 Connecting Bracket- Engine Rear Mounting			
6	Q40110	4	平垫圈 Plate Washer			
7	Q40310	4	弹簧垫圈 Spring Washer			
8	Q340B10T13F2	4	I型六角螺母 Hexagon Full Nut			



## 发动机悬置系统 / ENGINE MOUNTING SYSTEM

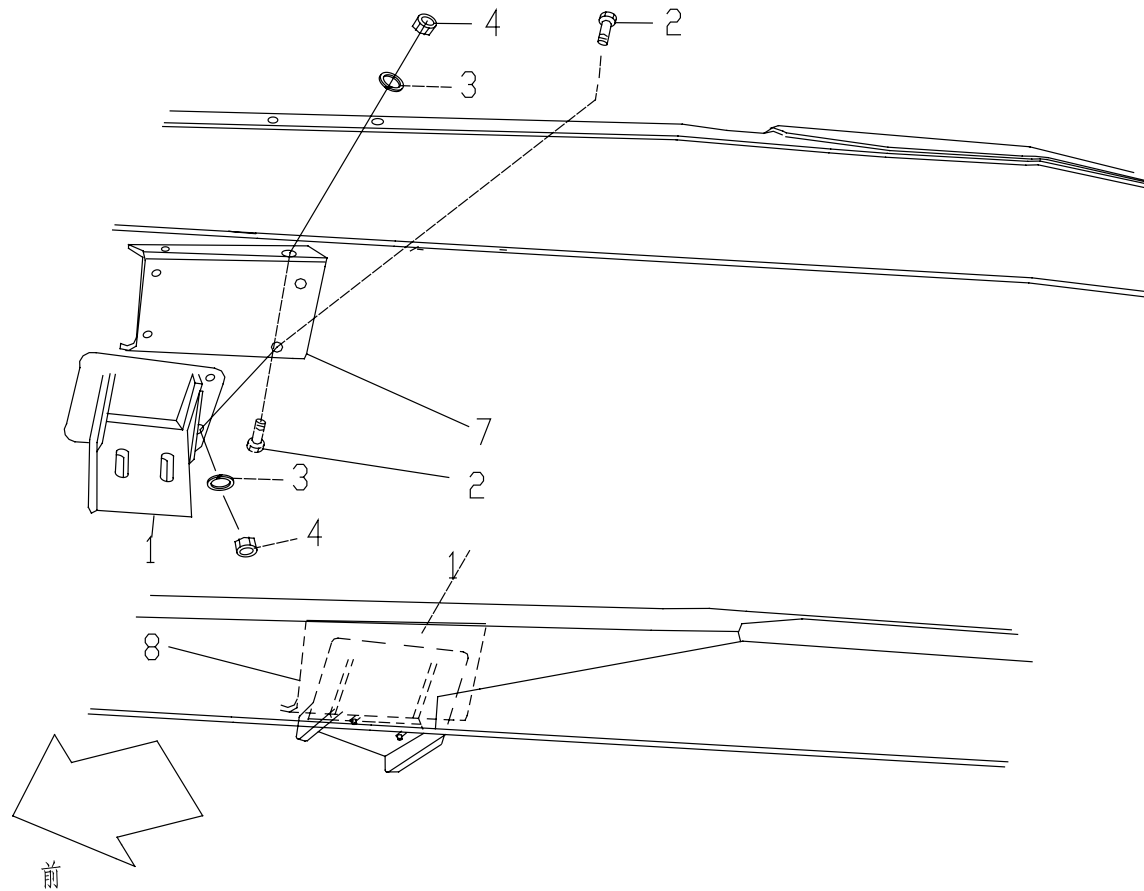
## 10-AN



序号 No.	件号 Part No.	数量 Quantity	名称 Name	规格 Specification	适用产品 Products Applied	备注 Remark
1	Q341B16T13F2	10	I 型六角螺母 Hexagon Full Nut			
2	Q40516	10	弹簧垫圈 Spring Washer			
3	10A4D-01072	1	右支架—发动机后悬置 Bracket RH- Engine Rear Mounting			
4	Q151B1665TF2	10	六角头螺栓 Hexagon Head Bolt			

## 发动机悬置系统 / ENGINE MOUNTING SYSTEM

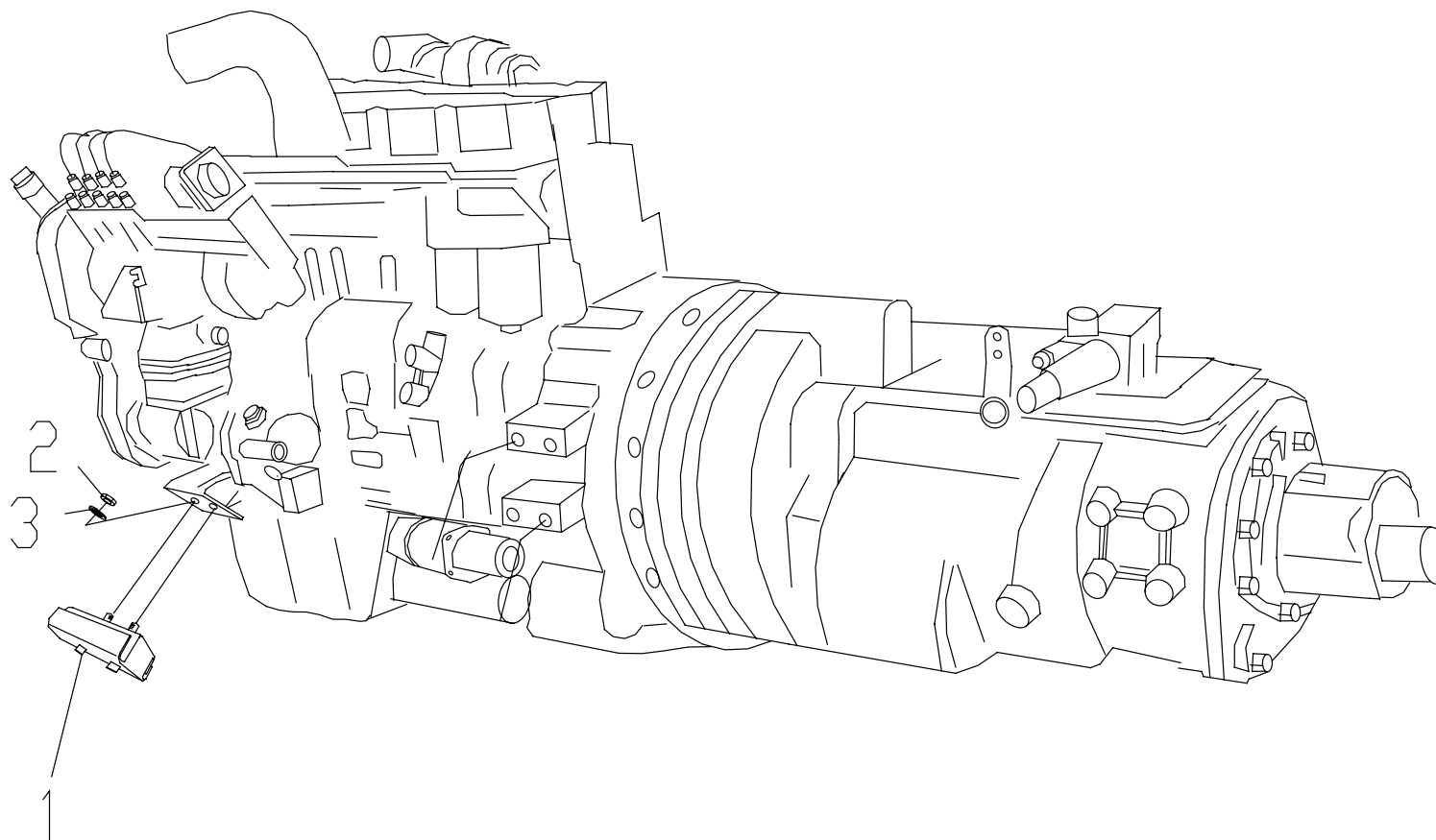
## 10-A0



序号 No.	件号 Part No.	数量 Quantity	名称 Name	规格 Specification	适用产品 Products Applied	备注 Remark
1	10A4D-01032	2	软垫支架—发动机前悬置 Pad Bracket- Engine Front Mounting			
2	Q151B1440TF2	16	六角头螺栓 Hexagon Head Bolt			
3	Q40514	16	弹簧垫圈 Spring Washer			
4	Q341B14T13F2	16	I 型六角螺母 Hexagon Full Nut			
5	10A4D-01042	1	右支架—发动机前悬置 Bracket RH- Engine Front Mounting			
6	10A4D-01041	1	左支架—发动机前悬置 Bracket LH- Engine Front Mounting			
7	Q151B1440TF2	16	六角头螺栓 Hexagon Head Bolt			

## 发动机悬置系统 / ENGINE MOUNTING SYSTEM

## 10-AP

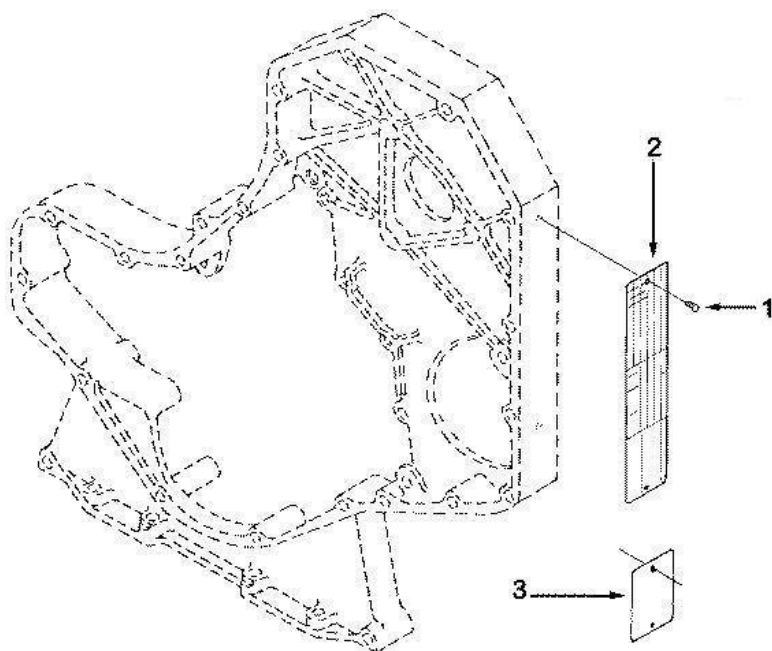


序号 No.	件号 Part No.	数量 Quantity	名称 Name	规格 Specification	适用产品 Products Applied	备注 Remark
1	10A4D-01020	2	软垫支架—发动机前悬置 Pad Bracket- Engine Front Mounting			
2	Q340B10T13F2	4	I型六角螺母 Hexagon Full Nut			
3	Q40310	4	弹簧垫圈 Spring Washer			

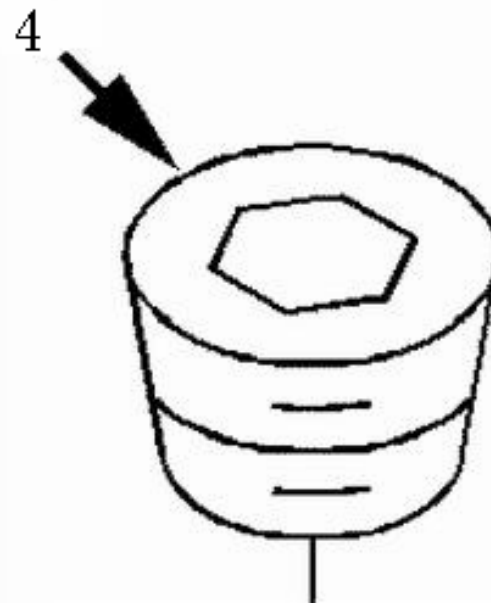
参数牌组 (AP 9382)、缸体冷却管路组 (BB 9200)/PARAMETER PLATE SET (AP 9382), CYLINDER BLOCK COOLING LINE SET (BB 9200)

10-AQ

参数牌  
PARAMETER PLATE



缸体冷却管路组  
CYLINDER BLOCK COOLING LINE SET



发动机系统 /ENGINE SYSTEM

10-104

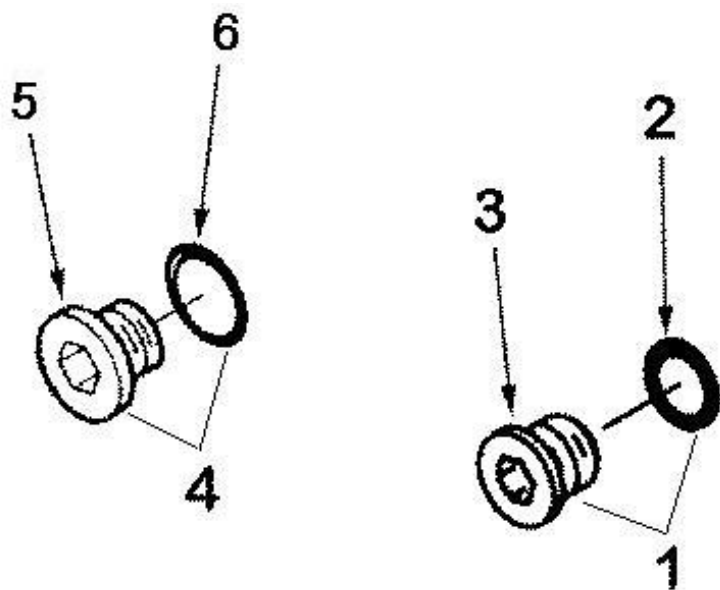
序号 No.	件号 Part No.	数量 Quantity	名称 Name	规格 Specification	适用产品 Products Applied	备注 Remark
1	C3415394	2	自攻螺钉 Self-Tapping Screw		C260 20、C300 20、C325 20、L345 20、 C230 20	
2	C3415600	1	参数牌 Parameter Plate		C260 20、C300 20、C325 20、L345 20、 C230 20	
3	C3974406	1	标签 Label		C260 20、C300 20、C325 20、L345 20、 C230 20	
4	C3008469	2	内六角锥形螺塞 Hexagon Socket Tapered Screw Plug		C260 20、C300 20、C325 20、C230 20	



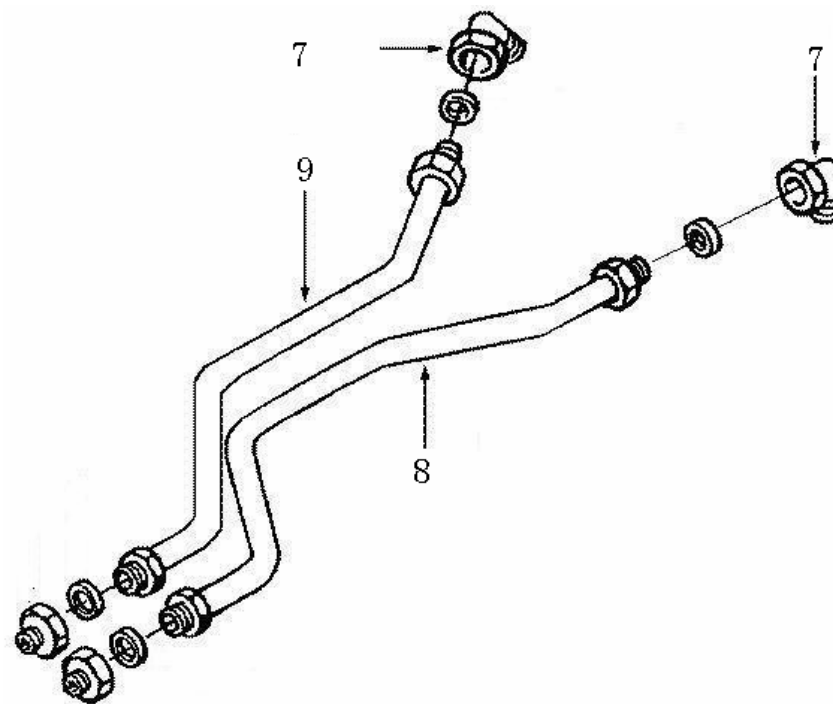
缸体管路连接件组 (BB 9091)、空压机冷却水管组 (CC 9274)  
CYLINDER BLOCK LINE CONNECTOR SET (BB 9091),  
AIR COMPRESSOR COOLING PIPE SET (CC 9274)

**10-AR**

缸体管路连接件组  
CYLINDER BLOCK LINE CONNECTOR SET



空压机冷却水管组  
AIR COMPRESSOR COOLING PIPE SET



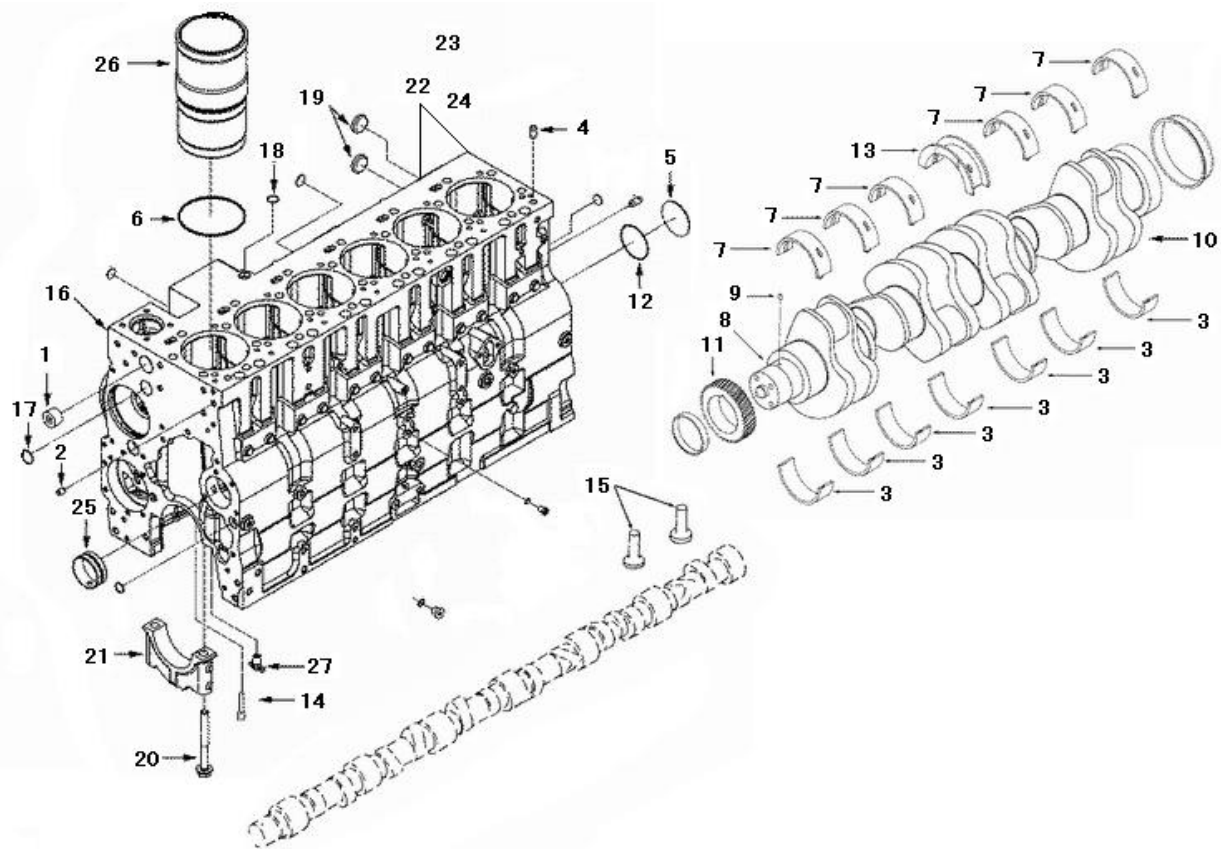
发动机系统 / ENGINE SYSTEM

10-106

序号 No.	件号 Part No.	数量 Quantity	名称 Name	规格 Specification	适用产品 Products Applied	备注 Remark
1	C3678921	1	螺塞总成 Plug Assembly		C260 20、C300 20、C325 20、C230 20	
2	C3678912	1	O形密封圈 O-Seal Ring		C260 20、C300 20、C325 20、C230 20	
3	C3678922	1	内六角螺塞 Hexagon Socket Plug		C260 20、C300 20、C325 20、C230 20	
4	C3678923	4	螺塞 Plug		C260 20、C300 20、C325 20、C230 20	
5	C3678924	1	内六角锥形螺塞 Hexagon Socket Tapered Screw Plug		C260 20、C300 20、C325 20、C230 20	
6	C3678925	1	O形密封圈 O-Seal Ring		C260 20、C300 20、C325 20、C230 20	
7	C3415327	2	弯管接头体 Elbow Joint		C260 20、C300 20、C325 20、C230 20	
8	C3970801	1	空压机进水管 Air Compressor Water Inlet Pipe		C260 20、C300 20、C325 20、C230 20	
9	C3970803	1	空压机出水管 Air Compressor Water Outlet Pipe		C260 20、C300 20、C325 20、C230 20	

## 缸体组 (BB 9110)/CYLINDER BLOCK SET (BB 9110)

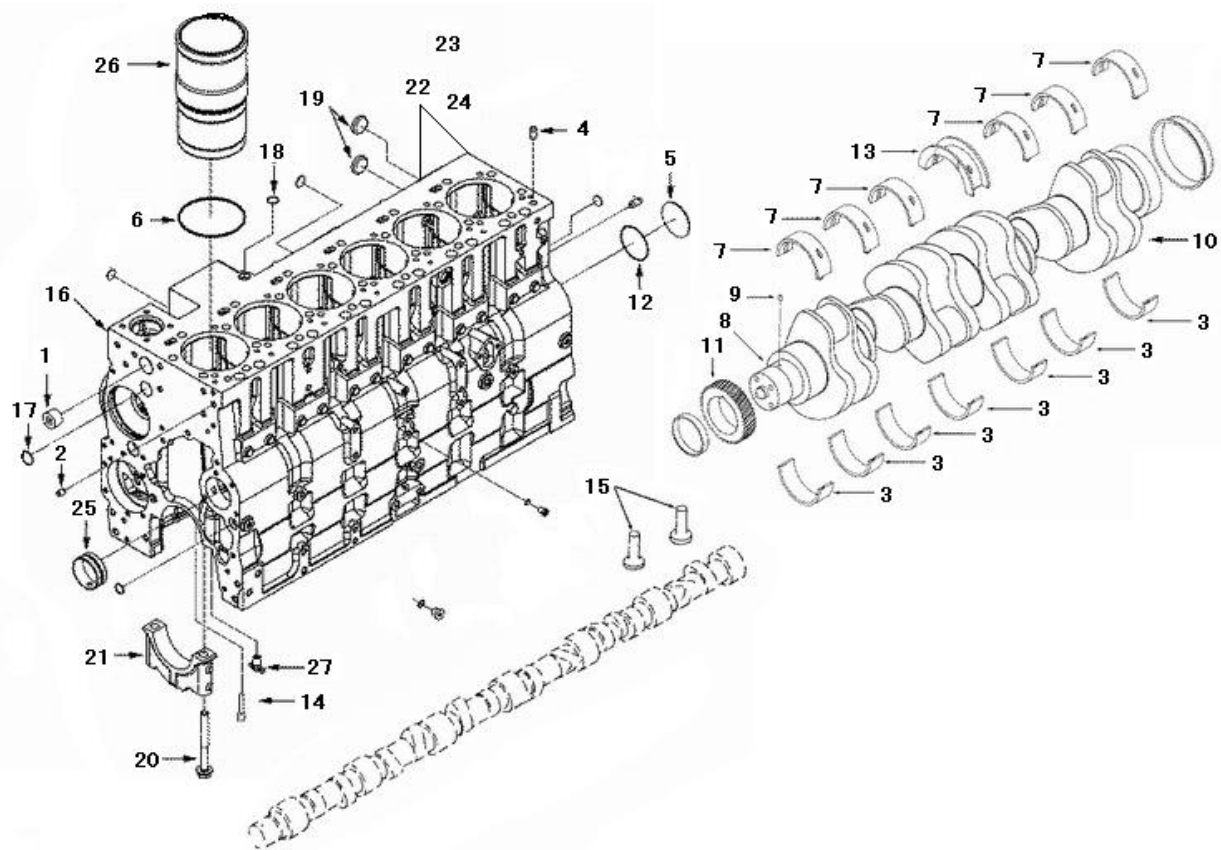
## 10-AS



序号 No.	件号 Part No.	数量 Quantity	名称 Name	规格 Specification	适用产品 Products Applied	备注 Remark
1	C3008470	1	内六角锥形螺塞 Hexagon Socket Tapered Screw Plug		C260 20、C325 20、C300 20、C230 20	
2	C3900257	2	定位销 Locating Pin		C260 20、C325 20、C300 20、C230 20	
3	C3901590	7	曲轴瓦下瓦 Lower Crankshaft Bearing Shell		C260 20、C325 20、C300 20、C230 20	
4	C3901846	4	定位销 Locating Pin		C260 20、C325 20、C300 20、C230 20	
5	C3901969	1	碗形塞 Bowl Plug		C260 20、C325 20、C300 20、C230 20	
6	C3907177	6	矩形密封圈 Rectangle Seal Ring		C260 20、C325 20、C300 20、C230 20	
7	C3916840	6	曲轴瓦上瓦 Upper Crankshaft Bearing Shell		C260 20、C325 20、C300 20、C230 20	
8	C3918986	1	曲轴总成 Crankshaft Assembly		C260 20、C325 20、C300 20、C230 20	
9	C3904483	1	定位销 Locating Pin		C260 20、C325 20、C300 20、C230 20	
10	C3917320	1	曲轴 Crankshaft		C260 20、C325 20、C300 20、C230 20	
11	C3918776	1	曲轴齿轮 Crankshaft Gear		C260 20、C325 20、C300 20、C230 20	
12	C3926048	1	O形密封圈 O-Seal Ring		C260 20、C325 20、C300 20、C230 20	
13	C3926798	1	曲轴止推瓦 Crankshaft Thrust Bearing Shell		C260 20、C325 20、C300 20、C230 20	
14	C3928031	12	活塞冷却喷嘴 Piston Cooling Nozzle		C260 20、C325 20、C300 20、C230 20	

## 缸体组 (BB 9110)/CYLINDER BLOCK SET (BB 9110)

## 10-AS



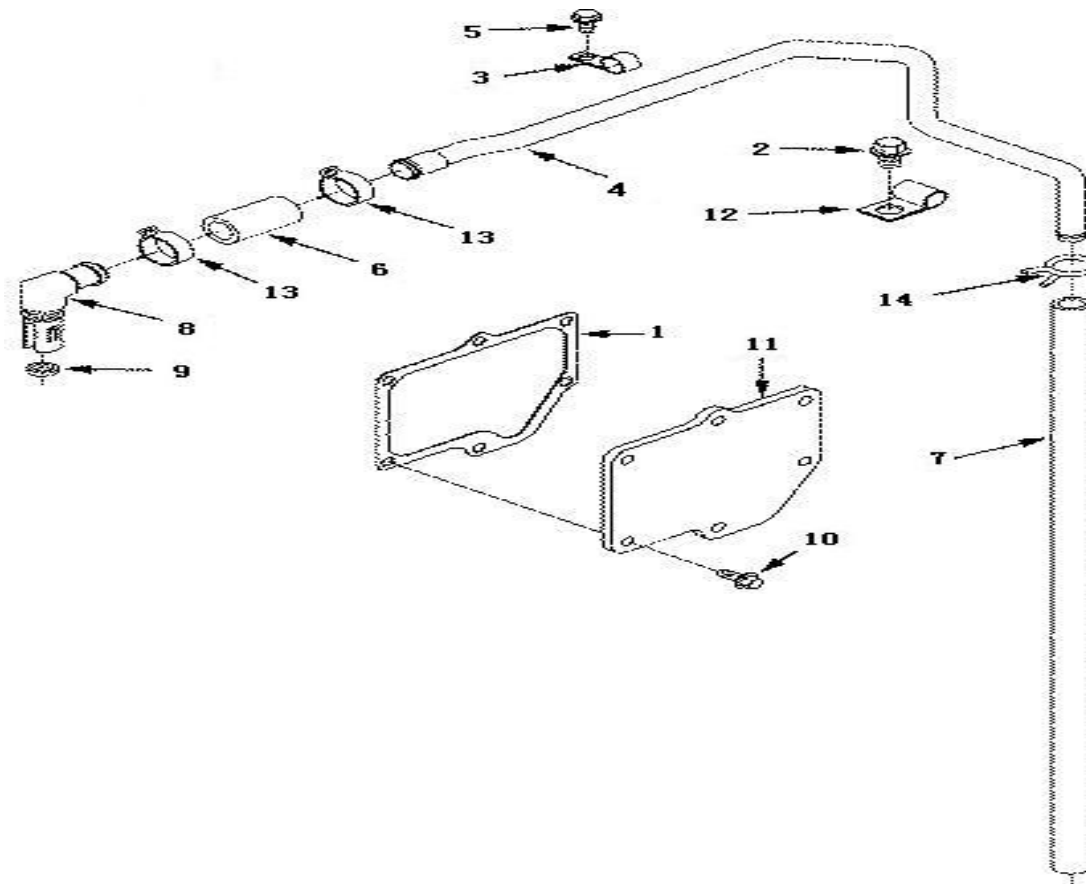
发动机系统 / ENGINE SYSTEM

10-110

序号 No.	件号 Part No.	数量 Quantity	名称 Name	规格 Specification	适用产品 Products Applied	备注 Remark
15	C3931623	12	挺杆体 Tappet Body		C260 20、C325 20、C300 20、C230 20	
16	C3939313	1	气缸体总成 Cylinder Block Assembly		C260 20、C325 20、C300 20、C230 20	
17	C143066	2	碗形塞 Bowl Plug		C260 20、C325 20、C300 20、C230 20	
18	C3004258	4	碗形塞 Bowl Plug		C260 20、C325 20、C300 20、C230 20	
19	C3905401	4	碗形塞 Bowl Plug		C260 20、C325 20、C300 20、C230 20	
20	C3916369	14	六角法兰面螺栓 Hexagon Bolt With Flange		C260 20、C325 20、C300 20、C230 20	
21	C3936058	7	主轴承盖 Main Bearing Cover		C260 20、C325 20、C300 20、C230 20	
22	C3939311	1	气缸体总成 Cylinder Block Assembly		C260 20、C325 20、C300 20、C230 20	
23	C3939311A	1	缸体 Cylinder Block		C260 20、C325 20、C300 20、C230 20	
24	C3938058	1	气缸体毛坯 Cylinder Block Blank		C260 20、C325 20、C300 20、C230 20	
25	C3943199	7	凸轮轴衬套 Camshaft Bushing		C260 20、C325 20、C300 20、C230 20	
26	C3948095	6	气缸套 Cylinder Liner		C260 20、C325 20、C300 20、C230 20	
27	CS 923 E	1	放水阀 Water Drain Valve		C260 20、C325 20、C300 20、C230 20	

## 曲轴箱通风组 (BR 9198)/CRANKCASE VENTILATION SET(BR 9198)

10-AT



序号 No.	件号 Part No.	数量 Quantity	名称 Name	规格 Specification	适用产品 Products Applied	备注 Remark
1	3970886	1	密封垫 Gasket		C260 20、C325 20、C230 20	
2	C3901249	1	六角法兰面螺栓 Hexagon Bolt With Flange		C260 20、C325 20、C230 20	
3	C3907741	1	管夹 Pipe Clamp		C260 20、C325 20、C230 20	
4	C3909669	1	曲轴箱通风管 Crankcase Ventilation Pipe		C260 20、C325 20、C230 20	
5	C3912072	1	自攻螺栓 Self-Tapping Bolt		C260 20、C325 20、C230 20	
6	C3918616	1	曲轴箱通风软管 Crankcase Ventilation Hose		C260 20、C325 20、C230 20	
7	C3930827	1	直软管 Straight Hose		C260 20、C325 20、C230 20	
8	C3935113	1	通风管接头 Ventilation Pipe Connector		C260 20、C325 20、C230 20	
9	C3936331	1	矩形密封圈 Rectangle Seal Ring		C260 20、C325 20、C230 20	
10	C3991306	6	六角法兰面螺栓 Hexagon Bolt With Flange		C260 20、C325 20、C230 20	
11	C4063520	1	盖板 Cover Panel		C260 20、C325 20、C230 20	
12	C70622	1	管夹 Pipe Clamp		C260 20、C325 20、C230 20	
13	D3937613	2	管夹 Pipe Clamp		C260 20、C325 20、C230 20	
14	Q67226	1	钢丝型弹性环箍 Steel Wire Elastic Snap Ring		C260 20、C325 20、C230 20	

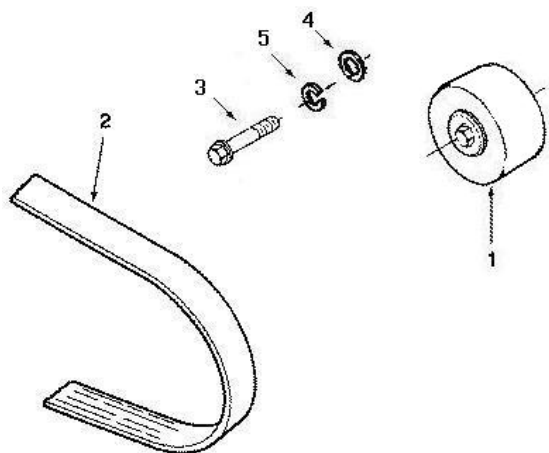


空调驱动件组 (CF 9120)、空调组件 (CF 9089)、变速箱第一前轴承 (CL 9079)  
 AIR CONDITIONER DRIVER SET (CF 9120), AIR CONDITIONER SET (CF 9089),  
 TRANSMISSION NO.1 FRONT SHAFT BEARING (CL 9079)

**10-AU**

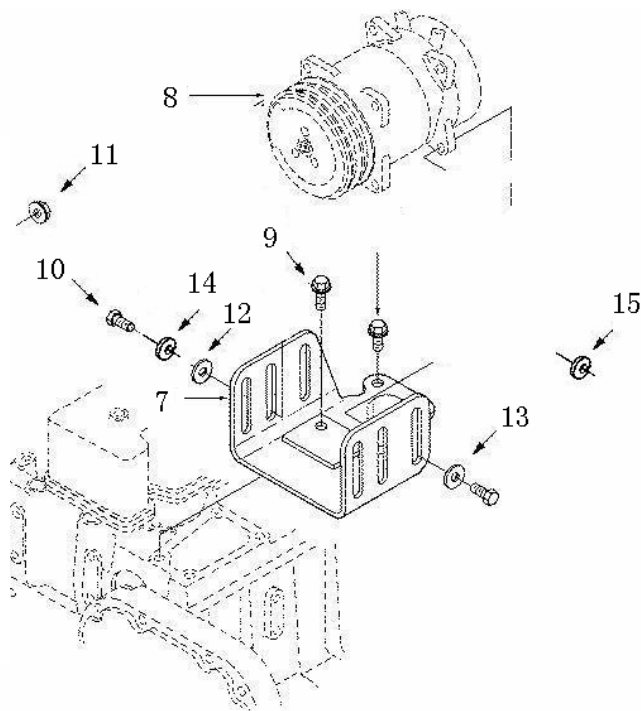
空调驱动件组

AIR CONDITIONER DRIVER SET



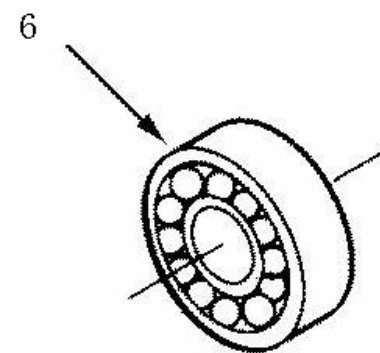
空调组件

AIR CONDITIONER SET



变速箱第一前轴承

TRANSMISSION NO.1 FRONT SHAFT BEARING



发动机系统 / ENGINE SYSTEM

10-114

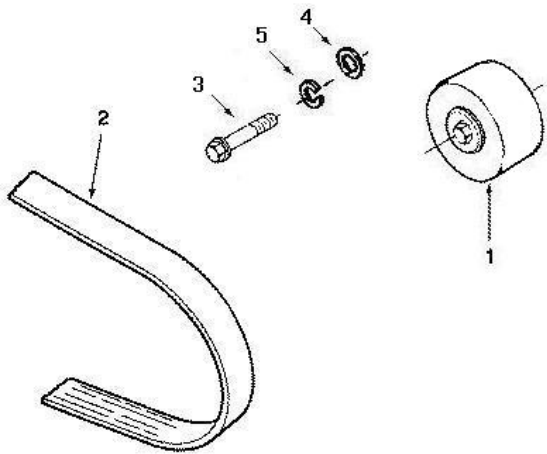
序号 No.	件号 Part No.	数量 Quantity	名称 Name	规格 Specification	适用产品 Products Applied	备注 Remark
1	81N12-03070	1	张紧轮总成 Tensioner Pulley Assembly		C260 20	
	C3979316	1	张紧轮总成 Tensioner Pulley Assembly		L345 20	
2	81Z24-04012	1	三角皮带 V-Belt		C260 20	
	C4930899	1	V形带 V-Belt		L345 20	
3	Q150B0830	3	六角头螺栓 Hexagon Head Bolt		C260 20	
	Q1841030	3	六角法兰面螺栓 Hexagon Bolt With Flange		L345 20	
4	Q40108	3	平垫圈 Plate Washer		C260 20	
5	Q40308	3	弹簧垫圈 Spring Washer		C260 20	
6	Z*60205	1	变速箱第一前轴承 Transmission No.1 Front Shaft Bearing		C260 20、C230	
7	81Z24-04010	1	压缩机支架 Compressor Bracket		C260 20	
8	81Z24-04100	1	压缩机 Compressor		C260 20	
9	Q150B1030	4	六角头螺栓 Hexagon Head Bolt			
10	Q150B1040	4	六角头螺栓 Hexagon Head Bolt			
11	Q340B10	4	I型六角螺母 Hexagon Full Nut			

空调驱动件组 (CF 9120)、空调组件 (CF 9089)、变速箱第一前轴承 (CL 9079)  
 AIR CONDITIONER DRIVER SET (CF 9120), AIR CONDITIONER SET (CF 9089),  
 TRANSMISSION NO.1 FRONT SHAFT BEARING (CL 9079)

**10-AU**

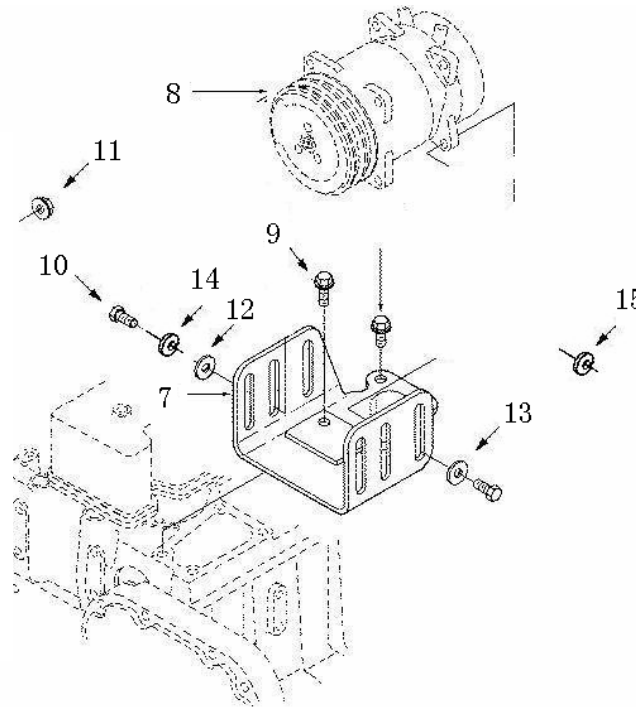
空调驱动件组

AIR CONDITIONER DRIVER SET



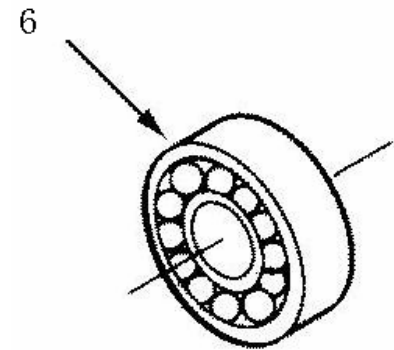
空调组件

AIR CONDITIONER SET



变速箱第一前轴承

TRANSMISSION NO.1 FRONT SHAFT BEARING

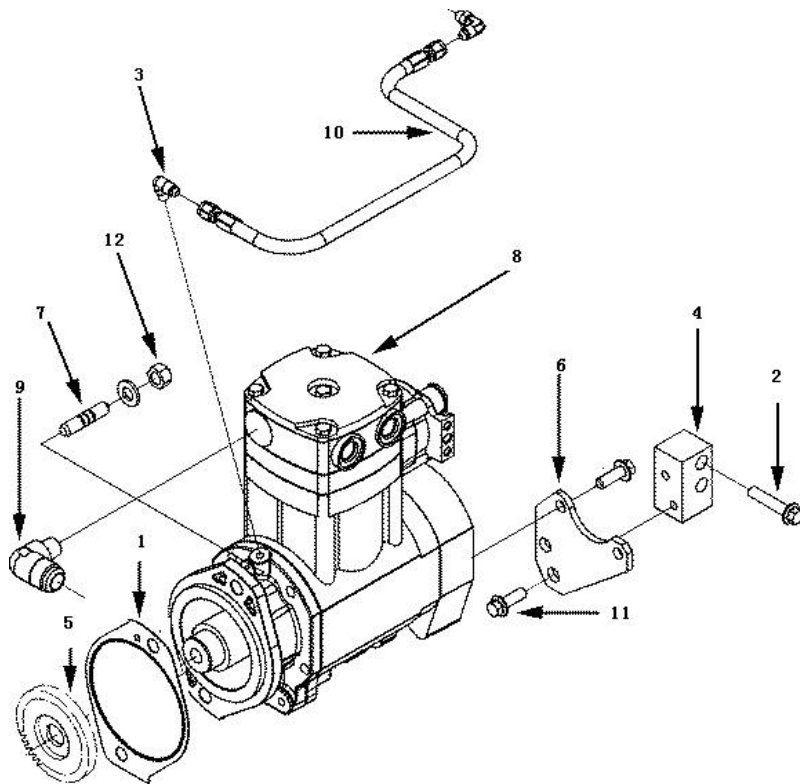


序号 No.	件号 Part No.	数量 Quantity	名称 Name	规格 Specification	适用产品 Products Applied	备注 Remark
12	Q40110	4	平垫圈 Plate Washer			
13	Q40110	8	平垫圈 Plate Washer			
14	Q40310	4	弹簧垫圈 Spring Washer			
15	Q40310	4	弹簧垫圈 Spring Washer			

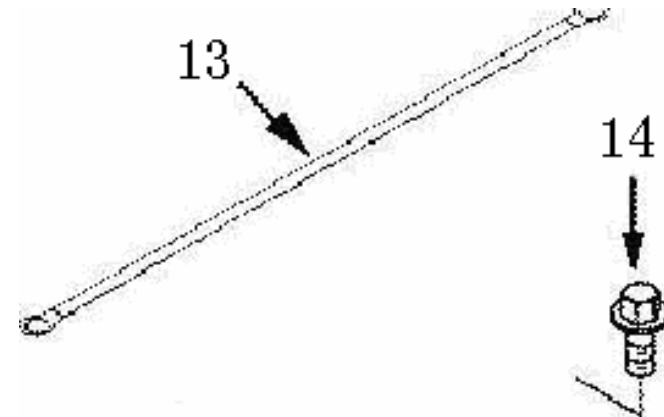
空压机组 (CP 9510)、搭铁线组 (EA 9089)  
AIR COMPRESSOR SET (CP 9510), GROUND WIRE SET (EA 9089)

10-AV

空压机组  
AIR COMPRESSOR SET



搭铁线组  
GROUND WIRE SET

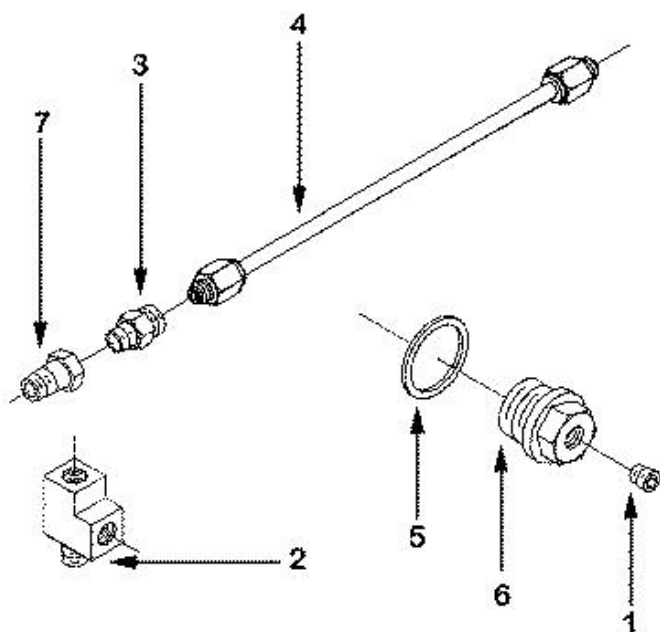


序号 No.	件号 Part No.	数量 Quantity	名称 Name	规格 Specification	适用产品 Products Applied	备注 Remark
1	3940245	1	液压泵密封垫 Hydraulic Pump Gasket		C260 20	
2	A3901757	2	六角法兰面螺栓 Hexagon Bolt With Flange		C260 20	
3	C3415333	1	弯管接头体 Elbow Joint		C260 20	
4	C3415606	1	隔块 Block		C260 20	
5	C3415607	1	空压机齿轮 Air Compressor Gear		C260 20	
6	C3934079	1	空气压缩机支架 Air Compressor Bracket		C260 20	
7	C3937122	2	双头螺栓 Stud Bolt		C260 20	
8	C3970805	1	空压机 Air Compressor		C260 20	
9	C3976749	1	弯管接头体总成 Elbow Joint Assembly		C260 20	
10	C3976797	1	组合软管 Combination Hose		C260 20	
11	Q1841030	4	六角法兰面螺栓 Hexagon Bolt With Flange			
12	Q32012	2	六角法兰面螺母 Hexagon Nut With Flange			
13	37N-24320	1	搭铁线 Ground Wire		C260 20 、 C300 20	
14	C3903990	1	六角法兰面螺栓 Hexagon Bolt With Flange		C260 20 、 C300 20	

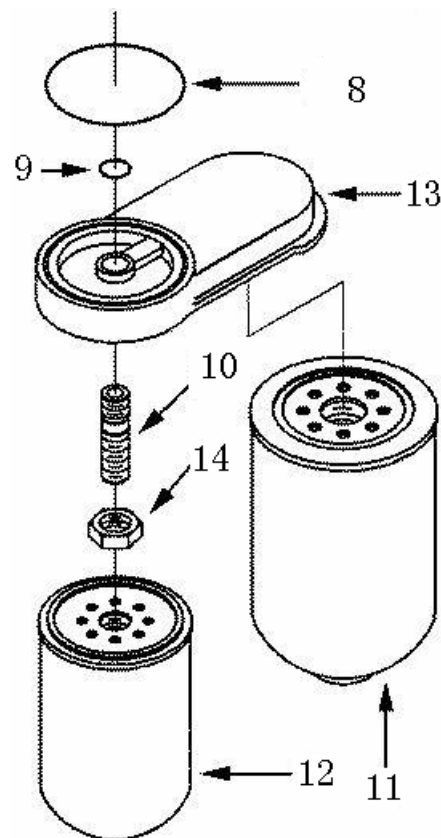
增压补偿器连接管组 (FE 9023)、燃油滤清器组 (FF 9340)  
 SUPERCHARGE BOOST COMPENSTAOR CONNECTING PIPE SET(FE 9023),  
 FUEL FILTER SET(FF 9340)

**10-AW**

增压补偿器连接管组  
 SUPERCHARGE BOOST COMPENSTAOR  
 CONNECTING PIPE SET



燃油滤清器组  
 FUEL FILTER SET



发动机系统 / ENGINE SYSTEM

10-120

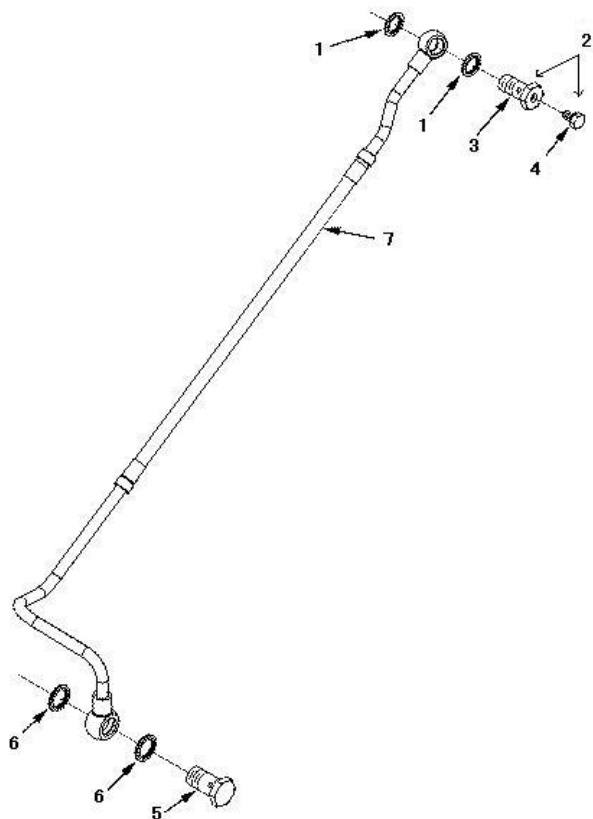
序号 No.	件号 Part No.	数量 Quantity	名称 Name	规格 Specification	适用产品 Products Applied	备注 Remark
1	C3008465	2	内六角锥型螺塞 Hexagon Socket Tapered Screw Plug		C260 20、C300 20、C325 20、C230 20	
2	C3282406	1	T形管接头 T-Tube Connector		C260 20、C300 20、C325 20、C230 20	
3	C3415336	2	直通接头体 Straight Joint		C260 20、C300 20、C325 20、C230 20	
4	C3415457	1	增压补偿器联结管 Supercharge Boost Compensator Connecting Pipe		C260 20、C300 20、C325 20、C230 20	
5	C3902425	2	密封垫圈 Seal Washer		C260 20、C300 20、C325 20、C230 20	
6	C3908110	2	螺塞 Plug		C260 20、C300 20、C325 20、C230 20	
7	C3909557	1	异径管套 Different Diameter Pipe Sleeve		C260 20、C300 20、C325 20、C230 20	
8	c3906694	1	矩形密封圈 Rectangle Seal Ring		C260 20、C300 20、C325 20、C230 20	
9	C3906695	1	矩形密封圈 Rectangle Seal Ring		C260 20、C300 20、C325 20、C230 20	
10	C3925955	1	滤清器座接头 Filter Seat Connector		C260 20、C300 20、C325 20、C230 20	
11	C3930942	1	油水分离器 Oil-Water Separator		C260 20、C300 20、C325 20、C230 20	
12	C3931063	1	燃油滤清器 Fuel Filter		C260 20、C300 20、C325 20、C230 20	
13	C3936315	1	燃油滤清器座总成 Fuel Filter Seat Assembly		C260 20、C300 20、C325 20、C230 20	
14	Q351B16-3H1	1	六角螺母 Hexagon Nut		C260 20、C300 20、C325 20、C230 20	



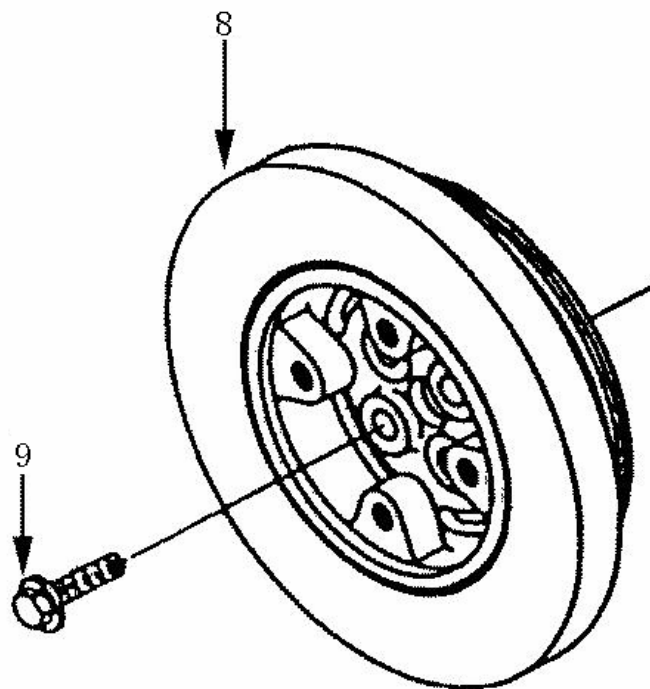
燃油滤清器连接管组 (FF 9489)、扭振减振器组 (DA 9728)  
FUEL FILTER CONNECTING PIPE SET (FF 9489),  
TORSIONAL DAMPER SET (DA 9728)

**10-AX**

燃油滤清器连接管组  
FUEL FILTER CONNECTING PIPE SET



扭振减振器组  
TORSIONAL DAMPER SET



发动机系统 / ENGINE SYSTEM

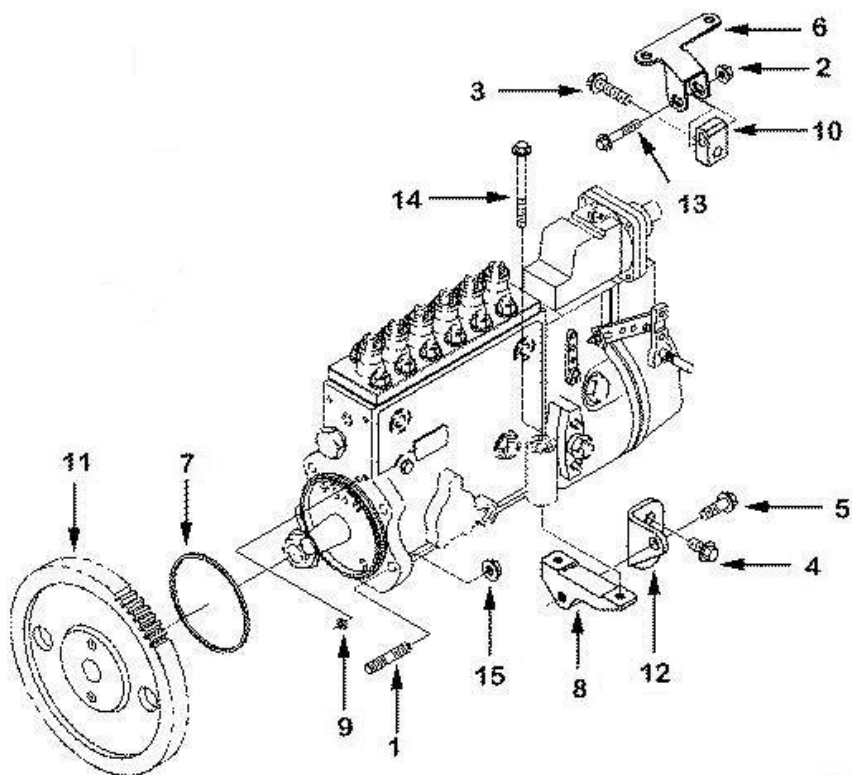
10-122

序号 No.	件号 Part No.	数量 Quantity	名称 Name	规格 Specification	适用产品 Products Applied	备注 Remark
1	C3863988	2	密封垫圈 Seal Washer		C260 20、C325 20、C230 20	
2	C3905860	1	琶形接头螺栓 Lute Joint Bolt		C260 20、C325 20、C230 20	
3	C3911446	1	琶形接头螺栓 Lute Joint Bolt		C260 20、C325 20、C230 20	
4	C3939570	1	带密封圈螺栓 Bolt W/Seal Ring		C260 20、C325 20、C230 20	
5	C3924725	1	琶形接头螺栓 Lute Joint Bolt		C260 20、C325 20、C230 20	
6	C3935171	2	密封垫圈 Seal Washer		C260 20、C325 20、C230 20	
7	C3937342	1	燃油输油管 Fuel Delivery Pipe		C260 20、C325 20、C230 20	
8	C3925567	1	扭振减振器 Torsional Damper		C260 20、C325 20、C230 20	
9	C3906733	4	六角法兰面螺栓 Hexagon Bolt With Flange		C260 20、C325 20、C230 20	

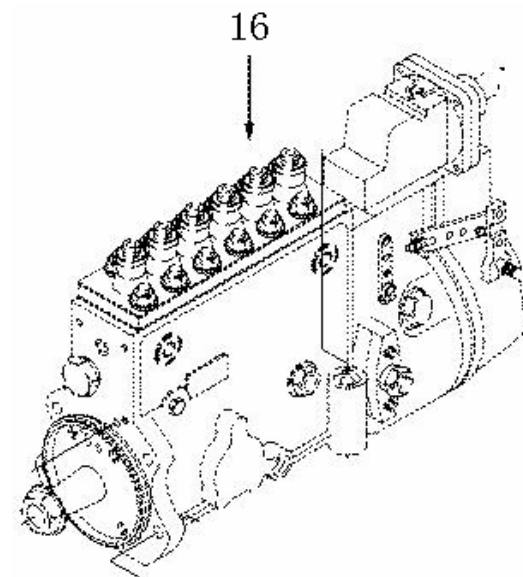
燃油泵连接件组 (FP99001)、基本燃油泵组 (FP90145)  
FUEL PUMP CONNECTING PART SET(FP99001),  
BASE FUEL PUMP SET(FP90145)

**10-AY**

燃油泵连接件组  
FUEL PUMP CONNECTING PART SET



基本燃油泵组  
BASE FUEL PUMP SET



发动机系统 / ENGINE SYSTEM

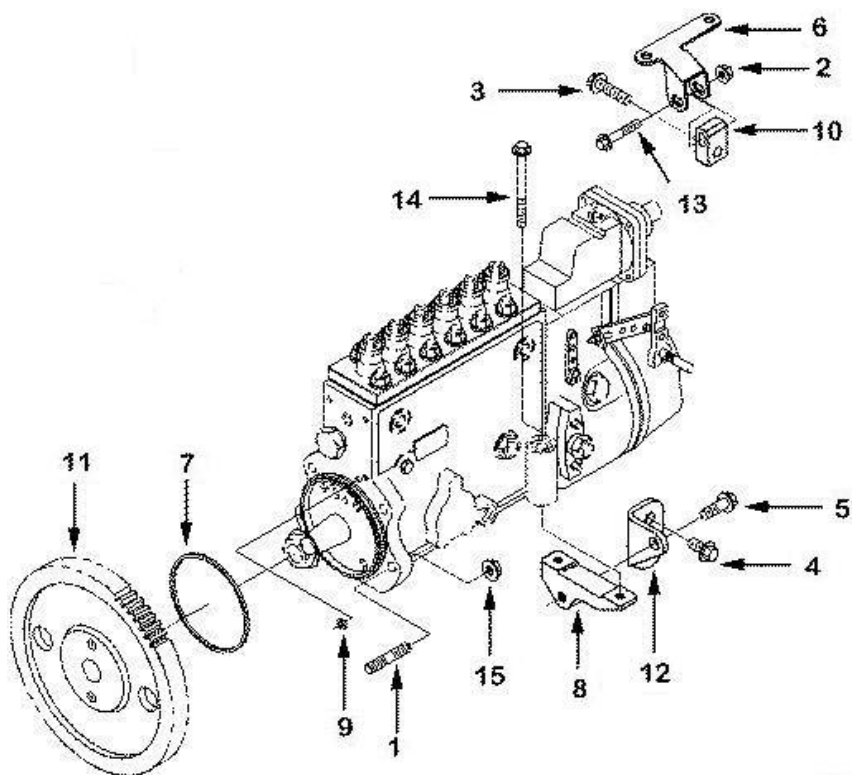
10-124

序号 No.	件号 Part No.	数量 Quantity	名称 Name	规格 Specification	适用产品 Products Applied	备注 Remark
1	C3282372	4	双头螺栓 Stud Bolt		C260 20、C300 20、C325 20、C230 20	
2	C3900589	1	六角法兰面螺母 Hexagon Nut With Flange		C260 20、C300 20、C325 20、C230 20	
3	C3903464	1	六角法兰面螺栓 Hexagon Bolt With Flange		C260 20、C300 20、C325 20、C230 20	
4	C3903990	2	六角法兰面螺栓 Hexagon Bolt With Flange		C260 20、C300 20、C325 20、C230 20	
5	C3920622	1	六角法兰面螺栓 Hexagon Bolt With Flange		C260 20、C300 20、C325 20、C230 20	
6	C3921357	1	燃油泵支撑 Fuel Pump Support		C260 20、C300 20、C325 20、C230 20	
7	C3924605	1	矩形密封圈 Rectangle Seal Ring		C260 20、C300 20、C325 20、C230 20	
8	C3926273	1	燃油泵支架 Fuel Pump Bracket		C260 20、C300 20、C325 20、C230 20	
9	C3926722	1	矩形密封圈 Rectangle Seal Ring		C260 20、C300 20、C325 20、C230 20	
10	C3926781	1	燃油泵支架 Fuel Pump Bracket		C260 20、C300 20、C325 20、C230 20	
11	C3931380	1	燃油泵齿轮 Fuel Pump Gear		C260 20、C300 20、C325 20、C230 20	
12	C3938091	1	燃油泵支架 Fuel Pump Bracket		C260 20、C300 20、C325 20、C230 20	
13	Q1840845-0H1	1	六角法兰面螺栓 Hexagon Bolt With Flange		C260 20、C300 20、C325 20、C230 20	
14	Q1840890-0H1	2	六角法兰面螺栓 Hexagon Bolt With Flange		C260 20、C300 20、C325 20、C230 20	

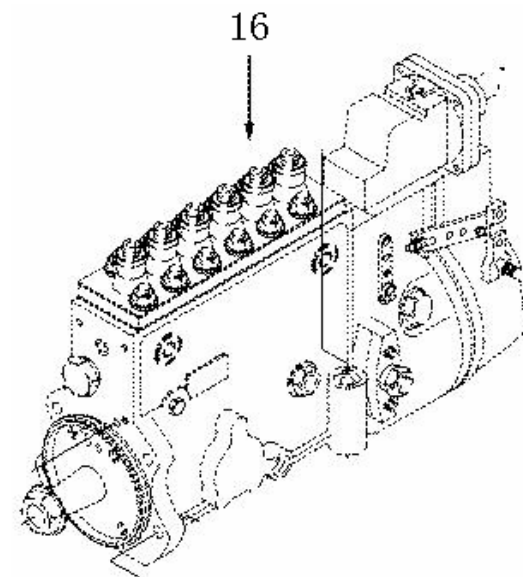
燃油泵连接件组 (FP99001)、基本燃油泵组 (FP90145)  
FUEL PUMP CONNECTING PART SET(FP99001),  
BASE FUEL PUMP SET(FP90145)

**10-AY**

燃油泵连接件组  
FUEL PUMP CONNECTING PART SET



基本燃油泵组  
BASE FUEL PUMP SET



发动机系统 / ENGINE SYSTEM

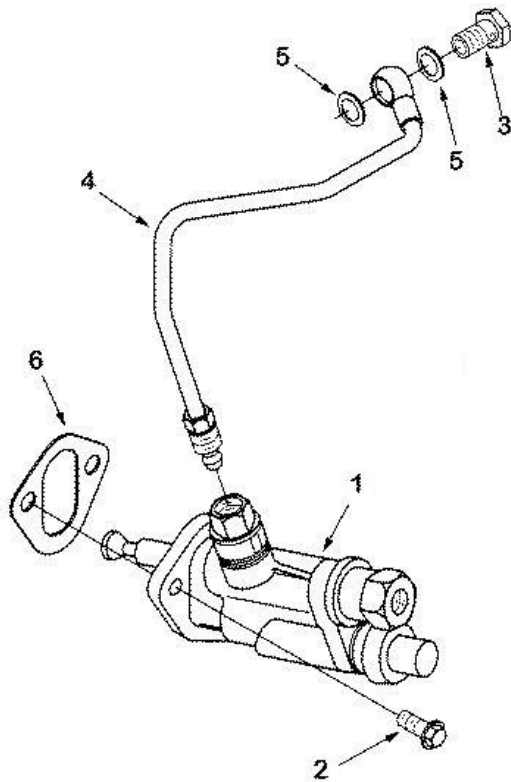
10-126

序号 No.	件号 Part No.	数量 Quantity	名称 Name	规格 Specification	适用产品 Products Applied	备注 Remark
15	Q32010	4	六角法兰面螺母 Hexagon Nut With Flange		C260 20、C300 20、C325 20、C230 20	
16	C3970493	1	燃油喷射泵 Fuel Injection Pump		C260 20	
	C3282610	1	燃油喷射泵 Fuel Injection Pump		C300 20	
	C3969547	1	燃油喷射泵 Fuel Injection Pump		C325 20	

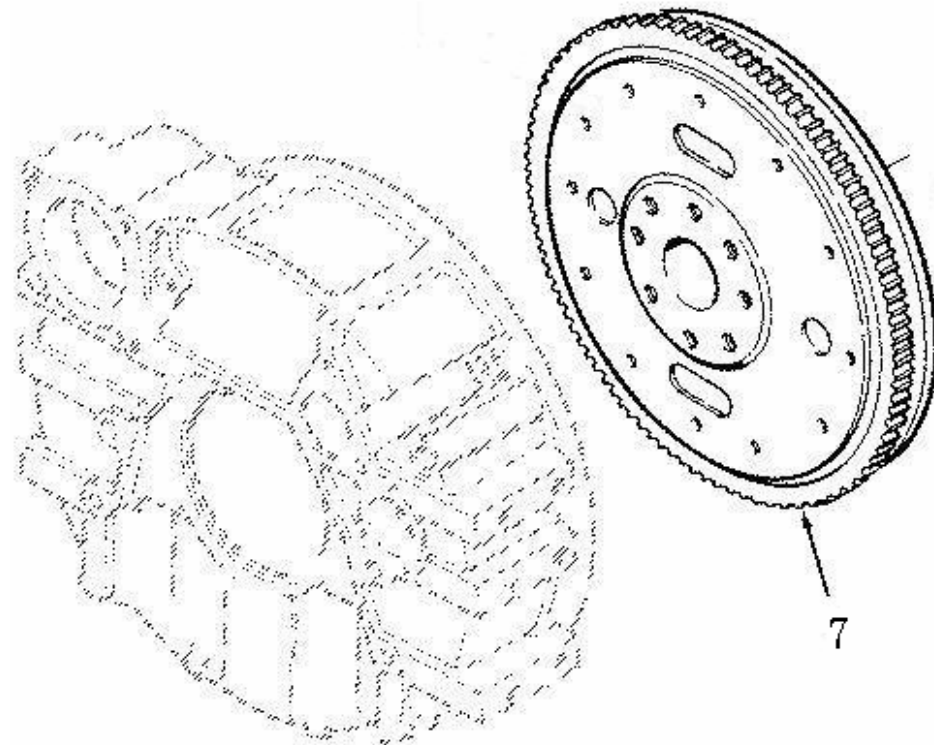
供油系附件组 (FS 9724)、飞轮组 (FW 9763)  
OIL SUPPLY SYSTEM ACCESSORY SET (FS 9724), FLYWHEEL SET (FW 9763)

10-AZ

供油系附件组  
OIL SUPPLY SYSTEM ACCESSORY SET



飞轮组  
FLYWHEEL SET



发动机系统 / ENGINE SYSTEM

10-128

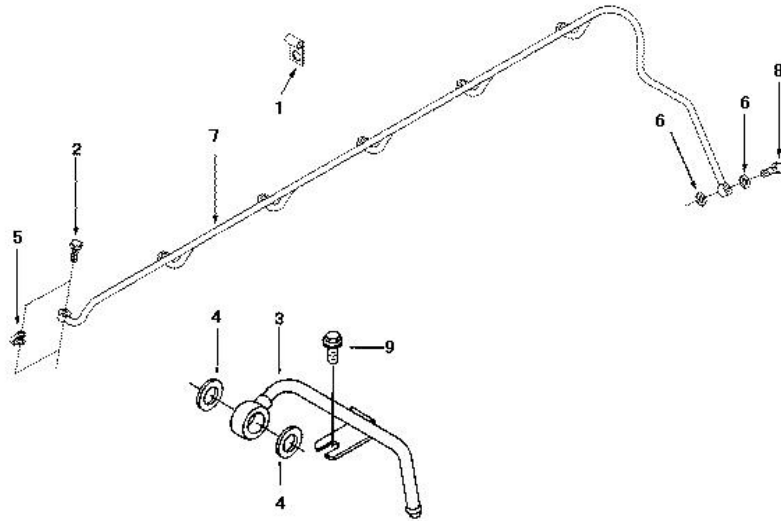
序号 No.	件号 Part No.	数量 Quantity	名称 Name	规格 Specification	适用产品 Products Applied	备注 Remark
1	C3415661	1	输油泵 Fuel Supply Pump		C260 20、C325 20、C230 20	
2	C3909310	2	六角法兰面螺栓 Hexagon Bolt With Flange		C260 20、C325 20、C230 20	
3	C3916361	1	琶形接头螺栓 Lute Joint Bolt		C260 20、C325 20、C230 20	
4	C3918539	1	燃油输油管 Fuel Delivery Pipe		C260 20、C325 20、C230 20	
5	C3935171	2	密封垫圈 Seal Washer		C260 20、C325 20、C230 20	
6	C3939258	1	输油泵密封垫 Fuel Supply Pump Gasket		C260 20、C325 20、C230 20	
7	A3960780	1	飞轮总成 Flywheel Assembly		C260 20、C325 20、C230 20	



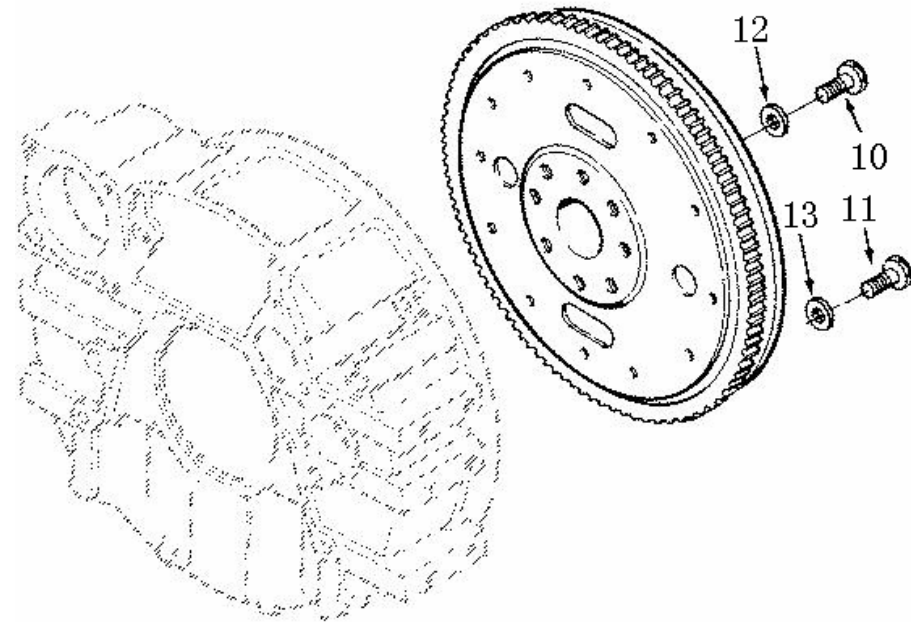
燃油管路组 (FT 9142)、飞轮安装件组 (FW 90025)  
FUEL LINE SET (FT 9142), FLYWHEEL MOUNTING PART SET (FW 90025)

10-BA

燃油管路组  
FUEL LINE SET



飞轮安装件组  
FLYWHEEL MOUNTING PART SET



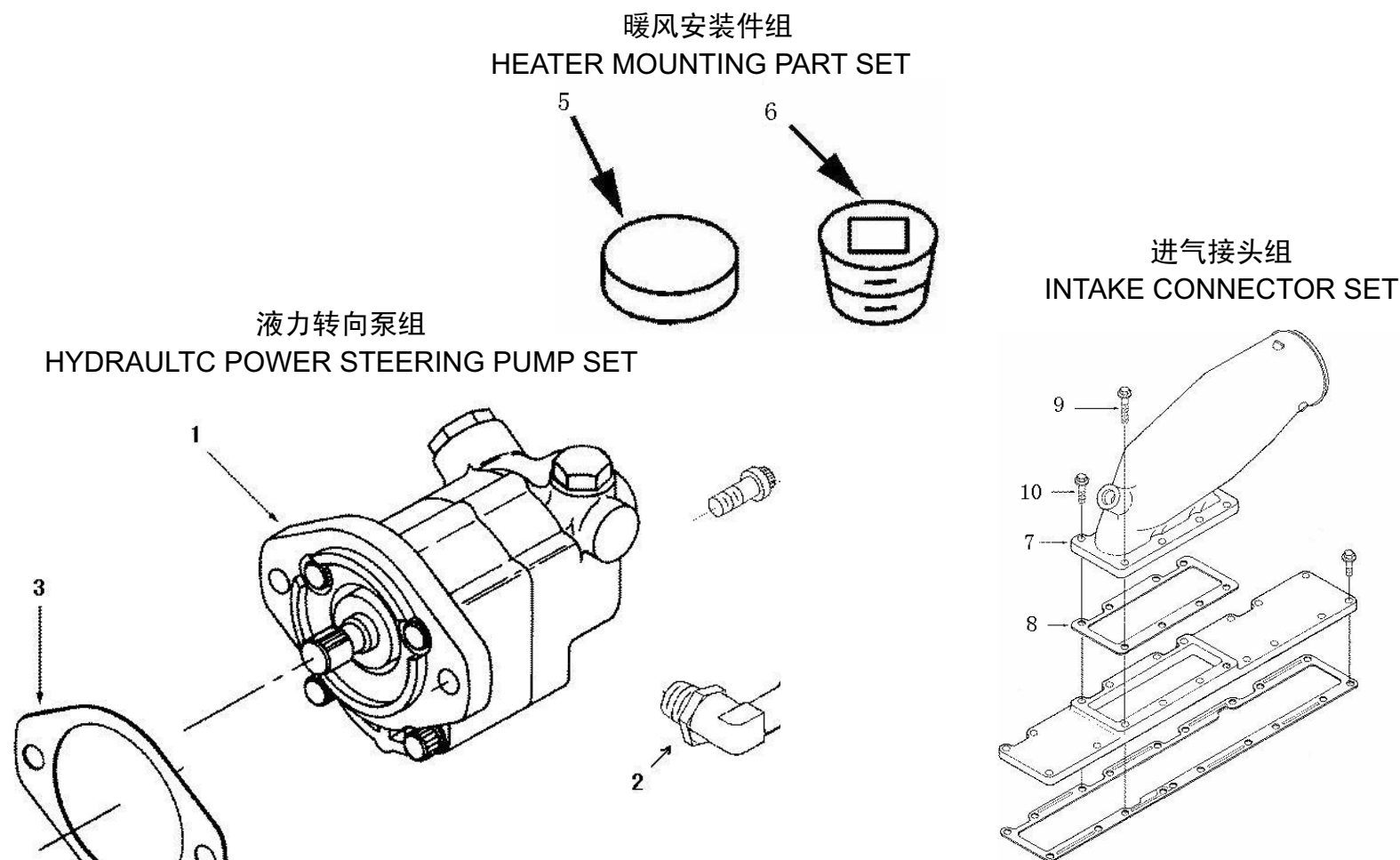
发动机系统 / ENGINE SYSTEM

10-130

序号 No.	件号 Part No.	数量 Quantity	名称 Name	规格 Specification	适用产品 Products Applied	备注 Remark
1	C3282059	1	夹子 Clamp		C260 20、C300 20、C325 20、C230 20	
2	C3282141	6	琶形接头螺栓 Lute Joint Bolt		C260 20、C300 20、C325 20、C230 20	
3	C3415562	1	燃油回油管总成 Fuel Drain Back Pipe Assembly		C260 20、C300 20、C325 20、C230 20	
4	C3863988	2	密封垫圈 Seal Washer		C260 20、C300 20、C325 20、C230 20	
5	C3903380	6	琶形接头垫片 Lute Joint Shim		C260 20、C300 20、C325 20、C230 20	
6	C3918188	2	密封垫圈 Seal Washer		C260 20、C300 20、C325 20、C230 20	
7	C3922667	1	燃油回油歧管 Fuel Drain Back Manifold		C260 20、C300 20、C325 20、C230 20	
8	C3924726	1	检查阀 Inspection Valve		C260 20、C300 20、C325 20、C230 20	
9	Q1840612-0H1	1	六角法兰面螺栓 Hexagon Bolt With Flange		C260 20、C300 20、C325 20、C230 20	
10	C3415323	4	飞轮螺栓 Flywheel Bolt		C260 20、C300 20、C325 20、C230 20	
11	C3415323	4	飞轮螺栓 Flywheel Bolt		C260 20、C300 20、C325 20、C230 20	
12	C3900269	4	平垫圈 Plate Washer		C260 20、C300 20、C325 20、C230 20	
13	C3900269	4	平垫圈 Plate Washer		C260 20、C300 20、C325 20、C230 20	

液力转向泵组 (FT 9127)、暖风安装件组 (HC 9023)、进气接头组 (IC 9359)  
 HYDRAULIC POWER STEERING PUMP SET (FT 9127), HEATER MOUNTING  
 PART SET (HC 9023), INTAKE CONNECTOR SET (IC 9359)

10-BB



发动机系统 / ENGINE SYSTEM

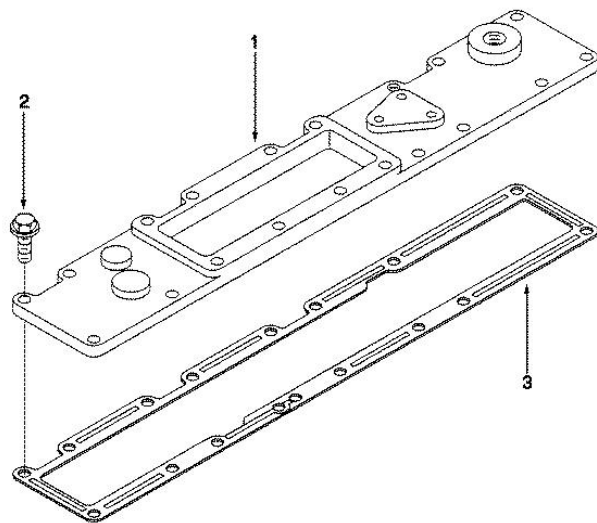
10-132

序号 No.	件号 Part No.	数量 Quantity	名称 Name	规格 Specification	适用产品 Products Applied	备注 Remark
1	3406Z61-001	1	液力转向泵 Hydraulic Power Steering Pump		C260 20	
2	34Z07-06025	1	弯管接头总成 - 油泵进油 Elbow Joint Assembly-Pump Fuel Feeding		C260 20	
3	C154916	1	液压泵密封垫 Hydraulic Pump Gasket		C260 20	
4	C3903464	2	六角法兰面螺栓 Hexagon Bolt With Flange		C260 20	
5	C156075	2	碗形塞 Bowl Plug		C260 20、C325 20	
6	C3008469	2	内六角锥形螺塞 Hexagon Socket Tapered Screw Plug		C260 20、C325 20	
7	A3960670	1	发动机进气接头 Engine Intake Connector		C260 20、C300 20、C230 20、C325 20	
8	C3415610	1	进气接头密封垫 Intake Connector Gasket		C260 20、C300 20、C230 20、C325 20	
9	C3900631	1	六角法兰面螺栓 Hexagon Bolt With Flange		C260 20、C300 20、C230 20、C325 20	
10	C3900633	7	六角法兰面螺栓 Hexagon Bolt With Flange		C260 20、C300 20、C230 20、C325 20	

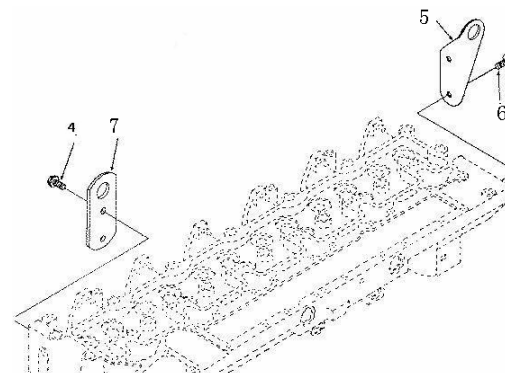
进气歧管盖组 (IM 9717)、发动机吊耳组 (LA 9068)、机油泵组 (LP 9725)  
INTAKE MANIFOLD COVER SET (IM 9717), ENGINE SHACKLE SET (LA 9068), OIL  
PUMP SET (LP 9725)

**10-BC**

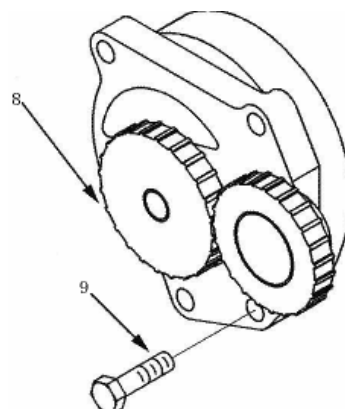
进气歧管盖组  
INTAKE MANIFOLD COVER SET



发动机吊耳组  
ENGINE SHACKLE SET



机油泵组  
OIL PUMP SET



发动机系统 / ENGINE SYSTEM

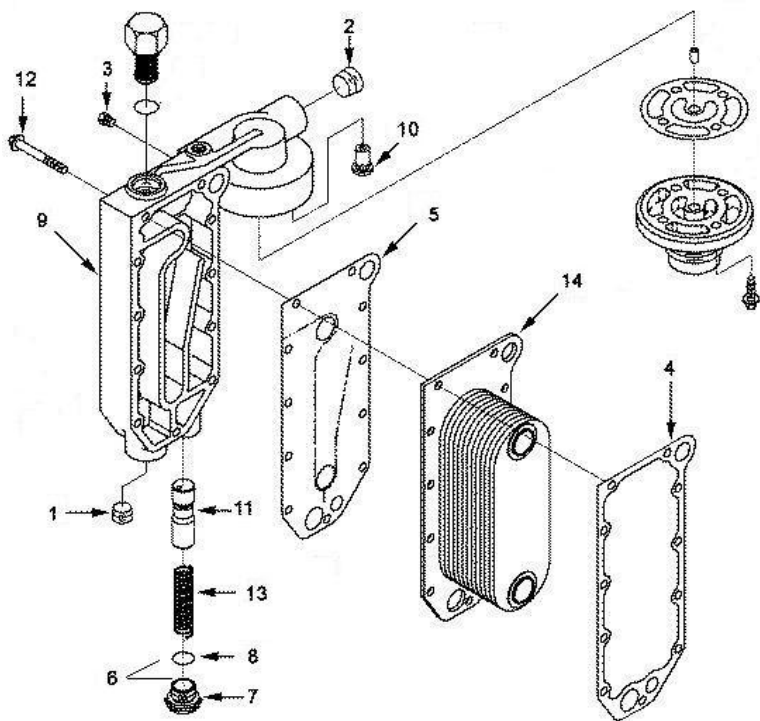
10-134

序号 No.	件号 Part No.	数量 Quantity	名称 Name	规格 Specification	适用产品 Products Applied	备注 Remark
1	C3354397	1	进气歧管盖 Intake Manifold Cover		C260 20、C300 20、C230 20、C325 20	
2	C3938036	11	六角法兰面螺栓 Hexagon Bolt With Flange		C260 20、C300 20、C230 20、C325 20	
3	D3936993	1	进气管盖密封垫 Gasket Of Intake Tube Cover		C260 20、C300 20、C230 20、C325 20	
4	C3901249	2	六角法兰面螺栓 Hexagon Bolt With Flange		C260 20、C300 20、C230 20、C325 20	
5	C3906440	1	发动机吊耳 Engine Shackle		C260 20、C300 20、C230 20、C325 20	
6	C3907861	1	吊耳 Shackle		C260 20、C300 20、C230 20、C325 20	
7	Q150B1225	2	六角头螺栓 Hexagon Head Bolt		C260 20、C300 20、C230 20、C325 20	
8	C3966840	1	机油泵 Oil Pump			
9	Q150B0830	4	六角头螺栓 Hexagon Head Bolt		C260 20、C300 20、C230 20、C325 20	

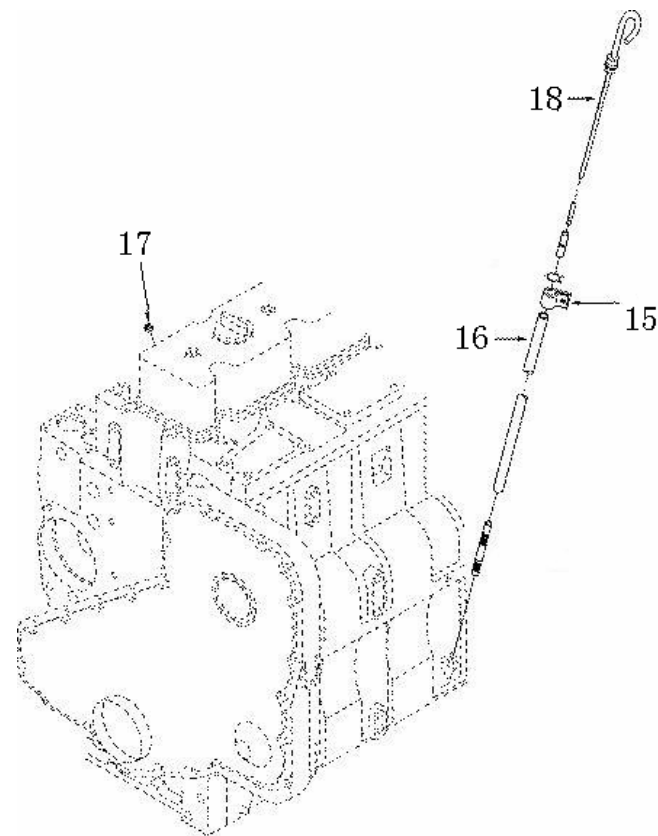
机油冷却器组 (LC 9227)、机油标尺组 (LG90021)  
OIL COOLER SET(LC 9227),OIL DIPSTICK SET(LG90021)

**10-BD**

进气歧管盖组  
OIL COOLER SET



机油标尺组  
OIL DIPSTICK SET



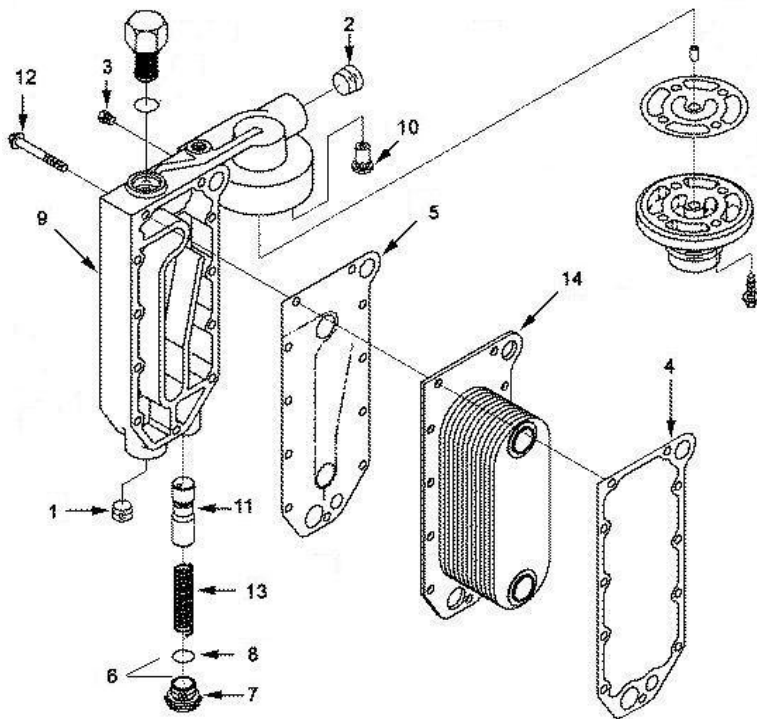
序号 No.	件号 Part No.	数量 Quantity	名称 Name	规格 Specification	适用产品 Products Applied	备注 Remark
1	C3008468	1	内六角锥形螺塞 Hexagon Socket Tapered Screw Plug		C260 20、C300 20、C230 20、C325 20	
2	C3008469	1	内六角锥形螺塞 Hexagon Socket Tapered Screw Plug		C260 20、C300 20、C230 20、C325 20	
3	C3906619	2	六角头锥形螺塞 Hexagon Tapered Screw Plug		C260 20、C300 20、C230 20、C325 20	
4	C3918174	1	机油冷却器芯密封垫 Oil Cooler Element Gasket		C260 20、C300 20、C230 20、C325 20	
5	C3929011	1	机油冷却器座密封垫 Oil Cooler Seat Gasket		C260 20、C300 20、C230 20、C325 20	
6	C3931084	1	螺塞总成 Plug Assembly		C260 20、C300 20、C230 20、C325 20	
7	C3930910	1	螺塞 Plug		C260 20、C300 20、C230 20、C325 20	
8	C3930911	1	O形密封圈 O-Seal Ring		C260 20、C300 20、C230 20、C325 20	
9	C3934159	1	机油滤清器座总成 Oil Filter Seat Assembly		C260 20、C300 20、C230 20、C325 20	
10	C3934410	1	机油旁通阀 Oil Bypass Valve		C260 20、C300 20、C230 20、C325 20	
11	C3945967	1	机油调压阀柱塞 Oil Pressure Control Valve Plunger		C260 20、C300 20、C230 20、C325 20	
12	C3966976	11	六角法兰面螺栓 Hexagon Bolt With Flange		C260 20、C300 20、C230 20、C325 20	
13	C3970655	1	压缩弹簧 Compression Spring		C260 20、C300 20、C230 20、C325 20	
14	C3974815	1	机油冷却器芯 Oil Cooler Element		C260 20、C300 20、C230 20、C325 20	



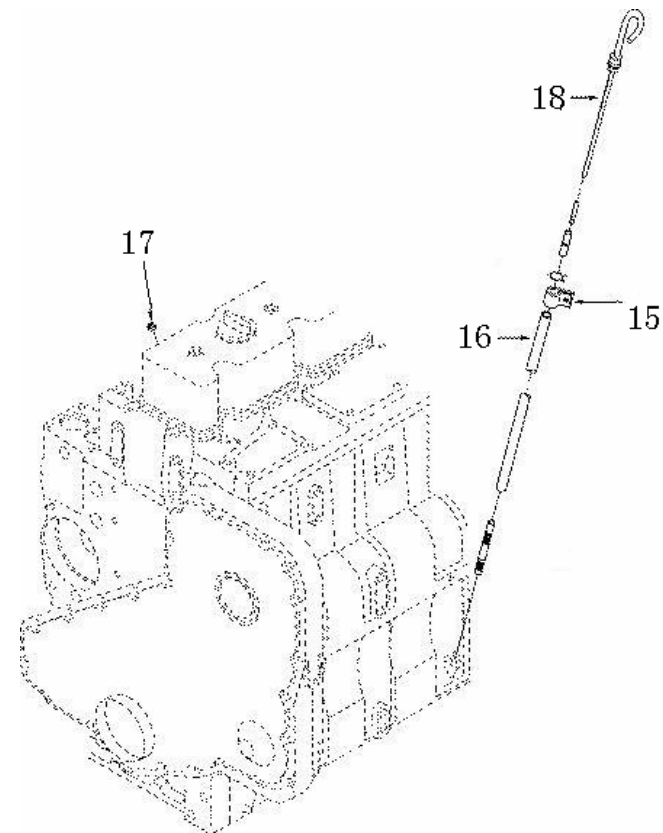
机油冷却器组 (LC 9227)、机油标尺组 (LG90021)  
OIL COOLER SET(LC 9227),OIL DIPSTICK SET(LG90021)

**10-BD**

机油冷却器组  
OIL COOLER SET



机油标尺组  
OIL DIPSTICK SET

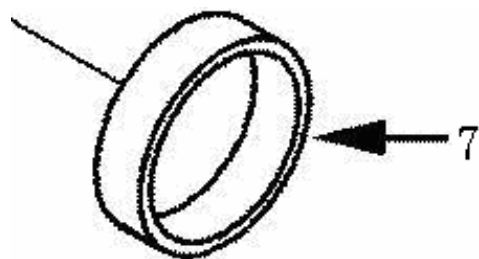


序号 No.	件号 Part No.	数量 Quantity	名称 Name	规格 Specification	适用产品 Products Applied	备注 Remark
15	C108722	1	夹子 Clamp		C260 20、C300 20、C230 20、C325 20	
16	C3285703	1	机油标尺管 Oil Dipstick Pipe		C260 20、C300 20、C230 20、C325 20	
17	C3943808	1	碗形塞 Bowl Plug		C260 20、C300 20、C230 20、C325 20	
18	C3945613	1	机油标尺 Oil Dipstick		C260 20、C300 20、C230 20、C325 20	

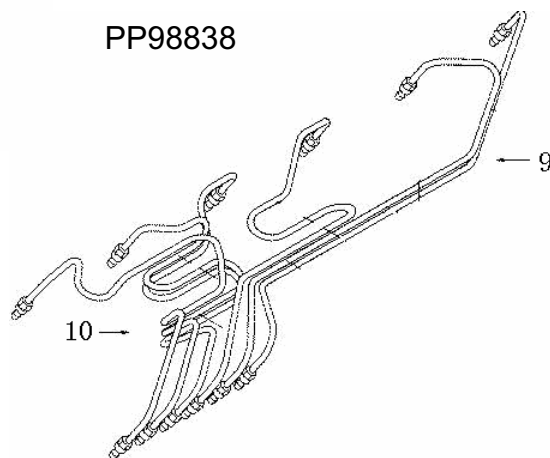
缸体加油附件组 (OB9377)、缸盖冷却管路组 (PP98459)、喷油器管路组 (PP98838)  
CYLINDER OIL FILLER ACCESSORY SET(OB9377),CYLINDER HEAD COOLING  
LINE SET(PP98459),INJECTOR LINE SET(PP98838)

**10-BE**

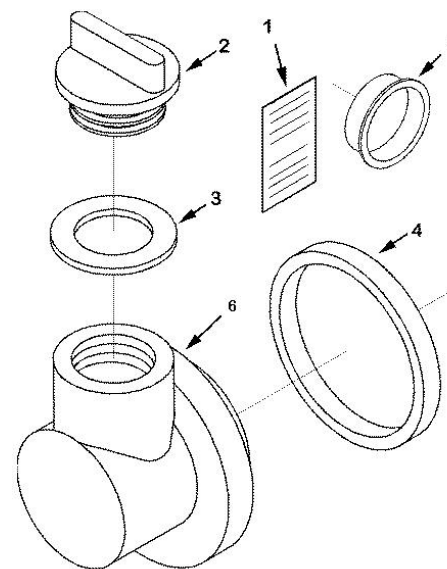
PP98459



PP98838



OB9377



## 发动机系统 / ENGINE SYSTEM

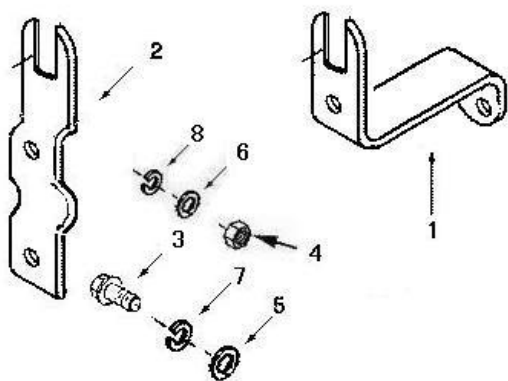
10-140

序号 No.	件号 Part No.	数量 Quantity	名称 Name	规格 Specification	适用产品 Products Applied	备注 Remark
1	C3415403	1	标签 - 润滑油使用要求 Label-Lubricant Service Requirement		C260 20	
2	C3901895	1	加机油口盖 Oil Filler Cap		C260 20	
3	C3902363	1	矩形密封圈 Rectangle Seal Ring		C260 20	
4	C3903475	1	矩形密封圈 Rectangle Seal Ring		C260 20	
5	C3905401	1	碗形塞 Bowl Plug		C260 20	
6	C3921644	1	加机油接管 Oil Filler Pipe		C260 20	
7	C3008464	1	内六角锥形螺塞 Hexagon Socket Tapered Screw Plug		C260 20、C300 20、C230 20、C325 20	
8	C3912900	1	碗形塞 Bowl Plug		C260 20、C300 20、C230 20、C325 20	
9	C3925324	1	高压油管 High Pressure Oil Pipe		C260 20、C300 20、C230 20、C325 20	
10	C3966996	1	高压油管 High Pressure Oil Pipe		C260 20、C300 20、C230 20、C325 20	

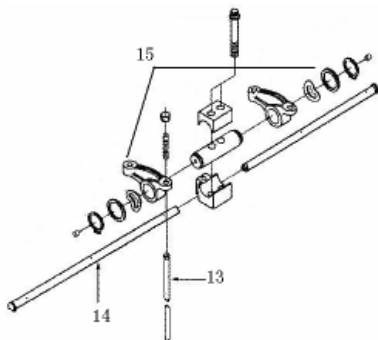
油门操纵组 (MS 9067)、增压器组 (PP 98565)、摇臂组 (RL 9732)、发动机冷却液出气组 (RP 9071)/THROTTLE CONTROL SET(MS 9067),SUPERCHARGER SET(PP 98565),ROCKER ARM SET(RL 9732),ENGINE COOLANT DEAERATION SET(RP 9071)

**10-BF**

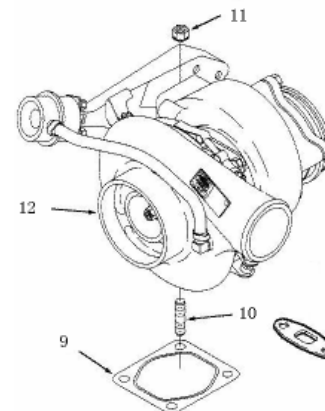
油门操纵组  
THROTTLE CONTROL SET



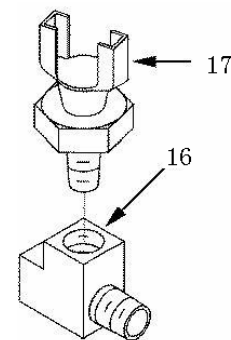
摇臂组  
ROCKER ARM SET



增压器组  
SUPERCHARGER SET



发动机冷却液出气组  
ENGINE COOLANT DEAERATION SET

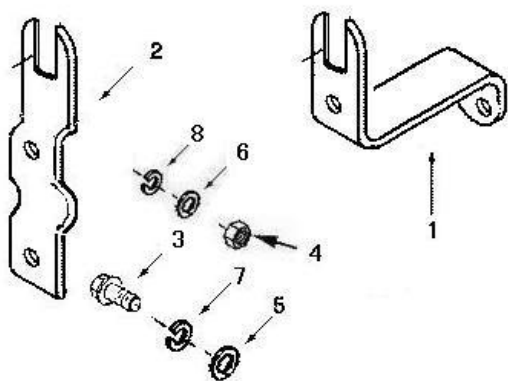


序号 No.	件号 Part No.	数量 Quantity	名称 Name	规格 Specification	适用产品 Products Applied	备注 Remark
1	11N12-08091	1	油泵加速摇臂连接 Oil Pump Accelerating Rocker Arm Connector		C260 20、C300 20、C230	
2	C3975926	1	加速操纵线调整固定板 Accelerating Control Adjusting Fixing Plate		C260 20、C300 20、C230	
3	Q150B0620	1	六角头螺栓 Hexagon Head Bolt			
4	Q340B08	2	I型六角螺母 Hexagon Full Nut			
5	Q40106	1	平垫圈 Plate Washer			
6	Q40108	2	平垫圈 Plate Washer			
7	Q40306	1	弹簧垫圈 Spring Washer			
8	Q40308	2	弹簧垫圈 Spring Washer			
9	C3755843	1	增压器密封垫 Supercharger Gasket		C260 20	
10	C3818823	4	双头螺栓 Stud Bolt		C260 20	
11	C3818824	4	六角法兰面螺母 Hexagon Nut With Flange		C260 20	
12	C4050217	1	增压器 Supercharger		C260 20	
13	C3905194	12	推杆 Push Rod		C260 20、C300 20、C230 20、C325 20	
14	C3919677	1	输油歧管 Oil Delivery Manifold		C260 20、C300 20、C230 20、C325 20	

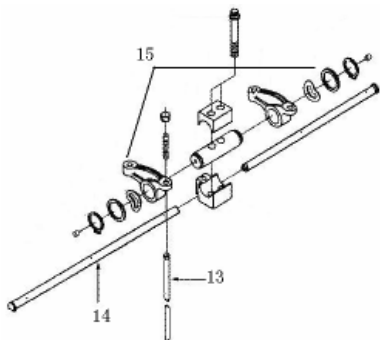
油门操纵组 (MS 9067)、增压器组 (PP 98565)、摇臂组 (RL 9732)、发动机冷却液出气组 (RP 9071)/THROTTLE CONTROL SET(MS 9067),SUPERCHARGER SET(PP 98565),ROCKER ARM SET(RL 9732),ENGINE COOLANT DEAERATION SET(RP 9071)

**10-BF**

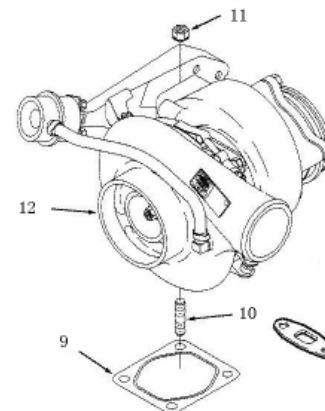
油门操纵组  
THROTTLE CONTROL SET



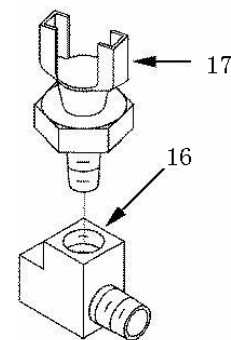
摇臂组  
ROCKER ARM SET



增压器组  
SUPERCHARGER SET



发动机冷却液出气组  
ENGINE COOLANT DEAERATION SET



发动机系统 /ENGINE SYSTEM

10-144

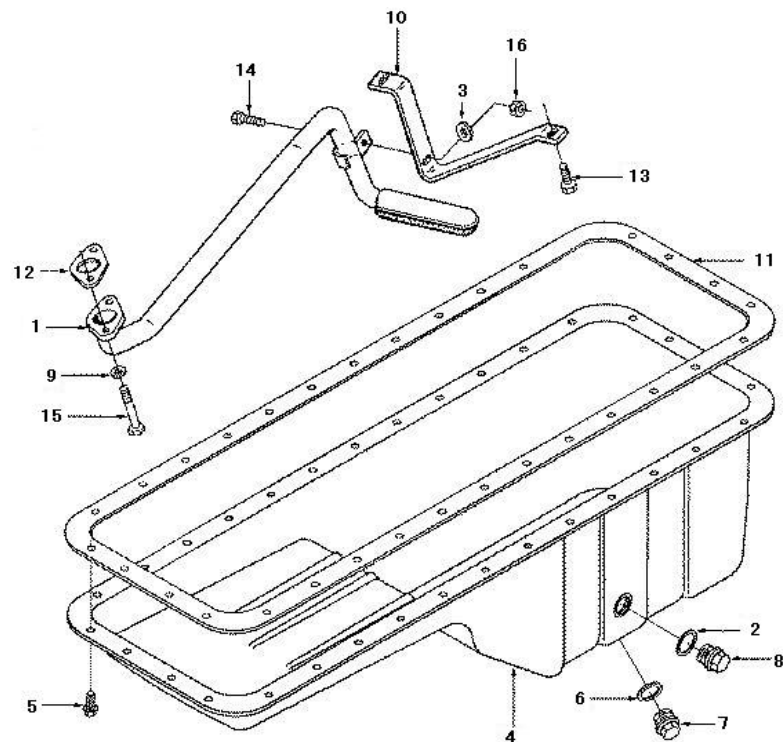
序号 No.	件号 Part No.	数量 Quantity	名称 Name	规格 Specification	适用产品 Products Applied	备注 Remark
15	C3934921	6	摇臂总成 Rocker Arm Assembly		C260 20、C300 20、C230 20、C325 20	
16	C3629097	1	弯管接头体 Elbow Joint		C260 20、C300 20、C230 20、C325 20	
17	C3970002	1	除气接头总成 Deaeraton Connector Assembly		C260 20、C300 20、C230 20、C325 20	



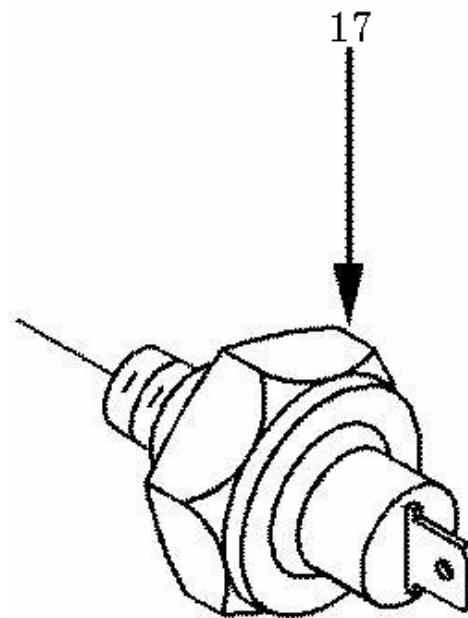
油底壳组 (OP 9352)、压力报警传感器组 (SD 9112)  
OIL PAN SET(OP 9352),PRESSURE ALARM SENSOR SET(SD 9112)

10-BG

油底壳组  
OIL PAN SET



压力报警传感器组  
PRESSURE ALARM SENSOR SET

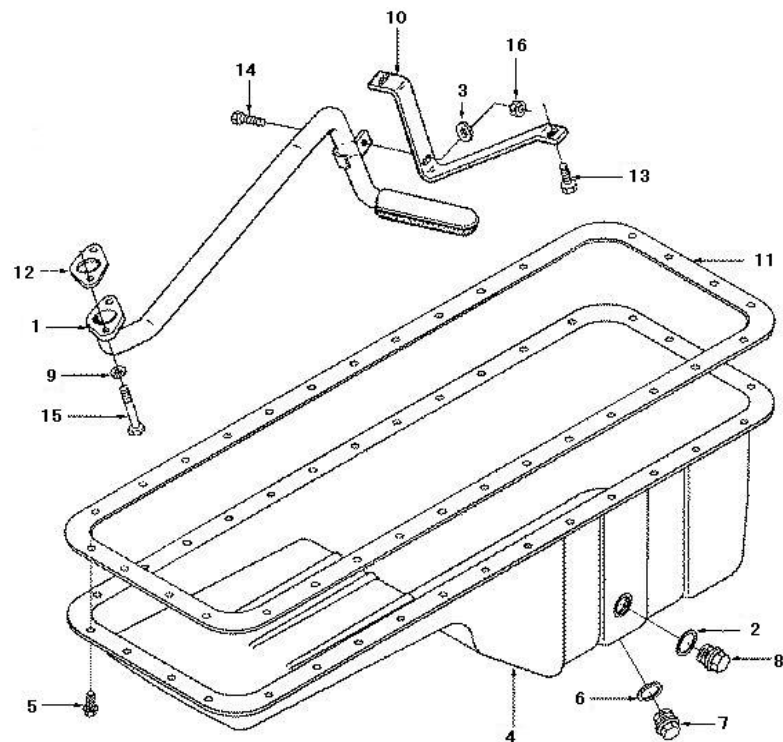


序号 No.	件号 Part No.	数量 Quantity	名称 Name	规格 Specification	适用产品 Products Applied	备注 Remark
1	3910787	1	机油吸油管 Oil Suction Pipe		C300 20、C325 20、C230 20、C260 20	
2	C3902425	1	密封垫圈 Seal Washer		C300 20、C325 20、C230 20、C260 20	
3	C3910960	1	平垫圈 Plate Washer		C300 20、C325 20、C230 20、C260 20	
4	C3914013	1	油底壳 Oil Pan		C300 20、C325 20、C230 20、C260 20	
5	C3920400	32	六角法兰面螺栓 Hexagon Bolt With Flange		C300 20、C325 20、C230 20、C260 20	
6	C3920773	1	密封垫圈 Seal Washer		C300 20、C325 20、C230 20、C260 20	
7	C3924147	1	油底壳螺塞 Oil Pan Plug		C300 20、C325 20、C230 20、C260 20	
8	C3924148	1	螺塞 Plug		C300 20、C325 20、C230 20、C260 20	
9	C3926865	2	隔块 Block		C300 20、C325 20、C230 20、C260 20	
10	C3927611	1	管路支架 Line Support		C300 20、C325 20、C230 20、C260 20	
11	C3938160	1	油底壳密封垫 Oil Pan Gasket		C300 20、C325 20、C230 20、C260 20	
12	C3939352	1	机油吸油管密封垫 Oil Suction Pipe Gasket		C300 20、C325 20、C230 20、C260 20	
13	Q1840616-0H1	2	六角法兰面螺栓 Hexagon Bolt With Flange		C300 20、C325 20、C230 20、C260 20	
14	Q1840620	1	六角法兰面螺栓 Hexagon Bolt With Flange			

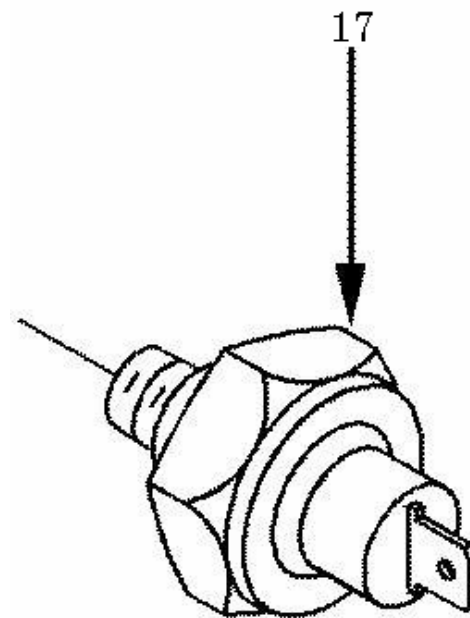
油底壳组 (OP 9352)、压力报警传感器组 (SD 9112)  
OIL PAN SET(OP 9352),PRESSURE ALARM SENSOR SET(SD 9112)

10-BG

油底壳组  
OIL PAN SET



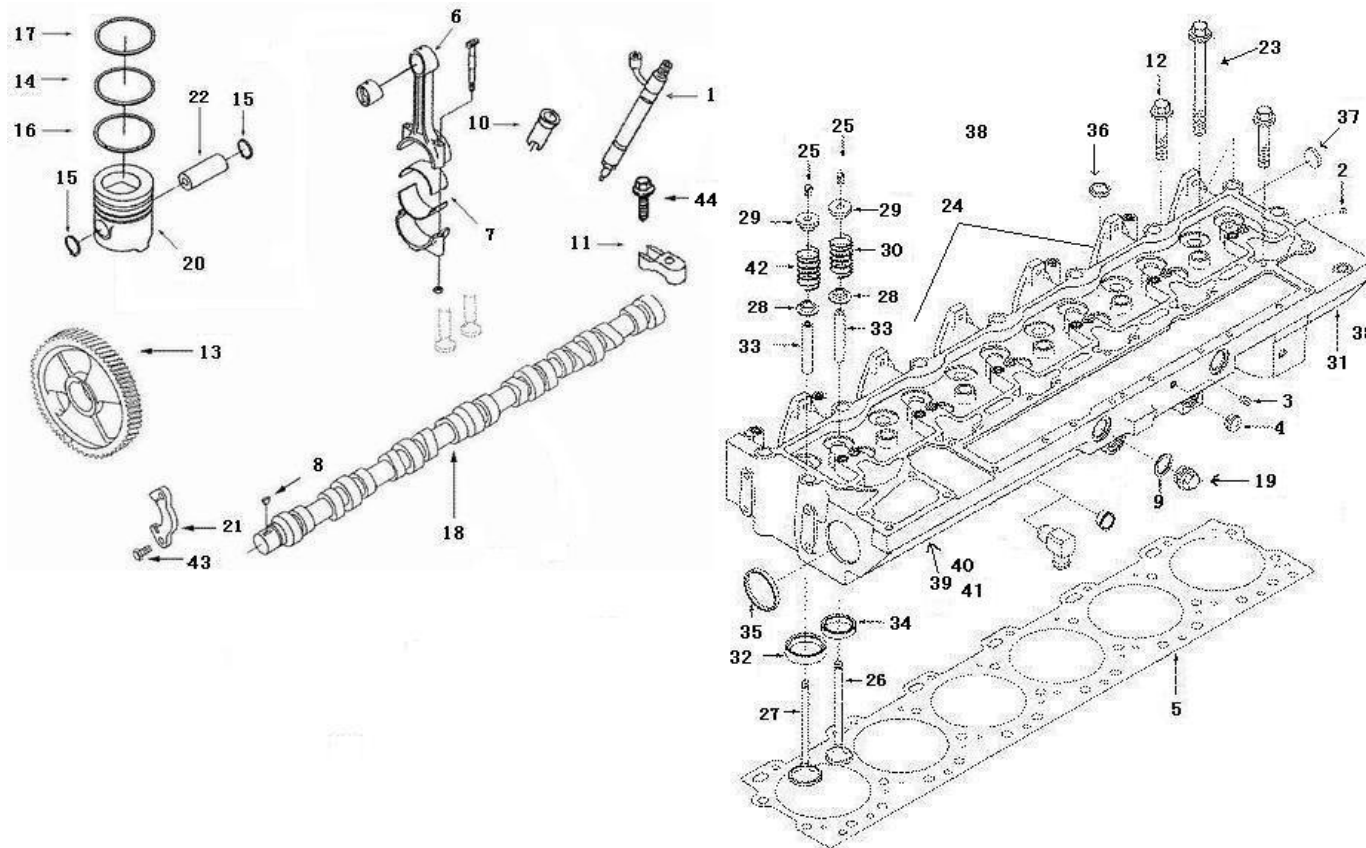
压力报警传感器组  
PRESSURE ALARM SENSOR SET



序号 No.	件号 Part No.	数量 Quantity	名称 Name	规格 Specification	适用产品 Products Applied	备注 Remark
15	Q1840630	2	六角法兰面螺栓 Hexagon Bolt With Flange			
16	Q32006	1	六角法兰面螺栓 Hexagon Bolt With Flange			
17	3846N06-010	1	压力报警传感器 Pressure Alarm Sensor		C260 20、C300 20、C325 20、C230 20	

## 性能件组 (PP40303)/FUNCTIONAL PART SET(PP40303)

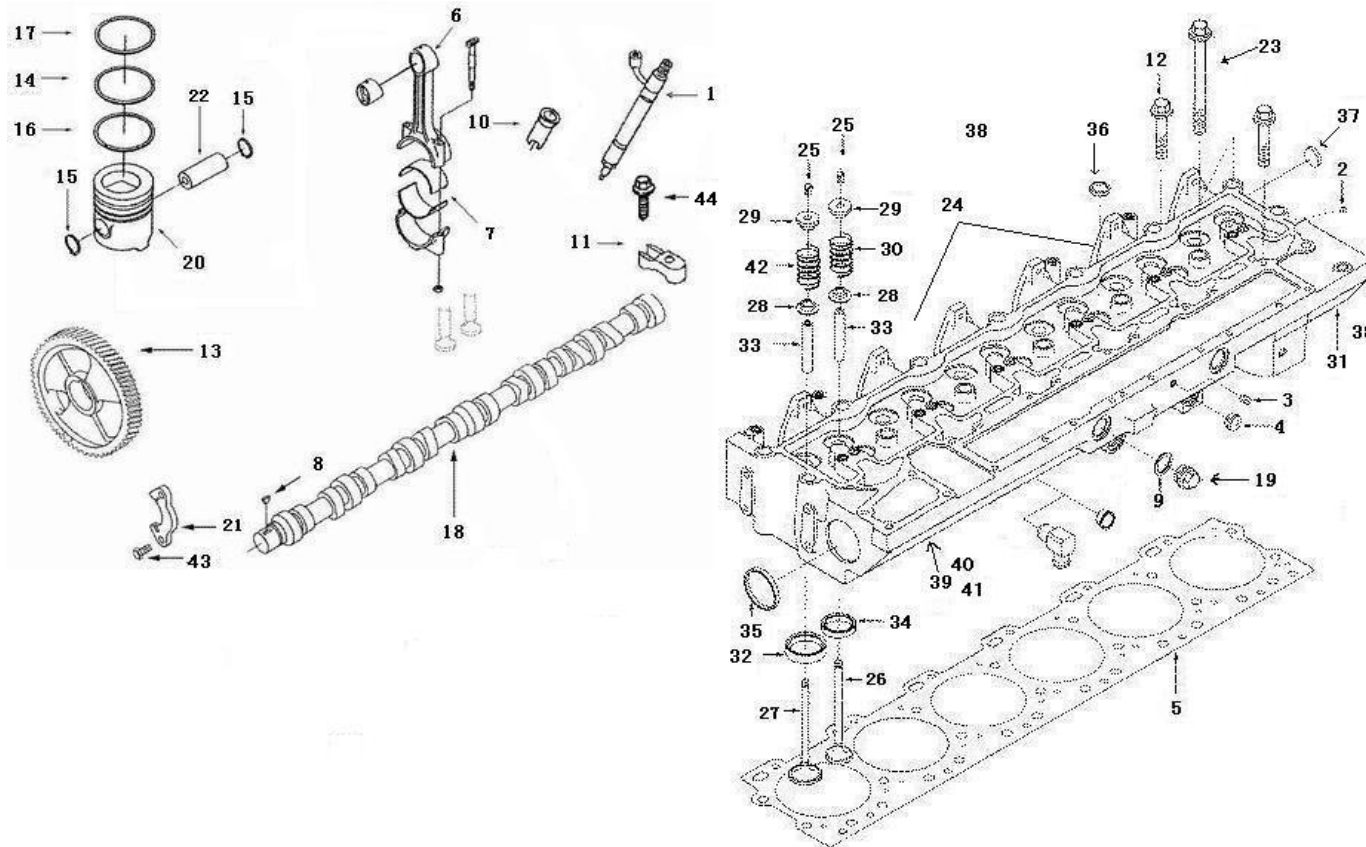
## 10-BH



序号 No.	件号 Part No.	数量 Quantity	名称 Name	规格 Specification	适用产品 Products Applied	备注 Remark
1	3928384	6	喷油器 Injector		C260 20	
2	C3008464	1	内六角锥形螺塞 Hexagon Socket Tapered Screw Plug		C260 20	
3	C3008466	1	内六角锥形螺塞 Hexagon Socket Tapered Screw Plug		C260 20	
4	C3008468	1	内六角锥形螺塞 Hexagon Socket Tapered Screw Plug		C260 20	
5	C3415501	1	气缸盖密封垫 Cylinder Head Gasket		C260 20	
6	C3901383	6	连杆 Connecting Rod		C260 20	
7	C3901430	12	连杆瓦 Connecting Rod Bearing Shell		C260 20	
8	C3902332	1	半圆键 Semicircular Key		C260 20	
9	C3902425	2	密封垫圈 Seal Washer		C260 20	
10	C3909886	6	喷油器密封套 Injector Seal Sleeve		C260 20	
11	C3910279	6	喷油器压板 Injector Pressure Plate		C260 20	
12	C3917729	12	六角法兰面螺栓 Hexagon Bolt With Flange		C260 20	
13	C3918777	1	凸轮轴齿轮 Camshaft Gear		C260 20	
14	C3919918	6	中压缩环 Middle Compression Ring		C260 20	

## 性能件组 (PP40303)/FUNCTIONAL PART SET(PP40303)

## 10-BH

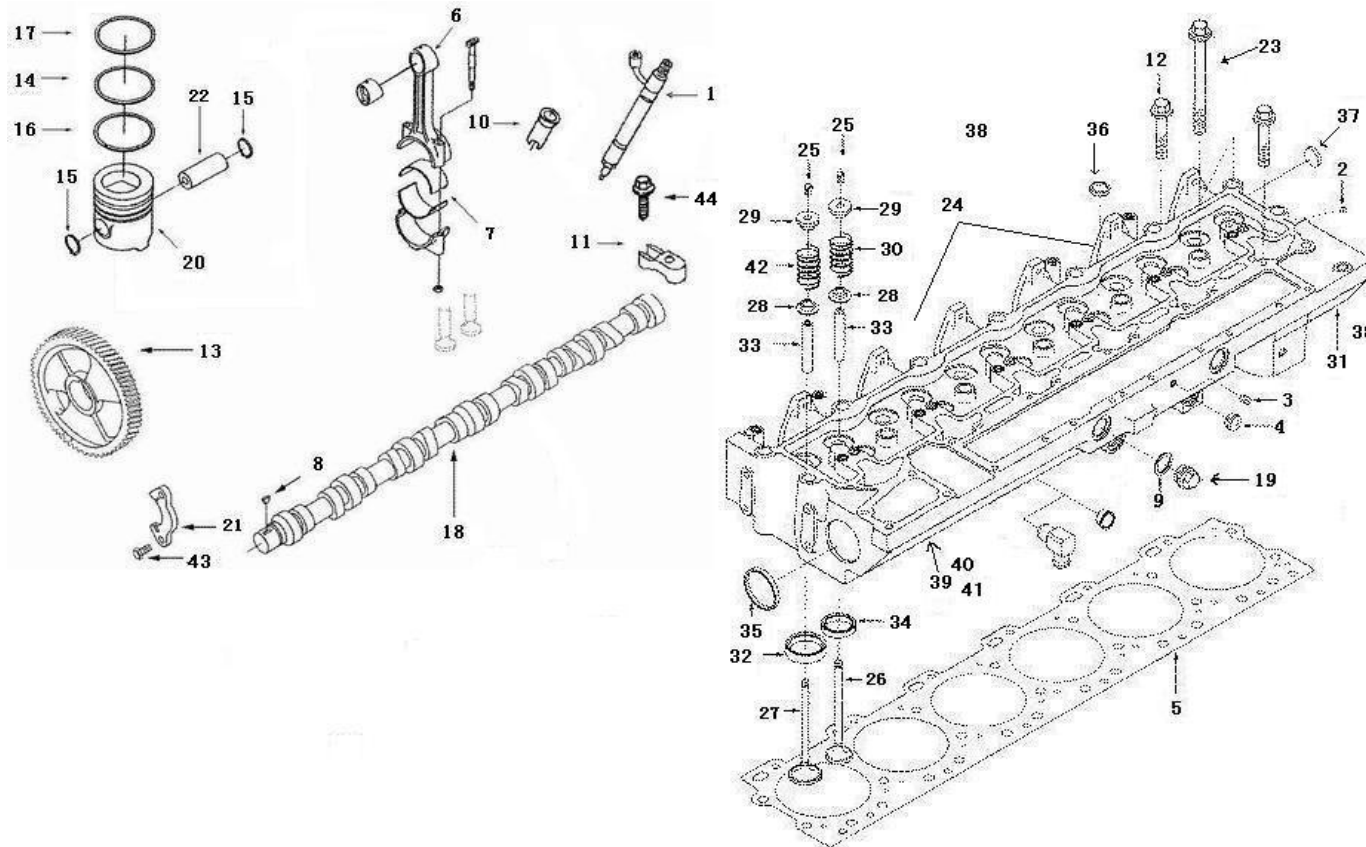


序号 No.	件号 Part No.	数量 Quantity	名称 Name	规格 Specification	适用产品 Products Applied	备注 Remark
15	C3920692	12	挡圈 Retainer Ring		C260 20	
16	C3921919	6	油环 Oil Ring		C260 20	
17	C3922686	6	上压缩环 Upper Compression Ring		C260 20	
18	C3923478	1	凸轮轴 Camshaft		C260 20	
19	C3924148	2	螺塞 Plug		C260 20	
20	C3925878	6	活塞 Piston		C260 20	
21	C3927155	1	凸轮轴止推片 Camshaft Thrust Plate		C260 20	
22	C3934046	6	活塞销 Piston Pin		C260 20	
23	C3960043	14	六角法兰面螺栓 Hexagon Bolt With Flange		C260 20	
24	C4931026	1	气缸盖组合件 Cylinder Head Set		C260 20	
25	3901177	24	气门锁块 Valve Lock Piece		C260 20	
26	3921444	6	排气阀 Exhaust Valve		C260 20	
27	3924492	6	进气阀 Intake Valve		C260 20	
28	3927642	12	气阀杆油封 Valve Stem Oil Seal		C260 20	



## 性能件组 (PP40303)/FUNCTIONAL PART SET(PP40303)

## 10-BH



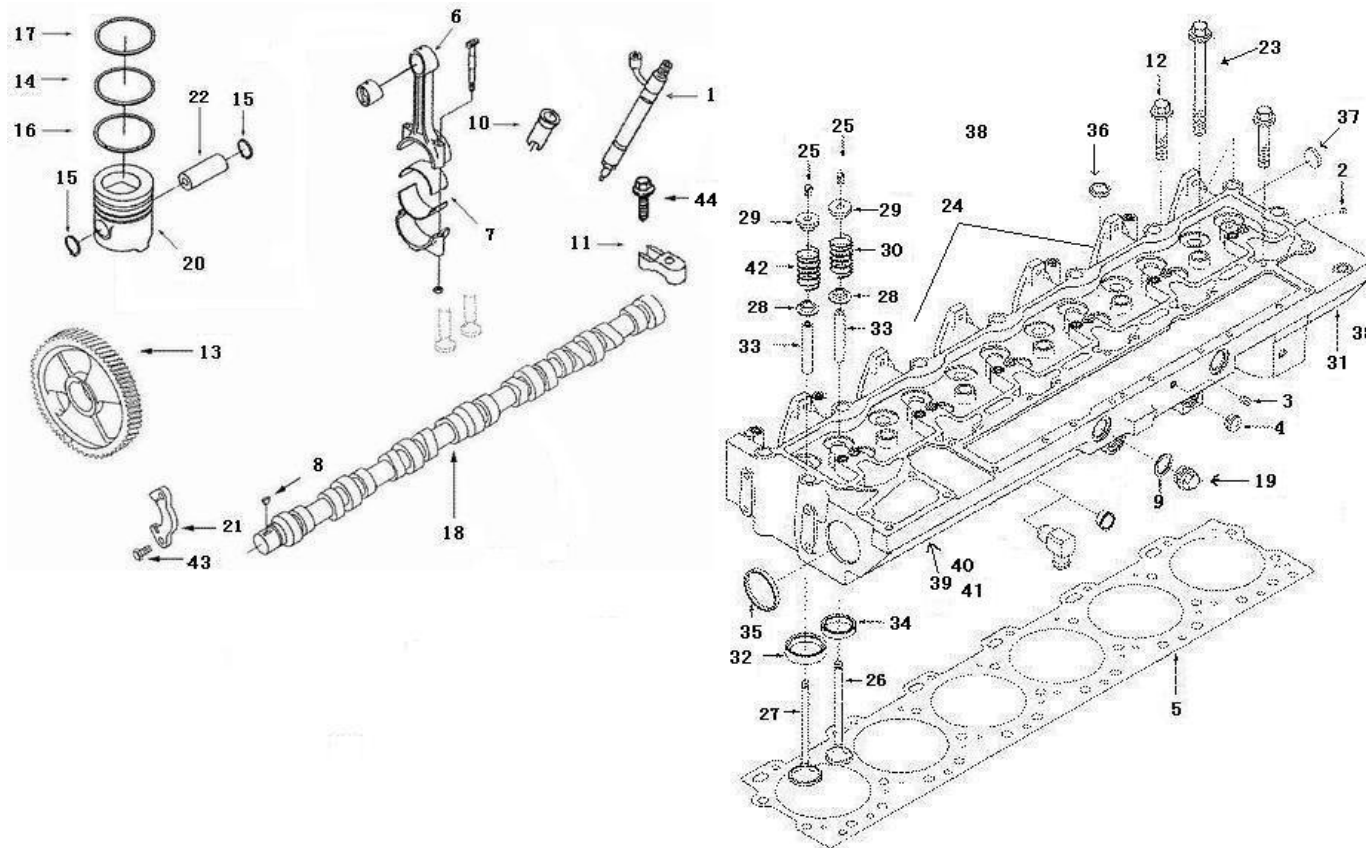
发动机系统 / ENGINE SYSTEM

10-154

序号 No.	件号 Part No.	数量 Quantity	名称 Name	规格 Specification	适用产品 Products Applied	备注 Remark
29	C3912976	12	气阀弹簧座 Valve Spring Seat		C260 20	
30	C3916588	6	排气阀弹簧总成 Exhaust Valve Spring Assembly		C260 20	
31	C3936180	1	气缸盖带碗形塞总成 Cylinder Head W/Bowl Plug Assembly		C260 20	
32	3908830	6	气阀座 Valve Seat		C260 20	
33	3925863	12	气阀导管 Valve Duct		C260 20	
34	3928174	6	气阀座 Valve Seat		C260 20	
35	C3900965	2	碗形塞 Bowl Plug		C260 20	
36	C3914035	5	碗形塞 Bowl Plug		C260 20	
37	C3920443	1	碗形塞 Bowl Plug		C260 20	
38	C3936154	1	气缸盖 Cylinder Head		C260 20	
39	C3968118	1	气缸盖(半成品) Cylinder Head(Semi-Finished Product)		C260 20	
40	C3968118A	0	气缸盖 Cylinder Head		C260 20	
41	3936152	1	气缸盖 Cylinder Head		C260 20	
42	C3991085	6	进气阀弹簧 Intake Valve Spring		C260 20	

## 性能件组 (PP40303)/FUNCTIONAL PART SET(PP40303)

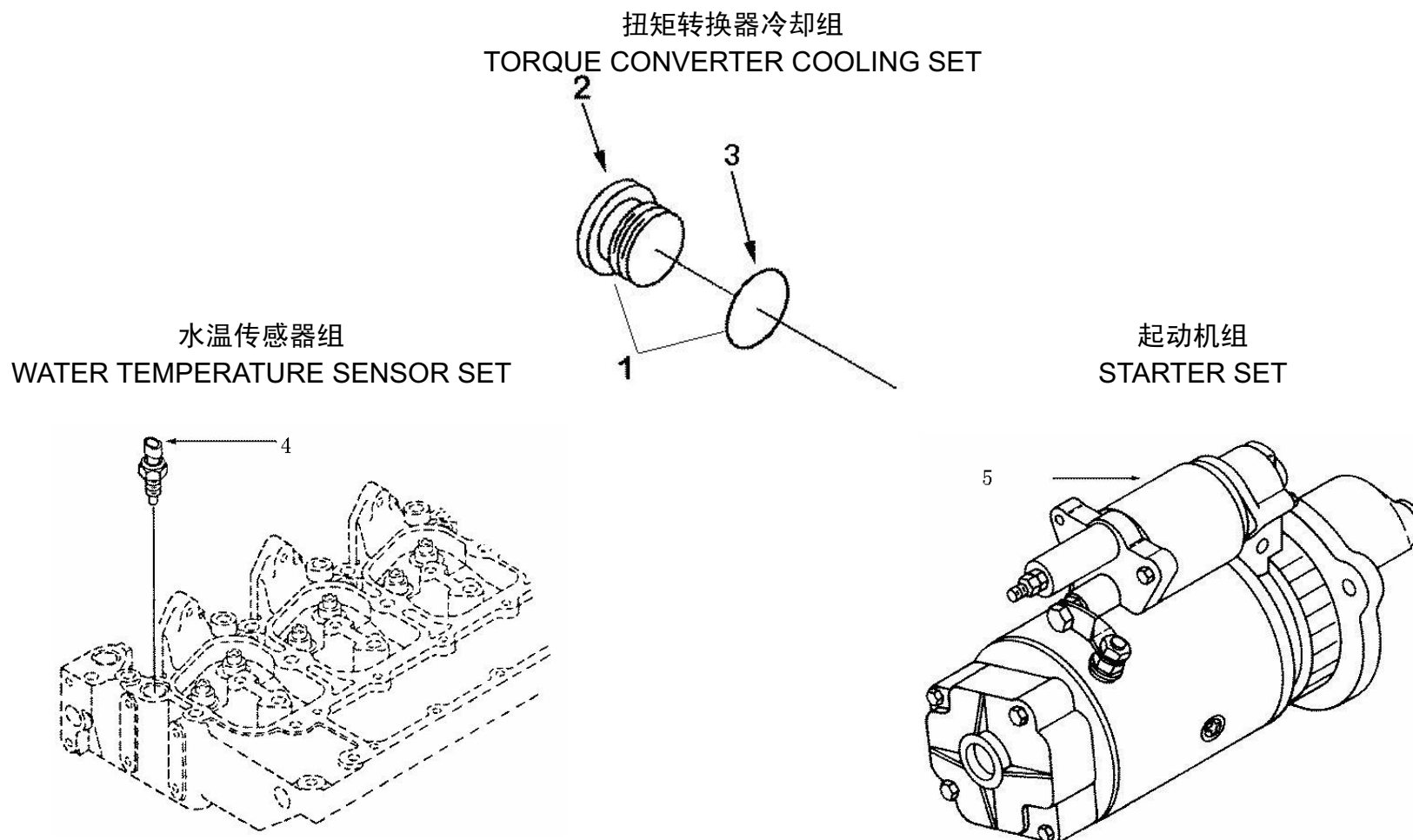
## 10-BH



序号 No.	件号 Part No.	数量 Quantity	名称 Name	规格 Specification	适用产品 Products Applied	备注 Remark
43	Q150B0822	2	六角头螺栓 Hexagon Head Bolt			
44	Q1840880	1	六角法兰面螺栓 Hexagon Bolt With Flange			

扭矩转换器冷却组 (TK 9022)、水温传感器组 (SD 9113)、起动机组 (ST9377)  
TORQUE CONVERTER COOLING SET(TK 9022),WATER TEMPERATURE  
SENSOR SET(SD 9113),STARTER SET(ST9377)

10-BI



发动机系统 / ENGINE SYSTEM

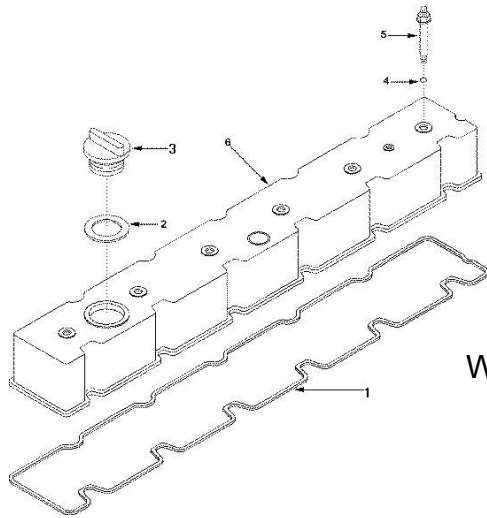
10-158

序号 No.	件号 Part No.	数量 Quantity	名称 Name	规格 Specification	适用产品 Products Applied	备注 Remark
1	C3089238	2	螺塞 Plug		C260 20、C325 20	
2	C3089239	1	内六角锥形螺塞 Hexagon Socket Tapered Screw Plug		C260 20、C325 20	
3	C3089240	1	O型密封圈 O-Seal Ring		C260 20、C325 20	
4	C3979176	1	水温传感器 Water Temperature Sensor		C260 20、C325 20、C230 20	
5	C3415538	1	起动机 Starter		C260 20	

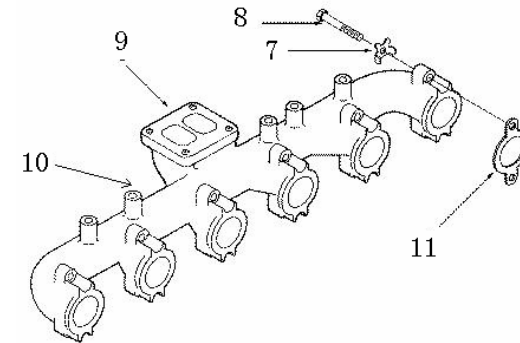
气阀室罩组 (VC 9221)、增压器布置组 (TB 9993)、进水连接管组 (WI 9145)  
 AIR VALVE CHEST COVER SET (VC 9221), SUPERCHARGER LAYOUT SET (TB 9993), WATER INLET CONNECTING PIPE SET (WI 9145)

**10-BJ**

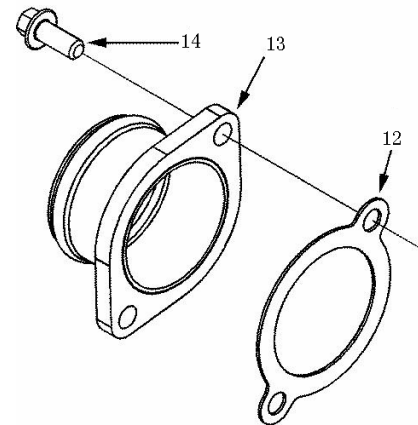
气阀室罩组  
AIR VALVE CHEST COVER SET



增压器布置组  
SUPERCHARGER LAYOUT SET



进水连接管组  
WATER INLET CONNECTING PIPE SET

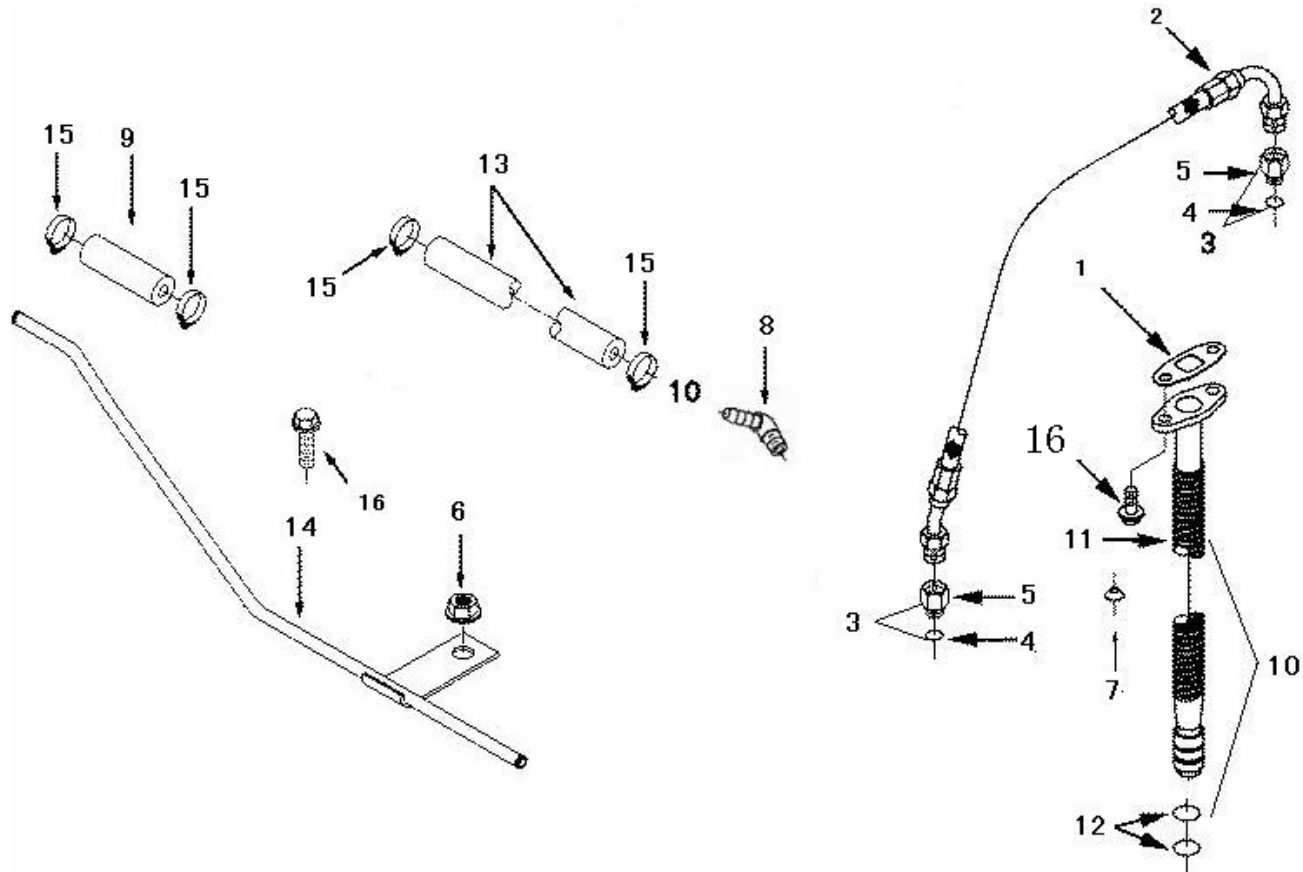


序号 No.	件号 Part No.	数量 Quantity	名称 Name	规格 Specification	适用产品 Products Applied	备注 Remark
1	3905449	1	气阀室盖密封垫 Air Chest Valve Cover Gasket		C260 20、C300 20、C325 20、C230 20	
2	C3902466	1	矩形密封圈 Rectangle Seal Ring		C260 20、C300 20、C325 20、C230 20	
3	C3902468	1	加机油口盖 Oil Filler Cap		C260 20、C300 20、C325 20、C230 20	
4	C3910824	6	O型密封圈 O-Seal Ring		C260 20、C300 20、C325 20、C230 20	
5	C3922639	6	六角法兰面螺栓 Hexagon Bolt With Flange		C260 20、C300 20、C325 20、C230 20	
6	C3930903	1	气阀室罩盖 Air Valve Chest Housing Cover		C260 20、C300 20、C325 20、C230 20	
7	C3914708	12	防松片 Locking Shim		C260 20、C300 20、C325 20、C230 20	
8	C3929537	12	六角头螺栓 Hexagon Head Bolt		C260 20、C300 20、C325 20、C230 20	
9	C3929779	1	排气歧管 Exhaust Manifold		C260 20、C300 20、C325 20、C230 20	
10	C3929779R	1	排气歧管 Exhaust Manifold		C260 20、C300 20、C325 20、C230 20	
11	C3932063	6	排气管垫 Exhaust Pipe Gasket		C260 20、C300 20、C325 20、C230 20	
12	C3415658	1	密封垫 Gasket		C260 20、C300 20、C325 20、C230 20	
13	C3944720	1	进水连接管 Water Inlet Connecting Pipe		C260 20、C325 20、C230 20、C230 20	
14	Q1840820	2	六角法兰面螺栓 Hexagon Bolt With Flange			



## 增压器管路组 (TP 97247)/SUPERCHARGER LINE SET(TP 97247)

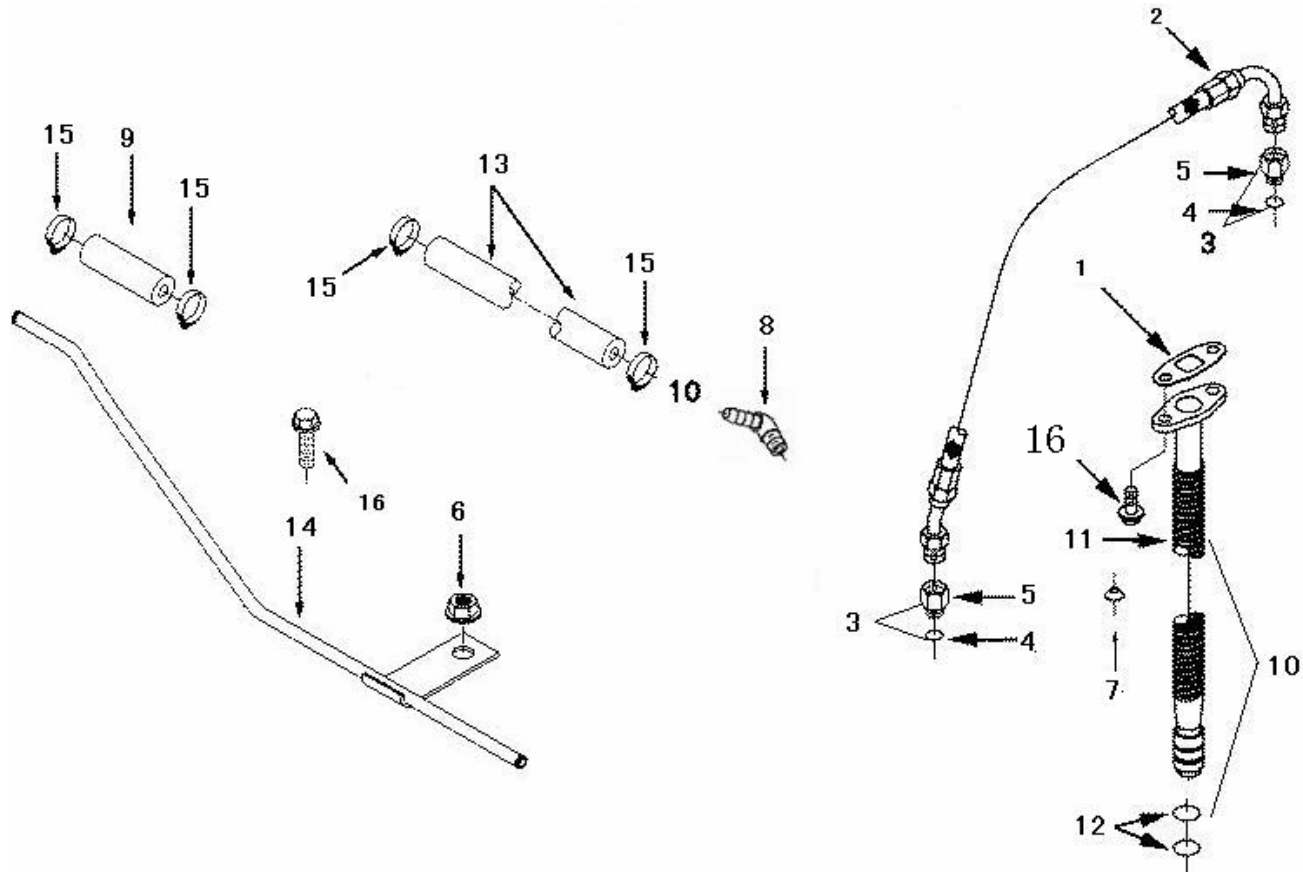
10-BK



序号 No.	件号 Part No.	数量 Quantity	名称 Name	规格 Specification	适用产品 Products Applied	备注 Remark
1	C3285747	1	增压器回油管密封垫 Supercharger Oil Return Pipe Gasket		C260 20、C300 20、C230 20	
2	C3415317	1	组合软管 Combination Hose		C260 20、C300 20、C230 20	
3	C3415347	2	内螺纹接头总成 Internal Thread Connector Assembly		C260 20、C300 20、C230 20	
4	C3037236	1	O 型密封圈 O-Seal Ring		C260 20、C300 20、C230 20	
5	C3415328	1	内螺纹接头 Internal Thread Connector		C260 20、C300 20、C230 20	
6	C3900589	1	六角法兰面螺母 Hexagon Flange With Nut		C260 20、C300 20、C230 20	
7	C3924389	2	密封垫圈 Seal Washer		C260 20、C300 20、C230 20	
8	C3927317	1	弯管接头 Elbow Joint		C260 20、C300 20、C230 20	
9	C3928531	1	直软管 Straight Hose		C260 20、C300 20、C230 20	
10	C3928629	1	增压器回油管 Supercharger Oil Return Pipe		C260 20、C300 20、C230 20	
11	C3926842	1	增压器回油管 Supercharger Oil Return Pipe		C260 20、C300 20、C230 20	
12	C3928624	2	O 型密封圈 O-Seal Ring		C260 20、C300 20、C230 20	
13	C3975963	1	弯软管 Elbow Hose		C260 20、C300 20、C230 20	
14	C3975964	1	增压补偿器连接管 Supercharge Boost Compensator Connecting Pipe		C260 20、C300 20、C230 20	

## 增压器管路组 (TP 97247)/SUPERCHARGER LINE SET(TP 97247)

10-BK

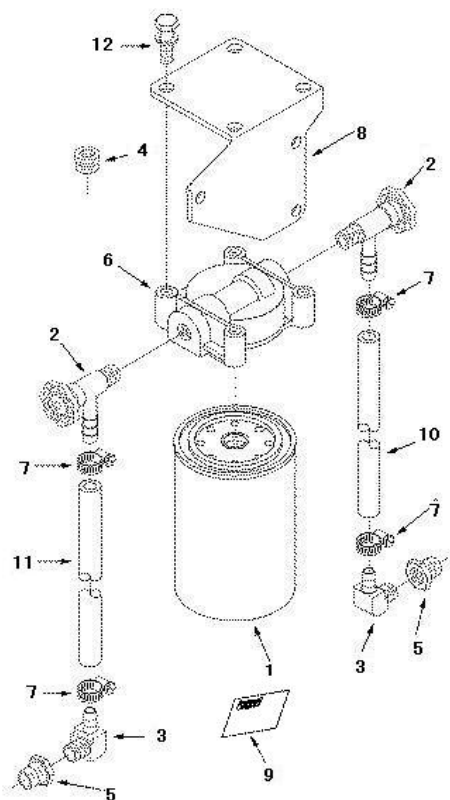


序号 No.	件号 Part No.	数量 Quantity	名称 Name	规格 Specification	适用产品 Products Applied	备注 Remark
15	D3920719	4	卡箍 Retaining Ring		C260 20、C300 20、C230 20	
16	Q1840820	2	六角法兰面螺栓 Hexagon Bolt With Flange		C260 20、C300 20、C230 20	
	Q1840625-0H1-J1	2	六角法兰面螺栓 Hexagon Bolt With Flange			随机散件 Spare Parts With Set
	Q1840630-0H1-J1	1	六角法兰面螺栓 Hexagon Bolt With Flange			随机散件 Spare Parts With Set

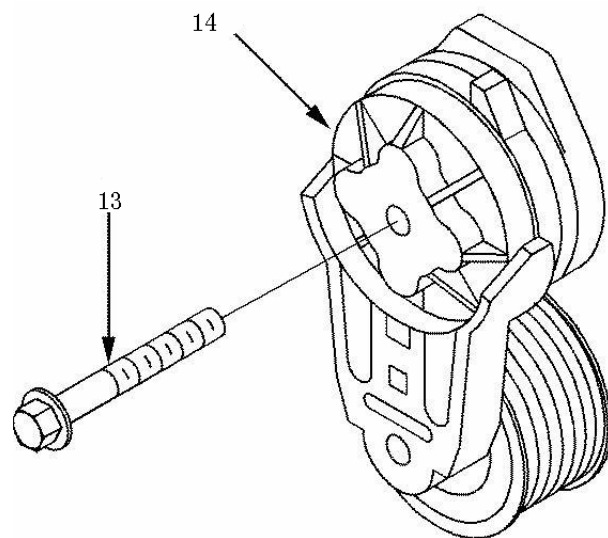
水滤清器组 (WF 9094)、皮带张紧轮组 (WP 9916)、水泵组 (WP 9918)  
 WATER FILTER SET(WF 9094),BELT TENSIONER PULLEY SET(WP 9916),WATER  
 PUMP SET(WP 9918)

**10-BL**

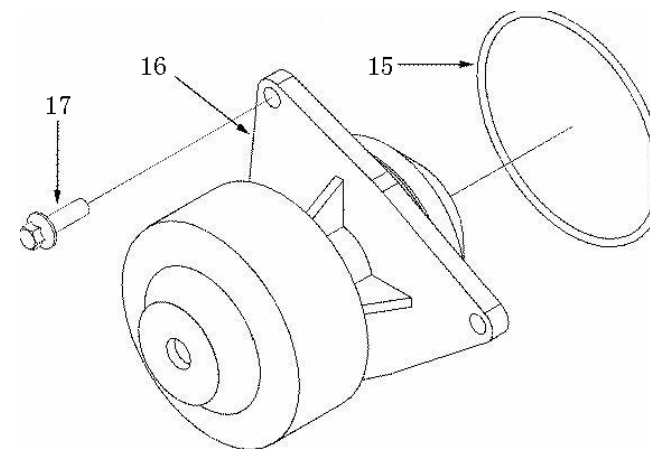
水滤清器组  
 WATER FILTER SET



皮带张紧轮组  
 BELT TENSIONER PULLEY SET



水泵组  
 WATER PUMP SET

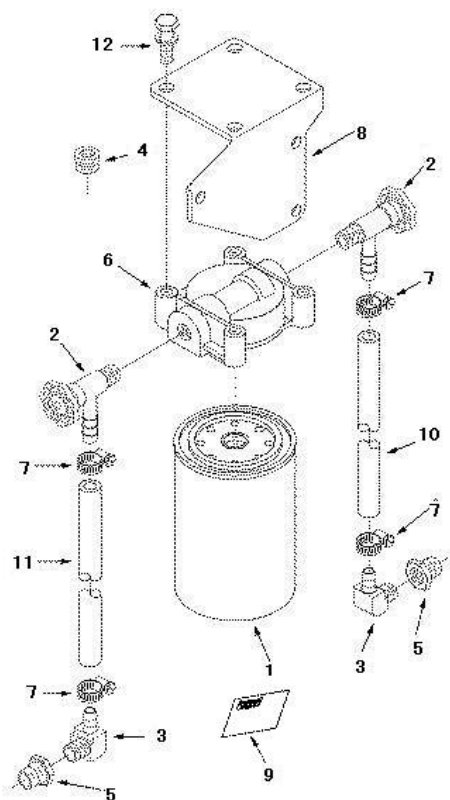


序号 No.	件号 Part No.	数量 Quantity	名称 Name	规格 Specification	适用产品 Products Applied	备注 Remark
1	4058964	1	防锈器 Rust Protector		C260 20、C230 20	
2	C179901	2	开关阀 Switching Valve		C260 20、C230 20	
3	C179903	2	弯管接头 Elbow Joint		C260 20、C230 20	
4	C3008469	2	内六角锥形螺塞 Hexagon Socket Tapered Screw Plug		C260 20、C230 20	
5	C3415608	2	异径管套 Different Diameter Pipe Sleeve		C260 20、C230 20	
6	C3415680	1	防锈器座 Rust Protector Seat		C260 20、C230 20	
7	C3910509	4	软管卡箍 Hose Retaining Ring		C260 20、C230 20	
8	C3966481	1	防锈器支架 Rust Protector Bracket		C260 20、C230 20	
9	C3973898	1	水滤开关警示牌 Water Filter Switch Alarm Plate		C260 20、C230 20	
10	C3975596	1	直软管 Straight Hose		C260 20、C230 20	
11	C3975597	1	直软管 Straight Hose		C260 20、C230 20	
12	Q1841030	4	六角法兰面螺栓 Hexagon Bolt With Flange			
13	C3282433	1	六角法兰面螺栓 Hexagon Bolt With Flange		C260 20、C230 20	
14	C3936213	1	皮带张紧轮 Belt Tensioner Pulley		C260 20、C230 20	

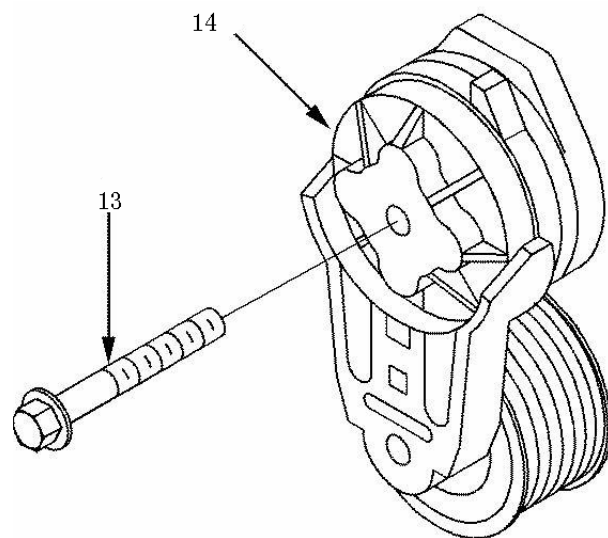
水滤清器组 (WF 9094)、皮带张紧轮组 (WP 9916)、水泵组 (WP 9918)  
 WATER FILTER SET(WF 9094),BELT TENSIONER PULLEY SET(WP 9916),WATER  
 PUMP SET(WP 9918)

**10-BL**

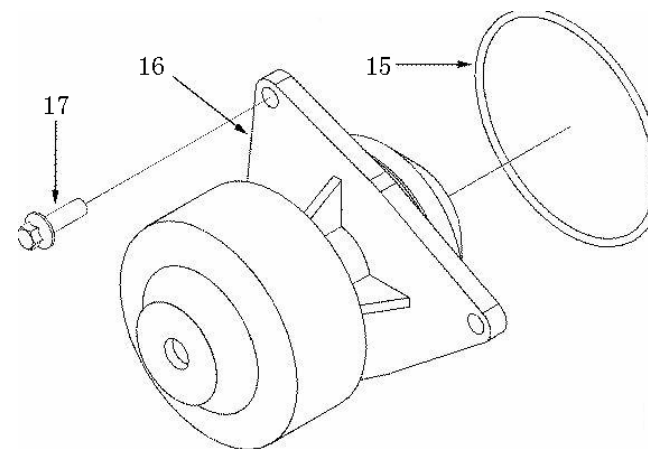
水滤清器组  
 WATER FILTER SET



皮带张紧轮组  
 BELT TENSIONER PULLEY SET



水泵组  
 WATER PUMP SET



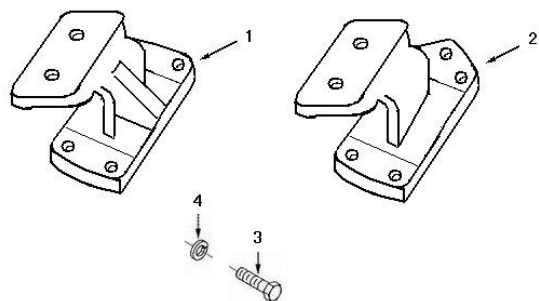
序号 No.	件号 Part No.	数量 Quantity	名称 Name	规格 Specification	适用产品 Products Applied	备注 Remark
15	C3940386	1	O型密封圈 O-Seal Ring		C260 20、C300 20、C325 20、C230 20	
16	C3966841	1	水泵 Water Pump		C260 20、C300 20、C325 20、C230 20	
17	Q1840828	3	六角法兰面螺栓 Hexagon Bolt With Flange			
	C3979372	1	发电机 Generator			随机散件 Spare Parts With Set



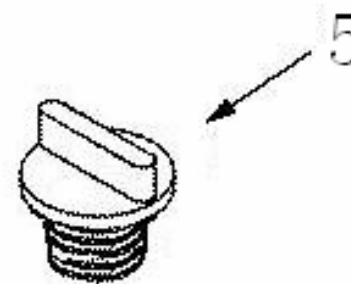
发动机前悬置支架组 (EM 9223)、传感器组 (EO 9135)、标签组 (LB 9085)、标签组 (LB 9094)/ENGINE FRONT MOUNTING BRACKET SET(EM 9223),SENSOR SET (EO 9135),LABEL SET(LB 9085),LABEL SET(LB 9094)

**10-BM**

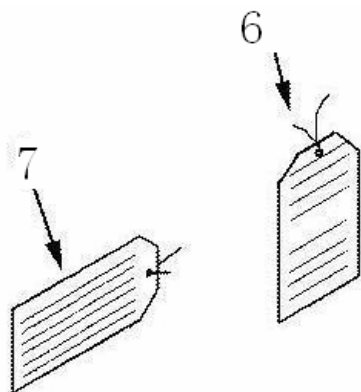
EM 9223



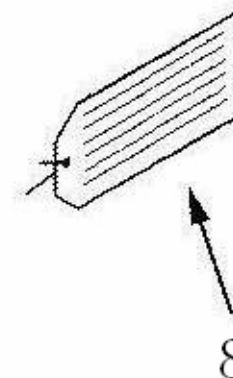
EO 9135



LB 9085



LB 9094



发动机系统 / ENGINE SYSTEM

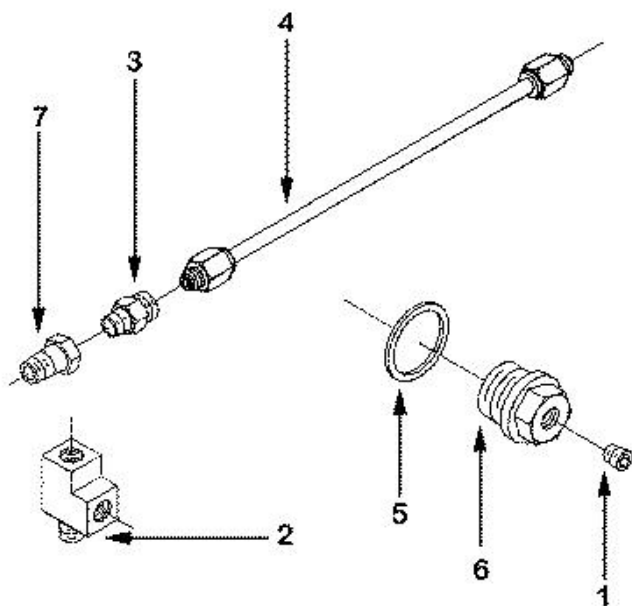
10-170

序号 No.	件号 Part No.	数量 Quantity	名称 Name	规格 Specification	适用产品 Products Applied	备注 Remark
1	10Z66-01013	1	发动机前悬置左支架 Engine Front Mounting Bracket LH			
2	10Z66-01014	1	发动机前悬置右支架 Engine Front Mounting Bracket RH			
3	Q150B1232	8	六角头螺栓 Hexagon Head Bolt			
4	Q40312	8	弹簧垫圈 Spring Washer			
5	C3415478	1	塑料堵头 Plastic Blanking Plug		C300 20、C325 20、L345 20	
6	C3415381	1	标签 Label		C300 20、C325 20、C230 20	
7	C3415461	1	标签 Label		C300 20、C325 20、C230 20	
8	C3415403	1	标签 - 润滑油使用要求 Label-Lubricant Service Requirement		C300 20、C325 20、C230 20	

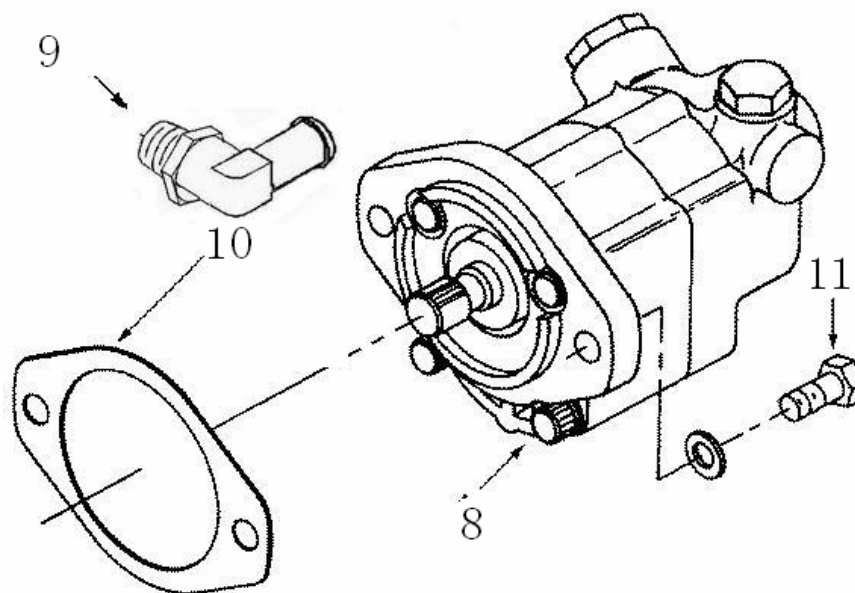
增压补偿器连接管组 (EM 9223)、液力转向泵组 (HD 9131)  
SUPERCHARGE BOOST COMPENSATOR CONNECTING PIPE SET(EM 9223),  
HYDRAULIC POWER STEERING PUMP SET(HD 9131)

**10-BN**

EM 9223



HD 9131



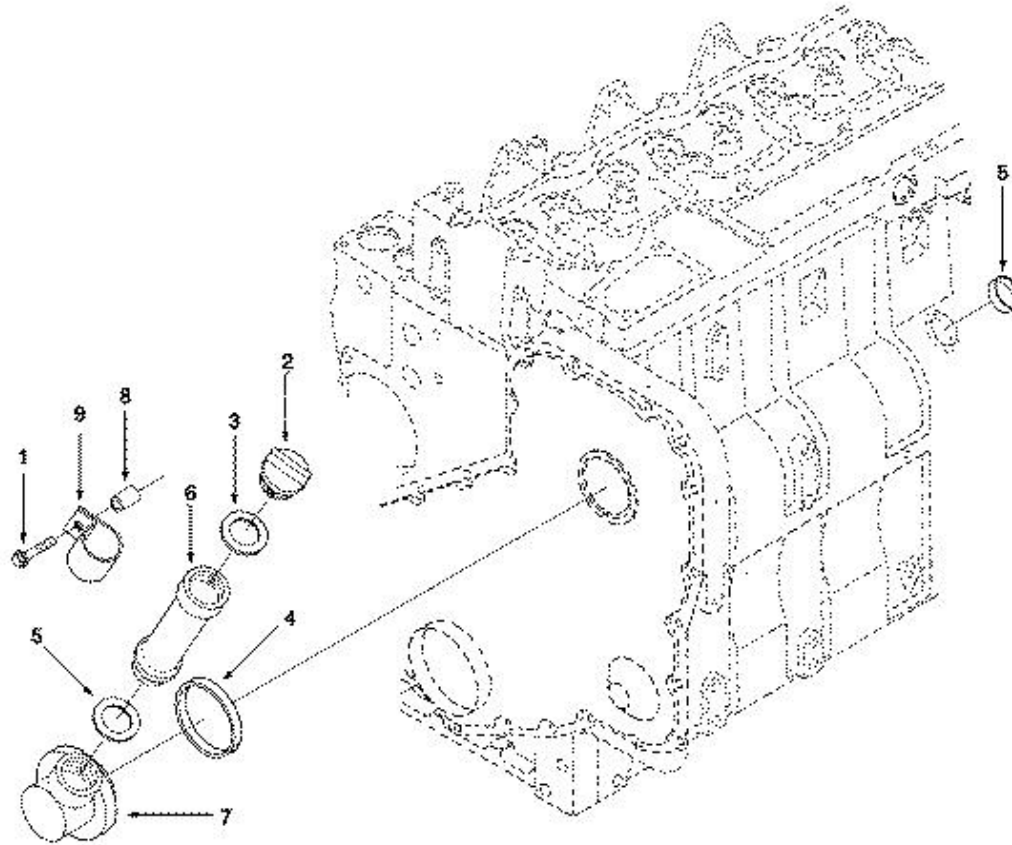
发动机系统 / ENGINE SYSTEM

10-172

序号 No.	件号 Part No.	数量 Quantity	名称 Name	规格 Specification	适用产品 Products Applied	备注 Remark
1	C3008465	2	内六角锥型螺塞 Hexagon Socket Tapered Screw Plug		C300 20	
2	C3282406	1	T形管接头 T-Tube Connector		C300 20	
3	C3415336	2	直通接头体 Straight Joint		C300 20	
4	C3415457	1	增压补偿器联结管 Supercharge Boost Compensator Connecting Pipe		C300 20	
5	C3902425	2	密封垫圈 Seal Washer		C300 20	
6	C3908110	2	螺塞 Plug		C300 20	
7	C3909557	1	异径管套 Different Diameter Pipe Sleeve		C300 20	
8	3406Z36-001	1	液力转向泵 Hydraulic Power Steering Pump		C300 20、C325 20	
9	34N-06025	1	弯管接头总成 Elbow Joint Assembly		C300 20、C325 20	
10	C154916	1	液压泵密封垫 Hydraulic Pump Gasket		C300 20、C325 20	
11	C3903464	2	六角法兰面螺栓 Hexagon Bolt With Flange		C300 20、C325 20	

## 缸体加油附件组 (OB 9378)/CYLINDER OIL FILLER ACCESSORY SET(OB 9378)

## 10-BO



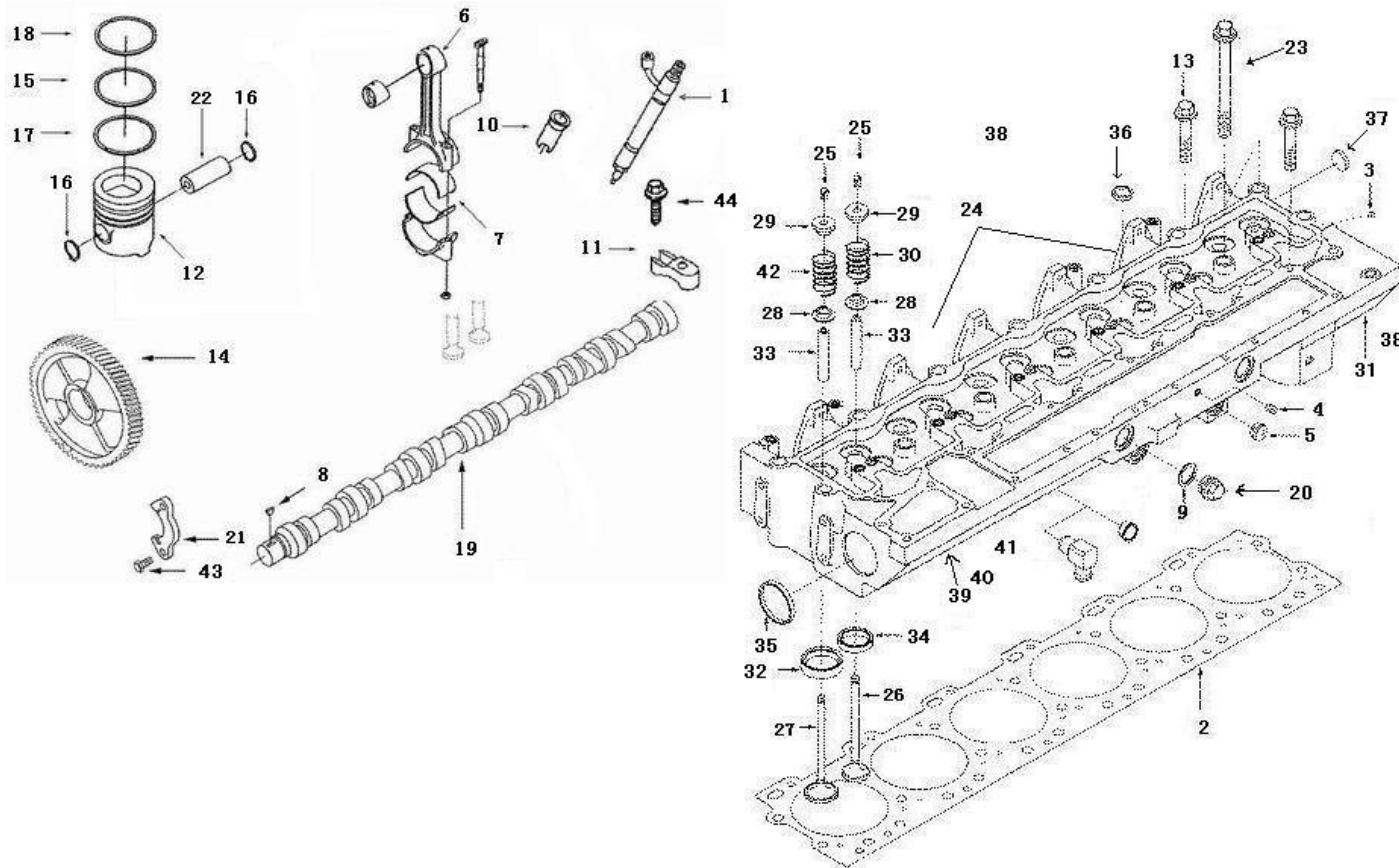
发动机系统 / ENGINE SYSTEM

10-174

序号 No.	件号 Part No.	数量 Quantity	名称 Name	规格 Specification	适用产品 Products Applied	备注 Remark
1	A3900678	1	六角法兰面螺栓 Hexagon Bolt With Flange		C300 20、C325 20、C230 20	
2	C3901895	1	加机油口盖 Oil Filler Cap		C300 20、C325 20、C230 20	
3	C3902363	2	矩形密封圈 Rectangle Seal Ring		C300 20、C325 20、C230 20	
4	C3903475	1	矩形密封圈 Rectangle Seal Ring		C300 20、C325 20、C230 20	
5	C3905401	1	碗形塞 Bowl Plug		C300 20、C325 20、C230 20	
6	C3914738	1	加机油接管 Oil Filler Pipe		C300 20、C325 20、C230 20	
7	C3921644	1	加机油接管 Oil Filler Pipe		C300 20、C325 20、C230 20	
8	C62906 B	1	安装隔块 Mounting Block		C300 20、C325 20、C230 20	
9	C68189	1	夹子 Clamp		C300 20、C325 20、C230 20	

## 性能件组 (PP 40333)/FUNCTIONAL PART SET(PP 40333)

## 10-BP



发动机系统 / ENGINE SYSTEM

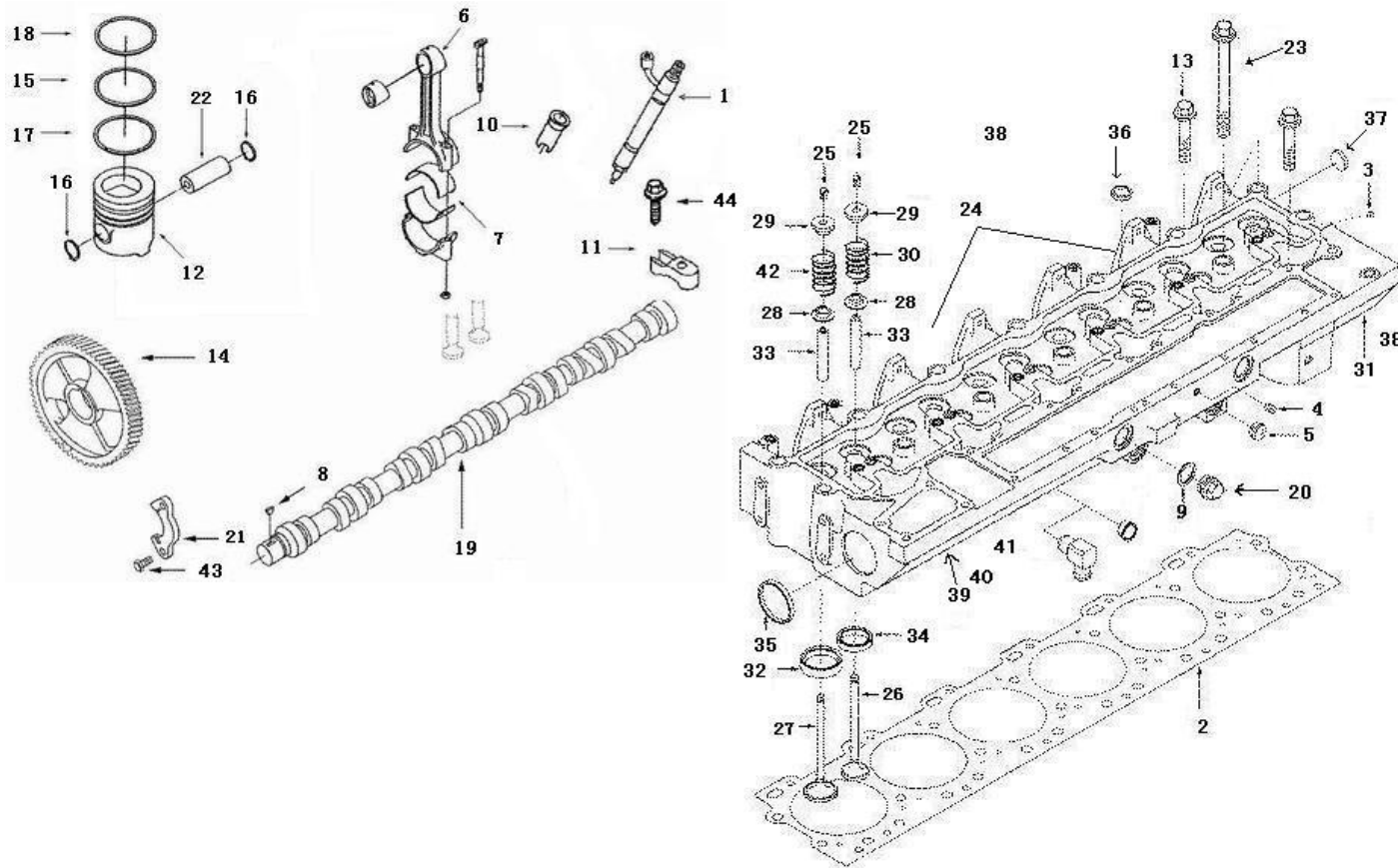
10-176

序号 No.	件号 Part No.	数量 Quantity	名称 Name	规格 Specification	适用产品 Products Applied	备注 Remark
1	3283160	6	喷油器 Injector		C300 20	
2	3938267	1	气缸盖密封垫 Cylinder Head Gasket		C300 20	
3	C3008464	1	内六角锥形螺塞 Hexagon Socket Tapered Screw Plug		C300 20	
4	C3008466	1	内六角锥形螺塞 Hexagon Socket Tapered Screw Plug		C300 20	
5	C3008468	1	内六角锥形螺塞 Hexagon Socket Tapered Screw Plug		C300 20	
6	C3901383	6	连杆 Connecting Rod		C300 20	
7	C3901430	12	连杆瓦 Connecting Rod Bearing Shell		C300 20	
8	C3902332	1	半圆键 Semicircular Key		C300 20	
9	C3902425	2	密封垫圈 Seal Washer		C300 20	
10	C3909886	6	喷油器密封套 Injector Seal Sleeve		C300 20	
11	C3910279	6	喷油器压板 Injector Pressure Plate		C300 20	
12	C3917707	6	活塞 Piston		C300 20	
13	C3917729	12	六角法兰面螺栓 Hexagon Bolt With Flange		C300 20	
14	C3918777	1	凸轮轴齿轮 Camshaft Gear		C300 20	



## 性能件组 (PP 40333)/FUNCTIONAL PART SET(PP 40333)

## 10-BP



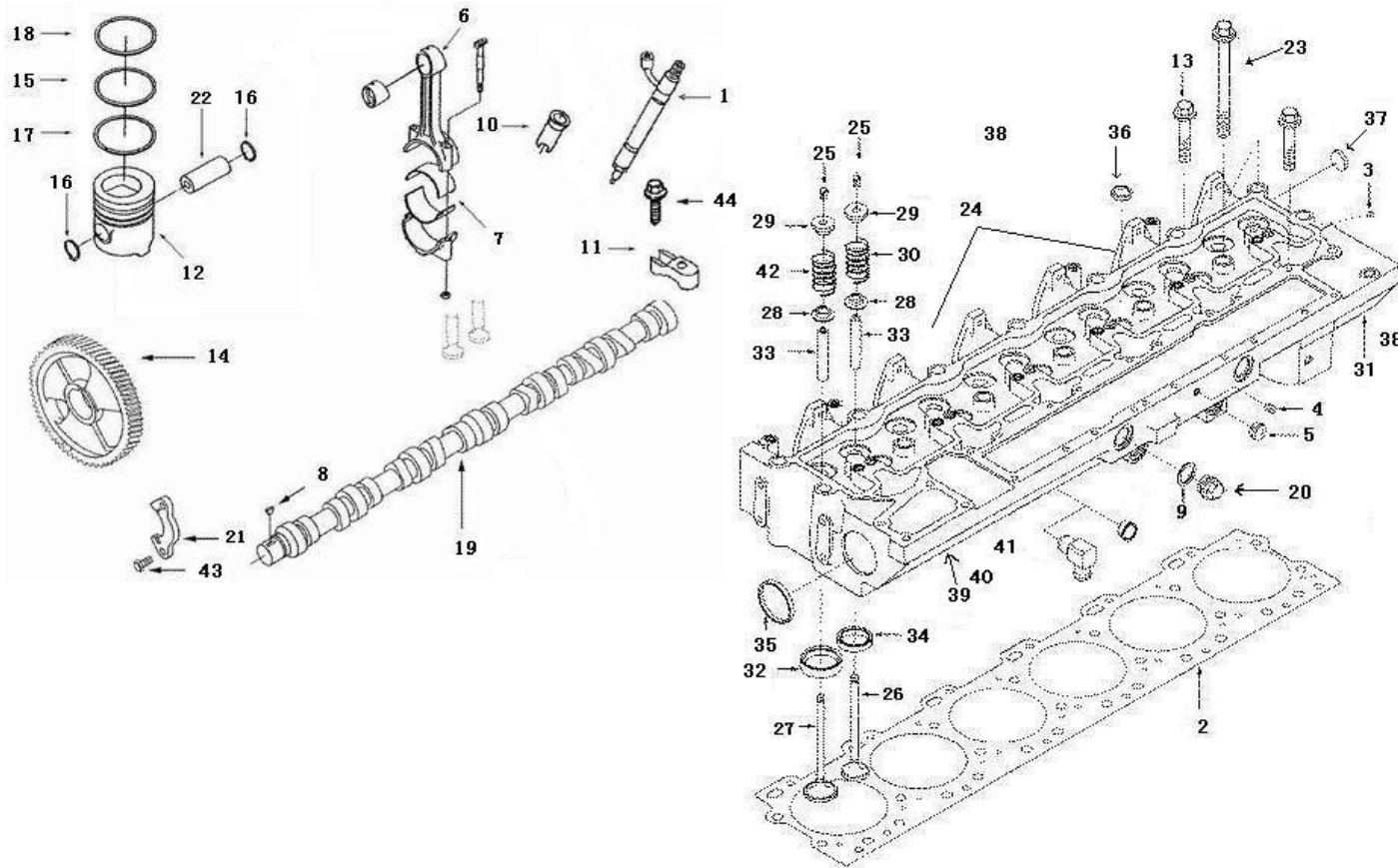
发动机系统 / ENGINE SYSTEM

10-178

序号 No.	件号 Part No.	数量 Quantity	名称 Name	规格 Specification	适用产品 Products Applied	备注 Remark
15	C3919918	6	中压缩环 Middle Compression Ring		C300 20	
16	C3920692	12	挡圈 Retainer Ring		C300 20	
17	C3921919	6	油环 Oil Ring		C300 20	
18	C3922686	6	上压缩环 Upper Compression Ring		C300 20	
19	C3923478	1	凸轮轴 Camshaft		C300 20	
20	C3924148	2	螺塞 Plug		C300 20	
21	C3927155	1	凸轮轴止推片 Camshaft Thrust Plate		C300 20	
22	C3934046	6	活塞销 Piston Pin		C300 20	
23	C3960043	14	六角法兰面螺栓 Hexagon Bolt With Flange		C300 20	
24	C4931026	1	气缸盖组合件 Cylinder Head Set		C300 20	
25	3901177	24	气门锁块 Valve Lock Piece		C300 20	
26	3921444	6	排气阀 Exhaust Valve		C300 20	
27	3924492	6	进气阀 Intake Valve		C300 20	
28	3927642	12	气阀杆油封 Valve Stem Oil Seal		C300 20	

## 性能件组 (PP 40333)/FUNCTIONAL PART SET(PP 40333)

## 10-BP



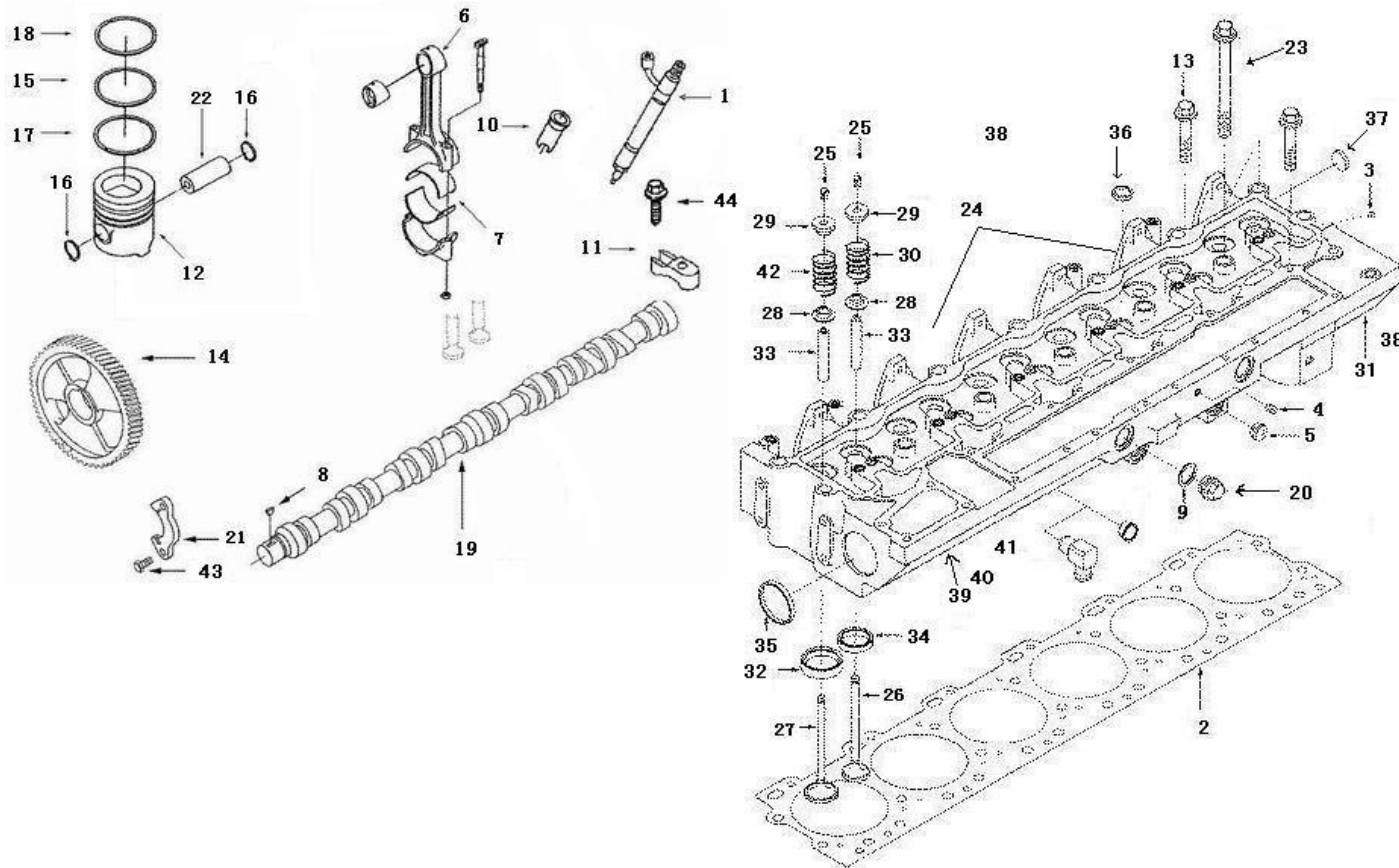
发动机系统 / ENGINE SYSTEM

10-180

序号 No.	件号 Part No.	数量 Quantity	名称 Name	规格 Specification	适用产品 Products Applied	备注 Remark
29	C3912976	12	气阀弹簧座 Valve Spring Seat		C300 20	
30	C3916588	6	排气阀弹簧总成 Exhaust Valve Spring Assembly		C300 20	
31	C3936180	1	气缸盖带碗形塞总成 Cylinder Head Assembly W/Bowl Plug		C300 20	
32	3908830	6	气阀座 Valve Seat		C300 20	
33	3925863	12	气阀导管 Valve Duct		C300 20	
34	3928174	6	气阀座 Valve Seat		C300 20	
35	C3900965	2	碗形塞 Bowl Plug		C300 20	
36	C3914035	5	碗形塞 Bowl Plug		C300 20	
37	C3920443	1	碗形塞 Bowl Plug		C300 20	
38	C3936154	1	气缸盖 Cylinder Head		C300 20	
39	C3968118	1	气缸盖(半成品) Cylinder Head(Semi-Finished Product)		C300 20	
40	C3968118A	1	气缸盖 Cylinder Head		C300 20	
41	3936152	1	气缸盖 Cylinder Head		C300 20	
42	C3991085	6	进气阀弹簧 Intake Valve Spring		C300 20	

## 性能件组 (PP 40333)/FUNCTIONAL PART SET(PP 40333)

## 10-BP



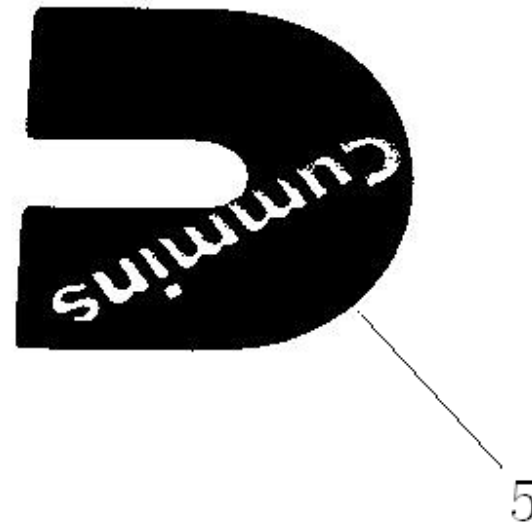
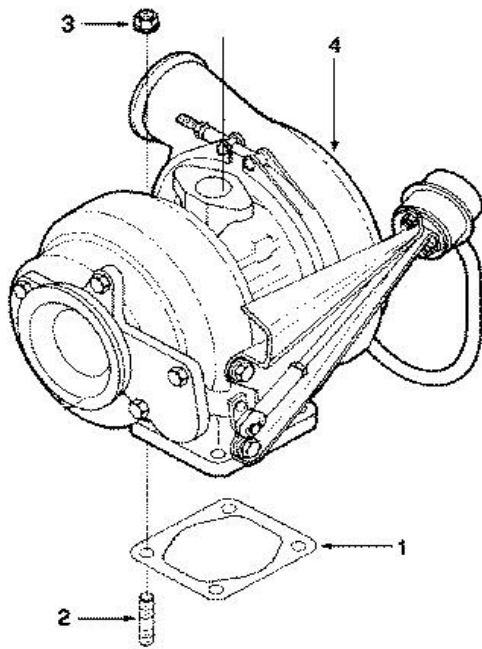
序号 No.	件号 Part No.	数量 Quantity	名称 Name	规格 Specification	适用产品 Products Applied	备注 Remark
43	Q150B0822	2	六角头螺栓 Hexagon Head Bolt		C300 20	
44	Q1840880	6	六角法兰面螺栓 Hexagon Bolt With Flange		C300 20	

增压器组 (PP 98484)、参数牌 (SS 9455)  
SUPERCHARGER SET (PP 98484), PARAMETER PLATE (SS 9455)

10-BQ

PP98484

SS 9455



发动机系统 / ENGINE SYSTEM

10-184

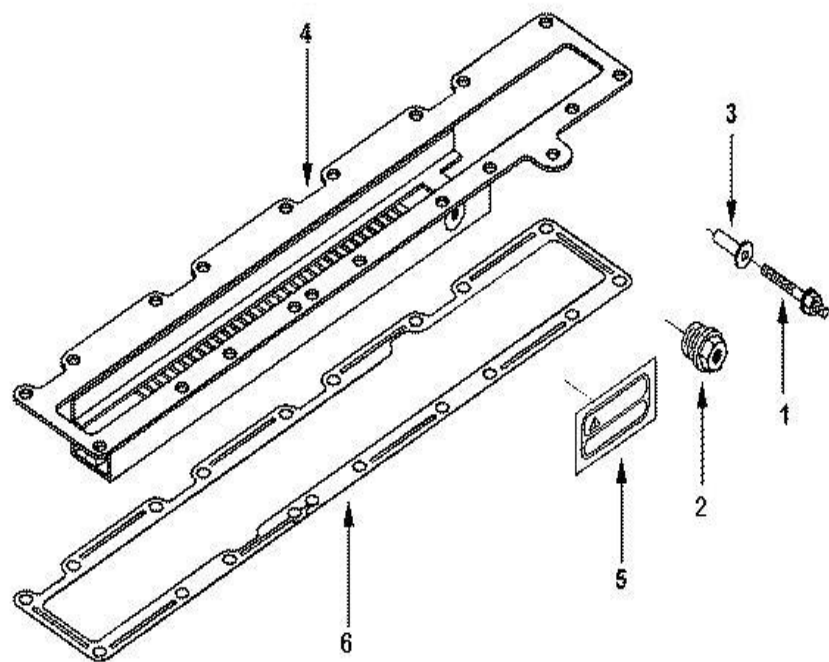
序号 No.	件号 Part No.	数量 Quantity	名称 Name	规格 Specification	适用产品 Products Applied	备注 Remark
1	C3755843	1	增压器密封垫 Supercharger Gasket		C300 20	
2	C3818823	4	双头螺栓 Stud Bolt		C300 20	
3	C3818824	4	六角法兰面螺母 Hexagon Nut With Flange		C300 20	
4	C4050206	1	增压器 Supercharger		C300 20	
5	C3911314	1	参数牌 Parameter Plate		C300 20、C325 20、L345 20、C230 20	



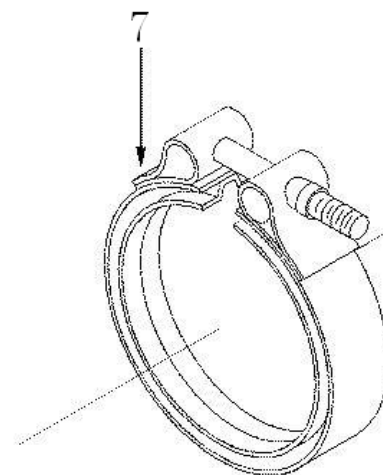
进气预热组 (AH 9141)、增压器排气连接件组 (XS 9258)/INTAKE PREHEATING SET(AH 9141), SUPERCHARGER EXHAUST CONNECTING PART SET(XS 9258)

10-BR

进气预热组  
INTAKE PREHEATING SET



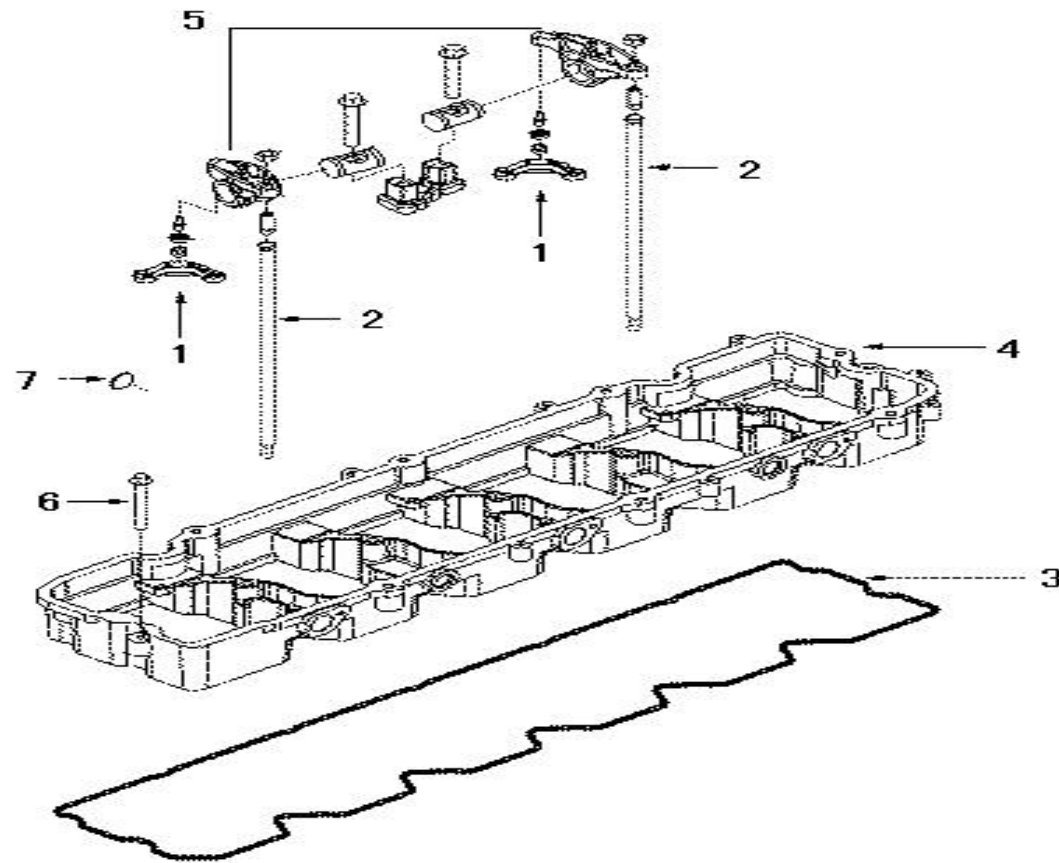
增压器排气连接件组  
SUPERCHARGER EXHAUST CONNECTING PART SET



序号 No.	件号 Part No.	数量 Quantity	名称 Name	规格 Specification	适用产品 Products Applied	备注 Remark
1	3930320	1	六角法兰面螺栓 Hexagon Bolt With Flange		L345 20、C325 20、C230 20	
2	C3908110	1	螺塞 Plug		L345 20、C325 20、C230 20	
3	C3930319	1	绝缘隔块 Insulation Block		L345 20、C325 20、C230 20	
4	C3932087	1	进气预热器 Intake Preheater		L345 20、C325 20、C230 20	
5	C3969089	1	标签 Label		L345 20、C325 20、C230 20	
6	D3936993	1	进气管盖密封垫 Intake Pipe Cover Gasket		L345 20、C325 20、C230 20	
7	C3415546	1	V形卡箍 V- Retaining Ring		L345 20、C325 20、C230 20	

## 摇臂组 (RL 9774)/ROCKER ARM SET(RL 9774)

10-BS



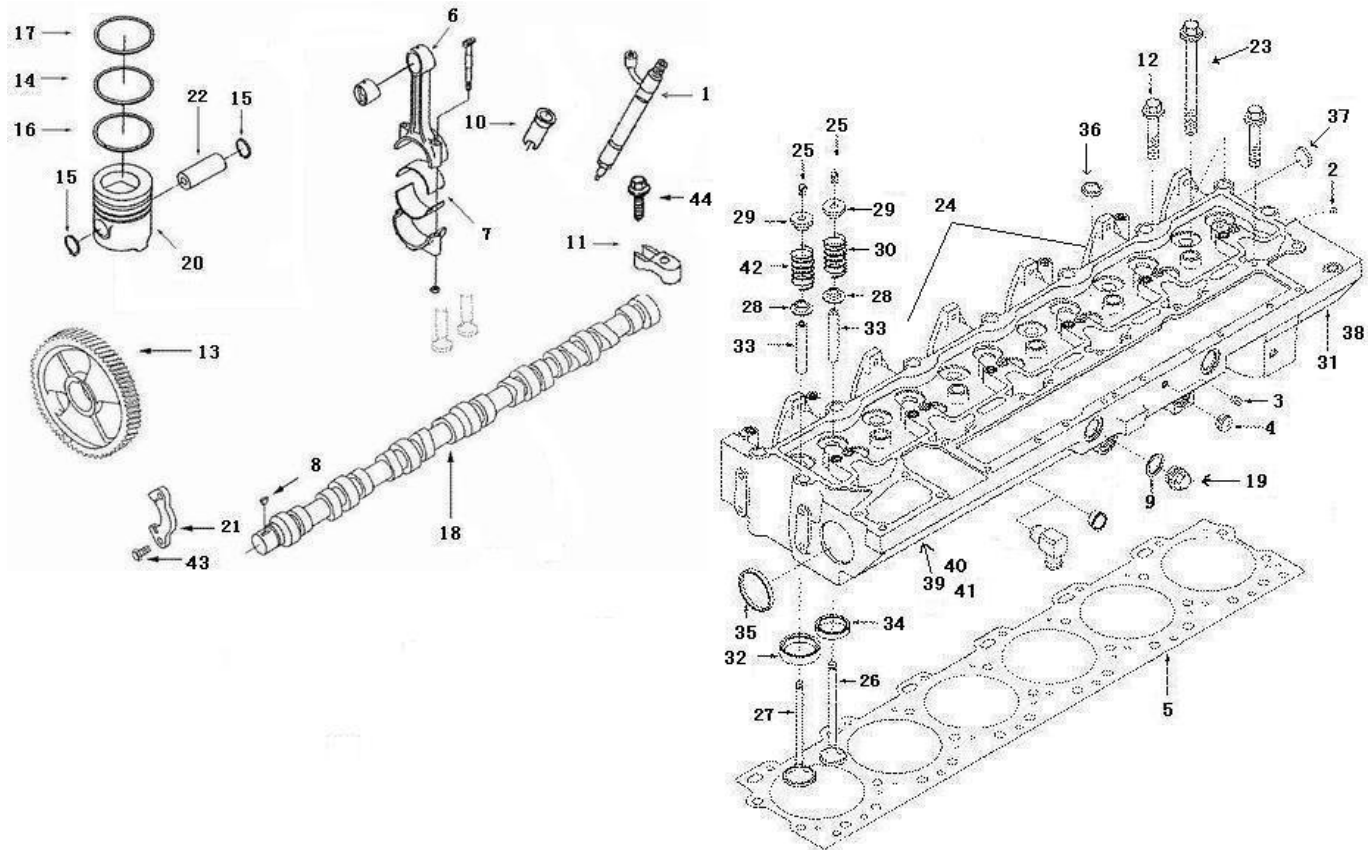
发动机系统 /ENGINE SYSTEM

10-188

序号 No.	件号 Part No.	数量 Quantity	名称 Name	规格 Specification	适用产品 Products Applied	备注 Remark
1	3943445	12	气阀摇臂桥 Valve Rocker Arm Shaft		L345 20	
2	3964715	12	推杆 Push Rod		L345 20	
3	3966708	1	调整垫 Adjusting Shim		L345 20	
4	3967265	1	摇臂室 Rocker Arm Case		L345 20	
5	3972540	6	摇臂总成 Rocker Arm Assembly		L345 20	
6	C3901447	5	六角法兰面螺栓 Hexagon Bolt With Flange		L345 20	
7	C3920706	3	碗形塞 Bowl Plug		L345 20	

## 性能件组 (PP40311)/FUNCTIONAL PART SET(PP40311)

## 10-BT



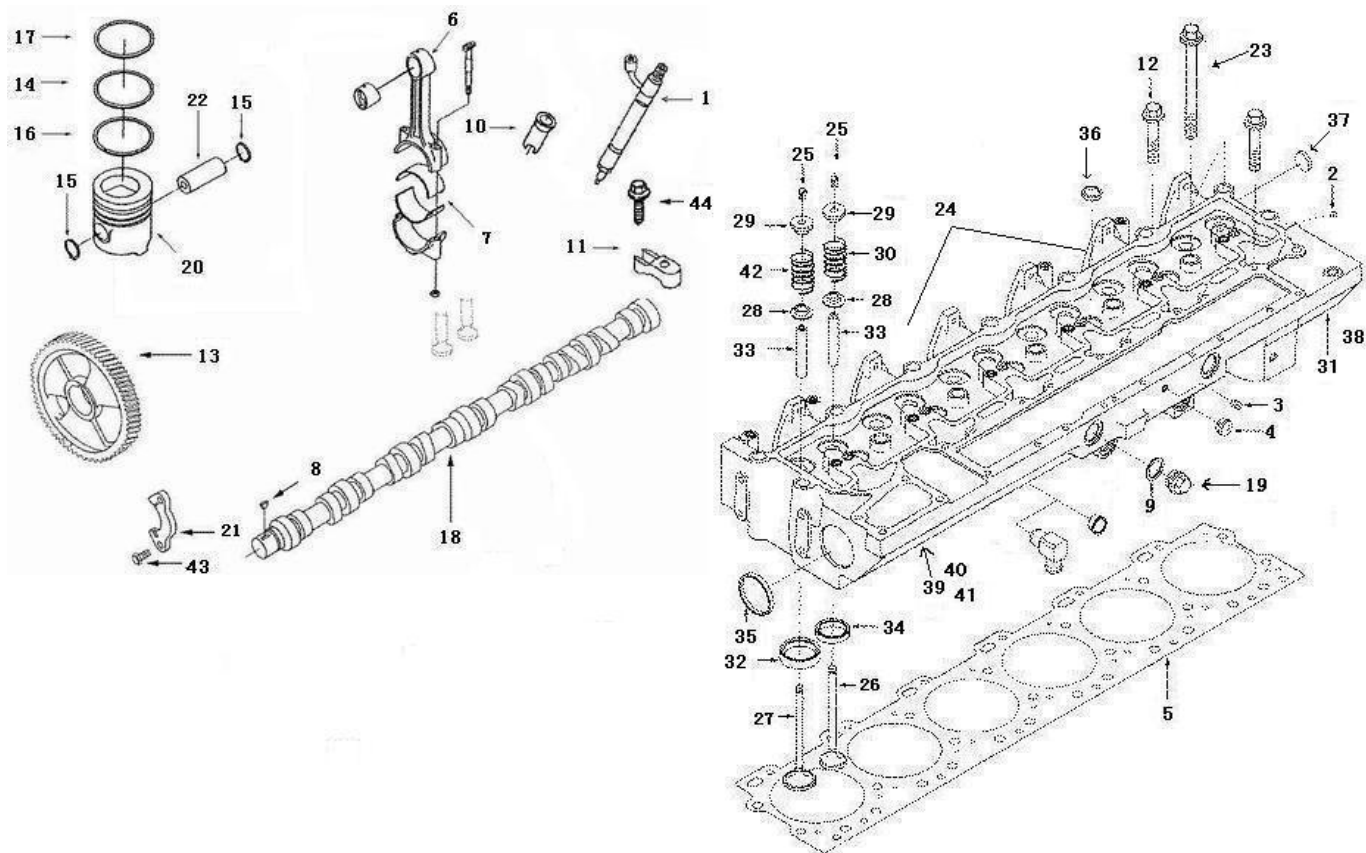
发动机系统 / ENGINE SYSTEM

10-190

序号 No.	件号 Part No.	数量 Quantity	名称 Name	规格 Specification	适用产品 Products Applied	备注 Remark
1	3928384	6	喷油器 Injector		C230 20	
2	C3008464	1	内六角锥形螺塞 Hexagon Socket Tapered Screw Plug		C230 20	
3	C3008466	1	内六角锥形螺塞 Hexagon Socket Tapered Screw Plug		C230 20	
4	C3008468	1	内六角锥形螺塞 Hexagon Socket Tapered Screw Plug		C230 20	
5	C3415501	1	气缸盖密封垫 Cylinder Head Gasket		C230 20	
6	C3901383	6	连杆 Connecting Rod		C230 20	
7	C3901430	12	连杆瓦 Connecting Rod Bearing Shell		C230 20	
8	C3902332	1	半圆键 Semicircular Key		C230 20	
9	C3902425	2	密封垫圈 Seal Washer		C230 20	
10	C3909886	6	喷油器密封套 Injector Seal Sleeve		C230 20	
11	C3910279	6	喷油器压板 Injector Pressure Plate		C230 20	
12	C3917729	12	六角法兰面螺栓 Hexagon Bolt With Flange		C230 20	
13	C3918777	1	凸轮轴齿轮 Camshaft Gear		C230 20	
14	C3919918	6	中压缩环 Middle Compression Ring		C230 20	

## 性能件组 (PP40311)/FUNCTIONAL PART SET(PP40311)

## 10-BT

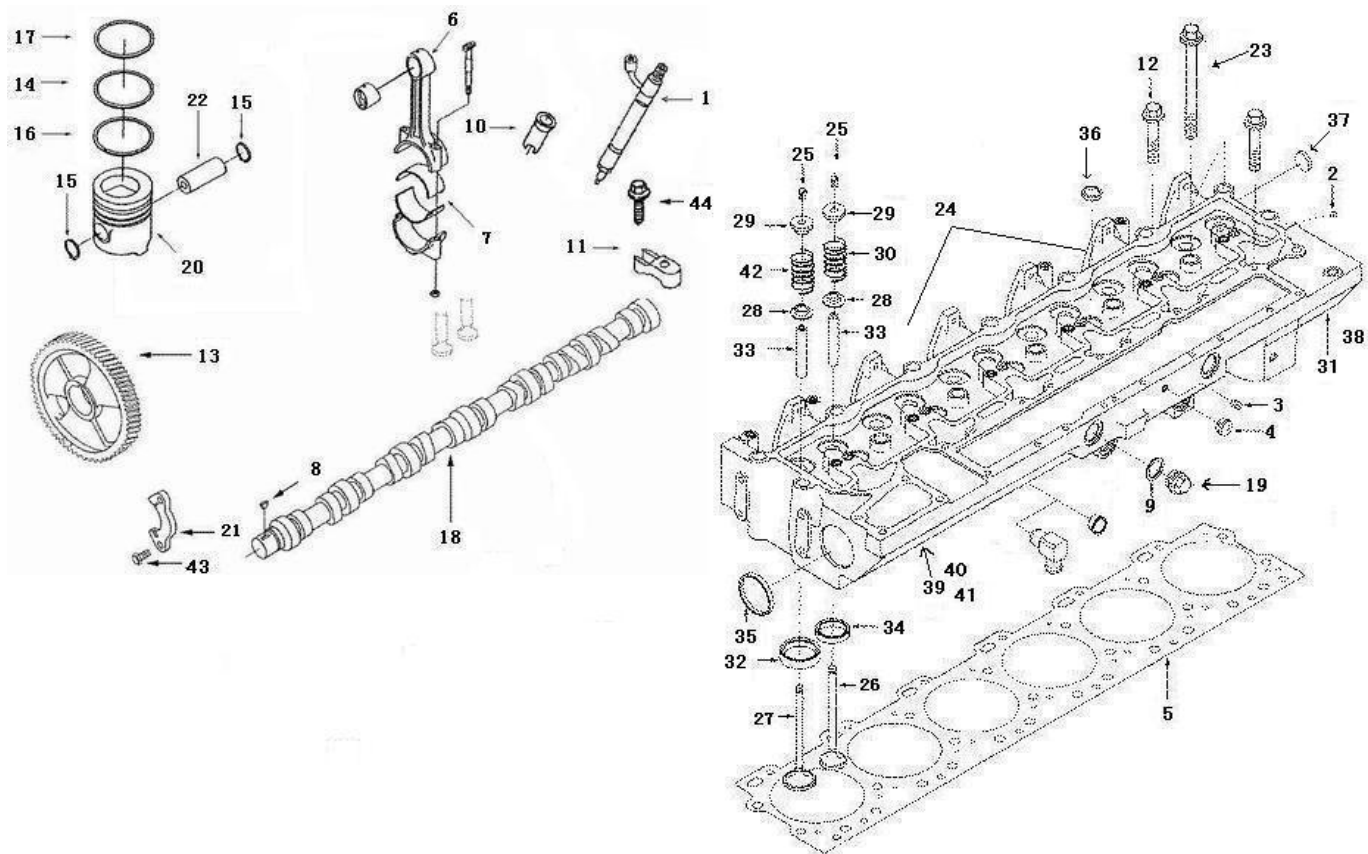


序号 No.	件号 Part No.	数量 Quantity	名称 Name	规格 Specification	适用产品 Products Applied	备注 Remark
15	C3920692	12	挡圈 Retainer Ring		C230 20	
16	C3921919	6	油环 Oil Ring		C230 20	
17	C3922686	6	上压缩环 Upper Compression Ring		C230 20	
18	C3923478	1	凸轮轴 Camshaft		C230 20	
19	C3924148	2	螺塞 Plug		C230 20	
20	C3925878	6	活塞 Piston		C230 20	
21	C3927155	1	凸轮轴止推片 Camshaft Thrust Plate		C230 20	
22	C3934046	6	活塞销 Piston Pin		C230 20	
23	C3960043	14	六角法兰面螺栓 Hexagon Bolt With Flange		C230 20	
24	C4931026	1	气缸盖组合件 Cylinder Head Set		C230 20	
25	3901177	24	气门锁块 Valve Lock Piece		C230 20	
26	3921444	6	排气阀 Exhaust Valve		C230 20	
27	3924492	6	进气阀 Intake Valve		C230 20	
28	3927642	12	气阀杆油封 Valve Stem Oil Seal		C230 20	



## 性能件组 (PP40311)/FUNCTIONAL PART SET(PP40311)

## 10-BT



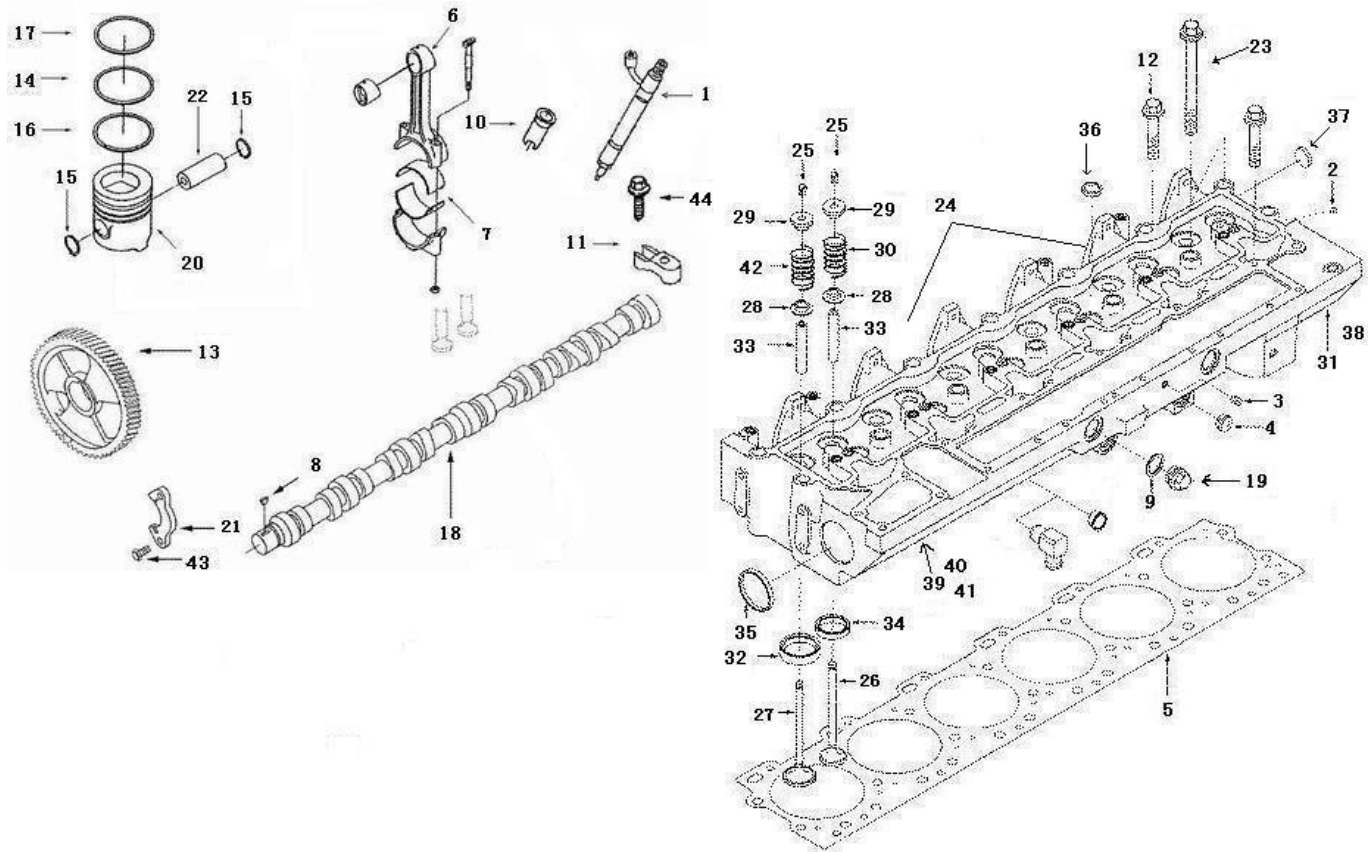
发动机系统 / ENGINE SYSTEM

10-194

序号 No.	件号 Part No.	数量 Quantity	名称 Name	规格 Specification	适用产品 Products Applied	备注 Remark
29	C3912976	12	气阀弹簧座 Valve Spring Seat		C230 20	
30	C3916588	6	排气阀弹簧总成 Exhaust Valve Spring Assembly		C230 20	
31	C3936180	1	气缸盖带碗形塞总成 Cylinder Head W/Bowl Plug Assembly		C230 20	
32	3908830	6	气阀座 Valve Seat		C230 20	
33	3925863	12	气阀导管 Valve Duct		C230 20	
34	3928174	6	气阀座 Valve Seat		C230 20	
35	C3900965	2	碗形塞 Bowl Plug		C230 20	
36	C3914035	5	碗形塞 Bowl Plug		C230 20	
37	C3920443	1	碗形塞 Bowl Plug		C230 20	
38	C3936154	1	气缸盖 Cylinder Head		C230 20	
39	C3968118	1	气缸盖(半成品) Cylinder Head(Semi-Finished Product)		C230 20	
40	C3968118A	1	气缸盖 Cylinder Head		C230 20	
41	3936152	1	气缸盖 Cylinder Head		C230 20	
42	C3991085	6	进气阀弹簧 Intake Valve Spring		C230 20	

## 性能件组 (PP40311)/FUNCTIONAL PART SET(PP40311)

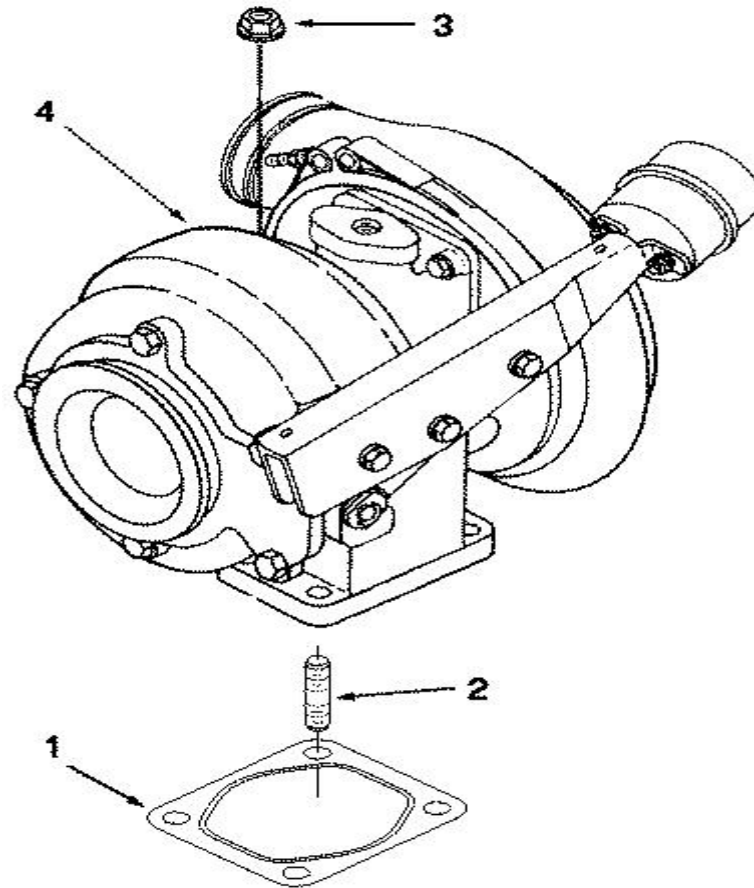
## 10-BT



序号 No.	件号 Part No.	数量 Quantity	名称 Name	规格 Specification	适用产品 Products Applied	备注 Remark
43	Q150B0822	2	六角头螺栓 Hexagon Head Bolt		C230 20	
44	Q1840880	6	六角法兰面螺栓 Hexagon Bolt With Flange		C230 20	

## 增压器组 (PP98438)/SUPERCHARGER SET(PP98438)

10-BU



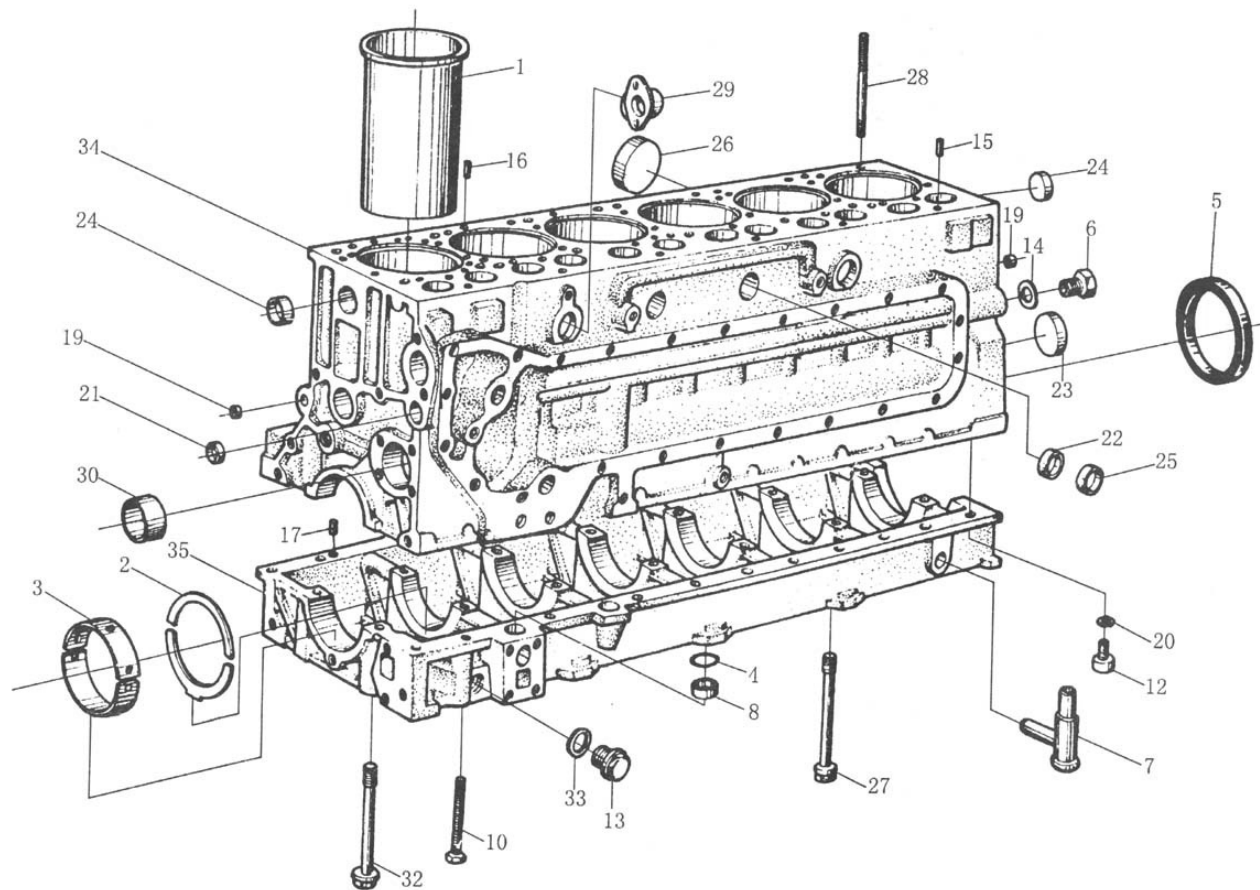
发动机系统 / ENGINE SYSTEM

10-198

序号 No.	件号 Part No.	数量 Quantity	名称 Name	规格 Specification	适用产品 Products Applied	备注 Remark
1	C3755843	1	增压器密封垫 Supercharger Gasket		C230 20	
2	C3818823	4	双头螺栓 Stud Bolt		C230 20	
3	C3818824	4	六角法兰面螺母 Hexagon Nut With Flange		C230 20	
4	C4050063	1	增压器 Supercharger		C230 20	

## 汽缸体 (一) / CYLINDER BLOCK I

10-BV

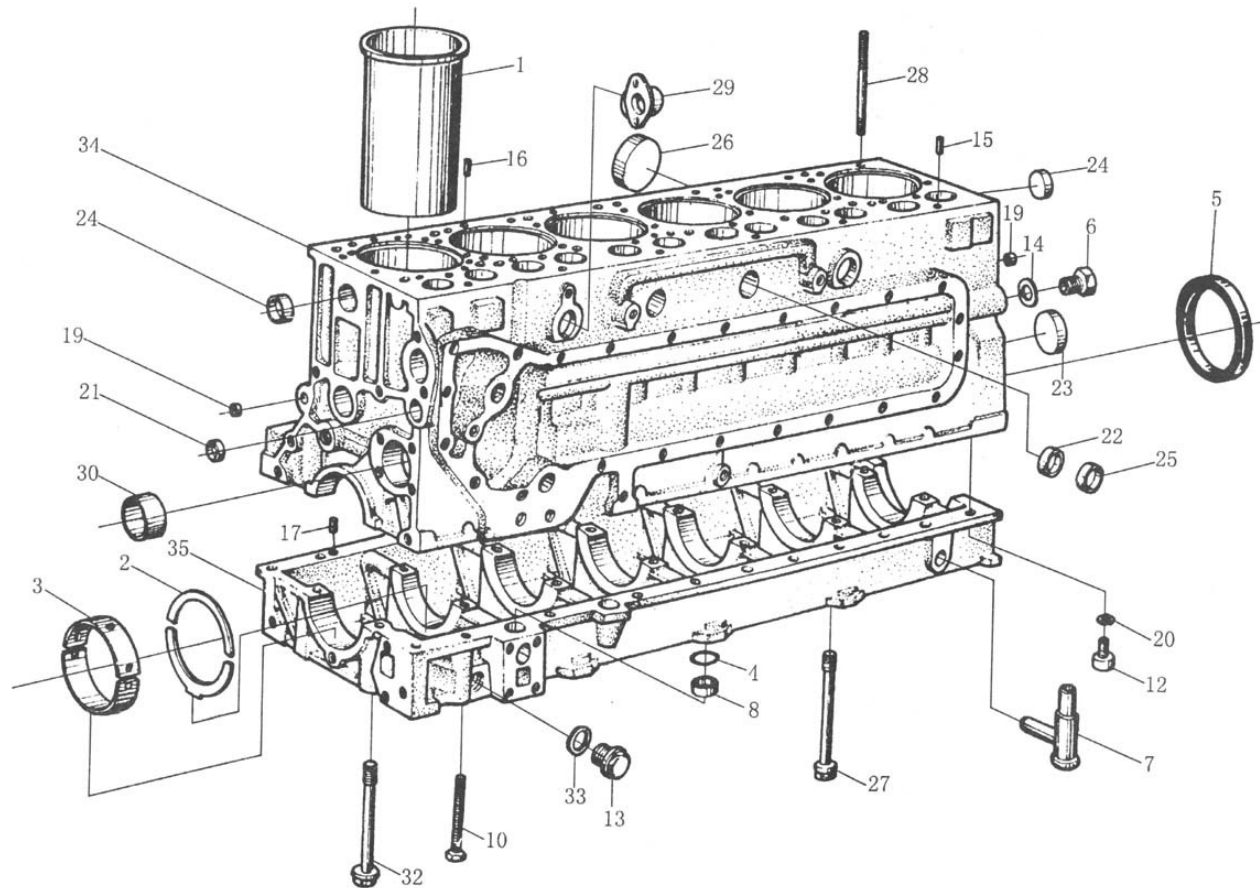


序号 No.	件号 Part No.	数量 Quantity	名称 Name	规格 Specification	适用产品 Products Applied	备注 Remark
1	615 00 01 0344	6	气缸套 Cylinder Liner			
2	815 00 01 0125	2	止推片 (付) Thrust Plate(Pair)			
3	815 00 01 0046	7	主轴瓦 (付) Main Bearing Shell(Pair)			
4	614 01 0134	2	密封圈 Seal Ring			
5	615 00 01 0100	1	后油封 Rear Oil Seal			选其一 Select One
	615 00 01 0047	1	后油封 Rear Oil Seal			选其一 Select One
	900 03 07 4377	1	后油封 Rear Oil Seal			选其一 Select One
	900 03 07 4487	1	后油封 Rear Oil Seal			选其一 Select One
6	614 60 07 0011	1	主油管后螺塞 Rear Plug Of Main Oil Pipe			
7	612 60 00 70083	1	回油短管 Short Oil Return Pipe			
8	614 01 0120	2	套管 Sleeve			
10	900 03 80 2493	2	六角头螺栓 Hexagon Head Bolt	M8×110 DIN 933		
12	900 03 86 2428	22	内六角圆柱头螺钉 Hexagon Socket Cap Head Screw	M8×25 DIN912		
13	900 03 96 2050	1	内六角螺塞 Hexagon Socket Plug	M30×1.5 D00908		



## 汽缸体 (一) / CYLINDER BLOCK I

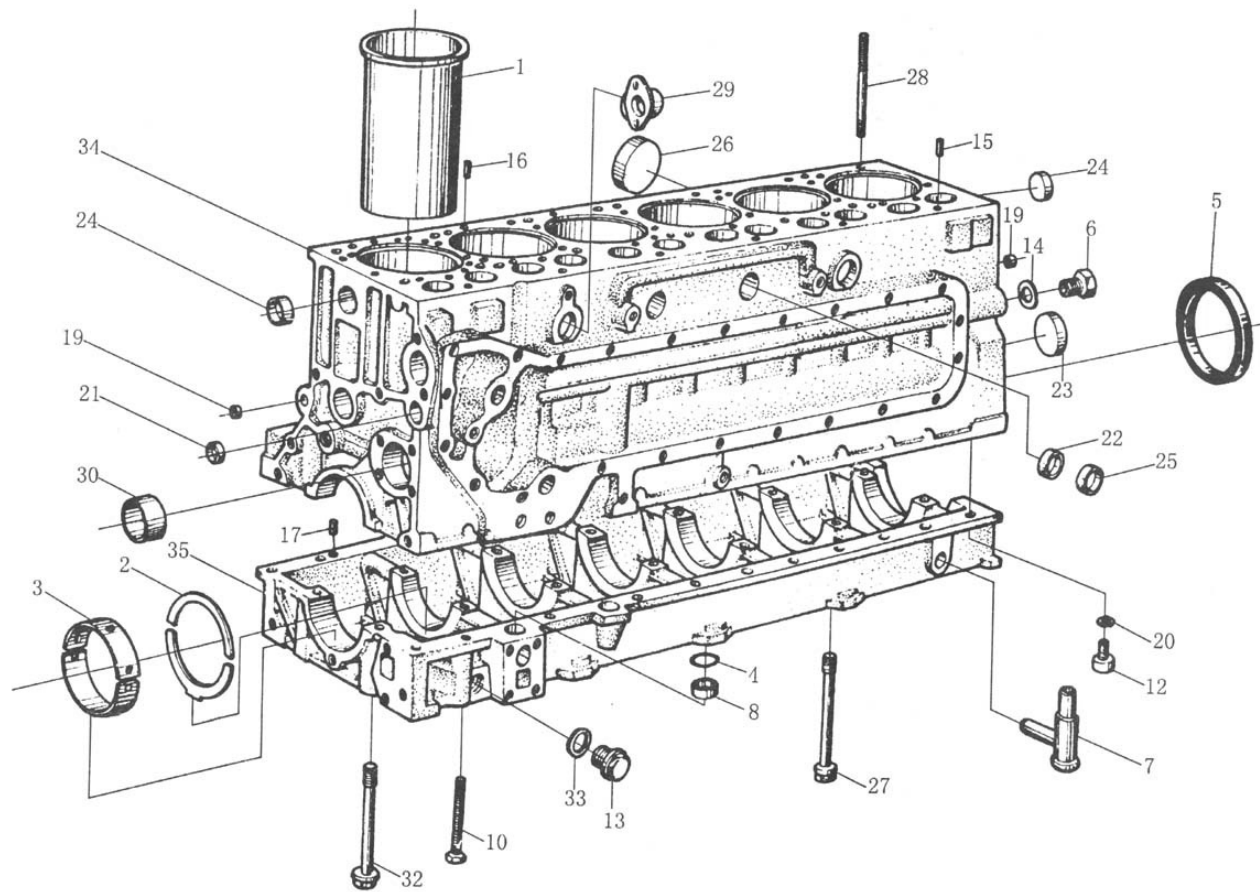
10-BV



序号 No.	件号 Part No.	数量 Quantity	名称 Name	规格 Specification	适用产品 Products Applied	备注 Remark
14	900 03 09 8086	1	密封垫圈 Seal Washer			
15	900 03 90 1604	6	圆柱销 Cylindrical Pin	12m6×20 DIN7		
16	900 03 90 9626	6	弹性圆柱销 Elastic Cylindrical Pin	6×12 D01481		
17	900 03 90 1604A	3	圆柱销 Cylindrical Pin	12m6×26 D00007		
19	900 03 98 9480	2	碗型塞 Bowl Plug	17/8 N5564		
20	188 25 0083	22	自锁垫圈 Self Lock Washer			
21	900 03 98 9204	1	碗型塞 Bowl Plug	28/12 N5560		
22	900 03 98 9289	4	碗型塞 Bowl Plug	40/12-MS N5564		
23	900 03 98 9288	1	碗型塞 Bowl Plug	65/14 N5564		
24	900 03 98 2121	4	碗型塞 Bowl Plug	45/12 N5564		
25	900 03 98 9215	3	碗型塞 Bowl Plug	45/12 N5564		
26	900 03 98 9210	6	碗型塞 Bowl Plug	75/14 N5564		
27	614 01 0217	1	主轴承螺栓 Main Bearing Bolt			
28	615 00 01 0185	21	气缸盖螺栓 Cylinder Head Bolt			

## 汽缸体 (一) / CYLINDER BLOCK I

10-BV



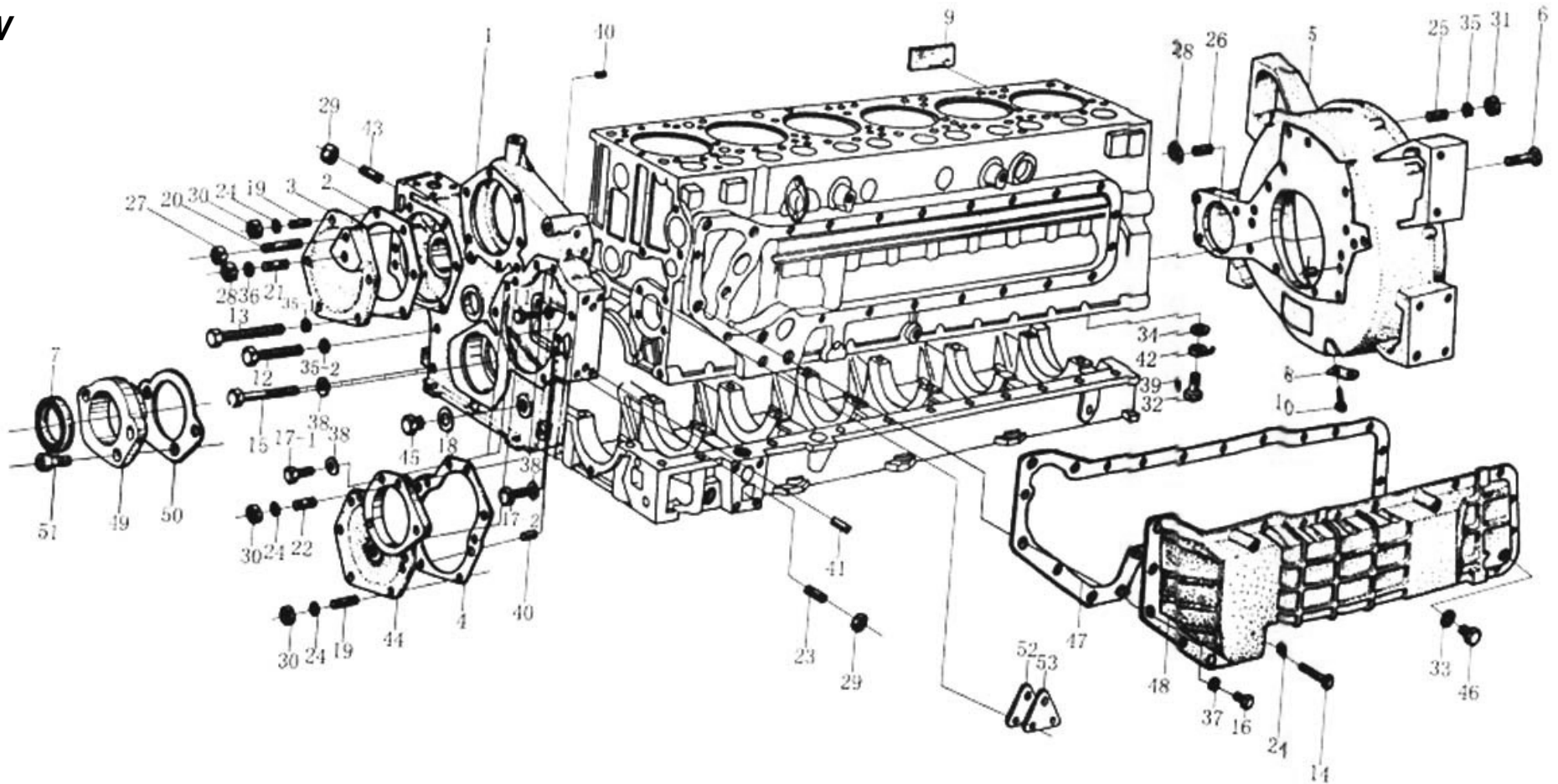
发动机系统 / ENGINE SYSTEM

10-204

序号 No.	件号 Part No.	数量 Quantity	名称 Name	规格 Specification	适用产品 Products Applied	备注 Remark
29	614 01 0279	1	通风弯管 Curved Vent Tube			
30	615 60 01 0029	7	凸轮轴衬套 Camshaft Bushing			
32	614 01 0114	13	主轴承螺栓 Main Bearing Bolt			
33	900 03 09 8086	1	密封垫圈 Seal Washer	AKM N05125		
34	615 60 01 0095B	1	气缸体 Cylinder Block			
35	615 60 01 0109	1	曲轴箱 Crankcase			

## 汽缸体 (二) / CYLINDER BLOCK II

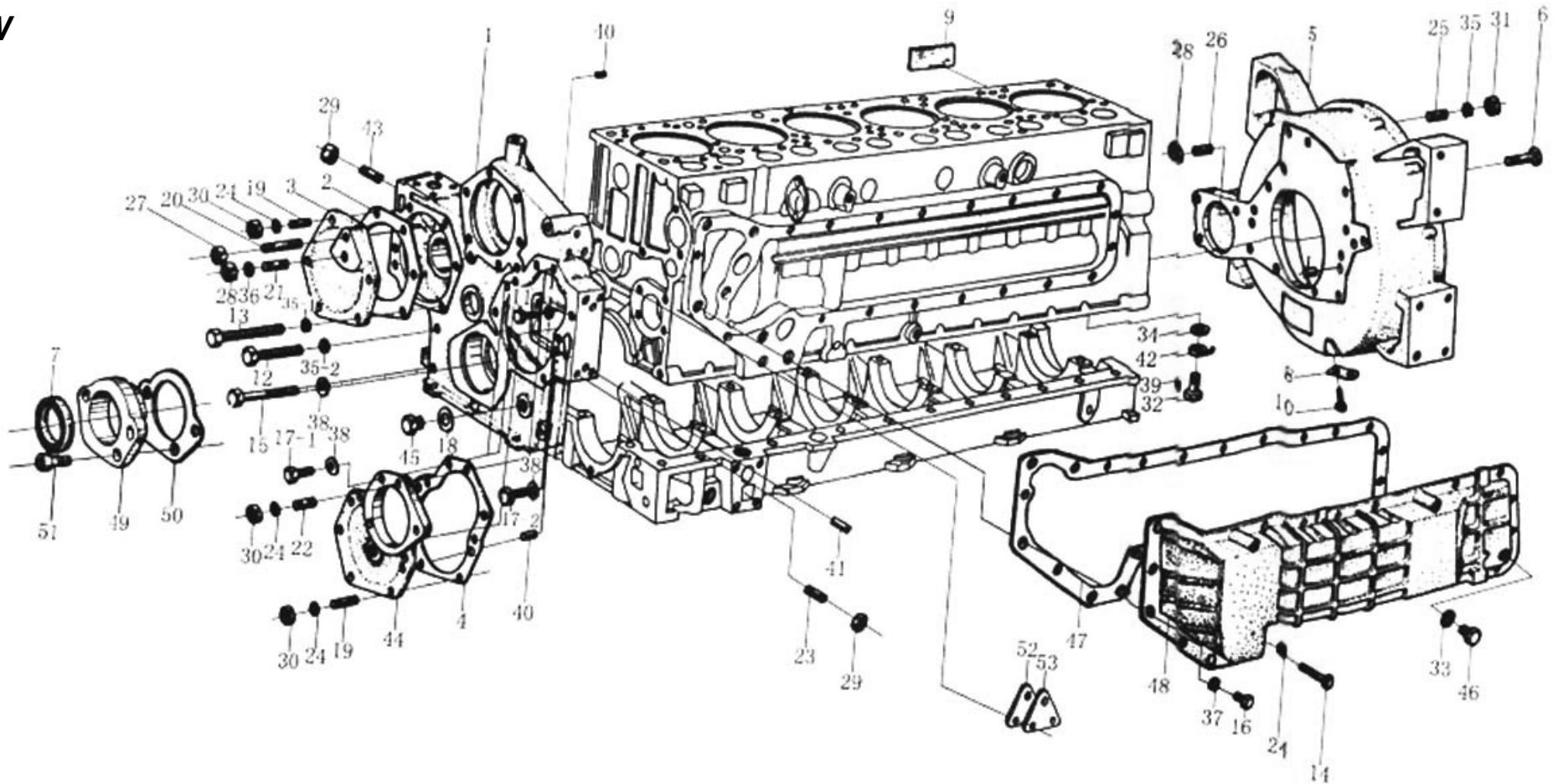
10-BW



序号 No.	件号 Part No.	数量 Quantity	名称 Name	规格 Specification	适用产品 Products Applied	备注 Remark
1	615 60 01 0094B	1	正时齿轮室 Timing Gear Case			
2	615 60 01 0069	1	空压机齿轮盖 Air Compressor Gear Cover			
3	614 01 0040	1	空压机齿轮盖垫片 Air Compressor Gear Cover Shim			
4	614 01 0070	1	凸轮轴齿轮盖垫片 Camshaft Gear Cover Shim			
5	615 00 01 0012	1	SAEI 飞轮壳 SAEI Flywheel Housing			
6	615 00 01 0101	7	飞轮壳螺栓 Flywheel Housing Bolt			
	615 00 01 0062	6	飞轮壳螺栓 Flywheel Housing Bolt			
7	615 00 01 0037	1	前油封 Front Oil Seal			选其一 Select One
	615 00 01 0038	1	前油封 Front Oil Seal			选其一 Select One
	615 00 01 0046	1	前油封 Front Oil Seal			选其一 Select One
8	180 021 0011	1	观察孔盖 Sight Hole Cover			
9	612 60 00 10193	1	铭牌 Name Plate			
10	900 03 80 2511	2	六角头螺栓 Hexagon Head Bolt	M10×18 D00933		
11	900 03 80 2523	3	六角头螺栓 Hexagon Head Bolt	M10×25 D00933		

## 汽缸体 (二) / CYLINDER BLOCK II

10-BW



发动机系统 / ENGINE SYSTEM

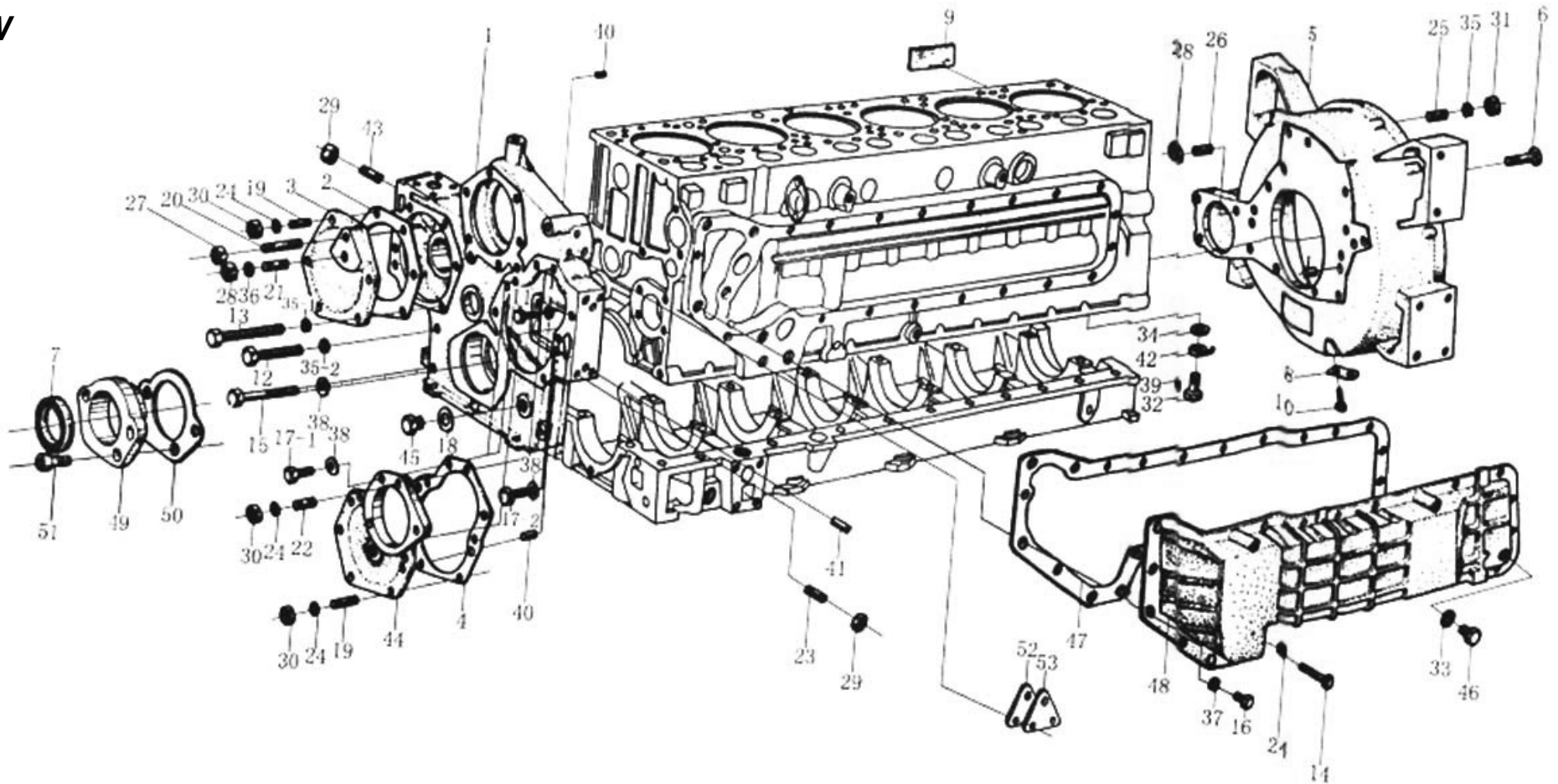
10-208

序号 No.	件号 Part No.	数量 Quantity	名称 Name	规格 Specification	适用产品 Products Applied	备注 Remark
12	900 03 80 2561	6	六角头螺栓 Hexagon Head Bolt	M10×75 D00933		
13	900 03 80 2576	1	六角头螺栓 Hexagon Head Bolt	M10×90 D00933		
14	900 03 80 0458	4	六角头螺栓 Hexagon Head Bolt	M8×70 D00931	WD615 56.	
15	900 03 80 0571	1	六角头螺栓 Hexagon Head Bolt	M10×80 D00931		
16	900 03 80 2424	19	六角头螺栓 Hexagon Head Bolt	M8×25 D00931		
17-1	900 03 86 2524	1	内六角圆柱头螺钉 Hexagon Socket Cap Head Screw	M10×20 D00912		
17-2	900 03 86 2532	1	内六角圆柱头螺钉 Hexagon Socket Cap Head Screw	M10×20 D00912		
18	900 03 09 8086	1	密封垫圈 Seal Washer	A30×36 D07603		
19	900 03 81 3470	12	双头螺柱 Stud Bolt	M8×22 D00939		
20	900 03 81 3470	3	双头螺柱 Stud Bolt	M8×60 D00939		
21	900 03 81 1531	1	双头螺柱 Stud Bolt	M10×30 D00835		
22	900 03 81 3443	1	双头螺柱 Stud Bolt	MM8×30 D00939		
23	900 03 81 3628	6	双头螺柱 Stud Bolt	M12×30 D00939		
24	900 03 93 2023	41	波型弹簧性垫圈 Wavy Spring Washer	B8 D00137		



## 汽缸体 (二) / CYLINDER BLOCK II

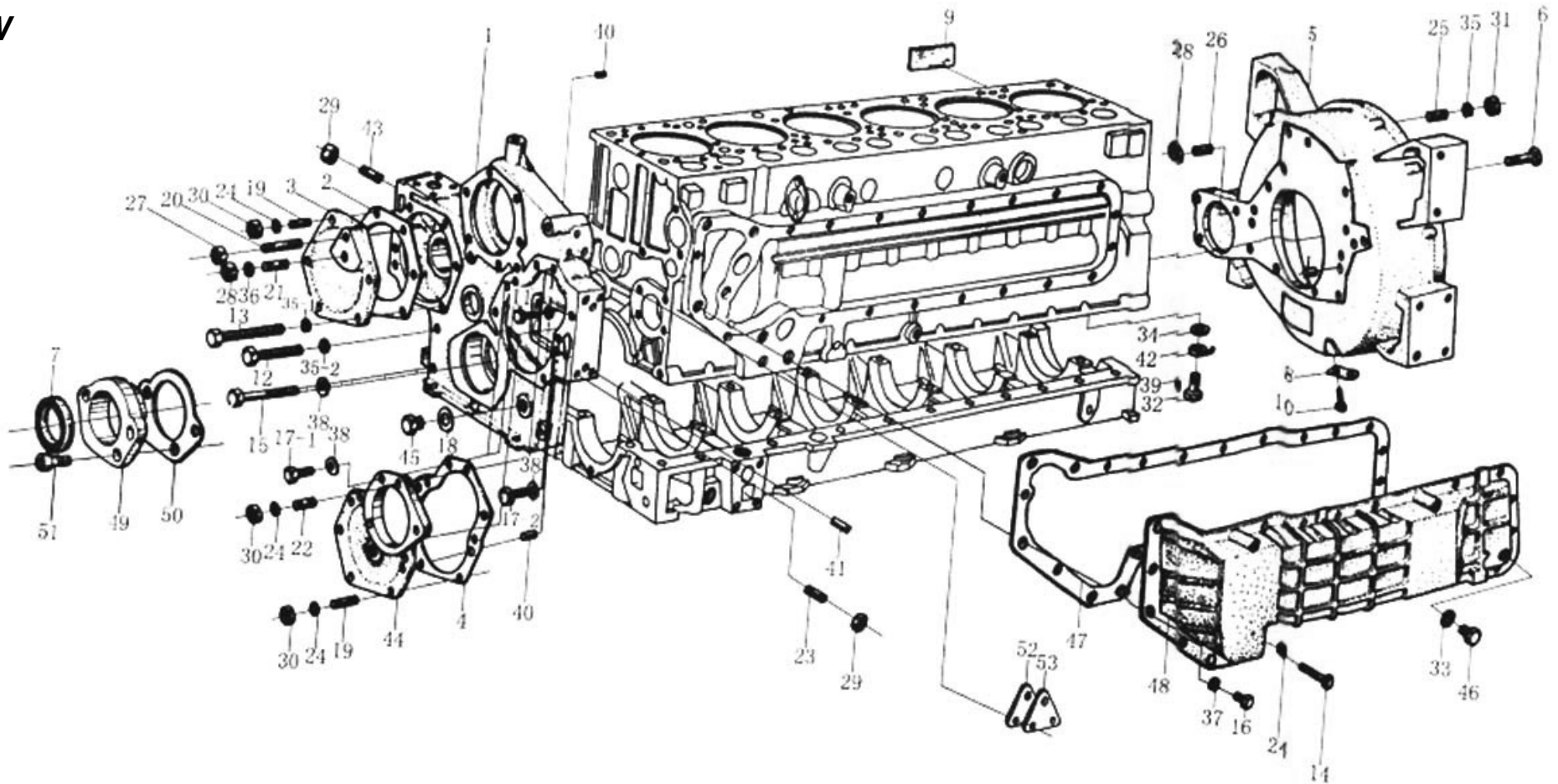
10-BW



序号 No.	件号 Part No.	数量 Quantity	名称 Name	规格 Specification	适用产品 Products Applied	备注 Remark
25	900 03 81 3537	12	双头螺柱 Stud Bolt	M10×35 D00939		
26	900 03 81 3527	3	双头螺柱 Stud Bolt	M10×28 D00939		
27	900 03 88 8451	2	2型全金属六角锁紧螺母 2-Type All Metal Hexagon Lock Nut	VM8 D00980		
28	900 03 88 8452	5	2型全金属六角锁紧螺母 2-Type All Metal Hexagon Lock Nut	VM10 D00980		
29	900 03 88 8453	8	2型全金属六角锁紧螺母 2-Type All Metal Hexagon Lock Nut	VM12 D00980		
30	900 03 87 1252	16	I型六角螺母 Hexagon Full Nut	M8 D00934		
31	900 03 87 1305	12	I型六角螺母 Hexagon Full Nut	M10 D00934		
32	900 03 96 2621	6	空心螺栓 Hollow Bolt	A8 D07623		
33	900 03 09 8014	1	密封垫圈 Seal Washer	A14×18 D07603		
34	900 03 09 8015	6	密封垫圈 Seal Washer	A14×20 DIN7603		
35-1	900 03 93 2024	1	波型弹簧性垫圈 Wavy Spring Washer	B10 D00137		
35-2	900 03 93 1122	21	弹簧垫圈 Spring Washer	B10 D00127		
36	900 03 93 0012	1	垫圈 Washer	10.5 D07340		
37	900 03 93 0271	1	小垫圈 Small Washer	10.5 D00125		

## 汽缸体 (二) / CYLINDER BLOCK II

10-BW



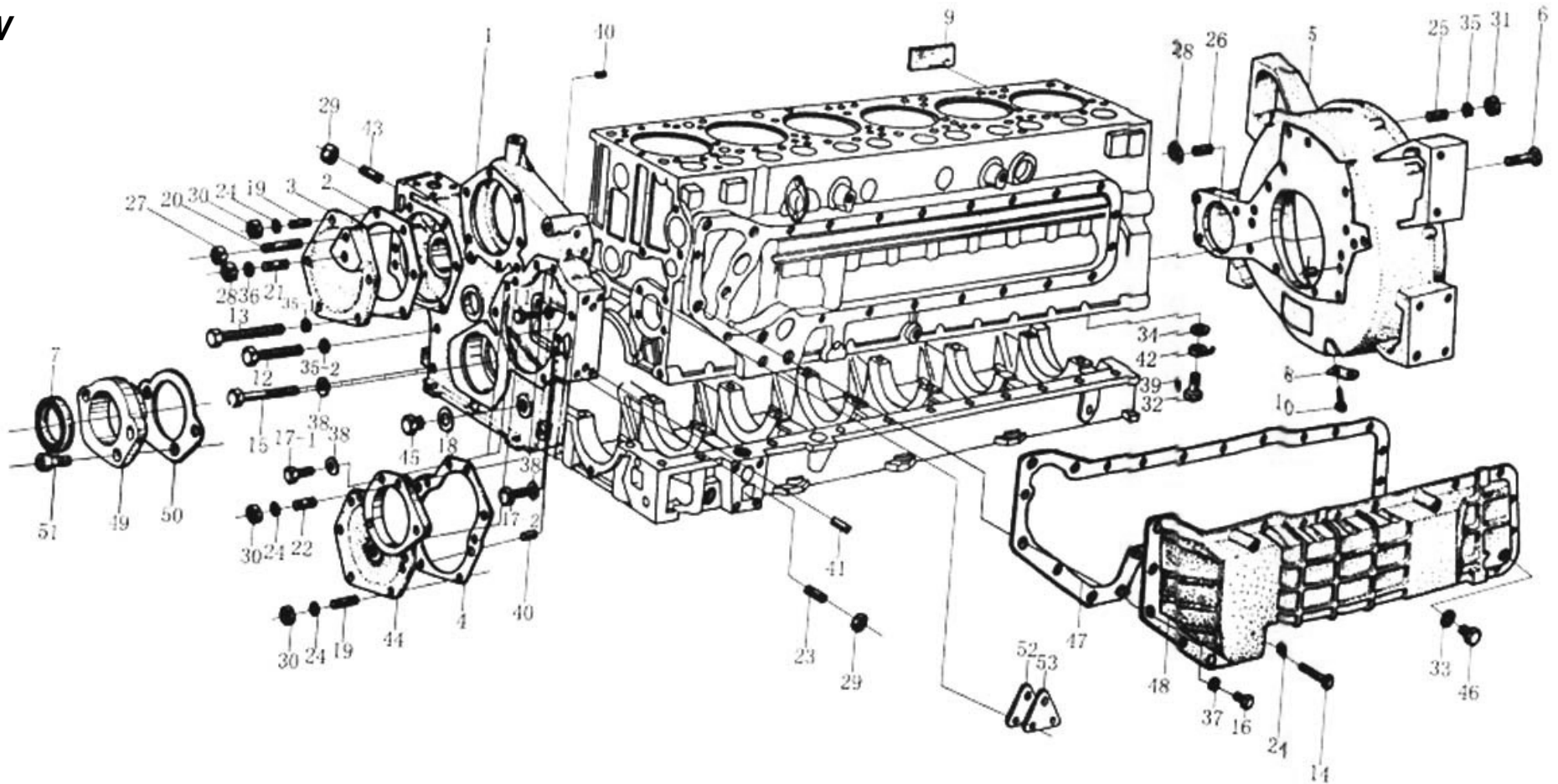
发动机系统 / ENGINE SYSTEM

10-212

序号 No.	件号 Part No.	数量 Quantity	名称 Name	规格 Specification	适用产品 Products Applied	备注 Remark
38	900 03 93 2025	2	鞍型弹簧性垫圈 Saddle Spring Washer	A10 D00137		
39	900 03 90 9603	6	弹性圆柱销 Spring Cylindrical Pin	3×8 D01481		
40	900 03 90 1507	4	圆柱销 Cylindrical Pin	10M6×16 D00007		
41	900 03 90 1604	6	圆柱销 Cylindrical Pin	12M6×16 D00007		
42	615 60 01 0047	6	喷嘴组件 Nozzle Set		WD615 56	
	615 60 01 0090	6	喷嘴组件 Nozzle Set		WD615 46、WD615 50、WD615 34、 WD615 38	
43	900 03 81 3638	2	双头螺柱 Stud Bolt	M12×35 D00939		
44	615 00 01 0008A	1	凸轮轴齿轮盖总成 Camshaft Gear Cover Assembly			
45	900 03 96 2051	1	六角头螺栓 Hexagon Head Bolt	CM30×1.5 D07604		
46	900 03 96 2020	1	六角头螺栓 Hexagon Head Bolt	A14×1.5 D07604		
47	614 01 00 84B	1	机油冷却器盖垫片 Oil Cooler Cover Shim			
48	614 01 00 83B	1	机油冷却器盖 Oil Cooler Cover			
49	AZ15 00 01 0336A	1	前油封座 Front Oil Seal Seat			
50	614 01 01 06A	1	前油封垫片 Front Oil Seal Shim			

## 汽缸体 (二) / CYLINDER BLOCK II

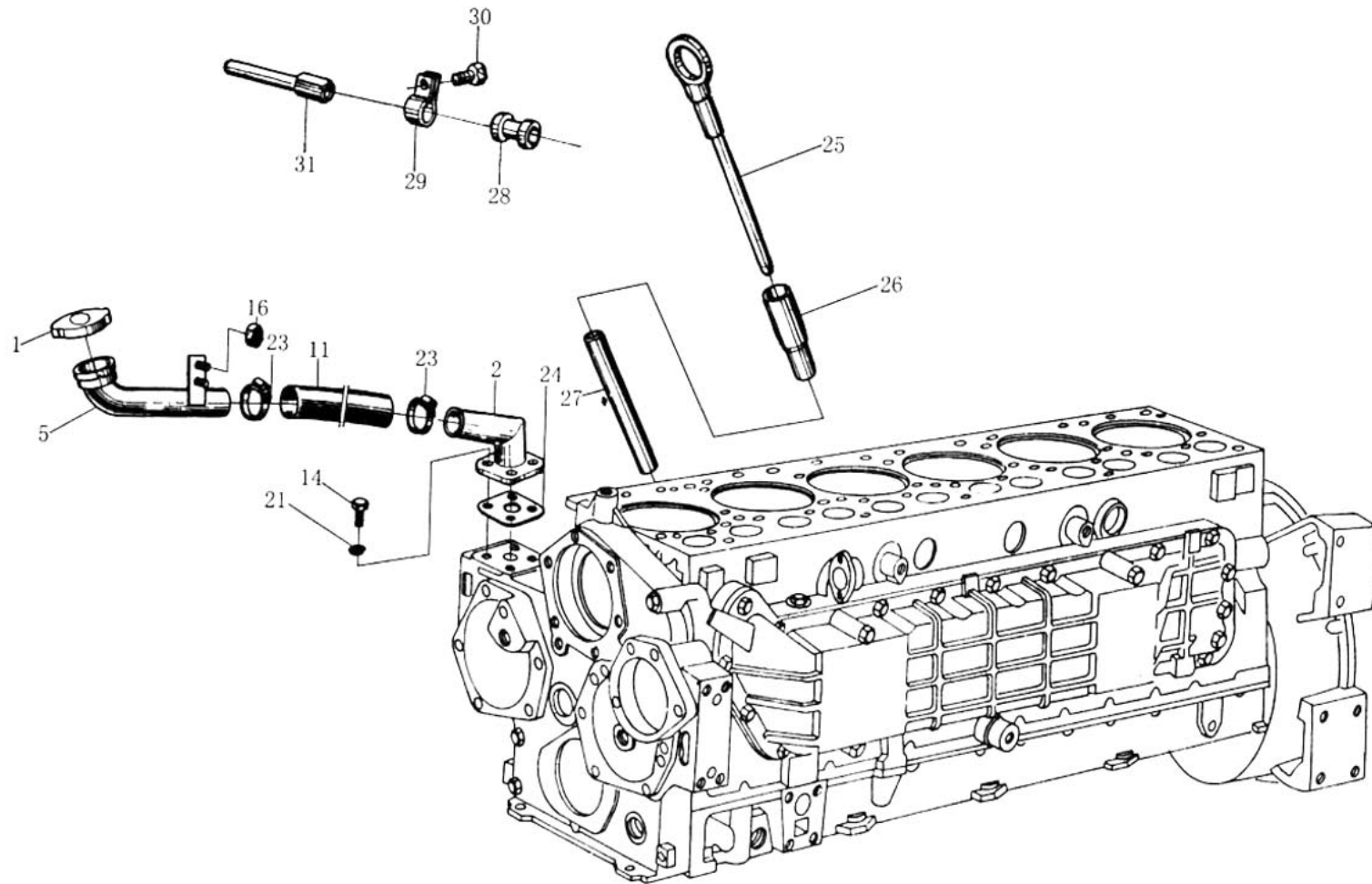
10-BW



序号 No.	件号 Part No.	数量 Quantity	名称 Name	规格 Specification	适用产品 Products Applied	备注 Remark
51	900 03 86 2327	4	内六角圆柱头螺钉 Hexagon Socket Cap Head Screw			

## 汽缸体 (三) / CYLINDER BLOCK III

10-BX



发动机系统 / ENGINE SYSTEM

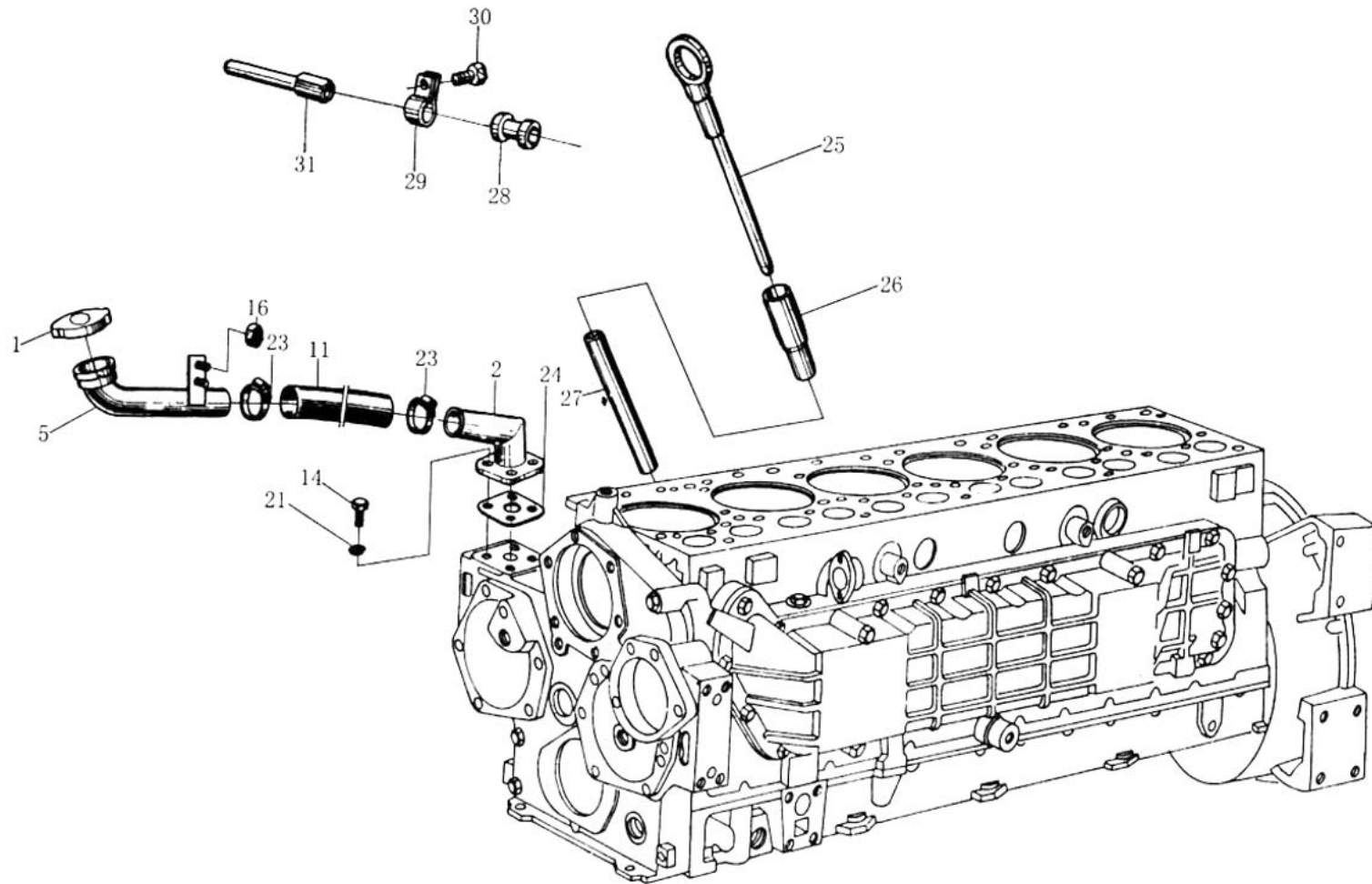
10-216

序号 No.	件号 Part No.	数量 Quantity	名称 Name	规格 Specification	适用产品 Products Applied	备注 Remark
1	612 60 00 10489	1	加油管盖组件 Oil Filler Tube Cover Set			
2	615 60 01 0028	1	加油短管组件 Short Oil Filler Tube Set			
5	612 60 00 10522	1	加油管组件 Oil Filler Tube Set			
11	615 00 01 0079	1	带纤维夹层橡胶软管 Rubber Hose w/Fiber Sandwich			
14	900 03 80 2321	4	六角头螺栓 Hexagon Head Bolt	M6×16 D00933		
16	900 03 88 8451	1	2型全金属六角锁紧螺母 2-Type All Metal Hexagon Lock Nut	VM8 D00980		
21	900 03 93 9306	4	弹簧垫圈 Spring Washer	B6 D00127		
23	900 03 98 9306	2	软管卡箍 Hose Retaining Ring	38154 N5074		
24	614 01 0086	1	加油短管垫片 Short Oil Filler Tube Shim			
25	612 60 00 10532	1	油标尺 Dipstick		WD615 46、WD615 50、WD615 34、 WD615 38	
	612 60 00 10554	1	油标尺 Dipstick		WD615 56	
26	618 00 01 0331	1	油尺管上组件 Dipstick Tube Upper Set		WD615 46、WD615 50、WD615 34、 WD615 38	
	612 60 00 10533	1	油尺管头 Dipstick Tube Head		WD615 56	
27	618 00 01 0334	1	机油尺管组件 Dipstick Tube Set		WD615 46、WD615 50、WD615 34、 WD615 38	



## 汽缸体 ( 三 ) / CYLINDER BLOCK III

10-BX



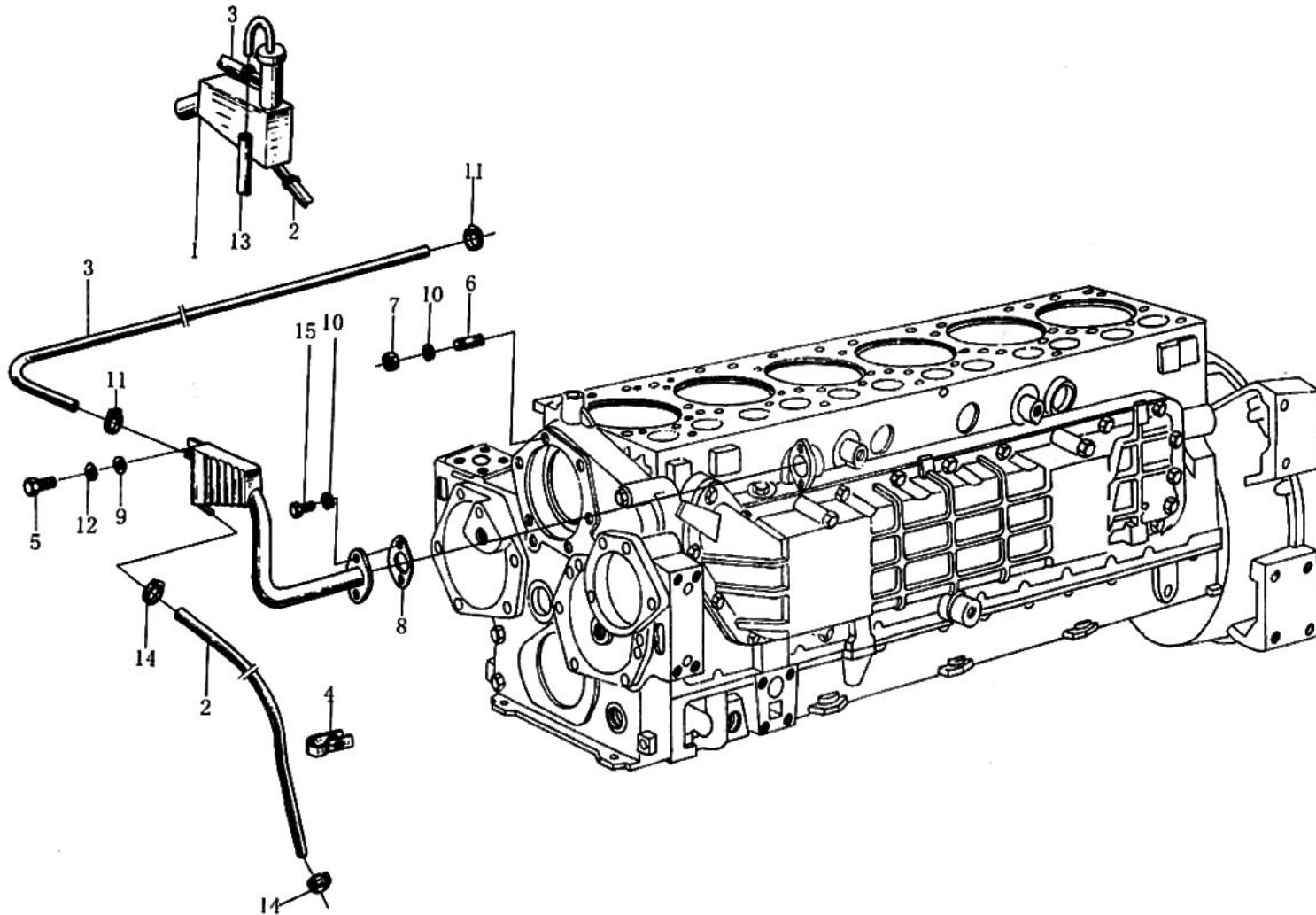
发动机系统 / ENGINE SYSTEM

10-218

序号 No.	件号 Part No.	数量 Quantity	名称 Name	规格 Specification	适用产品 Products Applied	备注 Remark
	612 60 00 10557	1	油尺管 Dipstick Tube		WD615 56	
28	612 60 00 10638	1	橡胶管箍 Rubber Tube Retainer			
29	612 60 00 10609	1	单管夹片 Single Tube Clamp Plate			
30	900 03 80 2411	1	六角头螺栓 Hexagon Head Bolt			
31	612 60 00 10609	1	支撑块 Supporting Block		WD615 46、WD615 50、WD615 34、 WD615 38	
	612 60 00 10616	1	支撑块 Supporting Block		WD615 56	

## 汽缸体 ( 四 ) / CYLINDER BLOCK IV

10-BY



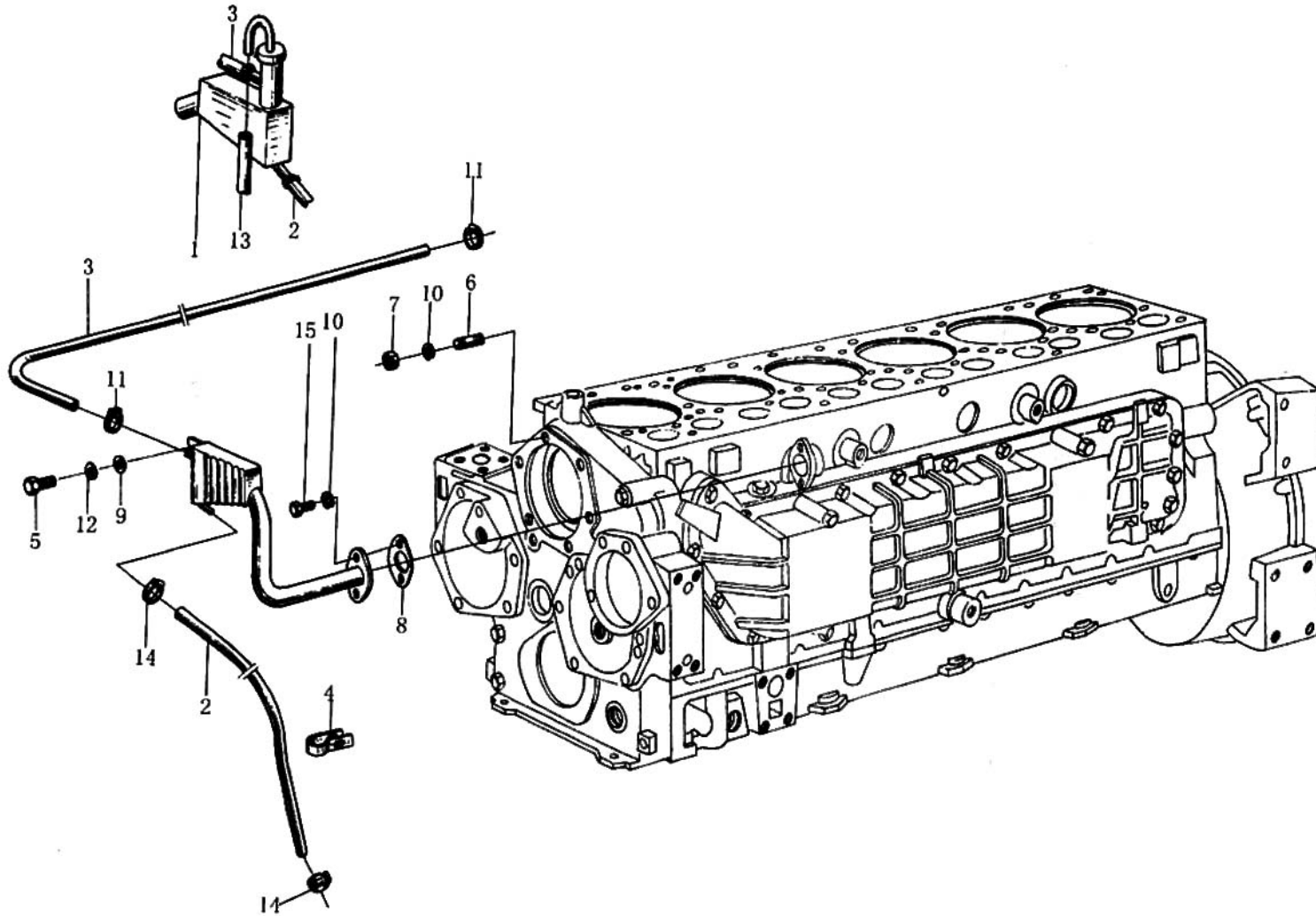
发动机系统 / ENGINE SYSTEM

10-220

序号 No.	件号 Part No.	数量 Quantity	名称 Name	规格 Specification	适用产品 Products Applied	备注 Remark
1	612 60 00 10267	1	油气分离器组件 Oil-Gas Separator Set			
2	615 00 01 0174	1	无纤维夹层橡胶软管 Rubber Hose w/o Fiber Sandwich			
3	612G 00 04 0038	1	有纤维夹层橡胶软管 Rubber Hose w/Fiber Sandwich			
4	609 E 11 0049	1	固定板 Fixing Plate			
5	900 03 80 2321	1	六角头螺栓 Hexagon Head Bolt	M6×16 D00939		
6	900 03 81 3447	1	双头螺柱 Stud Bolt	M8×35 D00939		
	900 03 81 3470	2	双头螺柱 Stud Bolt	M8×60 D00939		
	900 03 81 3429	3	双头螺柱 Stud Bolt	M8×22 D00939		
7	900 03 87 1252	6	I型六角螺母 Hexagon Full Nut	M8 DIN 934		
8	900 03 06 9303	1	垫片 Shim	30×53×1 D71511		
9	900 03 93 6101	1	大垫圈 Big Washer	A6.4 D09021		
10	900 03 93 2023	8	波型弹性垫圈 Wavy Spring Washer	B8 DIN 137		
11	900 03 98 9336	2	软管卡箍 Hose Retaining Ring	22/16 N05074		
12	900 03 93 1082	1	弹簧垫圈 Spring Washer	B6 D00127		

## 汽缸体 ( 四 ) / CYLINDER BLOCK IV

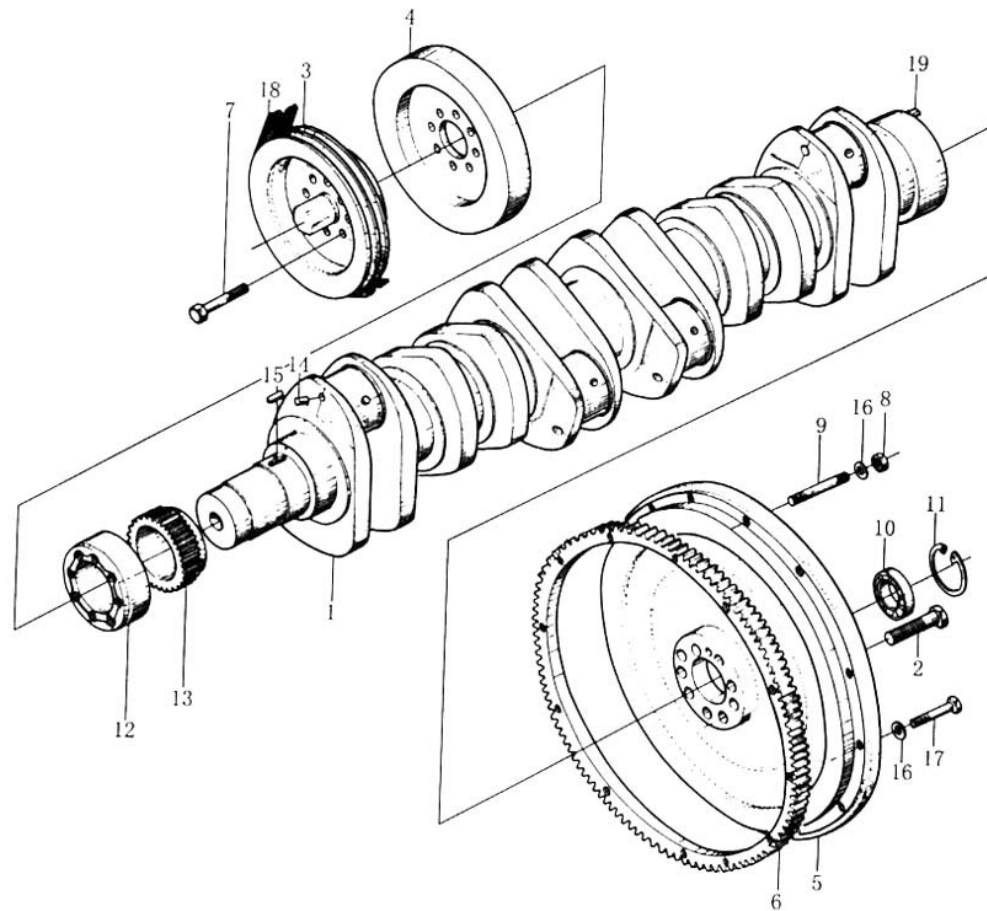
10-BY



序号 No.	件号 Part No.	数量 Quantity	名称 Name	规格 Specification	适用产品 Products Applied	备注 Remark
13	900 03 17 9784	1	尼龙管 Nylon Tube	φ 10×1		
14	900 03 98 9336	2	软管卡箍 Hose Retaining Ring	22/16 N05074		
15	900 03 86 2427	2	内六角圆柱头螺钉 Hexagon Socket Cap Head Screw	M8×20 D00912		

## 曲轴飞轮 / CRANKSHAFT FLYWHEEL

10-BZ



发动机系统 / ENGINE SYSTEM

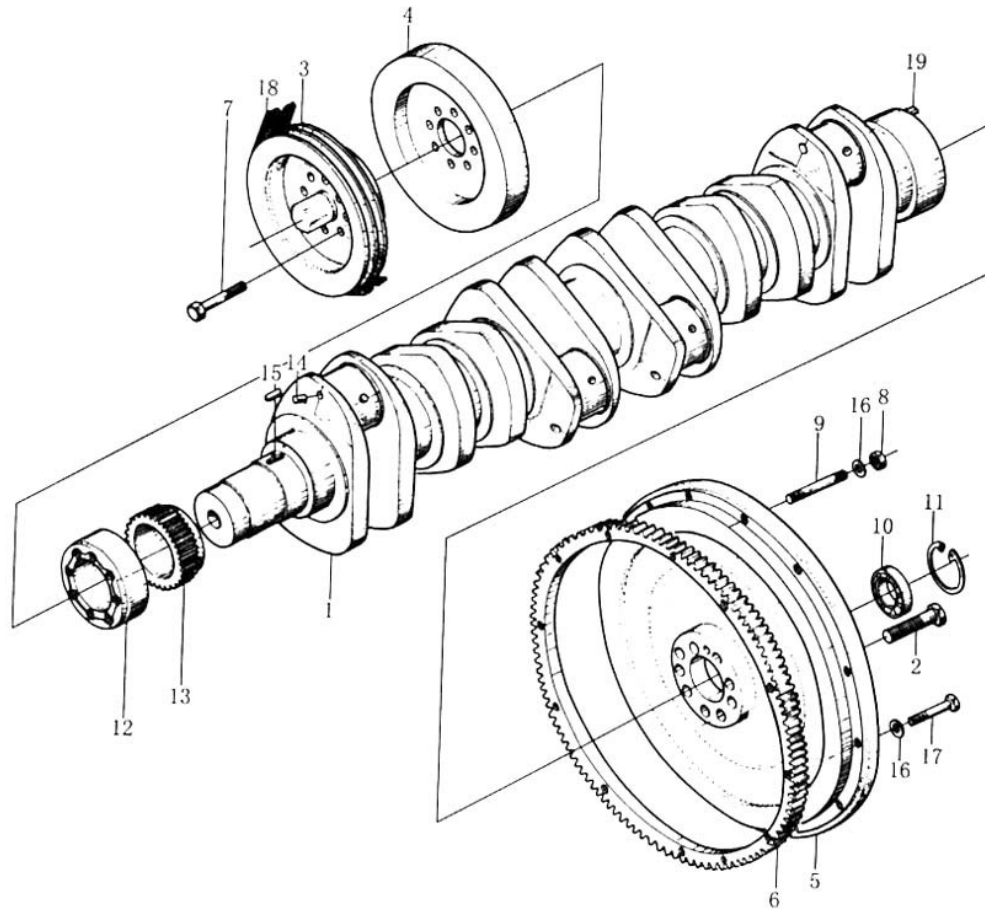
10-224

序号 No.	件号 Part No.	数量 Quantity	名称 Name	规格 Specification	适用产品 Products Applied	备注 Remark
1	615 00 02 0071	1	曲轴总成 Crankshaft Assembly		WD615 50、WD615 56	
	615 60 02 0029	1	曲轴总成 Crankshaft Assembly		WD615 44、WD615 46、WD615 34、 WD615 38	
	615 00 02 0012	1	曲轴 Crankshaft		WD615 50 WD615 56	
	612 00 02 0024	1	曲轴 Crankshaft		WD615 44、WD615 46、WD615 34、 WD615 38	
2	615 00 02 0046	9	六角头螺栓 Hexagon Head Bolt			
3	615 60 02 0017	1	皮带轮 Belt Pully			
4	615 60 02 0010	1	减震器 Absorber	φ 280		
5	615 60 02 0041	1	飞轮 Flywheel			
6	814 00 02 0015	1	飞轮齿圈 Flywheel Gear Ring			
7	900 03 80 2258	8	六角头螺栓 Hexagon Head Bolt	M10×70		
8	900 03 87 1305	2	I 型六角螺母 Hexagon Full Nut	M10 D0934		
9	900 03 81 3571	2	双头螺柱 Stud Bolt	M10×90		
10	900 03 31 1416	1	向心球轴承 Radial Ball Bearing	63052RSD00625		
11	900 03 93 4310	1	孔用弹性挡圈 Spring Retainer Ring For Hole	62×2		



## 曲轴飞轮 / CRANKSHAFT FLYWHEEL

10-BZ



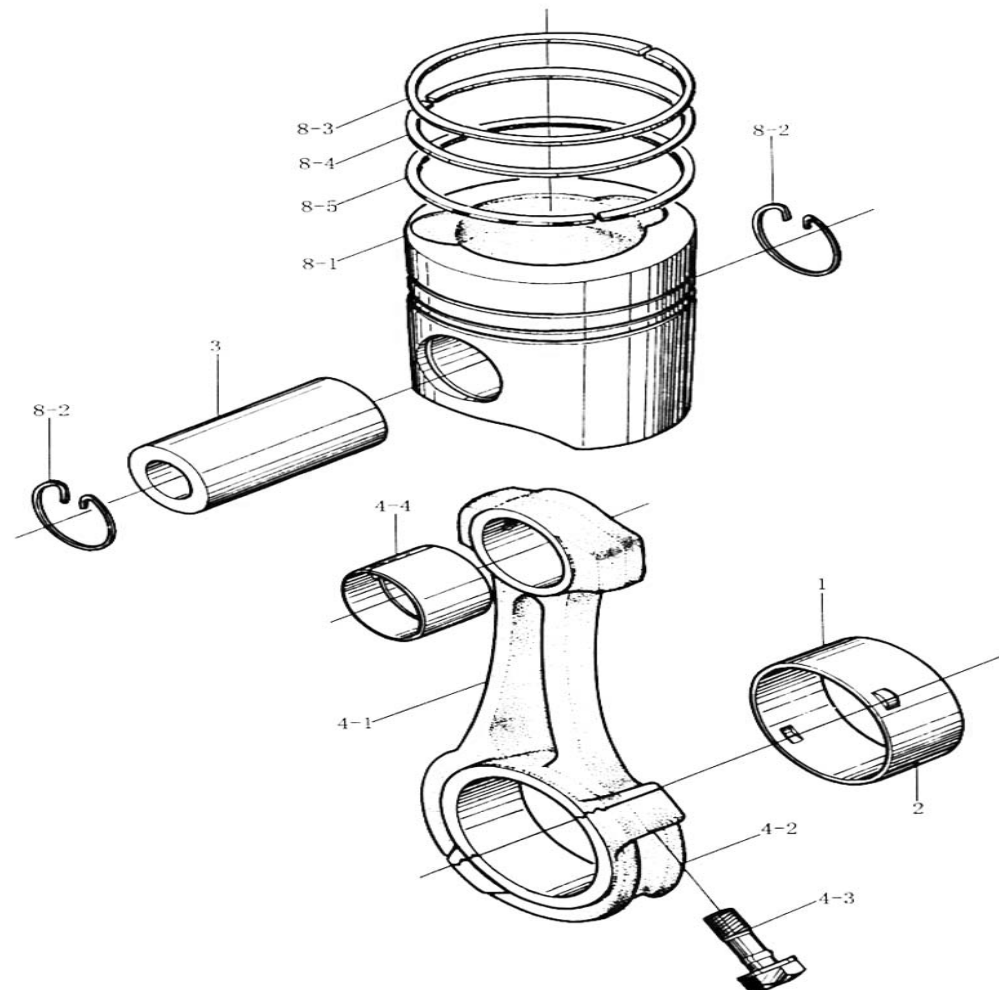
发动机系统 / ENGINE SYSTEM

10-226

序号 No.	件号 Part No.	数量 Quantity	名称 Name	规格 Specification	适用产品 Products Applied	备注 Remark
12	615 00 02 0070	1	法兰 Flange			
13	614 02 0038	1	曲轴齿轮 Crankshaft Gear			
14	900 03 96 1504	6	圆柱销 Cylindrical Pin	10H8×10		
15	900 03 96 0569	1	普通平键 Ordinary Flat Key	A8×7×28		
16	900 03 93 2024	12	波型弹性垫圈 Wavy Spring Washer	B10		
17	900 03 80 0579	10	六角头螺栓 Hexagon Head Bolt	M10×85		
18	615 00 06 0217	2	三角皮带 V-Belt			
19	900 03 90 1418	1	圆柱销 Cylindrical Pin	8M6×18		

## 连杆和活塞 / CONNECTING ROD AND PISTON

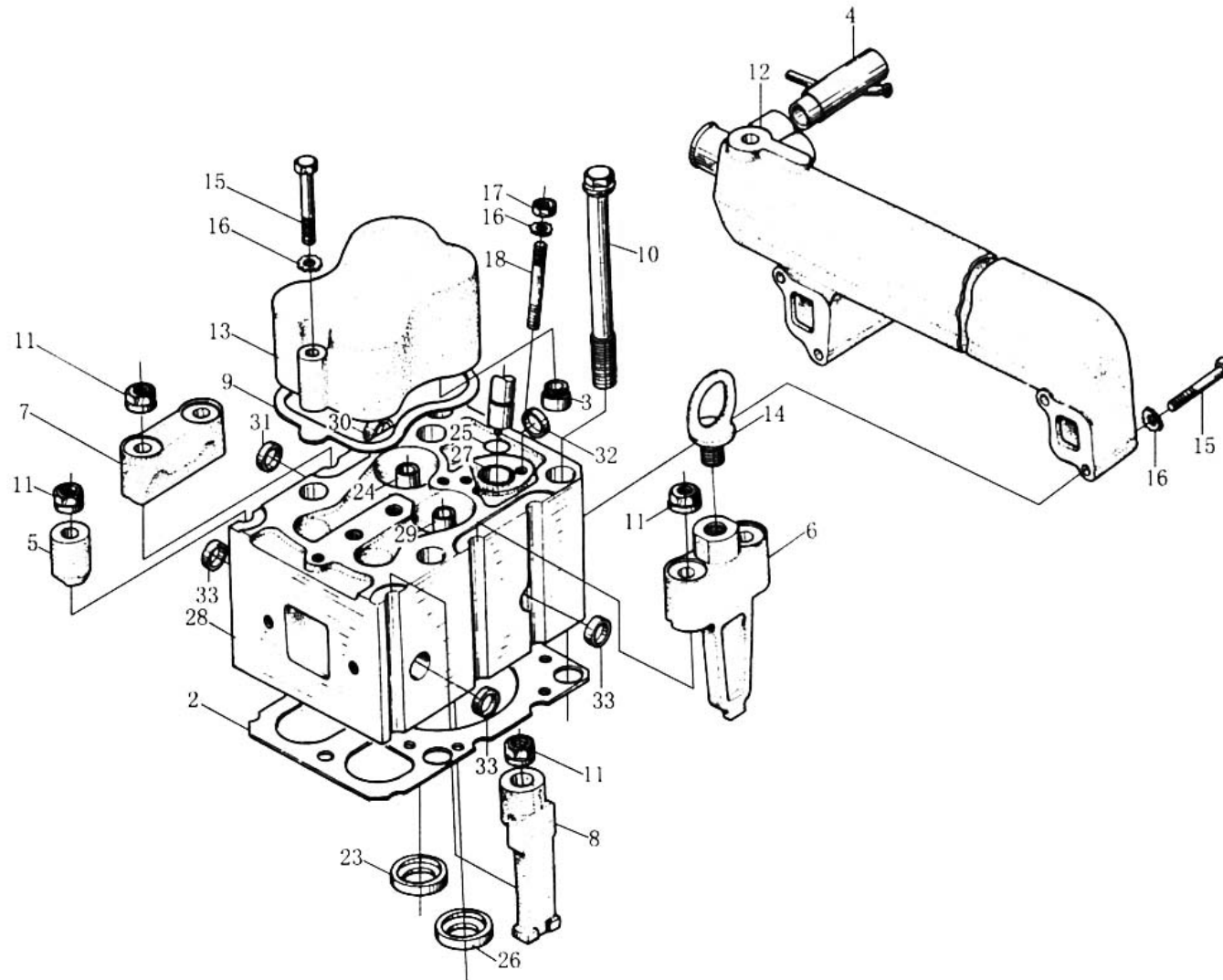
10-CA



序号 No.	件号 Part No.	数量 Quantity	名称 Name	规格 Specification	适用产品 Products Applied	备注 Remark
1	615 60 03 0033	12	连杆轴瓦 Connecting Rod Bearing Shell			WD615 46 数量为 6 Quantity Of WD615 46:6
2	615 60 03 0034	6	连杆轴瓦（上瓦） Connecting Rod Bearing Shell (Upper One)		WD615 46、WD615 34、WD615 38	
3	615 60 03 0013	6	活塞销 Piston Pin			
4	615 00 03 0009	6	连杆总成 Connecting Rod Assembly			
4-1	615 00 03 0008	6	连杆体 Connecting Rod Body			
4-2	615 00 03 0022	6	连杆盖 Connecting Rod Cover			
4-3	815 00 03 0023	12	连杆螺栓 Connecting Rod Bolt			
4-4	615 00 03 0067	6	连杆衬套 Connecting Rod Bushing			
8	615 60 03 0042	6	活塞总成 Piston Assembly			
8-1	615 60 03 0043	6	活塞 Piston			
8-2	815 60 03 012	12	活塞销挡圈 Piston Pin Retainer Ring			
8-3	615 60 03 0047	6	梯形环 Trapezoidal Ring			
8-4	615 60 03 0078	6	锥面环 Conical Ring			
8-5	615 60 03 0045	6	螺旋撑簧油环 Piston Scraper Ring			

## 汽缸盖总成 / CYLINDER HEAD ASSEMBLY

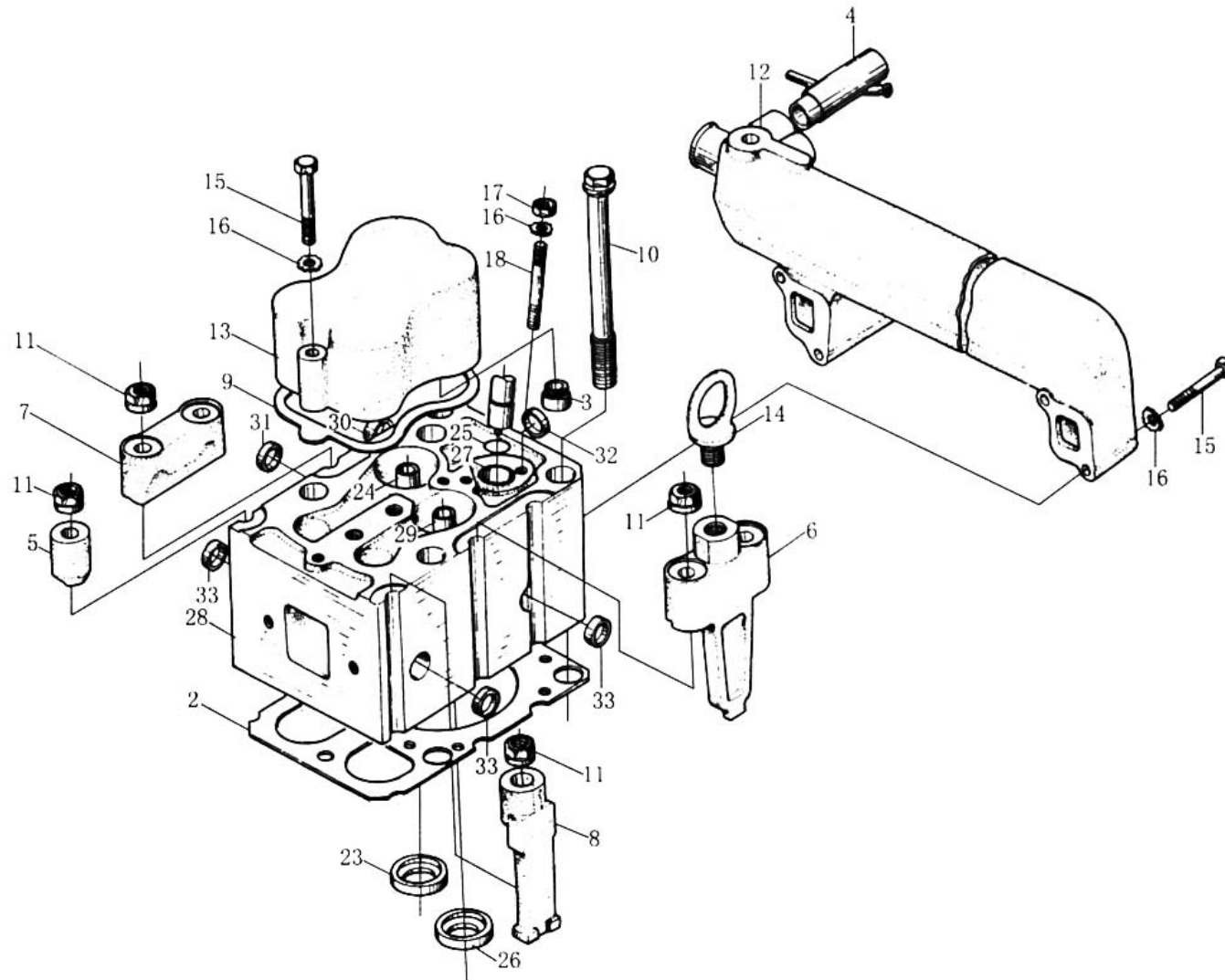
10-CB



序号 No.	件号 Part No.	数量 Quantity	名称 Name	规格 Specification	适用产品 Products Applied	备注 Remark
1	615 00 04 0058	6	汽缸盖分总成 Cylinder Head Subassembly			
2	615 00 04 0049	6	汽缸盖衬垫 Cylinder Head Gasket			
3	615 60 04 0032	12	气门杆密封套 Valve Stem Seal Sleeve			
4	615 00 06 0045	1	管接头组件 Pipe Union Set			
5	612 00 06 0023	5	夹紧块 Clamping Block			
6	615 00 04 0012	2	吊环夹紧块 Eye Ring Clamping Block			
7	615 00 04 0009	5	汽缸盖罩衬垫 Cylinder Head Cover Gasket			
8	612 00 04 0027	2	汽缸盖主螺栓 Cylinder Head Main Bolt			
9	615 60 04 0039	6	带肩螺母 Nut With Shoulder			
10	615 00 04 0023	24	出水管 Water Outlet Pipe			
11	612 00 04 0034	21	汽缸盖罩 Cylinder Head Cover			
10	615 00 04 0102	1	吊环螺钉 Eye Ring Screw			
13	614 04 0065	6	六角头螺栓 Hexagon Head Bolt			
14	614 01 0388	2	波型弹性垫圈 Wavy Spring Washer			

## 汽缸盖总成 / CYLINDER HEAD ASSEMBLY

10-CB

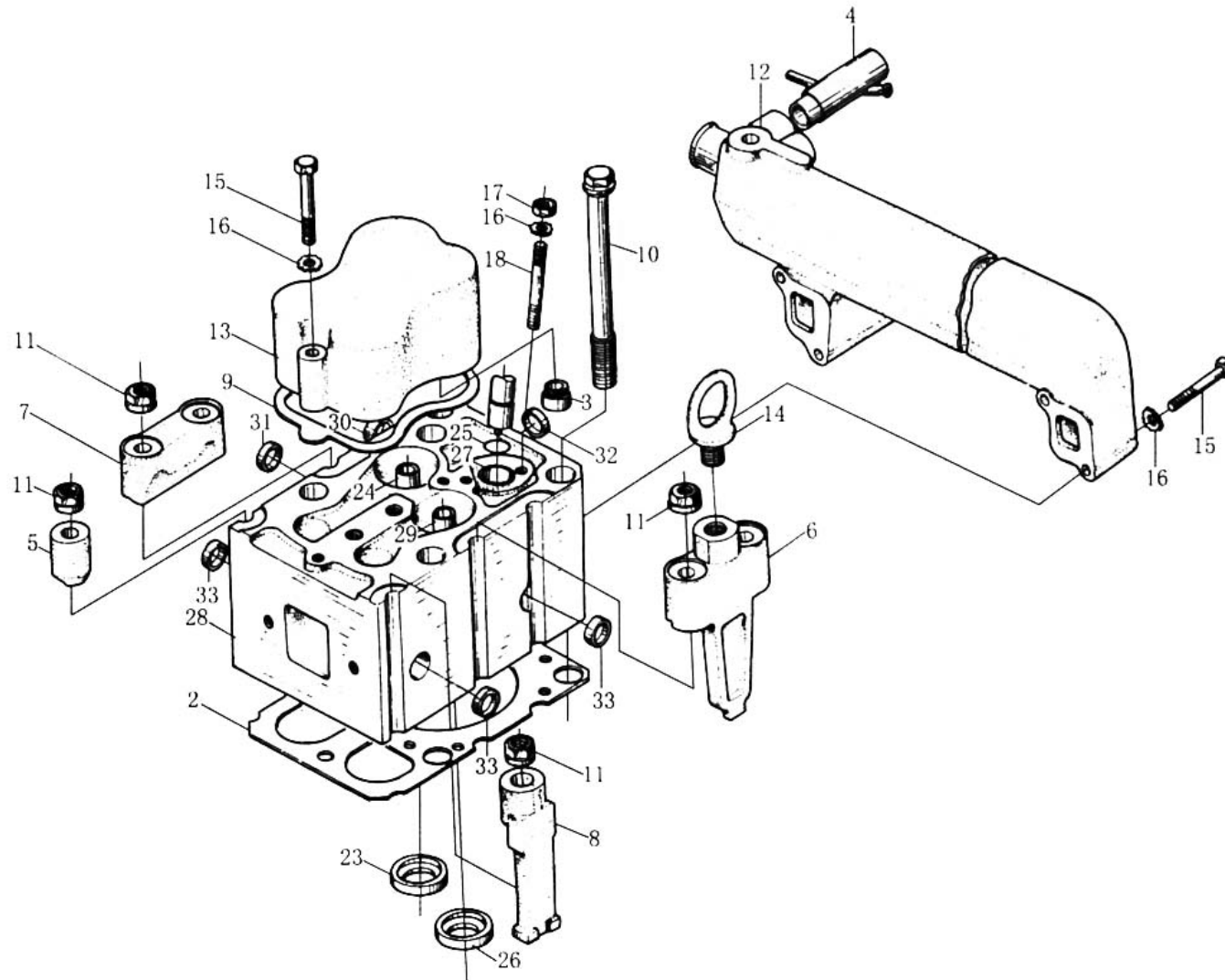


序号 No.	件号 Part No.	数量 Quantity	名称 Name	规格 Specification	适用产品 Products Applied	备注 Remark
15	900 03 80 0466	24	I 型六角螺母 Hexagon Full Nut	M8×60 D00931		
16	900 03 93 2023	24	双头螺柱 Stud Bolt	B8 D00137		
17	900 03 87 1252	12	I 型六角螺母 Hexagon Full Nut	M8 D00934		
18	900 03 81 3471	12	双头螺柱 Stud Bolt	M8×70 D00939		
23	615 60 04 0057	6	进气门座 Intake Valve Seat			
24	615 60 04 0051	12	气门导管 Valve Guide			
25	406 06 0010	6	环状密封圈 Annular Seal Ring			
26	614 04 0023	6	800 型排气门座 800Type Exhaust Valve Seat			
	815 60 04 0037	6	排气门座 Exhaust Valve Seat			
27	615 60 04 0049	6	喷油器衬套 Injector Bushing			
28	615 00 04 0040	6	汽缸盖 Cylinder Head			
29	615 00 04 0014	6	排气门弹簧下座 Exhaust Valve Spring Lower Seat			
30	900 03 98 9277	6	碗型塞片 Bowl Plug Plate	12/8 N5564		
31	900 03 98 9721	6	碗型塞片 Bowl Plug Plate	22/8 N5564		



## 汽缸盖总成 / CYLINDER HEAD ASSEMBLY

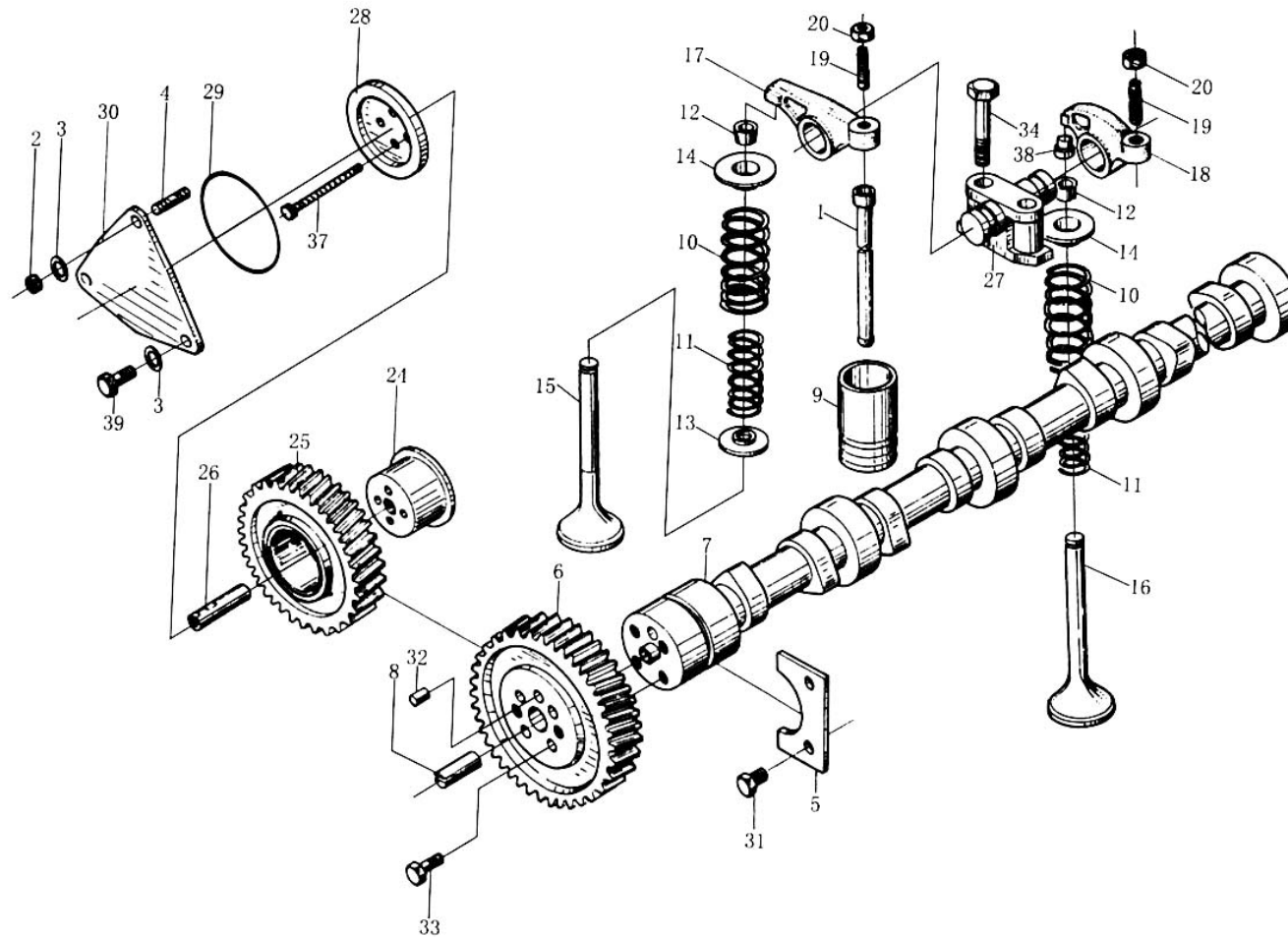
10-CB



序号 No.	件号 Part No.	数量 Quantity	名称 Name	规格 Specification	适用产品 Products Applied	备注 Remark
32	900 03 98 9725	6	碗型塞片 Bowl Plug Plate	25/8 N5564		
33	900 03 98 9294	24	碗型塞片 Bowl Plug Plate	30/8 N5564		

## 配气机构 / VALVE MECHANISM

10-CC



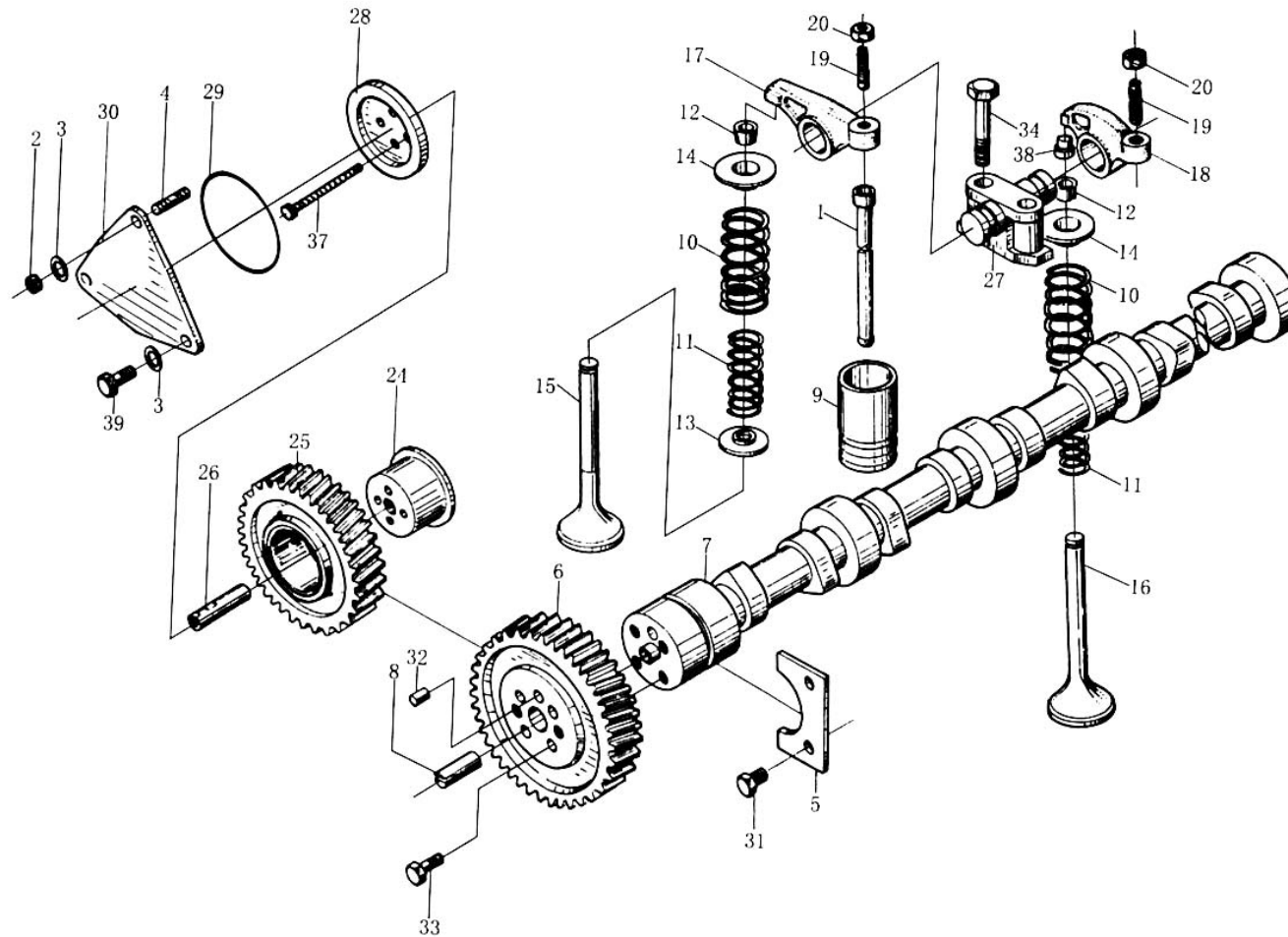
发动机系统 / ENGINE SYSTEM

10-236

序号 No.	件号 Part No.	数量 Quantity	名称 Name	规格 Specification	适用产品 Products Applied	备注 Remark
1	614 05 0058C	12	气门推杆总成 Valve Push Rod Assembly		WD615 56	
	815 00 05 0070	12	气门推杆总成 Valve Push Rod Assembly		WD615 46、WD615 50、WD615 34、 WD615 38	
2	900 03 87 1252	2	I 型六角螺母 Hexagon Full Nut			
3	900 03 93 2023	3	波型弹性垫圈 Wavy Spring Washer			
4	900 03 81 3414	2	双头螺柱 Stud Bolt			
	900 03 86 2419	1	内六角圆柱头螺钉 Hexagon Socket Cap Head Screw			
5	614 05 0133	1	凸轮轴止推片 Camshaft Thrust Plate			
6	614 05 0153	1	凸轮轴正时齿轮 Camshaft Timing Gear			
7	615 60 05 0004	1	凸轮轴 Camshaft			
	615 00 05 0096	1	凸轮轴 Camshaft		WD615 46、WD615 50、WD615 34、 WD615 38	
8	614 05 0079	1	驱动销 Drive Pin		WD615 56	
	900 03 90 1409	1	圆柱销 Cylindrical Pin			
9	615 00 05 0032	12	气门挺柱 Valve Tappet			
10	615 00 05 0002	12	气门外弹簧 Valve Outer Spring			

## 配气机构 / VALVE MECHANISM

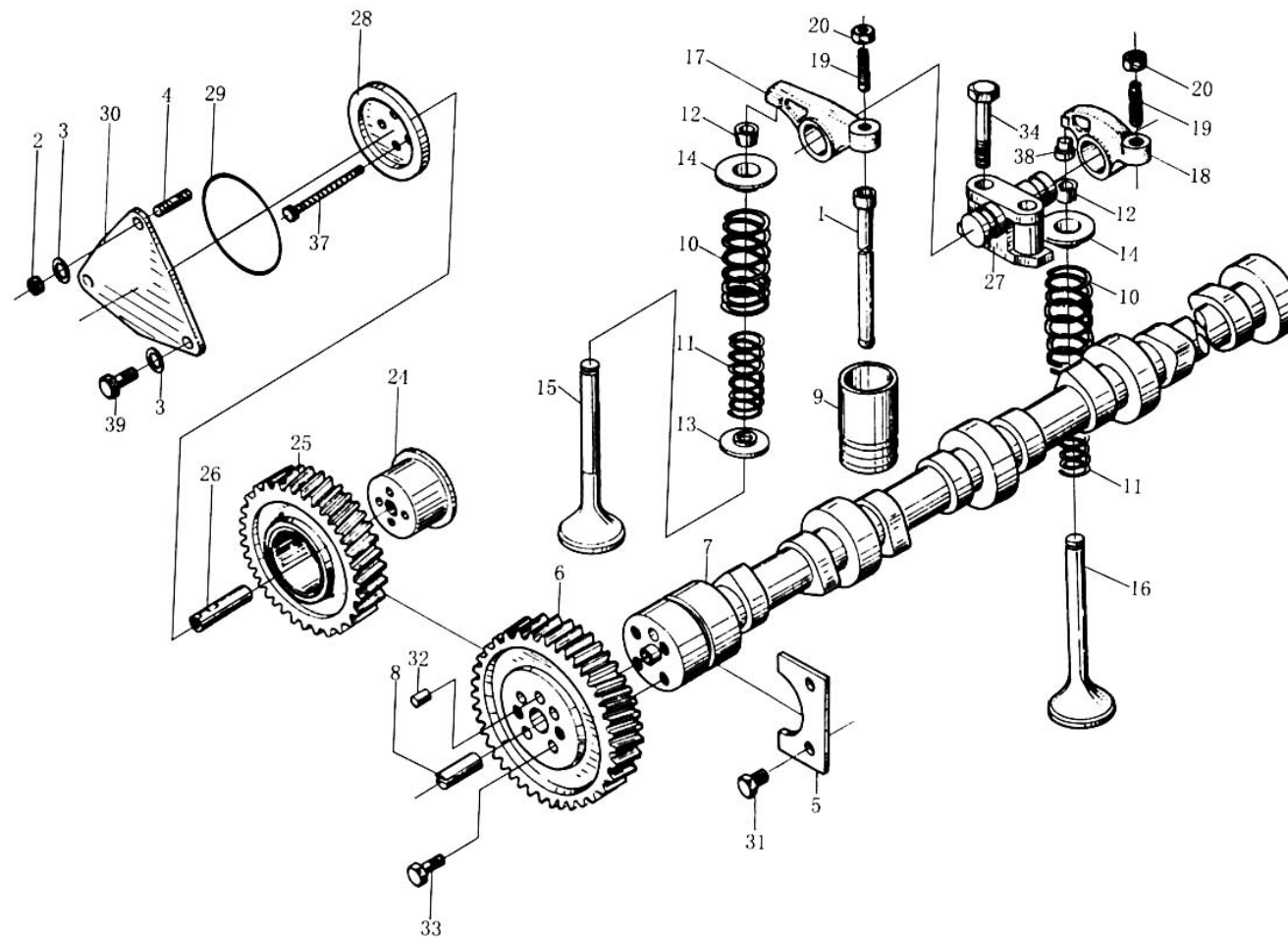
10-CC



序号 No.	件号 Part No.	数量 Quantity	名称 Name	规格 Specification	适用产品 Products Applied	备注 Remark
11	615 00 05 0001	12	气门内弹簧 Valve Inner Spring			
12	815 00 05 0021	24	气门锁夹 Valve Collet			
13	614 05 0017	6	进气门弹簧下座 Intake Valve Spring Lower Seat			
14	615 00 05 0007	12	气门弹簧上座 Valve Spring Upper Seat			
15	614 60 05 007	6	进气门 Intake Valve			
16	615 60 05 0041	6	排气门 Exhaust Valve			
17	614 05 0048	6	进气门摇臂 Intake Valve Rocker Arm			
18	614 05 0049	6	排气门摇臂 Exhaust Valve Rocker Arm			
19	614 05 0010	12	气门间隙调整螺钉 Valve Clearance Adjusting Screw			
20	2130050065	12	气门间隙调整螺钉 Valve Clearance Adjusting Screw			
24	615 60 05 0044	1	中间齿轮轴 Middle Gear Shaft			
25	615 60 05 0053	1	中间齿轮总成 Middle Gear Assembly			
26	615 60 05 0058	1	轴 Shaft			
27	614 05 0119	6	气门摇臂座 Valve Rocker Arm Seat			

## 配气机构 / VALVE MECHANISM

10-CC



发动机系统 / ENGINE SYSTEM

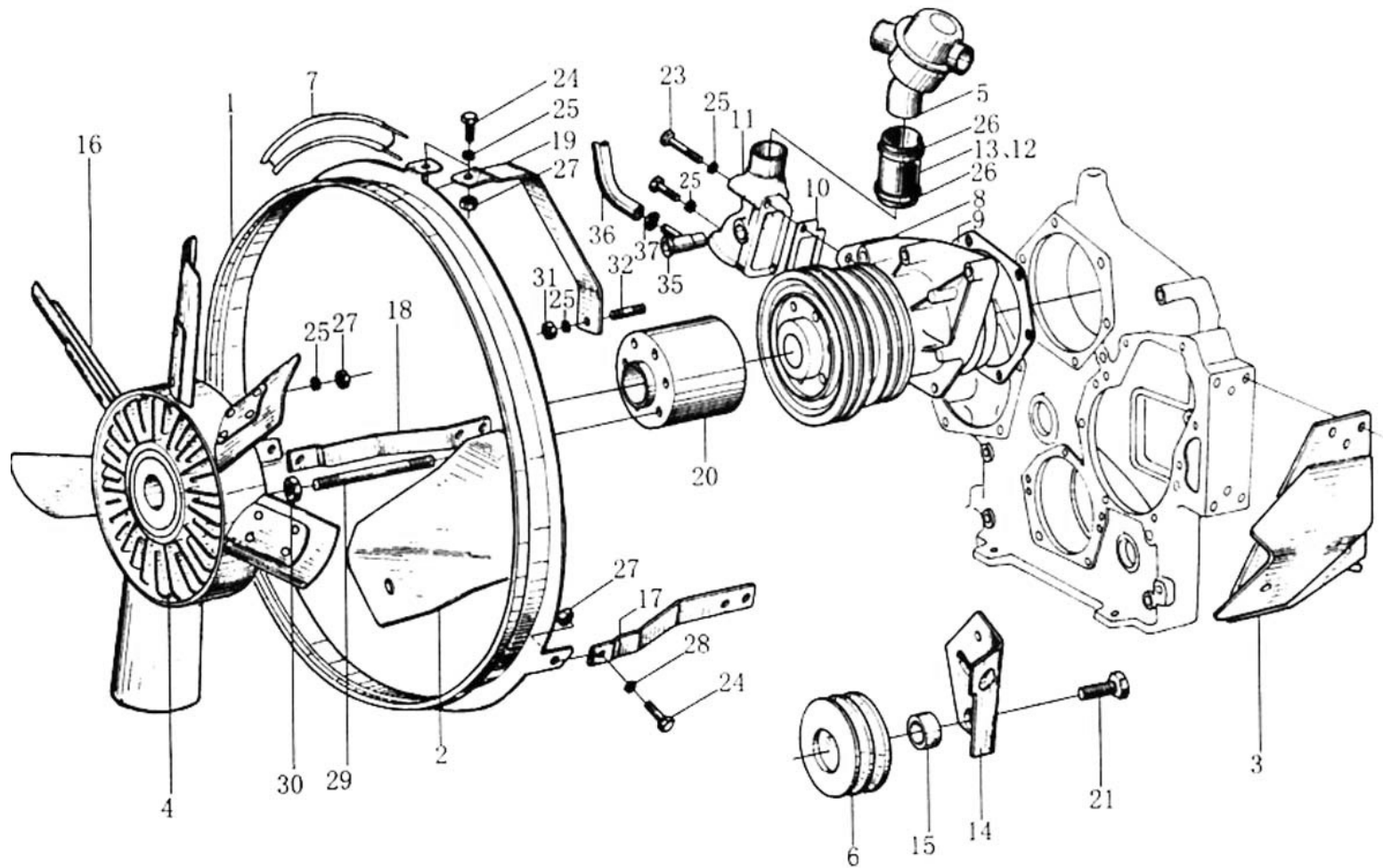
10-240

序号 No.	件号 Part No.	数量 Quantity	名称 Name	规格 Specification	适用产品 Products Applied	备注 Remark
28	615 60 05 0045	1	挡板 Baffle			
29	900 03 12 0602	1	密封圈 Seal Ring			
30	615 60 05 0046A	1	盖板 Cover Plate			
31	900 03 80 2411	2	六角头螺栓 Hexagon Head Bolt	M8×16DIN 933-808ZN		
32	900 03 90 1409	1	圆柱销 Cylindrical Pin	8M6×12 DIN7		
33	900 03 80 2443	4	六角头螺栓 Hexagon Head Bolt	M8×20 DIN933- 10.9ZN		
34	900 03 80 2655	12	六角头螺栓 Hexagon Head Bolt	M12×60 DIN933- 10.9ZN		
37	615 60 05 0059	4	六角头螺栓 Hexagon Head Bolt			
38	615 00 05 0105	12	气门帽 Valve Cap			
39	900 03 86 2419	1	六角圆柱头螺栓 Hexagon Cap Head Bolt			



## 水泵和风扇 / WATER PUMP AND FAN

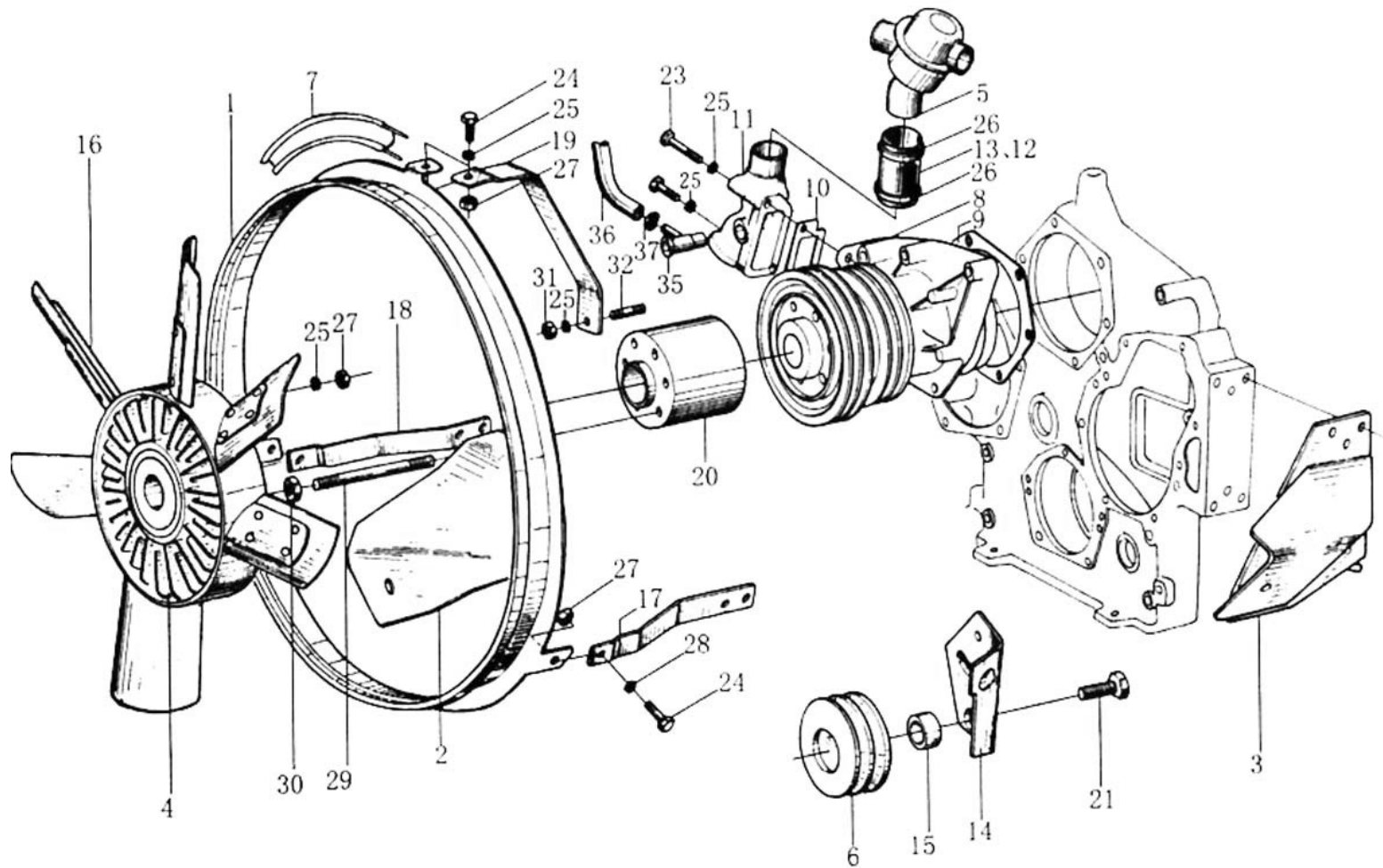
10-CD



序号 No.	件号 Part No.	数量 Quantity	名称 Name	规格 Specification	适用产品 Products Applied	备注 Remark
2	991 00 59 0006	1	左支架 Bracket LH		WD615 4、WD615 56、WD615 34、 WD615 38	
3	911 00 59 0009	1	右支架 Bracket RH			
4	615 00 06 0226	1	硅油离合器风扇 Silicon oil Clutch Fan			
5	614 06 0135	1	节温器总成 Thermostat Assembly			
6	615 60 06 0069	1	张紧轮总成 Tensioner Pulley Assembly			
8	612 00 06 60260	1	水泵总成 Water Pump Assembly			
9	614 06 0008	1	水泵密封垫 Water Pump Gasket			
10	614 06 0024	1	水管接头垫片 Water Pipe Connector Shim			
11	615 60 06 0022A	1	水管接头 Water Pipe Connector			
12	610 00 06 0262	1	胶管 Rubber Tube			
13	610 00 06 0276	1	橡胶管 Rubber Tube			
14	615 60 06 0021	1	张紧轮支撑 Tensioner Pulley Support			
15	615 06 0160	1	隔套 Spacing Sleeve			
16	615 00 06 0131	1	风扇 Fan			

## 水泵和风扇 / WATER PUMP AND FAN

10-CD



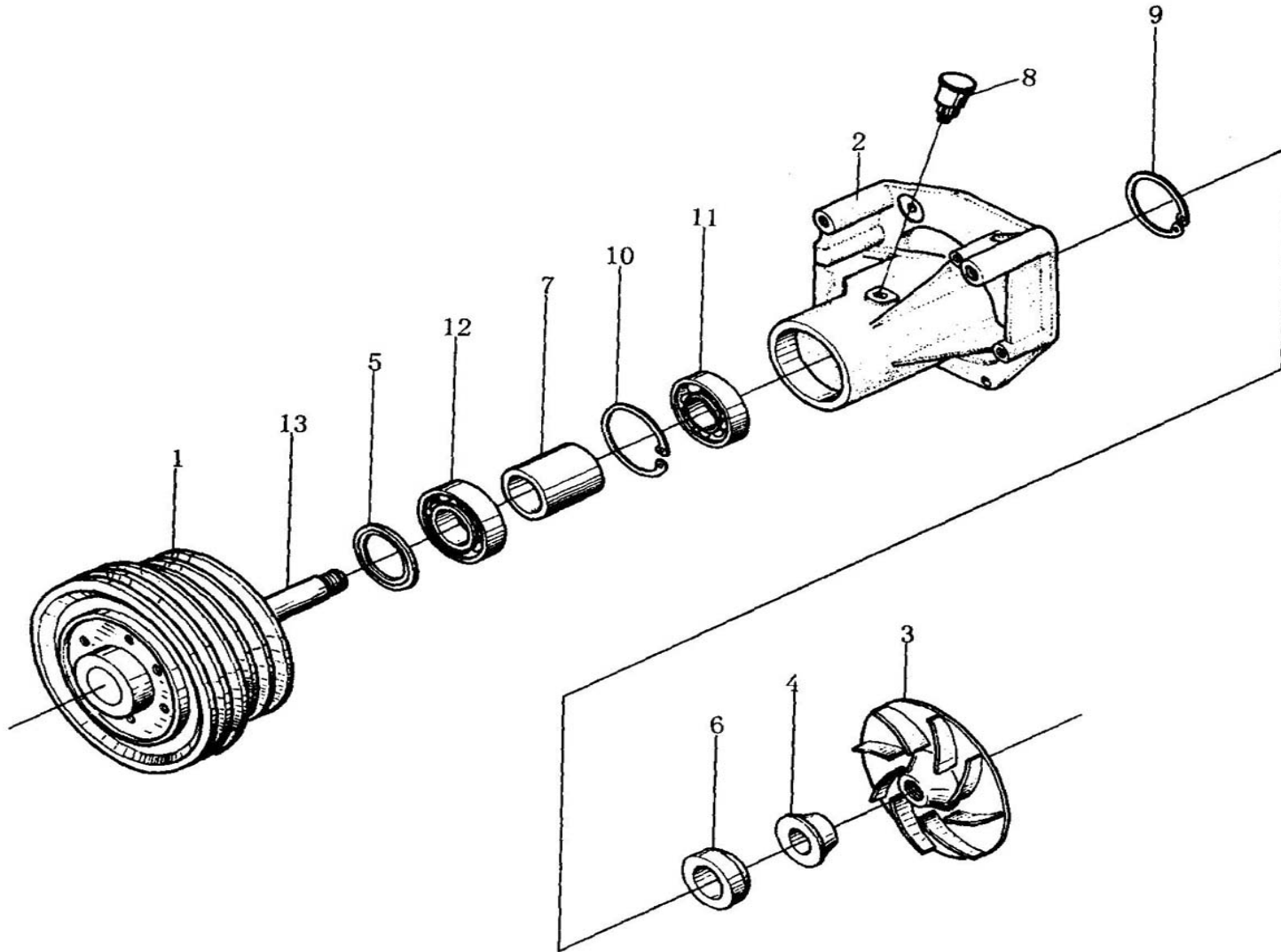
发动机系统 / ENGINE SYSTEM

10-244

序号 No.	件号 Part No.	数量 Quantity	名称 Name	规格 Specification	适用产品 Products Applied	备注 Remark
20	615 00 06 0239	1	中间法兰 Middle Flange			
21	900 03 80 2672	1	六角头螺栓 Hexagon Head Bolt			
23	900 03 80 0467	1	六角头螺栓 Hexagon Head Bolt	M8×75 DIN 931		
26	900 03 98 9306	4	软管卡箍 Hose Retaining Ring	38/54 N05074		
35	AZ1560060001	1	管接头组件 Pipe Union Set			
36	612 60 01 30025	1	带纤维夹层橡胶软管 Rubber Hose w/Fiber Sandwich			
37	900 03 98 9336	2	软管卡箍 Hose Retaining Ring	16/22 N05074ZN		

## 水泵总成 / WATER PUMP ASSEMBLY

10-CE



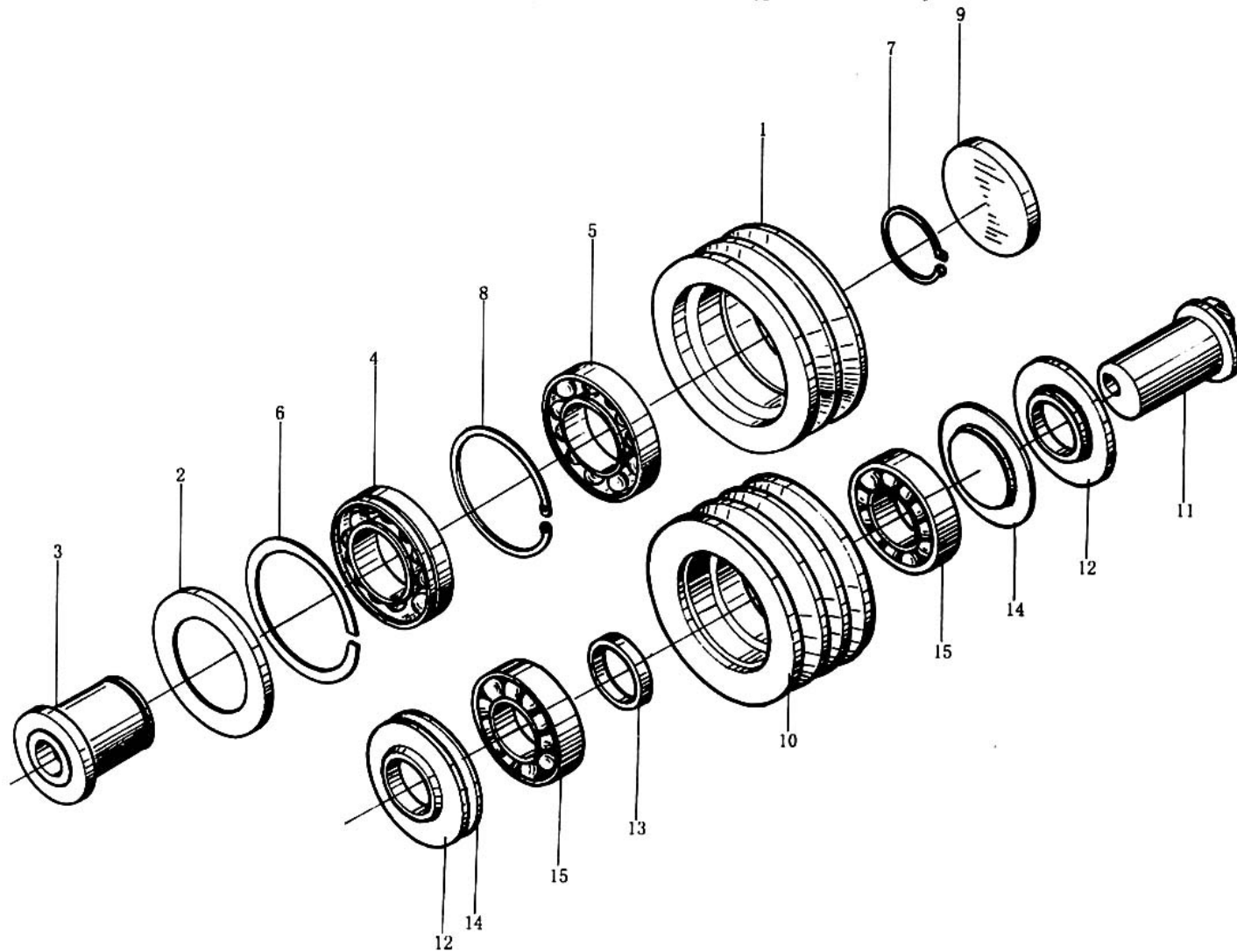
发动机系统 / ENGINE SYSTEM

10-246

序号 No.	件号 Part No.	数量 Quantity	名称 Name	规格 Specification	适用产品 Products Applied	备注 Remark
2	615 00 06 0234	1	水泵体 Water Pump Body			
3	615 00 06 0249	1	水泵叶轮 Water Pump Impeller			
6	612 00 06 2034	1	水封 Water Seal			
7	615 00 06 0200	1	支撑套 Support Sleeve			
8	612 60 00 60192	1	黄油杯总成 Grease Cup Assembly			
10	900 03 93 4311	1	孔用弹性挡圈 Spring Retainer Ring For Hole	62×3 DIN 472		
11	900 03 31 1179	1	向心球轴承 Radial Ball Bearing	620RSC 3 DIN625		
12	900 03 32 0110	1	圆柱滚子轴承 Cylindrical Roller Bearing			
13	615 00 06 0248	1	轴 Shaft			
	615 00 06 0124	1	皮带轮 Pulley			

## 张紧轮总成 / TENSIONER PULLEY ASSEMBLY

10-CF



发动机系统 / ENGINE SYSTEM

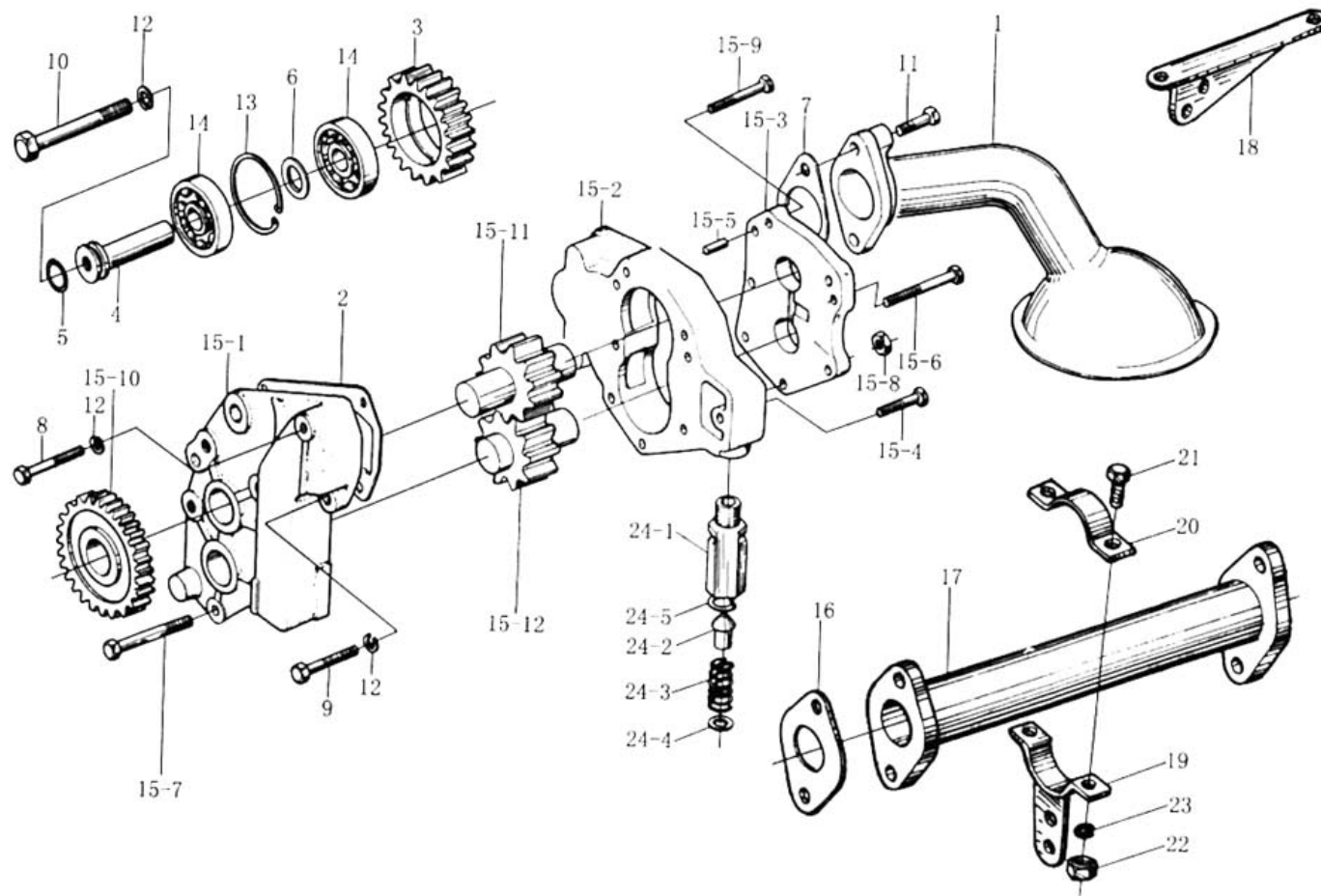
10-248

序号 No.	件号 Part No.	数量 Quantity	名称 Name	规格 Specification	适用产品 Products Applied	备注 Remark
10	615 60 06 0070	1	张紧轮 Tensioner Pulley			
11	615 60 06 0071	1	偏心销 Eccentric Pin			
12	615 60 06 0072	1	盖 Cover			
13	615 60 06 0073	1	隔套 Spacing Sleeve			
14	615 60 06 0074	1	防护圈 Protecting Ring			
15	900 03 31 0067	1	向心球轴承 Radial Ball Bearing			



## 机油泵和机油滤清器 (一) / OIL PUMP AND OIL FILTER I

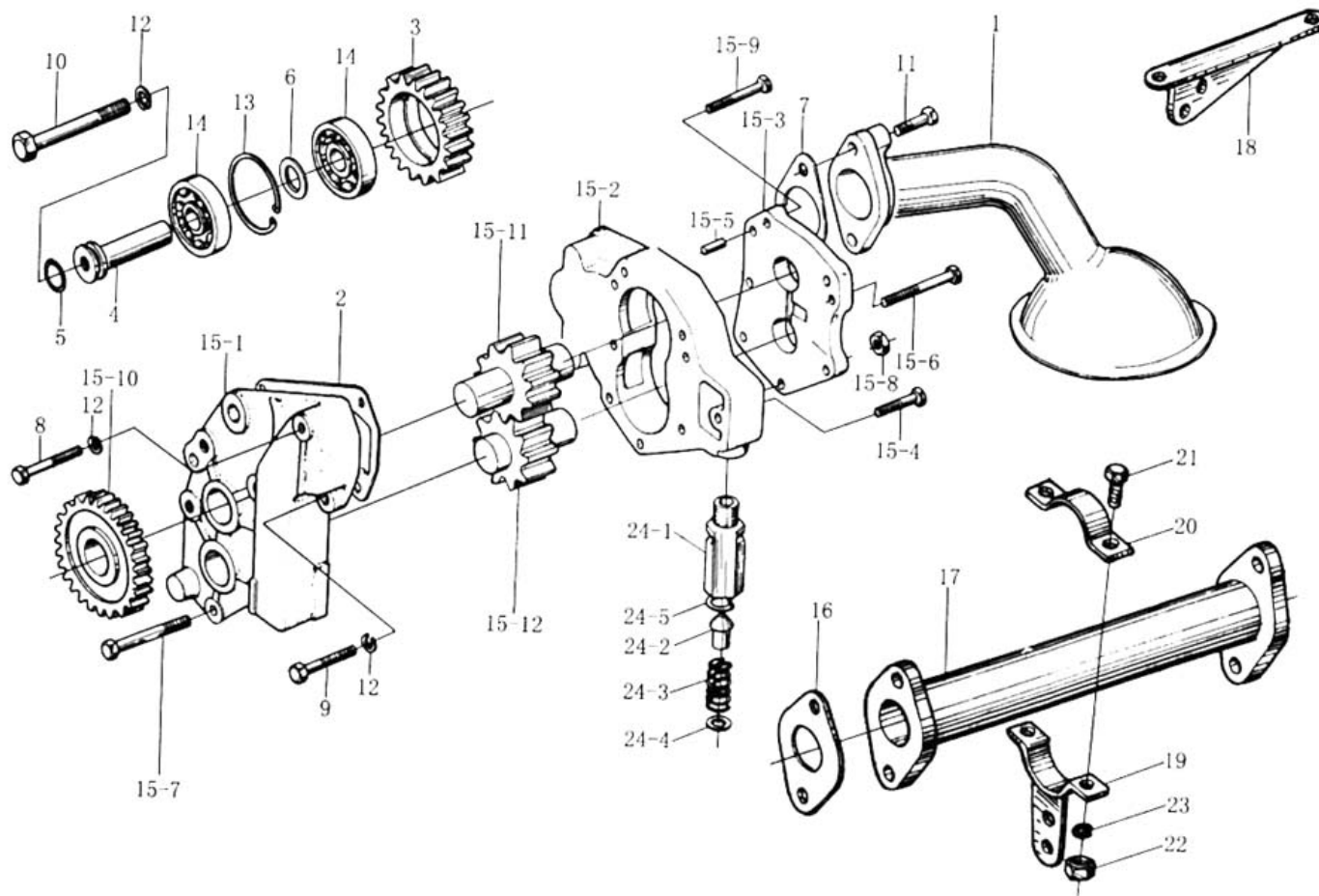
10-CG



序号 No.	件号 Part No.	数量 Quantity	名称 Name	规格 Specification	适用产品 Products Applied	备注 Remark
1	615 00 07 0082	1	集滤器总成 Pick-Up Screen Assembly			
2	614 07 0055	1	机油泵垫片 Oil Pump Shim			
3	614 07 0061	1	机油泵中间齿轮 Oil Pump Middle Gear			
4	614 07 56	1	中间齿轮轴 Middle Gear Shaft			
5	614 07 0155	1	密封圈 Seal Ring			
6	614 07 49	1	中间隔圈 Center Distance Washer			
7	614 07 78	1	垫片 Shim			
8	900 03 80 0551	1	六角头螺栓 Hexagon Head Bolt	M10×55 DIN931		
9	900 03 80 2527	1	六角头螺栓 Hexagon Head Bolt	M10×30 DIN931		
10	900 03 80 2578	1	六角头螺栓 Hexagon Head Bolt	M10×95 DIN931		
11	900 03 80 2523	2	六角头螺栓 Hexagon Head Bolt	M10×25 DIN931		
12	900 03 93 1122	2	弹簧垫圈 Spring Washer	B10 DIN 127		
13	900 03 93 4732	1	带凸齿的孔用挡圈 Snap Ring With Gear For Hole	47×1075 DIN 984		
14	900 03 31 1410	2	向心球轴承 Radial Ball Bearing	6303 DIN625		

## 机油泵和机油滤清器 (一) / OIL PUMP AND OIL FILTER I

10-CG



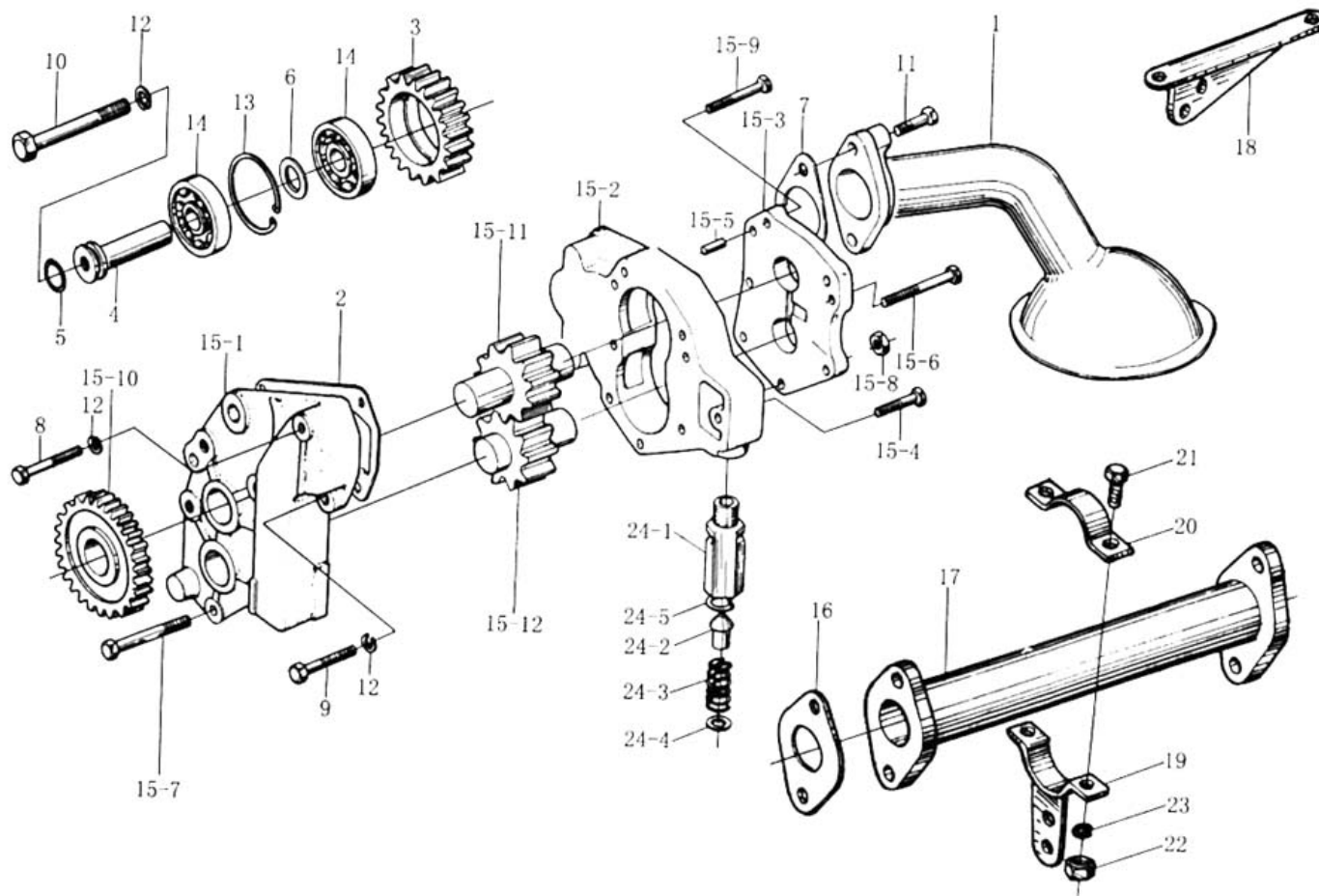
发动机系统 / ENGINE SYSTEM

10-252

序号 No.	件号 Part No.	数量 Quantity	名称 Name	规格 Specification	适用产品 Products Applied	备注 Remark
15	AZ150070021	1	机油泵总成 Oil Pump Assembly	齿宽 44.98 Tooth Width44.98		
15-1	615 00 07 0029	1	机油泵前盖 Oil Pump Front Cover			
15-2	AZ1500070015	1	机油泵壳体 Oil Pump Case Body			
15-3	615 00 07 0024	1	机油泵后盖 Oil Pump Rear Cover			
15-4	900 03 80 0441	1	六角头螺栓 Hexagon Head Bolt	M8×45 DIN 931		
15-5	900 03 90 1420	4	圆柱销 Cylindrical Pin	8M6×20 DIN7		
15-6	900 03 80 0458	4	六角头螺栓 Hexagon Head Bolt	4M8×70 DIN931		
15-7	900 03 80 0465	1	六角头螺栓 Hexagon Head Bolt	M8×80 DIN931		
15-8	900 03 87 1252	1	I 型六角螺母 Hexagon Full Nut	M8 DIN934		
15-9	AZ90003860010	1	内六角圆柱头螺钉 Hexagon Socket Cap Head Screw	M8×65 DIN931		
15-10	614 07 0060	1	机油泵驱动齿轮 Oil Pump Drive Gear			
15-11	AZ1500070019	1	机油泵齿轮总成 Oil Pump Gear Assembly			
15-12	AZ1500070020	1	机油泵齿轮总成 Oil Pump Gear Assembly			
24	615 00 07 0099	1	机油泵限压阀总成 Oil Pump Pressure Limiting Valve Assembly			

## 机油泵和机油滤清器 (一) / OIL PUMP AND OIL FILTER I

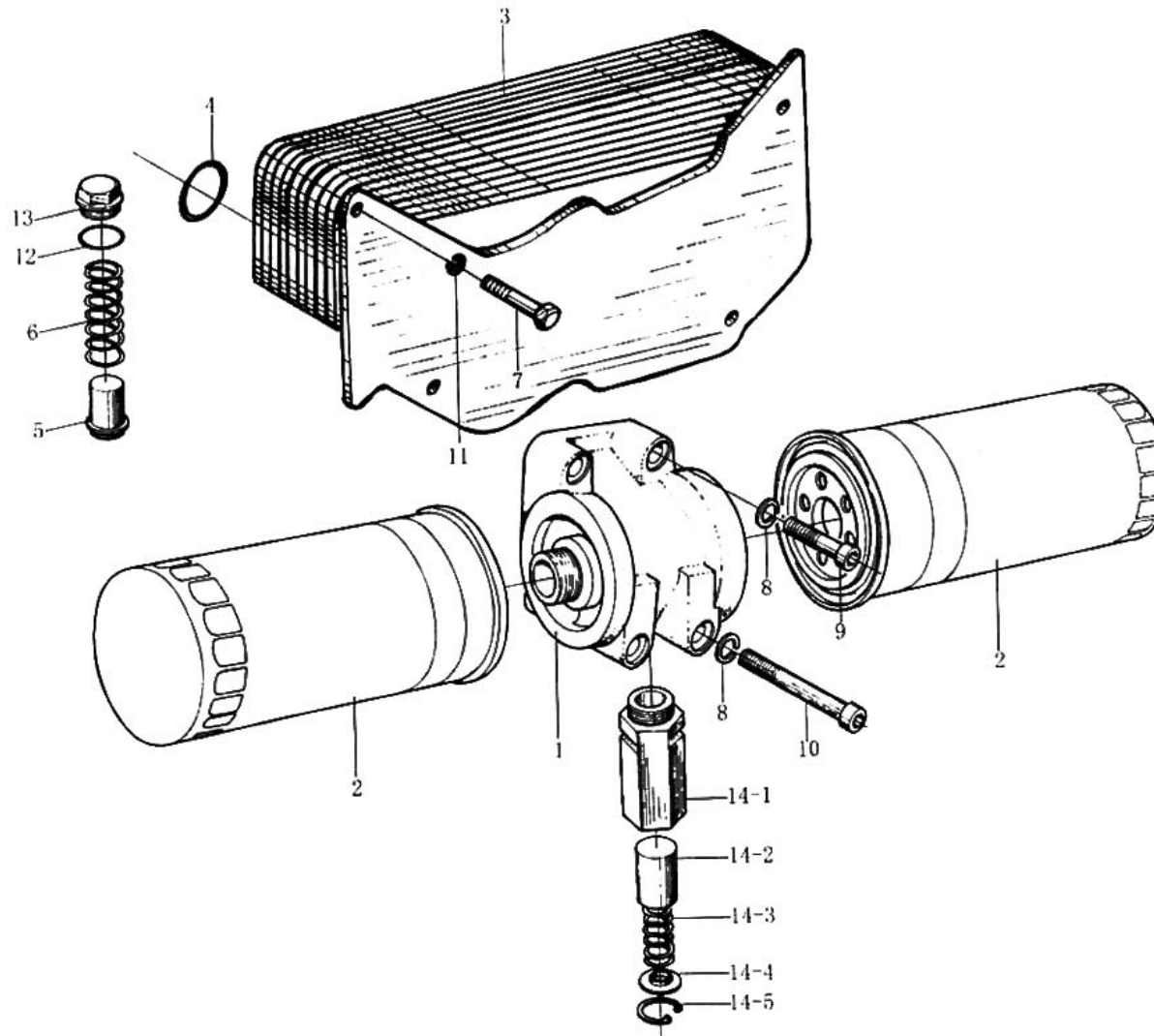
10-CG



序号 No.	件号 Part No.	数量 Quantity	名称 Name	规格 Specification	适用产品 Products Applied	备注 Remark
24-1	615 00 07 0098	1	限压阀体 Pressure Limiting Valve Body			
24-2	614 07 0130	1	限压阀 Pressure Limiting Valve			
24-3	614 07 0131	1	弹簧 Spring			
24-4	681 27 0027	1	垫片 Shim			
24-5	AZ9003930011	1	孔用弹性挡圈 Spring Retainer Ring For Hole			

## 机油泵和机油滤清器 (二) / OIL PUMP AND OIL FILTER II

10-CH



发动机系统 / ENGINE SYSTEM

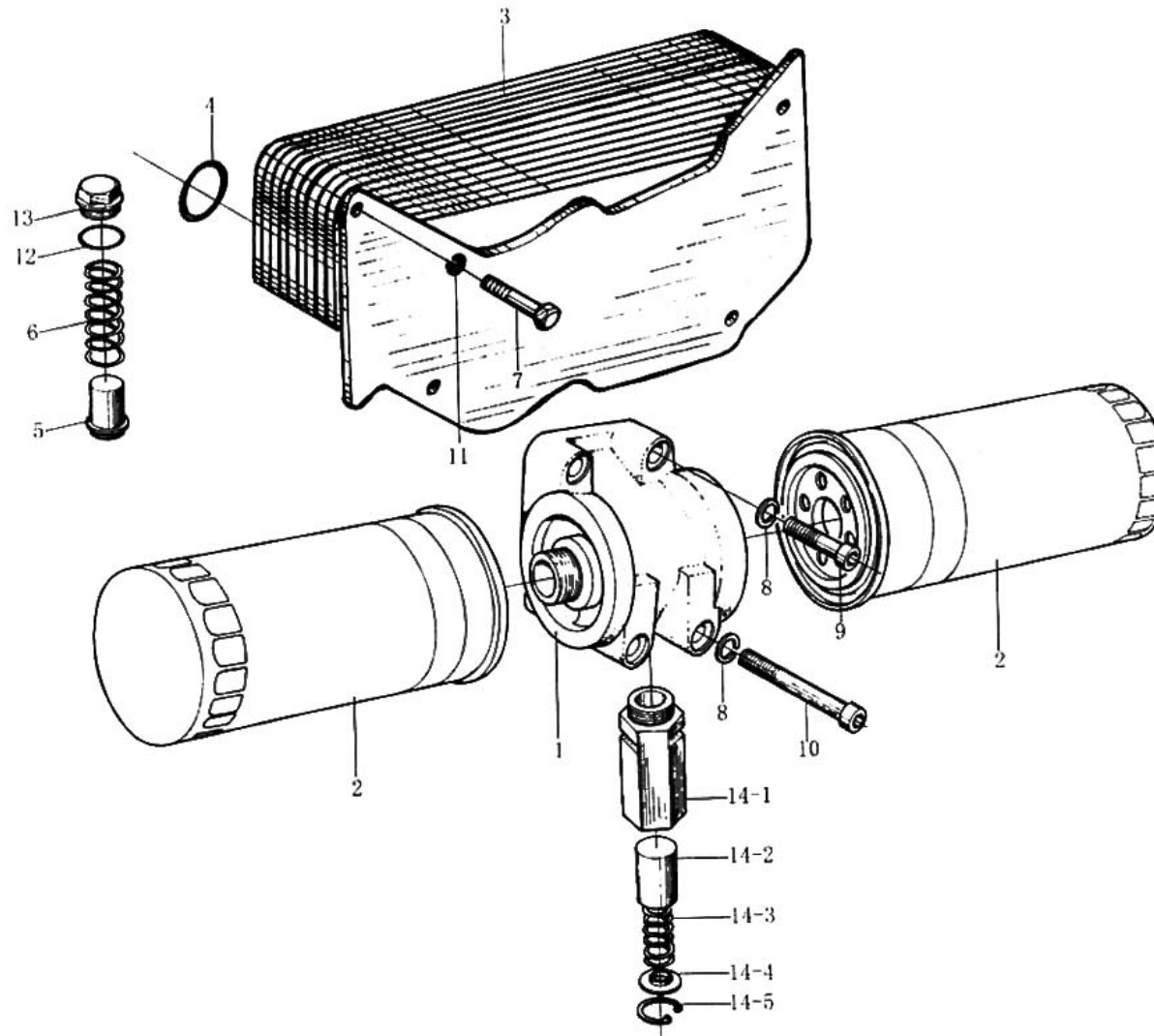
10-256

序号 No.	件号 Part No.	数量 Quantity	名称 Name	规格 Specification	适用产品 Products Applied	备注 Remark
1	615 00 07 0051	1	滤清器座组件 Oil Filter Seat Set			
2	610 00 07 0005	2	旋转式机油滤芯总成 Rotating Oil Filter Element Assembly			
3	615 00 01 0334	1	机油冷却器芯总成 Oil Cooler Element Assembly			
4	814 00 01 0032	2	密封圈 Seal Ring			
5	614 07 0069	1	安全阀 Safety Valve			
6	614 07 0068	1	安全阀弹簧 Safety Valve Spring			
7	900 03 80 2455	8	六角头螺栓 Hexagon Head Bolt	M8×55 DIN933-808ZN		
8	900 03 86 2023	4	波型弹性垫圈 Wavy Spring Washer	B8 DIN 137ZN		
9	900 03 86 2443	2	内六角圆柱头螺钉 Hexagon Socket Cap Head Screw	M8×40 DIN912-808ZN		
10	900 03 86 2482	2	内六角圆柱头螺钉 Hexagon Socket Cap Head Screw	M8×90 DIN912-808ZN		
11	900 03 43 0261	8	小垫圈 Small Washer	A8.4 DIN 125ZN		
12	900 03 09 8086	1	密封圈 Seal Ring	A30×36 DIN 7603Cu		
13	900 03 96 2051	1	六角头螺塞 Hexagon Head Plug	CM30×1.5 DIN7604 55.8ZN		
14	AZ1500070097	1	主油道限压阀总成 Oil Main Line Pressure Limiting Valve Assembly			



## 机油泵和机油滤清器 (二) / OIL PUMP AND OIL FILTER II

10-CH



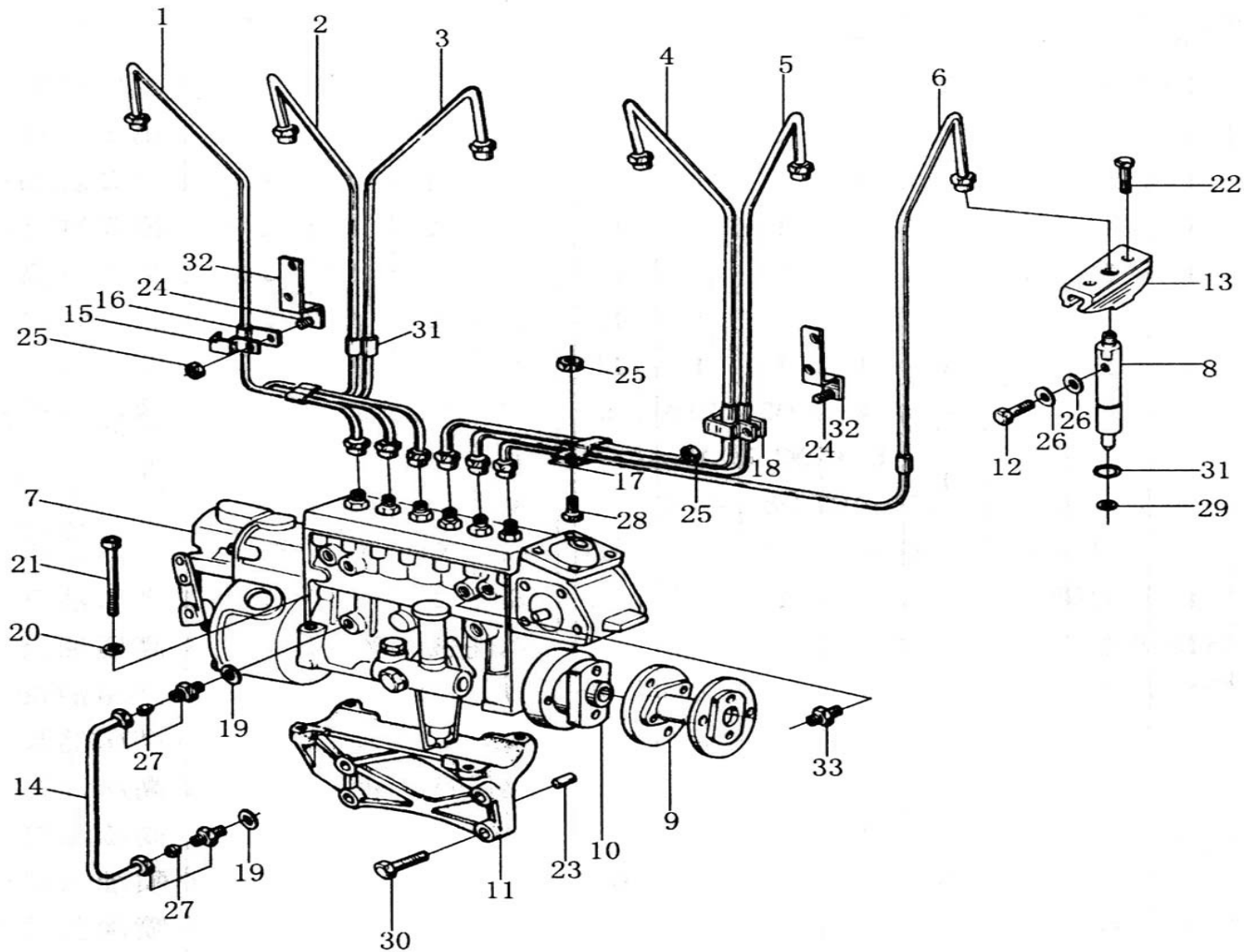
发动机系统 / ENGINE SYSTEM

10-258

序号 No.	件号 Part No.	数量 Quantity	名称 Name	规格 Specification	适用产品 Products Applied	备注 Remark
14-1	AZ1500070096	1	阀体 Valve Body			
14-2	407 07 0032	1	阀 Valve			
14-3	407 07 0034	1	主油道限压阀弹簧座 Oil Main Line Pressure Limiting Valve Spring Seat			
14-4	4139070059	1	主油道限压阀弹簧 Oil Main Line Pressure Limiting Valve Spring			
14-5	AZ90003930012	1	孔用弹性挡圈 Spring Retainer Ring For Hole			

## 喷油泵高压油管 / FUEL INJECTION PUMP HIGH PRESSURE PIPE

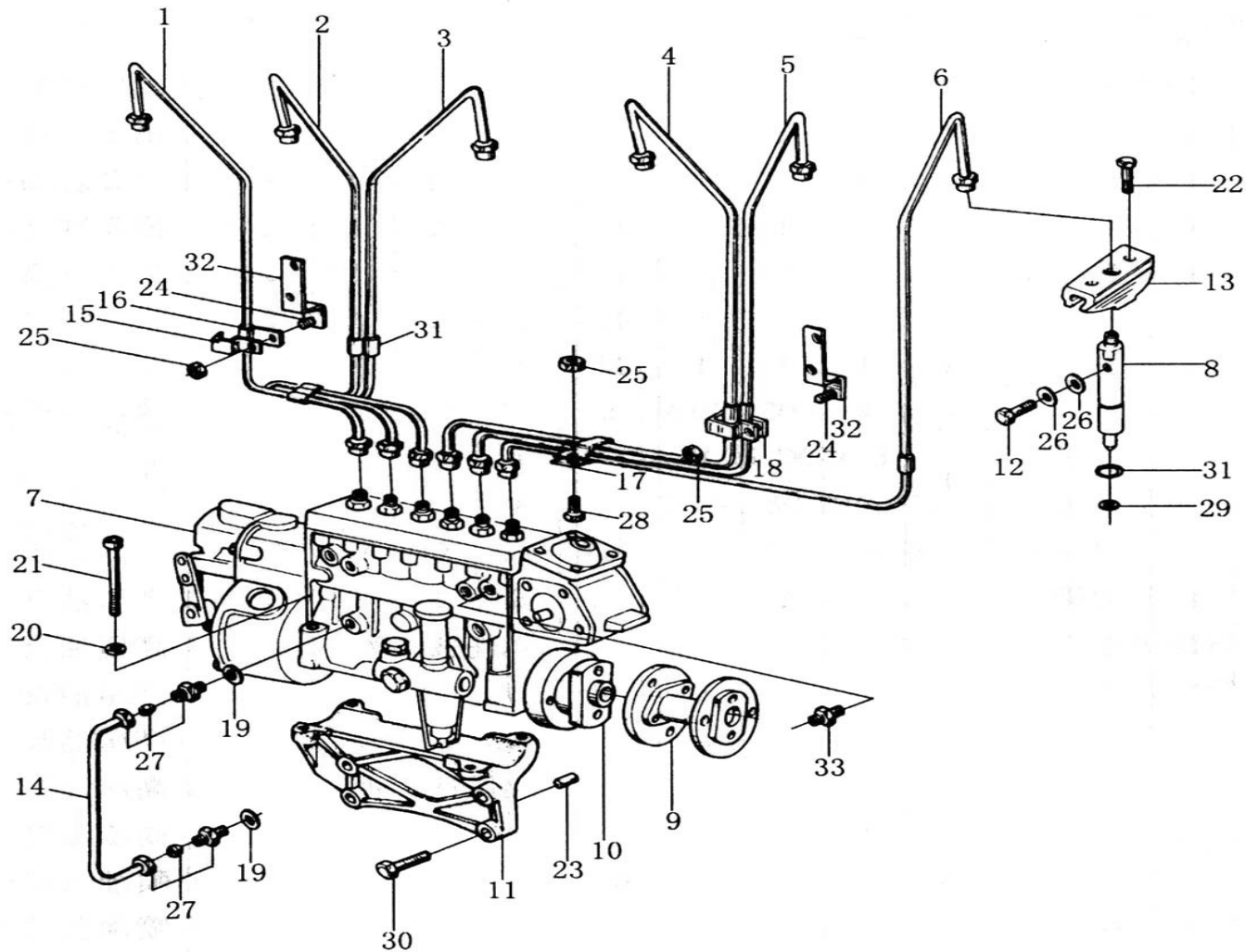
10-C1



序号 No.	件号 Part No.	数量 Quantity	名称 Name	规格 Specification	适用产品 Products Applied	备注 Remark
	615 60 08 0278	1	高压油管组 High Pressure Pipe Set			
1	615 60 08 0278-1	1	第 1 缸高压油管组总成 No.1 Cylinder High Pressure Pipe Assembly			
2	615 60 08 0278-2	1	第 2 缸高压油管组总成 No.2 Cylinder High Pressure Pipe Assembly			
3	615 60 08 0278-3	1	第 3 缸高压油管组总成 No.3 Cylinder High Pressure Pipe Assembly			
4	615 60 08 0278-4	1	第 4 缸高压油管组总成 No.4 Cylinder High Pressure Pipe Assembly			
5	615 60 08 0278-5	1	第 5 缸高压油管组总成 No.5 Cylinder High Pressure Pipe Assembly			
6	615 60 08 0278-6	1	第 6 缸高压油管组总成 No.6 Cylinder High Pressure Pipe Assembly			
7	612 60 00 81154	1	高压油泵 High Pressure Oil Pump		WD615 56	
	612 60 00 90293	1	高压油泵 High Pressure Oil Pump		WD615 38	
	615 60 08 0282	1	高压油泵 High Pressure Oil Pump		WD615 46、WD615 34	
	615 60 00 83082	1	高压油泵 High Pressure Oil Pump			可选 Option
	615 60 00 87082	1	高压油泵 High Pressure Oil Pump			可选 Option
8	615 60 08 0276	6	喷油器总成 Fuel Injection Assembly		WD615 46、WD615 34、WD615 38	
	615 60 08 0305	6	喷油器总成 Fuel Injection Assembly		WD615 50、WD615 56	

## 喷油泵高压油管 / FUEL INJECTION PUMP HIGH PRESSURE PIPE

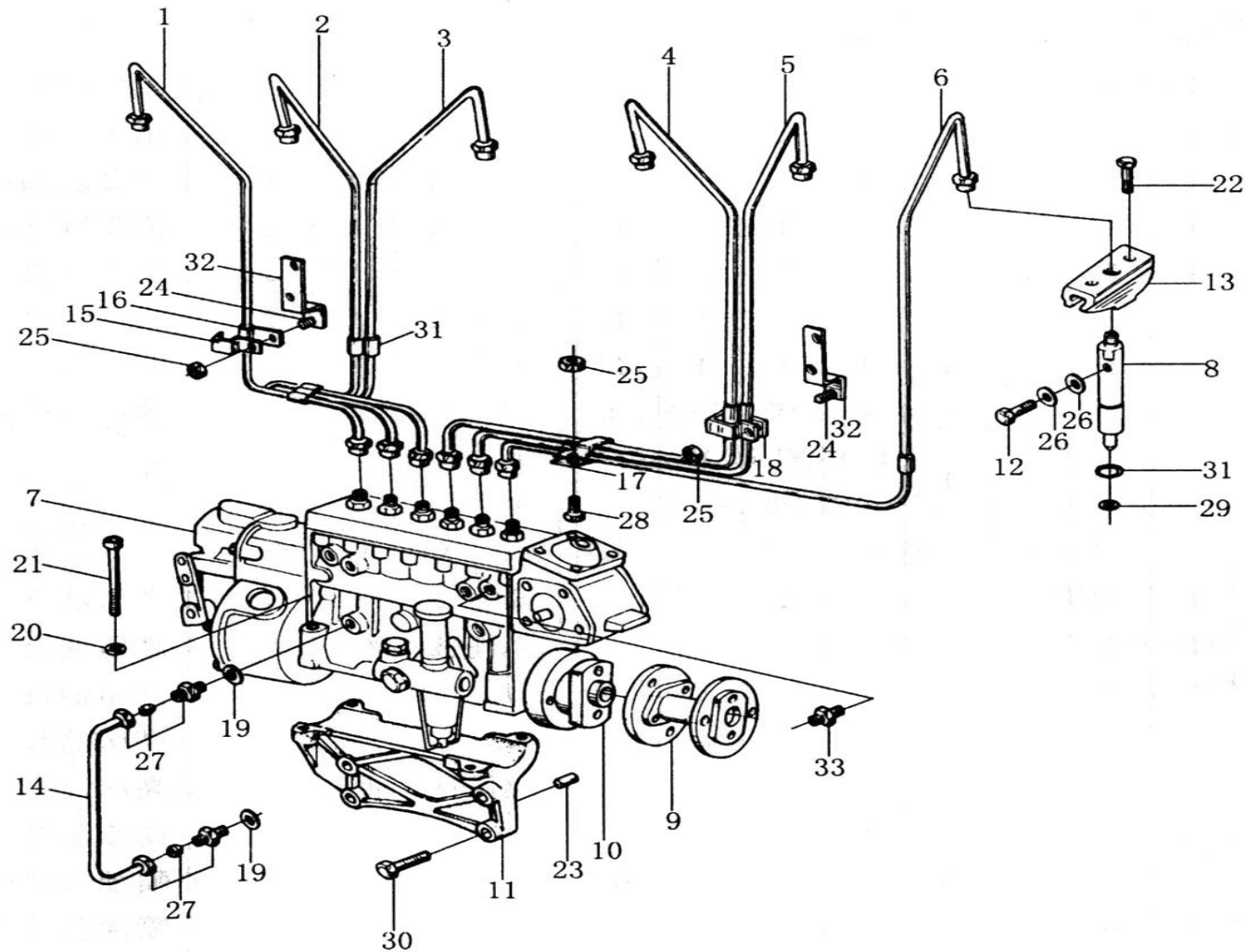
10-C1



序号 No.	件号 Part No.	数量 Quantity	名称 Name	规格 Specification	适用产品 Products Applied	备注 Remark
9	615 60 08 0275	1	联轴器法兰组件 Coupling Flange Set			
10	615 60 08 0261	1	法兰 Flange			
11	614 08 0074B	1	波许喷油泵托架 Bosch Injection Pump Tray			
12	615 00 08 0090	6	空心螺栓 Hollow Bolt			
13	615 00 08 0094A	6	空心螺栓 Hollow Bolt			
14	AZ1560070026	1	紧固压板 Fastening Plate			
15	614 08 0060	2	润滑油回油管总成 Lubricating Oil Return Pipe Assembly			
16	614 08 0061	2	管夹上片 Tube Clamp Upper Plate			
17	615 60 08 0173	2	管夹下片 Tube Clamp Lower Plate			
18	615 60 08 0174	2	管夹片 Tube Clamp Plate			
19	900 03 09 8015	12	管夹片 Tube Clamp Plate	A14×20 DIN 7603		
20	900 03 93 0271	4	密封垫圈 Seal Washer	A10.5 B00125		
21	900 03 86 2566	4	平垫圈 Plate Washer	M10×80 DIN912		
22	900 03 80 2455	12	内六角圆柱头螺栓 Hexagon Socket Cap Head Screw	M8×55 DIN933		

# 喷油泵高压油管 / FUEL INJECTION PUMP HIGH PRESSURE PIPE

10-C1

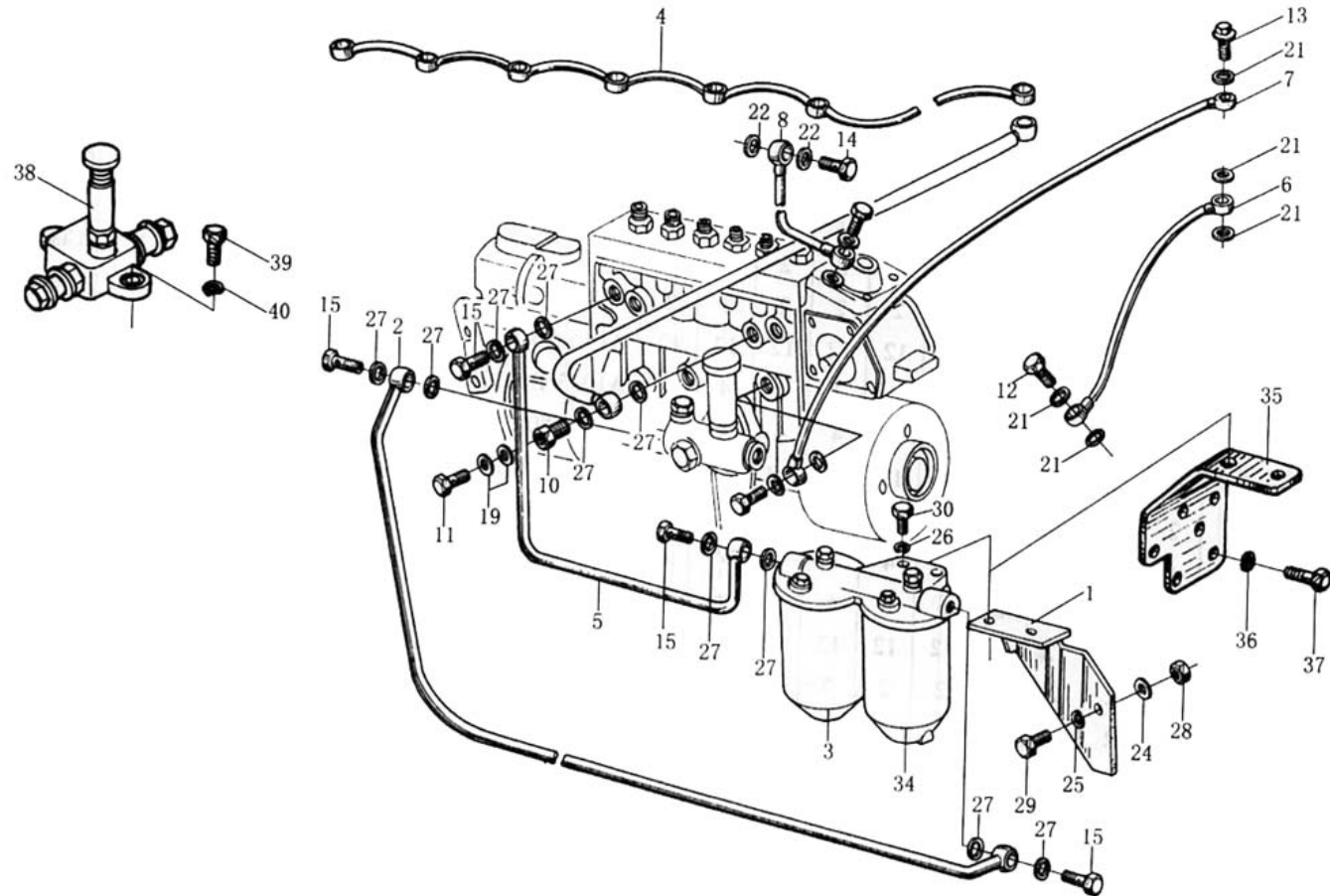


序号 No.	件号 Part No.	数量 Quantity	名称 Name	规格 Specification	适用产品 Products Applied	备注 Remark
23	900 03 90 1600	2	圆柱销 Cylindrical Pin	12M6×16		
24	900 03 80 2321	4	六角头螺栓 Hexagon Head Bolt	M6×16 DIN 933		
25	900 03 87 1232	6	I型六角螺母 Hexagon Full Nut	M6 DIN 934		
26	900 03 09 8018	12	密封垫圈 Seal Washer	A6.5×9.5 DIN7603		
27	900 03 55 9844	2	管接头 Pipe Union	CL10 DIN 2353		
28	900 03 80 2312	2	六角头螺栓 Hexagon Head Bolt			
29	614 08 0082	6	垫圈 Washer			
30	900 03 80 2650	4	六角头螺栓 Hexagon Head Bolt	M12×50 DIN 933		
31	609 07 0080	6	密封垫圈 Seal Washer			
32	615 60 08 0172	4	支承架 Support Bracket			
33	612 60 00 80213	1	单向阀 Check Valve			



## 油管 / OIL PIPE

10-CJ



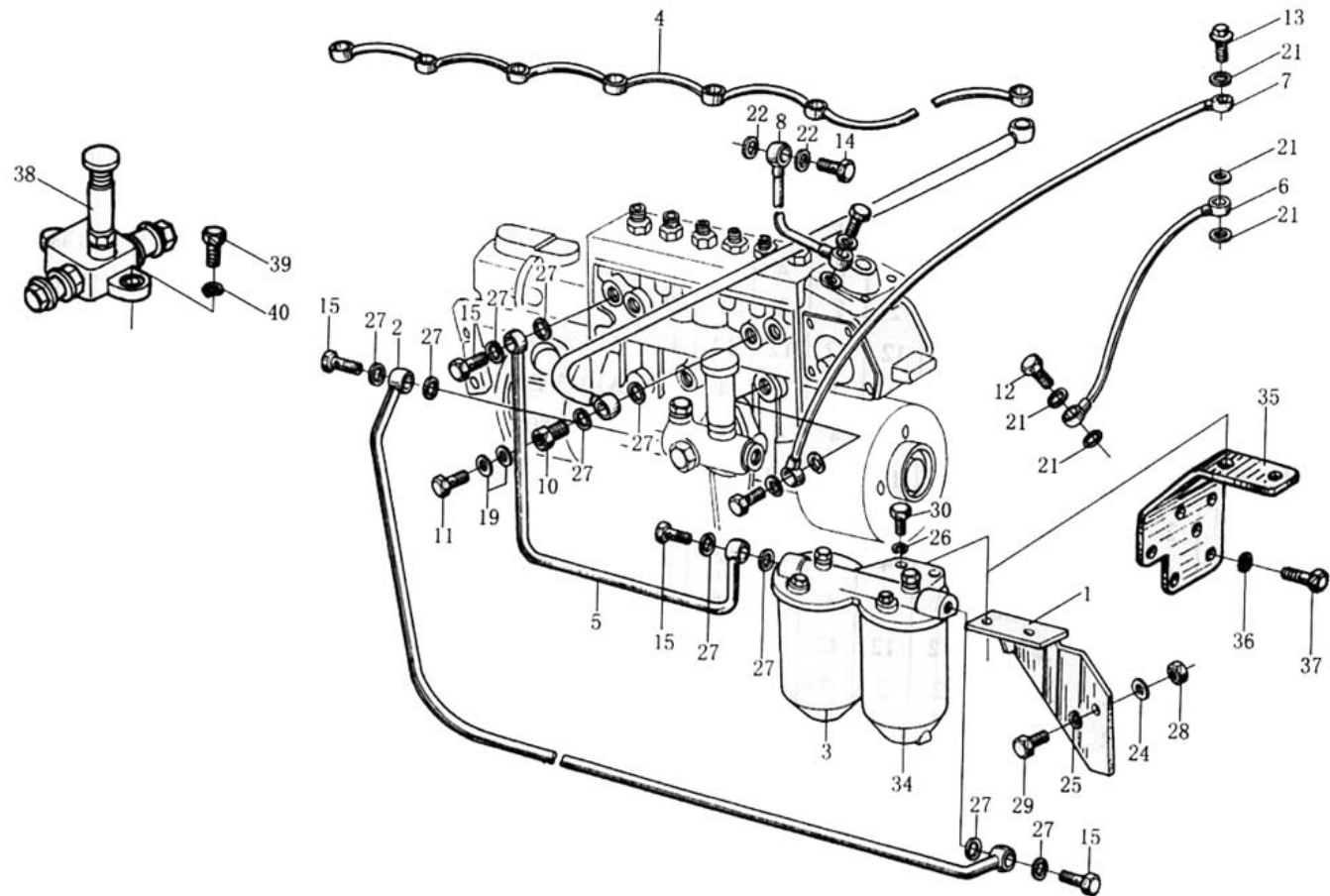
发动机系统 / ENGINE SYSTEM

10-266

序号 No.	件号 Part No.	数量 Quantity	名称 Name	规格 Specification	适用产品 Products Applied	备注 Remark
1	615 60 08 0094	1	柴滤托架组件 Diesel Filter Tray Set			
2	AZ1560080017	1	燃油管 Fuel Line			
3	614 08 0295A	1	燃油滤清器总成 Fuel Filter Assembly			
4	615 00 08 0095	1	回油管总成 Return Pipe			
5	AZ1560080018	1	燃油管 Fuel Line			
6	615 60 07 0011	1	润滑油进油管总成 Lubricating Inlet Pipe Assembly			
7	615 60 07 0012	1	润滑油进油管总成 Lubricating Inlet Pipe Assembly			
8	615 60 08 0159	1	空气管总成 Air Pipe Assembly			
10	609 08 37	1	空心螺栓 Hollow Bolt			
11	900 03 96 2603	1	空心螺栓 Hollow Bolt	A3 DIN 7623		
12	900 03 96 2607	2	空心螺栓 Hollow Bolt	A4 D07623		
13	815 00 07 0054	1	空心螺栓(波许系) Hollow Bolt(Bosch-Type)			
14	900 03 96 2612	2	空心螺栓(波许系) Hollow Bolt(Bosch-Type)	A6 D07623	WD615 44	
15	900 03 96 2621	4	空心螺栓(波许系) Hollow Bolt(Bosch-Type)	A8 D07623		

## 油管 / OIL PIPE

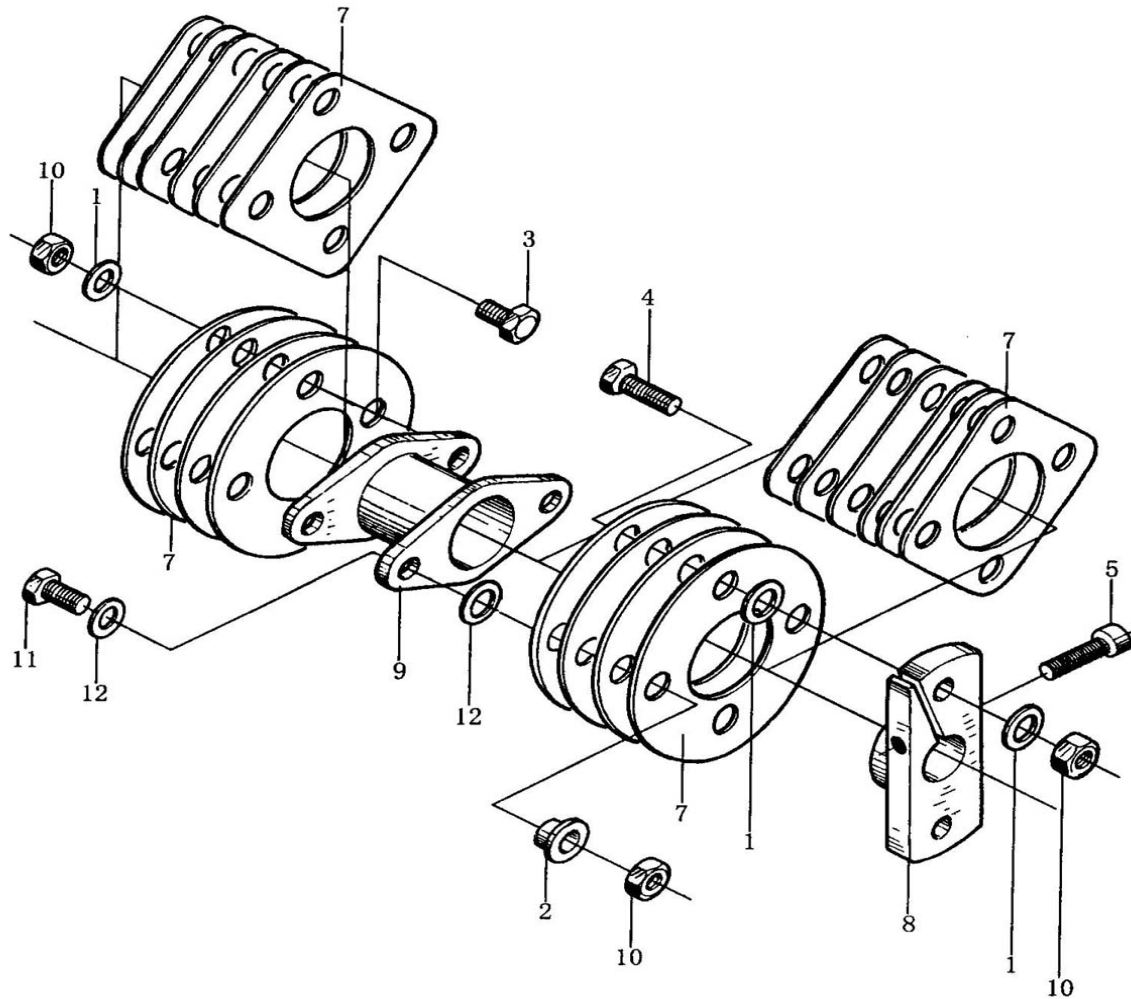
10-CJ



序号 No.	件号 Part No.	数量 Quantity	名称 Name	规格 Specification	适用产品 Products Applied	备注 Remark
19	900 03 09 8010	2	密封垫圈 Seal Washer	A8×11.5 DIN07603		
21	900 03 09 8010	7	密封垫圈 Seal Washer	A10×13.5 D07603	WD615 44	
22	900 03 09 8012	4	密封垫圈（波许系） Seal Washer(Bosch-Type)	A12×15.5 D07603		
24	900 03 93 0012	2	垫圈 Washer	10.5 DIN 7349		
25	900 03 93 2024	2	垫圈 Washer	B10 D00137		
26	900 03 932016	2	波型弹性垫圈 Wavy Spring Washer	B12 DIN 137		
27	612 60 00 80200	2	密封垫圈 Seal Washer			
28	900 03 88 8452	10	2型全金属六角锁紧螺母 2-Type All Metal Hexagon Full Lock Nut	VM10 DIN 980		
29	900 03 80 2523	2	六角头螺栓 Hexagon Head Bolt	M10×25 DIN 933		
30	900 03 80 2627	2	六角头螺栓（波许系） Hexagon Head Bolt(Bosch-Type)	M12×25 DIN 933		

## 联轴器总成 / COUPLING ASSEMBLY

10-CK



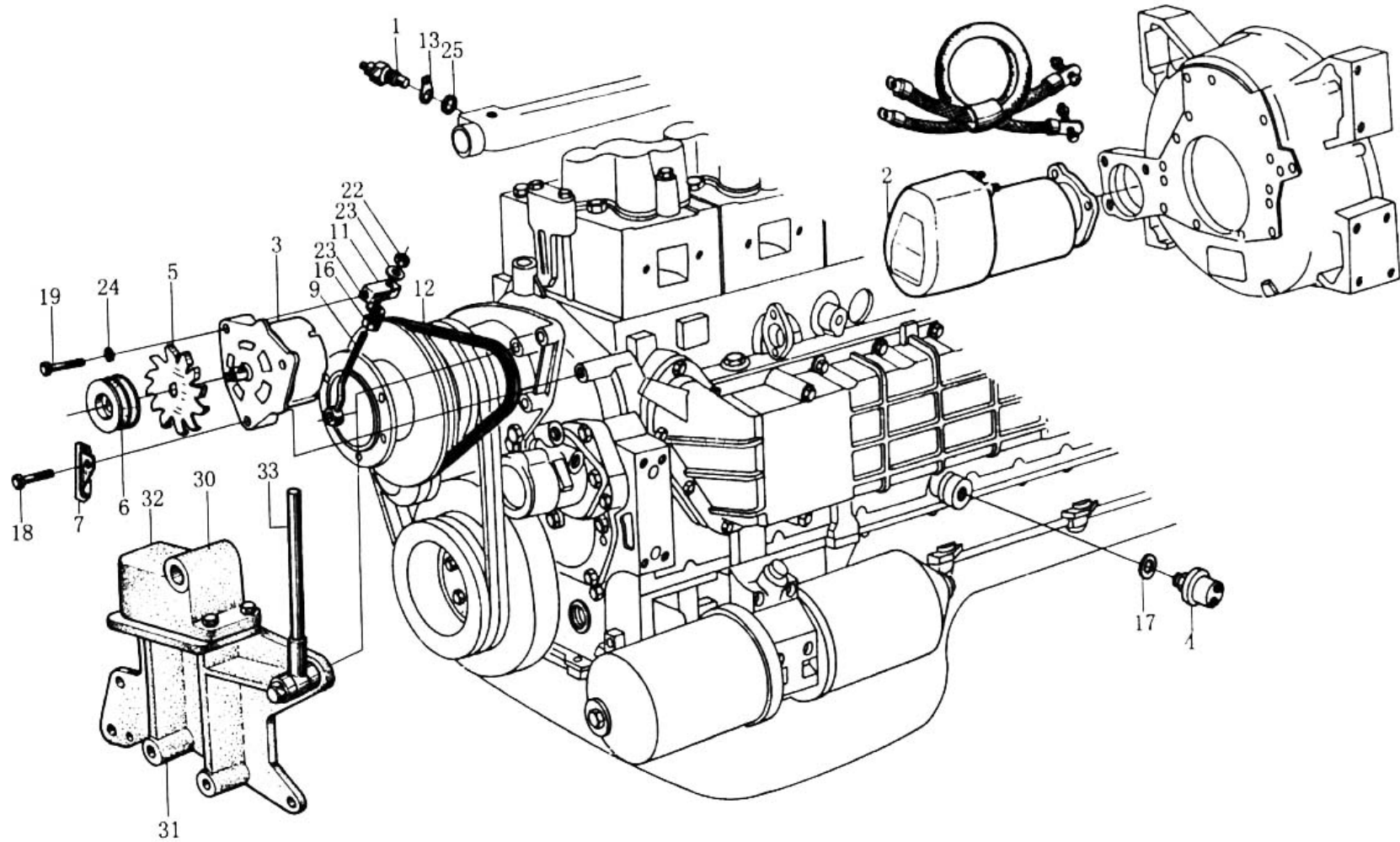
发动机系统 / ENGINE SYSTEM

10-270

序号 No.	件号 Part No.	数量 Quantity	名称 Name	规格 Specification	适用产品 Products Applied	备注 Remark
1	815 60 08 0271	8	垫圈 Washer			
2	815 60 08 0273	8	衬套 Bushing			
3	900 03 80 2637	4	六角头螺栓 Hexagon Head Bolt	DIN933-M12× 35-10.9-A3C		
	900 03 80 2639	2	六角头螺栓 Hexagon Head Bolt	M12×40		
4	900 03 80 0160	2	六角头螺栓 Hexagon Head Bolt	M12×50-10.9-A3C- DIN931		
5	AZ1560080001	1	六角头螺栓 Hexagon Head Bolt			
7	615 60 08 0219	12	弹性连接片 Elastic Connecting Plate			
8	815 60 08 0194	1	角度调整板 Angular Adjustment Plate			
9	615 60 08 0275	1	联轴器法兰组件 Coupling Flange Set			
10	900 09 87 1344	8	I 型六角螺母 Hexagon Full Nut	DIN934-M12-10- A3C		
12	900 03 93 0282	8	平垫圈 Plate Washer	DIN 125-A13-SFA3C		

## 电机装置 / MOTOR UNIT

10-CL



发动机系统 / ENGINE SYSTEM

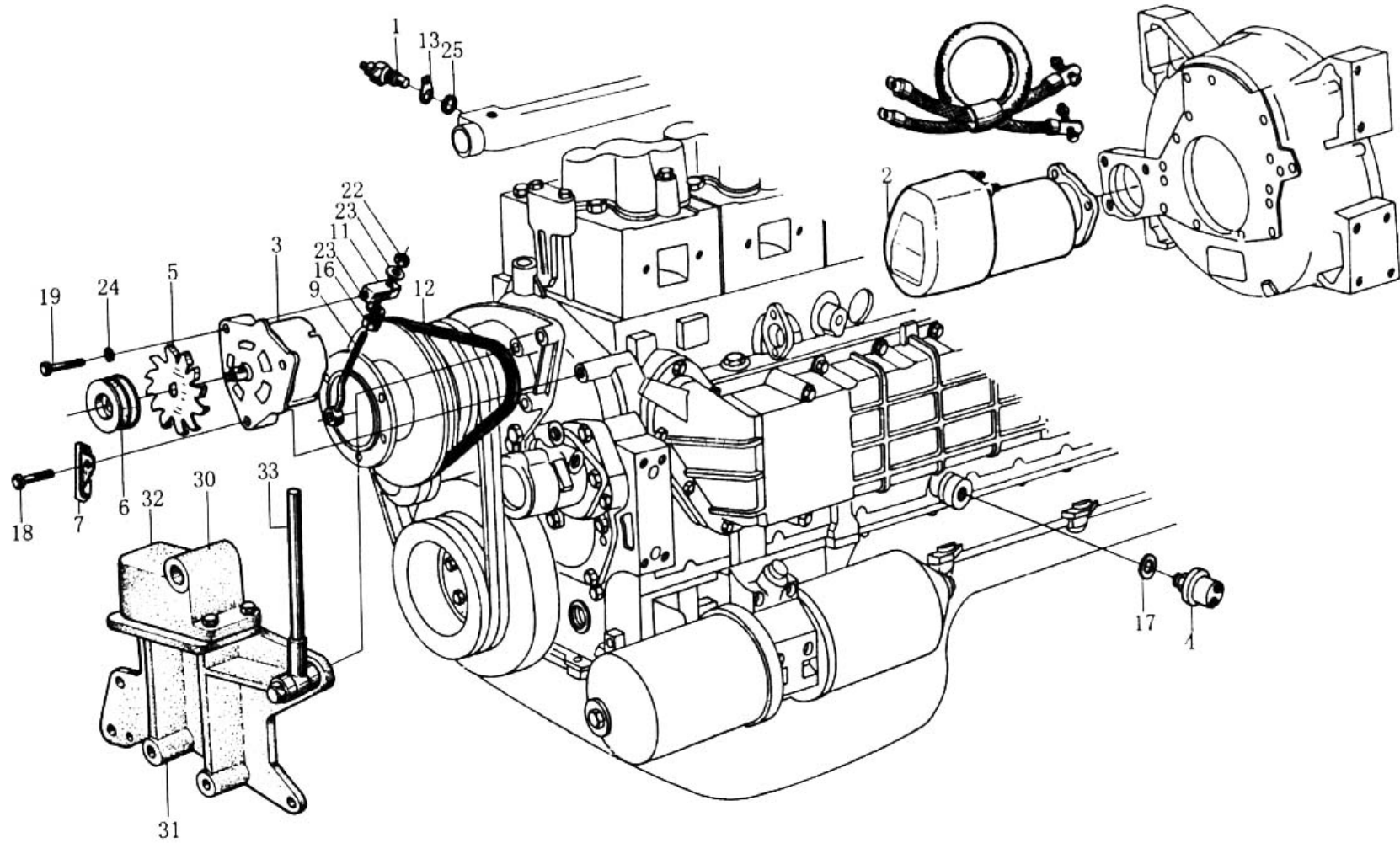
10-272

序号 No.	件号 Part No.	数量 Quantity	名称 Name	规格 Specification	适用产品 Products Applied	备注 Remark
1	614 09 0067	1	水温表传感器 (带报警) Water Temperature Sensor(w/Alarm)			
2	615 00 09 0029	1	起动机 Starter			
3	615P 0009 0001	1	交流发电机 Alternator			
4	615 00 09 0051	1	压力感应塞 Pressure Inductive Plug			
5	614 09 0058	1	风扇叶轮 Fan Impeller			
6	615 00 09 0004	1	皮带轮 Pulley			
7	615 00 09 0010	1	固定板 Fixing Plate		WD615 46、WD615 50、WD615 34、 WD615 38	
9	615 00 09 0018	1	拉紧螺栓 Tension Bolt		WD615 46、WD615 50	
11	615 00 09 0011	1	拉紧块 Tension Block			
12	615 00 09 0065	2	三角皮带 V Belt		WD615 46、WD615 50、WD615 34、 WD615 38	
13	614 09 0050	1	接线柱 Binding Post			
16	900 03 88 8452	1	I 型全金属六角锁紧螺母 All Metal Hexagon Full Lock Nut			
17	160A.13.35	1	密封垫圈 Seal Washer			
18	900 03 80 0571	1	六角头螺栓 Hexagon Head Bolt		WD615 46、WD615 50、WD615 34、 WD615 38	



## 电机装置 / MOTOR UNIT

10-CL



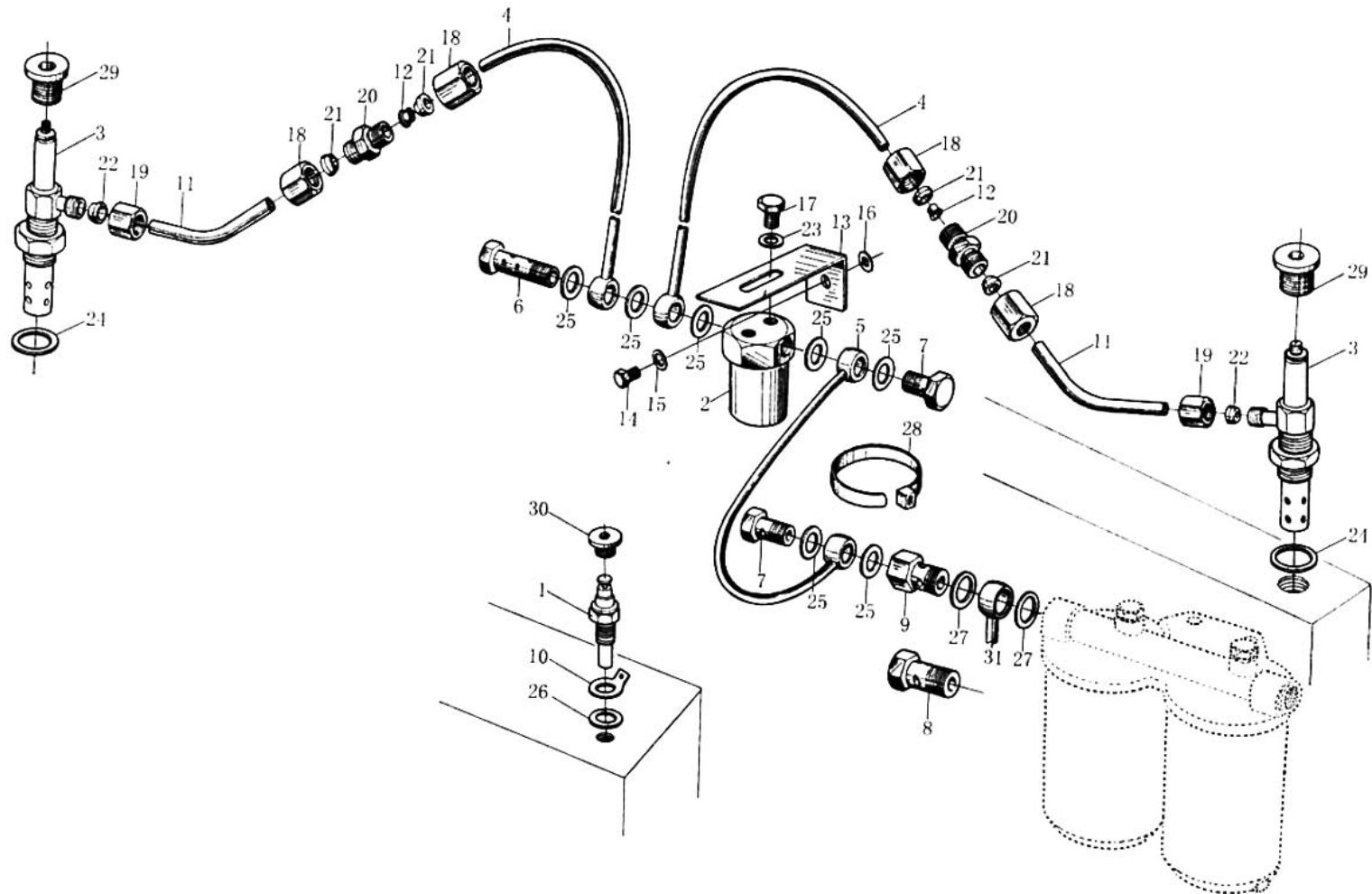
发动机系统 / ENGINE SYSTEM

10-274

序号 No.	件号 Part No.	数量 Quantity	名称 Name	规格 Specification	适用产品 Products Applied	备注 Remark
19	900 03 80 0564	1	六角头螺栓 Hexagon Head Bolt	M10×70 D00931.8.8		
22	900 03 87 1305	1	I型六角螺母 Hexagon Full Nut	M10 DIN9348		
23	900 03 93 5125	2	平垫圈 Plate Washer	11 DIN 1441		
24	900 03 93 2025	1	鞍型弹性垫圈 Saddle Spring Washer	A10 DIN 137		
25	900 03 93 8014	1	密封垫圈 Seal Washer	A14×18 DIN 7603		

## 火焰预热起动系统 / FLAME PREHEATING START SYSTEM

10-CM



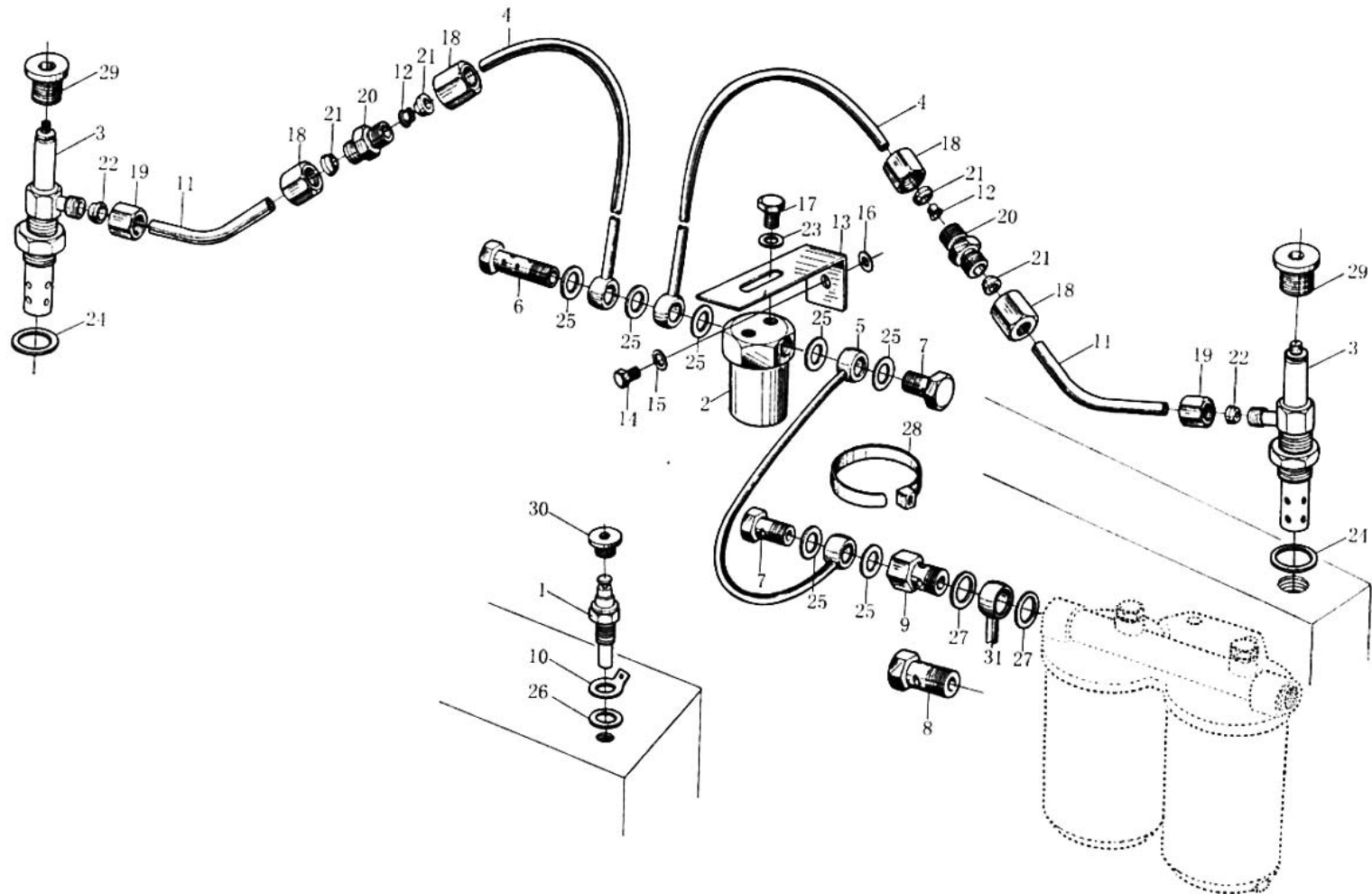
发动机系统 / ENGINE SYSTEM

10-276

序号 No.	件号 Part No.	数量 Quantity	名称 Name	规格 Specification	适用产品 Products Applied	备注 Remark
1	AZ15 00 09 0132	1	温度传感器 Temperature Sensor			
2	612 00 09 0163	1	电磁阀 Solenoid Valve			
3	612 00 09 0162	1	火焰预热电热塞 Flame Preheating Glow Plug			
4	615 60 08 0154	2	燃油管总成 Fuel Line Assembly			
5	612 00 08 0159	1	燃油管总成 Fuel Line Assembly			
6	815 60 08 0212	1	空心螺栓 Hollow Bolt			
7	900 03 96 2607	2	空心螺栓 Hollow Bolt	A4 DIN7623-6S-A3C		
8	900 03 96 2621	1	空心螺栓 Hollow Bolt			
9	609 E 11 0070	1	联结螺栓 Coupling Bolt			
10	790 00 77 0116	1	扁型插头 Flat Plug			
11	815 60 08 0327	2	管 Pipe			
12	990 14 28 0016	2	衬套 Bushing			
13	990 12 36 0441	1	角型支架 Angle Bracket			
14	900 03 80 2415	1	六角头螺栓 Hexagon Head Bolt			

## 火焰预热起动系统 / FLAME PREHEATING START SYSTEM

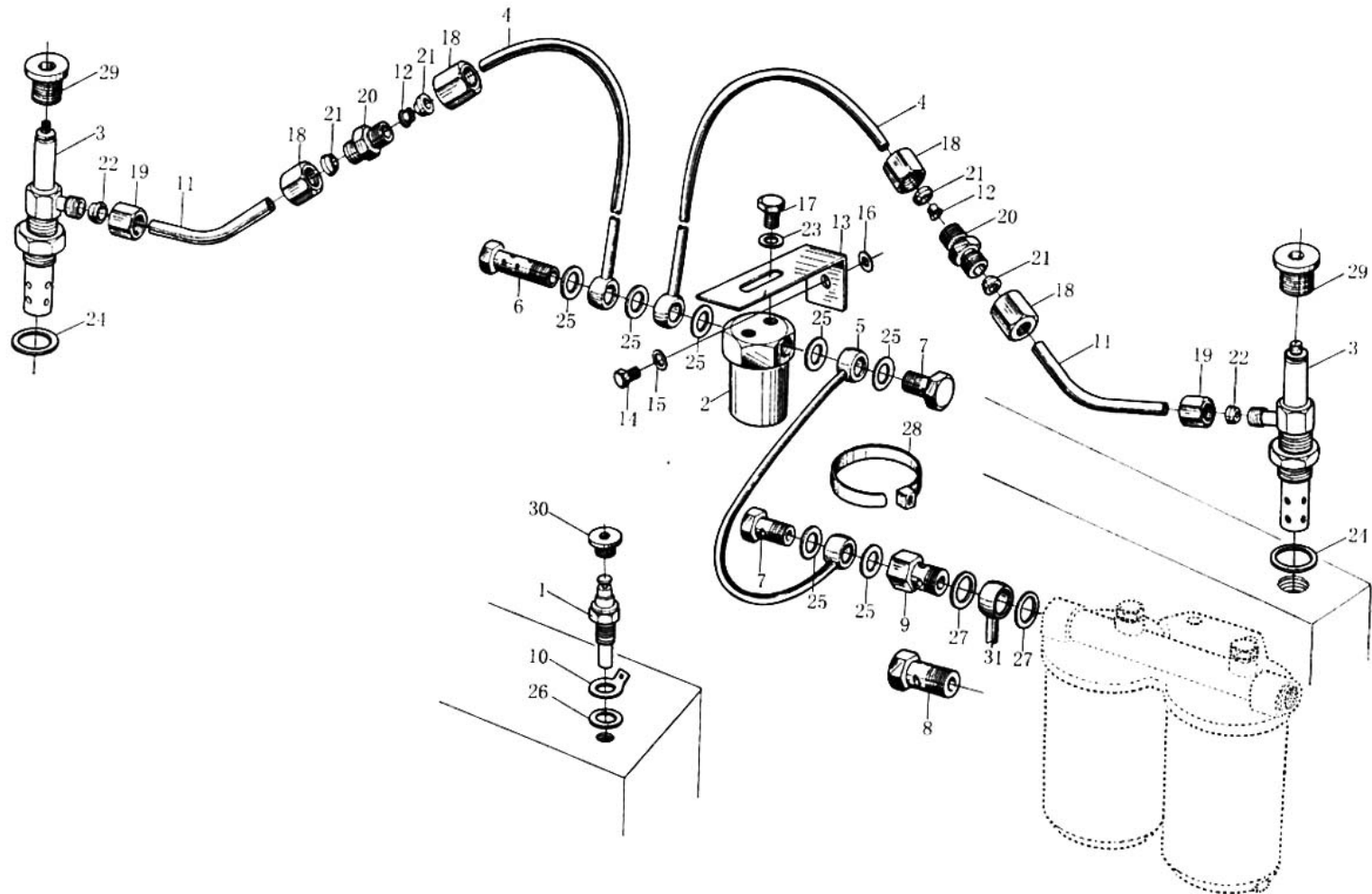
10-CM



序号 No.	件号 Part No.	数量 Quantity	名称 Name	规格 Specification	适用产品 Products Applied	备注 Remark
15	900 03 93 2023	1	波型弹性垫圈 Wavy Spring Washer			
16	900 03 93 0261	1	平垫圈 Plate Washer	A8.4 D00125A3C		
17	900 03 80 2307	2	六角头螺栓 Hexagon Head Bolt			
18	900 03 55 9516	4	管接头用螺母 Nut For Pipe Union			
19	900 30 55 9506	2	联结螺母 Coupling Nut			
20	900 03 55 9462	2	卡套式直通接头体 Ferrule-type Straight Joint			
21	900 03 55 9561	4	卡套 Ferrule			
22	900 03 55 9557	2	卡套 Ferrule			
23	900 03 93 1082	2	弹性垫圈 Spring Washer	B6 D0127-A3C		
24	900 03 09 8029	2	密封垫圈 Seal Washer			
25	900 03 09 8010	7	密封垫圈 Seal Washer			
26	900 03 09 8010	1	密封垫圈 Seal Washer			
27	900 03 09 8015	2	密封垫圈 Seal Washer			
28	900 03 17 1697	4	塑料紧箍带 Plastic Retaining Band	A5×180 N05199		

# 火焰预热起动系统 / FLAME PREHEATING START SYSTEM

**10-CM**



发动机系统 / ENGINE SYSTEM

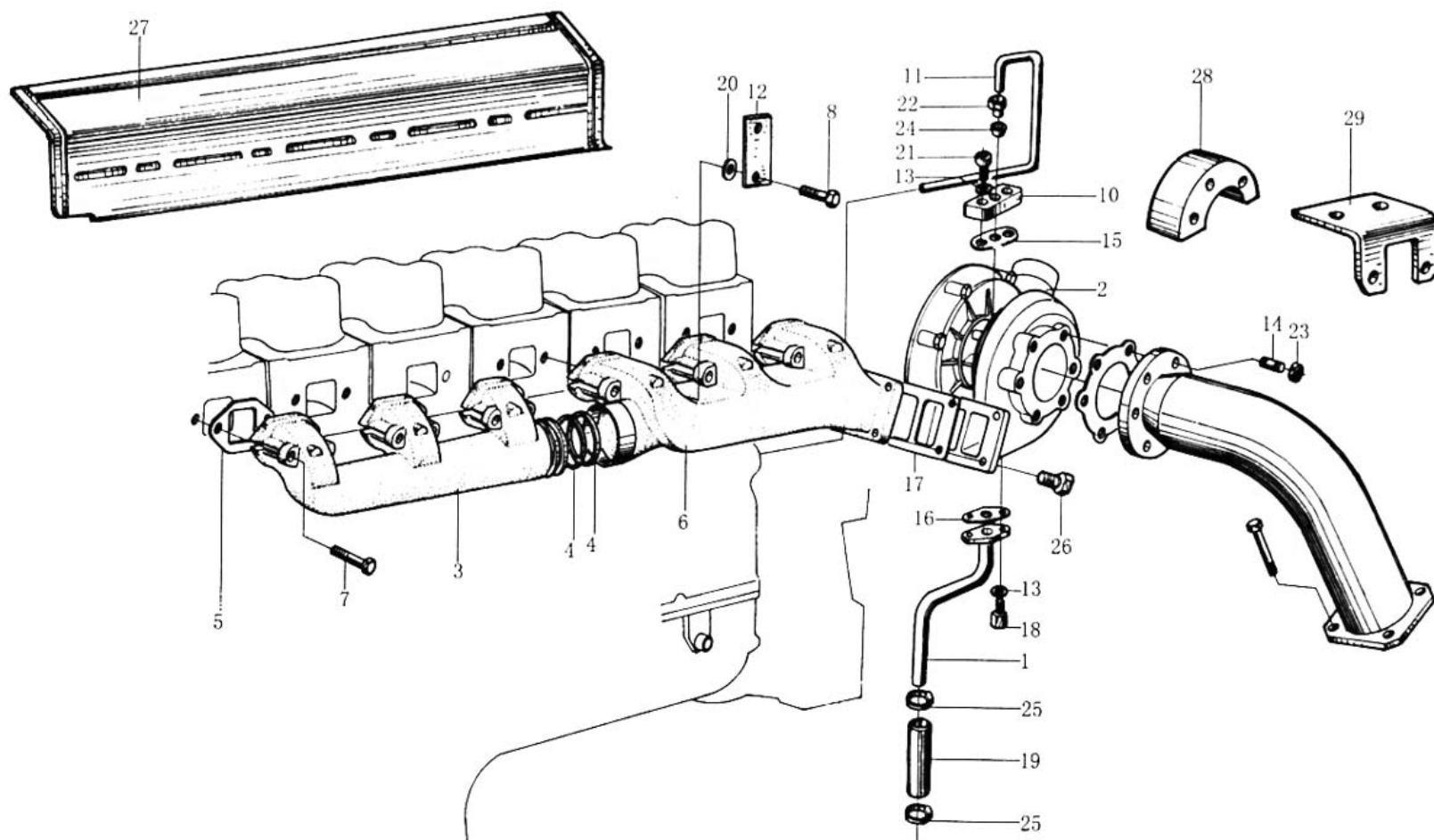
10-280

序号 No.	件号 Part No.	数量 Quantity	名称 Name	规格 Specification	适用产品 Products Applied	备注 Remark
29	900 03 96 0005	2	内六角螺塞 Hexagon Socket Plug			
30	900 03 96 2013	1	六角头螺栓 Hexagon Head Bolt			
31	AZ1500080155	1	燃油管 Fuel Line			



## 进排气管 (一) / INTAKE AND EXHAUST PIPE I

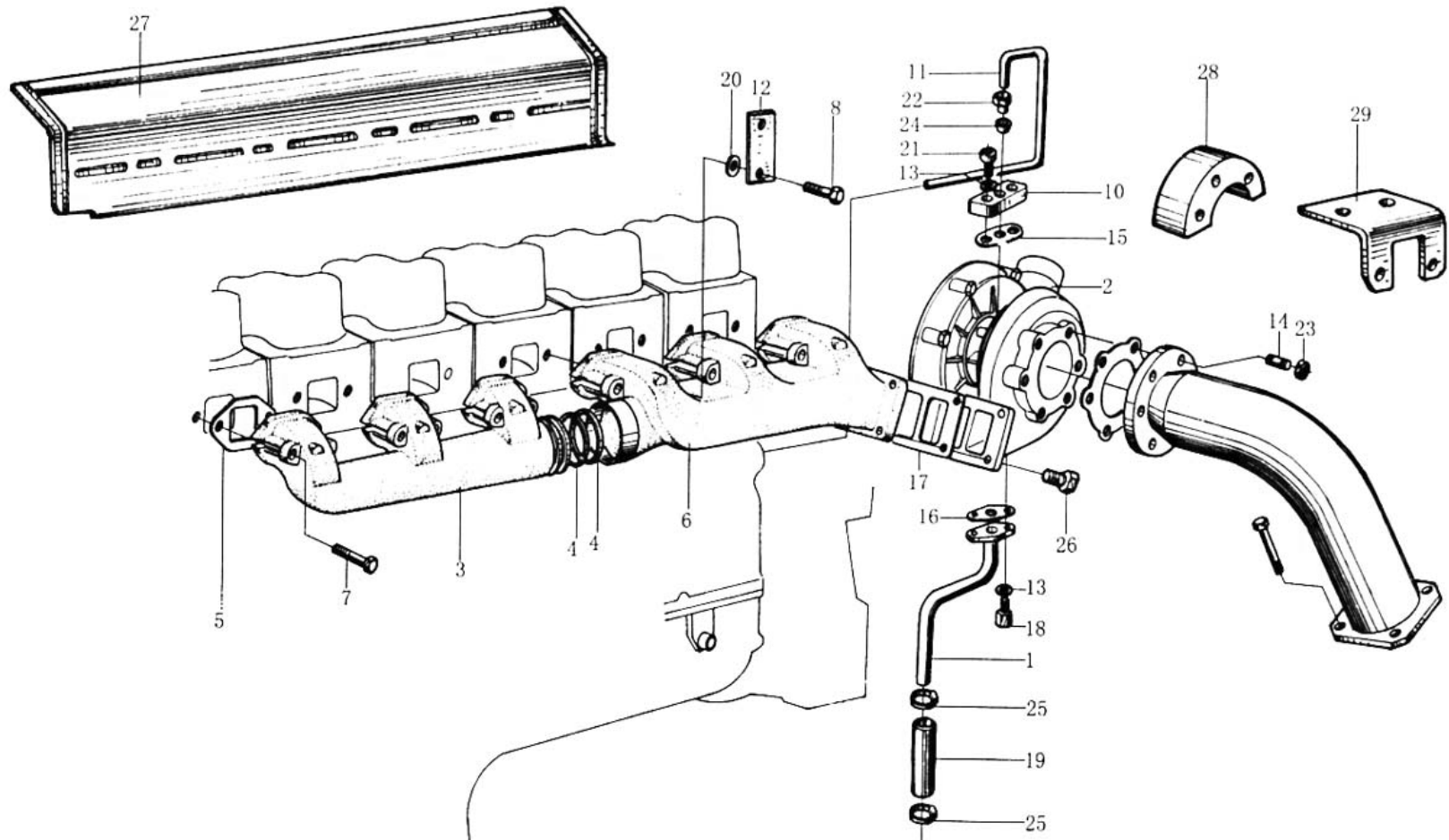
10-CN



序号 No.	件号 Part No.	数量 Quantity	名称 Name	规格 Specification	适用产品 Products Applied	备注 Remark
1	612 60 01 10361	1	回油管总成 Oil Return Tube Assembly			
2	612 60 01 13227	1	废气涡轮增压器 Exhaust Gas Turbo Supercharger			选其一 Select One
	612 60 01 15227	1	废气涡轮增压器 Exhaust Gas Turbo Supercharger			选其一 Select One
	612 60 01 16227	1	废气涡轮增压器 Exhaust Gas Turbo Supercharger			选其一 Select One
	615 60 11 0227	1	废气涡轮增压器 Exhaust Gas Turbo Supercharger		WD615 38、WD615 34、WD615 46	选其一 Select One
3	615 60 11 0120	1	前排气歧管 Front Exhaust Manifold			
4	612 60 11 0111	4	排气管密封环 Exhaust Pipe Seal Ring			
5	615 60 11 0111	6	排气管垫片 Exhaust Pipe Shim			
6	615 60 11 0222	1	后排气歧管 Rear Exhaust Manifold			
7	615 60 11 0104	11	排气管紧固螺栓 Exhaust Pipe Fastening Bolt			
8	615 60 11 0105	1	排气管紧固螺栓 Exhaust Pipe Fastening Bolt			
10	815 60 11 0152	1	进油管法兰 Oil Inlet Tube Flange			
11	615 60 07 0001	1	进油管 Oil Inlet Tube			
12	99 974 200	1	托板 Pallet			

## 进排气管 (一) / INTAKE AND EXHAUST PIPE I

10-CN



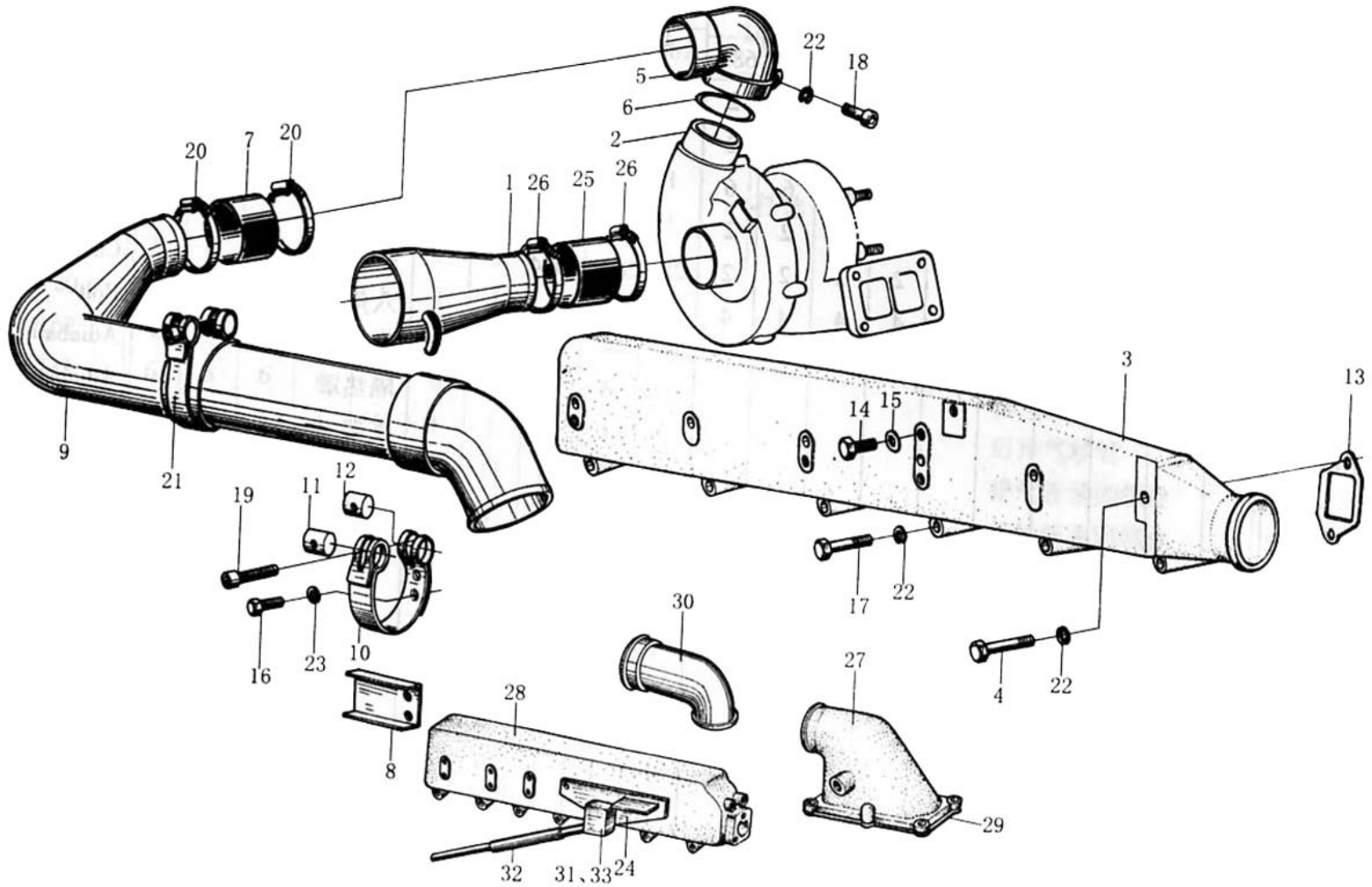
发动机系统 / ENGINE SYSTEM

10-284

序号 No.	件号 Part No.	数量 Quantity	名称 Name	规格 Specification	适用产品 Products Applied	备注 Remark
13	188 25 0083	4	自锁垫圈 Self Lock Washer			
14	815 60 11 0187	6	双头螺柱 Stud Bolt			
15	609 E 11 0050	1	进油管垫片 Oil Inlet Tube Shim			
16	612 60 11 0048	1	回油管法兰垫片 Oil Return Tube Flange Shim			
17	615 6011 0210	1	增压器垫片 Supercharger Shim			
18	614 60 07 0014	2	回油管螺栓 Oil Return Tube Bolt			
19	612 60 00 70071	1	增压器回油管用软管 Hose For Supercharger Oil Return Tube			
20	609 07 0067	1	止推垫圈 Thrust Washer			
21	900 03 86 2428	2	内六角圆柱头螺钉 Hexagon Socket Cap Head Screw	M8×25 DIN 912		
22	900 03 55 9513	2	联管螺母 Pipe Union Nut	AL12 D03871		
23	900 03 88 8470	6	自锁螺母 Self Lock Nut			
24	900 03 55 9563	2	卡套 Ferrule			
25	900 03 98 9340	2	软管卡箍 Hose Retaining Ring	22/29 N05074		
26	615 60 11 0241	4	六角头螺栓 Hexagon Head Bolt			

## 进排气管 (二) / INTAKE AND EXHAUST PIPE II

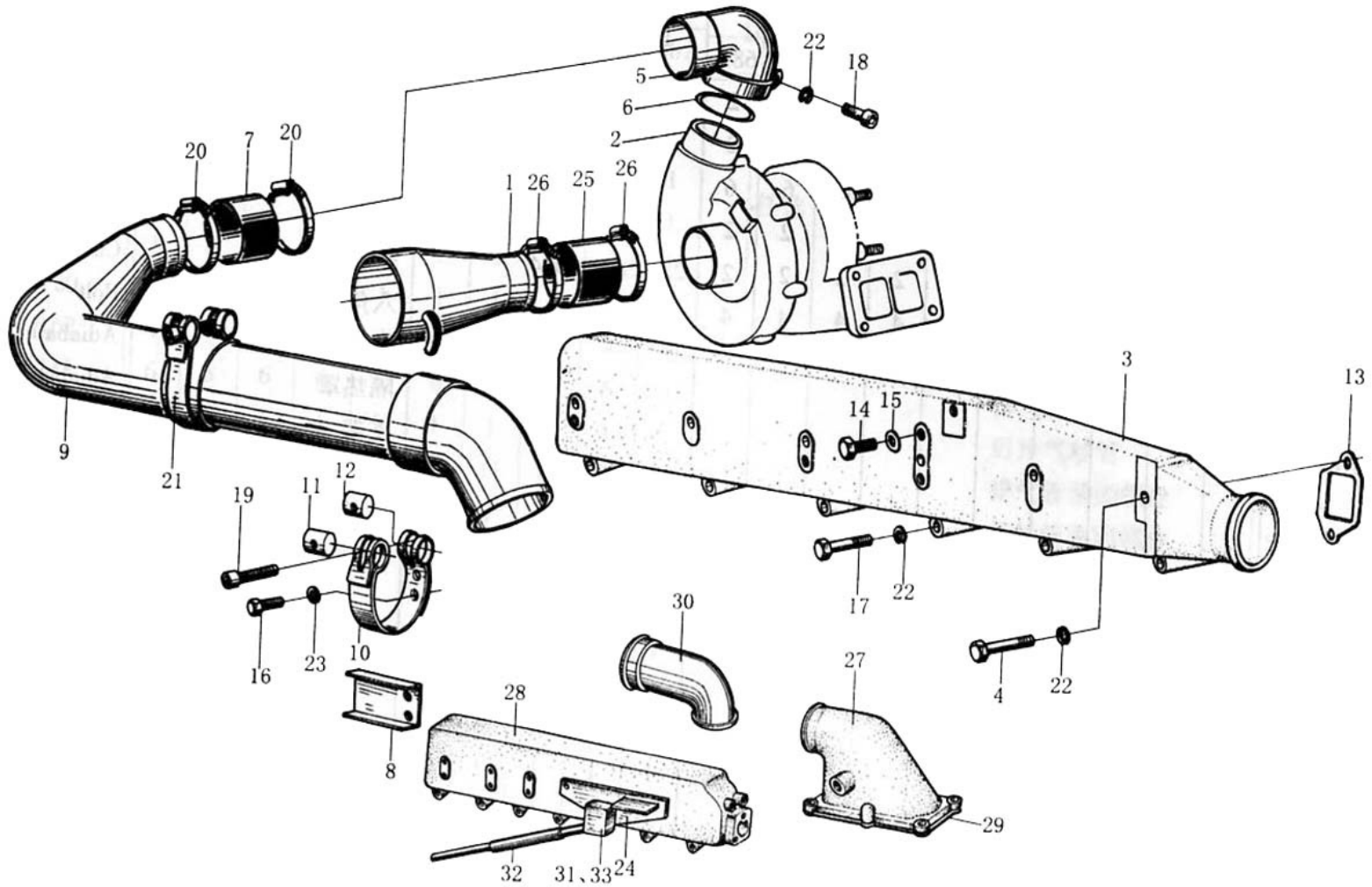
10-CO



序号 No.	件号 Part No.	数量 Quantity	名称 Name	规格 Specification	适用产品 Products Applied	备注 Remark
1	612 60 01 10505	1	压气机进气管组件 Air Compressor Inlet Tube Set			
2	615 60 11 6227	1	废气涡轮增压器 Exhaust Gas Turbo Supercharger			选其一 Select One
	615 60 11 5227	1	废气涡轮增压器 Exhaust Gas Turbo Supercharger			选其一 Select One
	615 60 11 3227	1	废气涡轮增压器 Exhaust Gas Turbo Supercharger			选其一 Select One
	615 60 11 0227	1	废气涡轮增压器 Exhaust Gas Turbo Supercharger			选其一 Select One
3	615 60 11 0131	1	进气管总成 Inlet Tube Assembly			
4	614 11 0064	4	进气管紧固螺栓 Inlet Tube Fastening Bolt			
	900 03 80 0497	2	六角头螺栓 Hexagon Head Bolt	M8×160 DIN931		
6	190 32 0035	1	密封圈 Seal Ring			
7	612 60 01 10824	1	橡胶软管 Rubber Hose			
9	615 60 11 0051	1	卡子总成 Clip Assembly			
10	615 60 11 0021	2	卡箍带 Retaining Band			
11	209 19 0017	2	拉紧销 Stretching Pin			
12	1700550013	2	张紧销 Tension Pin			

## 进排气管 (二) / INTAKE AND EXHAUST PIPE II

10-CO

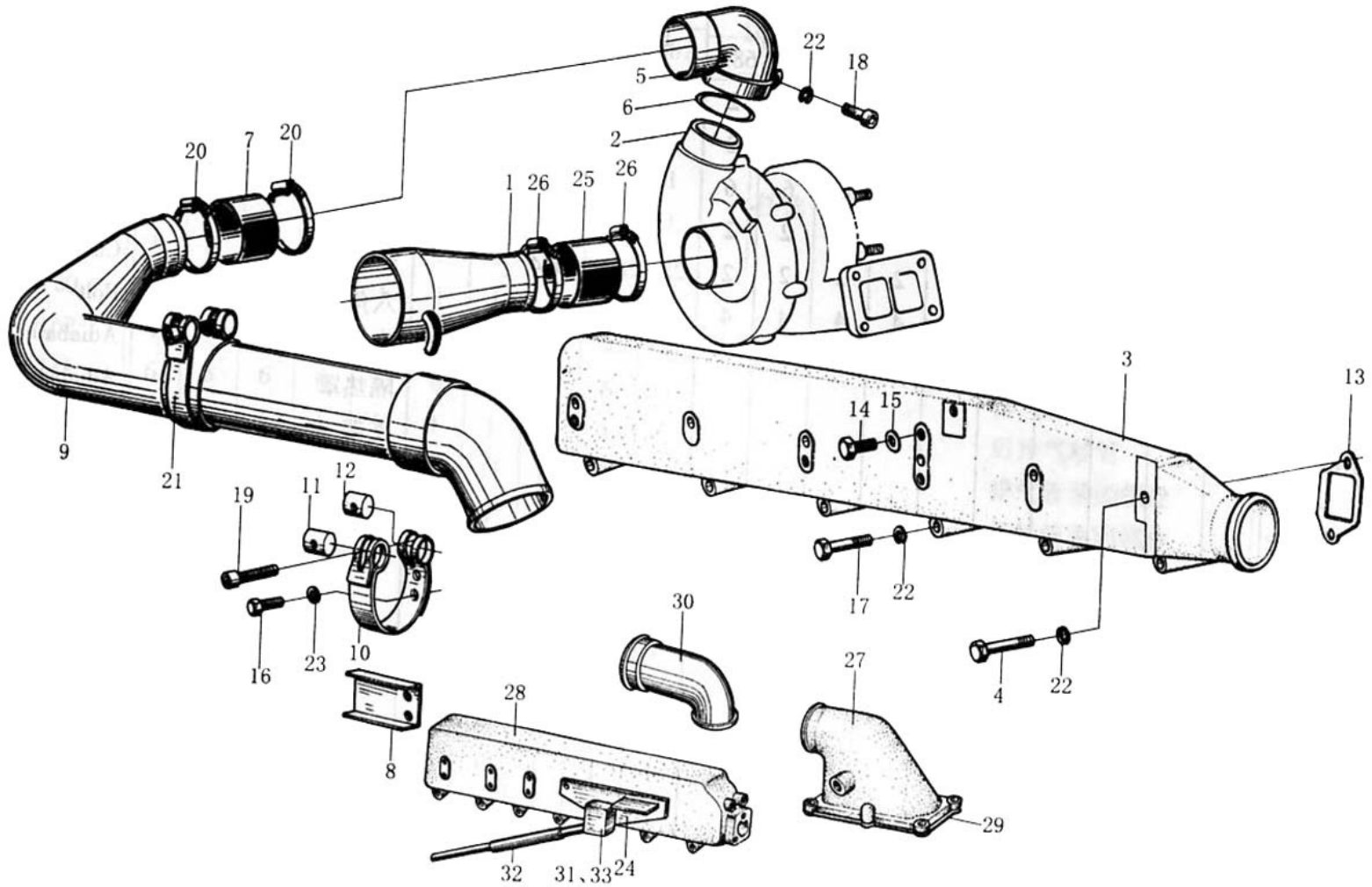


序号 No.	件号 Part No.	数量 Quantity	名称 Name	规格 Specification	适用产品 Products Applied	备注 Remark
13	615 00 11 0024	6	进气管垫片 Air Inlet Tube Shim			
14	900 03 96 2014	1	六角头螺塞 Hexagon Head Plug	AM10×1 DIN7604		
15	900 03 09 8010	1	密封垫圈 Seal Washer	A10×13.5 DIN7603		
16	900 03 80 2415	1	六角螺栓 Hexagon Bolt	M8×16 DIN 933		
	900 03 80 2411	1	六角螺栓 Hexagon Bolt	M8×16 DIN 933		
17	900 03 80 0465	6	六角螺栓 Hexagon Bolt	M8×80 DIN 931		
18	900 03 86 2443	1	内六角圆柱头螺钉 Hexagon Socket Cap Head Screw	M8×40 DIN 912		
19	900 03 86 2462	1	内六角圆柱头螺钉 Hexagon Socket Cap Head Screw	M8×60 DIN912		
20	900 03 98 9312	2	软管卡箍 Hose Retaining Ring	70/89 N05074		
21	900 03 86 2456	1	内六角圆柱头螺钉 Hexagon Socket Cap Head Screw	M8×55 DIN 912		
22	900 03 93 2023	15	波型弹性垫圈 Wavy Spring Washer			46 数量为 20 Quantity Of 46 : 20
23	609 E 11 0036	4	调整垫圈 Adjusting Washer			46 数量为 3 Quantity Of 46:3
24	991 00 57 0015	1	悬臂总成 Cantilever Assembly			
25	815 60 11 0220	1	胶管 Rubber Tube			



## 进排气管 (二) / INTAKE AND EXHAUST PIPE II

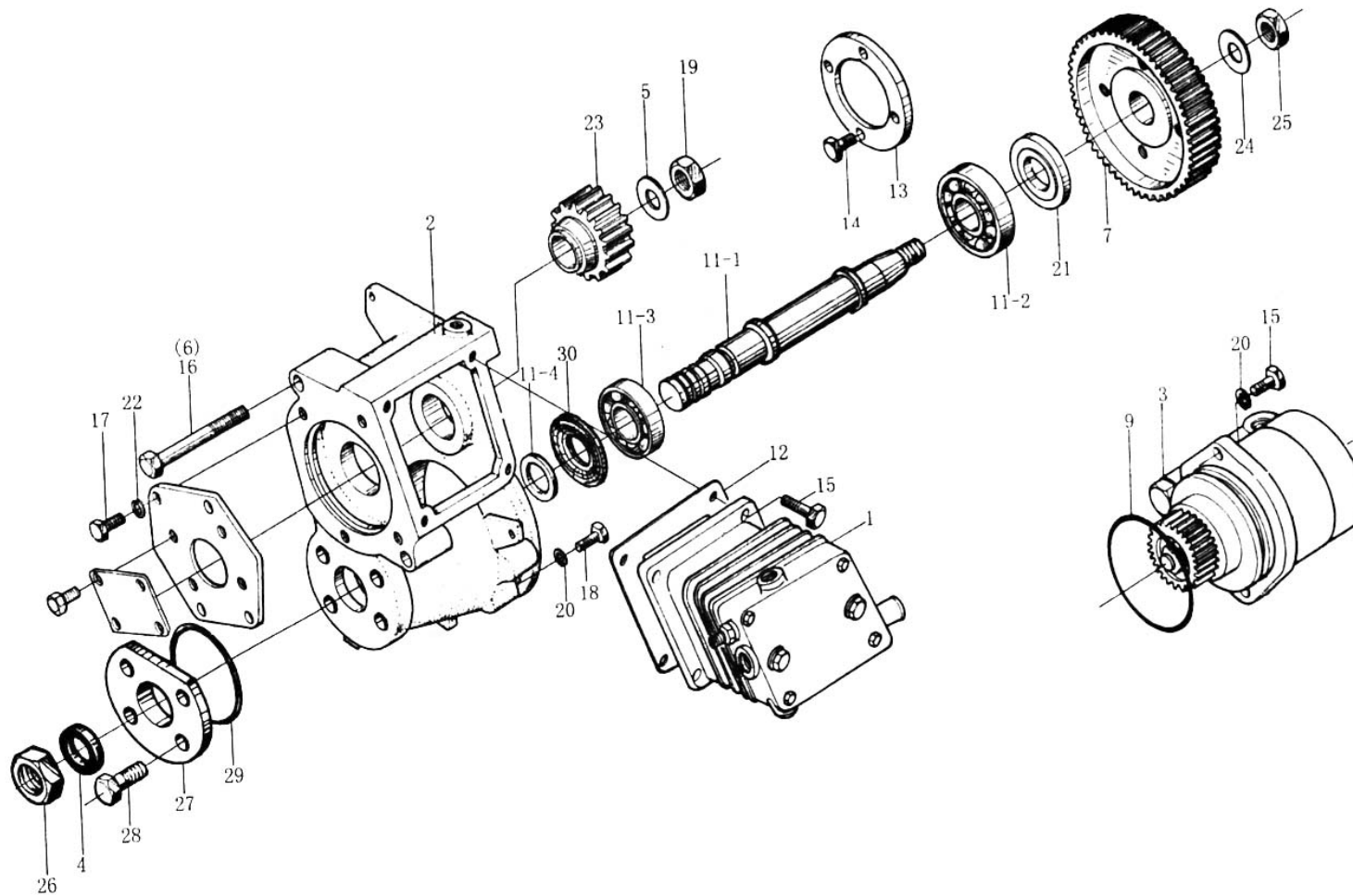
10-CO



序号 No.	件号 Part No.	数量 Quantity	名称 Name	规格 Specification	适用产品 Products Applied	备注 Remark
26	900 03 98 9312	2	软管卡箍 Hose Retaining Ring	70/89 N05074		
	900 03 98 9318	2	软管卡箍 Hose Retaining Ring			

## 615 13 61A 单缸空气压缩机 / 615 13 61A SINGLE CYLINDER AIR COMPRESSOR

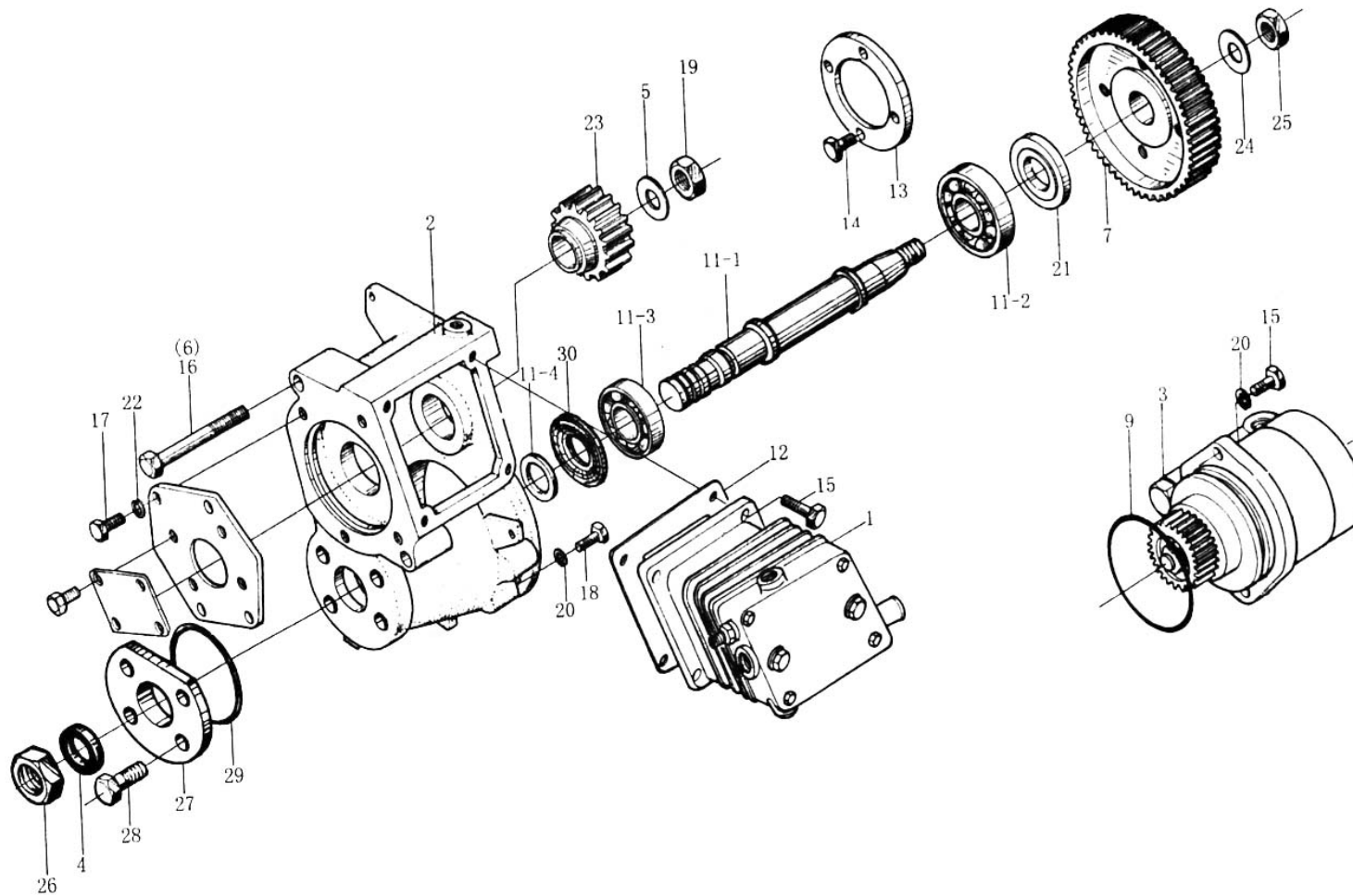
10-CP



序号 No.	件号 Part No.	数量 Quantity	名称 Name	规格 Specification	适用产品 Products Applied	备注 Remark
1	AZ1560120070	1	水冷空压机 Water Cooled Air Compressor			
2	AZ1560130063	1	空压机曲轴箱 Air Compressor Crankcase			
4	900 03 07 0092	1	油封 Oil Seal			
5	609 07 0161	1	支承环 Support Ring			
6	900 03 80 2561	1	六角头螺栓 Hexagon Head Bolt	M10×75 D00933		
7	AZ1560130064	1	喷油泵齿轮 Injection Pump Gear			
11	615 00 08 0167	1	传动轴总成 Propeller Shaft Assembly			
11-1	612 60 01 30048	1	传动轴 Propeller Shaft			
11-2	900 03 32 0154	1	滚柱轴承 Cylindrical Roller Bearing			
11-3	615 00 08 0158	2	径向止推滚珠轴承 Radial Thrust Ball Bearing			
11-4	612 60 01 30047	1	衬套 Bushing			
12	615 00 13 0080	1	垫圈 Washer			
13	615 00 08 0165	1	盖 Cover			
14	900 03 80 2432	4	六角头螺栓 Hexagon Head Bolt	M8×30 D00933		

## 615 13 61A 单缸空气压缩机 / 615 13 61A SINGLE CYLINDER AIR COMPRESSOR

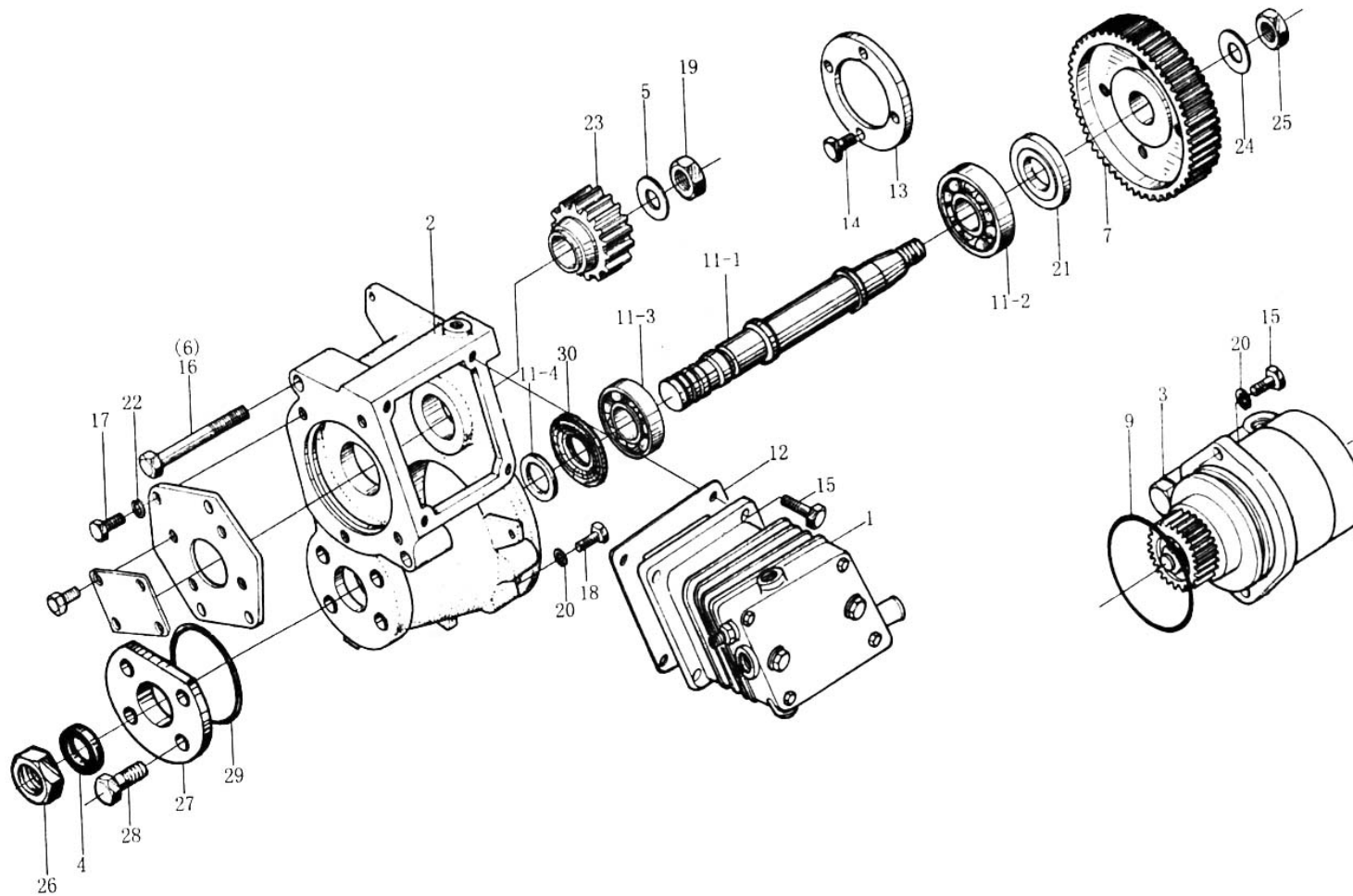
10-CP



序号 No.	件号 Part No.	数量 Quantity	名称 Name	规格 Specification	适用产品 Products Applied	备注 Remark
15	900 03 80 2438	6	六角头螺栓 Hexagon Head Bolt	M8×22 DIN 933		
16	900 03 80 0569	2	六角头螺栓 Hexagon Head Bolt	M10×150 D00931		
17	900 03 80 2411	4	六角头螺栓 Hexagon Head Bolt	M8×16 D00933		
18	900 03 80 2419	7	六角头螺栓 Hexagon Head Bolt	M8×20 D00933		
19	6126 0013 0001	1	六角螺母 Hexagon Nut			
20	900 03 93 2023	9	垫圈 Washer	B8 D00137		
21	615 00 08 0130	1	压紧圈 Compressing Ring			
22	900 03 93 0261	4	小垫圈 Small Washer	A8.4 D00125		
23	615 60 13 0012	1	空压机齿轮 Air Compressor Gear			
24	409 02 0045	1	垫片 Shim			
25	612 60 01 3001	1	六角螺母 Hexagon Nut			
26	612 60 01 30046	1	夹紧螺母 Clamping Nut			
27	615 00 13 0097	1	油封座 Oil Seal Seat			
28	900 03 80 2415	4	六角头螺栓 Hexagon Head Bolt			

## 615 13 61A 单缸空气压缩机 / 615 13 61A SINGLE CYLINDER AIR COMPRESSOR

10-CP

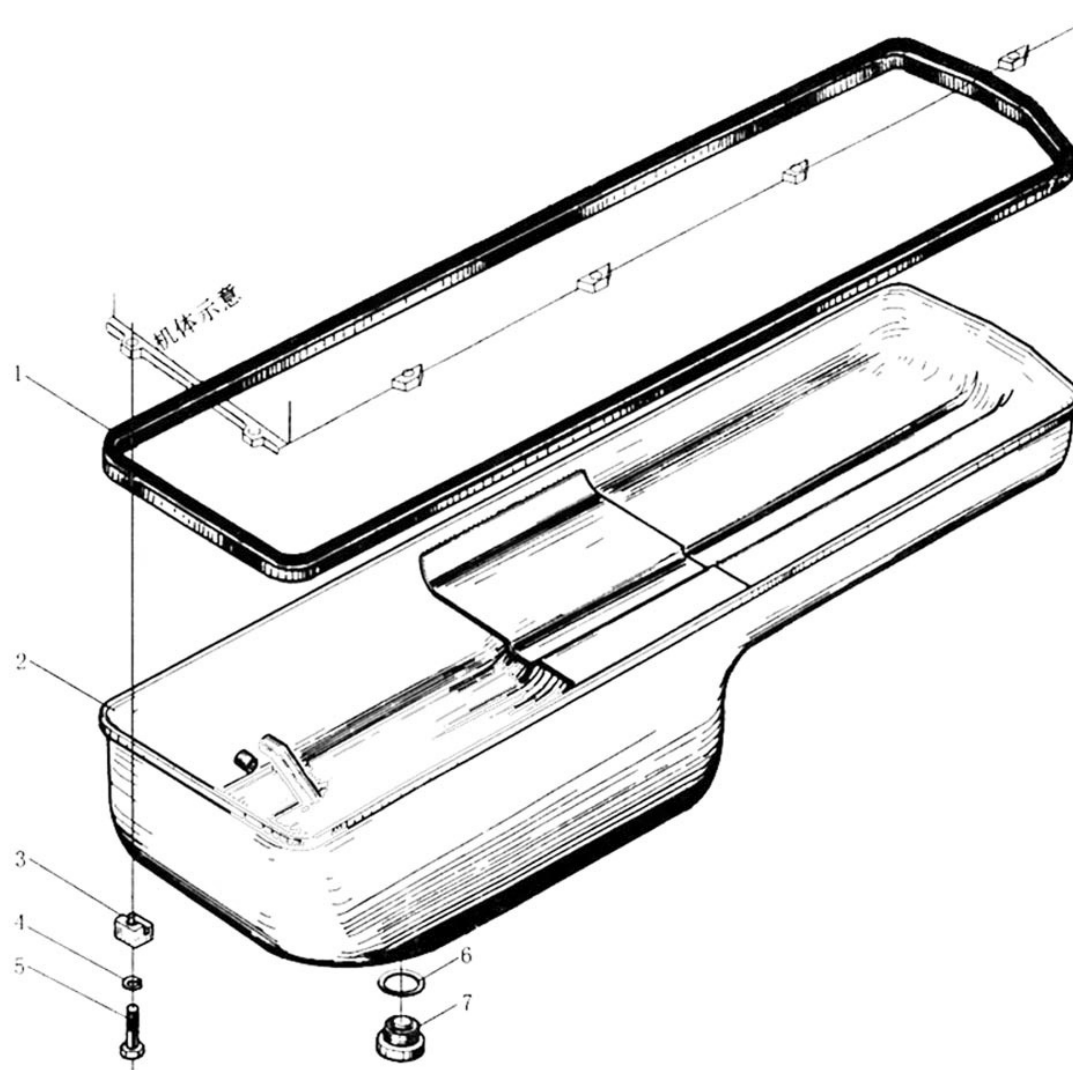


序号 No.	件号 Part No.	数量 Quantity	名称 Name	规格 Specification	适用产品 Products Applied	备注 Remark
29	192 320002	1	密封圈 Seal Ring			
30	612 60 01 30073	1	挡油盘 Oil Baffle			



## 油底壳 / OIL PAN

10-CQ



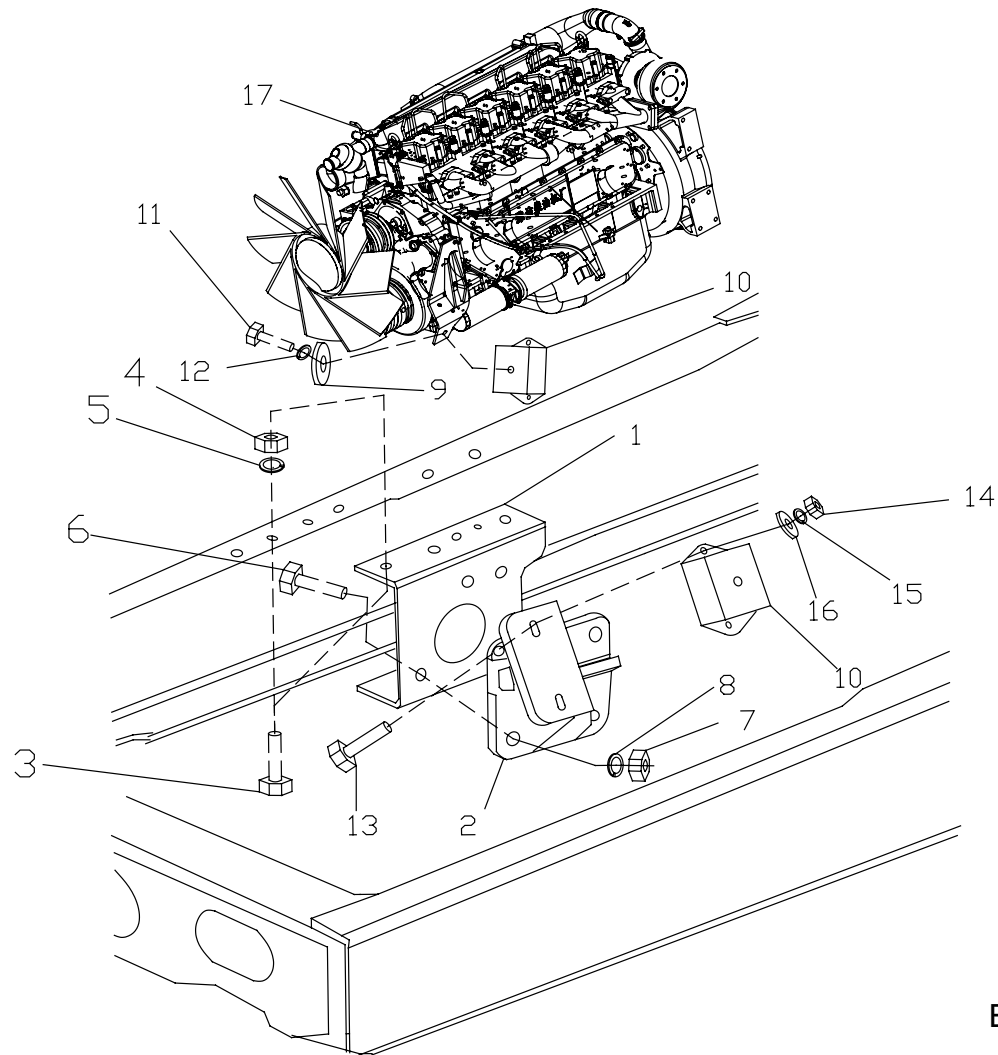
发动机系统 / ENGINE SYSTEM

10-298

序号 No.	件号 Part No.	数量 Quantity	名称 Name	规格 Specification	适用产品 Products Applied	备注 Remark
1	614 15 0004	1	密封垫 Gasket			
2	612 00 15 0104	1	油底壳总成 Oil Pan Assembly		WD615 56	
	618 00 15 0015	1	油底壳总成 Oil Pan Assembly		WD615 50、WD615 46	
3	614 15 0046	12	油底壳托块 Oil Pan Carrier			
4	900 03 93 0261	12	平垫圈 Plate Washer	A804 DIN 125-SFA3C		
5	900 03 80 2442	12	六角头螺栓 Hexagon Head Bolt	M8×40 D00933		
6	612 60 01 50106	1	密封圈 Seal Ring			
7	612 60 01 50108	1	磁性螺塞总成 Magnetic Plug Assembly			

## 发动机悬置系统 / ENGINE MOUNTING SYSTEM

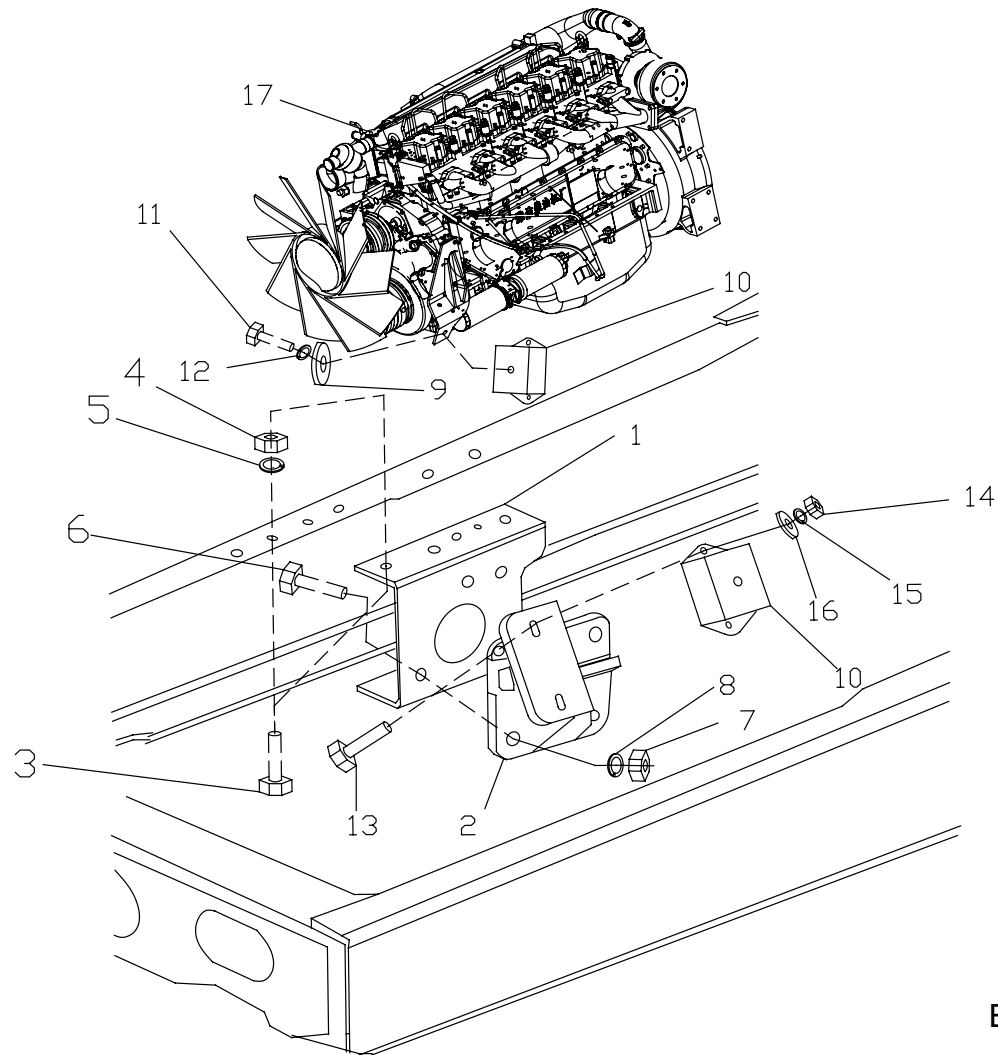
10-CR

左右对称  
Eudipleural

序号 No.	件号 Part No.	数量 Quantity	名称 Name	规格 Specification	适用产品 Products Applied	备注 Remark
1	10A2D-01032	1	右支架 - 发动机前悬置 Bracket RH-Engine Front Mounting			
2	10A2D-01052	1	右软垫支架 - 发动机前悬置 Cushion Bracket RH-Engine Front Mounting			
3	Q150B1435TF2	8	六角头螺栓 Hexagon Head Bolt			
4	Q340B14T13F2	8	I 型六角螺母 Hexagon Full Nut			
5	Q40514	8	重型弹簧垫圈 Heavy Spring Washer			
6	Q150B1640TF2	8	六角头螺栓 Hexagon Head Bolt			
7	Q340B16T13F2	8	I 型六角螺母 Hexagon Full Nut			
8	Q40516	8	重型弹簧垫圈 Heavy Spring Washer			
9	Q40212	2	大垫圈 Big Washer			
10	10A2D-01020	2	软垫总成 - 发动机前悬置 Pad Assembly-Engine Front Mounting			
11	Q151B1220TF2	2	六角头螺栓 Hexagon Head Bolt			
12	Q40312	2	弹簧垫圈 Spring Washer			
13	Q150B0830	4	六角头螺栓 Hexagon Head Bolt			
14	Q340B08	4	I 型六角螺母 Hexagon Full Nut			

## 发动机悬置系统 / ENGINE MOUNTING SYSTEM

10-CR



左右对称  
Eudipleural

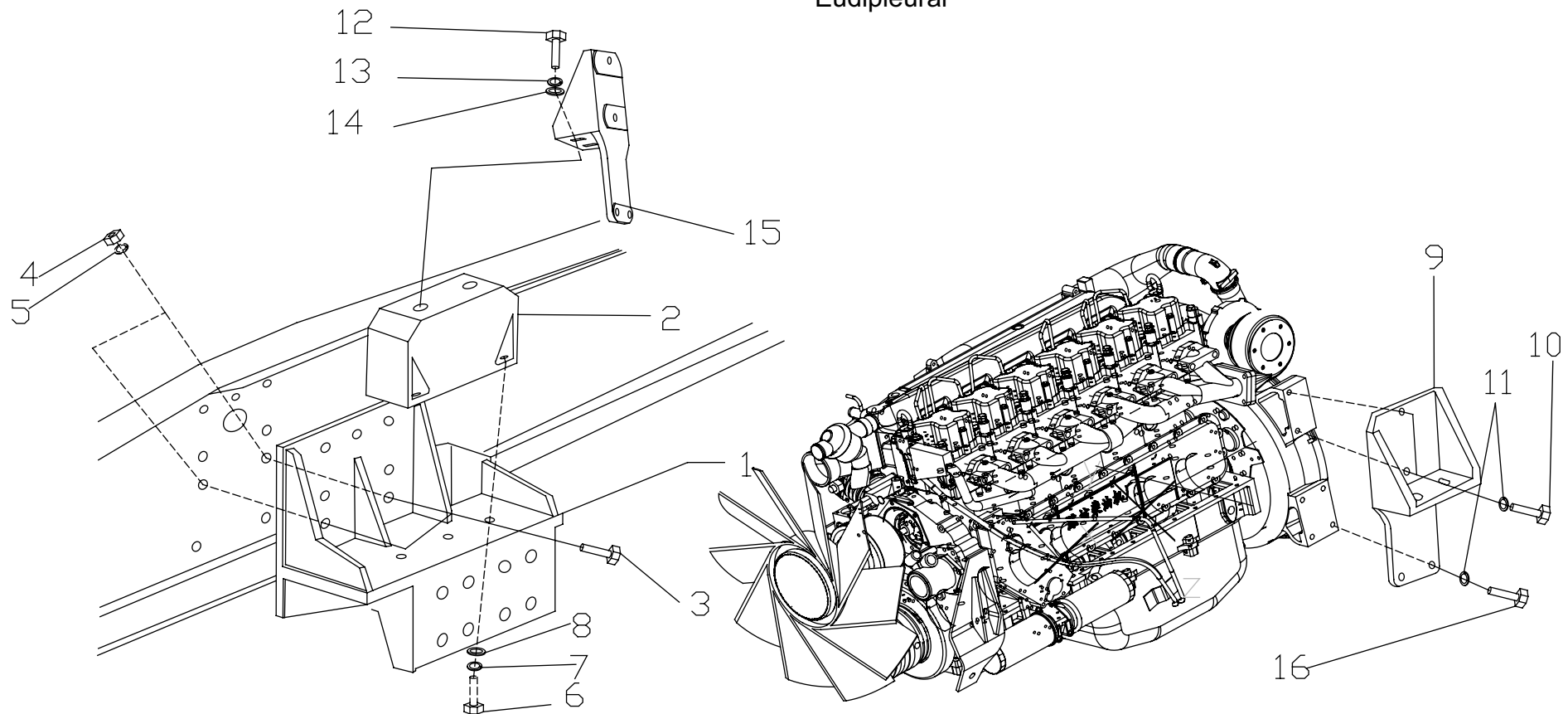
发动机系统 / ENGINE SYSTEM

10-302

序号 No.	件号 Part No.	数量 Quantity	名称 Name	规格 Specification	适用产品 Products Applied	备注 Remark
15	Q40308	4	I 型六角螺母 Hexagon Full Nut			
16	Q40108	4	弹簧垫圈 Spring Washer			
17	1000A17D-010	1	WD615 34 发动机总成 WD615 34 Engine Assembly		WD615 34 搅拌机 WD615 34 Mixer	
	1000A17DQ-010	1	WD615 34 发动机总成 WD615 34 Engine Assembly		WD615 34 牵引车 WD615 34 Tractor	
	1000A19DQ-010	1	WD615 38 发动机总成 WD615 38 Engine Assembly		WD615 38 牵引车 WD615 38 Tractor	
	1000A2D-010	1	WD615 44 发动机总成 WD615 44 Engine Assembly		WD615 44 搅拌机 WD615 44 Mixer	
	1000A2DQ-010	1	WD615 44 发动机总成 WD615 44 Engine Assembly		WD615 44 牵引车 WD615 44 Tractor	
	1000A5DQ-010	1	WD615 46 发动机总成 WD615 46 Engine Assembly		WD615 46 牵引车 WD615 46 Tractor	
	1000A20DZ4-010	1	WD615 50 发动机总成 WD615 50 Engine Assembly		WD615 50 牵引车 WD615 50 Tractor	
	1000A6DQ-010	1	WD615 56 发动机总成 WD615 56 Engine Assembly		WD615 56 牵引车 WD615 56 Tractor	

## 发动机悬置系统 / ENGINE MOUNTING SYSTEM

10-CS

左右对称装配  
Eudipleural

发动机系统 / ENGINE SYSTEM

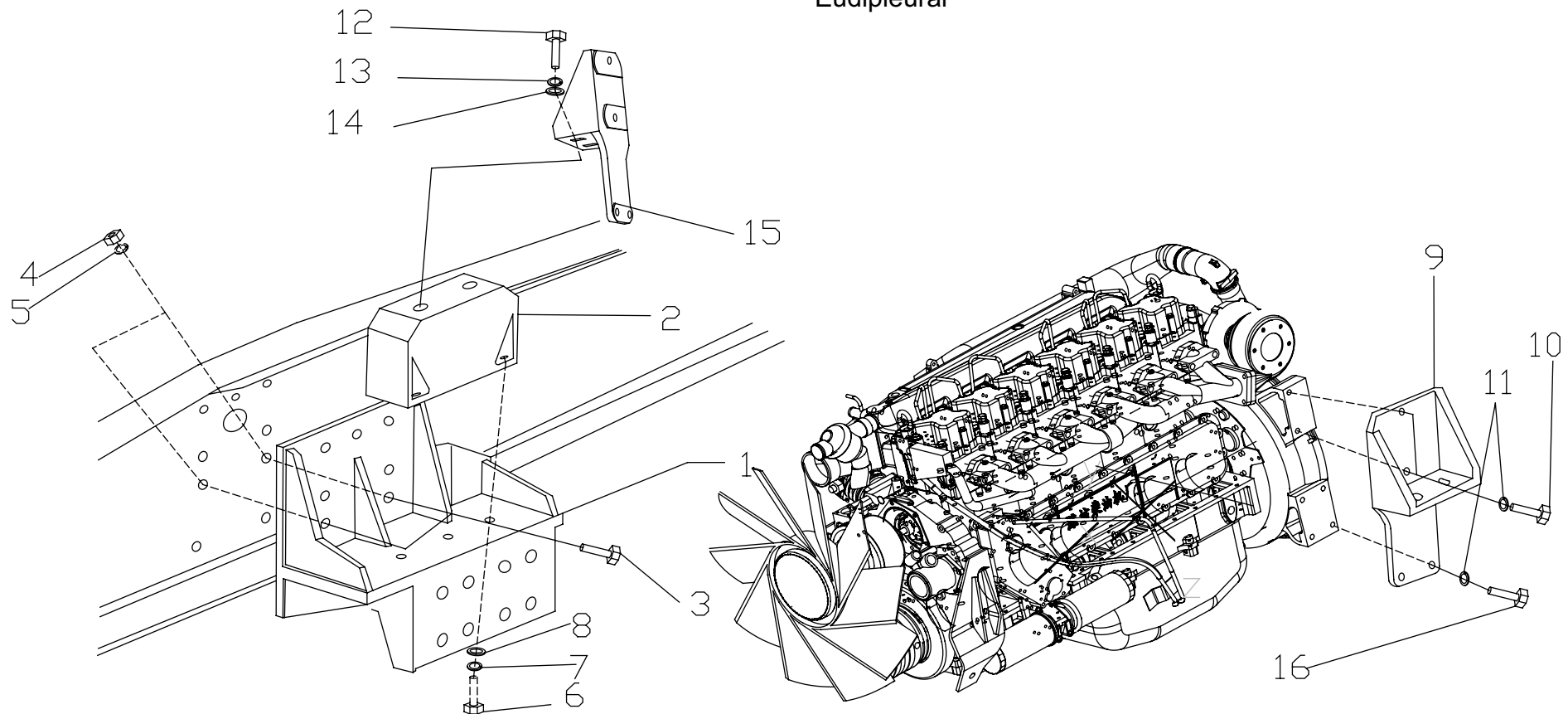
10-304

序号 No.	件号 Part No.	数量 Quantity	名称 Name	规格 Specification	适用产品 Products Applied	备注 Remark
1	10A2D-01072	1	右支架 - 发动机后悬置 Bracket RH-Engine Rear Mounting			
	10A2D-01071	1	左支架 - 发动机后悬置 Bracket LH-Engine Rear Mounting			
2	10A2D-01060	2	软垫总成 - 发动机后悬置 Cushion Assembly-Engine Rear Mounting			
3	Q150B1455TF2	8	六角头螺栓 Hexagon Head Bolt			
4	Q340B14T13F2	8	I 型六角螺母 Hexagon Full Nut			
5	Q40514	8	重型弹簧垫圈 Heavy Spring Washer			
6	Q150B1040TF2	4	六角头螺栓 Hexagon Head Bolt			
7	Q40210	4	平垫圈 Plate Washer			
8	Q40310	4	弹簧垫圈 Spring Washer			
9	10A2D-01061	1	左支架臂 - 发动机后悬置 Bracket Arm LH-Engine Rear Mounting		潍柴搅拌车专用 Only For WEICHAI Mixer	
	10A2DQ-01061	1	左支架臂 - 发动机后悬置 Bracket Arm LH-Engine Rear Mounting		潍柴牵引车专用 Only For WEICHAI Tractor	
10	Q151B1440TF2	4	六角头螺栓 Hexagon Head Bolt			
11	Q40514	10	重型弹簧垫圈 Heavy Spring Washer			
12	Q151B1240TF2	4	六角头螺栓 Hexagon Head Bolt			



## 发动机悬置系统 / ENGINE MOUNTING SYSTEM

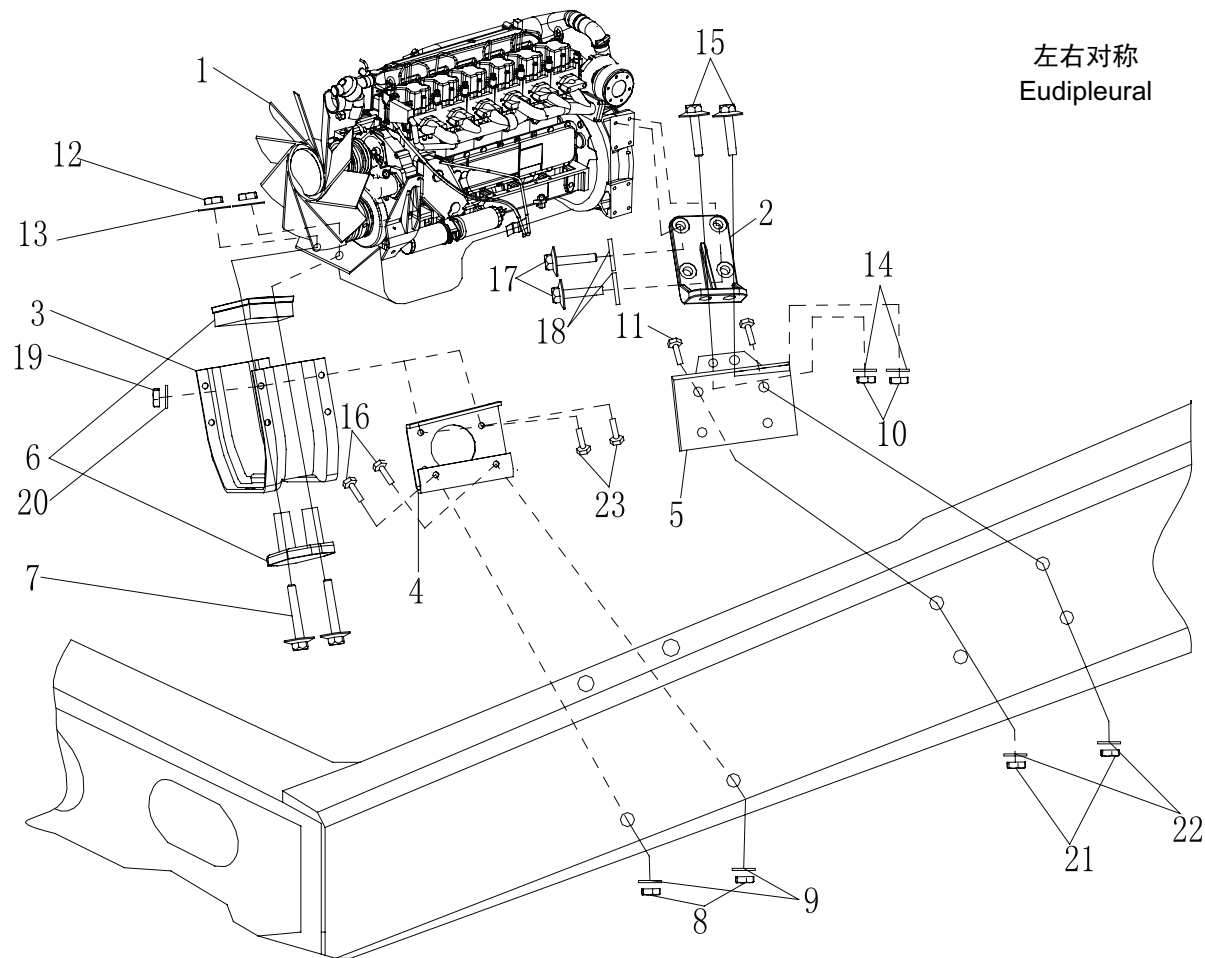
10-CS

左右对称装配  
Eudipleural

序号 No.	件号 Part No.	数量 Quantity	名称 Name	规格 Specification	适用产品 Products Applied	备注 Remark
13	Q40312	4	弹簧垫圈 Spring Washer			
14	Q40212	4	大垫圈 Big Washer			
15	10A2D-01062	1	右支架臂 - 发动机后悬置 Bracket Arm RH-Engine Rear Mounting		潍柴牵引车专用 Only For WEICHAI Tractor	
	10A2DQ-01062	1	右支架臂 - 发动机后悬置 Bracket Arm RH-Engine Rear Mounting		潍柴牵引车专用 Only For WEICHAI Tractor	
16	Q151B1235TF2	4	六角头螺栓 Hexagon Head Bolt			

## 发动机悬置系统 / ENGINE MOUNTING SYSTEM

10-CT



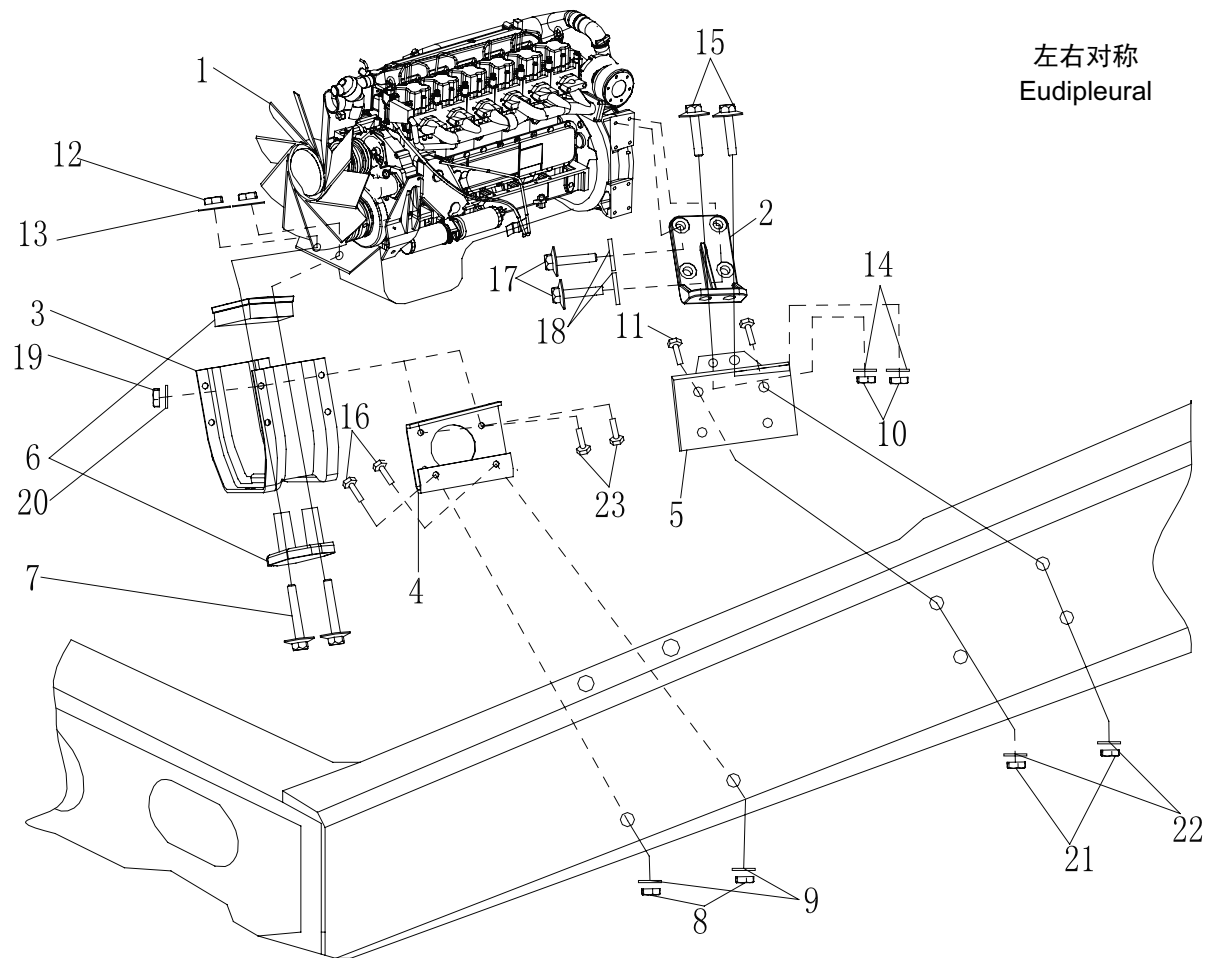
发动机系统 / ENGINE SYSTEM

10-308

序号 No.	件号 Part No.	数量 Quantity	名称 Name	规格 Specification	适用产品 Products Applied	备注 Remark
1	1000A52D-010	1	C9-350HP 发动机总成 (含 PTO) C9-350HP Engine Assembly(Including PTO)		C9 搅拌车 C9 Mixer	
	1000A52DQ-010	1	C9-350HP 发动机总成 C9-350H Engine Assembly		C9 牵引车, 自卸车, 货车 C9 Tractor, Dump Truck, Truck	
2	10A52DQY-01061	2	支架臂总成 - 发动机后悬置 Bracket Arm Assembly -Engine Rear Mounting			
3	28A52DQY-01120	1	第二横梁总成 Second Cross Member Assembly			
4	10A52DQY-01041	1	左支架 - 发动机前悬置 Bracket LH-Engine Front Mounting			
	10A52DQY-01042	1	右支架 - 发动机前悬置 Bracket RH-Engine Front Mounting			
5	10A52D-01060	2	软垫总成 - 发动机后悬置 Cushion Assembly-Engine Rear Mounting			
6	10A52D-01020	1	软垫总成 - 发动机前悬置 Cushion Assembly-Engine Front Mounting			
7	Q151B18115TF3	2	六角头螺栓 Hexagon Head Bolt			
8	Q340B14T13F2	8	I 型六角螺母 Hexagon Full Nut			
9	Q40514	8	重型弹簧垫圈 Heavy Spring Washer			
10	Q340B18T13F3	4	I 型六角螺母 Hexagon Full Nut			
11	Q150B1655TF3	8	六角头螺栓 Hexagon Head Bolt			
12	Q340B18T13F3	2	I 型六角螺母 Hexagon Full Nut			

## 发动机悬置系统 / ENGINE MOUNTING SYSTEM

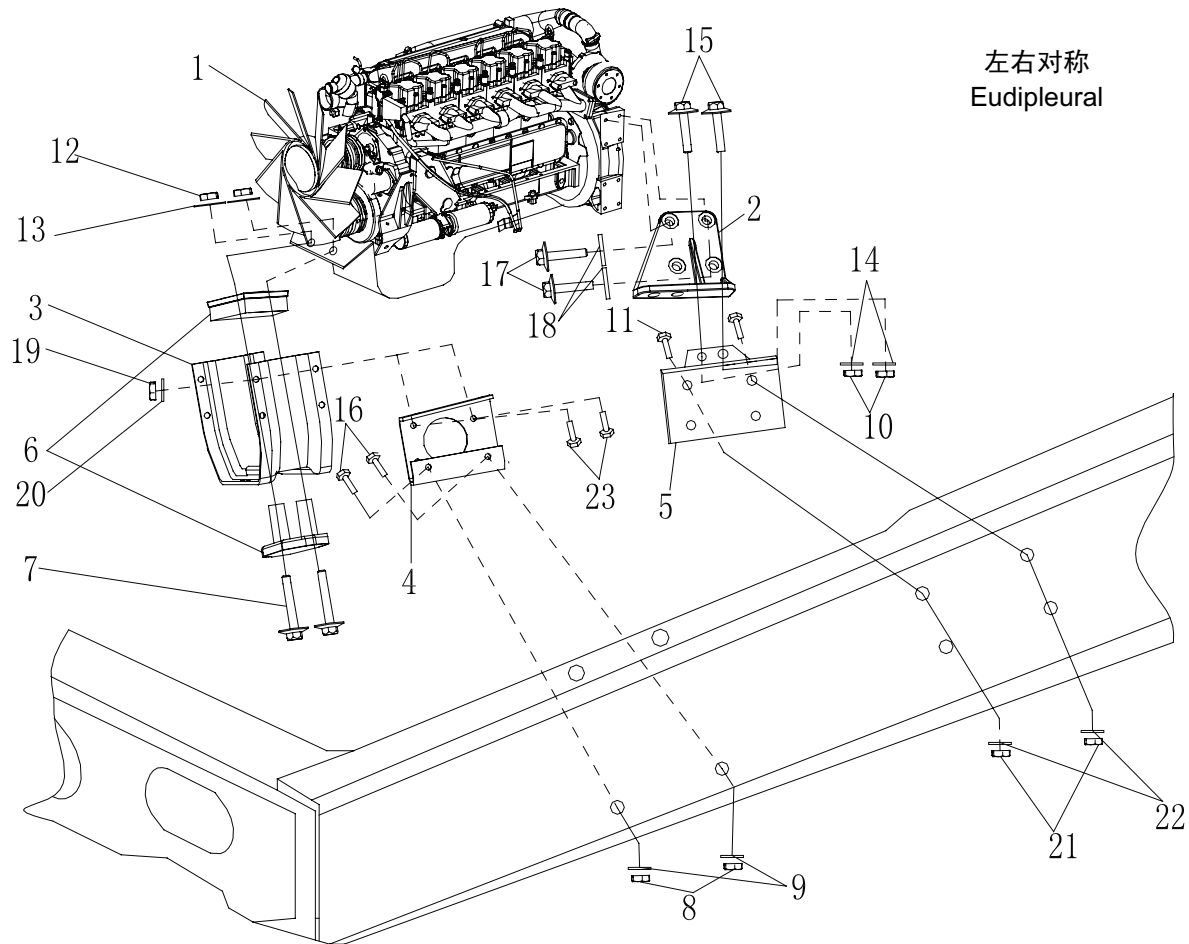
10-CT



序号 No.	件号 Part No.	数量 Quantity	名称 Name	规格 Specification	适用产品 Products Applied	备注 Remark
13	Q40318F3	2	弹簧垫圈 Spring Washer			
14	Q40316F3	8	弹簧垫圈 Spring Washer			
15	Q150B1865TF3	4	六角头螺栓 Hexagon Head Bolt			
16	Q150B1435TF2	8	六角头螺栓 Hexagon Head Bolt			
17	10A52DQ-01063	8	英制六角头螺栓 Hexagon Head Bolt(British Measurement)			
18	Q40318F3	8	弹簧垫圈 Spring Washer			
19	Q340B14T13F3	8	I型六角螺母 Hexagon Full Nut			
20	Q40314F3	8	弹簧垫圈 Spring Washer			
21	Q340B16T13F3	8	I型六角螺母 Hexagon Full Nut			
22	Q40316F3	8	弹簧垫圈 Spring Washer			
23	Q150B1440TF3	8	六角头螺栓 Hexagon Head Bolt			

## 发动机悬置系统 / ENGINE MOUNTING SYSTEM

10-CU



# 发动机系统 / ENGINE SYSTEM

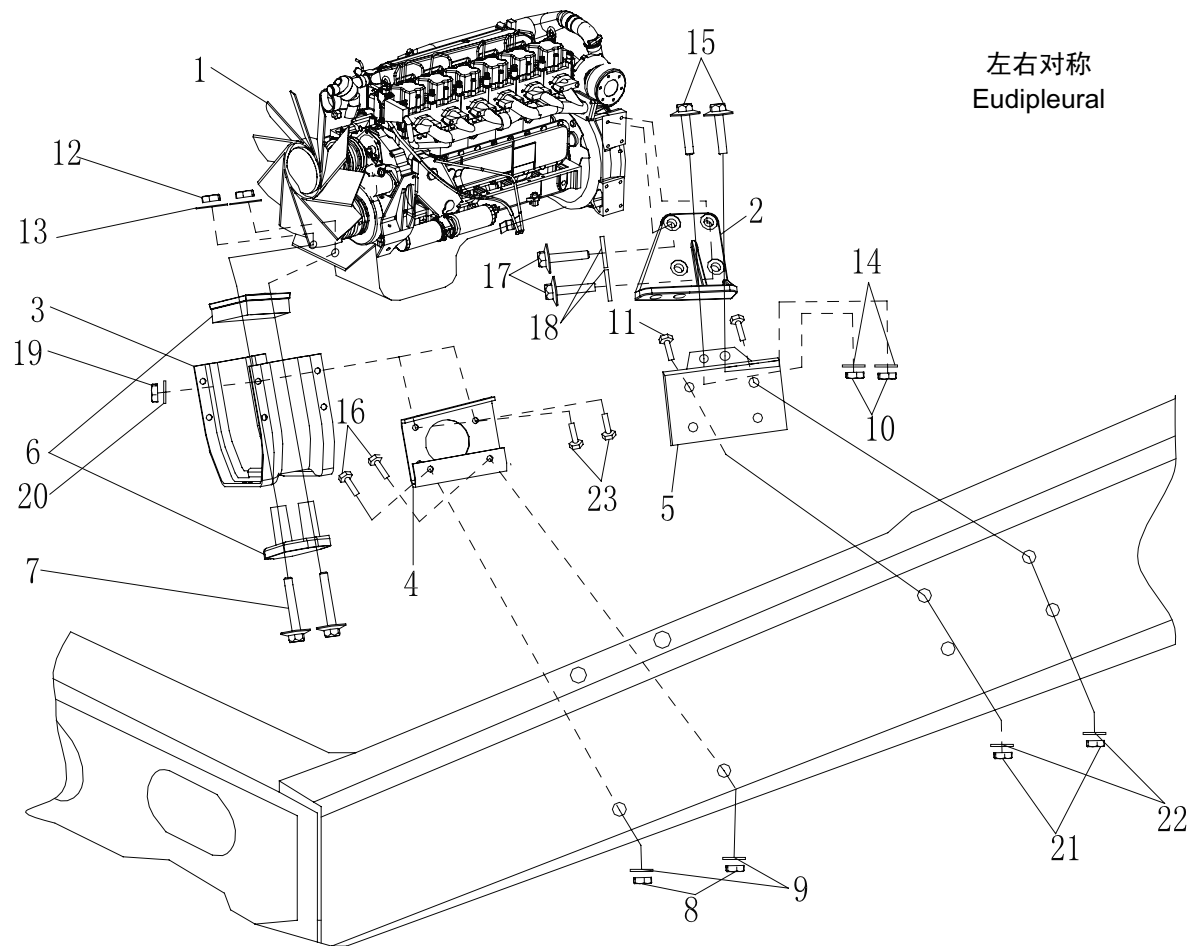
10-312

序号 No.	件号 Part No.	数量 Quantity	名称 Name	规格 Specification	适用产品 Products Applied	备注 Remark
1	1000A50DQ-010	1	C13-430HP 发动机总成 C13-430HP Engine Assembly		C13 牵引车 C13 Tractor	
2	10A50DQY-01061	1	左支架臂总成 - 发动机后悬置 Bracket Arm Assembly LH -Engine Rear Mounting			
	10A50DQY-01062	1	右支架臂总成 - 发动机后悬置 Bracket Arm Assembly RH -Engine Rear Mounting			
3	28A50DQY-01120	1	第二横梁总成 Second Cross Member Assembly			
4	10A50DQY-01041	1	左支架 - 发动机前悬置 Bracket LH-Engine Front Mounting			
	10A50DQY-01042	1	右支架 - 发动机前悬置 Bracket RH-Engine Front Mounting			
5	10A52D-01060	2	软垫总成 - 发动机后悬置 Cushion Assembly-Engine Rear Mounting			
6	10A52D-01020	1	软垫总成 - 发动机前悬置 Cushion Assembly-Engine Front Mounting			
7	Q151B18115TF3	2	六角头螺栓 Hexagon Head Bolt			
8	Q340B14T13F2	8	I 型六角螺母 Hexagon Full Nut			
9	Q40514	8	重型弹簧垫圈 Heavy Spring Washer			
10	Q340B18T13F3	4	I 型六角螺母 Hexagon Full Nut			
11	Q150B1655TF3	8	六角头螺栓 Hexagon Head Bolt			
12	Q340B18T13F3	2	I 型六角螺母 Hexagon Full Nut			



## 发动机悬置系统 / ENGINE MOUNTING SYSTEM

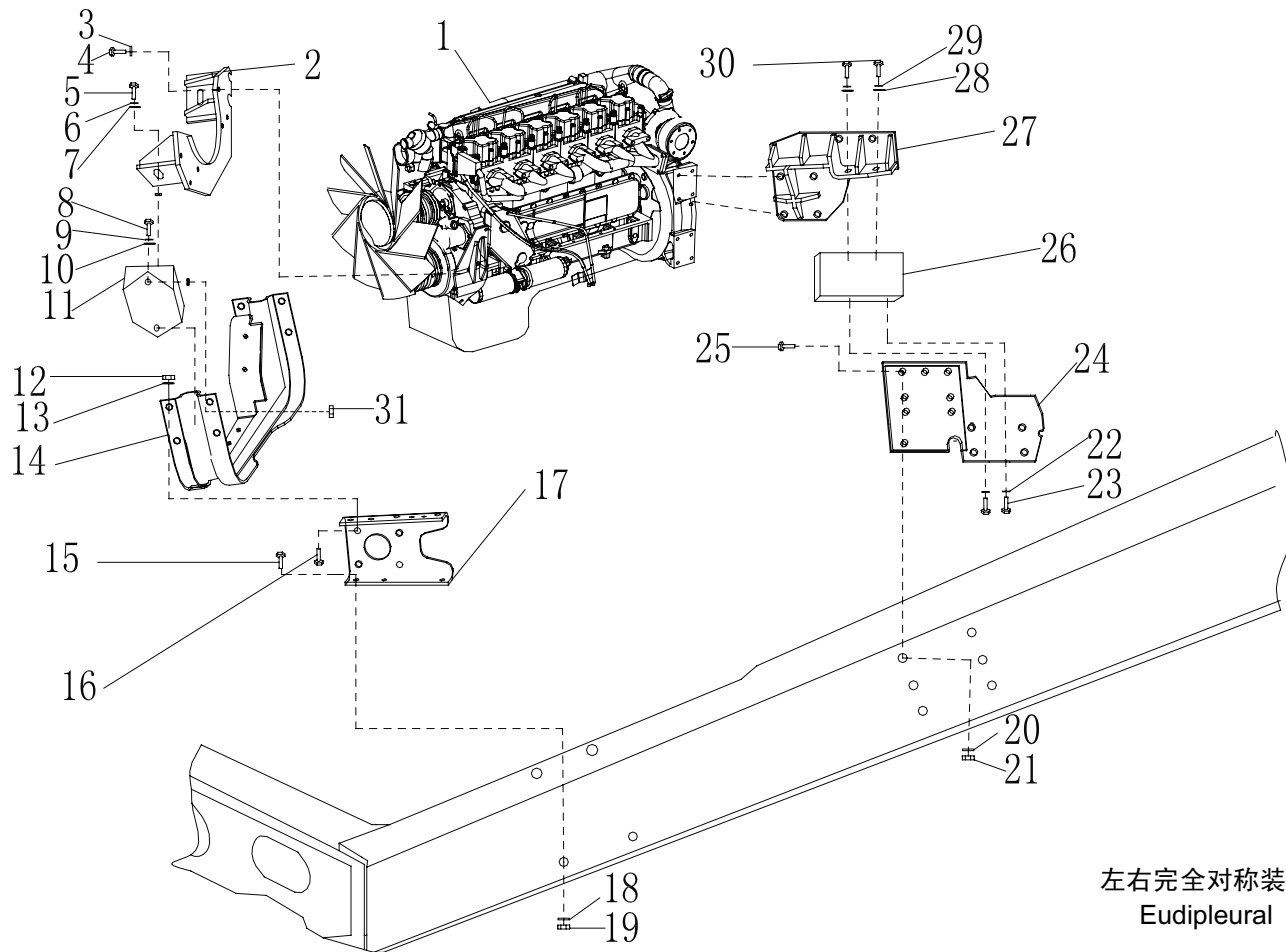
10-CU



序号 No.	件号 Part No.	数量 Quantity	名称 Name	规格 Specification	适用产品 Products Applied	备注 Remark
13	Q40318F3	2	弹簧垫圈 Spring Washer			
14	Q40316F3	8	弹簧垫圈 Spring Washer			
15	Q150B1865TF3	4	六角头螺栓 Hexagon Head Bolt			
16	Q150B1435TF2	8	六角头螺栓 Hexagon Head Bolt			
17	10A52DQ-01063	8	英制六角头螺栓 Hexagon Head Bolt(British Measurement)			
18	Q40318F3	8	弹簧垫圈 Spring Washer			
19	Q340B14T13F3	8	I型六角螺母 Hexagon Full Nut			
20	Q40314F3	8	弹簧垫圈 Spring Washer			
21	Q340B16T13F3	8	I型六角螺母 Hexagon Full Nut			
22	Q40316F3	8	弹簧垫圈 Spring Washer			
23	Q150B1440TF3	8	六角头螺栓 Hexagon Head Bolt			

## 发动机悬置系统 / ENGINE MOUNTING SYSTEM

10-CV



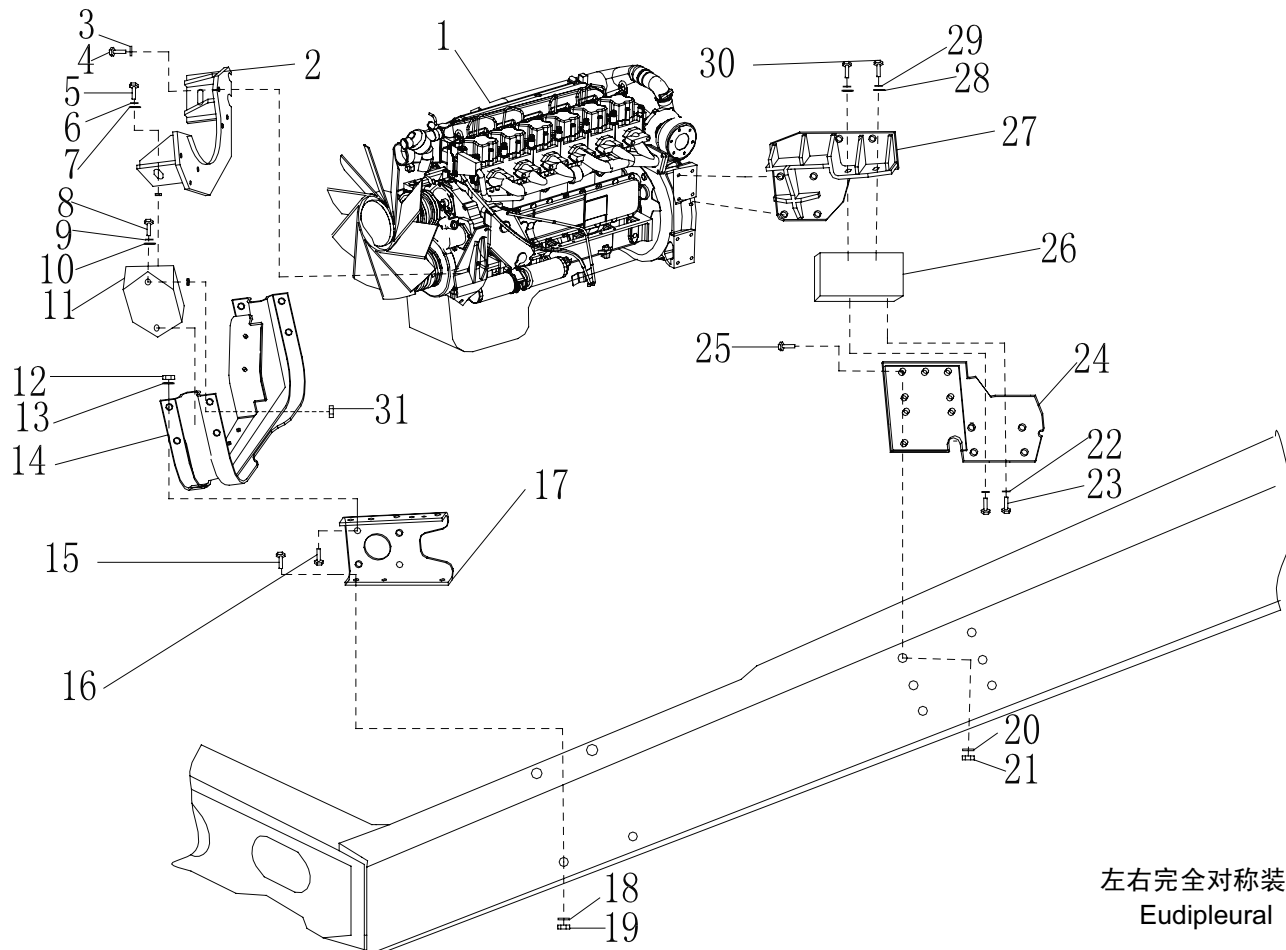
发动机系统 / ENGINE SYSTEM

10-316

序号 No.	件号 Part No.	数量 Quantity	名称 Name	规格 Specification	适用产品 Products Applied	备注 Remark
1			M11 系列发动机总成 M11 Series Engine Assembly			
2	10A22D-01051	1	支架臂总成 - 发动机前悬置 Bracket Arm Assembly -Engine Front Mounting			
3	Q40312F3	6	弹簧垫圈 Spring Washer			
4	Q150B1235TF2	6	六角头螺栓 Hexagon Head Bolt			
5	Q151B1220TF3	2	六角头螺栓 Hexagon Head Bolt			
6	Q40312F3	2	弹簧垫圈 Spring Washer			
7	Q40212	2	大垫圈 Big Washer			
8	Q150B0830	4	六角头螺栓 Hexagon Head Bolt			
9	Q40308F3	4	弹簧垫圈 Spring Washer			
10	Q40108	4	平垫圈 Plate Washer			
11	10A2D-01020	2	软垫总成 - 发动机前悬置 Cushion Assembly-Engine Front Mounting			
12	Q340B16T13F3	8	I 型六角螺母 Hexagon Full Nut			
13	Q40516F3	8	重型弹簧垫圈 Heavy Spring Washer			
14	28A22D-01120	1	第二横梁总成 Second Cross Member Assembly			

# 发动机悬置系统 / ENGINE MOUNTING SYSTEM

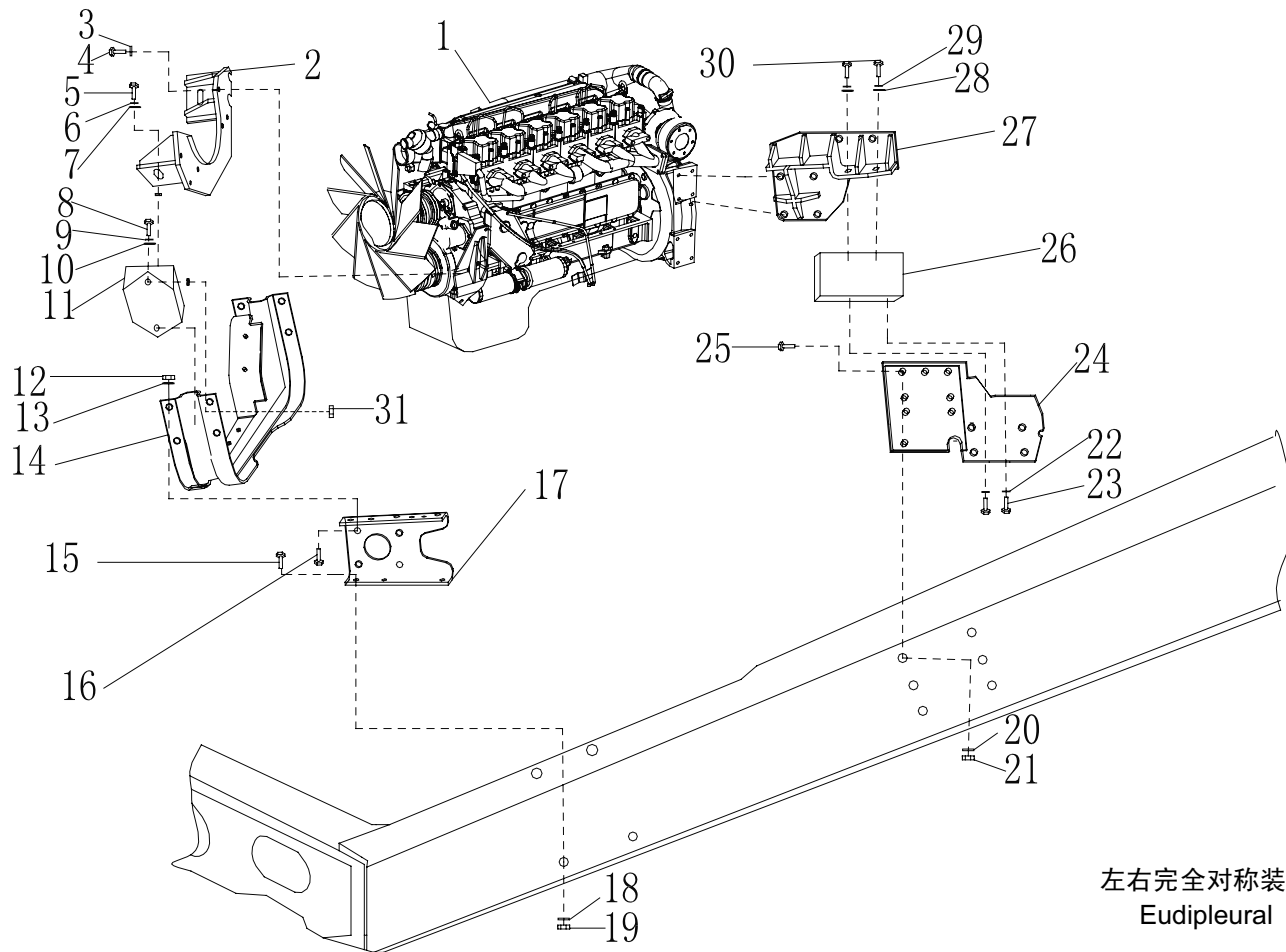
10-CV



序号 No.	件号 Part No.	数量 Quantity	名称 Name	规格 Specification	适用产品 Products Applied	备注 Remark
15	Q150B1435TF2	8	六角头螺栓 Hexagon Head Bolt			
16	Q150B1640TF3	8	六角头螺栓 Hexagon Head Bolt			
17	10A22D-01041	1	左支架 - 发动机前悬置 Bracket LH-Engine Front Mounting			
	10A22D-01042	1	右支架 - 发动机前悬置 Bracket RH-Engine Front Mounting			
18	Q40514	8	重型弹簧垫圈 Heavy Spring Washer			
19	Q340B14T13F2	8	I 型六角螺母 Hexagon Full Nut			
20	Q40514F3	8	重型弹簧垫圈 Heavy Spring Washer			
21	Q340B14T13F3	8	I 型六角螺母 Hexagon Full Nut			
22	Q40310F3	4	弹簧垫圈 Spring Washer			
23	Q150B1040TF3	4	六角头螺栓 Hexagon Head Bolt			
24	10A22DQ-01071	1	左支架 - 发动机后悬置 Bracket LH-Engine Rear Mounting		M11 非搅拌车系列 M11 Non Mixer Series	
	10A22DQ-01072	1	右支架 - 发动机后悬置 Bracket RH-Engine Rear Mounting		M11 非搅拌车系列 M11 Non Mixer Series	
	10A22D-01071	1	左支架 - 发动机后悬置 Bracket LH-Engine Rear Mounting		M11 搅拌车系列 M11 Mixer Series	
	10A22D-01072	1	右支架 - 发动机后悬置 Bracket RH-Engine Rear Mounting		M11 搅拌车系列 M11 Mixer Series	

## 发动机悬置系统 / ENGINE MOUNTING SYSTEM

10-CV







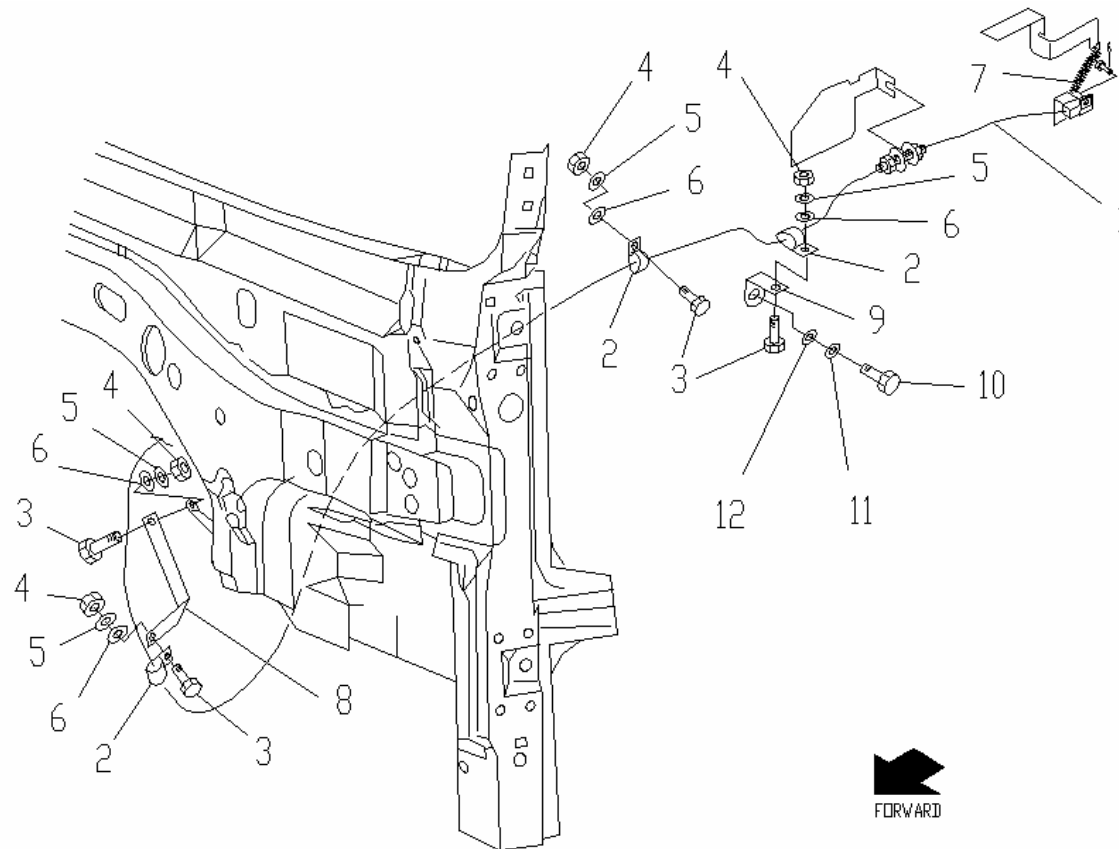
11

**供给系统**

***SUPPLY SYSTEM***

## 油门拉丝总成装置图 / THROTTLE CABLE ASSEMBLY

## 11-A



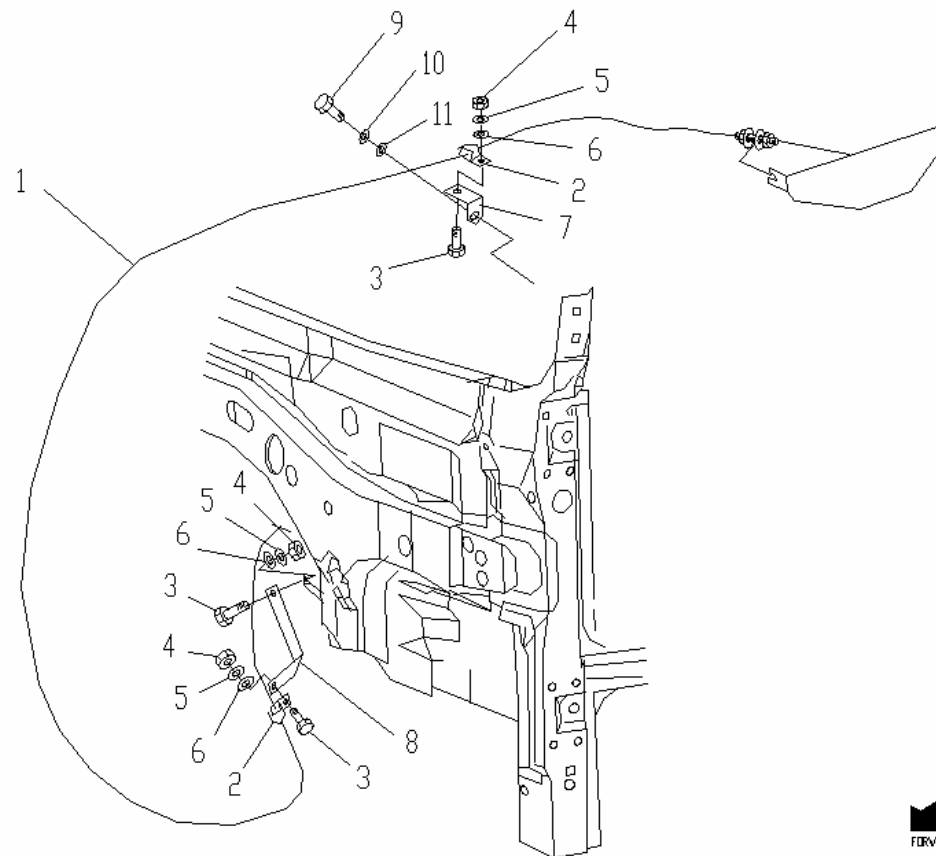
供给系统 / SUPPLY SYSTEM

11-2

序号 No.	件号 Part No.	数量 Quantity	名称 Name	规格 Specification	适用产品 Products Applied	备注 Remark
1	11A4D-08050	1	油门拉丝总成 Throttle Cable Assembly			
2	37A-33214	3	定位夹 Locating Clip			
3	Q150B0620	4	六角头螺栓 Hexagon Head Bolt			
4	Q340B06	4	I型六角螺母 Hexagon Full Nut			
5	Q40306	4	弹簧垫圈 Spring Washer			
6	Q40106	4	平垫圈 Plate Washer			
7	11A4D-08061	1	油门回位弹簧 Throttle Return Spring			
8	11A4D-08053	1	管夹支架III Tube Clamp Bracket III			
9	37AD-34068	1	支架 Bracket			
10	Q150B1016	1	六角头螺栓 Hexagon Head Bolt			
11	Q40110	1	平垫圈 Plate Washer			
12	Q40310	1	弹簧垫圈 Spring Washer			

## 油门拉丝总成装置图 / THROTTLE CABLE ASSEMBLY

11-B



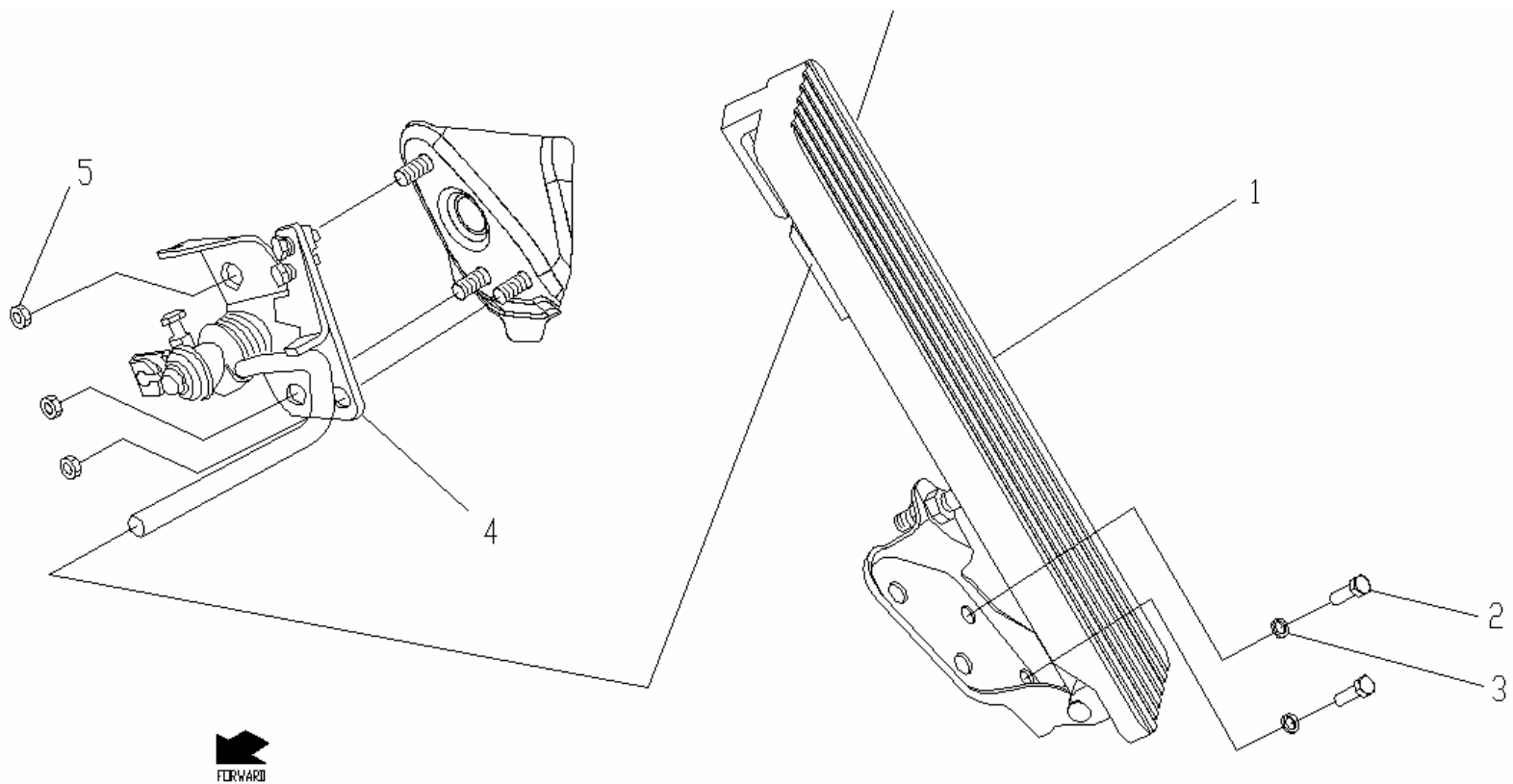
## 供给系统 / SUPPLY SYSTEM

11-4

序号 No.	件号 Part No.	数量 Quantity	名称 Name	规格 Specification	适用产品 Products Applied	备注 Remark
1	11A2DQ-08050	1	油门拉丝总成 Throttle Cable Assembly			
2	37A-33214	2	定位夹 Locating Clip			
3	Q150B0620	3	六角头螺栓 Hexagon Head Bolt			
4	Q340B06	3	I型六角螺母 Hexagon Full Nut			
5	Q40306	3	弹簧垫圈 Spring Washer			
6	Q40106	3	平垫圈 Plate Washer			
7	11AD-08041	1	管夹支架 I Tube Clamp Bracket I			
8	11A4D-08053	1	管夹支架III Tube Clamp Bracket III			
9	Q150B0820	1	六角头螺栓 Hexagon Head Bolt			
10	Q40108	1	平垫圈 Plate Washer			
11	Q40308	1	弹簧垫圈 Spring Washer			

## 加速油门踏板总成装置图 / ACCELERATOR PEDAL ASSEMBLY

11-C



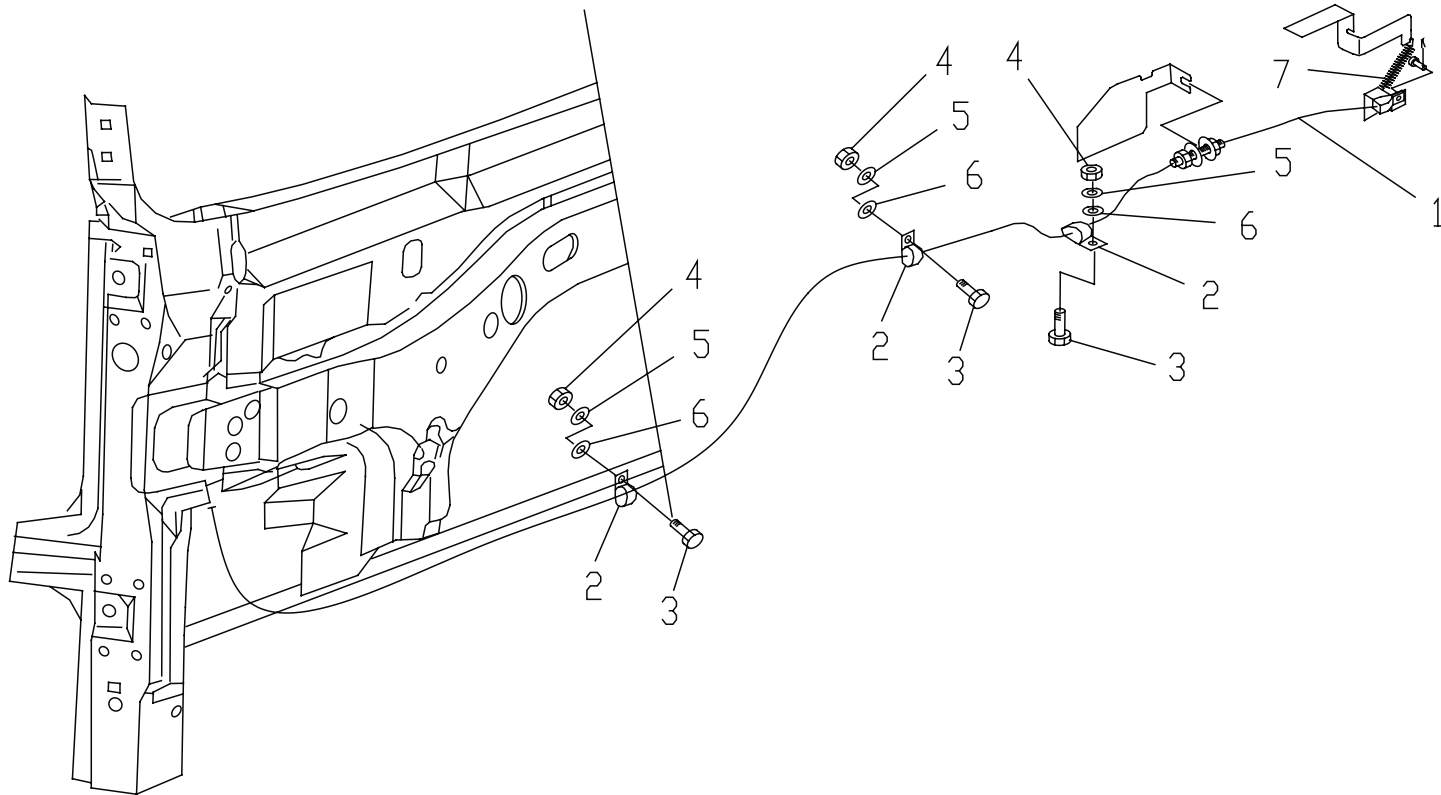
## 供给系统 / SUPPLY SYSTEM

11-6

序号 No.	件号 Part No.	数量 Quantity	名称 Name	规格 Specification	适用产品 Products Applied	备注 Remark
1	11AD-08010	1	加速油门踏板总成 Accelerator Pedal Assembly			
2	Q150B0816	2	六角头螺栓 Hexagon Head Bolt			
3	Q40308	2	弹簧垫圈 Spring Washer			
4	11AD-08020	1	加速油门连接总成 Accelerator Connecting Assembly			
5	Q350B08	3	六角薄螺母 Hexagon Thin Nut			

## 油门拉丝总成装置图 / THROTTLE CABLE ASSEMBLY

11-D

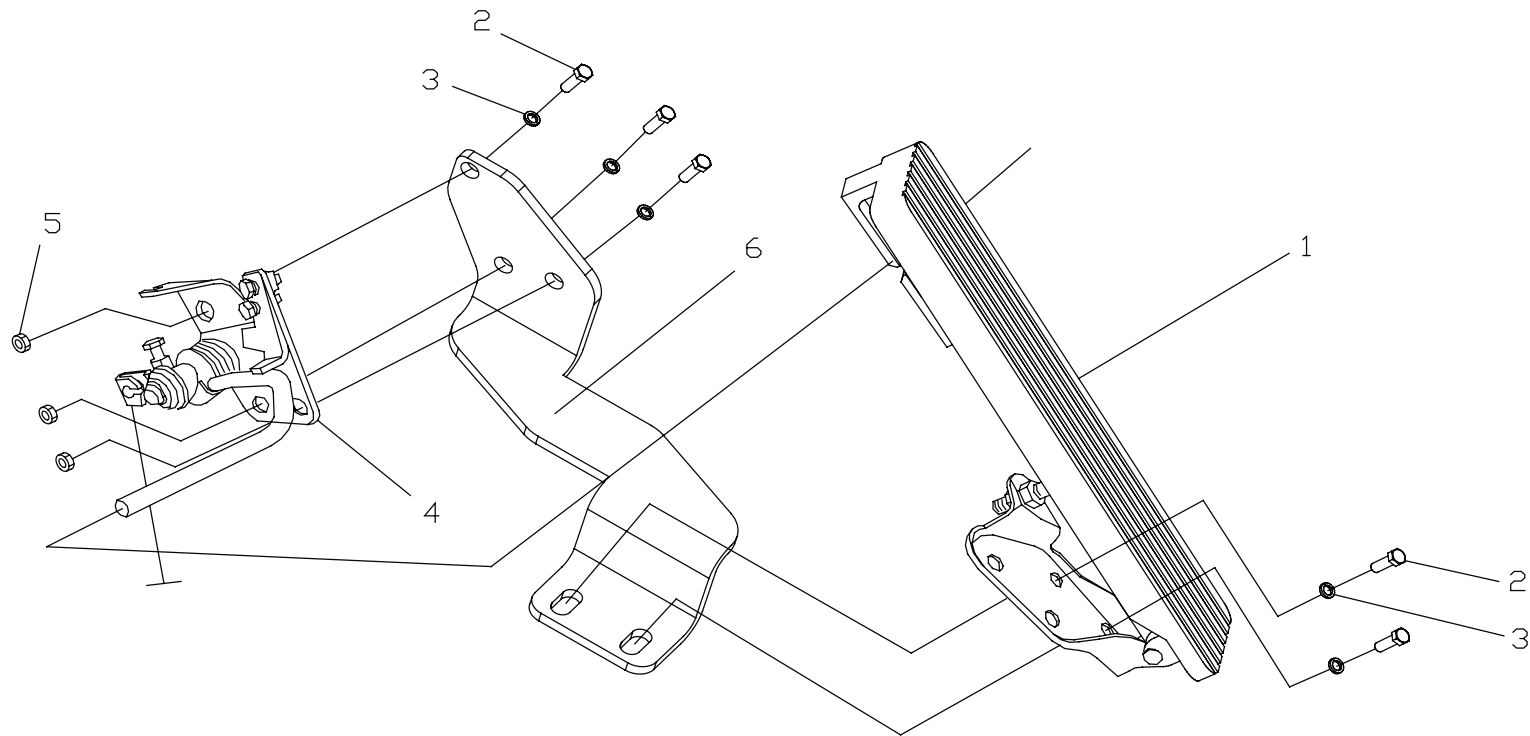




序号 No.	件号 Part No.	数量 Quantity	名称 Name	规格 Specification	适用产品 Products Applied	备注 Remark
1	11A21DY-08050	1	油门拉丝总成 Throttle Cable Assembly			
2	37A-33214	3	定位夹 Locating Clip			
3	Q150B0620	3	六角头螺栓 Hexagon Head Bolt			
4	Q340B06	3	I型六角螺母 Hexagon Full Nut			
5	Q40306	3	弹簧垫圈 Spring Washer			
6	Q40106	3	平垫圈 Plate Washer			
7	11A4D-08061	1	油门回位弹簧 Throttle Return Spring			

## 加速油门踏板总成装置图 / ACCELERATOR PEDAL ASSEMBLY

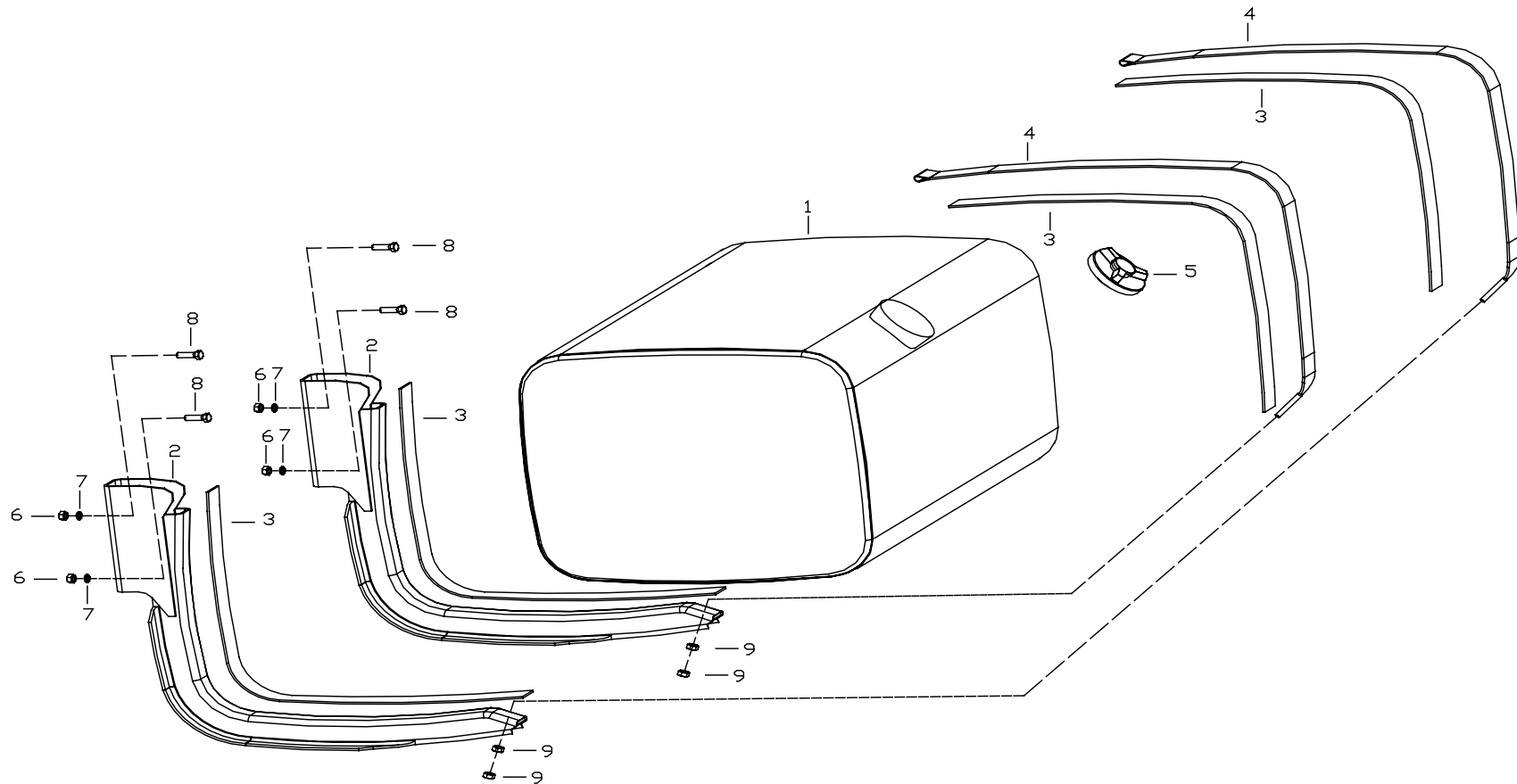
11-E



序号 No.	件号 Part No.	数量 Quantity	名称 Name	规格 Specification	适用产品 Products Applied	备注 Remark
1	11AD-08010	1	加速油门踏板总成 Accelerator Pedal Assembly			
2	Q150B0820	5	六角头螺栓 Hexagon Head Bolt			
3	Q40308	5	弹簧垫圈 Spring Washer			
4	11AD-08020	1	加速油门连接总成 Accelerator Connecting Assembly			
5	Q350B08	3	六角薄螺母 Hexagon Thin Nut			
6	12A21DY-0802	1	油门支架 Throttle Bracket			

## 燃油箱 I / FUEL TANK I

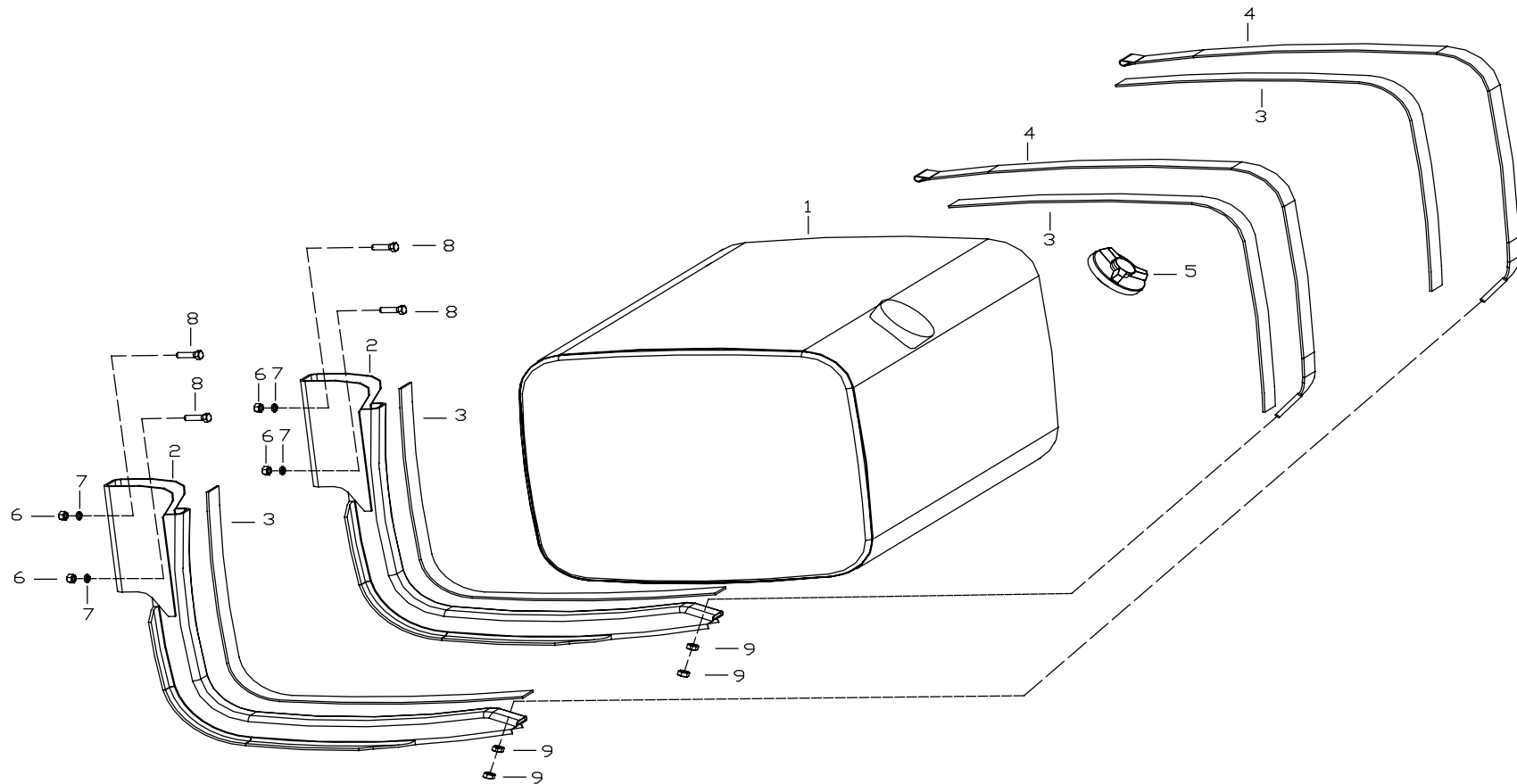
11-F



序号 No.	件号 Part No.	数量 Quantity	名称 Name	规格 Specification	适用产品 Products Applied	备注 Remark
1	1101AH43DQ-010	1	燃油箱总成 Fuel Tank Assembly	380L	货车、四桥车 Truck,4-Axle Vehicle	
	1101AH43D-010	1	燃油箱总成 Fuel Tank Assembly	250L	非四桥搅拌车、非四桥自卸车 Non 4-Axle Mixer,Non 4-Axle Dump Truck	
	1101AH50D-010	1	燃油箱总成 Fuel Tank Assembly	245L	非四桥搅拌车、非四桥自卸车 Non 4-Axle Mixer,Non 4-Axle Dump Truck	铝合金 Aluminium Alloy
	1101AH50D-020	1	燃油箱总成 Fuel Tank Assembly	300L	用户特殊要求车型 Customer Special Request Model	铝合金 Aluminium Alloy
	1101AH50DQ-010	1	燃油箱总成 Fuel Tank Assembly	350L	牵引车、货车、四桥车 Tractor,Truck,4-Axle Vehicle	铝合金 Aluminium Alloy
	1101AH43DQ-020	1	燃油箱总成 Fuel Tank Assembly	320L	用户特殊要求车型 Customer Special Request Model	
	1101AH43DQ-020-A	1	燃油箱总成 Fuel Tank Assembly	320L	燃油预热 Fuel Preheating	
	1101AH43DQ-010-C	1	燃油箱总成 Fuel Tank Assembly	380L	燃油预热 Fuel Preheating	
	1101AH43DQ-010-A	1	燃油箱总成 Fuel Tank Assembly	250L	燃油预热 Fuel Preheating	
2	11AH43DQ-01016	2	油箱托架总成 Tank Bracket Assembly			
	11AH50D-01015	2	油箱托架总成 Tank Bracket Assembly			铝合金 Aluminium Alloy
3	11AH43DQ-01017	4	托架垫带 Bracket Flap			
	11AH50D-01016	2	托架垫带 Bracket Flap			铝合金 Aluminium Alloy

## 燃油箱 I / FUEL TANK I

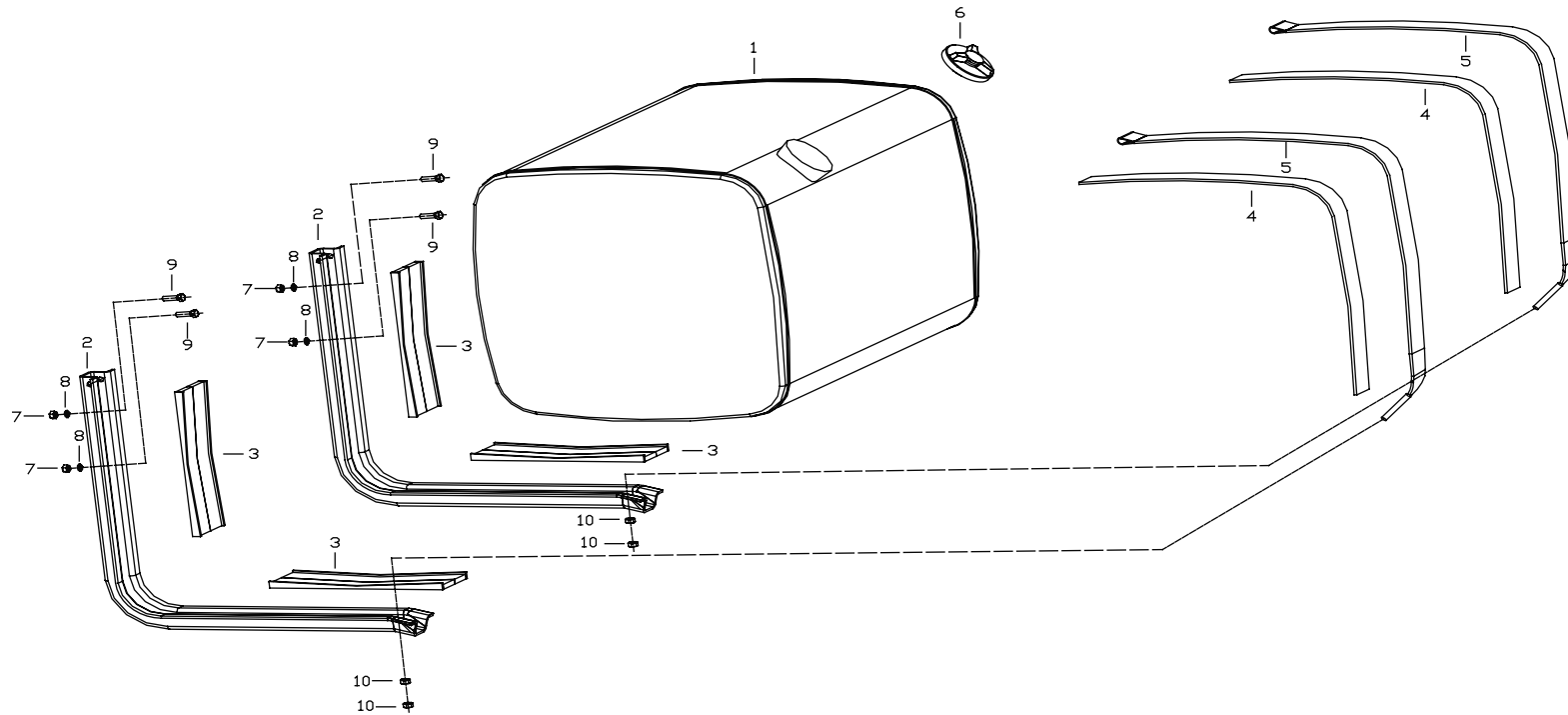
11-F



序号 No.	件号 Part No.	数量 Quantity	名称 Name	规格 Specification	适用产品 Products Applied	备注 Remark
4	11AH43DQ-01018	2	扎带总成 Band Assembly			
	11AH50D-01017	2	扎带总成 Band Assembly			铝合金 Aluminium Alloy
5	1103AD-010	1	燃油箱盖 Fuel Tank Cover			
	1103AH50D-010	1	燃油箱盖 Fuel Tank Cover			铝合金 Aluminium Alloy
6	Q340B16	4	I型六角螺母 Hexagon Full Nut			
7	Q40316	4	弹簧垫圈 Spring Washer			
8	Q150B1655TF3	4	六角头螺栓 Hexagon Head Bolt			
9	Q340B12	4	I型六角螺母 Hexagon Full Nut			

## 燃油箱 II / FUEL TANK II

11-G





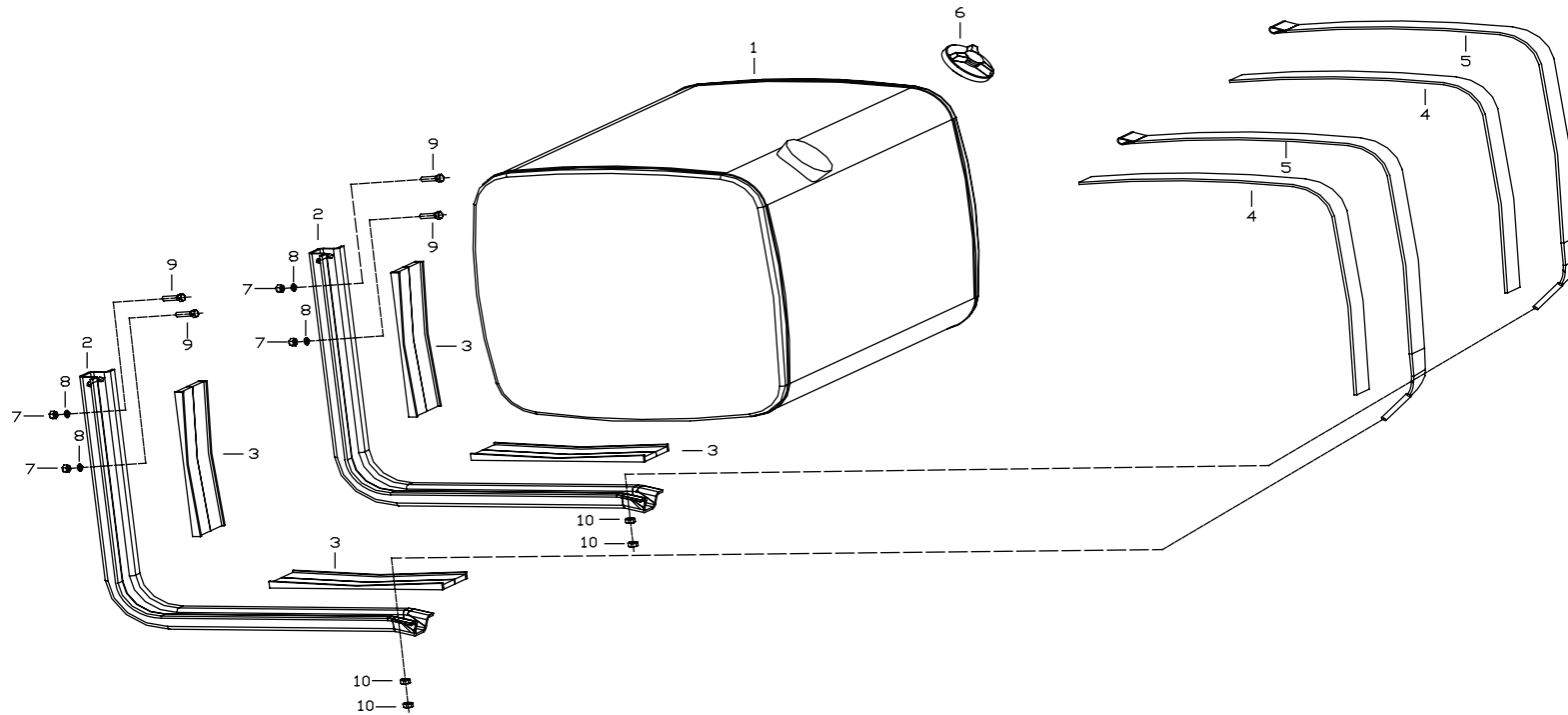
供给系统 / SUPPLY SYSTEM

11-16

序号 No.	件号 Part No.	数量 Quantity	名称 Name	规格 Specification	适用产品 Products Applied	备注 Remark
1	1101AH82DQ-010	1	燃油箱总成 Fuel Tank Assembly	450L	6×4 及 4×2 牵引车 6×4 And 4×2 Tractor	
	1101AH50DQ-020	1	燃油箱总成 Fuel Tank Assembly	500L	用户特殊要求牵引车 Customer Special Request Tractor	铝合金 Aluminium Alloy
	1101AH23DQ-010	1	燃油箱总成 Fuel Tank Assembly	650L	用户特殊要求牵引 Customer Special Request Tractor	铝合金 Aluminium Alloy
	1101EH39DQ17-010	1	燃油箱总成 Fuel Tank Assembly	320L	2750+1310 浮动桥牵引车型 2750+1310 Floating Axle Tractor Model	
2	11AH82DQ-01015	2	油箱托架总成 Tank Bracket Assembly		1101AH82DQ-01、1101EH39DQ17-010	
	11AH50DQ-01015	2	油箱托架总成 Tank Bracket Assembly		1101AH50DQ-020	
		3	油箱托架总成 Tank Bracket Assembly		1101AH23DQ-010	
3	11AH82DQ-01016	4	托架垫带 Bracket Flap		1101AH82DQ-01、1101EH39DQ17-010	
	11AH50DQ-01016	4	托架垫带 Bracket Flap		1101AH50DQ-020	
		6	托架垫带 Bracket Flap		1101AH23DQ-010	
4	11AH82DQ-01017	2	托架垫带 Bracket Flap		1101AH82DQ-01、1101EH39DQ17-010	
	11AH50DQ-01018	2	扎带总成 Band Assembly		1101AH50DQ-020	
		3	扎带总成 Band Assembly		1101AH23DQ-010	
5	11AH82DQ-01018	2	扎带总成 Band Assembly		1101AH82DQ-01、1101EH39DQ17-010	

## 燃油箱 II / FUEL TANK II

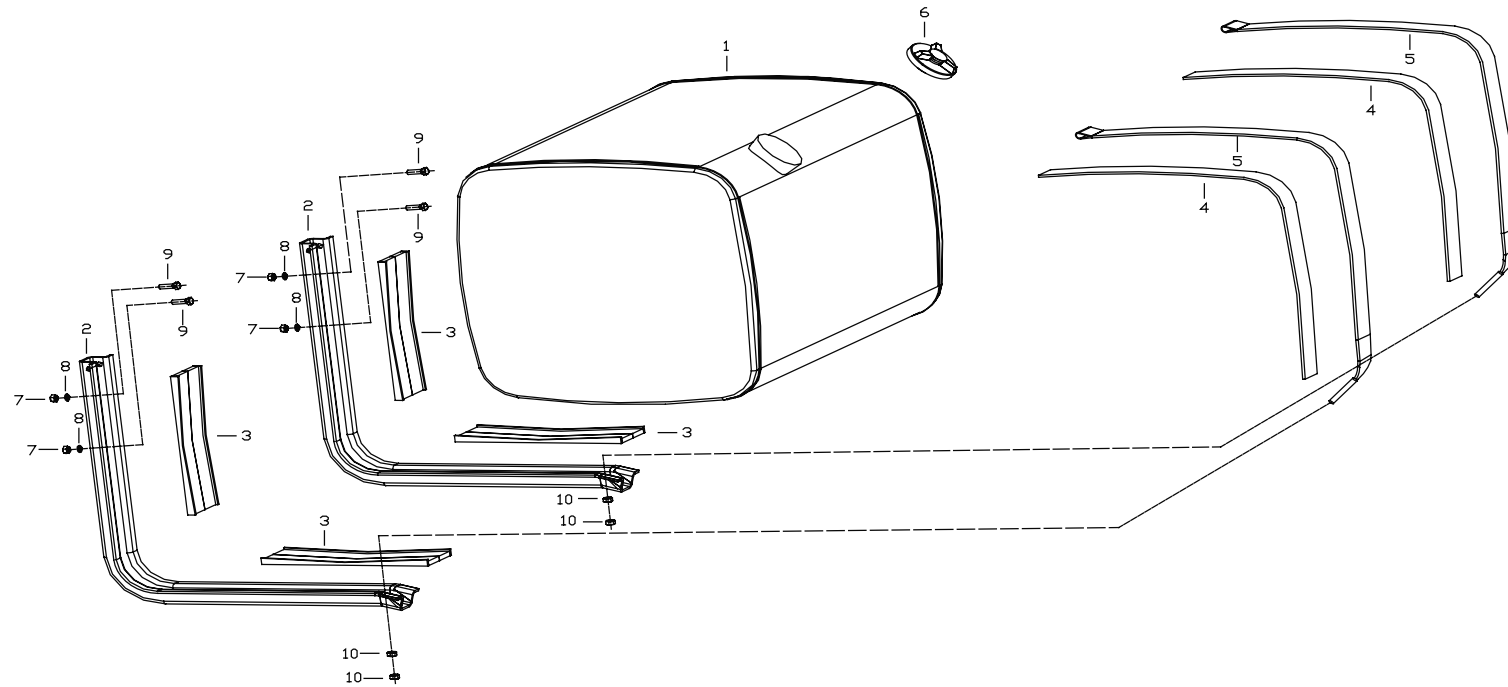
11-G



序号 No.	件号 Part No.	数量 Quantity	名称 Name	规格 Specification	适用产品 Products Applied	备注 Remark
5	11AH50DQ-01017	2	扎带总成 Band Assembly		1101AH50DQ-020	
		3	扎带总成 Band Assembly		1101AH23DQ-010	
6	1103AD-010	1	燃油箱盖 Fuel Tank Cover			
	1103AH50D-010	1	燃油箱盖 Fuel Tank Cover			铝合金 Aluminium Alloy

## 燃油箱 II / FUEL TANK II

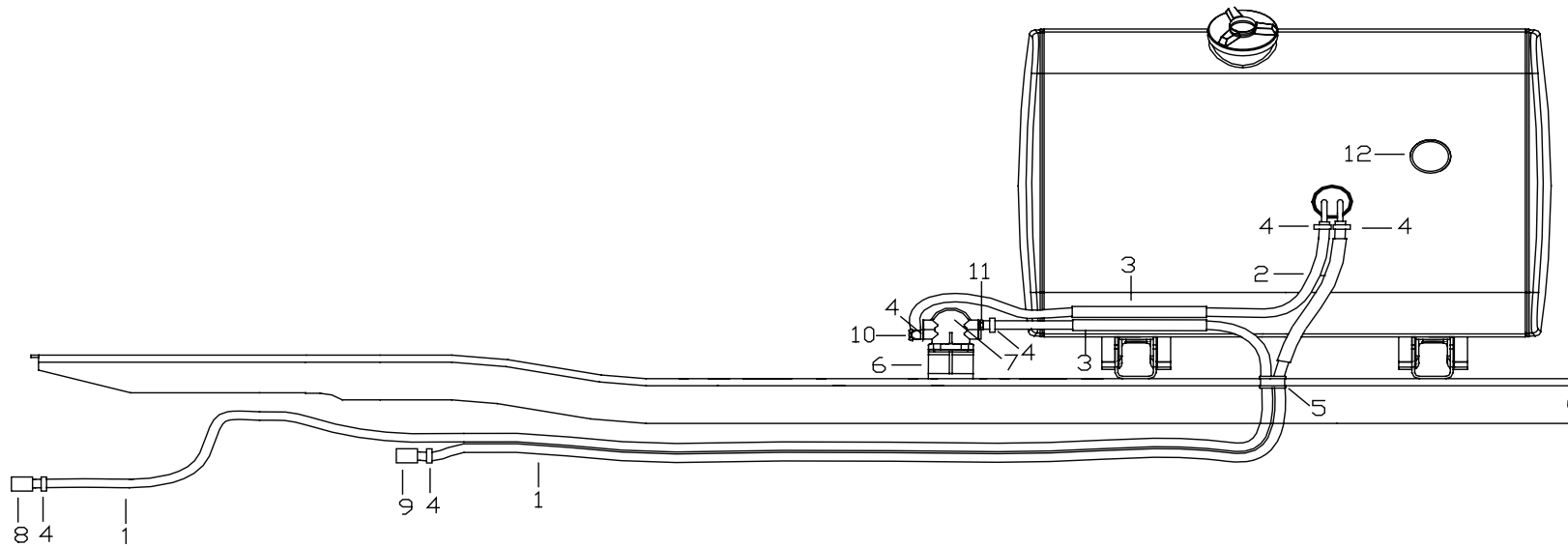
11-G



序号 No.	件号 Part No.	数量 Quantity	名称 Name	规格 Specification	适用产品 Products Applied	备注 Remark
1	Q340B16	4	I型六角螺母 Hexagon Full Nut		1101AH82DQ-01、1101EH39DQ17-010	1101AH50DQ-020
		6	I型六角螺母 Hexagon Full Nut		1101AH23DQ-010	
2	Q40316	4	弹簧垫圈 Spring Washer		1101AH82DQ-01、1101EH39DQ17-010	1101AH50DQ-020
		6	弹簧垫圈 Spring Washer		1101AH23DQ-010	
3	Q150B1655TF3	4	六角头螺栓 Hexagon Head Bolt		1101AH82DQ-01、1101EH39DQ17-010	1101AH50DQ-020
		6	六角头螺栓 Hexagon Head Bolt		1101AH23DQ-010	
4	Q340B12	4	I型六角螺母 Hexagon Full Nut		1101AH82DQ-01、1101EH39DQ17-010	1101AH50DQ-020
		6	I型六角螺母 Hexagon Full Nut		1101AH23DQ-010	

## 供给系管路 I / SUPPLY SYSTEM LINE I

11-H



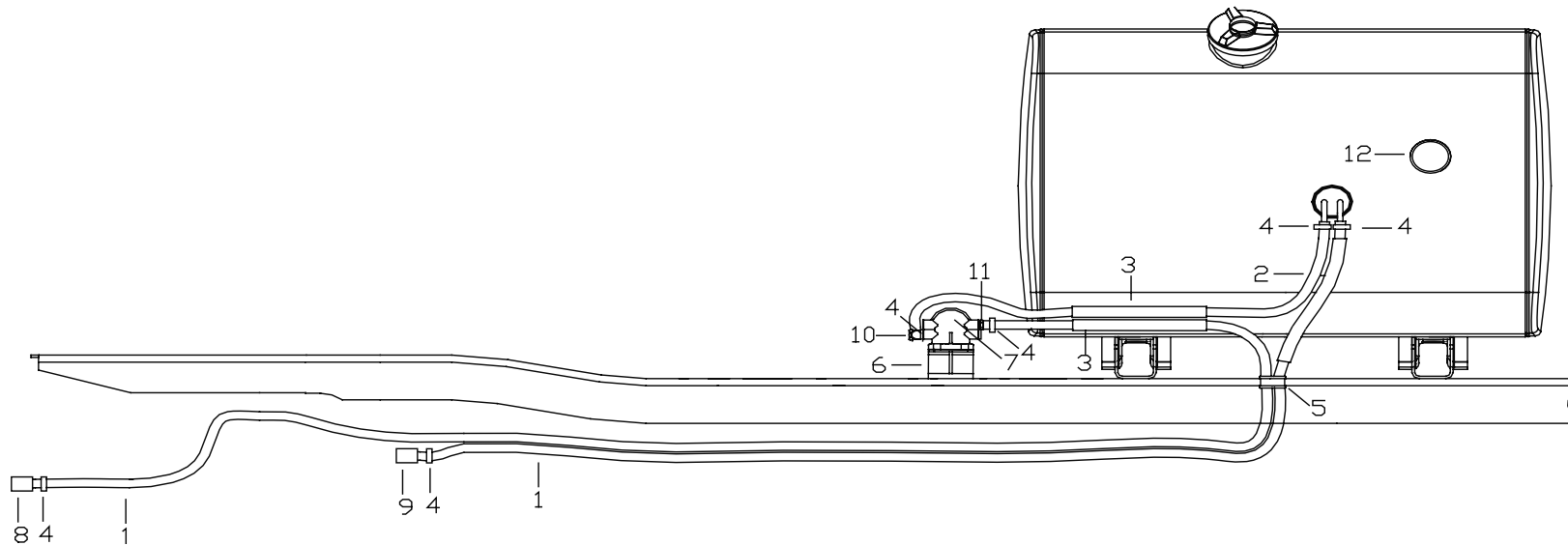
供给系统 / SUPPLY SYSTEM

11-22

序号 No.	件号 Part No.	数量 Quantity	名称 Name	规格 Specification	适用产品 Products Applied	备注 Remark
1	11A4D-04016	2	燃油管 Fuel Pipe	Φ9.5,3.7 m	非 M11,WP10,ISLe 发动机 3600+1350 Non M11, WP10,ISLe Engine 3600+1350	
	11A5DQ-04013	2	燃油管 Fuel Pipe	Φ9.5,2.9 m	非 M11,WP10,ISLe 发动机 3200+1350,3400 Non M11, WP10,ISLe Engine 3200+1350,3400	牵引车 Tractor
	11ADP-04011	1	燃油管 Fuel Pipe	Φ9.5,12m	非 M11,WP10,ISLe 发动机其它轴距 Non M11,WP10,ISLe Engine Other Wheel Base	
	11A22D-04011	1	燃油管 Fuel Pipe	Φ13,20 m	M11,WP10,ISLe	
	11AH22D-01107	1	电热输油管—发动机至粗滤器 Electrically Heated Oil-delivery Pipe-Engine To Prefilter		M11,L 系列发动机 3600+1350 轴距 M11,L Series Engine 3600+1350 Wheel Base	燃油预热 Fuel Preheating
	11AH22DP4-01107	1	电热输油管—发动机至粗滤器 Electrically Heated Oil-delivery Pipe-Engine To Prefilter		M11 发动机 1850+3370+1350 轴距 M11 Engine 1850+3370+1350 Wheel Base	燃油预热 Fuel Preheating
	11AH17D-01107	1	电热输油管—发动机至粗滤器 Electrically Heated Oil-delivery Pipe-Engine To Prefilter		斯太尔发动机 3600+1350 轴距 STEYR Engine 3600+1350 Wheel Base	燃油预热 Fuel Preheating
	11AHD-01107	1	电热输油管—发动机至粗滤器 Electrically Heated Oil-delivery Pipe-Engine To Prefilter		三菱发动机 3600+1350 轴距 MITSUBISHI Engine 3600+1350 Wheel Base	燃油预热 Fuel Preheating
2	11A5DQ-04011	1	燃油管 Fuel Pipe	Φ9.5,1.4m		
	11AHD-01108		电热输油管—粗滤器至燃油箱 Electrically Heated Oil-delivery Pipe- Prefilter To Fuel Tank			燃油预热 Fuel Preheating
3	11AD-04021	2	油管保护圈 Fuel Line Protective Washer			
4	Q67522	6	A 型蜗杆传动式软管环箍 A Type Worm Transmission Hose Snap Ring			
5	37AD-24016	1	翻转线束橡胶护圈 Roll-Over Wire Harness Protective Rubber Sleeve			
6	11AD-25015	1	支架总成—油水分离器 Bracket Assembly--Oil-Water Separator		非牵引车 Non Tractor	

## 供给系管路 I / SUPPLY SYSTEM LINE I

11-H

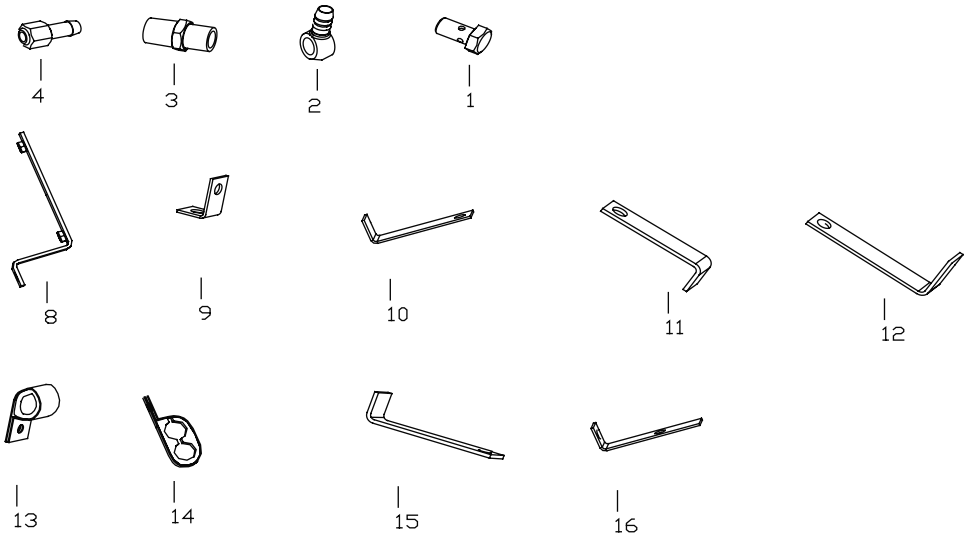
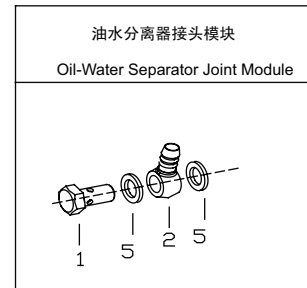
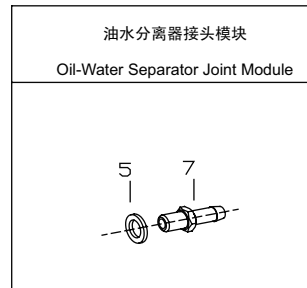
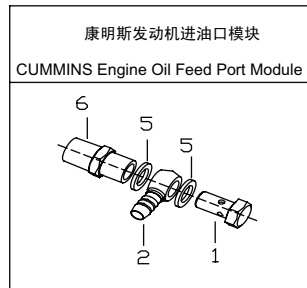




序号 No.	件号 Part No.	数量 Quantity	名称 Name	规格 Specification	适用产品 Products Applied	备注 Remark
6	11ADQ-25015	1	支架总成—油水分离器 Bracket Assembly--Oil-Water Separator		牵引车 Tractor	
	11AH68D-25011	1	油水分离器支架 Oil-Water Separator Bracket		ISLe 发动机 ISLe Engine	
7	1125AD-010	1	油水分离器总成 Oil-Water Separator Assembly		除 WP10, ISLe, 卡特彼勒发动机, 燃油预热 Except WP10, ISLe, CARTER Engine, Fuel Preheating	
	11AH17D-01106	1	电子粗滤器 Electronic Prefilter			燃油预热 Fuel Preheating
	1125AH52D-010	1	油水分离器总成 Oil-Water Separator Assembly		卡特彼勒发动机 CARTER Engine	
	1125AH68D-010	1	油水分离器总成 Oil-Water Separator Assembly		ISLe 发动机 ISLe Engine	
8	11AH17D-01105	1	热吸油管总成 Hot Oil-Suck Pipe Assembly			燃油预热 Fuel Preheating

供给系管路 II / SUPPLY SYSTEM LINE II

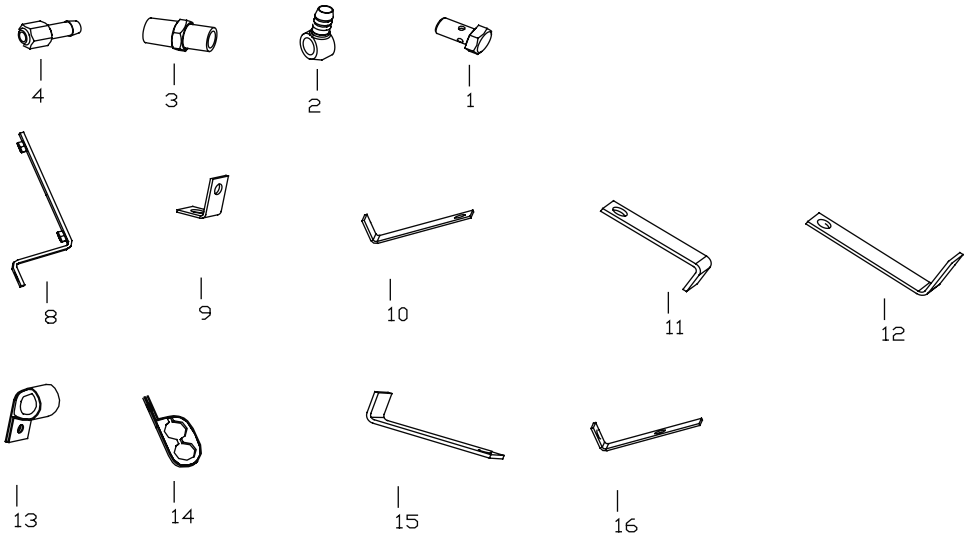
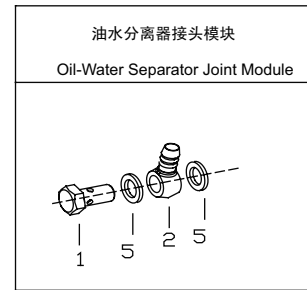
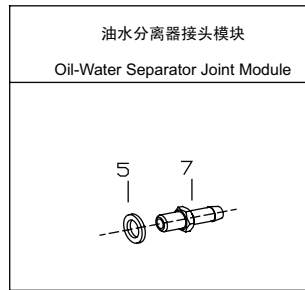
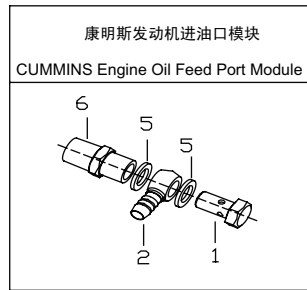
11-1



序号 No.	件号 Part No.	数量 Quantity	名称 Name	规格 Specification	适用产品 Products Applied	备注 Remark
1	11AD-25022	2	接头 II Joint II		康明斯 L 及 C 系列发动机 CUMMINS L And C Series Engine	
		1	接头 II Joint II		1125AD-010	
		4	接头 II Joint II			燃油预热 Fuel Preheating
2	11AD-25021	2	接头 I Joint I		康明斯 L 及 C 系列及潍柴发动机 CUMMINS L And C Series , WEICHAI Engine	
3	11A22D-04023	1	接头 Joint		M11 发动机燃油预热 M11 Engine Fuel Preheating	
4	11A4D-04022	1	回油口接头 Oil Return Port Joint		康明斯 L 及 C 系列发动机 CUMMINS L And C Series Engine	
	11A22D-04021	1	进油管接头 Oil Feed Tube Joint		M11 及 ISLe 发动机 M11 And ISLe Engine	
	11A22D-04022	1	回油口接头 Oil Return Port Joint		M11 及 ISLe 发动机 M11 And ISLe Engine	
	11A50D-04021	1	进油管接头 Oil Feed Tube Joint		卡特彼勒发动机 CARTER Engine	
	11A50D-04022	1	回油口接头 Oil Return Port Joint		卡特彼勒发动机 CARTER Engine	
5	Q72314	5	密封垫圈 Seal Washer		康明斯 L 及 C 系列及潍柴发动机 CUMMINS L And C Series , WEICHAI Engine	
		3	密封垫圈 Seal Washer		1125AD-010	
	Q72322	2	密封垫圈 Seal Washer		1125AH68D-010	
	Q72320	2	密封垫圈 Seal Washer		1125AH52D-010	

供给系管路 II / SUPPLY SYSTEM LINE II

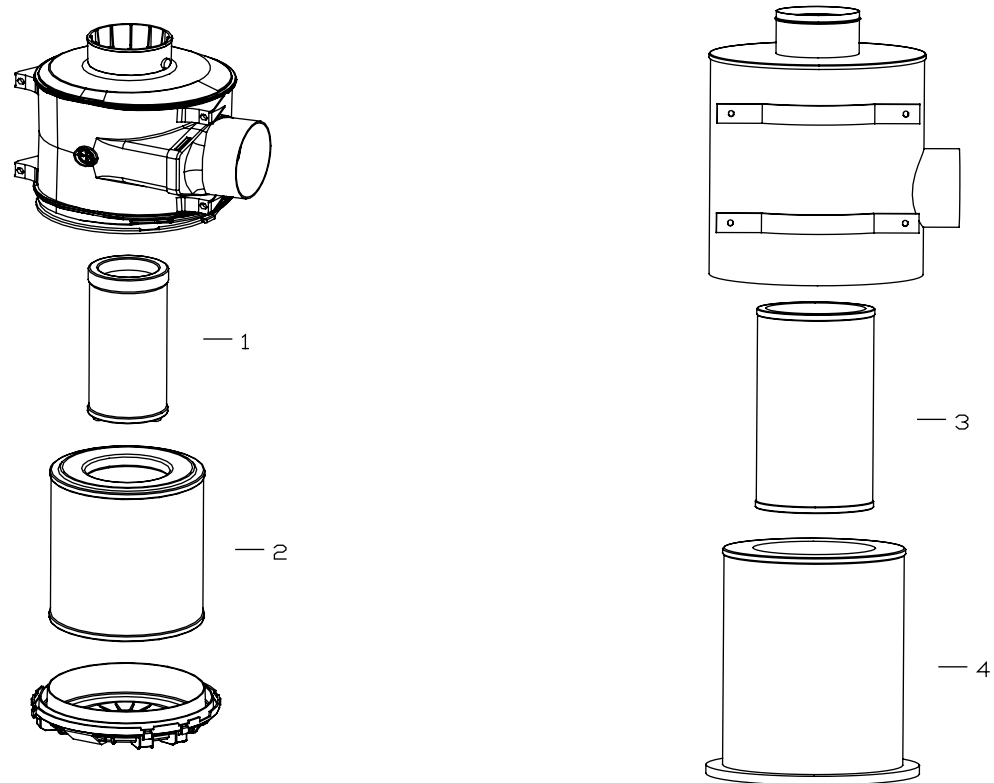
11-1



序号 No.	件号 Part No.	数量 Quantity	名称 Name	规格 Specification	适用产品 Products Applied	备注 Remark
6	11A4D-04020	1	进油口接头 Oil Feed Port Joint		康明斯 L 及 C 系列发动机 CUMMINS L And C Series Engine	
7	11AD-25023	1	接头III Joint III		1125AD-010	
8	11AD-04035	按需 On-Demand	油管支架 -B Fuel Pipe Bracket-B			
9	37AD-34002	按需 On-Demand	支架 Bracket			
10	37AD-34003	按需 On-Demand	支架 Bracket			
11	11A4D-04043	按需 On-Demand	油管支架 -D Fuel Pipe Bracket-D			
12	11A4D-04047	按需 On-Demand	油管支架 -E Fuel Pipe Bracket-E			
13	37AD-33416	按需 On-Demand	定位夹 Locating Clip			
14	37AD-33419	按需 On-Demand	定位夹 Locating Clip			
15	11AD-04031	按需 On-Demand	油管支架 -A Fuel Pipe Bracket-A			
16	11AD-04035	按需 On-Demand	油管支架 -B Fuel Pipe Bracket-B			
17	37AD-34038	按需 On-Demand	支架 Bracket			

## 空气滤清器 I / AIR FILTER I

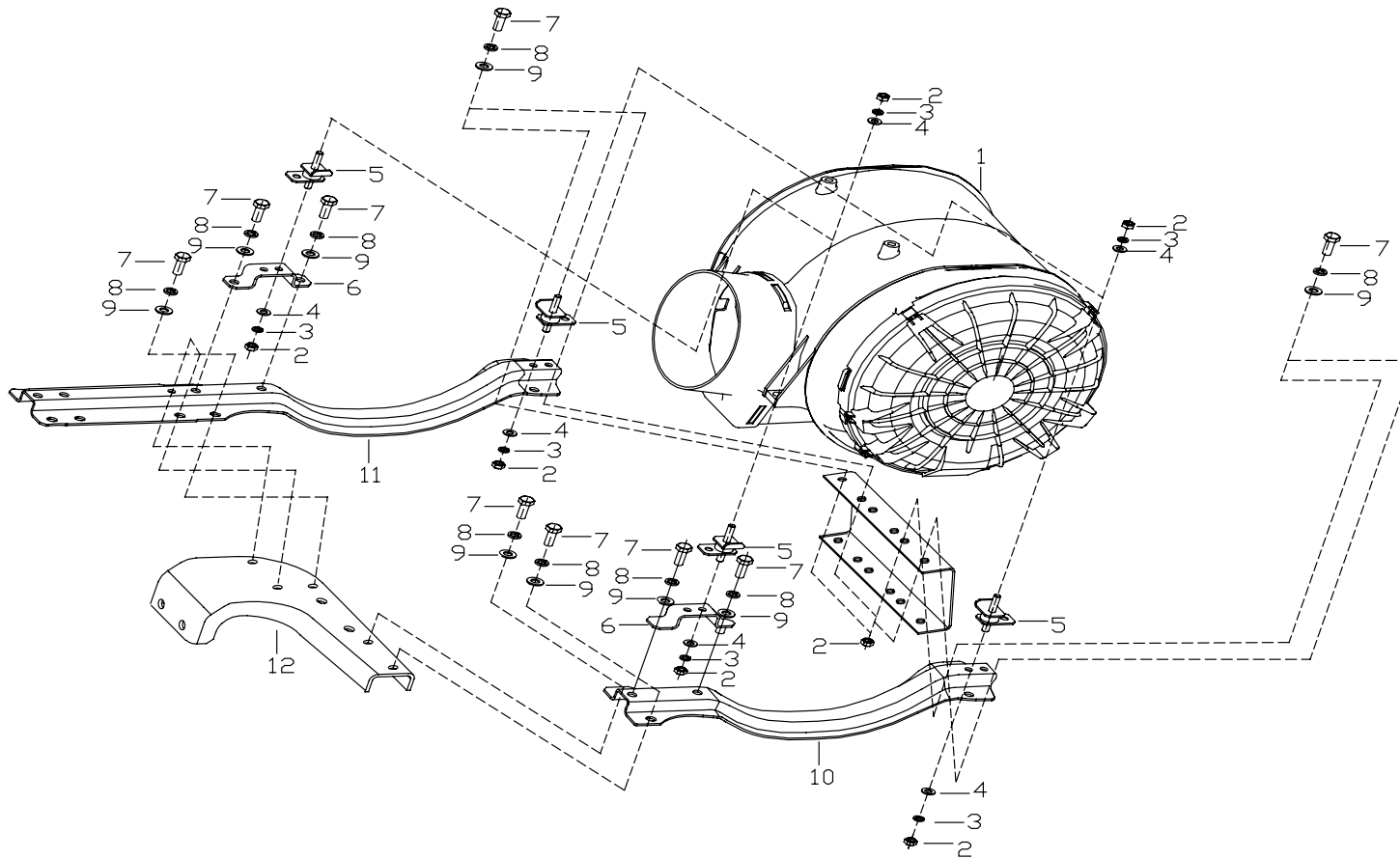
11-J



序号 No.	件号 Part No.	数量 Quantity	名称 Name	规格 Specification	适用产品 Products Applied	备注 Remark
1	11A4D-09011	1	安全芯 Safety Core		1109AD-010、1109A4D-010	
2	11A4D-09012	1	滤芯 Filter Element		1109AD-010、1109A4D-010	
3	AF25813	1	安全芯 Safety Core		1109A5DQ-010	
	11A3D-09011	1	安全芯 Safety Core		1109A3D-010	
4	AF25812	1	滤芯 Filter Element		1109A5DQ-010	
	11A3D-09012	1	滤芯 Filter Element		1109A3D-010	

## 空气滤清器 II / AIR FILTER II

11-K

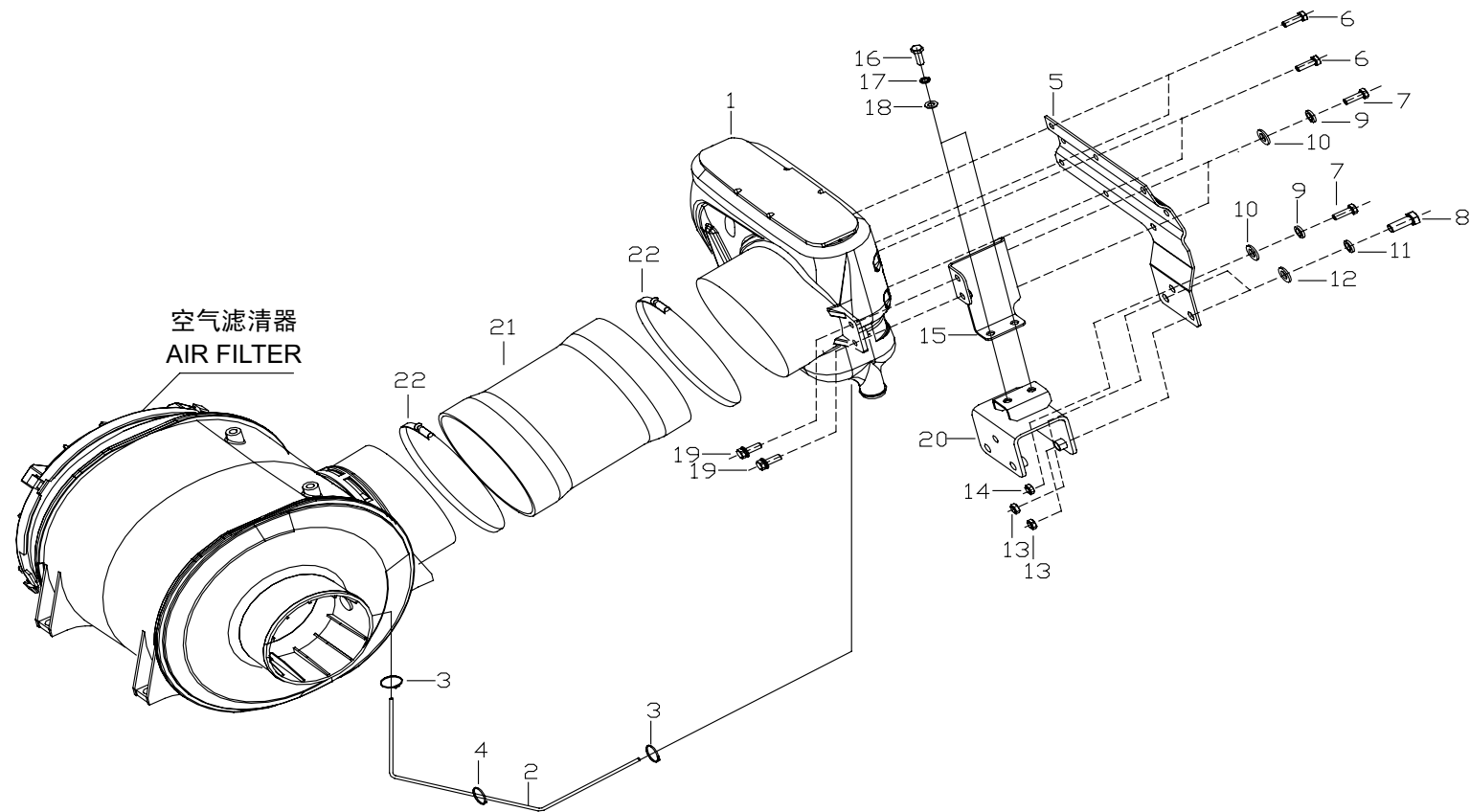




序号 No.	件号 Part No.	数量 Quantity	名称 Name	规格 Specification	适用产品 Products Applied	备注 Remark
1	1109A4D-010	1	空气滤清器总成 Air Filter Assembly			
	1109AD-010	1	空气滤清器总成 Air Filter Assembly			
2	Q340B08	12	I型六角螺母 Hexagon Full Nut			
3	Q40308	8	弹簧垫圈 Spring Washer			
4	Q40108	8	平垫圈 Plate Washer			
5	11AD-09020	4	软垫总成 - 空滤器 Pad Assembly - Air Filter			
6	11AD-09021	2	支架 A- 软垫总成 Bracket A-Pad Assembly			
7	Q151C1025	13	六角头螺栓 Hexagon Head Bolt			
8	Q40310	13	弹簧垫圈 Spring Washer			
9	Q40110	13	平垫圈 Plate Washer			
10	11AD-09025	1	支架总成 A Bracket Assembly A			
11	11AD-09030	1	支架总成 B Bracket Assembly B			
12	11AD-09035	1	支架总成 C Bracket Assembly C			

## 空气滤清器III / AIR FILTER III

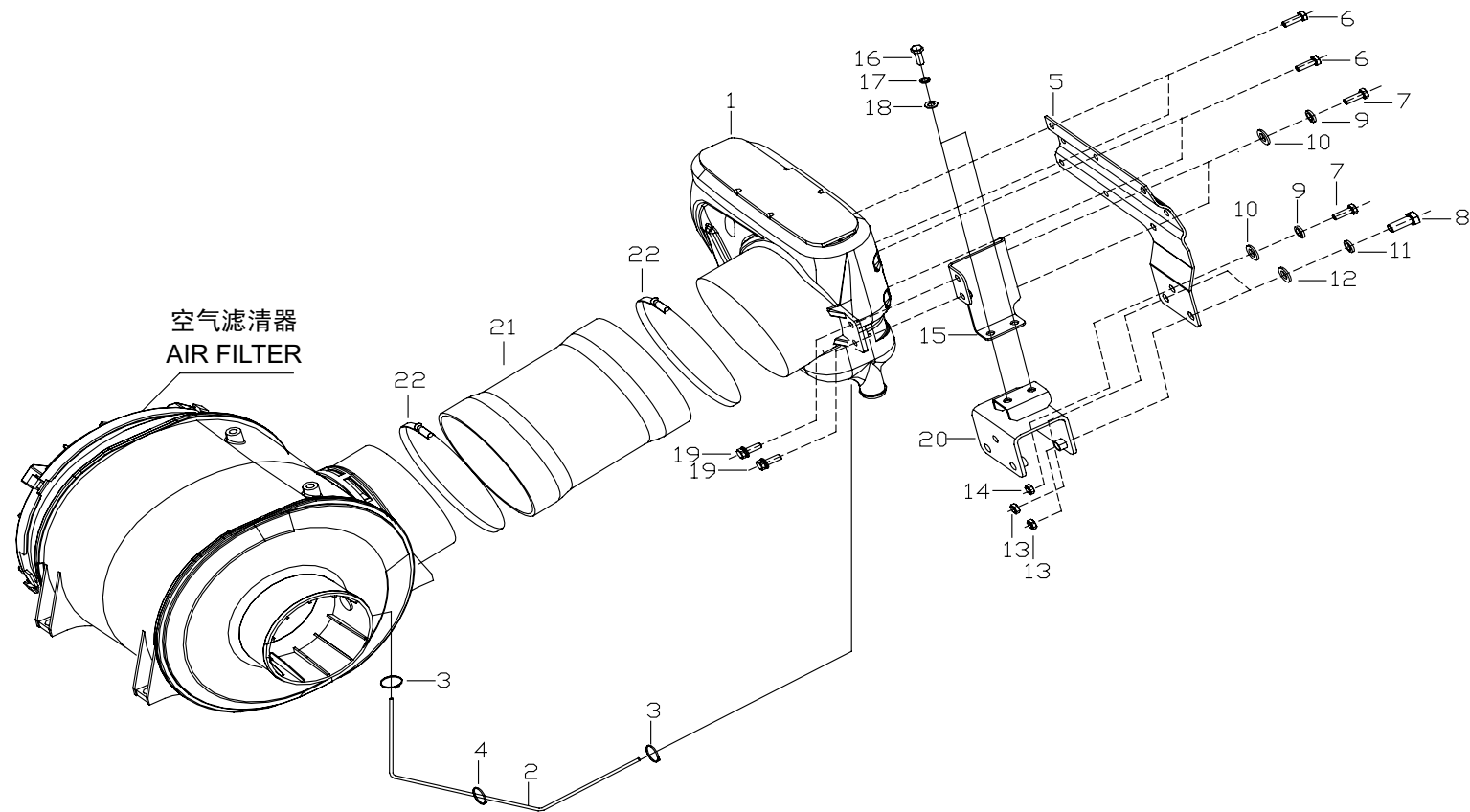
11-L



序号 No.	件号 Part No.	数量 Quantity	名称 Name	规格 Specification	适用产品 Products Applied	备注 Remark
1	11AD-09085	1	空滤下进气道总成 Air Filter Lower Intake Port Assembly			
2	11AD-09084	1	软管 - 空滤阻塞指示器总成 Hose-Air Filter Blocking Indicator Assembly	7×500		
3	Q67512	2	A 型蜗杆传动式软管环箍 A Type Worm Transmission Hose Snap Ring			
4	37AD-33002	1	塑料线卡 Plastic Snap Ring			
5	11AD-09082	1	支架 A- 空滤下进气道总成 Bracket A- Air Filter Lower Intake Port Assembly			
6	Q1460820	4	六角头螺栓、弹簧垫圈和平垫圈组合件 Hexagon Head Bolt, Spring Washer And Plate Washer Set			
7	Q151C1025	3	六角头螺栓 Hexagon Head Bolt			
8	Q151B1230	2	六角头螺栓 Hexagon Head Bolt			
9	Q40310	3	弹簧垫圈 Spring Washer			
10	Q40110	3	平垫圈 Plate Washer			
11	Q40312	2	弹簧垫圈 Spring Washer			
12	Q40112	2	平垫圈 Plate Washer			
13	Q341B12	2	I 型六角螺母 Hexagon Full Nut			
14	Q341C10	1	I 型六角螺母 Hexagon Full Nut			

## 空气滤清器III / AIR FILTER III

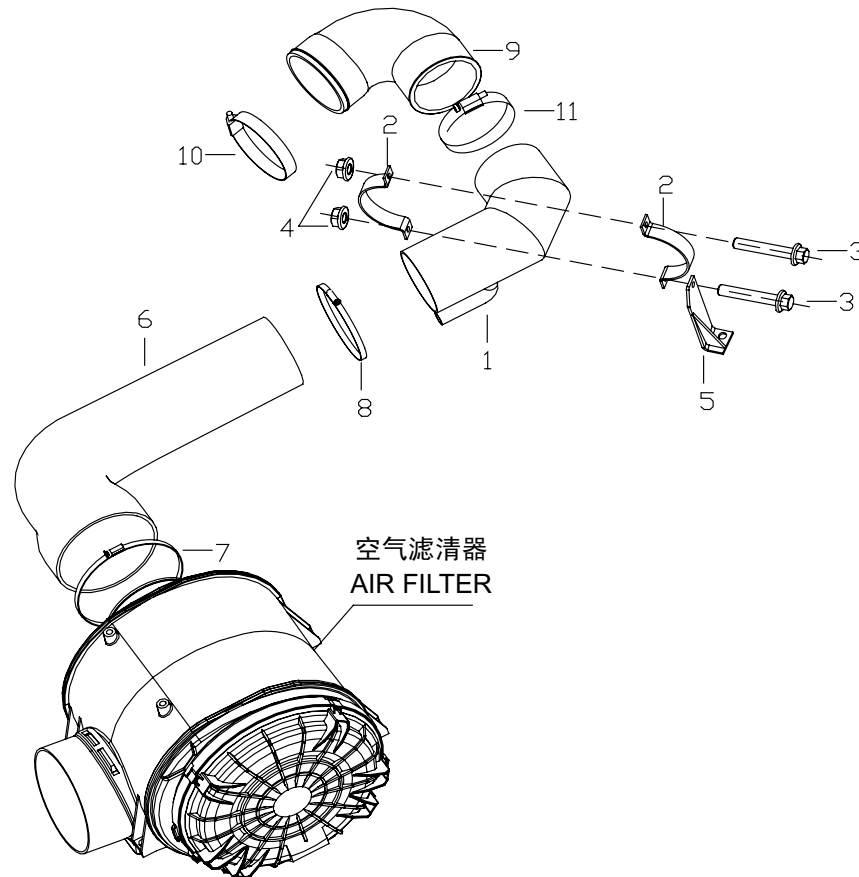
11-L



序号 No.	件号 Part No.	数量 Quantity	名称 Name	规格 Specification	适用产品 Products Applied	备注 Remark
15	11AD-09083	1	支架 B- 空滤下进气道总成 Bracket B-Air Filter Lower Intake Port Assembly			
16	Q150B0825	2	六角头螺栓 Hexagon Head Bolt			
17	Q40308	2	弹簧垫圈 Spring Washer			
18	Q40108	2	平垫圈 Plate Washer			
19	Q1460825	2	六角头螺栓、弹簧垫圈和平垫圈组合件 Hexagon Head Bolt, Spring Washer And Plate Washer Set			
20	Q340B08	2	I 型六角螺母 Hexagon Full Nut			
21	11AD-09087	1	支架总成 C- 空滤下进气道总成 Bracket Assembly C- Air Filter Lower Intake Port Assembly			
22	11AD-09086	1	波纹管 - 空滤下进气道总成至空滤器 Bellows-Air Filter Lower Intake Port Assembly To Air Filter			
23	Q675190	2	A 型蜗杆传动式软管环箍 A Type Worm Transmission Hose Snap Ring			

## 空气滤清器Ⅳ / AIR FILTER Ⅳ

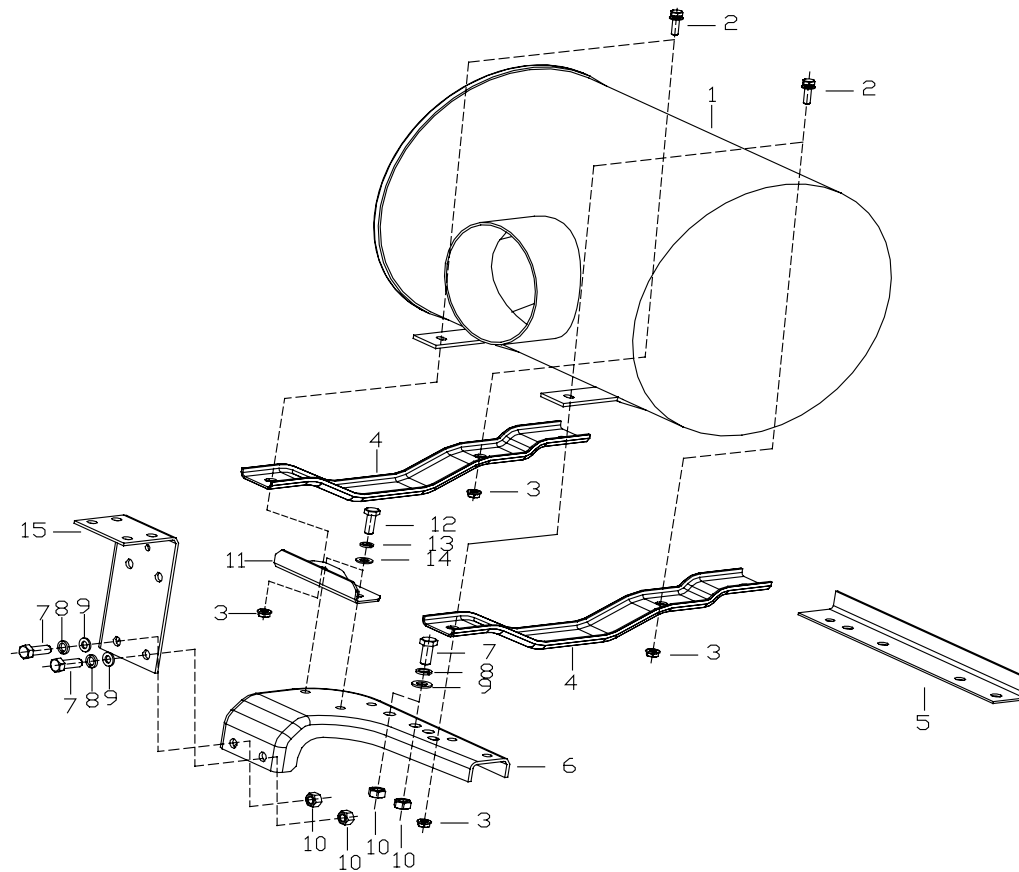
## 11-M



序号 No.	件号 Part No.	数量 Quantity	名称 Name	规格 Specification	适用产品 Products Applied	备注 Remark
1	11A4D-09092	1	连接钢管总成 Connecting Steel Pipe Assembly			
	11A43D-09092	1	连接钢管总成 Connecting Steel Pipe Assembly		ISLe 系列发动机 ISLe Series Engine	
2	11A4D-09093	2	夹箍 - 连接钢管总成 Snap Ring-Connecting Steel Pipe Assembly			
3	Q1840835	2	六角法兰面螺栓 Hexagon Bolt With Flange			
4	Q32008	2	六角法兰面螺母 Hexagon Nut With Flange			
5	11A4D-09095	1	支架总成 - 连接钢管总成 Bracket Assembly- Connecting Steel Pipe Assembly			
6	11A4D-09089	1	波纹管 - 空滤器至连接钢管总成 Bellows-Air Filter To Connecting Steel Pipe Assembly			
7	Q675170	1	A 型蜗杆传动式软管环箍 A Type Worm Transmission Hose Snap Ring			
8	Q67530	1	A 型蜗杆传动式软管环箍 A Type Worm Transmission Hose Snap Ring			
9	11A4D-09091	1	连接胶管 - 连接钢管总成至发动机 Connecting Rubber Tube-Connecting Steel Pipe Assembly To Engine			
10	11A4D-09111	1	T 型卡箍 T Type Snap Ring	φ 112		
11	11A4D-09112	1	T 型卡箍 T Type Snap Ring	φ 120		

## 空气滤清器 V / AIR FILTER V

11-N

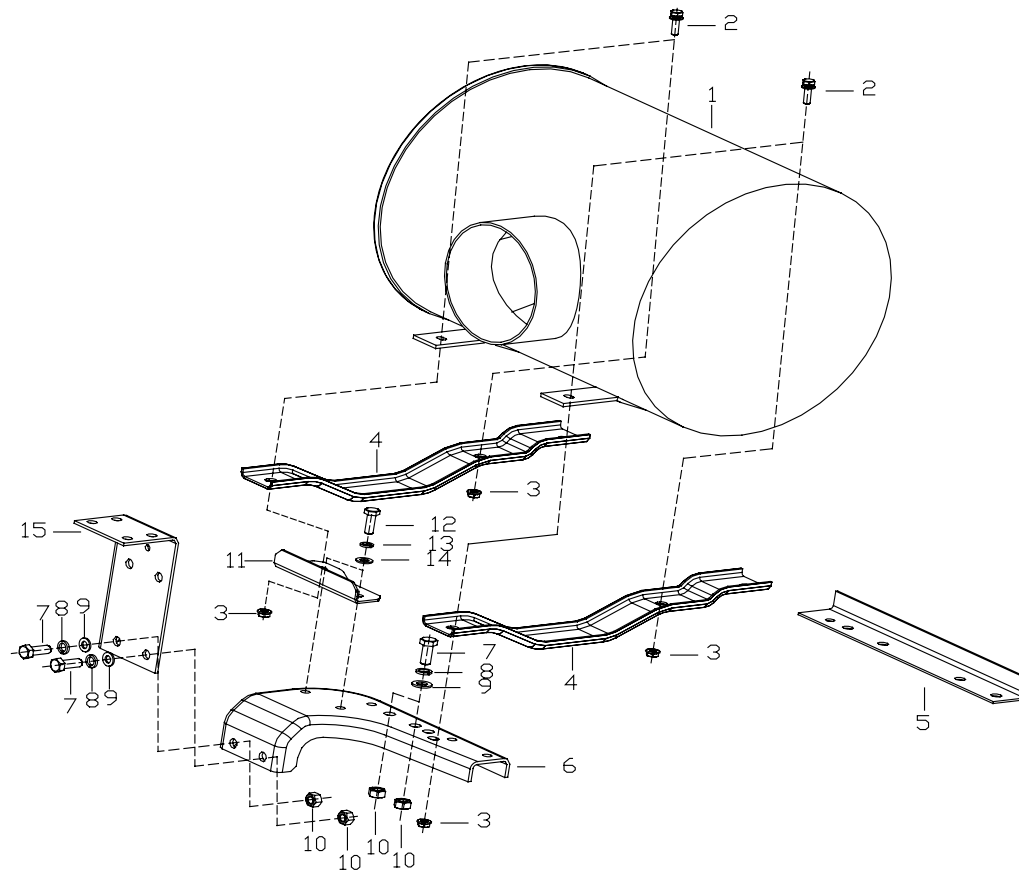




序号 No.	件号 Part No.	数量 Quantity	名称 Name	规格 Specification	适用产品 Products Applied	备注 Remark
1	1109A5DQ-010	1	空气滤清器总成 Air Filter Assembly		康明斯 300 马力以上及斯太尔发动机 CUMMINS Over 300Ps Engine And STEYR Engine	
	1109A3D-010	1	空气滤清器总成 Air Filter Assembly			
2	Q1460830	4	六角头螺栓、弹簧垫圈和平垫圈组合件 Hexagon Head Bolt, Spring Washer And Plate Washer Set			
3	Q32008	4	六角法兰面螺母 4 Hexagon Nut With Flange 4			
4	11A3D-09021	2	支架 A- 空滤器总成 Bracket A-Air Filter Assembly			
5	11A3D-09026	1	支架 D- 空滤器总成 Bracket D-Air Filter Assembly			
6	11A3D-09031	1	支架 G- 空滤器总成 Bracket G-Air Filter Assembly			
7	Q150B1230	4	六角头螺栓 Hexagon Head Bolt			
8	Q40312	4	弹簧垫圈 Spring Washer			
9	Q40112	4	平垫圈 Plate Washer			
10	Q340B12	4	I 型六角螺母 Hexagon Full Nut			
11	11A3D-09024	1	支架 C- 空滤器总成 Bracket C-Air Filter Assembly			
12	Q151C1030	2	六角头螺栓 Hexagon Head Bolt			
13	Q40310	2	弹簧垫圈 Spring Washer			

## 空气滤清器 V / AIR FILTER V

11-N



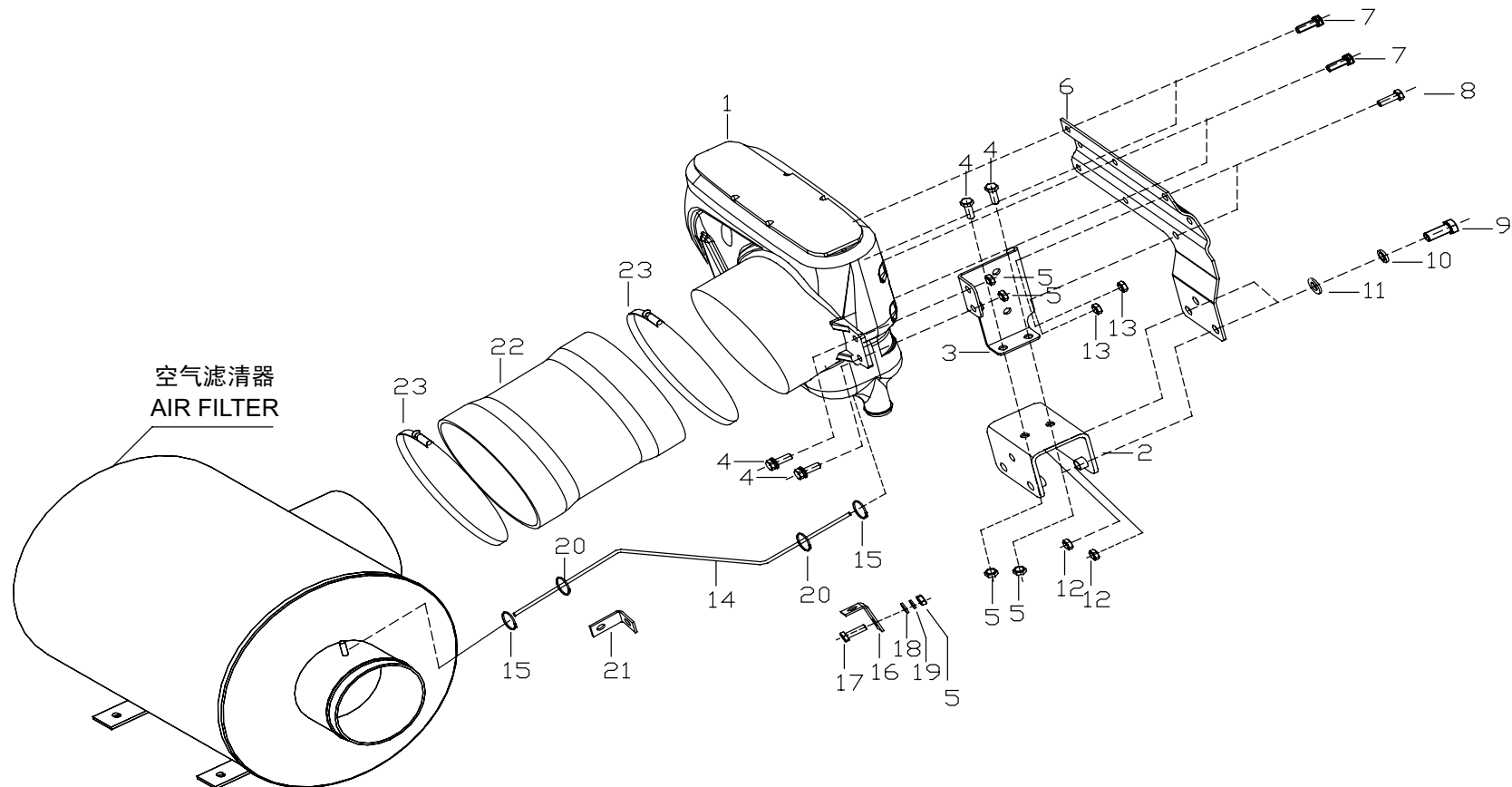
## 供给系统 / SUPPLY SYSTEM

11-42

序号 No.	件号 Part No.	数量 Quantity	名称 Name	规格 Specification	适用产品 Products Applied	备注 Remark
14	Q40110	2	平垫圈 Plate Washer			
15	11A3D-09023	1	支架 B - 空滤器总成 Bracket B-Air Filter Assembly			

## 空气滤清器VI / AIR FILTER VI

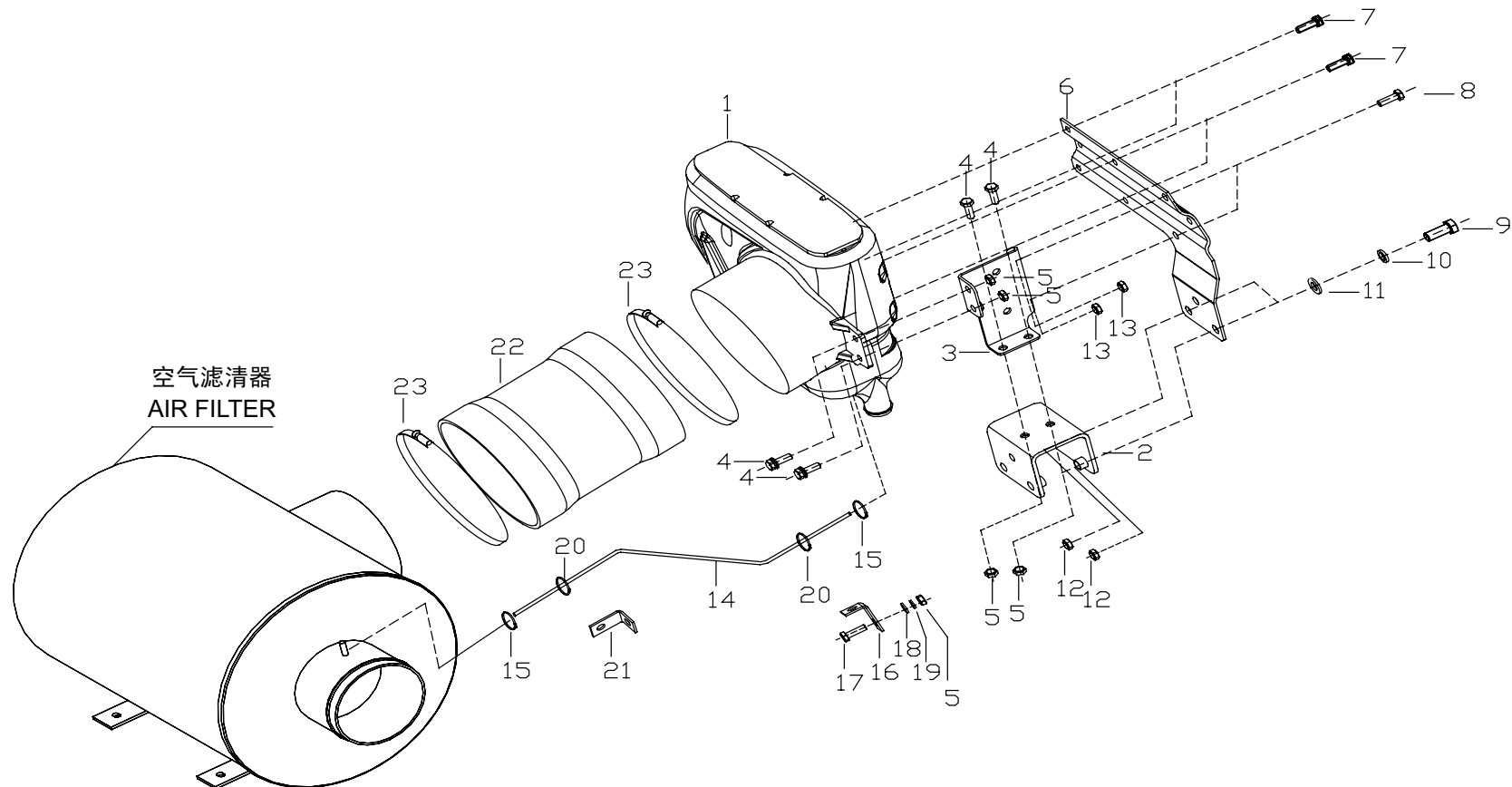
11-0



序号 No.	件号 Part No.	数量 Quantity	名称 Name	规格 Specification	适用产品 Products Applied	备注 Remark
1	11AD-09085	1	空滤下进气道总成 Air Filter Lower Intake Port Assembly			
2	11A3D-09028	1	支架 E- 空滤器总成 Bracket E-Air Filter Assembly			
3	11A3D-09029	1	支架 F- 空滤器总成 Bracket F- Air Filter Assembly			
4	Q1460825	4	六角头螺栓、弹簧垫圈和平垫圈组合件 Hexagon Head Bolt, Spring Washer And Plate Washer Set			
5	Q340B08	5	I 型六角螺母 Hexagon Full Nut			
6	11AD-09082	1	支架 A- 空滤下进气道总成 Bracket A- Air Filter Lower Intake Port Assembly			
7	Q1460820	4	六角头螺栓、弹簧垫圈和平垫圈组合件 Hexagon Head Bolt, Spring Washer And Plate Washer Set			
8	Q1461025	2	六角头螺栓、弹簧垫圈和平垫圈组合件 Hexagon Head Bolt, Spring Washer And Plate Washer Set			
9	Q150B1230	2	六角头螺栓 Hexagon Head Bolt			
10	Q40312	2	弹簧垫圈 Spring Washer			
11	Q40112	2	平垫圈 Plate Washer			
12	Q340B12	2	I 型六角螺母 Hexagon Full Nut			
13	Q340B10	2	I 型六角螺母 Hexagon Full Nut			
14	11A3D-09084	1	软管—空滤阻塞指示器总成 Hose-Air Filter Blocking Indicator Assembly	7×800		

## 空气滤清器VI / AIR FILTER VI

11-0



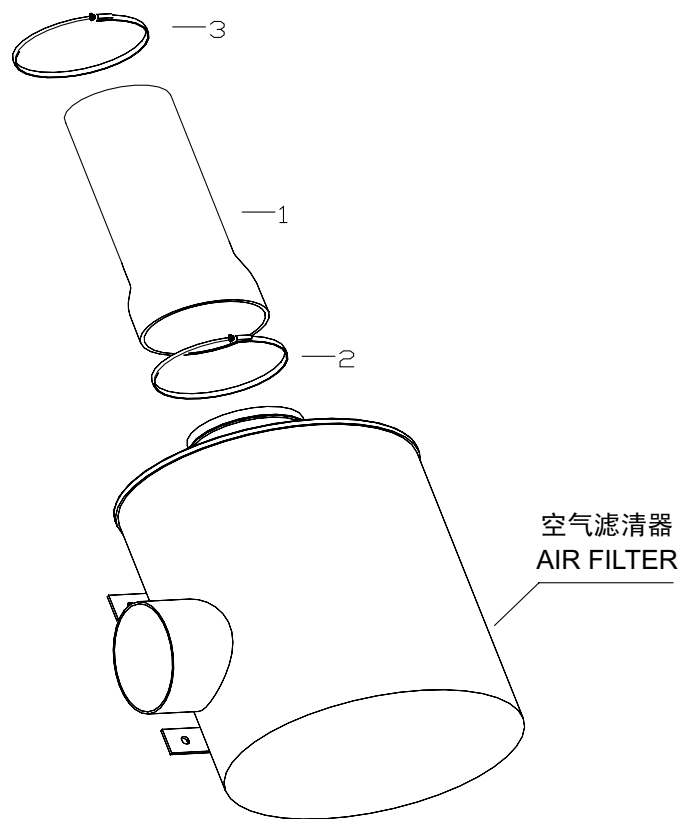
供给系统 / SUPPLY SYSTEM

11-46

序号 No.	件号 Part No.	数量 Quantity	名称 Name	规格 Specification	适用产品 Products Applied	备注 Remark
15	Q67512	2	A 型蜗杆传动式软管环箍 A Type Worm Transmission Hose Snap Ring			
16	37AD-34004	1	支架 Bracket			
17	Q150B0825	1	六角头螺栓 Hexagon Head Bolt			
18	Q40108	1	平垫圈 Plate Washer			
19	Q40308	1	弹簧垫圈 Spring Washer			
20	37AD-33002	2	塑料线卡 Plastic Snap Ring			
21	37AD-34068	1	支架 Bracket			
22	11A3D-09086	1	波纹管-空滤下进气道总成至空滤器 Bellows-Air Filter Lower Intake Port Assembly To Air Filter			
23	Q675190	2	A 型蜗杆传动式软管环箍 A Type Worm Transmission Hose Snap Ring			

## 空气滤清器Ⅶ / AIR FILTER Ⅶ

11-P





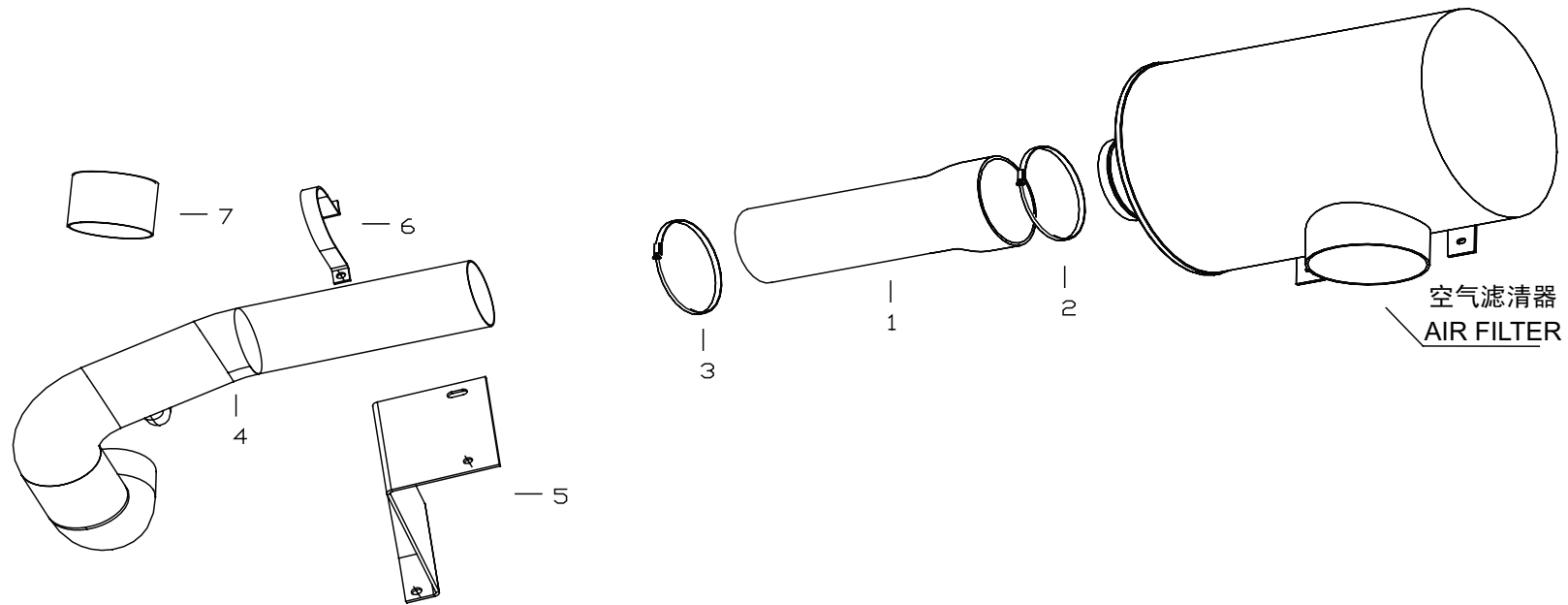
## 供给系统 / SUPPLY SYSTEM

11-48

序号 No.	件号 Part No.	数量 Quantity	名称 Name	规格 Specification	适用产品 Products Applied	备注 Remark
1	11A4D-09089	1	波纹管—空滤器至发动机 Bellows-Air Filter To Engine			
2	Q675170	1	A型蜗杆传动式软管环箍 A Type Worm Transmission Hose Snap Ring			
3	Q675130	1	A型蜗杆传动式软管环箍 A Type Worm Transmission Hose Snap Ring			

## 空气滤清器Ⅷ / AIR FILTER Ⅷ

11-Q



序号 No.	件号 Part No.	数量 Quantity	名称 Name	规格 Specification	适用产品 Products Applied	备注 Remark
1	11A4D-09089	1	波纹管—空滤器至发动机 Bellows-Air Filter To Engine		WP10, WD12 系列发动机 WP10,WD12 Series Engine	
2	Q675170	1	A 型蜗杆传动式软管环箍 A Type Worm Transmission Hose Snap Ring		WP10, WD12 系列发动机 WP10,WD12 Series Engine	
3	Q675130	1	A 型蜗杆传动式软管环箍 A Type Worm Transmission Hose Snap Ring		WP10, WD12 系列发动机 WP10,WD12 Series Engine	
4	11A81D-09071	1	支架 Bracket		WD12 系列发动机 WD12 Series Engine	
5	11A81D-09072	1	卡环 Clamping Ring		WD12 系列发动机 WD12 Series Engine	
6	11A81D-09092	1	连接钢管 Connecting Steel Pipe		WD12 系列发动机 WD12 Series Engine	
	11A59D-09092	1	连接钢管 Connecting Steel Pipe		WD10 系列发动机 WD10 Series Engine	
7	11A59D-09089	1	连接钢管 Connecting Steel Pipe		WP10, WD12 系列发动机 WP10,WD12 Series Engine	



12

**排气系统**

***EXHAUST SYSTEM***

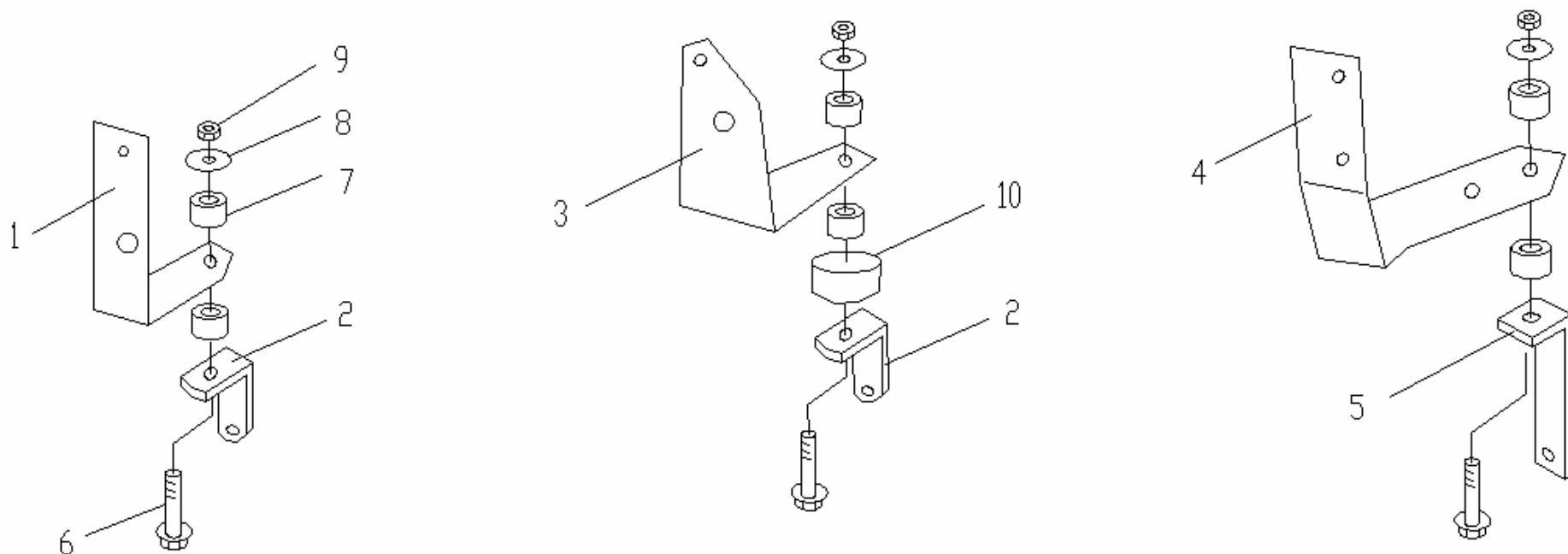
排气系统 / EXHAUST SYSTEM

12-2

序号 No.	件号 Part No.	数量 Quantity	名称 Name	规格 Specification	适用产品 Products Applied	备注 Remark
1	12A4D-03011	6	卡箍 -- 紧固消声器进气管 Snap Ring—Tightening Muffler Inlet Pipe			
2	12A4D-03012	3	密封垫 Gasket			
3	12A4D-03013	18	密封片 Seal Plate			
4	Q150B0845	6	六角头螺栓 Hexagon Head Bolt			
5	Q340B08	12	I 型六角螺母 Hexagon Full Nut			
6	12A4D-03021	1	增压器出口连接管 Supercharger Outlet Connecting Pipe			
7	12A18DQ-03025	1	支架—增压器出口连接管 Bracket--Supercharger Outlet Connecting Pipe		L 系列 Series L	
	12A4D-03025	1	支架—增压器出口连接管 Bracket--Supercharger Outlet Connecting Pipe		C 系列 Series C	
8	Q150B1025	4	六角头螺栓 Hexagon Head Bolt			
9	Q40110	4	平垫圈 Plate Washer			
10	Q40310	4	弹簧垫圈 Spring Washer			
11	3549A4D-010	1	排气制动蝶阀 Exhaust Brake Butterfly Valve			
12	Q80406	1	卡套式直通接头 Ferrule—Straight Connector			
13	12A9DP5-03091	1	消声器前进气管 Front Intake Pipe of Muffler			

## 排气系统支架预装图 / EXHAUST SYSTEM BRACKET

## 12-B



排气系统 / EXHAUST SYSTEM

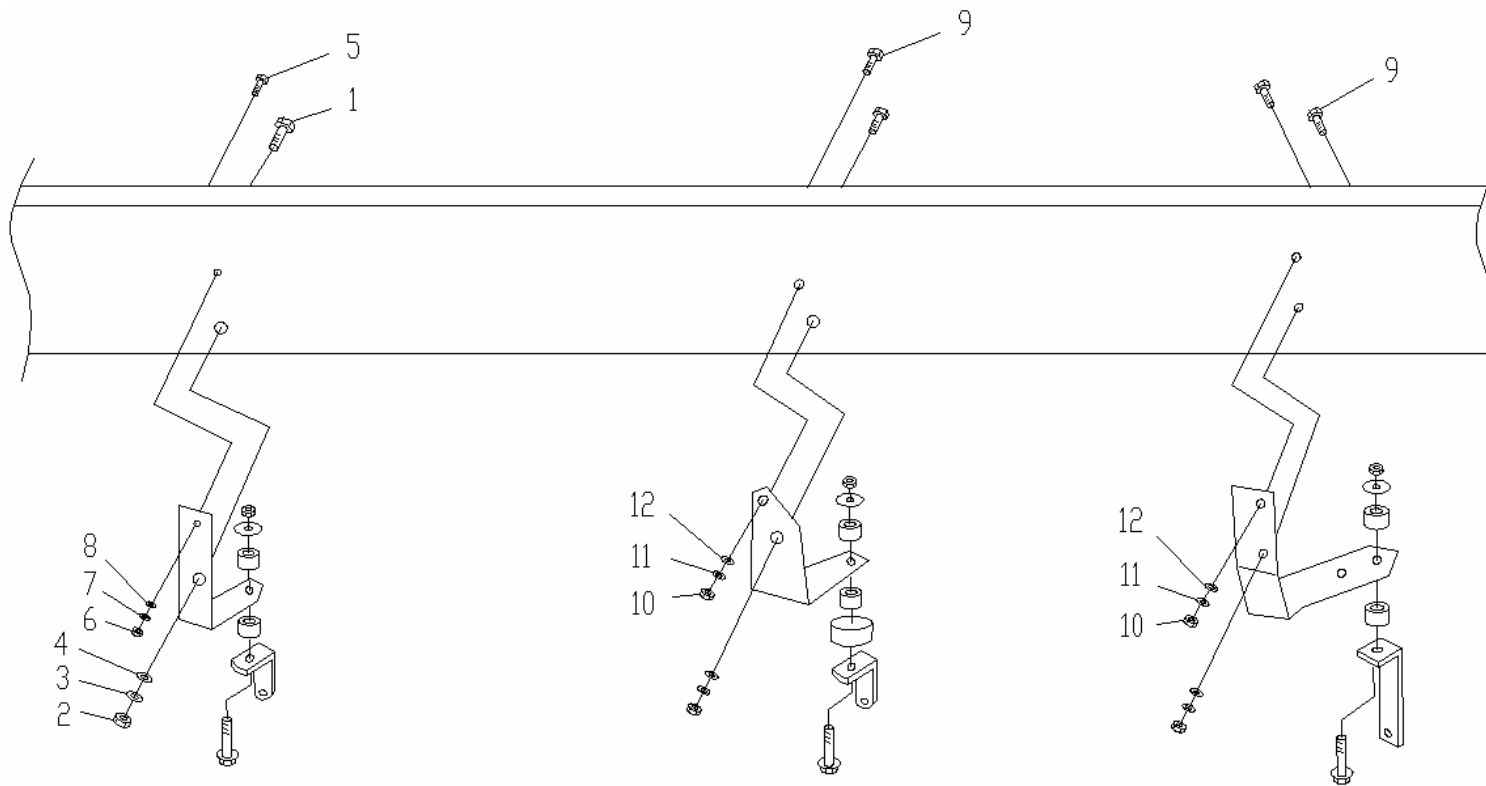
12-4

序号 No.	件号 Part No.	数量 Quantity	名称 Name	规格 Specification	适用产品 Products Applied	备注 Remark
1	12A17DP5-03021	1	排气管支架 Exhaust Pipe Bracket			
2	12AD-01023	2	消声器前吊架 Front Hanger Of Muffler			
3	12A17DP5-01022	1	消声器前支架 Front Bracket Of Muffler			
4	12A17DP5-01027	1	消声器后支架 Rear Bracket Of Muffler			
5	12AD-01028	1	消声器后吊架 Rear Hanger Of Muffler			
6	Q1841080	3	六角法兰螺栓 Hexagon Flange Bolt			
7	12AD-01026	6	橡胶软垫 Rubber Pad			
8	Q40210	3	大垫圈 Big Washer			
9	Q33410	3	六角锁紧螺母 Hexagon Lock Nut			
10	12AD-01024	1	隔热环 - 橡胶软垫 Heat-Insulating Ring-Rubber Pad			



## 排气系统支架总装图 / EXHAUST SYSTEM BRACKET

12-C



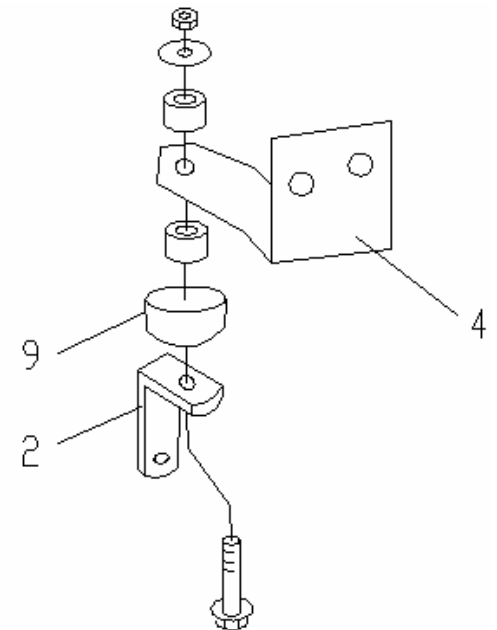
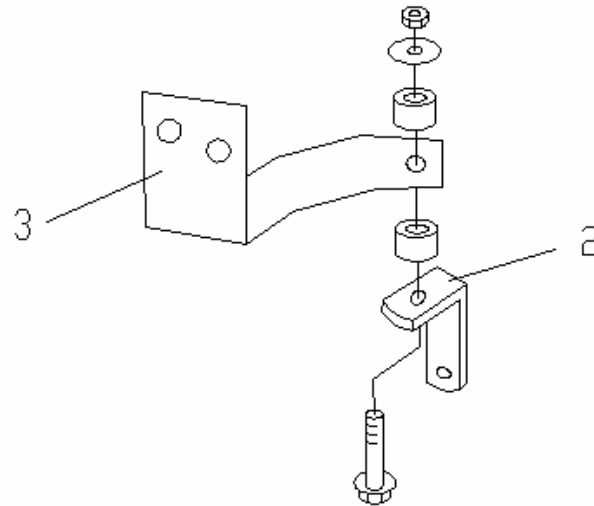
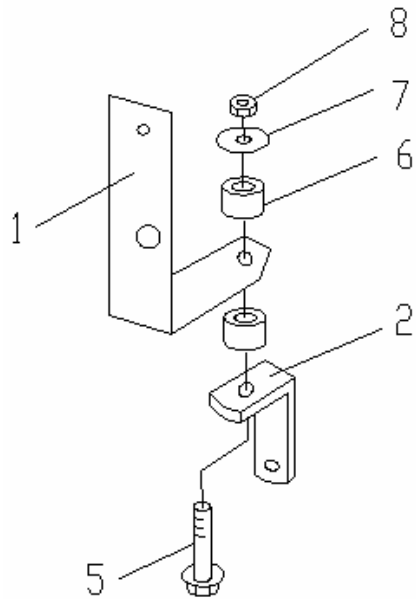
排气系统 / EXHAUST SYSTEM

12-6

序号 No.	件号 Part No.	数量 Quantity	名称 Name	规格 Specification	适用产品 Products Applied	备注 Remark
1	Q150B1245	1	六角头螺栓 Hexagon Head Bolt			
2	Q340B12	1	I型六角螺母 Hexagon Full Nut			
3	Q40312	1	弹簧垫圈 Spring Washer			
4	Q40112	1	平垫圈 Plate Washer			
5	Q150B0840	1	六角头螺栓 Hexagon Head Bolt			
6	Q340B08	1	I型六角螺母 Hexagon Full Nut			
7	Q40308	1	弹簧垫圈 Spring Washer			
8	Q40108	1	平垫圈 Plate Washer			
9	Q150B1040	4	六角头螺栓 Hexagon Head Bolt			
10	Q340B10	4	I型六角螺母 Hexagon Full Nut			
11	Q40310	4	弹簧垫圈 Spring Washer			
12	Q40110	4	平垫圈 Plate Washer			

## 排气系统支架预装图 / EXHAUST SYSTEM BRACKET

## 12-D



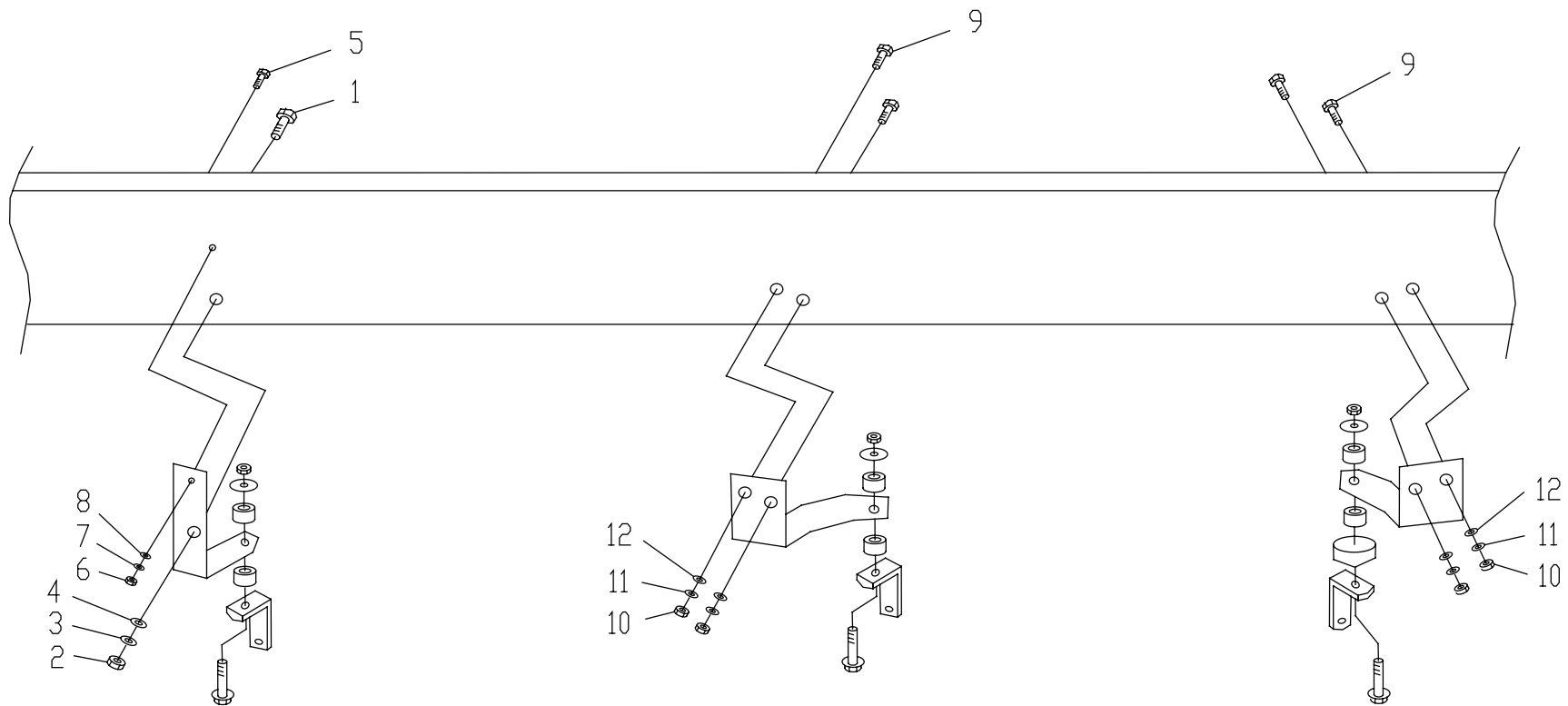
排气系统 / EXHAUST SYSTEM

12-8

序号 No.	件号 Part No.	数量 Quantity	名称 Name	规格 Specification	适用产品 Products Applied	备注 Remark
1	12A17DP5-03021	1	排气管支架 Exhaust Pipe Bracket			
2	12A4DP-01028	3	消声器前吊架 Front Hanger Of Muffler			
3	12A4DP4-01022	1	消声器前支架 Front Bracket Of Muffler			
4	12A4DP4-01027	1	消声器后支架 Rear Bracket Of Muffler			
5	Q1841080	3	六角法兰螺栓 Hexagon Flange Bolt			
6	12AD-01026	6	橡胶软垫 Rubber Pad			
7	Q40210	3	大垫圈 Big Washer			
8	Q33410	3	六角锁紧螺母 Hexagon Lock Nut			
9	12AD-01024	1	隔热环 - 橡胶软垫 Heat-Insulating Ring-Rubber Pad			

## 排气系统支架总装图 / EXHAUST SYSTEM BRACKET

12-E



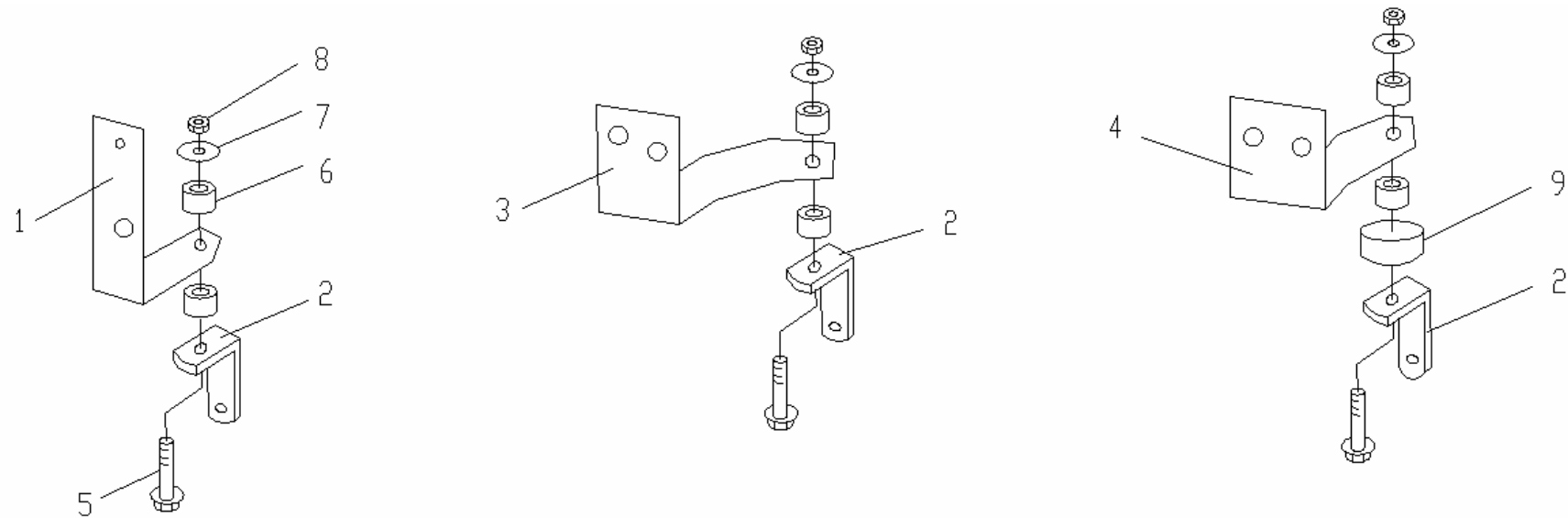
排气系统 / EXHAUST SYSTEM

12-10

序号 No.	件号 Part No.	数量 Quantity	名称 Name	规格 Specification	适用产品 Products Applied	备注 Remark
1	Q150B1245	1	六角头螺栓 Hexagon Head Bolt			
2	Q340B12	1	I型六角螺母 Hexagon Full Nut			
3	Q40312	1	弹簧垫圈 Spring Washer			
4	Q40112	1	平垫圈 Plate Washer			
5	Q150B0840	1	六角头螺栓 Hexagon Head Bolt			
6	Q340B08	1	I型六角螺母 Hexagon Full Nut			
7	Q40308	1	弹簧垫圈 Spring Washer			
8	Q40108	1	平垫圈 Plate Washer			
9	Q150B1040	4	六角头螺栓 Hexagon Head Bolt			
10	Q340B10	4	I型六角螺母 Hexagon Full Nut			
11	Q40310	4	弹簧垫圈 Spring Washer			
12	Q40110	4	平垫圈 Plate Washer			

## 排气系统支架预装图 / EXHAUST SYSTEM BRACKET

12-F



排气系统 / EXHAUST SYSTEM

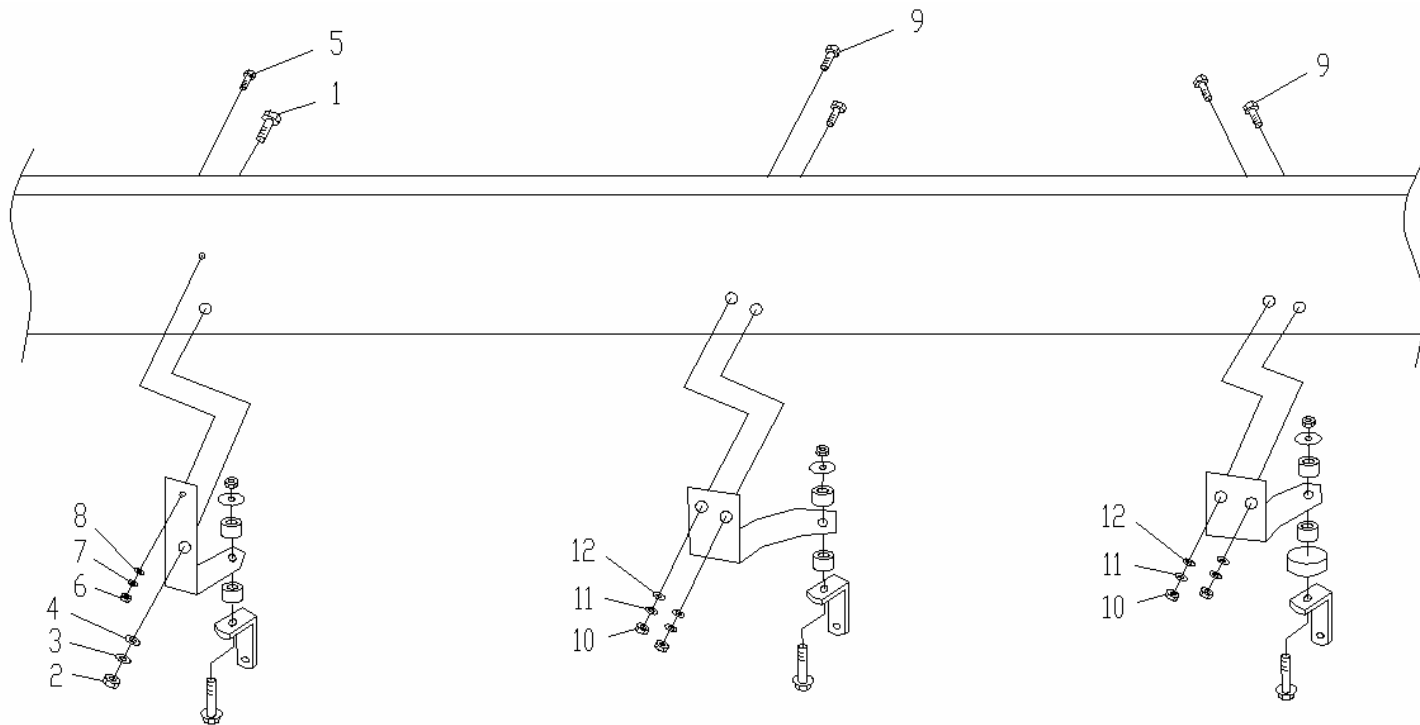
12-12

序号 No.	件号 Part No.	数量 Quantity	名称 Name	规格 Specification	适用产品 Products Applied	备注 Remark
1	12A17DP5-03021	1	排气管支架 Exhaust Pipe Bracket			
2	12A4DP-01028	3	消声器前吊架 Front Hanger Of Muffler			
3	12A4DP4-01022	1	消声器前支架 Front Bracket Of Muffler			
4	12A4DP3-01027	1	消声器后支架 Rear Bracket Of Muffler			
5	Q1841080	3	六角法兰螺栓 Hexagon Flange Bolt			
6	12AD-01026	6	橡胶软垫 Rubber Pad			
7	Q40210	3	大垫圈 Big Washer			
8	Q33410	3	六角锁紧螺母 Hexagon Lock Nut			
9	12AD-01024	1	隔热环 - 橡胶软垫 Heat Insulating Ring-Rubber Pad			



## 排气系统支架总装图 / EXHAUST SYSTEM BRACKET

12-G



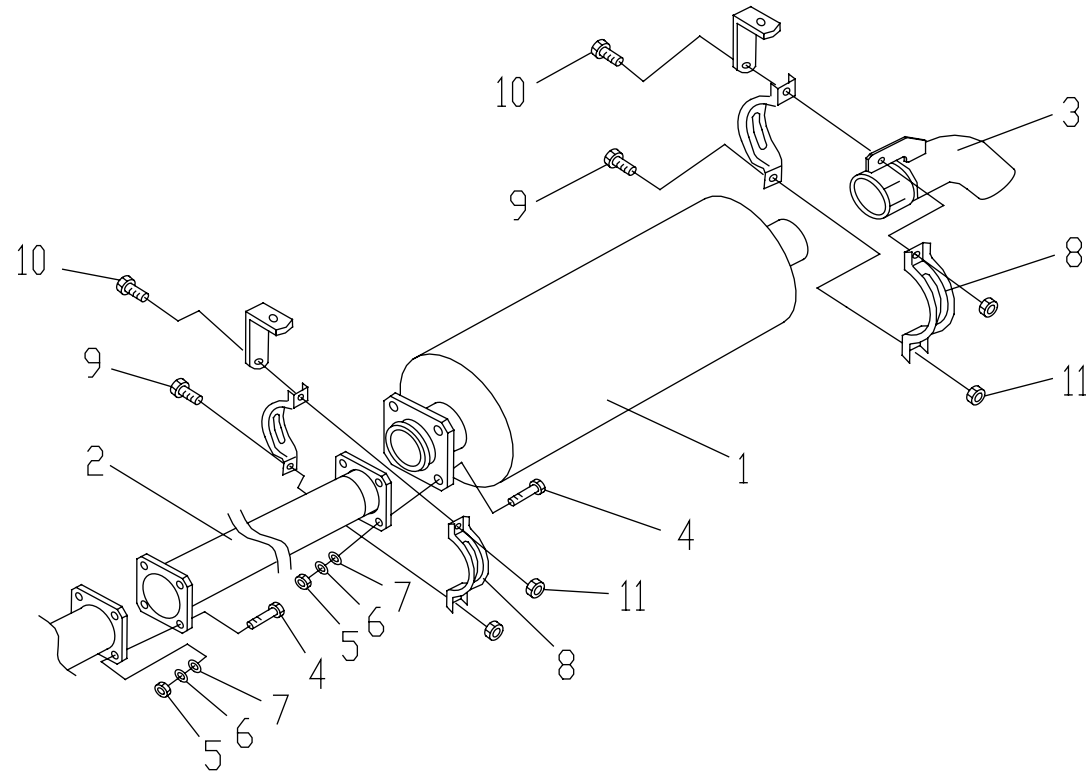
排气系统 / EXHAUST SYSTEM

12-14

序号 No.	件号 Part No.	数量 Quantity	名称 Name	规格 Specification	适用产品 Products Applied	备注 Remark
1	Q150B1245	1	六角头螺栓 Hexagon Head Bolt			
2	Q340B12	1	I型六角螺母 Hexagon Full Nut			
3	Q40312	1	弹簧垫圈 Spring Washer			
4	Q40112	1	平垫圈 Plate Washer			
5	Q150B0840	1	六角头螺栓 Hexagon Head Bolt			
6	Q340B08	1	I型六角螺母 Hexagon Full Nut			
7	Q40308	1	弹簧垫圈 Spring Washer			
8	Q40108	1	平垫圈 Plate Washer			
9	Q150B1040	4	六角头螺栓 Hexagon Head Bolt			
10	Q340B10	4	I型六角螺母 Hexagon Full Nut			
11	Q40310	4	弹簧垫圈 Spring Washer			
12	Q40110	4	平垫圈 Plate Washer			

## 排气管及消声器总成装置图 / EXHAUST PIPE AND MUFFLER ASSEMBLY

12-H



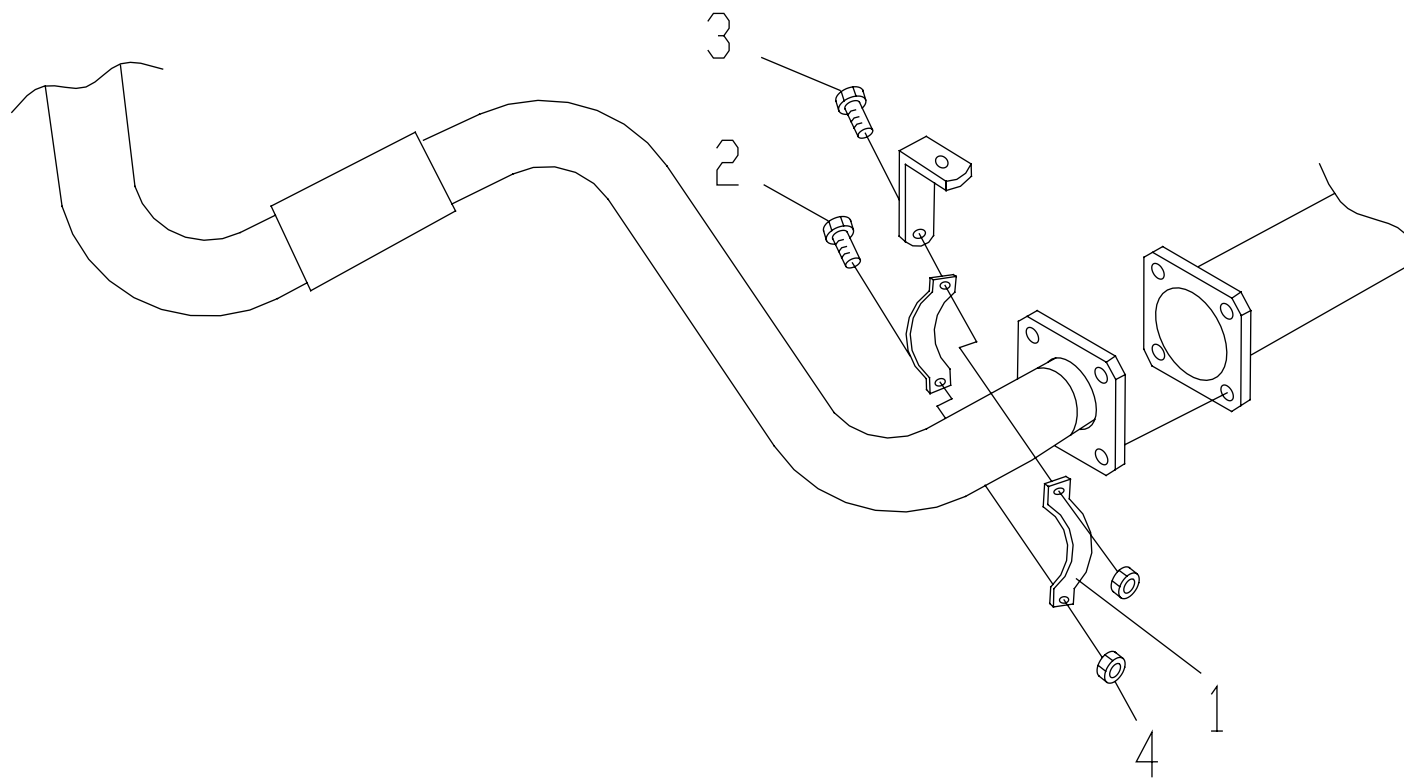
排气系统 / EXHAUST SYSTEM

12-16

序号 No.	件号 Part No.	数量 Quantity	名称 Name	规格 Specification	适用产品 Products Applied	备注 Remark
1	1201A4D-010	1	消声器总成 Muffler Assembly			
2	12A17DP5-03093	1	消声器后进气管 Rear Intake Pipe Of Muffler			
3	12A17DP5-09051	1	消声器排气尾管 Muffler Tailpipe			
4	Q150B1265	8	六角头螺栓 Hexagon Head Bolt			
5	Q340B12	8	I型六角螺母 Hexagon Full Nut			
6	Q40312	8	弹簧垫圈 Spring Washer			
7	Q40112	8	平垫圈 Plate Washer			
8	12AD-01021	4	半圆形卡环 Semicircular Snap Ring			
9	Q150B1035	2	六角头螺栓 Hexagon Head Bolt			
10	Q150B1040	2	六角头螺栓 Hexagon Head Bolt			
11	Q33410	4	六角锁紧螺母 Hexagon Lock Nut			

排气管装置图 / EXHAUST PIPE

12-1



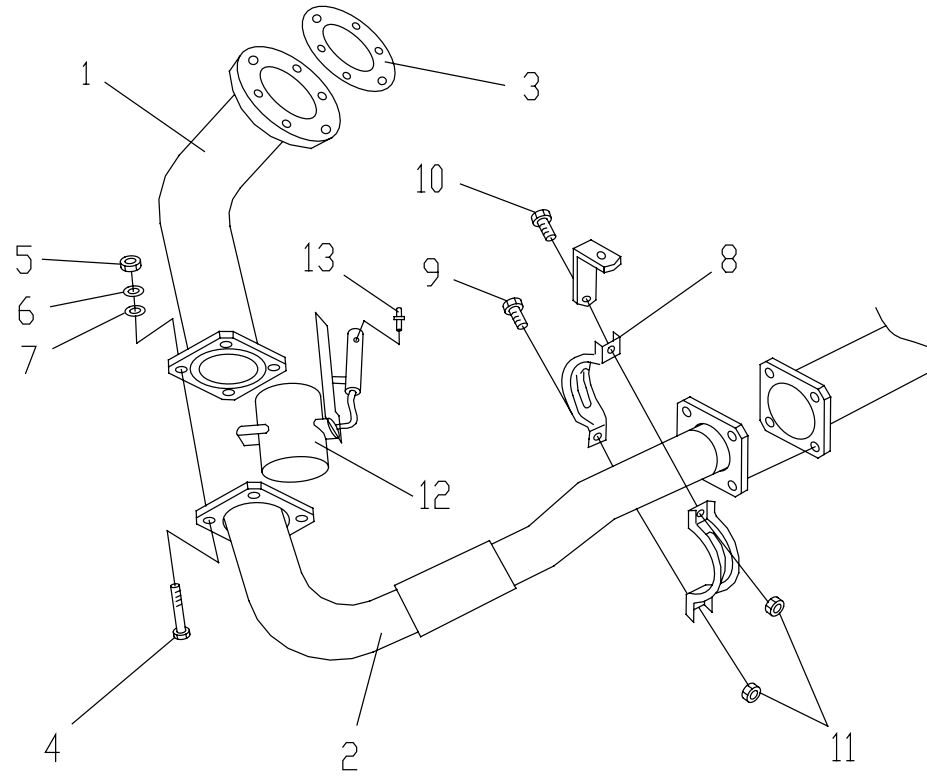
排气系统 / EXHAUST SYSTEM

12-18

序号 No.	件号 Part No.	数量 Quantity	名称 Name	规格 Specification	适用产品 Products Applied	备注 Remark
1	12A4DQ-03014	2	消声器进气管前卡环 Muffler Intake Pipe Front Snap Ring			
2	Q150B1035	1	六角头螺栓 Hexagon Head Bolt			
3	Q150B1040	1	六角头螺栓 Hexagon Head Bolt			
4	Q33410	2	六角锁紧螺母 Hexagon Lock Nut			

## 排气管装置图 / EXHAUST PIPE

12-J



排气系统 / EXHAUST SYSTEM

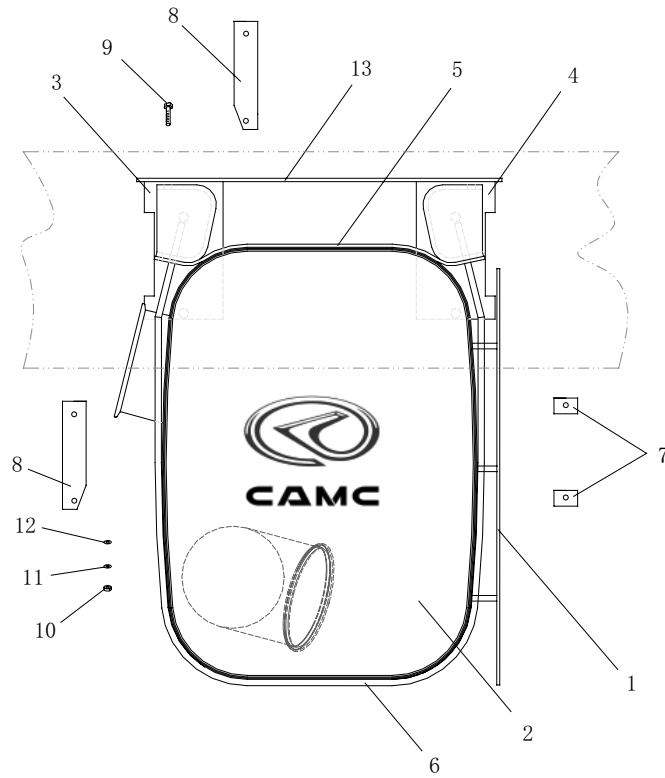
12-20

序号 No.	件号 Part No.	数量 Quantity	名称 Name	规格 Specification	适用产品 Products Applied	备注 Remark
1	12A17DP5-03091	1	消声器前进气管 Front Intake Pipe Of Muffler			
2	12A17DP5-03092	1	消声器中进气管 Middle Intake Pipe Of Muffler			
3	12A2DQ-03011	1	密封垫片 Seal Shim			
4	Q150B12110	4	六角头螺栓 Hexagon Head Bolt			
5	Q340B12	4	I型六角螺母 Hexagon Full Nut			
6	Q40312	4	弹簧垫圈 Spring Washer			
7	Q40112	4	平垫圈 Plate Washer			
8	12AD-01021	2	半圆形卡环 Semicircular Snap Ring			
9	Q150B1035	1	六角头螺栓 Hexagon Head Bolt			
10	Q150B1040	1	六角头螺栓 Hexagon Head Bolt			
11	Q33410	2	六角锁紧螺母 Hexagon Lock Nut			
12	3549AD-010	1	排气制动蝶阀 Exhaust Brake Butterfly Valve			
13	Q80406	1	卡套式直通接头 Ferrule—Straight Connector			



## 消声器总成装配图 / MUFFLER ASSEMBLY

12-K



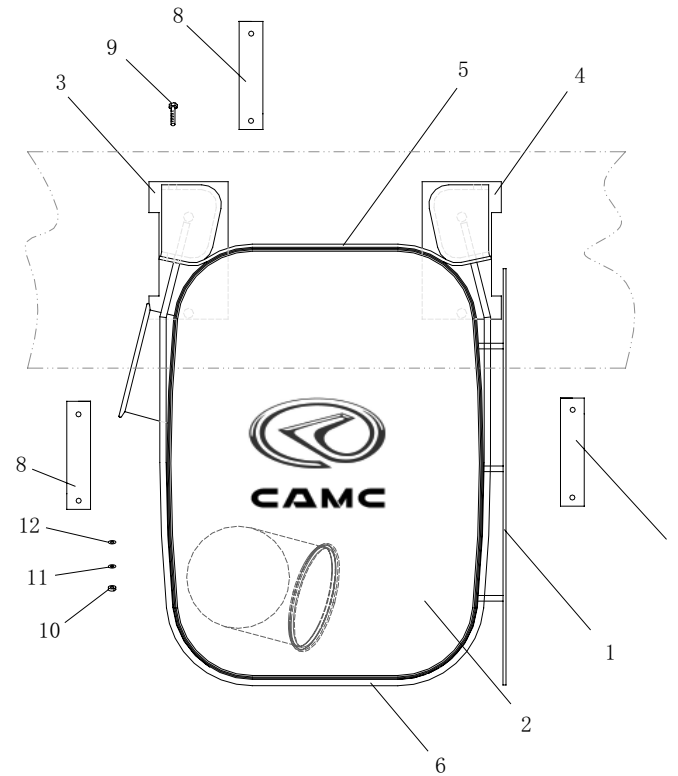
排气系统 / EXHAUST SYSTEM

12-22

序号 No.	件号 Part No.	数量 Quantity	名称 Name	规格 Specification	适用产品 Products Applied	备注 Remark
1	12AH23DQ-01061	1	隔热板 Insulating Board			
2	12AH23DQ-01062	1	装饰板 Trim Board			
3	12AH23DQ-01063	1	支架 Bracket			
4	12AH23DQ-01064	1	支架 Bracket			
5	12AH23DQ-01066	2	限位块 Limiting Stopper			
6	12AH23DQ-01067	2	拉紧杆 Tension Strut			
7	12AH19DQ-01053	2	平垫片 Plate Shim			
8	12AH2DQ-01052	2	斜垫片 Tilt Shim			
9	Q150B1280	4	六角头螺栓 Hexagon Head Bolt			
10	Q340B12	4	I型六角螺母 Hexagon Full Nut			
11	Q40112	4	平垫圈 Plate Washer			
12	Q40312	4	弹簧垫圈 Spring Washer			
13	12AH23DQ-01068	1	消声器脚踏板 Muffler Foot Pedal			

## 消声器总成装配图 / MUFFLER ASSEMBLY

12-L



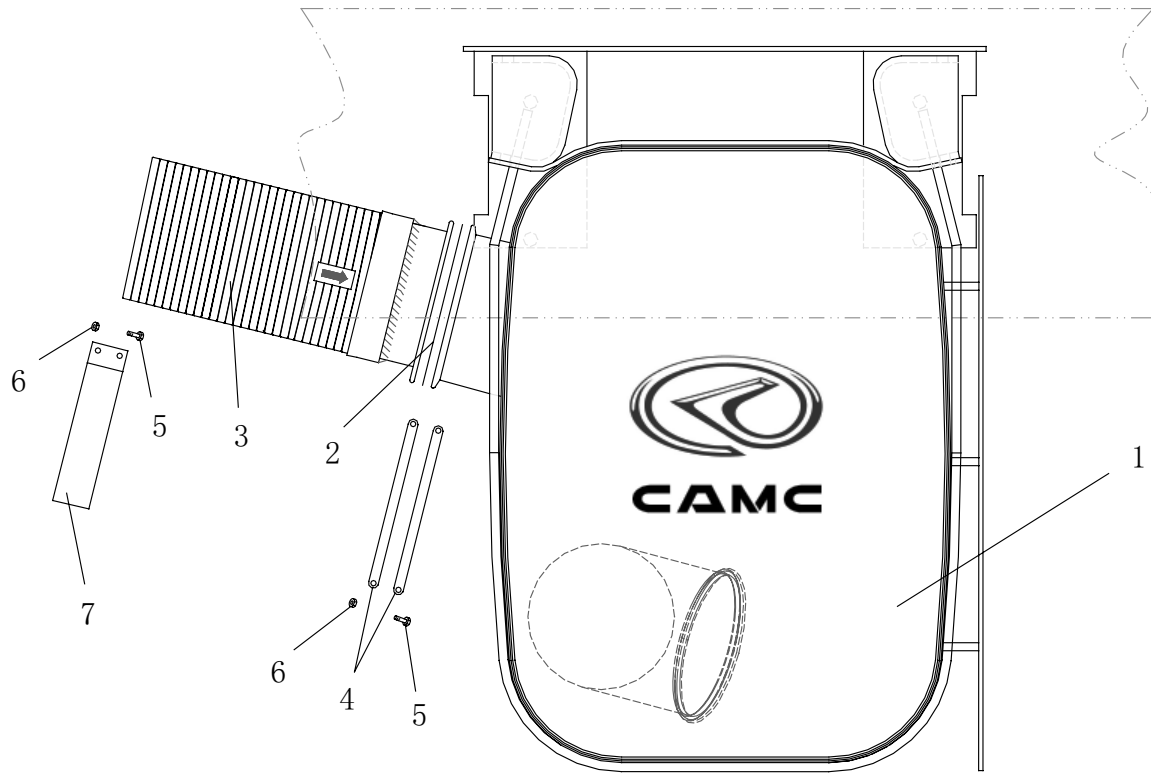
排气系统 / EXHAUST SYSTEM

12-24

序号 No.	件号 Part No.	数量 Quantity	名称 Name	规格 Specification	适用产品 Products Applied	备注 Remark
1	12AH23DQ-01061	1	隔热板 Insulating Board			
2	12AH23DQ-01062	1	装饰板 Trim Board			
3	12AH23DQ-01063	1	支架 Bracket			
4	12AH23DQ-01064	1	支架 Bracket			
5	12AH23DQ-01066	2	限位块 Limiting Stopper			
6	12AH23DQ-01067	2	拉紧杆 Tension Strut			
7	12AH23DZ-01051	1	平垫片 Plate Shim			
8	12AH23DZ-01052	2	斜垫片 Tilt Shim			
9	Q150B1265	4	六角头螺栓 Hexagon Head Bolt			
10	Q340B12	4	I型六角螺母 Hexagon Full Nut			
11	Q40112	4	平垫圈 Plate Washer			
12	Q40312	4	弹簧垫圈 Spring Washer			

## 排气管及消声器总成装配图 / EXHAUST PIPE AND MUFFLER ASSEMBLY

12-M



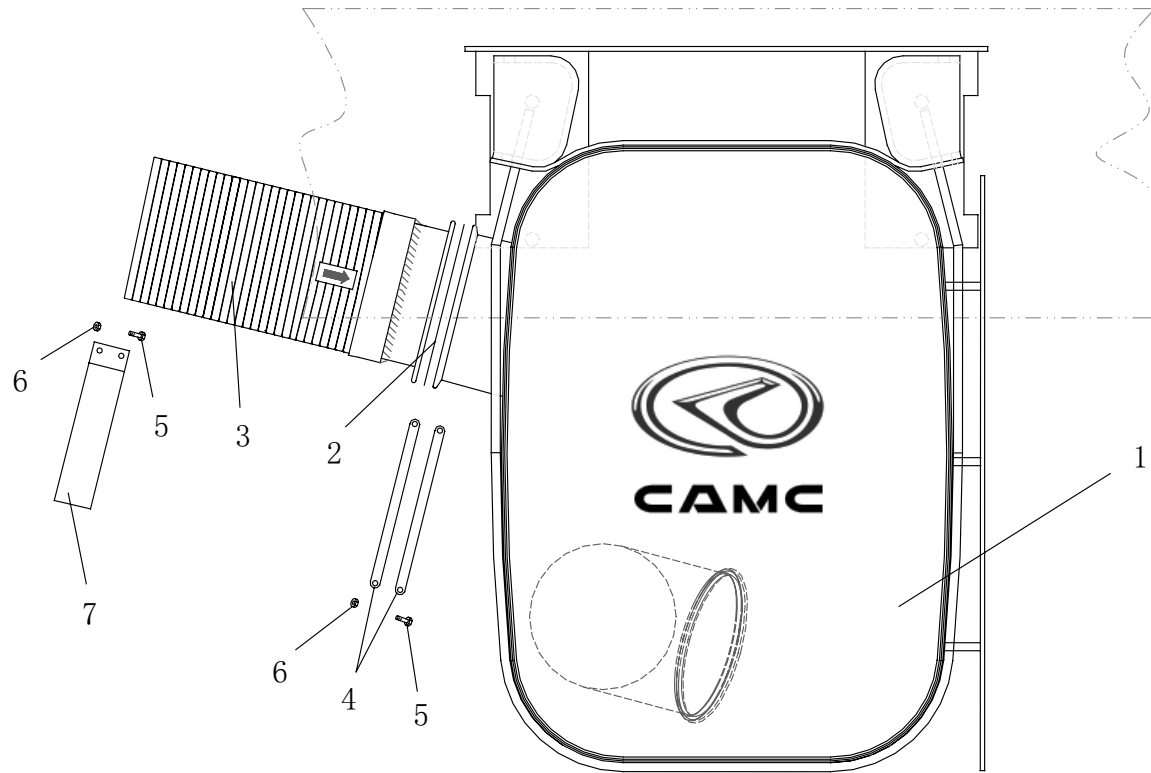
排气系统 / EXHAUST SYSTEM

12-26

序号 No.	件号 Part No.	数量 Quantity	名称 Name	规格 Specification	适用产品 Products Applied	备注 Remark
1	1201AH23DZ-010	1	消声器总成 Muffler Assembly			
2	12AH23DZ-03012	1	密封垫 Gasket			
3	12AH23DQ-03093	1	金属软管 Metal Hose			
4	12AH23DZ-03014	2	双卡箍 Dual Snap Ring			
5	Q150B0850	4	六角头螺栓 Hexagon Head Bolt			
6	Q33408	4	六角锁紧螺母 Hexagon Lock Nut			
7	12AH23DZ-03013	1	变截面卡箍 Variable Section Snap Ring			

## 排气管及消声器总成装配图 / EXHAUST PIPE AND MUFFLER ASSEMBLY

12-N



排气系统 / EXHAUST SYSTEM

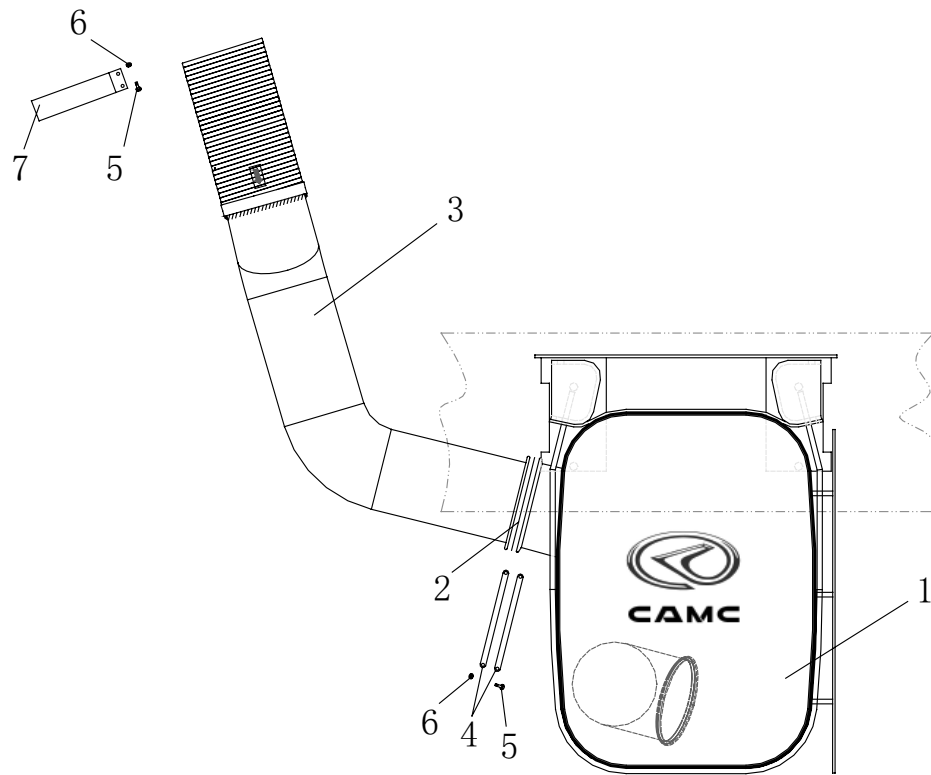
12-28

序号 No.	件号 Part No.	数量 Quantity	名称 Name	规格 Specification	适用产品 Products Applied	备注 Remark
1	1201AH2DZ-010	1	消声器总成 Muffler Assembly		消声器左置 Muffler Left Mounted	
	1201AH23DZ-010	1	消声器总成 Muffler Assembly		消声器右置 Muffler Right Mounted	
2	12AH23DZ-03012	1	密封垫 Gasket			
3	12AH23DZ-03093	1	金属软管 Metal Hose			
4	12AH23DZ-03014	2	双卡箍 Dual Snap Ring			
5	Q150B0850	4	六角头螺栓 Hexagon Head Bolt			
6	Q33408	4	六角锁紧螺母 Hexagon Lock Nut			
7	12AH23DZ-03013	1	变截面卡箍 Variable Section Snap Ring			



## 排气管及消声器总成装配图 / EXHAUST PIPE AND MUFFLER ASSEMBLY

12-0



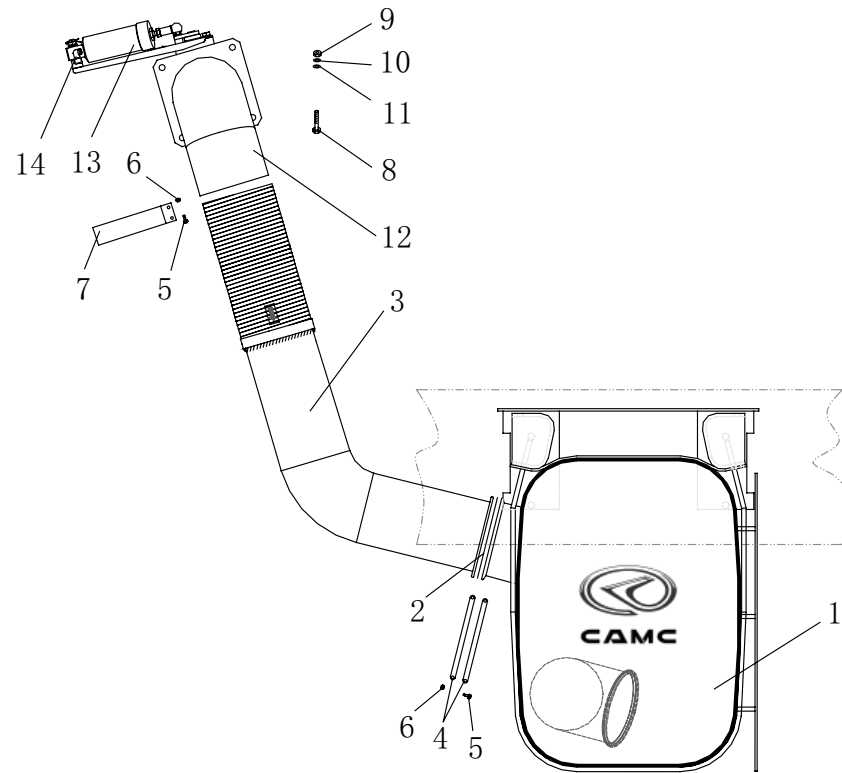
排气系统 / EXHAUST SYSTEM

12-30

序号 No.	件号 Part No.	数量 Quantity	名称 Name	规格 Specification	适用产品 Products Applied	备注 Remark
1	1201AH2DZ-010	1	消声器总成 Muffler Assembly			
2	12AH23DZ-03012	1	密封垫 Gasket			
3	12AH18DQ-03093	1	金属软管 Metal Hose			
4	12AH23DZ-03014	2	双卡箍 Dual Snap Ring			
5	Q150B0850	4	六角头螺栓 Hexagon Head Bolt			
6	Q33408	4	六角锁紧螺母 Hexagon Lock Nut			
7	12AH23DZ-03013	1	变截面卡箍 Variable Section Snap Ring			

## 排气管及消声器总成装配图 / EXHAUST PIPE AND MUFFLER ASSEMBLY

12-P



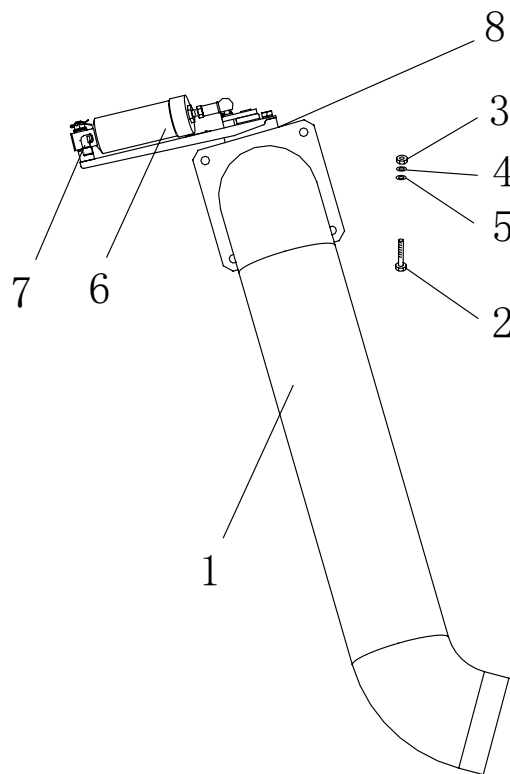
排气系统 / EXHAUST SYSTEM

12-32

序号 No.	件号 Part No.	数量 Quantity	名称 Name	规格 Specification	适用产品 Products Applied	备注 Remark
1	1201AH2DZ-010	1	消声器总成 Muffler Assembly			
2	12AH23DZ-03012	2	密封垫 Gasket			
3	12AH2DQ-03092	1	消声器中进气管 Middle Intake Pipe Of Muffler			
4	12AH23DZ-03014	2	双卡箍 Dual Snap Ring			
5	Q150B0850	4	六角头螺栓 Hexagon Head Bolt			
6	Q33408	4	六角锁紧螺母 Hexagon Lock Nut			
7	12AH23DZ-03013	1	变截面卡箍 Variable Section Snap Ring			
8	Q150B1045	4	六角头螺栓 Hexagon Head Bolt			
9	Q340B10	4	I型六角螺母 Hexagon Full Nut			
10	Q40110	4	平垫圈 Plate Washer			
11	Q40310	4	弹簧垫圈 Spring Washer			
12	12AH2DQ-03091	1	消声器前进气管 Front Intake Pipe Of Muffler			
13	3549AH22D-010	1	排气制动蝶阀总成 Exhaust Brake Butterfly Valve Assembly			
14	Q80406	1	卡套式直通接头 Ferrule-Straight Connector			

## 排气管装置图 / EXHAUST PIPE

12-Q



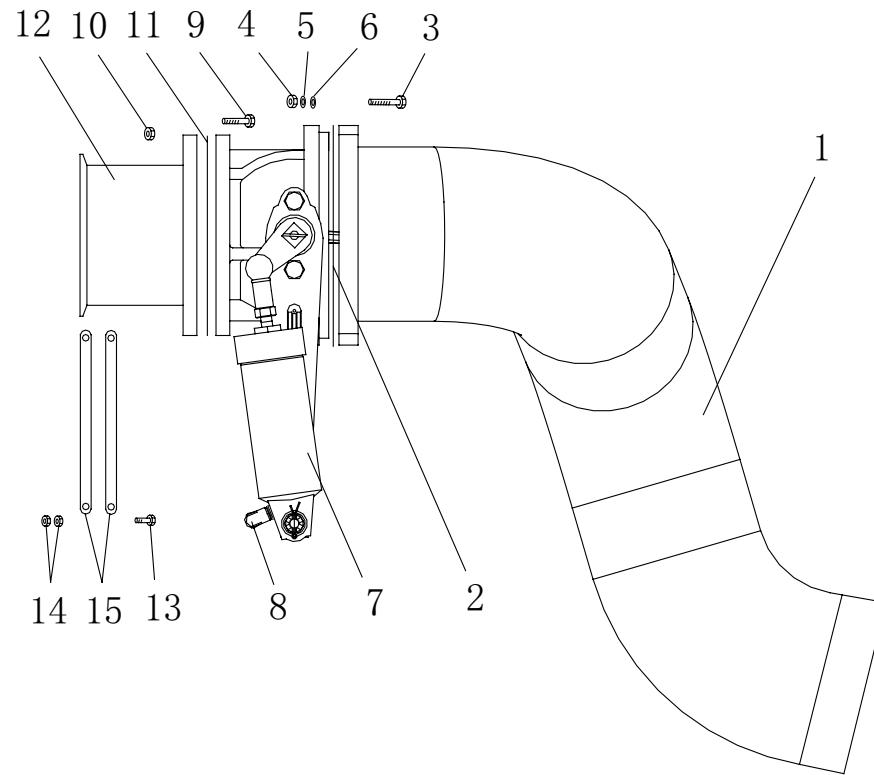
排气系统 / EXHAUST SYSTEM

12-34

序号 No.	件号 Part No.	数量 Quantity	名称 Name	规格 Specification	适用产品 Products Applied	备注 Remark
1	12AH2DZ-03091	1	消声器前进气管 Front Intake Pipe Of Muffler			
2	Q150B1045	4	六角头螺栓 Hexagon Head Bolt			
3	Q340B10	4	I型六角螺母 Hexagon Full Nut			
4	Q40110	4	平垫圈 Plate Washer			
5	Q40310	4	弹簧垫圈 Spring Washer			
6	3549AH22D-010	1	排气制动蝶阀总成 Exhaust Brake Butterfly Valve Assembly			
7	Q80406	1	卡套式直通接头 Ferrule—Straight Connector			
8	12A2DQ-03011	1	密封垫片 Seal Shim			

## 排气管装置图 / EXHAUST PIPE

12-R



排气系统 / EXHAUST SYSTEM

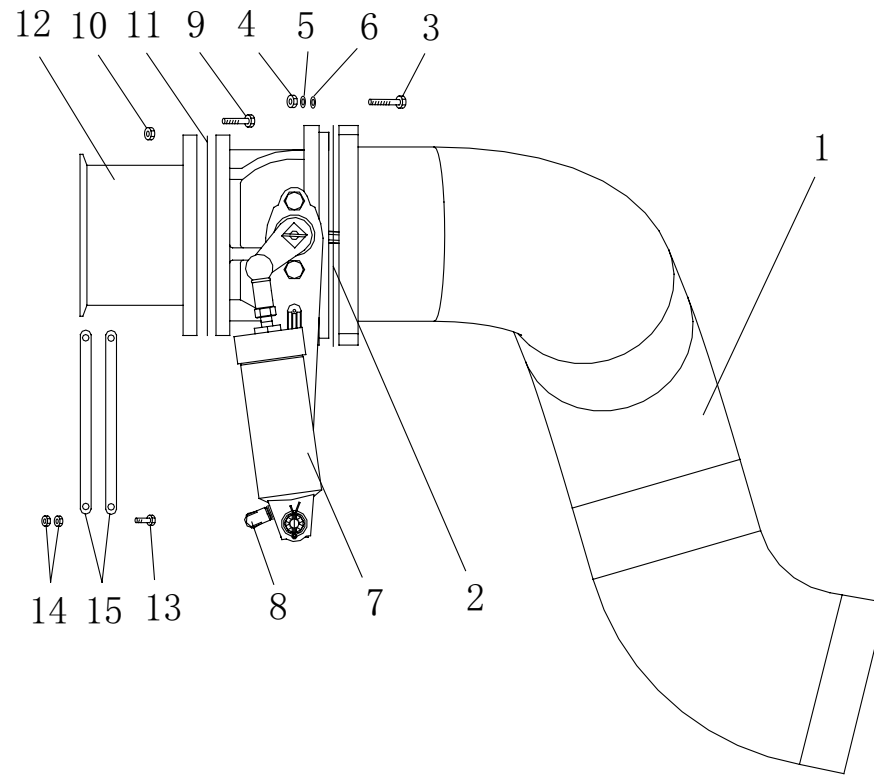
12-36

序号 No.	件号 Part No.	数量 Quantity	名称 Name	规格 Specification	适用产品 Products Applied	备注 Remark
1	12AH23DZ-03092	1	消声器中进气管 Middle Intake Pipe Of Muffler			
2	12AH23DZ-03012	1	密封垫 Gasket			
3	Q150B1045	4	六角头螺栓 Hexagon Head Bolt			
4	Q340B10	4	I型六角螺母 Hexagon Full Nut			
5	Q40110	4	平垫圈 Plate Washer			
6	Q40310	4	弹簧垫圈 Spring Washer			
7	3549AH22D-010	1	排气制动蝶阀总成 Exhaust Brake Butterfly Valve Assembly			
8	Q80406	1	卡套式直连接头 Ferrule—Straight Connector			
9	Q150B1035	6	六角头螺栓 Hexagon Head Bolt			
10	Q33410	6	六角锁紧螺母 Hexagon Lock Nut			
11	12A2DQ-03011	1	密封垫片 Seal Shim			
12	12AH23DZ-03091	1	消声器前进气管 Front Intake Pipe Of Muffler			
13	Q150B0850	2	六角头螺栓 Hexagon Head Bolt			
14	Q340B08	4	I型六角螺母 Hexagon Full Nut			



## 排气管装置图 / EXHAUST PIPE

12-R



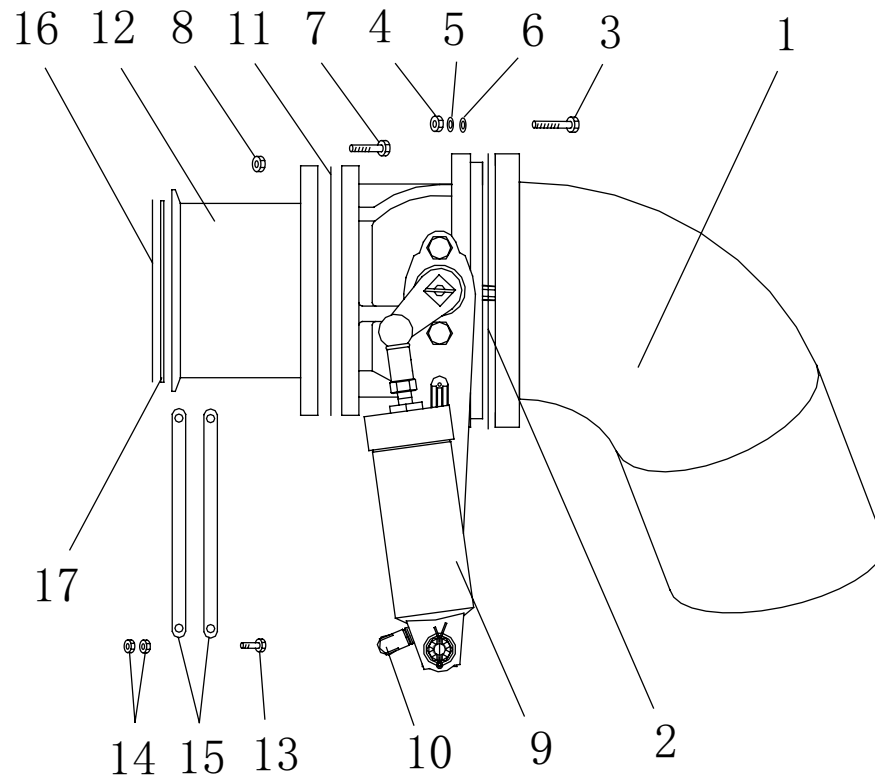
排气系统 / EXHAUST SYSTEM

12-38

序号 No.	件号 Part No.	数量 Quantity	名称 Name	规格 Specification	适用产品 Products Applied	备注 Remark
15	12A23DQ-03011	2	卡箍 Snap Ring			

## 排气管装置图 / EXHAUST PIPE

12-S



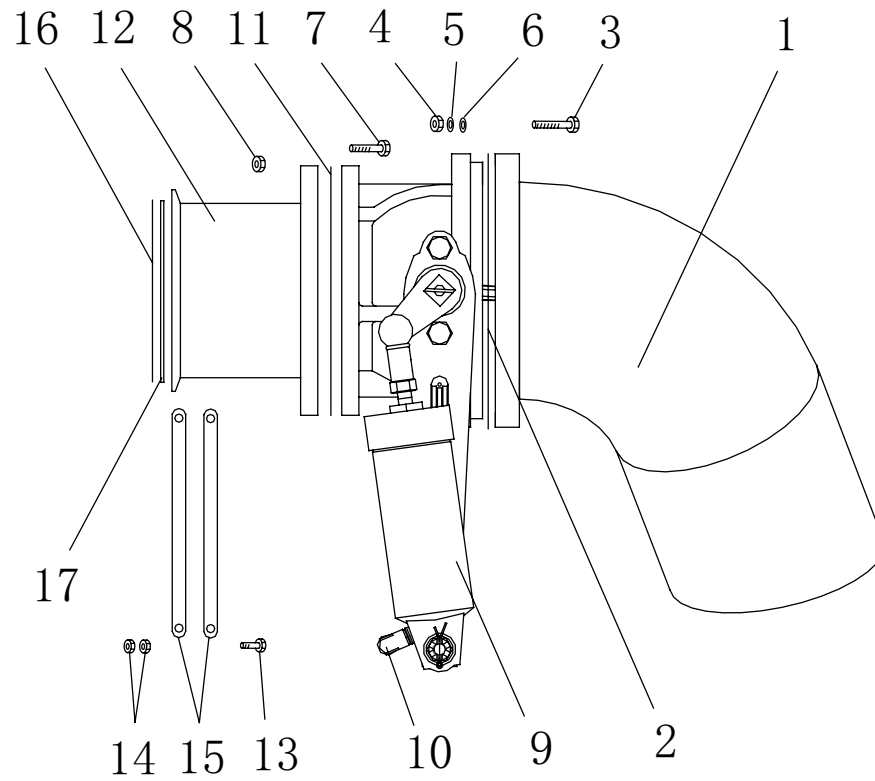
排气系统 / EXHAUST SYSTEM

12-40

序号 No.	件号 Part No.	数量 Quantity	名称 Name	规格 Specification	适用产品 Products Applied	备注 Remark
1	12AH23DZ-03092	1	消声器中进气管 Middle Intake Pipe Of Muffler			
2	12AH23DZ-03012	1	密封垫 Gasket			
3	Q150B1045	4	六角头螺栓 Hexagon Head Bolt			
4	Q340B10	4	I型六角螺母 Hexagon Full Nut			
5	Q40110	4	平垫圈 Plate Washer			
6	Q40310	4	弹簧垫圈 Spring Washer			
7	Q150B1035	6	六角头螺栓 Hexagon Head Bolt			
8	Q33410	6	六角锁紧螺母 Hexagon Lock Nut			
9	3549AH22D-010	1	排气制动蝶阀总成 Exhaust Brake Butterfly Valve Assembly			
10	Q80406	1	卡套式直通接头 Ferrule—Straight Connector			
11	12A2DQ-03011	1	密封垫片 Seal Shim			
12	12AH18DQ-03091	1	消声器前进气管 Front Intake Pipe Of Muffler			
13	Q150B0845	2	六角头螺栓 Hexagon Head Bolt			
14	Q340B08	4	I型六角螺母 Hexagon Full Nut			

## 排气管装置图 / EXHAUST PIPE

12-S



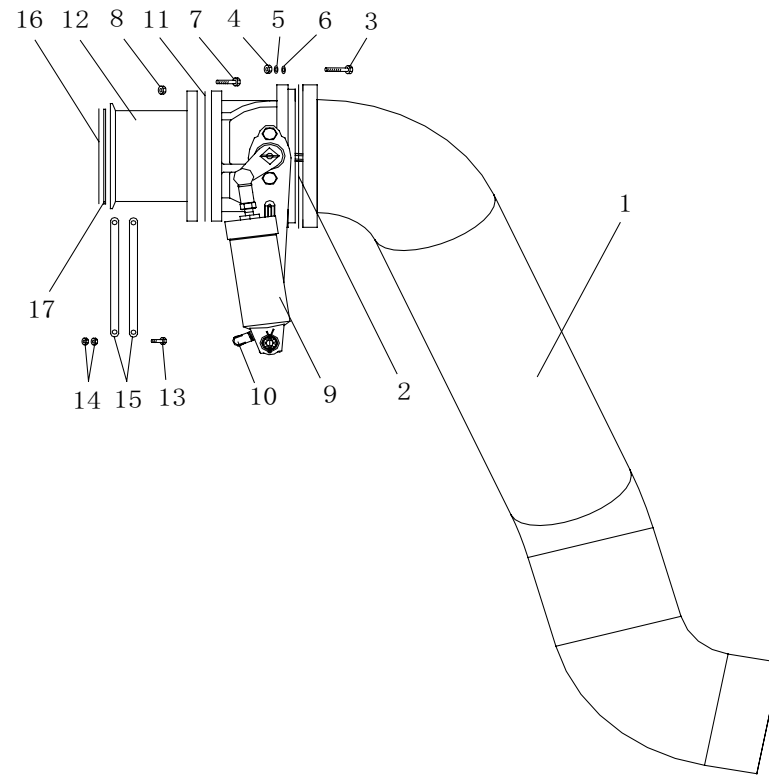
排气系统 / EXHAUST SYSTEM

12-42

序号 No.	件号 Part No.	数量 Quantity	名称 Name	规格 Specification	适用产品 Products Applied	备注 Remark
15	12A4D-03011	2	卡箍 -- 紧固消声器进气管 Snap Ring-Tightening Muffler Intake Pipe			
16	12A4D-03012	1	密封垫 Gasket			
17	12A4D-03013	6	密封片 Seal Plate			

## 排气管装置图 / EXHAUST PIPE

12-T



排气系统 / EXHAUST SYSTEM

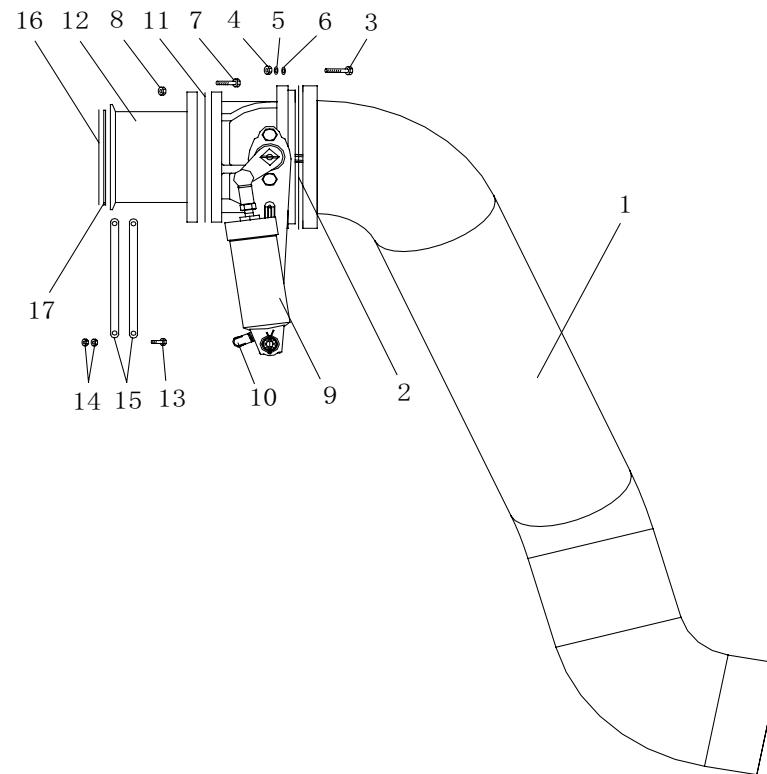
12-44

序号 No.	件号 Part No.	数量 Quantity	名称 Name	规格 Specification	适用产品 Products Applied	备注 Remark
1	12AH23DZ-03092	1	消声器中进气管 Middle Intake Pipe Of Muffler			
2	12AH23DZ-03012	1	密封垫 Gasket			
3	Q150B1045	4	六角头螺栓 Hexagon Head Bolt			
4	Q340B10	4	I型六角螺母 Hexagon Full Nut			
5	Q40110	4	平垫圈 Plate Washer			
6	Q40310	4	弹簧垫圈 Spring Washer			
7	Q150B1035	6	六角头螺栓 Hexagon Head Bolt			
8	Q33410	6	六角锁紧螺母 Hexagon Lock Nut			
9	3549AH22D-010	1	排气制动蝶阀总成 Exhaust Brake Butterfly Valve Assembly			
10	Q80406	1	卡套式直通接头 Ferrule—Straight Connector			
11	12A2DQ-03011	1	密封垫片 Seal Shim			
12	12AH18DQ-03091	1	消声器前进气管 Front Intake Pipe Of Muffler			
13	Q150B0845	2	六角头螺栓 Hexagon Head Bolt			
14	Q340B08	4	I型六角螺母 Hexagon Full Nut			



## 排气管装置图 / EXHAUST PIPE

12-T



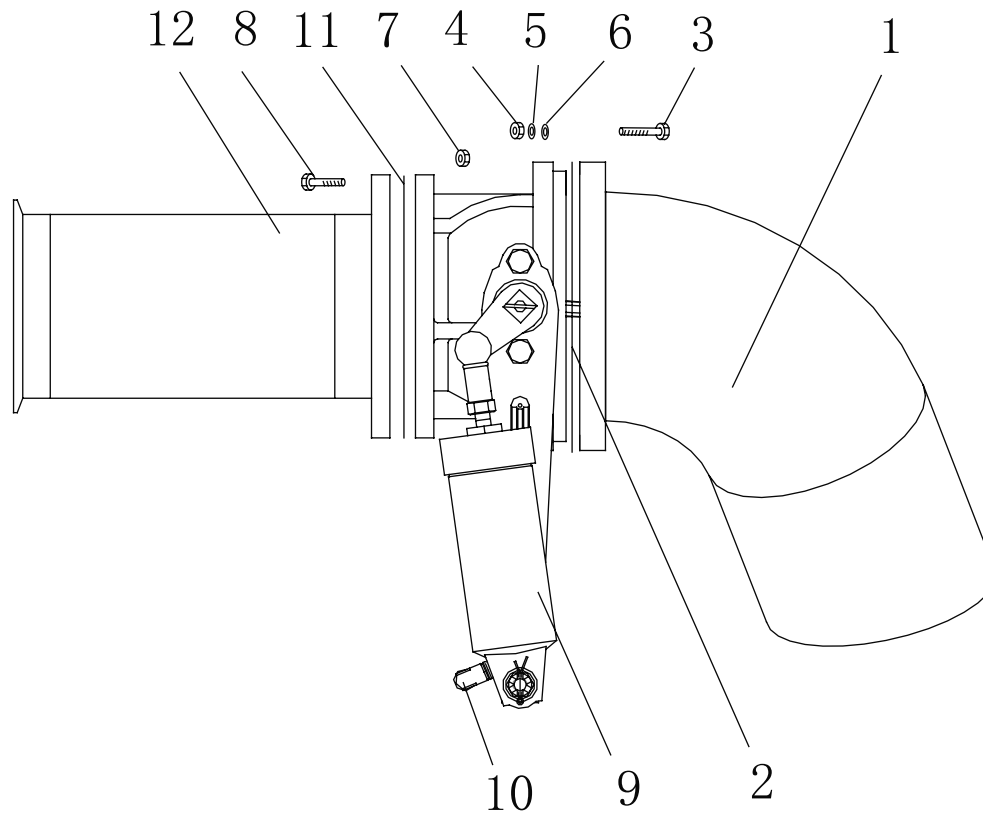
排气系统 / EXHAUST SYSTEM

12-46

序号 No.	件号 Part No.	数量 Quantity	名称 Name	规格 Specification	适用产品 Products Applied	备注 Remark
15	12A4D-03011	2	卡箍 -- 紧固消声器进气管 Snap Ring-Tightening Muffler Intake Pipe			
16	12A4D-03012	1	密封垫 Gasket			
17	12A4D-03013	6	密封片 Seal Plate			

## 排气管装置图 / EXHAUST PIPE

12-U



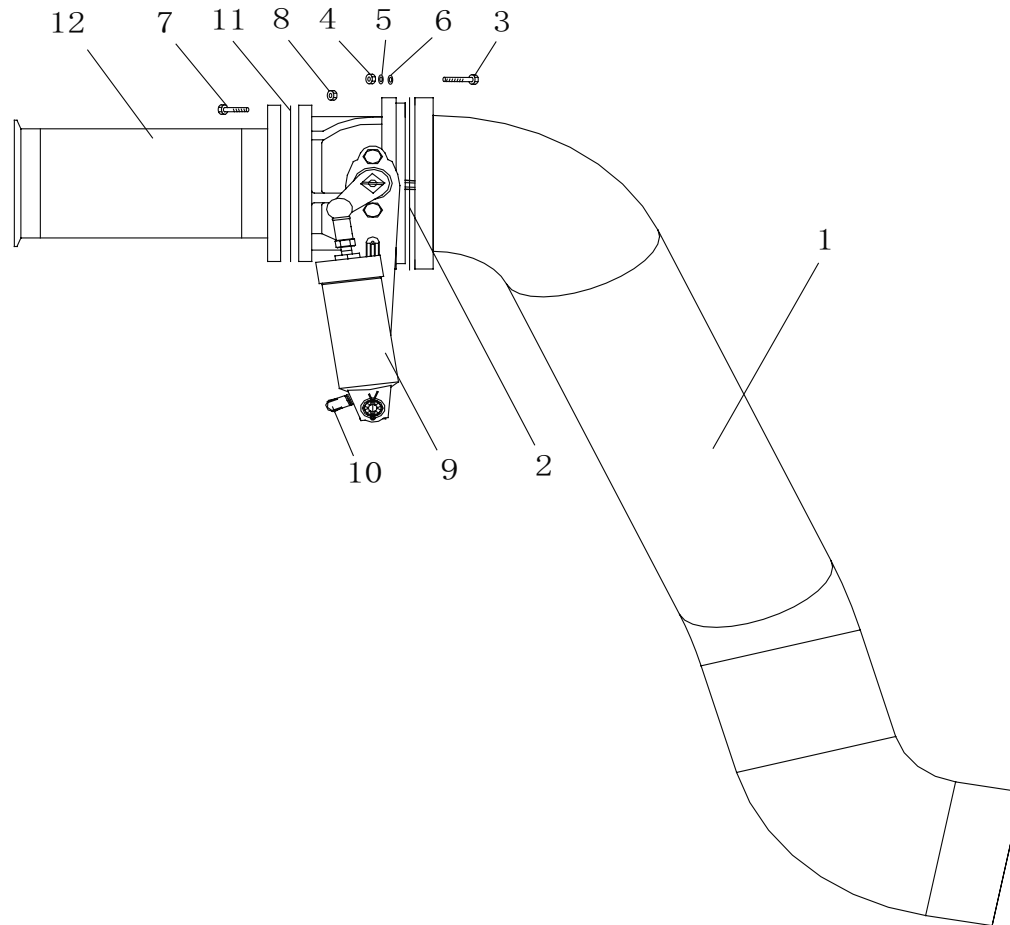
排气系统 / EXHAUST SYSTEM

12-48

序号 No.	件号 Part No.	数量 Quantity	名称 Name	规格 Specification	适用产品 Products Applied	备注 Remark
1	12AH18DQ-03092	1	消声器中进气管 Middle Intake Pipe Of Muffler			
2	12AH23DZ-03012	1	密封垫 Gasket			
3	Q150B1045	4	六角头螺栓 Hexagon Head Bolt			
4	Q340B10	4	I型六角螺母 Hexagon Full Nut			
5	Q40110	4	平垫圈 Plate Washer			
6	Q40310	4	弹簧垫圈 Spring Washer			
7	Q150B1035	6	六角头螺栓 Hexagon Head Bolt			
8	Q33410	6	六角锁紧螺母 Hexagon Lock Nut			
9	3549AH22D-010	1	排气制动蝶阀总成 Exhaust Brake Butterfly Valve Assembly			
10	Q80406	1	卡套式直通接头 Ferrule—Straight Connector			
11	12A2DQ-03011	1	密封垫片 Seal Shim			
12	12AH68DZ-03091	1	消声器前进气管 Front Intake Pipe Of Muffler			

## 排气管装置图 / EXHAUST PIPE

12-V



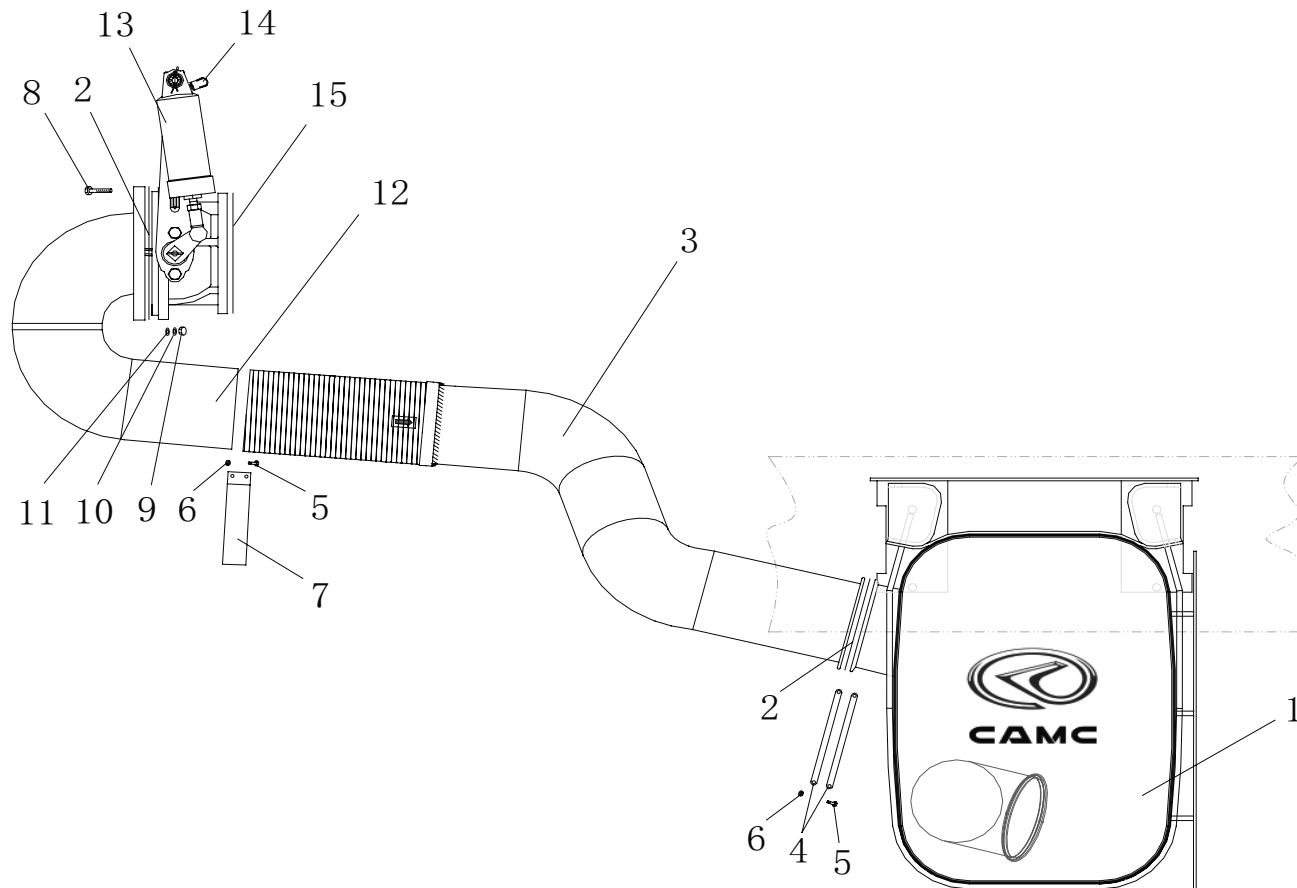
排气系统 / EXHAUST SYSTEM

12-50

序号 No.	件号 Part No.	数量 Quantity	名称 Name	规格 Specification	适用产品 Products Applied	备注 Remark
1	12AH21DZ-03092	1	消声器中进气管 Middle Intake Pipe Of Muffler			
2	12AH23DZ-03012	1	密封垫 Gasket			
3	Q150B1045	4	六角头螺栓 Hexagon Head Bolt			
4	Q340B10	4	I型六角螺母 Hexagon Full Nut			
5	Q40110	4	平垫圈 Plate Washer			
6	Q40310	4	弹簧垫圈 Spring Washer			
7	Q150B1035	6	六角头螺栓 Hexagon Head Bolt			
8	Q33410	6	六角锁紧螺母 Hexagon Lock Nut			
9	3549AH22D-010	1	排气制动蝶阀总成 Exhaust Brake Butterfly Valve Assembly			
10	Q80406	1	卡套式直通接头 Ferrule—Straight Connector			
11	12A2DQ-03011	1	密封垫片 Seal Shim			
12	12AH68DZ-03091	1	消声器前进气管 Front Intake Pipe Of Muffler			

## 排气管装置图 / EXHAUST PIPE

12-W



排气系统 / EXHAUST SYSTEM

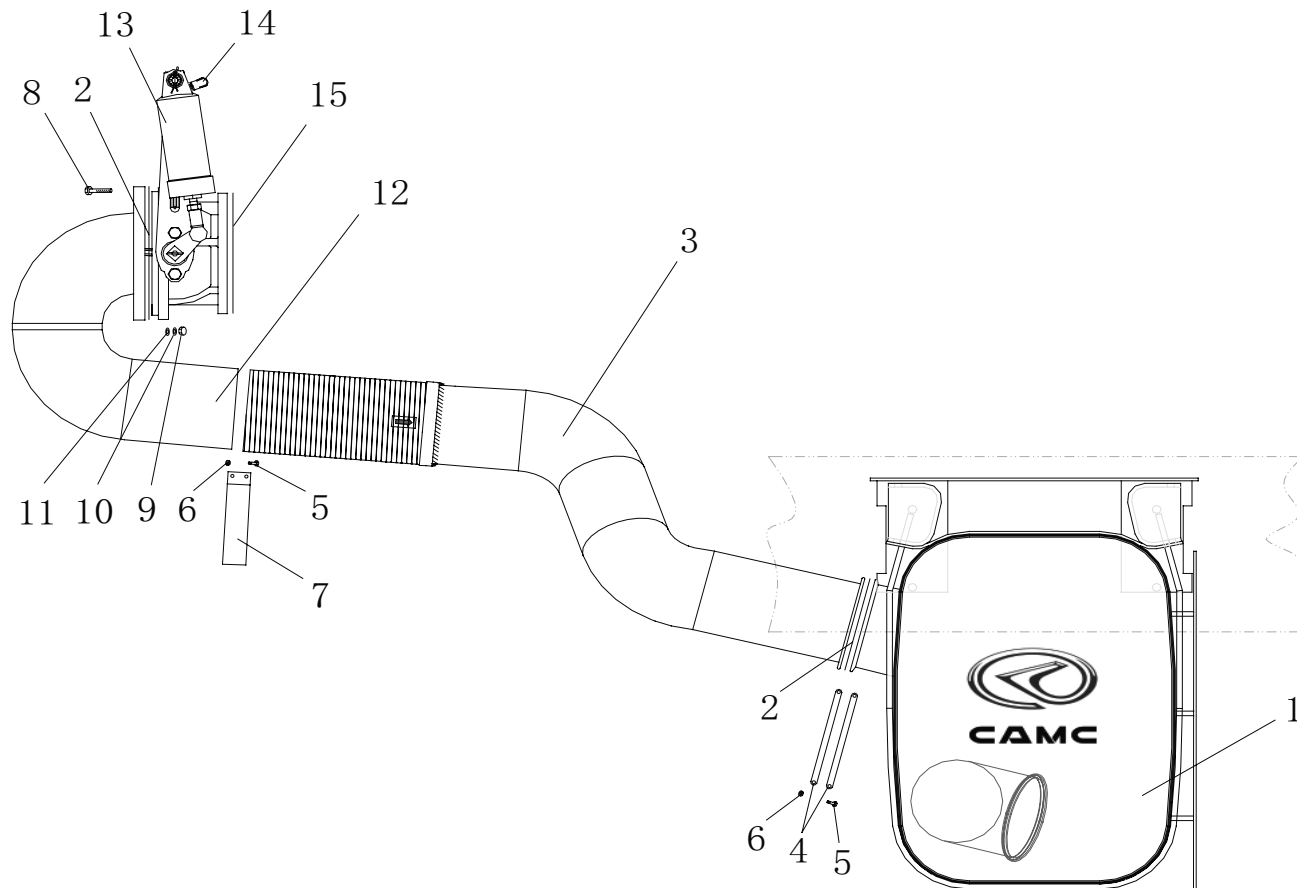
12-52

序号 No.	件号 Part No.	数量 Quantity	名称 Name	规格 Specification	适用产品 Products Applied	备注 Remark
1	1201AH2DZ-010	1	消声器总成 Muffler Assembly			
2	12AH23DZ-03012	2	密封垫 Gasket			
3	12AH59DQ-03092	1	消声器中进气管 Middle Intake Pipe Of Muffler			
4	12AH23DZ-03014	2	双卡箍 Dual Snap Ring			
5	Q150B0850	4	六角头螺栓 Hexagon Head Bolt			
6	Q33408	4	六角锁紧螺母 Hexagon Lock Nut			
7	12AH23DZ-03013	1	变截面卡箍 Variable Section Snap Ring			
8	Q150B1045	4	六角头螺栓 Hexagon Head Bolt			
9	Q340B10	4	I型六角螺母 Hexagon Full Nut			
10	Q40110	4	平垫圈 Plate Washer			
11	Q40310	4	弹簧垫圈 Spring Washer			
12	12AH59DQ-03091	1	消声器前进气管 Front Intake Pipe Of Muffler			
13	3549AH22D-010	1	排气制动蝶阀总成 Exhaust Brake Butterfly Valve Assembly			
14	Q80406	1	卡套式直通接头 Ferrule—Straight Connector			



## 排气管装置图 / EXHAUST PIPE

12-W



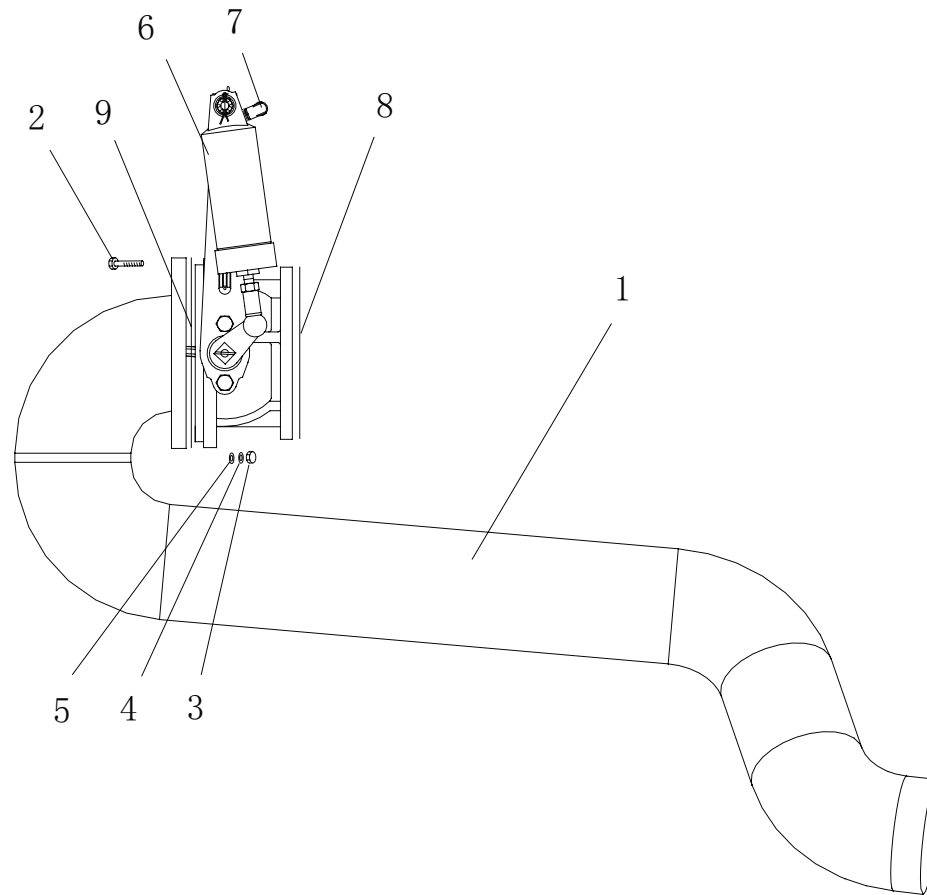
排气系统 / EXHAUST SYSTEM

12-54

序号 No.	件号 Part No.	数量 Quantity	名称 Name	规格 Specification	适用产品 Products Applied	备注 Remark
15	12A2DQ-03011	1	密封垫片 Seal Shim			

## 排气管装置图 / EXHAUST PIPE

12-X



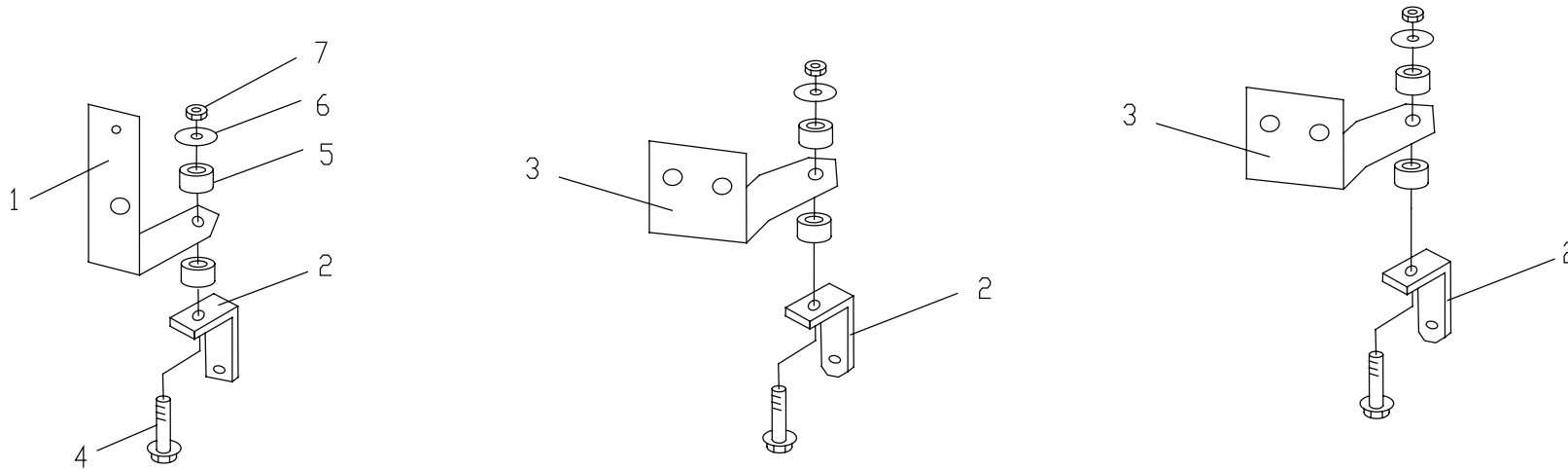
排气系统 / EXHAUST SYSTEM

12-56

序号 No.	件号 Part No.	数量 Quantity	名称 Name	规格 Specification	适用产品 Products Applied	备注 Remark
1	12AH59DZ-03091	1	消声器前进气管 Front Intake Pipe Of Muffler			
2	Q150B1045	4	六角头螺栓 Hexagon Head Bolt			
3	Q340B10	4	I型六角螺母 Hexagon Full Nut			
4	Q40110	4	平垫圈 Plate Washer			
5	Q40310	4	弹簧垫圈 Spring Washer			
6	3549AH22D-010	1	排气制动蝶阀总成 Exhaust Brake Butterfly Valve Assembly			
7	Q80406	1	卡套式直连接头 Ferrule—Straight Connector			
8	12A2DQ-03011	1	密封垫片 Seal Shim			
9	12AH23DZ-03012	1	密封垫 Gasket			

## 排气系统支架预装图 / EXHAUST SYSTEM BRACKET

12-Y



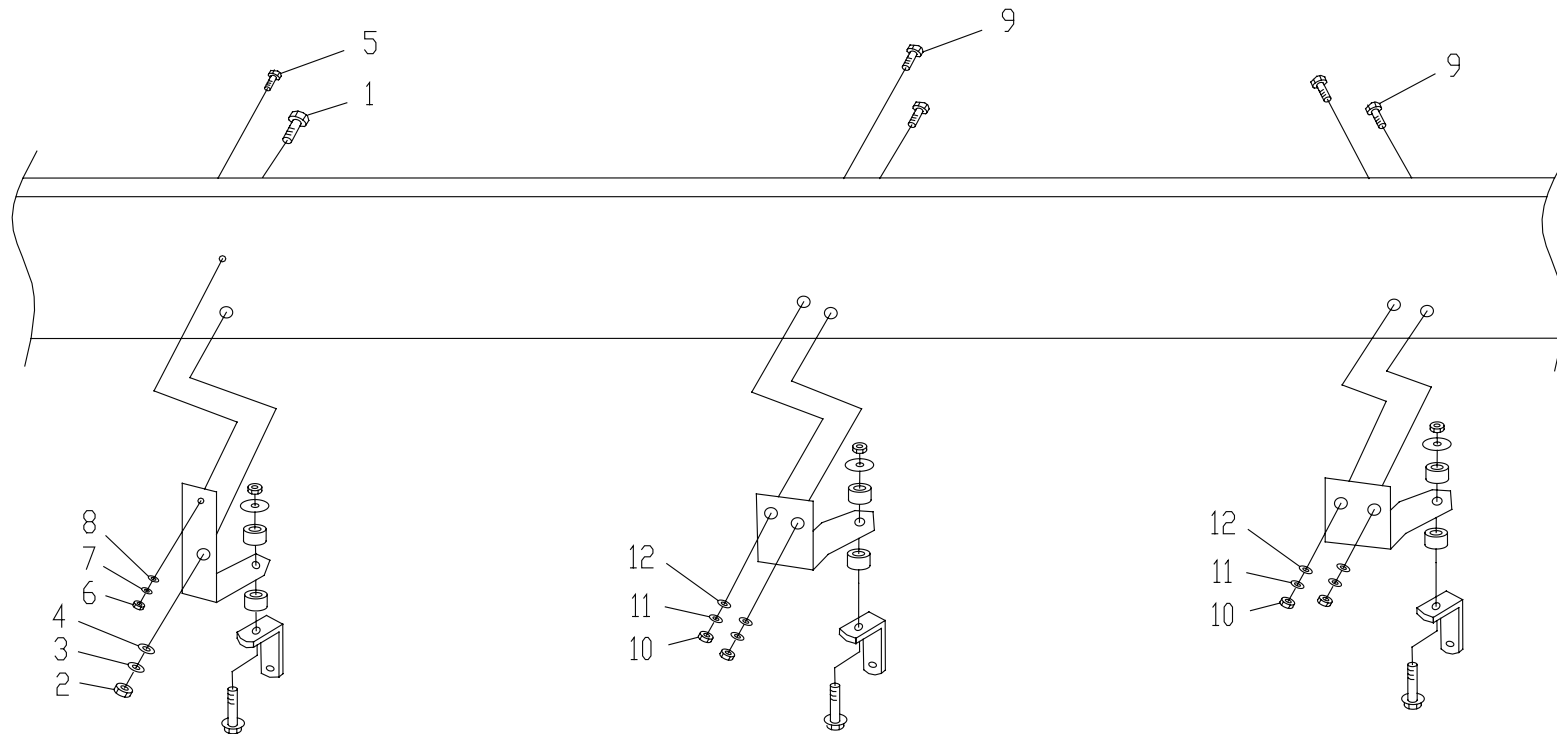
排气系统 / EXHAUST SYSTEM

12-58

序号 No.	件号 Part No.	数量 Quantity	名称 Name	规格 Specification	适用产品 Products Applied	备注 Remark
1	12A17DP5-03021	1	排气管支架 Exhaust Pipe Bracket			
2	12A4DP-01028	3	消声器前吊架 Front Hanger Of Muffler			
3	12A4DP3-01027	2	消声器后支架 Rear Bracket Of Muffler			
4	Q1841080	3	六角法兰螺栓 Hexagon Bolt With Flange			
5	12AD-01026	6	橡胶软垫 Rubber Mat			
6	Q40210	3	大垫圈 Big Washer			
7	Q33410	3	六角锁紧螺母 Hexagon Lock Nut			

## 排气系统支架总装图 / EXHAUST SYSTEM BRACKET

12-Z



排气系统 / EXHAUST SYSTEM

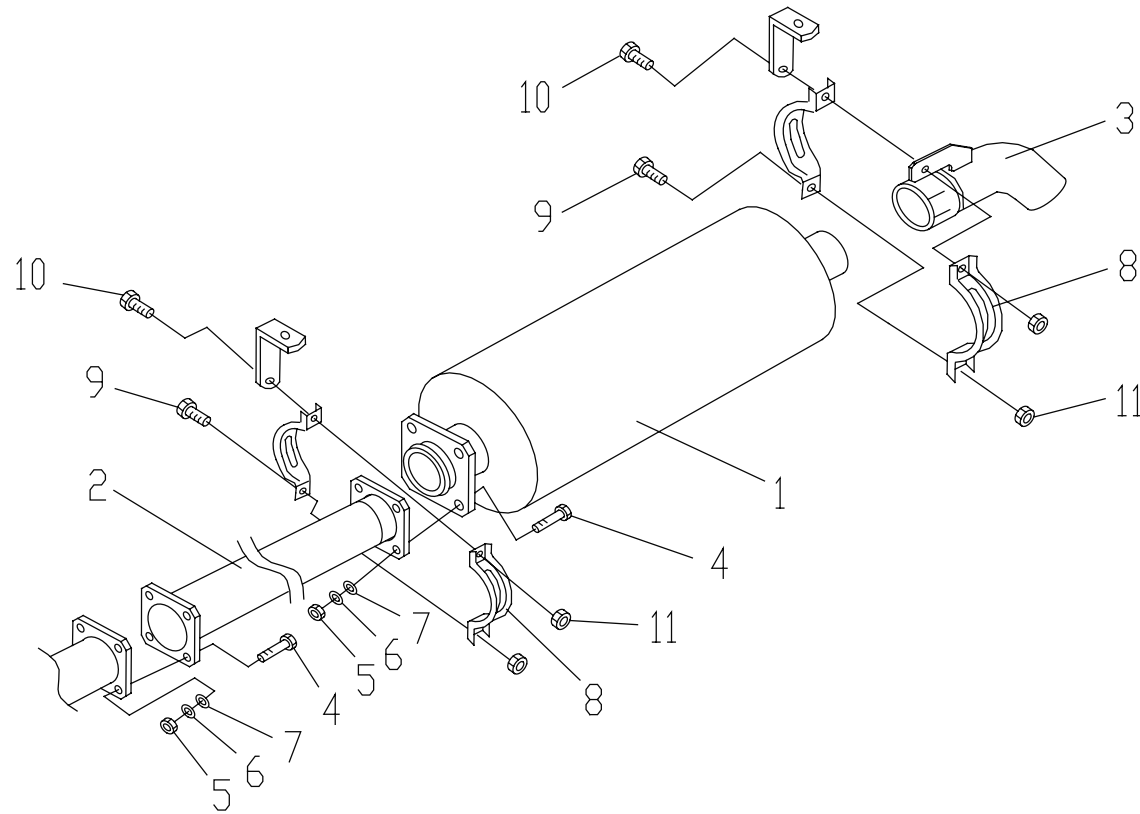
12-60

序号 No.	件号 Part No.	数量 Quantity	名称 Name	规格 Specification	适用产品 Products Applied	备注 Remark
1	Q150B1245	1	六角头螺栓 Hexagon Head Bolt			
2	Q340B12	1	I型六角螺母 Hexagon Full Nut			
3	Q40312	1	弹簧垫圈 Spring Washer			
4	Q40112	1	平垫圈 Plate Washer			
5	Q150B0840	1	六角头螺栓 Hexagon Head Bolt			
6	Q340B08	1	I型六角螺母 Hexagon Full Nut			
7	Q40308	1	弹簧垫圈 Spring Washer			
8	Q40108	1	平垫圈 Plate Washer			
9	Q150B1040	4	六角头螺栓 Hexagon Head Bolt			
10	Q340B10	4	I型六角螺母 Hexagon Full Nut			
11	Q40310	4	弹簧垫圈 Spring Washer			
12	Q40110	4	平垫圈 Plate Washer			



## 排气管及消声器总成装置图 / EXHAUST PIPE AND MUFFLER ASSEMBLY

## 12-AA



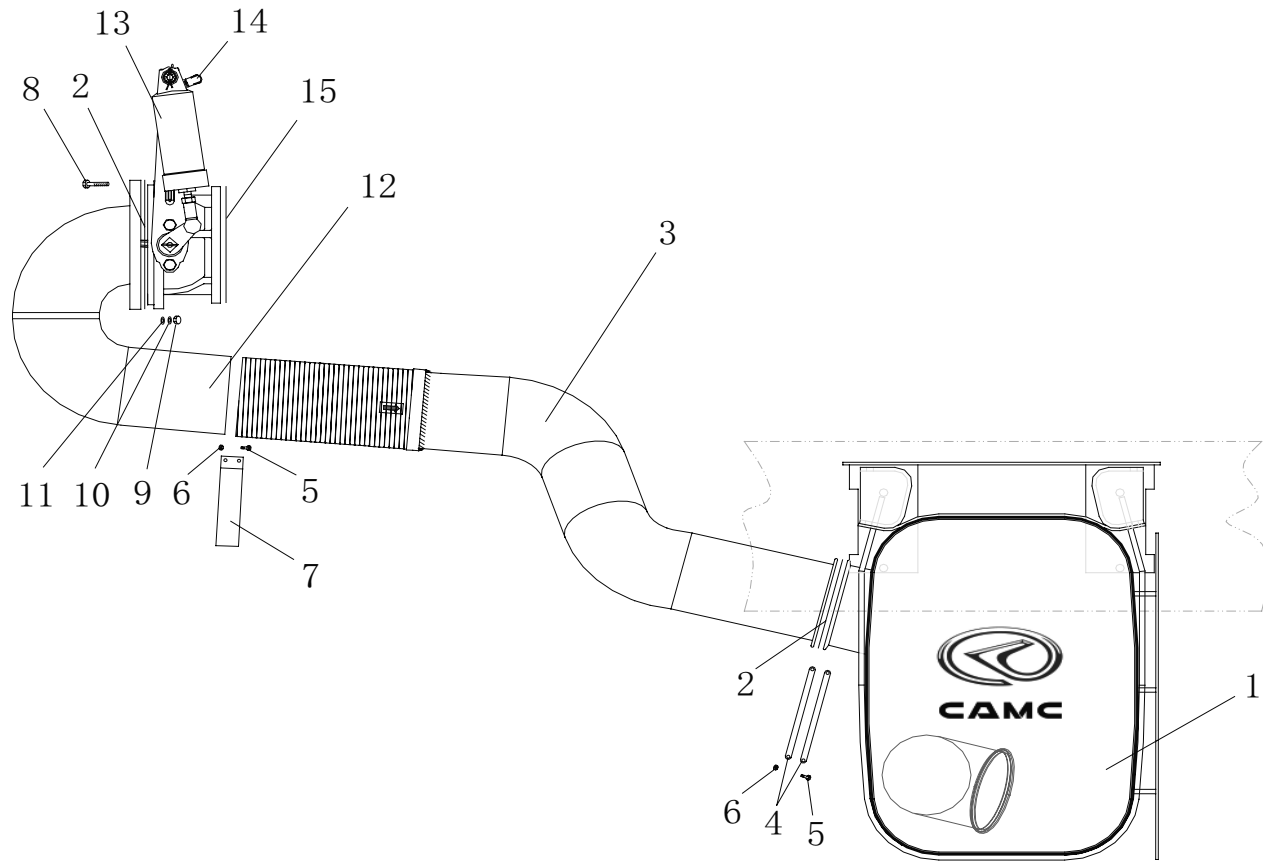
排气系统 / EXHAUST SYSTEM

12-62

序号 No.	件号 Part No.	数量 Quantity	名称 Name	规格 Specification	适用产品 Products Applied	备注 Remark
1	1201A4D-010	1	消声器总成 Muffler Assembly			
2	12A2DQ16-03093	1	消声器后进气管 Rear Intake Pipe Of Muffler			
3	12A17DP5-09051	1	消声器排气尾管 Tail Tube Of Muffler			
4	Q150B1265	8	六角头螺栓 Hexagon Head Bolt			
5	Q340B12	8	I型六角螺母 Hexagon Full Nut			
6	Q40312	8	弹簧垫圈 Spring Washer			
7	Q40112	8	平垫圈 Plate Washer			
8	12AD-01021	4	半圆形卡环 Half-Round Clamping Ring			
9	Q150B1035	2	六角头螺栓 Hexagon Head Bolt			
10	Q150B1040	2	六角头螺栓 Hexagon Head Bolt			
11	Q33410	4	六角锁紧螺母 Hexagon Lock Nut			

## 排气管装置图 / EXHAUST PIPE

## 12-AB



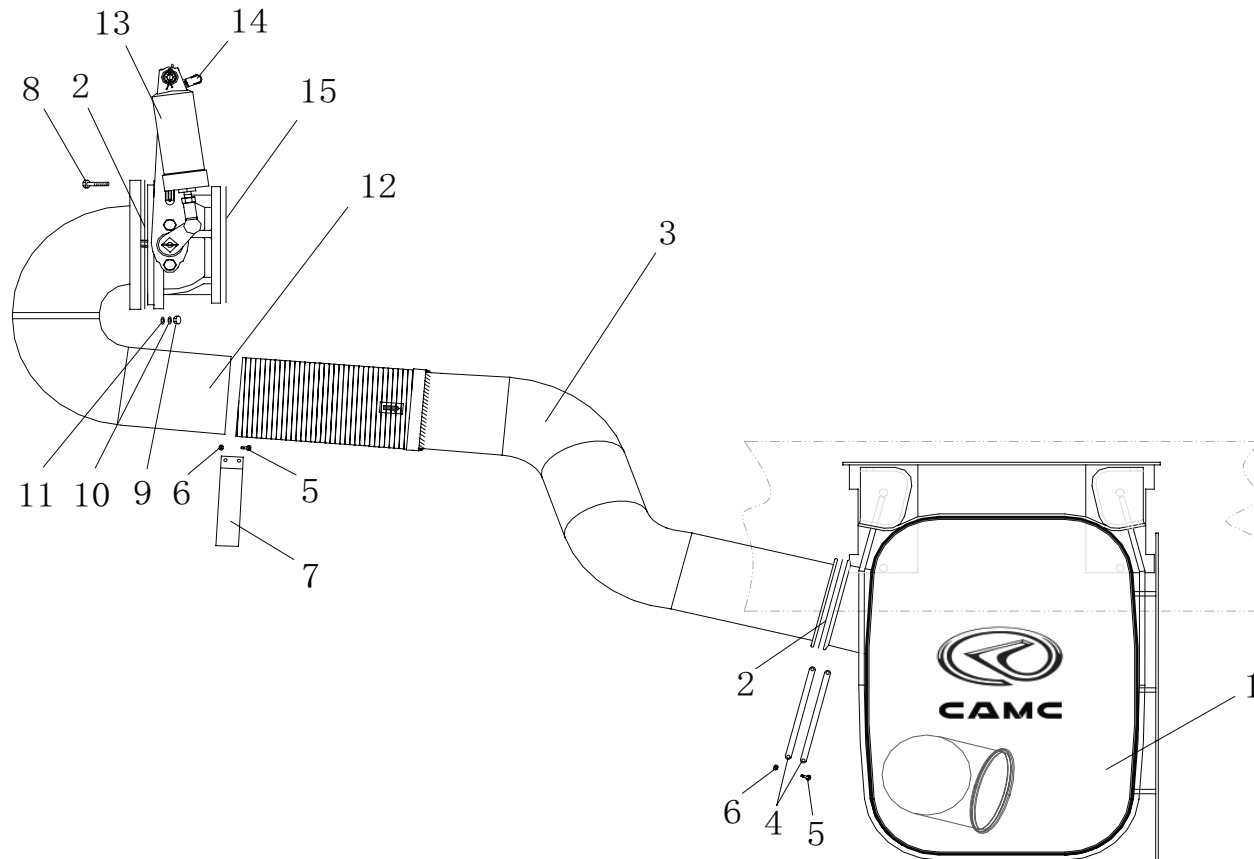
排气系统 / EXHAUST SYSTEM

12-64

序号 No.	件号 Part No.	数量 Quantity	名称 Name	规格 Specification	适用产品 Products Applied	备注 Remark
1	1201AH2DZ-010	1	消声器总成 Muffler Assembly			
2	12AH23DZ-03012	2	密封垫 Gasket			
3	12AH82DQ-03092	1	消声器中进气管 Middle Intake Pipe Of Muffler		WD12 系列牵引车 WD12 Series Tractor	
	12AH82DZ-03092	1	消声器中进气管 Middle Intake Pipe Of Muffler		WD12 系列非牵引车 WD12 Series Non Tractor	
4	12AH23DZ-03014	2	双卡箍 Dual Snap Ring			
5	Q150B0850	4	六角头螺栓 Hexagon Head Bolt			
6	Q33408	4	六角锁紧螺母 Hexagon Lock Nut			
7	12AH23DZ-03013	1	变截面卡箍 Variable Section Snap Ring			
8	Q150B1045	4	六角头螺栓 Hexagon Head Bolt			
9	Q340B10	4	I 型六角螺母 Hexagon Full Nut			
10	Q40110	4	平垫圈 Plate Washer			
11	Q40310	4	弹簧垫圈 Spring Washer			
12	12AH82DQ-03091	1	消声器前进气管 Front Intake Pipe Of Muffler		WD12 系列牵引车 WD12 Series Tractor	
	12AH82DQ-03091	1	消声器前进气管 Front Intake Pipe Of Muffler		WD12 系列非牵引车 WD12 Series Non Tractor	

## 排气管装置图 / EXHAUST PIPE

12-AB



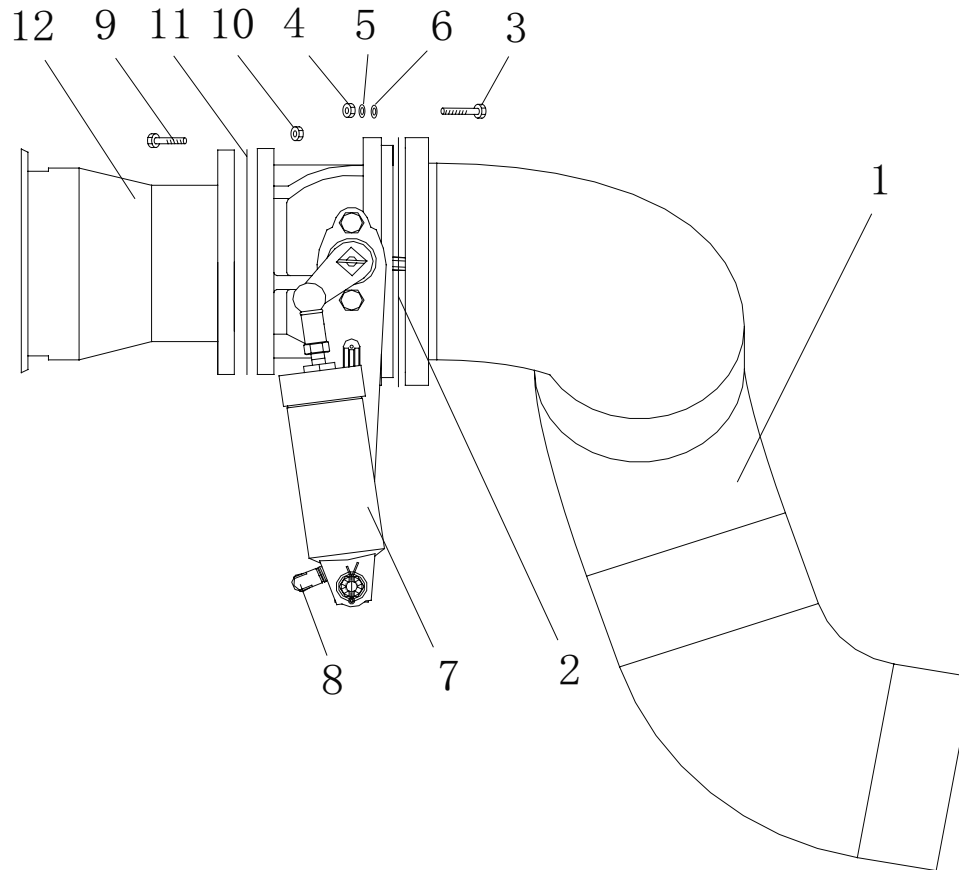
排气系统 / EXHAUST SYSTEM

12-66

序号 No.	件号 Part No.	数量 Quantity	名称 Name	规格 Specification	适用产品 Products Applied	备注 Remark
13	3549AH22D-010	1	排气制动蝶阀总成 Exhaust Brake Butterfly Valve Assembly			
14	Q80406	1	卡套式直通接头 Ferrule—Straight Connector			
15	12A2DQ-03011	1	密封垫片 Seal Shim			

## 排气管装置图 / EXHAUST PIPE

12-AC



排气系统 / EXHAUST SYSTEM

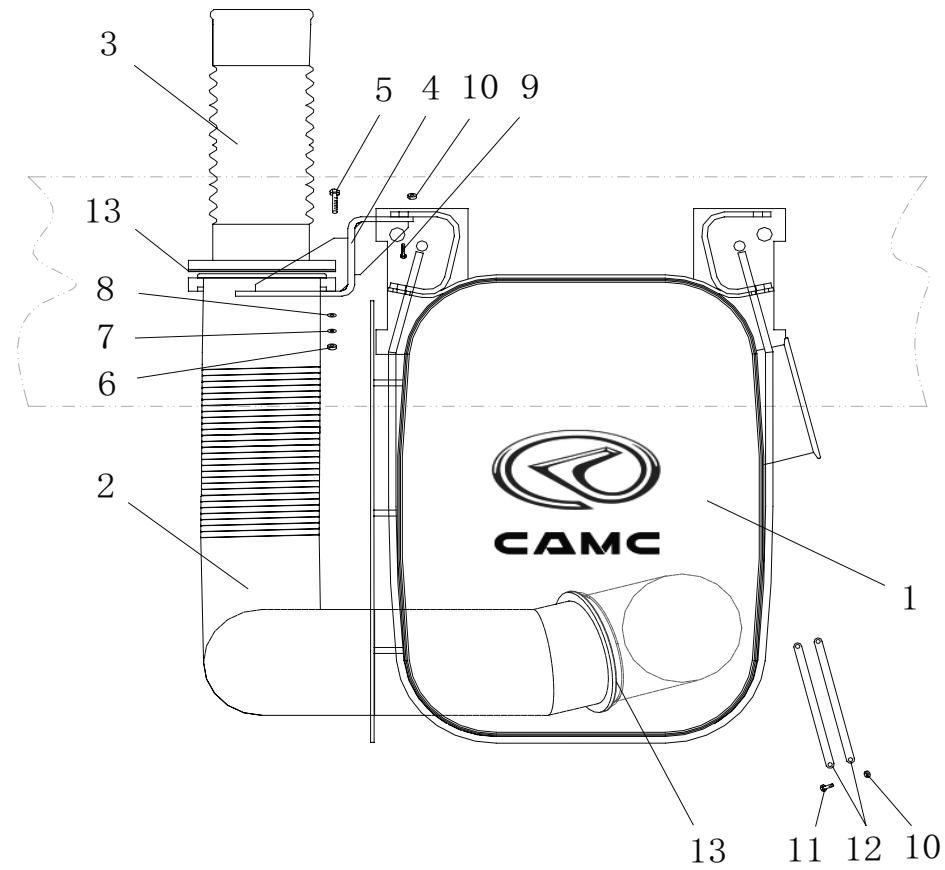
12-68

序号 No.	件号 Part No.	数量 Quantity	名称 Name	规格 Specification	适用产品 Products Applied	备注 Remark
1	12AH52DZ-03092	1	消声器中进气管 Middle Intake Pipe Of Muffler			
2	12AH23DZ-03012	1	密封垫 Gasket			
3	Q150B1045	4	六角头螺栓 Hexagon Head Bolt			
4	Q340B10	4	I 型六角螺母 Hexagon Full Nut			
5	Q40110	4	平垫圈 Plate Washer			
6	Q40310	4	弹簧垫圈 Spring Washer			
7	3549AH22D-010	1	排气制动蝶阀总成 Exhaust Brake Butterfly Valve Assembly			
8	Q80406	1	卡套式直通接头 Ferrule—Straight Connector			
9	Q150B1035	6	六角头螺栓 Hexagon Head Bolt			
10	Q33410	6	六角锁紧螺母 Hexagon Lock Nut			
11	12A2DQ-03011	1	密封垫片 Seal Shim			
12	12AH52DQ-03091	1	消声器前进气管 Front Intake Pipe Of Muffler			



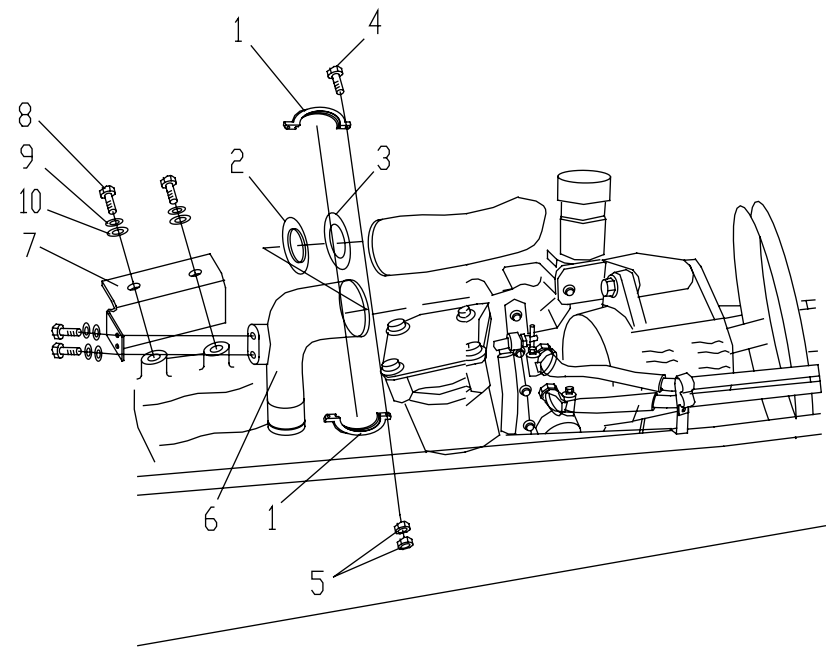
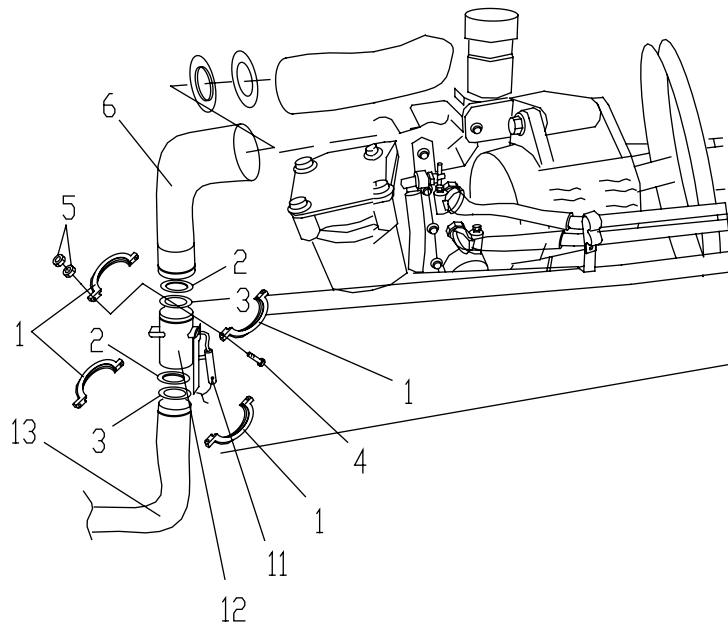
## 消声器排气管装置图 / MUFFLER EXHAUST PIPE

12-AD



## 发动机排气出口部件装置图 / ENGINE EXHAUST OUTLET PARTS

12-A



排气系统 / EXHAUST SYSTEM

12-70

序号 No.	件号 Part No.	数量 Quantity	名称 Name	规格 Specification	适用产品 Products Applied	备注 Remark
1	1201AH18DZ-010	1	消声器总成 Muffler Assembly			
2	12AH18DZ-09052	1	消声器下尾管 Lower Tail Tube Of Muffler			
3	12AH18DZ-09053	1	消声器上尾管 Upper Tail Tube Of Muffler			
4	12AH18DZ-09011	1	支架 Bracket			
5	Q150B1055	2	六角头螺栓 Hexagon Head Bolt			
6	Q340B10	2	I型六角螺母 Hexagon Full Nut			
7	Q40310	2	弹簧垫圈 Spring Washer			
8	Q40110	2	平垫圈 Plate Washer			
9	Q150B0840	2	六角头螺栓 Hexagon Head Bolt			
10	Q33408	4	六角锁紧螺母 Hexagon Lock Nut			
11	Q150B0850	2	六角头螺栓 Hexagon Head Bolt			
12	12AH23DZ-03014	2	双卡箍 Dual Snap Ring			
13	12AH23DZ-03012	2	密封垫 Gasket			



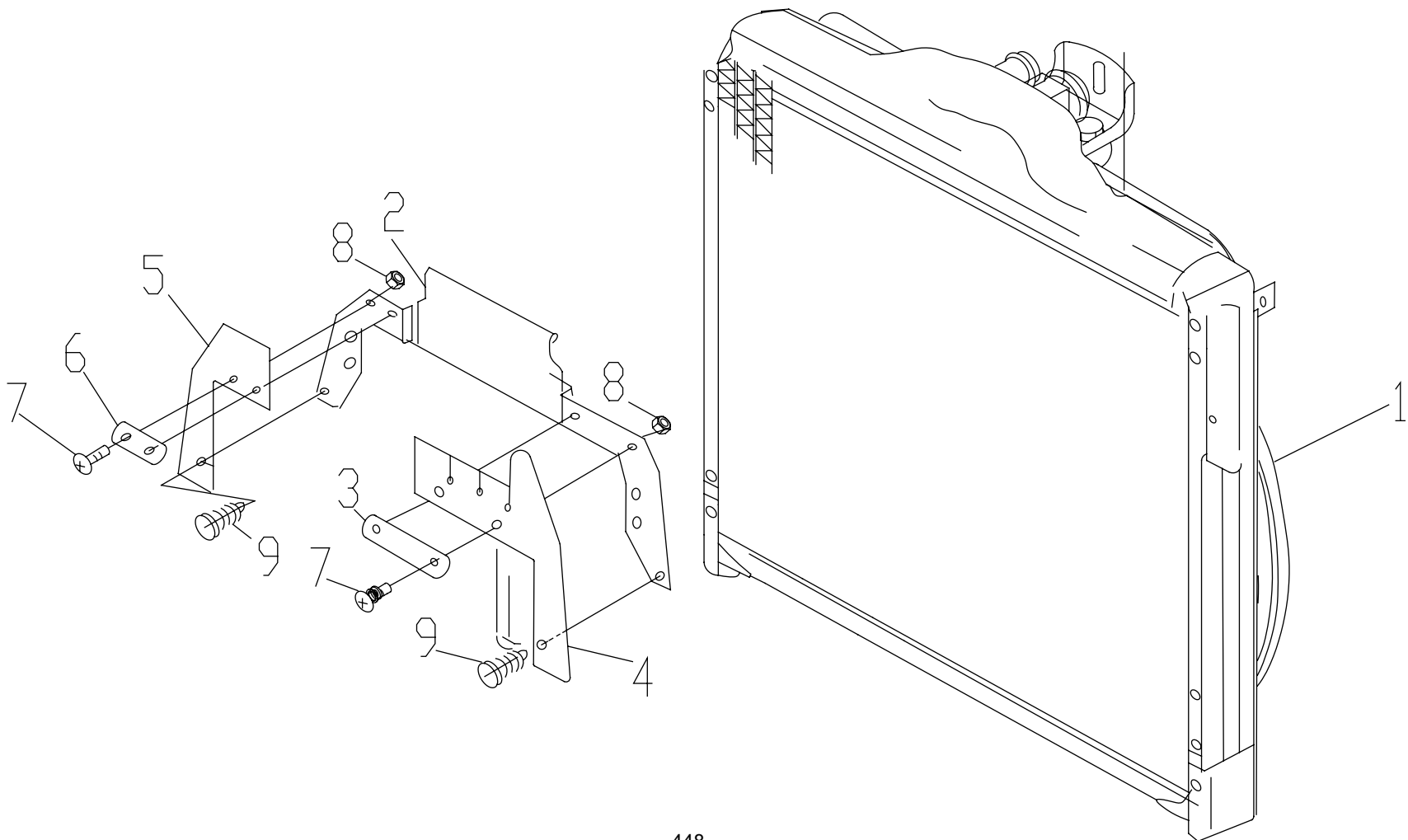
13

**冷却系统**

***COOLING SYSTEM***

## 散热器和挡板组图 / RADIATOR AND BAFFLE SET

13-A



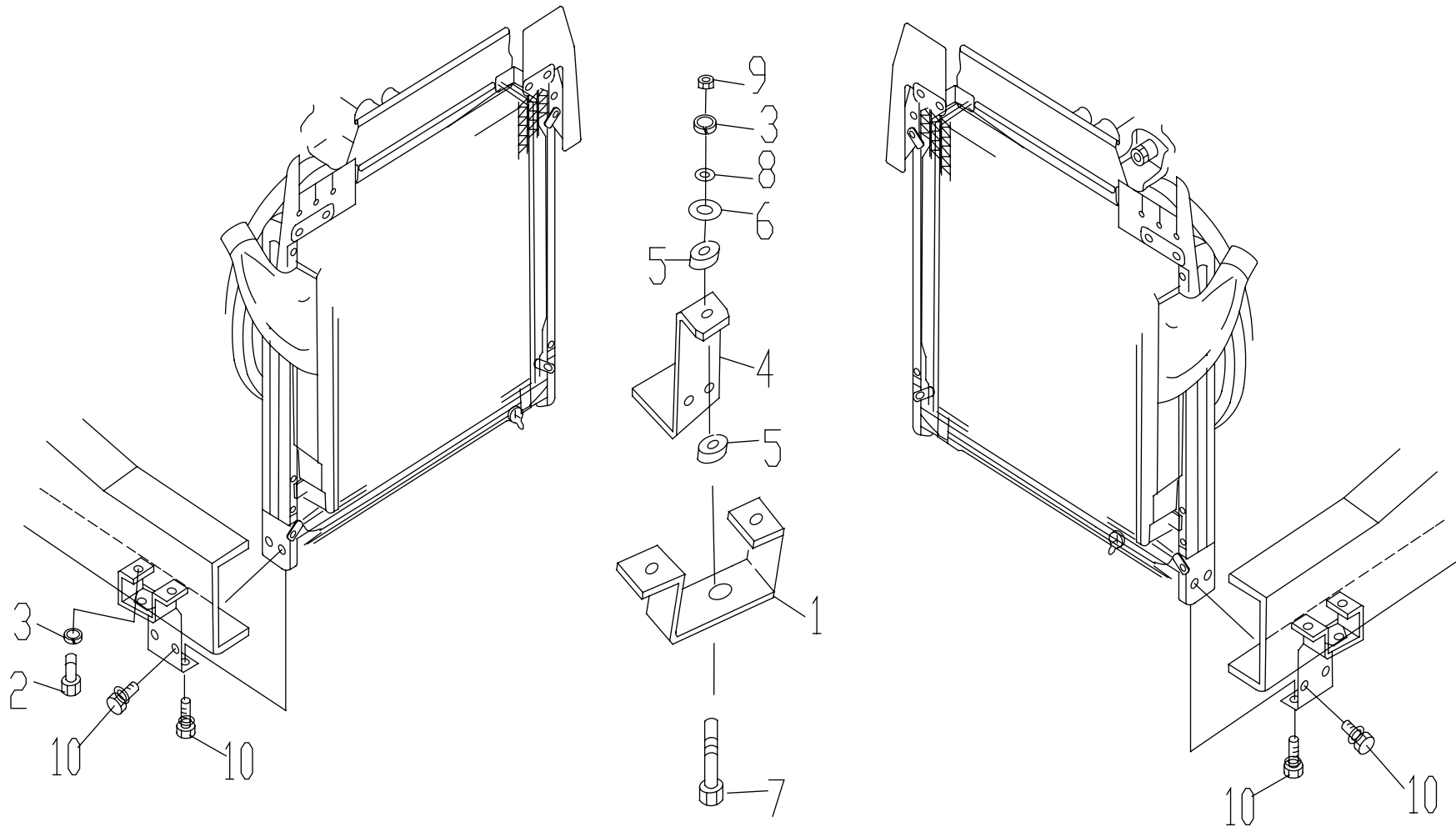
## 冷却系统 / COOLING SYSTEM

13-2

序号 No.	件号 Part No.	数量 Quantity	名称 Name	规格 Specification	适用产品 Products Applied	备注 Remark
1	1301A4D-010	1	散热器总成 Radiator Assembly		C230,C260,C300	
2	13A4D-01020	1	上挡板总成 Upper Baffle Assembly		C230,C260,C300	
3	13AD-01021	1	橡胶片 A Rubber Plate A		C230,C260,C300	
4	13AD-01022	1	橡胶片 B Rubber Plate B		C230,C260,C300	
5	13AD-01023	1	橡胶片 C Rubber Plate C		C230,C260,C300	
6	13AD-01024	1	橡胶片 D Rubber Plate D		C230,C260,C300	
7	Q2360516	4	螺钉 Screw			
8	Q340B05	4	I 型六角螺母 Hexagon Full Nut			
9	57B1-02073	2	塑料卡扣 C Plastic Buckle C			

## 散热器悬置组图 / RADIATOR MOUNTING SET

13-B





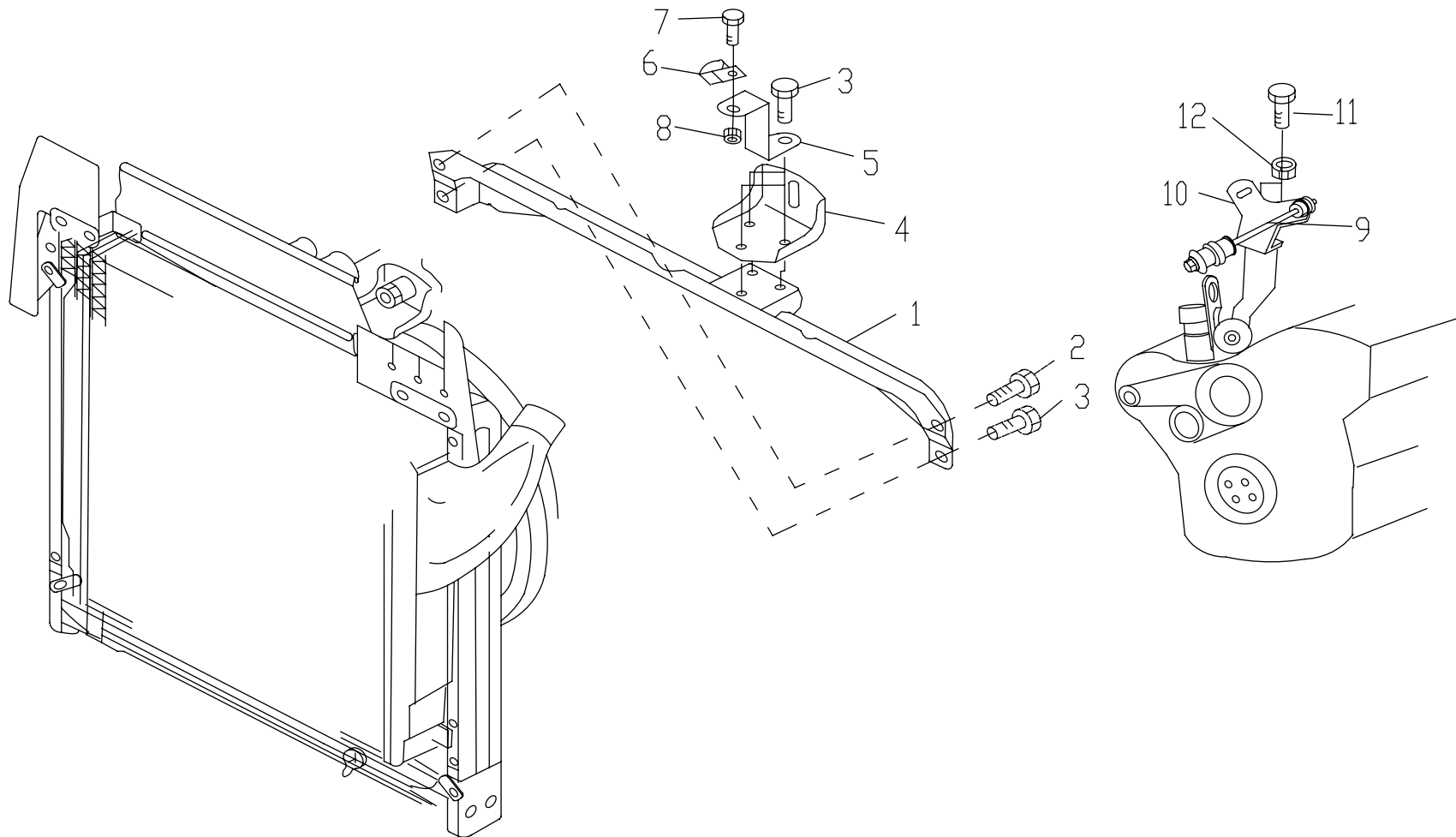
# 冷却系统 / COOLING SYSTEM

13-4

序号 No.	件号 Part No.	数量 Quantity	名称 Name	规格 Specification	适用产品 Products Applied	备注 Remark
1	13AD-02010	2	下支架总成 - 散热器悬置 Lower Bracket Assembly-Radiator Mounting		C230,C260,C300,6D24	
2	Q150B1235	4	六角头螺栓 Hexagon Head Bolt			
3	Q40312	6	弹簧垫圈 Spring Washer			
4	13A4D-02011	2	下支架 Lower Bracket		C230,C260,C300,6D24	
5	13AD-02012	4	软垫 Pad			
6	13AD-02013	2	垫片 Shim			
7	Q150B1265	2	六角头螺栓 Hexagon Head Bolt			
8	Q40212	2	大垫圈 Big Washer			
9	Q340B12	2	I型六角螺母 Hexagon Full Nut			
10	Q1461025	8	六角平弹垫组合用螺栓 Hexagon Combination Bolt With Spring And Plain Washer			

## 散热器支撑组图 / RADIATOR SUPPORT SET

13-C



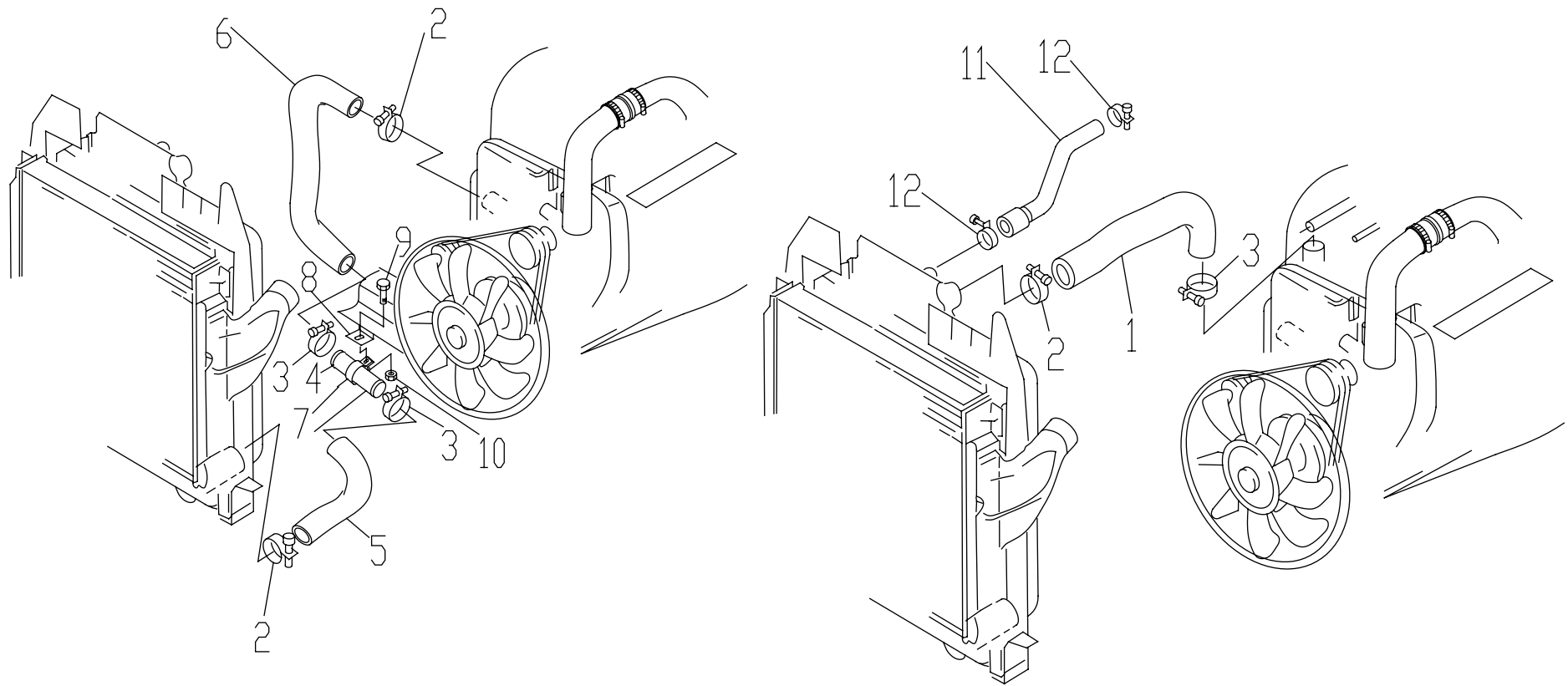
## 冷却系统 / COOLING SYSTEM

13-6

序号 No.	件号 Part No.	数量 Quantity	名称 Name	规格 Specification	适用产品 Products Applied	备注 Remark
1	13AD-02015	1	上支架总成 - 散热器悬置 Upper Bracket Assembly-Radiator Mounting		C230,C260,C300	
2	Q1460825	2	六角头螺栓 Hexagon Head Bolt			
3	Q1460820	5	六角头螺栓 Hexagon Head Bolt			
4	13AD-02016	1	上支架 A Upper Bracket A		C230,C260,C300	
5	13A4D-02018	1	管夹支架 Tube Clamp Bracket			
6	Q68614	1	单管夹片 Single Tube Clamp Plate			
7	Q150B0612	1	六角头螺栓 Hexagon Head Bolt			
8	Q32006	1	六角法兰面螺母 Hexagon Nut With Flange			
9	13A4D-02020	1	上拉杆总成 - 散热器悬置 Upper Pull Rod Assembly-Radiator Mounting		C230,C260,C300	
10	13A4D-02023	1	支架 Bracket		C230,C260,C300	
11	Q150B1030	2	六角头螺栓 Hexagon Head Bolt			
12	Q32210	2	锁紧螺母 Lock Nut			

## 冷却水管组图 / COOLING WATER PIPE SET

13-D



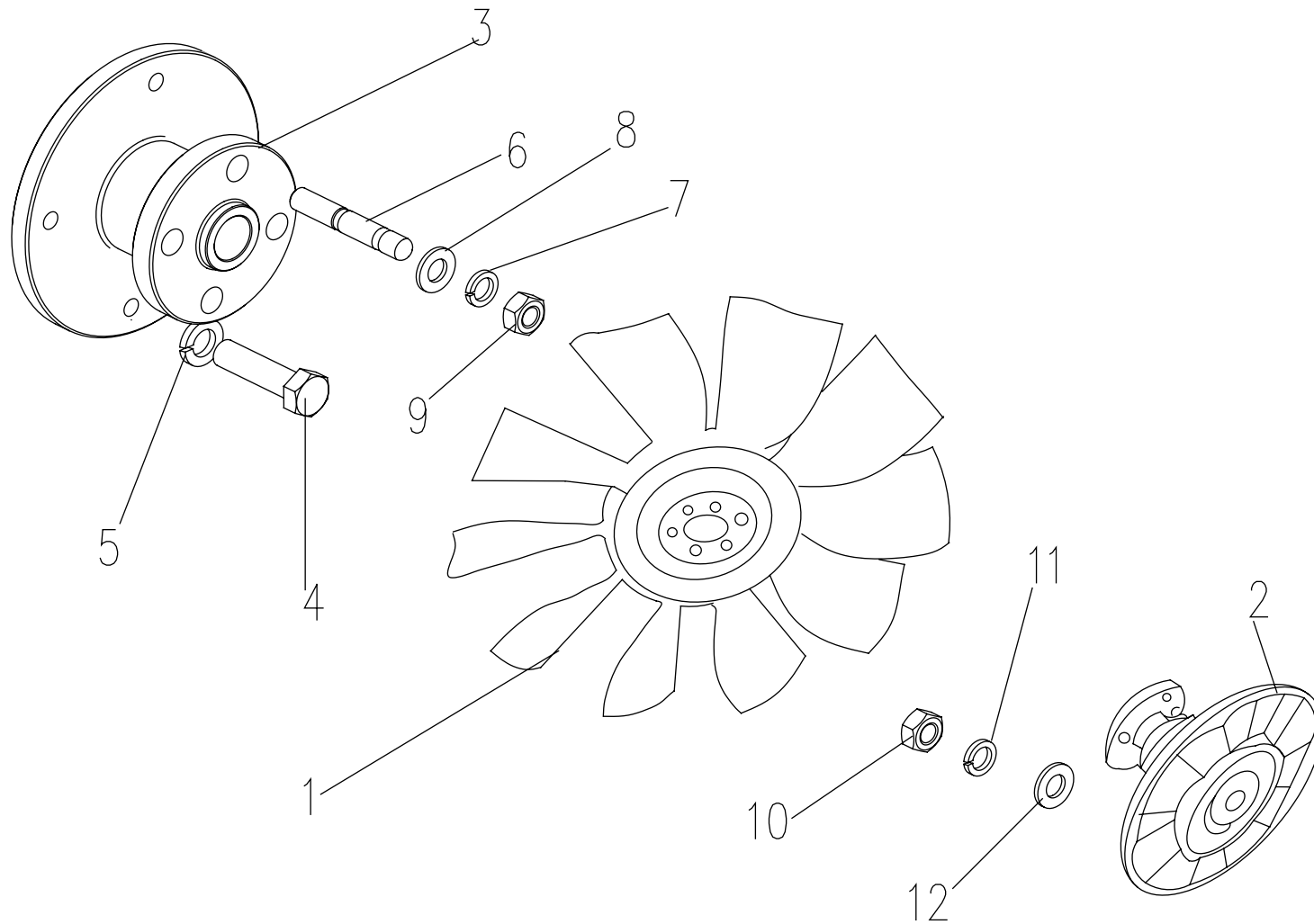
## 冷却系统 / COOLING SYSTEM

13-8

序号 No.	件号 Part No.	数量 Quantity	名称 Name	规格 Specification	适用产品 Products Applied	备注 Remark
1	13A4D-03011	1	散热器进水管 Radiator Inlet Pipe		C230,C260,C300	
2	Q67580	3	A型蜗杆传动式软管环箍 A Type Worm Transmission Hose Snap Ring			
3	Q67570	3	A型蜗杆传动式软管环箍 A Type Worm Transmission Hose Snap Ring			
4	13A4D-03012	1	散热器出水钢管 Radiator Outlet Steel Tube		C230,C260,C300	
5	13A4D-03013	1	胶管 A- 散热器至钢管 Rubber Tube A-Radiator To Steel Tube			
6	13A4D-03014	1	胶管 B- 钢管至发动机 Rubber Tube B-Steel Tube To Engine			
7	13A4D-03016	1	水管支架 Water Pipe Bracket		C230,C260,C300	
8	13A4D-03017	1	支架 Bracket		C230,C260,C300	
9	Q1840820	1	六角头螺栓 Hexagon Head Bolt			
10	Q32008	1	六角法兰面螺母 Hexagon Nut With Flange			
11	13A4D-11011	1	胶管 A Rubber Tube A		C230,C260,C300	
12	Q67550	2	A型蜗杆传动式软管环箍 A Type Worm Transmission Hose Snap Ring			

## 冷却风扇组图 / COOLING FAN SET

13-E



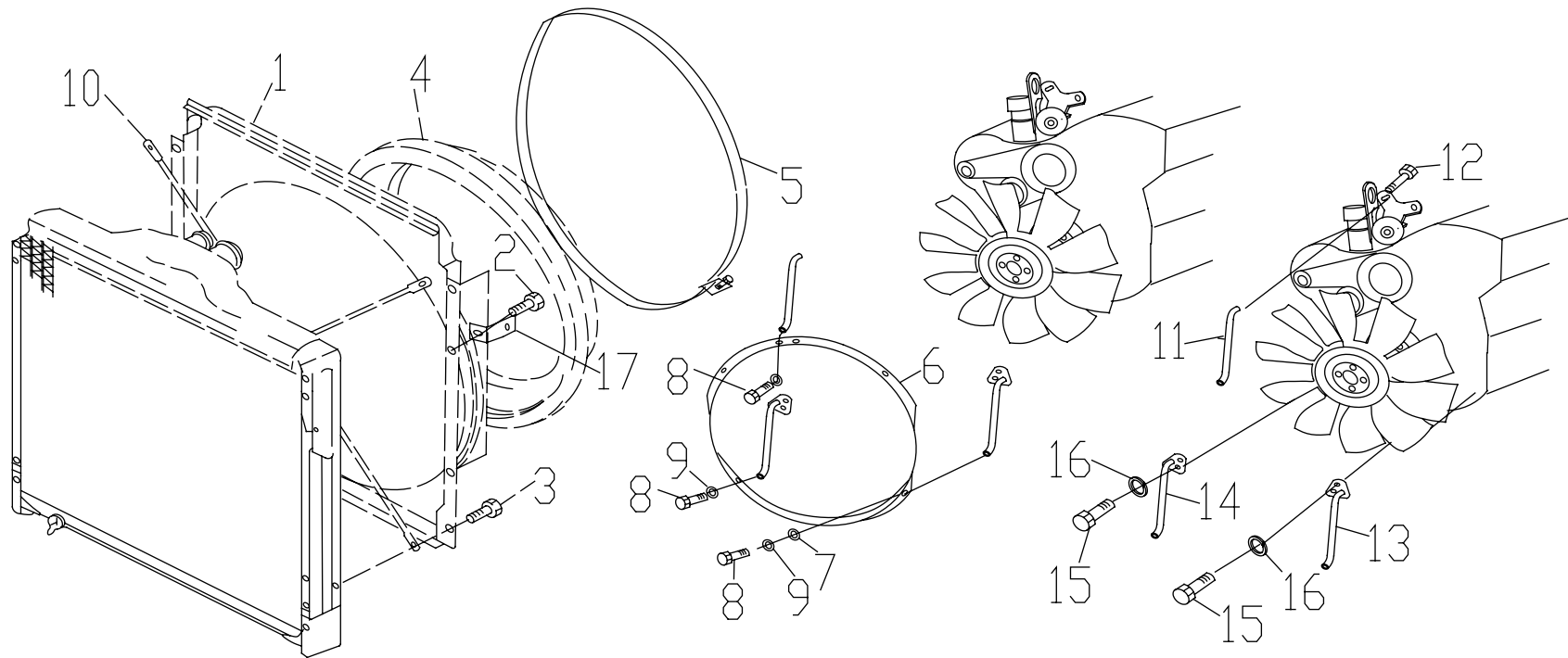
冷却系统 / COOLING SYSTEM

13-10

序号 No.	件号 Part No.	数量 Quantity	名称 Name	规格 Specification	适用产品 Products Applied	备注 Remark
1	1308A4D-010	1	风扇总成 Fan Assembly		C230,C260,C300	
2	1313A4D-010	1	风扇离合器总成 Fan Clutch Assembly		C230,C260,C300	
3	13A4D-08011	1	风扇连接法兰 Fan Connecting Flange		C230,C260,C300	
4	Q150B1235	4	六角头螺栓 Hexagon Head Bolt			
5	Q40312	4	弹簧垫圈 Spring Washer			
6	Q1241025( 螺纹紧固胶 Threaded Tighten Glue)	4	双头螺柱 Stud Bolt			
7	Q40310	4	弹簧垫圈 Spring Washer			
8	Q40110	4	平垫圈 Plate Washer			
9	Q340B10	4	I 型六角螺母 Hexagon Full Nut			
10	Q340B08	6	I 型六角螺母 Hexagon Full Nut			
11	Q40308	6	弹簧垫圈 Spring Washer			
12	Q40108	6	平垫圈 Plate Washer			

## 风扇护风罩组图 / FAN SHROUD SET

13-F





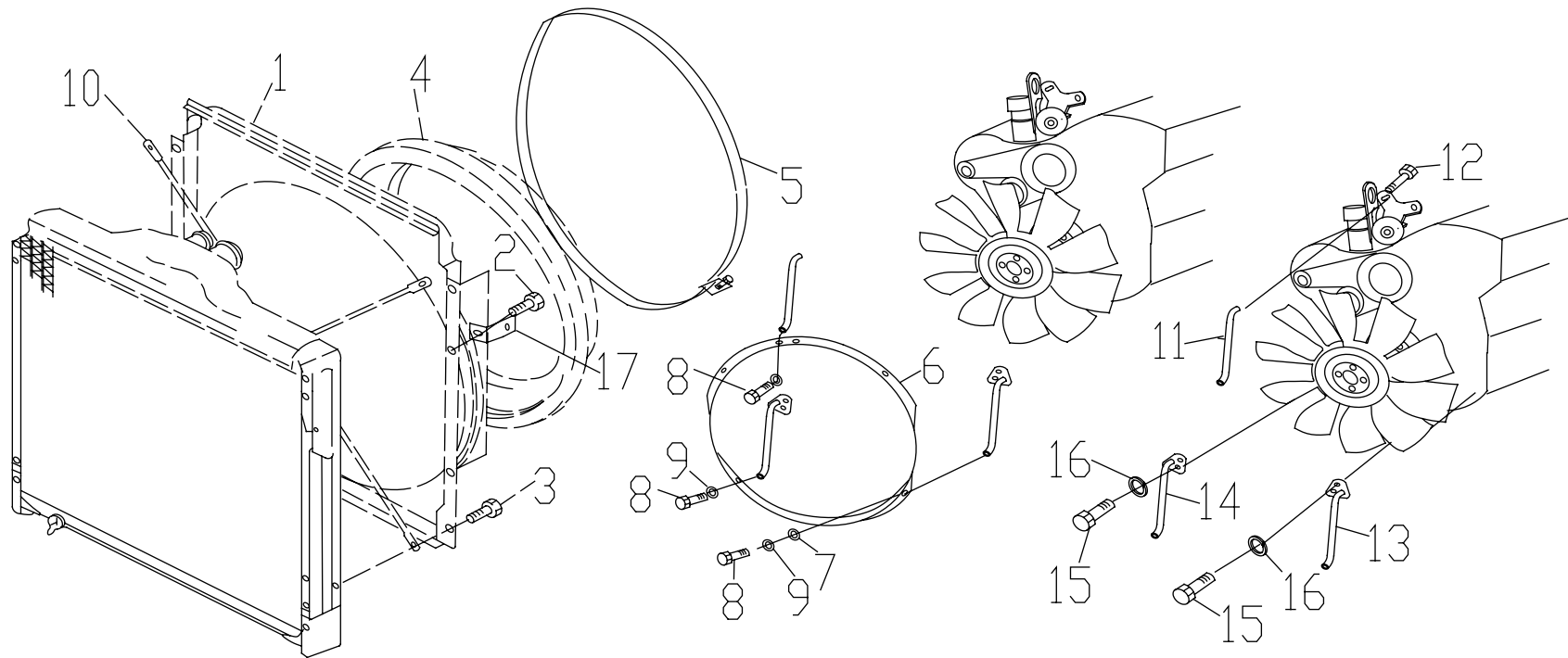
## 冷却系统 / COOLING SYSTEM

13-12

序号 No.	件号 Part No.	数量 Quantity	名称 Name	规格 Specification	适用产品 Products Applied	备注 Remark
1	1309AD-010	1	风扇护风罩总成 Fan Shroud Assembly		C230,C260,C300,6D24	
2	Q1460820	7	六角头螺栓 Hexagon Head Bolt			
3	Q1460830	2	六角头螺栓 Hexagon Head Bolt			
4	13A4D-09011	1	橡胶圈 Rubber Ring		C230,C260,C300	
5	Q675650	2	A型蜗杆传动式软管环箍 A Type Worm Transmission Hose Snap Ring			
6	13A4D-09012	1	风扇导流罩 Fan Dome		C230,C260,C300	
7	13A4D-09014	3	套管 Sleeve		C230,C260,C300	
8	Q150B1030	3	六角头螺栓 Hexagon Head Bolt			
9	Q40110	3	平垫圈 Plate Washer			
10	13AD-09016	1	十字架 Cross Rack		C230,C260,C300,6D24	
11	13A4D-09022	1	导流罩上支架 Upper Bracket Of Dome		C230,C260,C300	
12	Q1841020	1	六角法兰面螺栓 Hexagon Bolt With Flange			
13	13A4D-09025	1	导流罩左支架总成 Dome Left Bracket Assembly		C230,C260,C300	

## 风扇护风罩组图 / FAN SHROUD SET

13-F



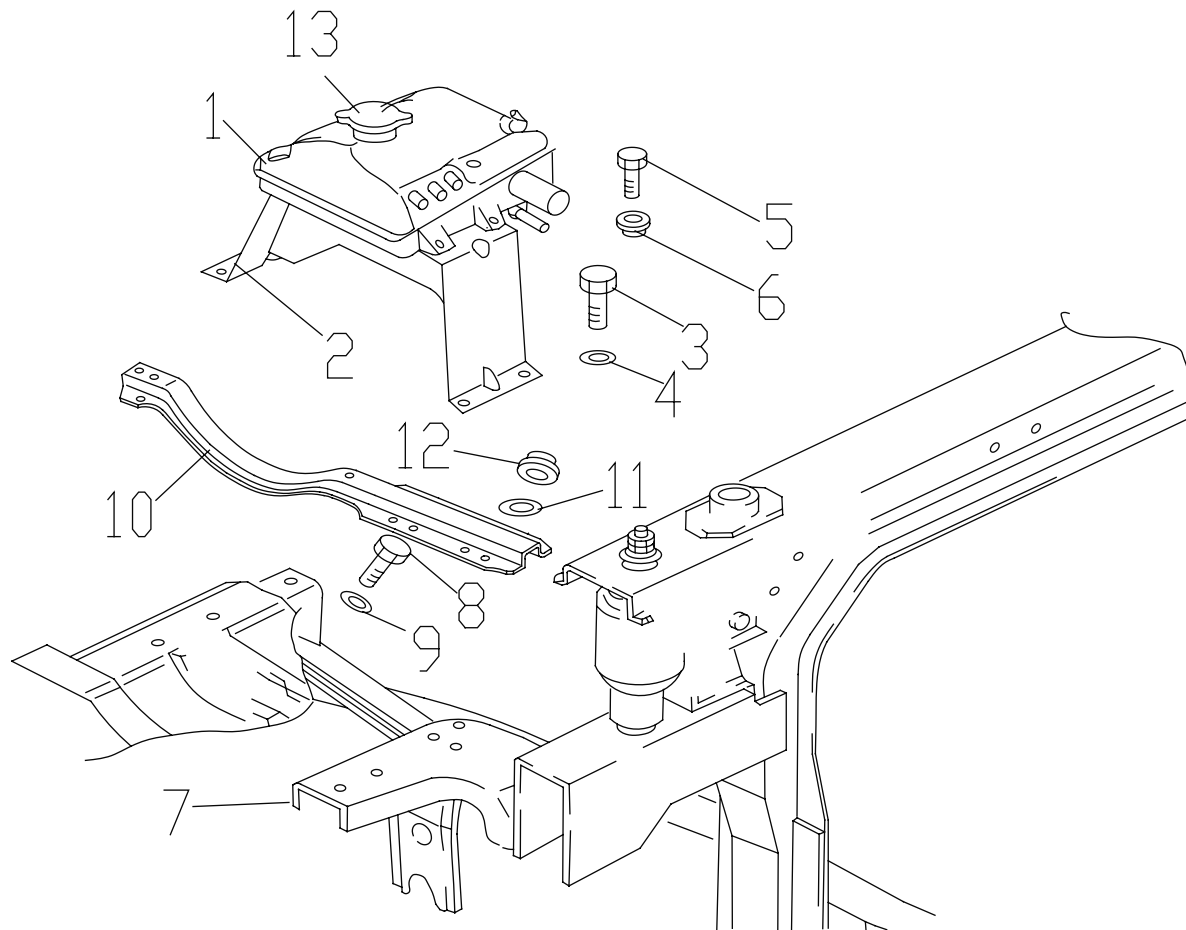
# 冷却系统 / COOLING SYSTEM

13-14

序号 No.	件号 Part No.	数量 Quantity	名称 Name	规格 Specification	适用产品 Products Applied	备注 Remark
14	13A4D-09030	1	导流罩右支架总成 Dome Right Bracket Assembly		C230,C260,C300	
15	Q150B1235	4	六角头螺栓 Hexagon Head Bolt			
16	Q40312	4	弹簧垫圈 Spring Washer			
17	11A4D-08051	1	管夹支架 I Tube Clamp Bracket I		C230,C260,C300	

## 冷却液膨胀箱组图 / COOLANT EXPANSION TANK SET

13-G



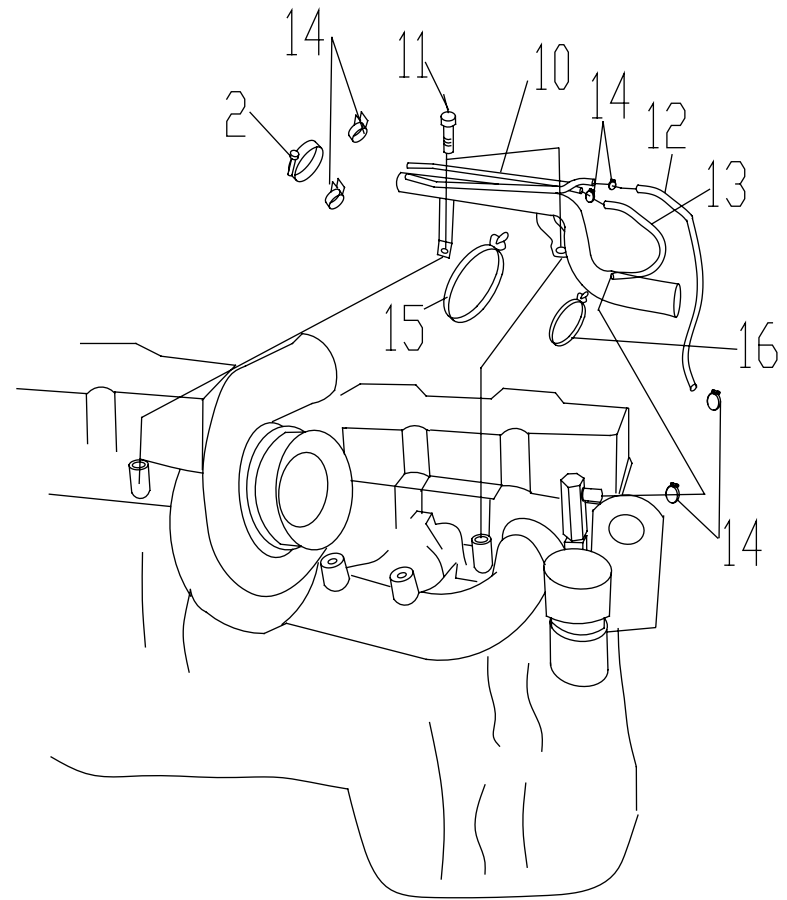
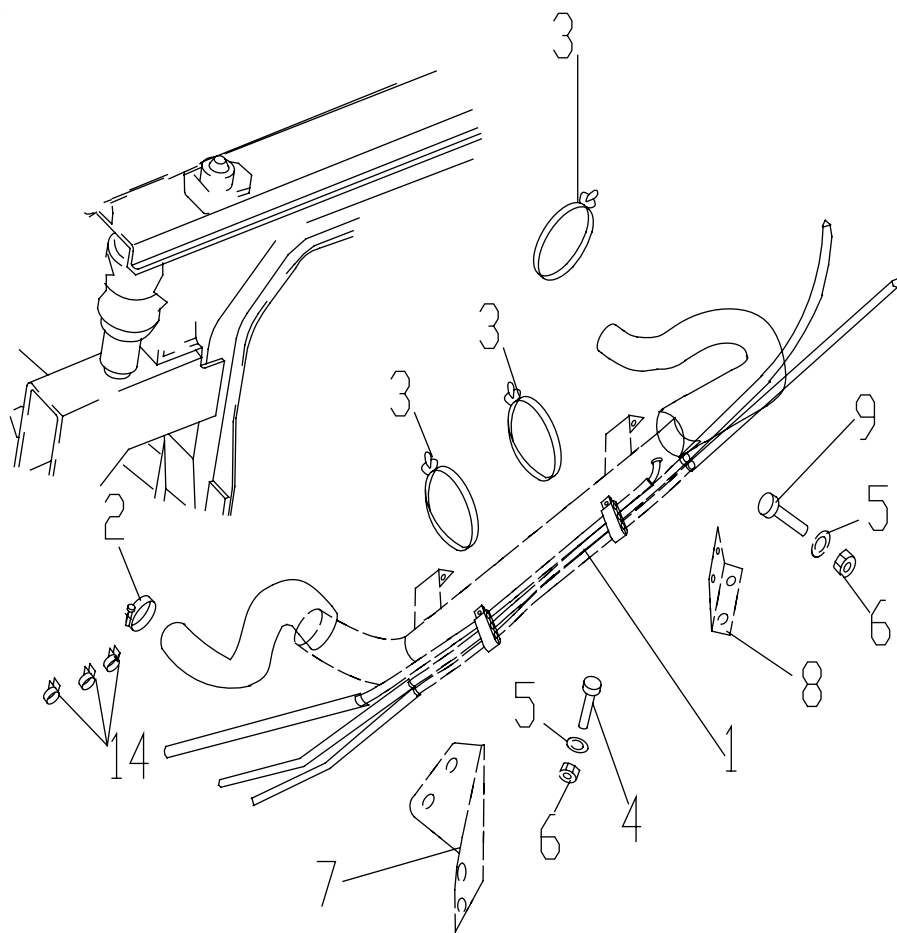
## 冷却系统 / COOLING SYSTEM

13-16

序号 No.	件号 Part No.	数量 Quantity	名称 Name	规格 Specification	适用产品 Products Applied	备注 Remark
1	1311AD-010	1	膨胀箱总成 Expansion Tank Assembly			
2	13AD-11020	1	膨胀箱支架总成 Expansion Tank Bracket Assembly			
3	Q151B1225	4	六角头螺栓 Hexagon Head Bolt			
4	Q40312	4	弹簧垫圈 Spring Washer			
5	Q1460825	4	六角头螺栓 Hexagon Head Bolt			
6	Q340B08	4	I型六角螺母 Hexagon Full Nut			
7	13AD-11025	1	支架总成 A Bracket Assembly A			
8	Q151C1025	3	六角头螺栓 Hexagon Head Bolt			
9	Q40310	3	弹簧垫圈 Spring Washer			
10	11AD-09030	1	支架总成 B Bracket Assembly B			
11	Q40310	4	弹簧垫圈 Spring Washer			
12	Q340B10	4	I型六角螺母 Hexagon Full Nut			
13	13AD-011050	1	压力盖总成 Pressure Cover Assembly		C230,C260,C300	

## 过渡水管组图 / TRANSITION WATER PIPE SET

13-H



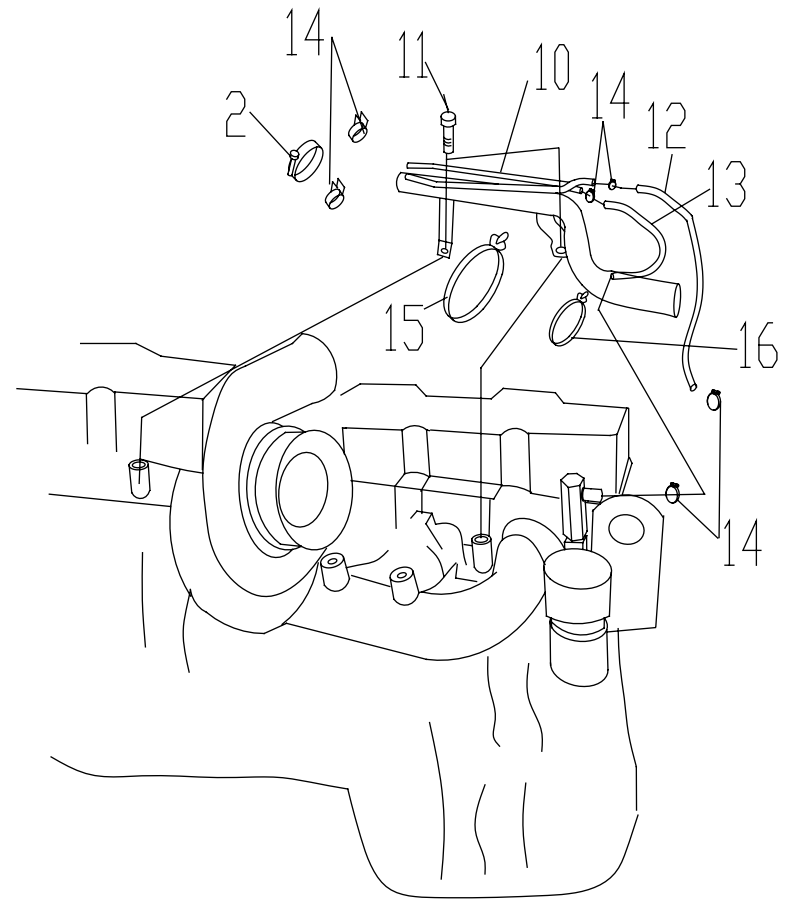
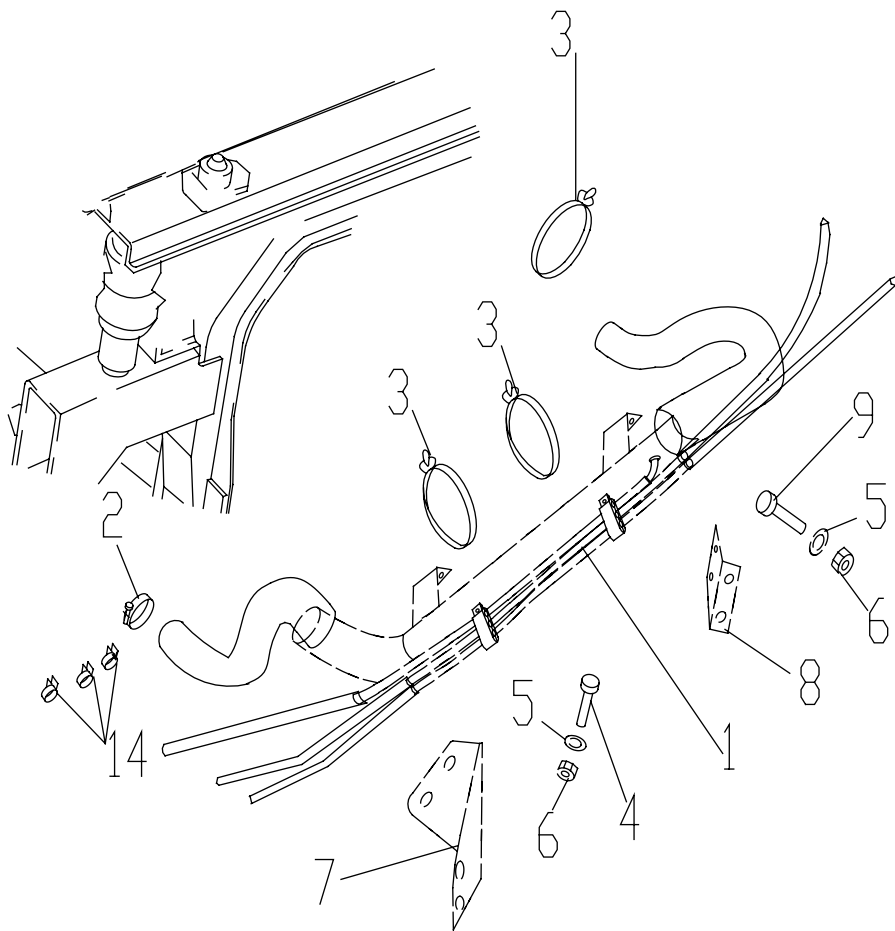
## 冷却系统 / COOLING SYSTEM

13-18

序号 No.	件号 Part No.	数量 Quantity	名称 Name	规格 Specification	适用产品 Products Applied	备注 Remark
1	13A4D-11040	1	连接管总成 B Connecting Pipe Assembly B			
2	Q67545	2	A 型蜗杆传动式软管环箍 A Type Worm Transmission Hose Snap Ring			
3	Q67407250	3	塑料紧箍带 Plastic Band			
4	Q150B0816	4	六角头螺栓 Hexagon Head Bolt			
5	Q40308	8	弹簧垫圈 Spring Washer			
6	Q340B08	8	I 型六角螺母 Hexagon Full Nut			
7	13AD-11041	1	左支架 - 连接管总成 B Bracket LH-Connecting Pipe Assembly B			
8	13AD-11042	1	右支架 - 连接管总成 B Bracket RH-Connecting Pipe Assembly B			
9	Q150B0820	4	六角头螺栓 Hexagon Head Bolt			
10	13A4D-11015	1	连接管总成 A Connecting Pipe Assembly A		C230,C260,C300	
11	Q1461020	2	六角头螺栓 Hexagon Head Bolt			
12	13A4D-11012	1	胶管 B Rubber Tube B		C230,C260,C300	
13	13A4D-11013	1	胶管 C Rubber Tube C		C230,C260,C300	
14	Q67520	9	A 型蜗杆传动式软管环箍 A Type Worm Transmission Hose Snap Ring			

## 过渡水管组图 / TRANSITION WATER PIPE SET

13-H





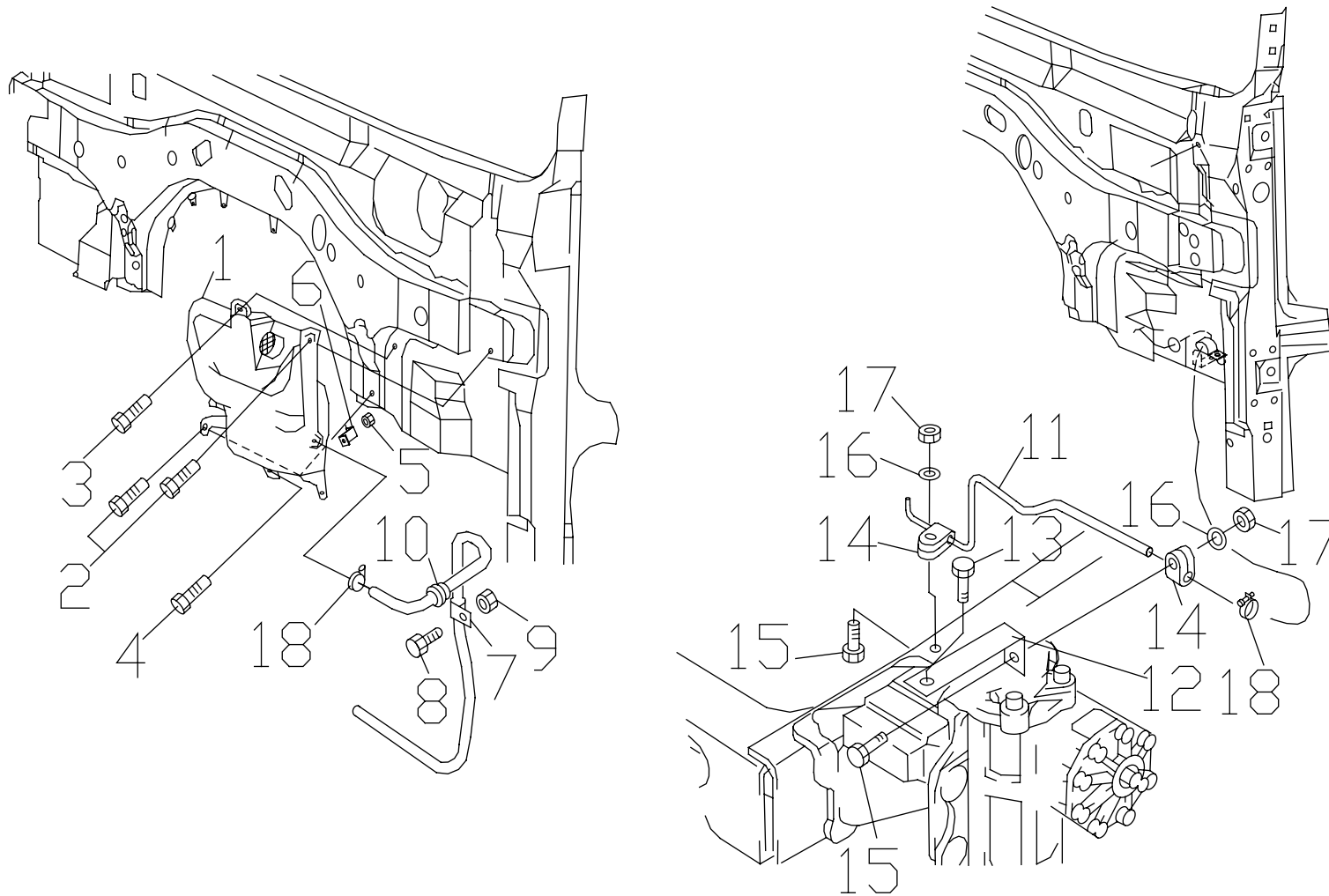
冷却系统 /COOLING SYSTEM

13-20

序号 No.	件号 Part No.	数量 Quantity	名称 Name	规格 Specification	适用产品 Products Applied	备注 Remark
15	Q67407300	1	塑料紧箍带 Plastic Band			
16	Q67407160	3	塑料紧箍带 Plastic Band			

## 副膨胀箱组图 / SUB EXPANSION TANK SET

13-1



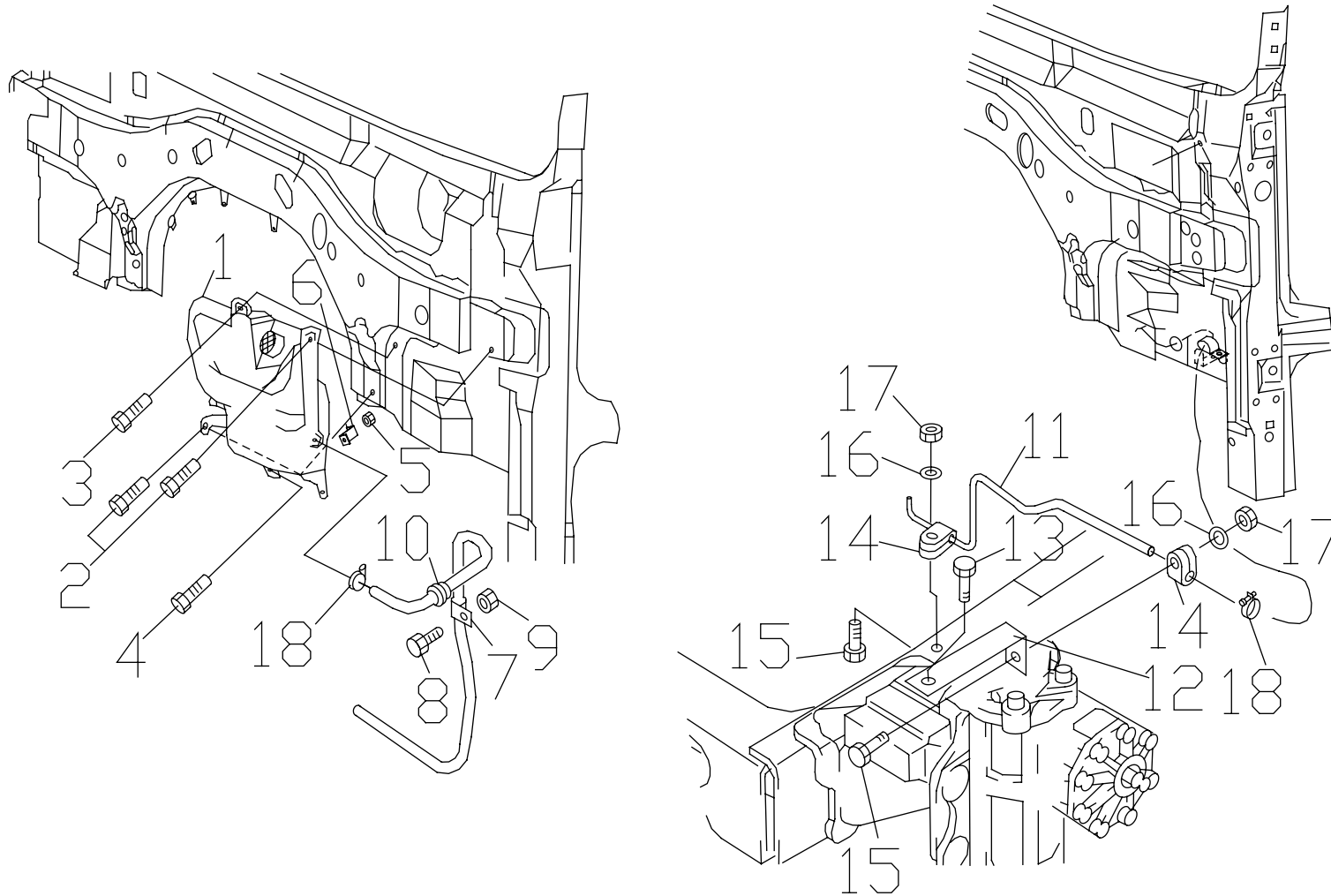
# 冷却系统 / COOLING SYSTEM

13-22

序号 No.	件号 Part No.	数量 Quantity	名称 Name	规格 Specification	适用产品 Products Applied	备注 Remark
1	13AD-11030	1	副膨胀箱总成 Sub Expansion Tank Assembly		非欧款车型 Non Europe Model	
2	Q1460825	2	六角头螺栓 Hexagon Head Bolt			
3	Q1460845	1	六角头螺栓 Hexagon Head Bolt			
4	Q1460820	1	六角头螺栓 Hexagon Head Bolt			
5	Q32008	1	六角法兰面螺母 Hexagon Nut With Flange			
6	37A-34012	1	支架 Bracket			
7	Q687142F4	1	多管夹片 Multiple-Pipe Clip Plate			
8	Q150B0612	1	六角头螺栓 Hexagon Head Bolt			
9	Q32006	1	六角法兰面螺母 Hexagon Nut With Flange			
10	35AD-06092	1	橡胶护套 Rubber Boot			
11	13AD-11031	1	钢管 Steel Pipe			
12	13AD-11033	1	钢管支架 Steel Pipe Bracket			
13	Q1840812	1	六角法兰面螺栓 Hexagon Bolt With Flange			
14	37AD-33027	2	塑料管卡 Plastic Pipe Clip			

## 副膨胀箱组图 / SUB EXPANSION TANK SET

13-1



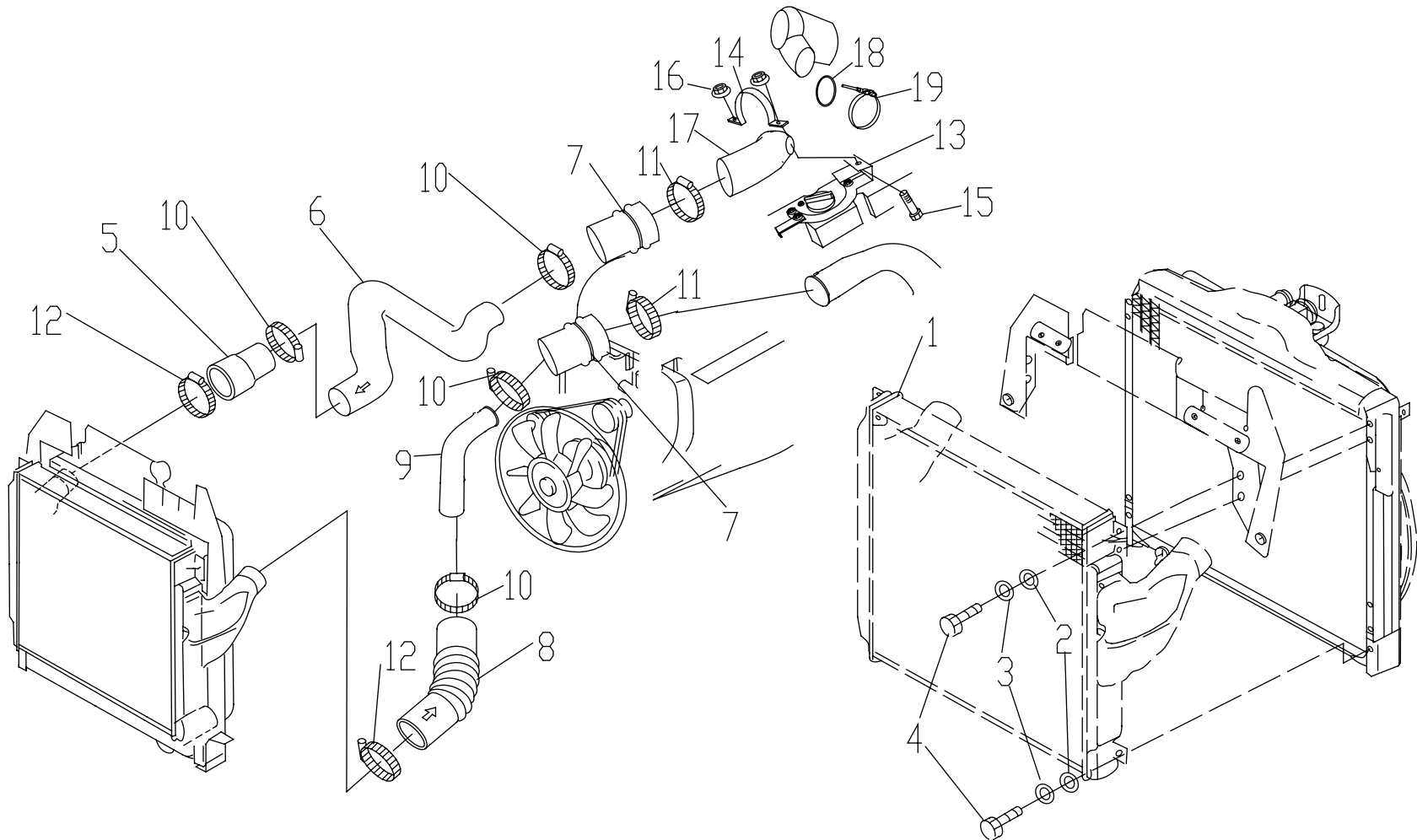
冷却系统 / COOLING SYSTEM

13-24

序号 No.	件号 Part No.	数量 Quantity	名称 Name	规格 Specification	适用产品 Products Applied	备注 Remark
15	Q150B0825	2	六角头螺栓 Hexagon Head Bolt			
16	Q40308	2	弹簧垫圈 Spring Washer			
17	Q340B08	2	I型六角螺母 Hexagon Full Nut			
18	Q67522	2	A型蜗杆传动式软管环箍 A Type Worm Transmission Hose Snap Ring			

## 增压中冷器组图 / SUPERCHARGING INTERCOOLER SET

13-J



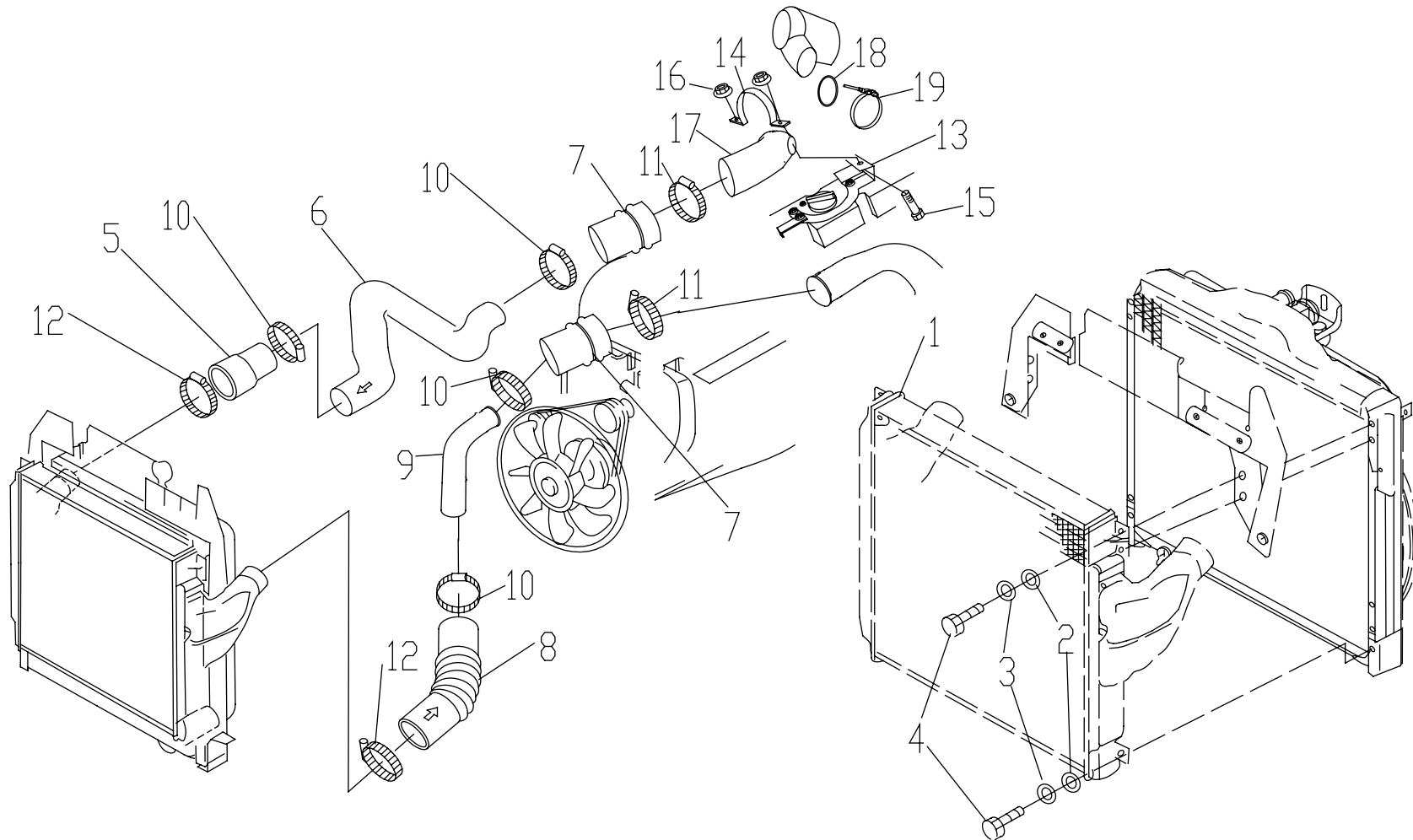
## 冷却系统 / COOLING SYSTEM

13-26

序号 No.	件号 Part No.	数量 Quantity	名称 Name	规格 Specification	适用产品 Products Applied	备注 Remark
1	1119A4D-010	1	增压中冷器总成 Supercharging Intercooler Assembly		C230,C260,C300	
2	Q40108	6	平垫圈 Plate Washer			
3	Q40308	6	弹簧垫圈 Spring Washer			
4	Q150B0830	6	六角头螺栓 Hexagon Head Bolt			
5	11A4D-19011	1	增压中冷器进气管 Supercharging Intercooler Intake Tube		C230,C260,C300	
6	11A4D-19012	1	连接钢管 Connecting Steel Tube		C230,C260,C300	
7	11A4D-19013	2	连接胶管 Connecting Rubber Tube		C230,C260,C300	
8	11A4D-19014	1	增压中冷器出气管 Supercharging Intercooler Outlet Tube		C230,C260,C300	
9	11A4D-19016	1	连接钢管 Connecting Steel Tube		C230,C260,C300	
10	11A4D-19026	4	φ 86T 型卡箍 φ 86T Type Retaining Ring		C230,C260,C300	
11	11A4D-19027	2	φ 90T 型卡箍 φ 90T Type Retaining Ring		C230,C260,C300	
12	11A4D-19028	2	φ 100T 型卡箍 φ 100T Type Retaining Ring		C230,C260,C300	
13	11A4D-19017	1	增压器出气管支架 Supercharger Outlet Tube Bracket		C230,C260,C300	
14	11A4D-19018	1	卡箍 Retaining Ring		C230,C260,C300	

## 增压中冷器组图 / SUPERCHARGING INTERCOOLER SET

13-J





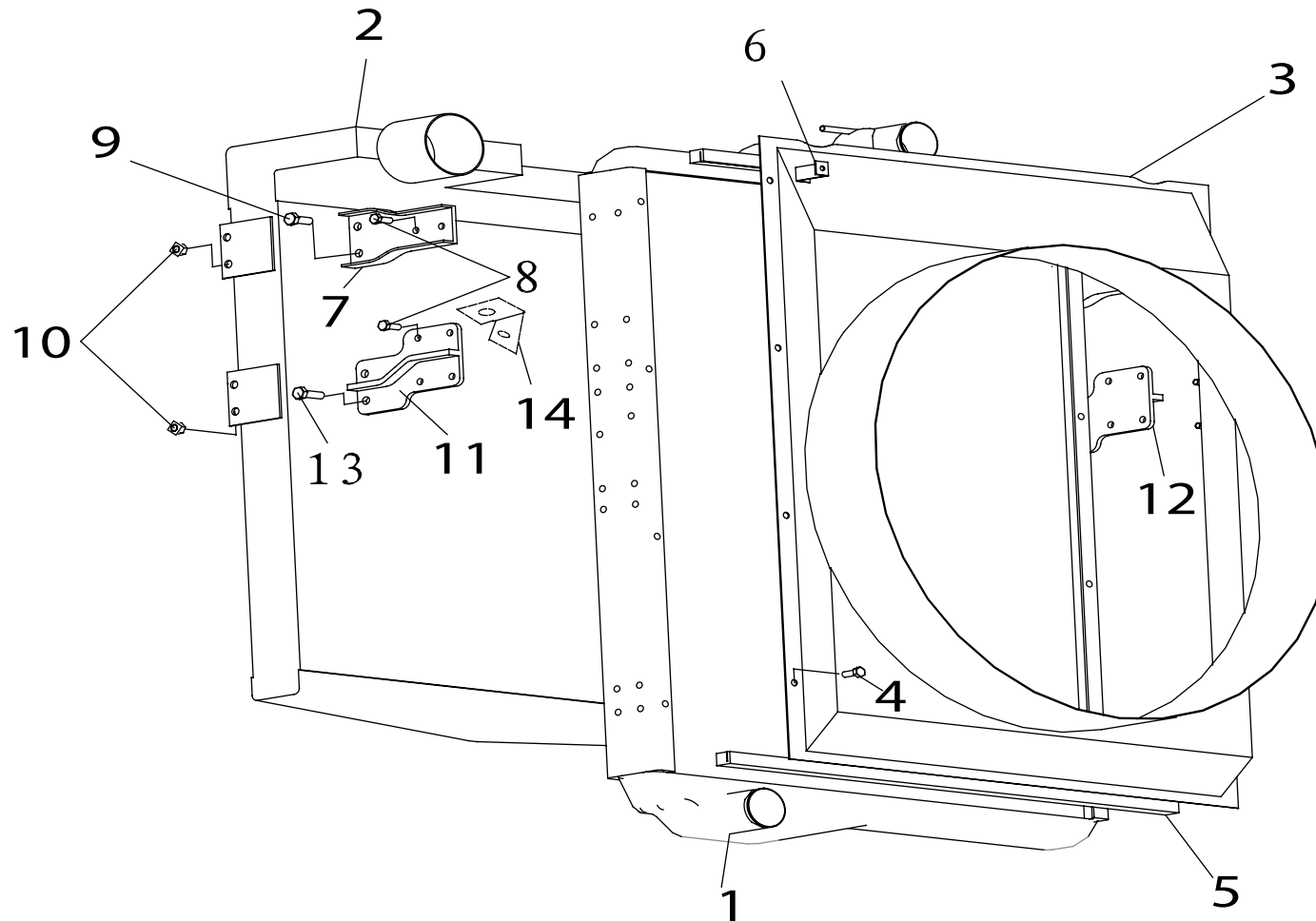
## 冷却系统 / COOLING SYSTEM

13-28

序号 No.	件号 Part No.	数量 Quantity	名称 Name	规格 Specification	适用产品 Products Applied	备注 Remark
15	Q1840820	2	六角法兰面螺栓 Hexagon Bolt With Flange			
16	Q32008	4	六角法兰面螺母 Hexagon Nut With Flange			
17	11A4D-19021	1	增压器出气管 Supercharger Outlet Tube		C230,C260,C300	
18	11A4D-19022	1	O型圈 O-Ring		C230,C260,C300	
19	11A4D-19023	1	卡箍 Retaining Ring		C230,C260,C300	

## 散热器和中冷器组图 / RADIATOR AND INTERCOOLER SET

13-K



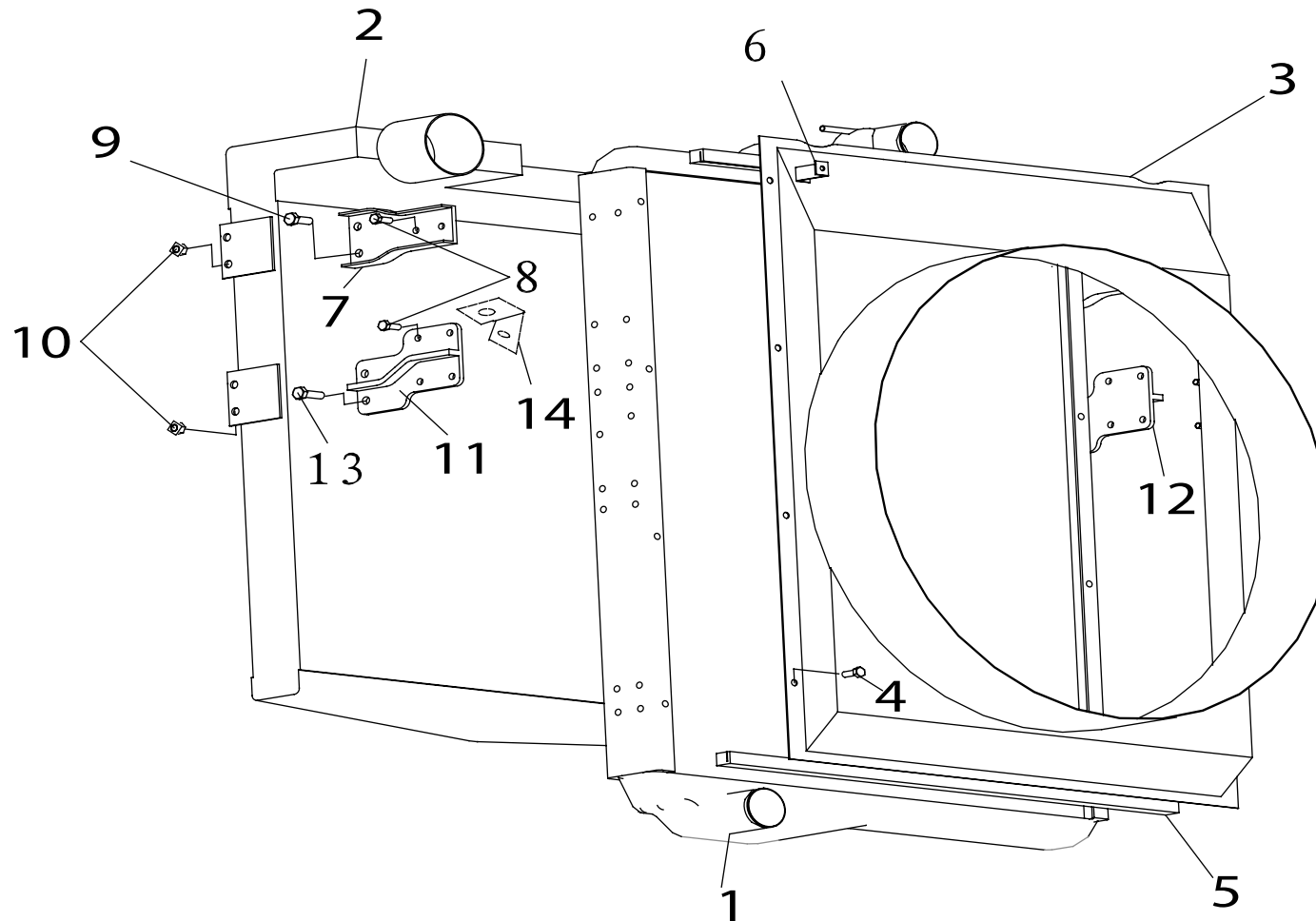
# 冷却系统 / COOLING SYSTEM

13-30

序号 No.	件号 Part No.	数量 Quantity	名称 Name	规格 Specification	适用产品 Products Applied	备注 Remark
1	1301A18D-010	1	散热器总成 Radiator Assembly		L345,L375,C9-350HP,WP10 290, WP10 336,WD12 336,WD12 375,WD615.38, P11C-UL,P11C-UJ,M11-C350E 20, ISLe350 30	
2	1119A18D-010	1	增压中冷器总成 Supercharging Intercooler Assembly		L345,L375,C9-350HP,WP10 290, WP10 336,WD12 336,WD12 375,WD615.38, P11C-UL,P11C-UJ,M11-C350E 20, ISLe350 30	
3	1309A18D-010	1	散热器护风罩总成 Radiator Shroud Assembly		L345,L375,ISLe350 30	
	1309A52D-010	1	散热器护风罩总成 Radiator Shroud Assembly		C9-530HP	
	1309A59D-010	1	散热器护风罩总成 Radiator Shroud Assembly		WP10 290	
	1309A61D-010	1	散热器护风罩总成 Radiator Shroud Assembly		WP10-336	
	1309A82D-010	1	散热器护风罩总成 Radiator Shroud Assembly		WD12 336,WD12 375	
	1309A22D-010	1	散热器护风罩总成 Radiator Shroud Assembly		M11-C350E 20,M11-C380E 20	
	1309A19D-010b	1	散热器护风罩总成 Radiator Shroud Assembly		WD 615.38	
4	Q1460820	8	六角头平弹垫组合螺栓 Hexagon Combination Bolt With Spring And Plain Washer			
5	13A18D-01012	2	散热器密封胶条 Radiator Seal Strip		L345,L375,C9-350HP,WP10 290, WP10 336,WD12 336,WD12 375,WD615.38, P11C-UL,P11C-UJ,M11-C350E 20, ISLe350 30	
6	37AD-34032	1	支架 Bracket		L345,L375,C9-350HP,WP10 290, WP10 336,WD12 336,WD12 375,WD615.38, P11C-UL,P11C-UJ,M11-C350E 20, ISLe350 30	

## 散热器和中冷器组图 / RADIATOR AND INTERCOOLER SET

13-K



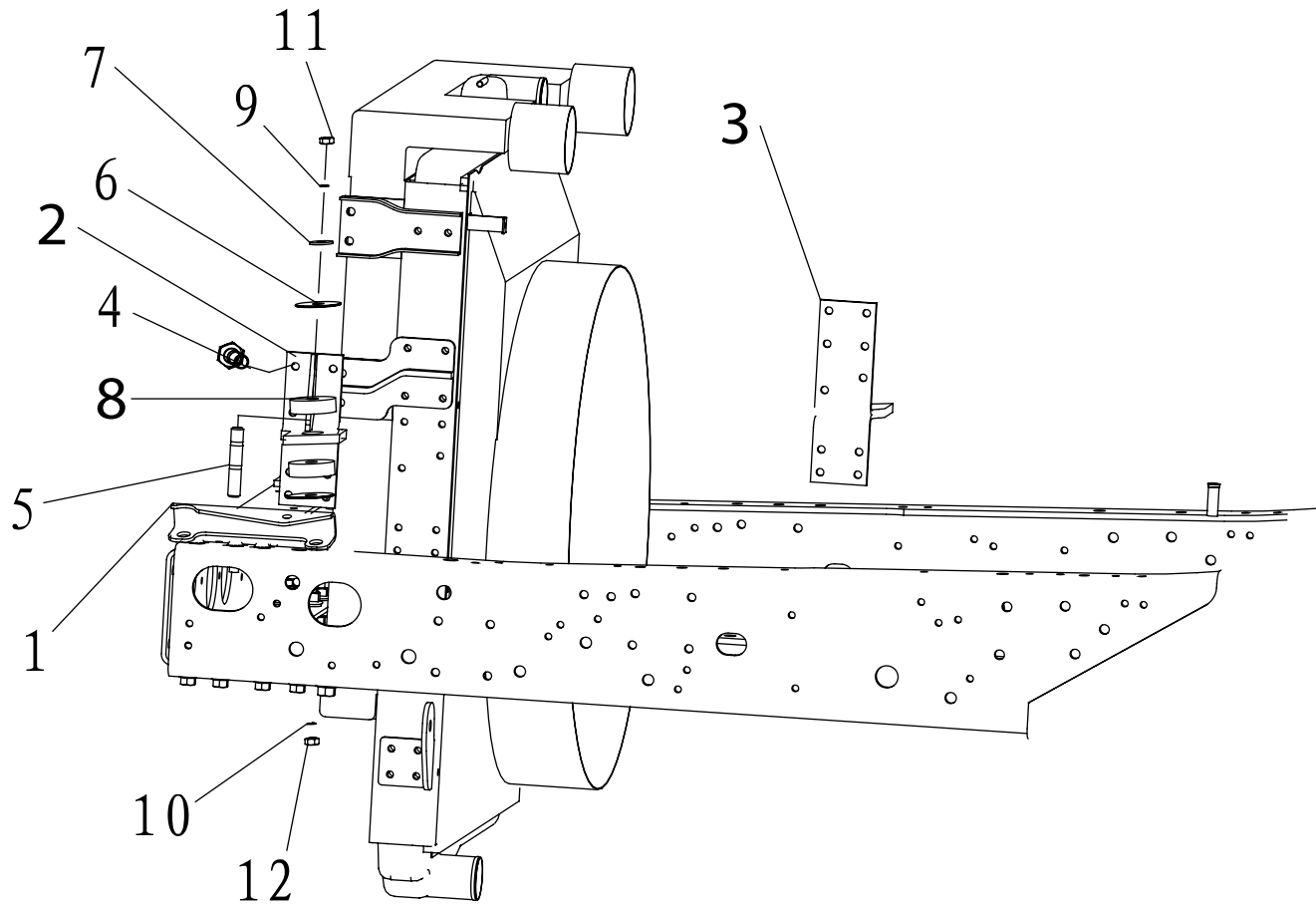
## 冷却系统 / COOLING SYSTEM

13-32

序号 No.	件号 Part No.	数量 Quantity	名称 Name	规格 Specification	适用产品 Products Applied	备注 Remark
7	11A18D-19021	2	中冷器上支架 Intercooler Upper Bracket		L345,L375,C9-350HP,WP10 290, WP10 336,WD12 336,WD12 375,WD615.38, P11C-UL,P11C-UJ,M11-C350E 20, ISLe350 30	
8	Q1460820	12	六角头平弹垫组合螺栓 Hexagon Combination Bolt With Spring And Plain Washer			
9	Q1461025	4	六角头平弹垫组合螺栓 Hexagon Combination Bolt With Spring And Plain Washer			
10	Q32010	8	六角法兰面螺母 Hexagon Nut With Flange			
11	11A18D-19022	1	中冷器左下支架 Intercooler Lower Bracket LH		L345,L375,C9-350HP,WP10 290, WP10 336,WD12 336,WD12 375,WD615.38, P11C-UL,P11C-UJ,M11-C350E 20, ISLe350 30	
12	11A18D-19023	1	中冷器右下支架 Intercooler Lower Bracket RH		L345,L375,C9-350HP,WP10 290, WP10 336,WD12 336,WD12 375,WD615.38, P11C-UL,P11C-UJ,M11-C350E 20, ISLe350 30	
13	Q1461030	4	六角头平弹垫组合螺栓 Hexagon Combination Bolt With Spring And Plain Washer			
14	11A4D-08051	1	管夹支架 I Tube Clamp Bracket I			

## 散热器支撑组图 / RADIATOR SUPPORT SET

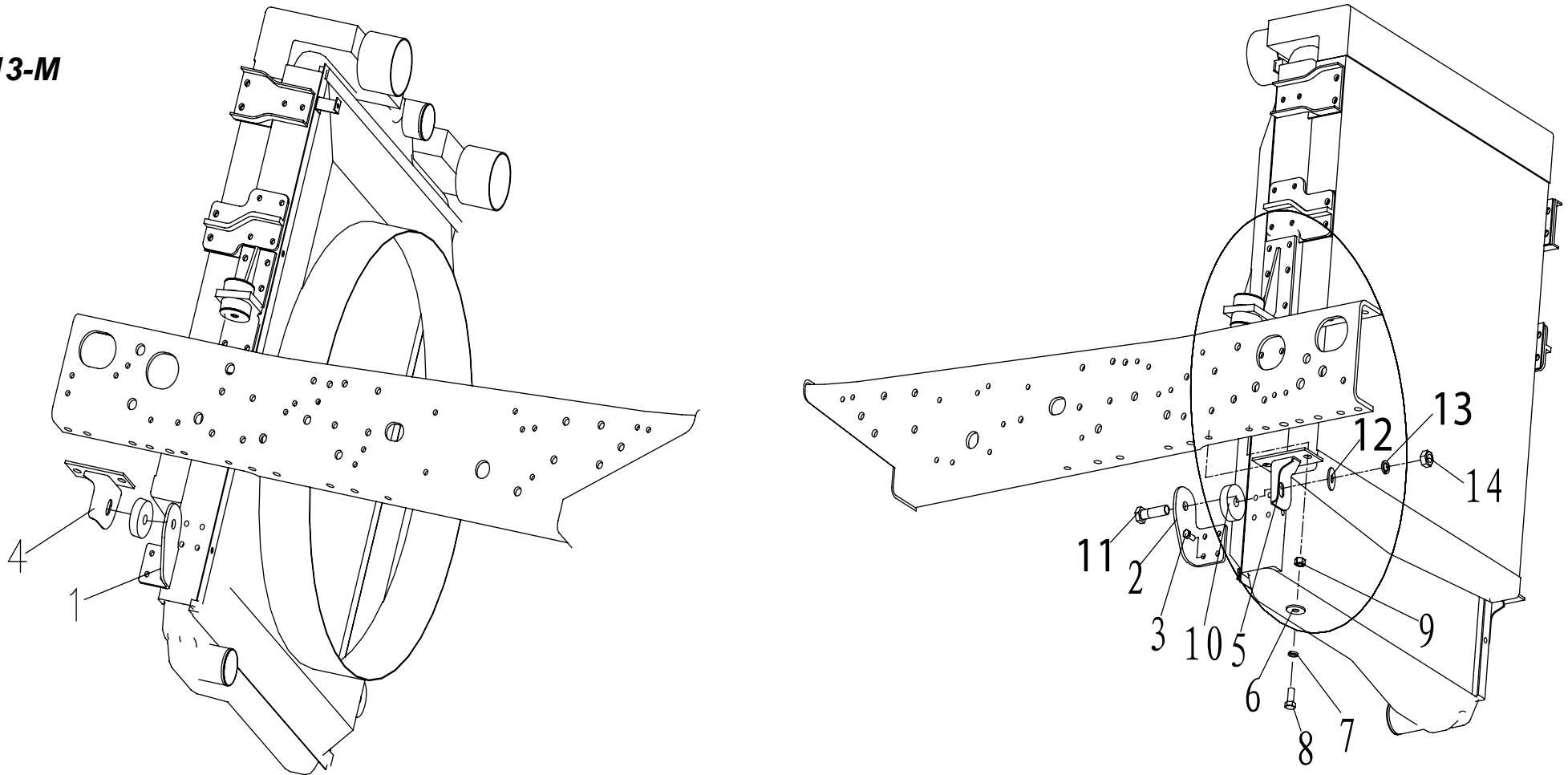
13-L



序号 No.	件号 Part No.	数量 Quantity	名称 Name	规格 Specification	适用产品 Products Applied	备注 Remark
1	13A5D-02011	1	散热器过渡支架 Radiator Transition Bracket		L345,L375,C9-350HP,WP10 290, WP10 336,WD12 336,WD12 375,WD615.38, P11C-UL,P11C-UJ,M11-C350E 20, ISLe340,ISLe350	
2	13A18D-02012	1	散热器左支架 Radiator Bracket LH		L345,L375,C9-350HP,WP10 290, WP10 336,WD12 336,WD12 375,WD615.38, P11C-UL,P11C-UJ,M11-C350E 20, ISLe340,ISLe350	
3	13A18D-02013	1	散热器右支架 Radiator Bracket RH		L345,L375,C9-350HP,WP10 290, WP10 336,WD12 336,WD12 375,WD615.38, P11C-UL,P11C-UJ,M11-C350E 20, ISLe340,ISLe350	
4	Q1460820	18	六角头平弹垫组合螺栓 Hexagon Combination Bolt With Spring And Plain Washer			
5	13A5D-02013	2	双头螺杆 Stud Bolt		L345,L375,C9-350HP,WP10 290, WP10 336,WD12 336,WD12 375,WD615.38, P11C-UL,P11C-UJ,M11-C350E 20, ISLe340,ISLe350	
6	13AD-02013	4	垫片 Shim			
7	Q40212	2	大垫圈 Big Washer			
8	13AD-02012	4	软垫 Pad			
9	Q40310	2	弹簧垫圈 Spring Washer			
10	Q40312	2	弹簧垫圈 Spring Washer			
11	Q340B10	2	I型六角螺母 Hexagon Full Nut			
12	Q341C12	2	I型六角螺母 Hexagon Full Nut			

## 散热器固定组图 / RADIATOR FIXING SET

13-M





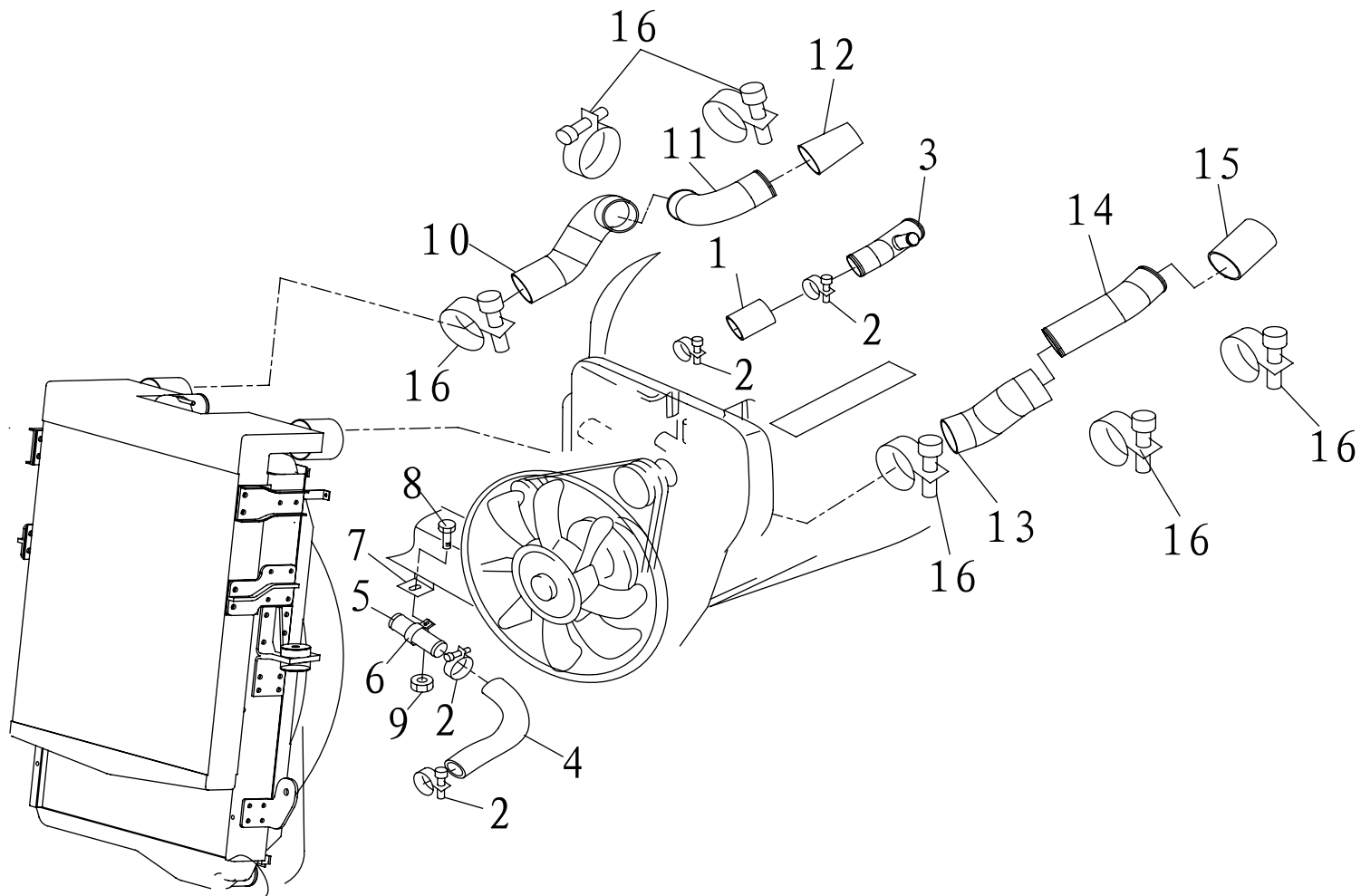
# 冷却系统 / COOLING SYSTEM

13-36

序号 No.	件号 Part No.	数量 Quantity	名称 Name	规格 Specification	适用产品 Products Applied	备注 Remark
1	13A18D-02031	1	散热器左下支架 Radiator Lower Bracket LH			
2	13A18D-02032	1	散热器右下支架 Radiator Lower Bracket RH			
3	Q1460820	8	六角头平弹垫组合螺栓 Hexagon Combination Bolt With Spring And Plain Washer			
4	13A18D-02020	1	散热器左下连接支架 Radiator Lower Connecting Bracket LH			
5	13A18D-02025	1	散热器右下连接支架 Radiator Lower Connecting Bracket RH			
6	Q40212	4	大垫圈 Big Washer			
7	Q40312	4	弹簧垫圈 Spring Washer			
8	Q150B1230	4	六角头螺栓 Hexagon Head Bolt			
9	Q340B12	4	I型六角螺母 Hexagon Full Nut			
10	13AD-02012	2	软垫 Pad			
11	Q150B1455	2	六角头螺栓 Hexagon Head Bolt			
12	Q40114	2	平垫圈 Plate Washer			
13	Q40314	2	弹簧垫圈 Spring Washer			
14	Q340B14	2	I型六角螺母 Hexagon Full Nut			

## 冷却水气管路组图 / COOLING WATER AND AIR PIPELINE SET

13-N



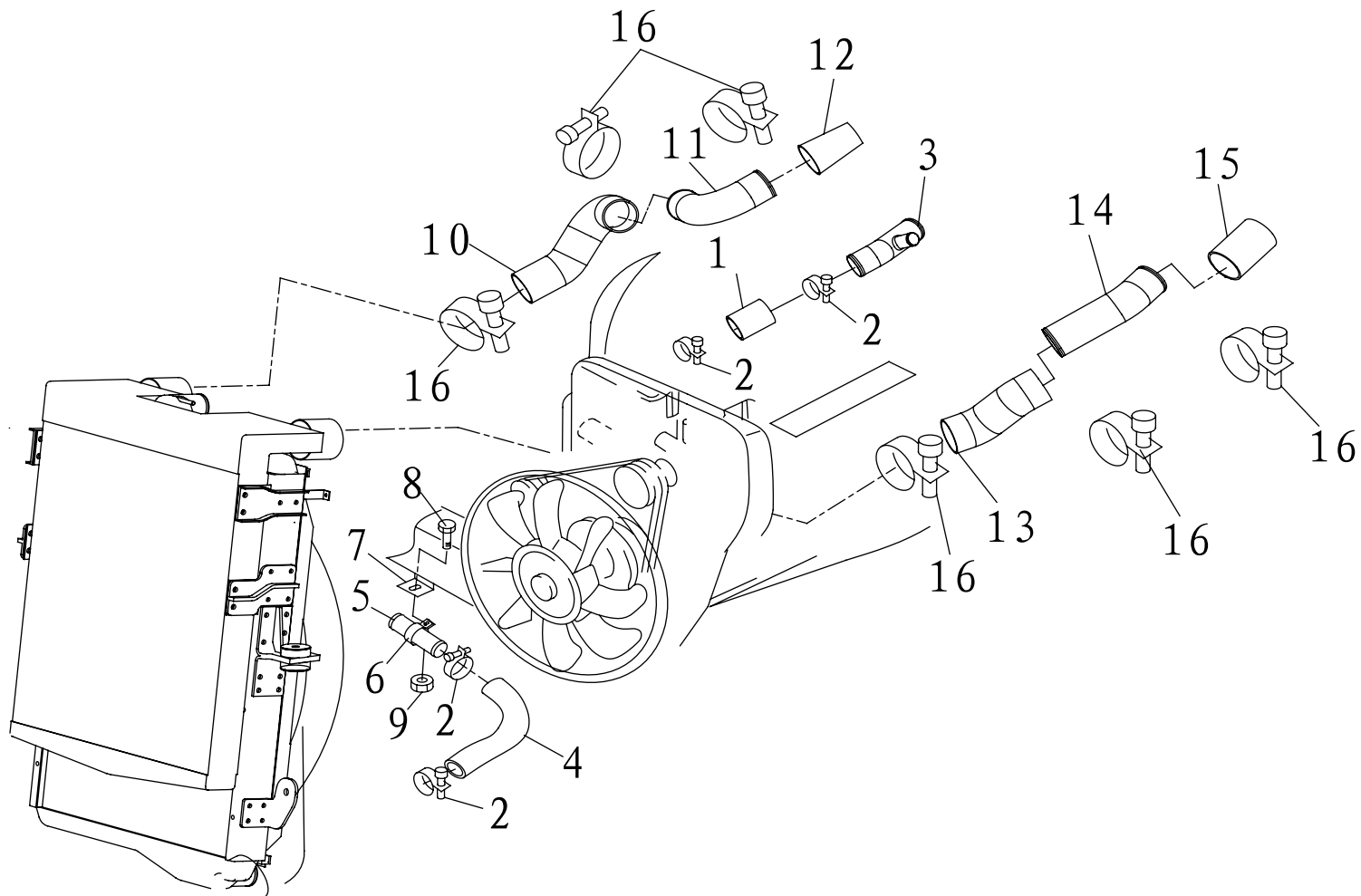
## 冷却系统 / COOLING SYSTEM

13-38

序号 No.	件号 Part No.	数量 Quantity	名称 Name	规格 Specification	适用产品 Products Applied	备注 Remark
1	13A18D-03011	1	散热器进水管 Radiator Water Inlet Pipe		M11-C350E 20,M11-C380E 20 L345,L375,ISLe340 30,ISLe350 30	
	13A52D-03011	1	散热器进水管 Radiator Water Inlet Pipe		C9-350HP	
2	Q67580	4	A型蜗杆传动式软管环箍 A Type Worm Transmission Hose Snap Ring			
3	13A18D-03012	1	散热器进水过渡钢管 Radiator Water Inlet Transition Steel Tube		M11-C350E 20,M11-C380E 20 L345,L375,ISLe340 30,ISLe350 30	
4	13A18D-03014	1	散热器出水管 Radiator Water Outlet Pipe		L345,L375,ISLe340 30,ISLe350 30	
	13A22D-03014	1	散热器出水管 Radiator Water Outlet Pipe		M11-C350E 20,M11-C380E 20	
	13A52D-03013	1	散热器出水管 Radiator Water Outlet Pipe		C9-350HP	
5	13A4D-03012	1	散热器出水钢管 Radiator Water Outlet Steel Tube			
6	13A4D-03016	1	水管支架 Pipe Bracket			
7	13A4D-03017	1	支架 Bracket			
8	Q1840820	1	六角头螺栓 Hexagon Head Bolt			
9	Q32008	1	六角法兰面螺母 Hexagon Nut With Flange			
10	11A18D-19011	1	增压中冷器进气管 Supercharging Intercooler Intake Tube		L345,L375	
	11A43D-19011	1	增压中冷器进气管 Supercharging Intercooler Intake Tube		ISLe340 30,ISLe350 30	

## 冷却水气管路组图 / COOLING WATER AND AIR PIPELINE SET

13-N



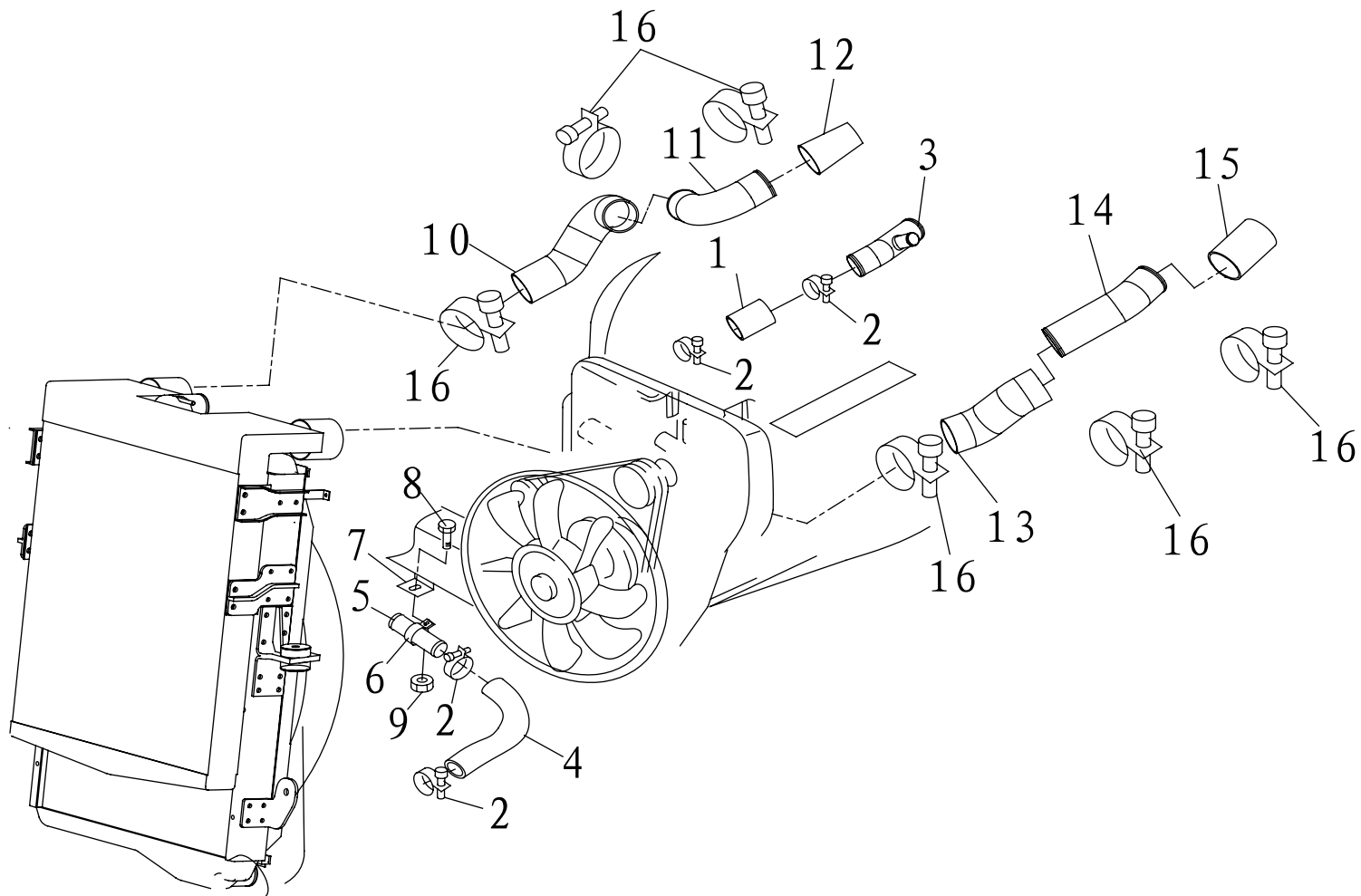
# 冷却系统 / COOLING SYSTEM

13-40

序号 No.	件号 Part No.	数量 Quantity	名称 Name	规格 Specification	适用产品 Products Applied	备注 Remark
10	11A22D-19011	1	增压中冷器进气管 Supercharging Intercooler Intake Tube		M11-C350E 20,M11-C380E 20	
	11A52D-19011	1	增压中冷器进气管 Supercharging Intercooler Intake Tube		C9-350HP	
11	11A18D-19012	1	连接钢管 Connecting Steel Tube		L345,L375	
	11A43D-19012	1	连接钢管 Connecting Steel Tube		ISLe340 30,ISLe350 30	
	11A22D-19012	1	连接钢管 Connecting Steel Tube		M11-C350E 20,M11-C380E 20	
	11A52D-19012	1	连接钢管 Connecting Steel Tube		C9-350HP	
12	11A18D-19013	1	连接钢管 Connecting Steel Tube		L345,L375,ISLe340 30,ISLe350 30	
	11A22D-19013	1	连接胶管 Connecting Rubber Tube		M11-C350E 20,M11-C380E 20	
	11A52D-19013	1	连接胶管 Connecting Rubber Tube		C9-350HP	
13	11A18D-19014	1	增压中冷器出气管 Supercharging Intercooler Outlet Tube		L345,L375,ISLe340 30,ISLe350 30	
	11A22D-19014	1	增压中冷器出气管 Supercharging Intercooler Outlet Tube		M11-C350E 20,M11-C380E 20	
	11A52D-19014	1	增压中冷器出气管 Supercharging Intercooler Outlet Tube		C9-350HP	
14	11A18D-19016	1	连接钢管 Connecting Steel Tube		L345,L375,ISLe340 30,ISLe350 30	
	11A22D-19016	1	连接钢管 Connecting Steel Tube		M11-C350E 20,M11-C380E 20	

## 冷却水气管路组图 / COOLING WATER AND AIR PIPELINE SET

13-N



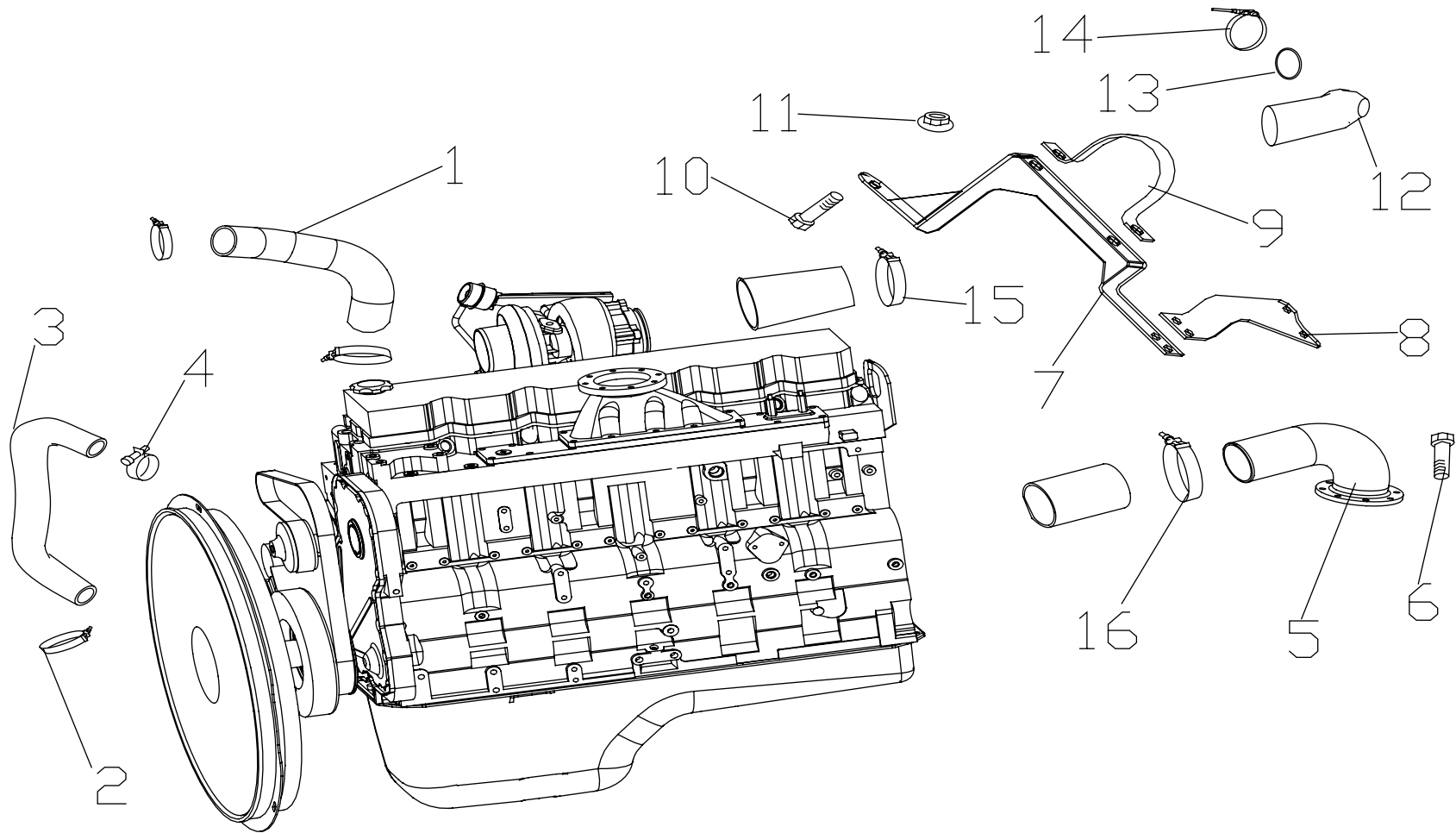
冷却系统 / COOLING SYSTEM

13-42

序号 No.	件号 Part No.	数量 Quantity	名称 Name	规格 Specification	适用产品 Products Applied	备注 Remark
14	11A52D-19016	1	连接钢管 Connecting Steel Tube		C9-350HP	
15	11A18D-19026	1	连接胶管 Connecting Rubber Tube		L345,L375	
	11A43D-19026	1	连接胶管 Connecting Rubber Tube		ISLe340 30,ISLe350 30	
	11A22D-19026	1	连接胶管 Connecting Rubber Tube		M11-C350E 20,M11-C380E 20	
	11A52D-19026	1	连接胶管 Connecting Rubber Tube		C9-350HP	
16	11A4D-19028	6	φ 100T 型卡箍 φ 100T Type Retaining Ring			

## 发动机水气管路组图 / ENGINE WATER AND AIR PIPELINE SET

13-0





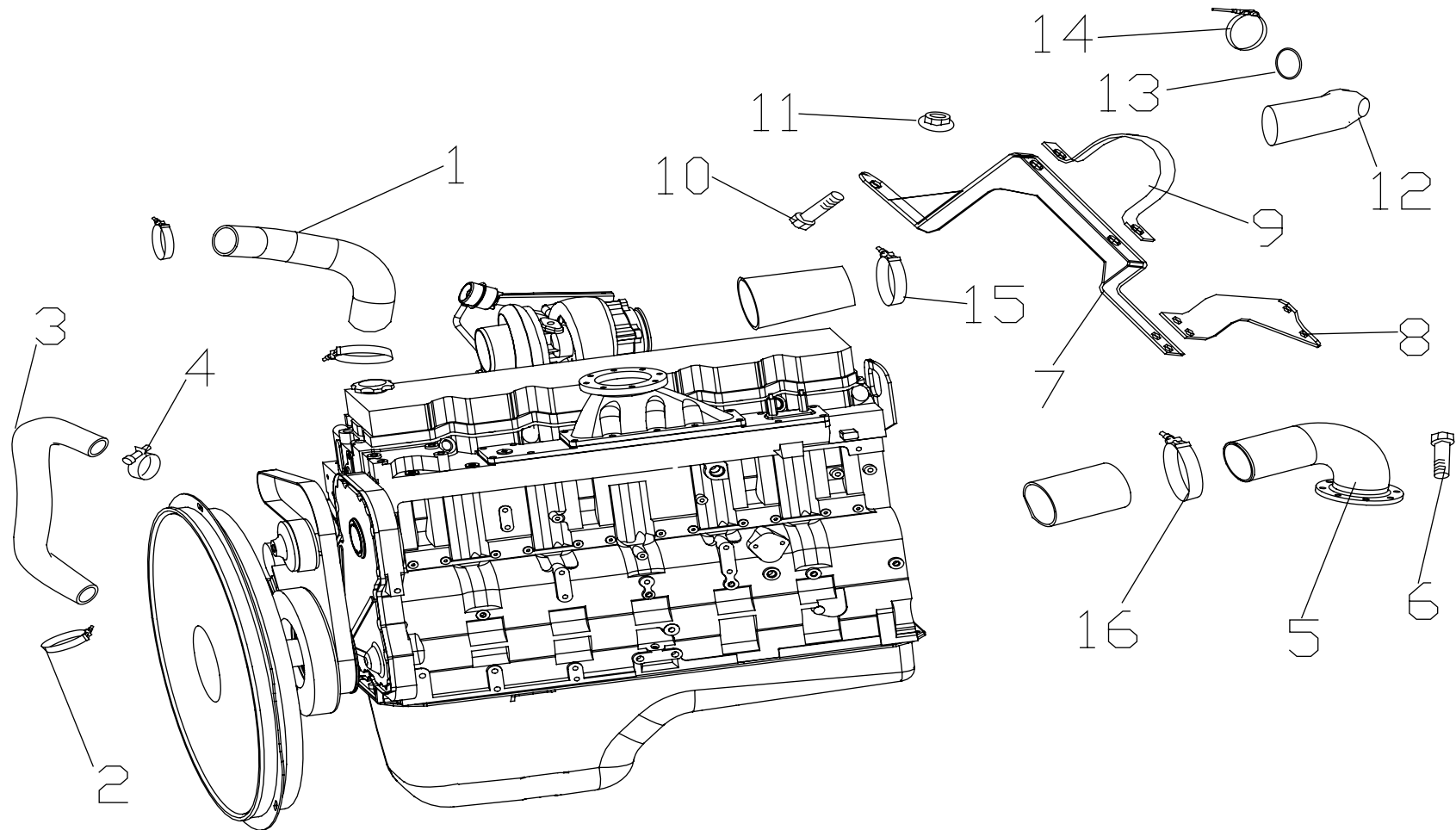
# 冷却系统 / COOLING SYSTEM

13-44

序号 No.	件号 Part No.	数量 Quantity	名称 Name	规格 Specification	适用产品 Products Applied	备注 Remark
1	13A18D-03013	1	发动机出水管 Engine Water Outlet Pipe		L345,L375,ISLe340 30,ISLe350 30	
	13A22D-03013	1	发动机出水管 Engine Water Outlet Pipe		M11-C350E 20,M11-C380E 20	
2	Q67580	3	A 型蜗杆传动式软管环箍 A Type Worm Transmission Hose Snap Ring			
3	13A4D-03014	1	胶管 B- 钢管至发动机 Rubber Tube B-Steel Tube To Engine		L345,L375,ISLe340 30,ISLe350 30	
	13A22D-03016	1	胶管 B- 钢管至发动机 Rubber Tube B-Steel Tube To Engine		M11-C350E 20,M11-C380E 20	
	13A52D-03014	1	胶管 B- 钢管至发动机 Rubber Tube B-Steel Tube To Engine		C9-350HP	
4	Q67570	1	A 型蜗杆传动式软管环箍 A Type Worm Transmission Hose Snap Ring			
5	11A18D-19019	1	发动机进气钢管 Engine Air Intake Steel Tube		L345,L375	
6	Q1840830	8	六角法兰面螺栓 Hexagon Bolt With Flange			
7	11A21D-19020	1	进气管支架总成 1 Air Intake Tube Bracket Assembly 1		L345,L375	
8	11A21D-19025	1	进气管支架总成 2 Air Inlet Tube Bracket Assembly 2		L345,L375	
9	11A4D-19018	1	卡箍 Retaining Ring		L345,L375	
10	Q1840820	5	六角法兰面螺栓 Hexagon Bolt With Flange			
11	Q32008	4	六角法兰面螺母 Hexagon Nut With Flange			

## 发动机水气管路组图 / ENGINE WATER AND AIR PIPELINE SET

13-0



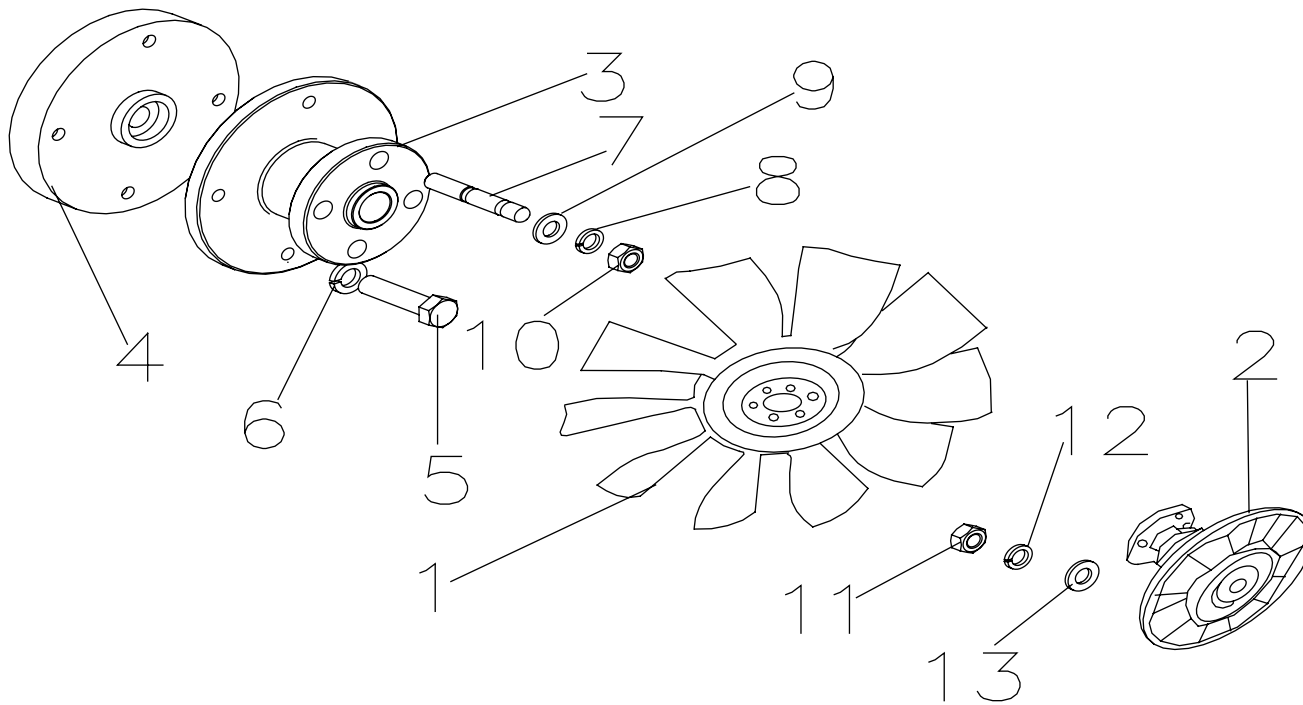
冷却系统 / COOLING SYSTEM

13-46

序号 No.	件号 Part No.	数量 Quantity	名称 Name	规格 Specification	适用产品 Products Applied	备注 Remark
12	11A4D-19021	1	增压器出气管 Supercharger Outlet Tube		L345,L375,ISLe340 30,ISLe350 30	
13	11A4D-19022	1	O型圈 O-Ring		L345,L375,ISLe340 30,ISLe350 30	
14	11A4D-19023	1	卡箍 Retaining Ring		L345,L375,ISLe340 30,ISLe350 30	
15	11A4D-19027	1	φ 90T 型卡箍 φ 90T Type Retaining Ring			
16	11A4D-19028	1	φ 100T 型卡箍 φ 100T Type Retaining Ring			

## 冷却风扇组图 / COOLING FAN SET

13-P



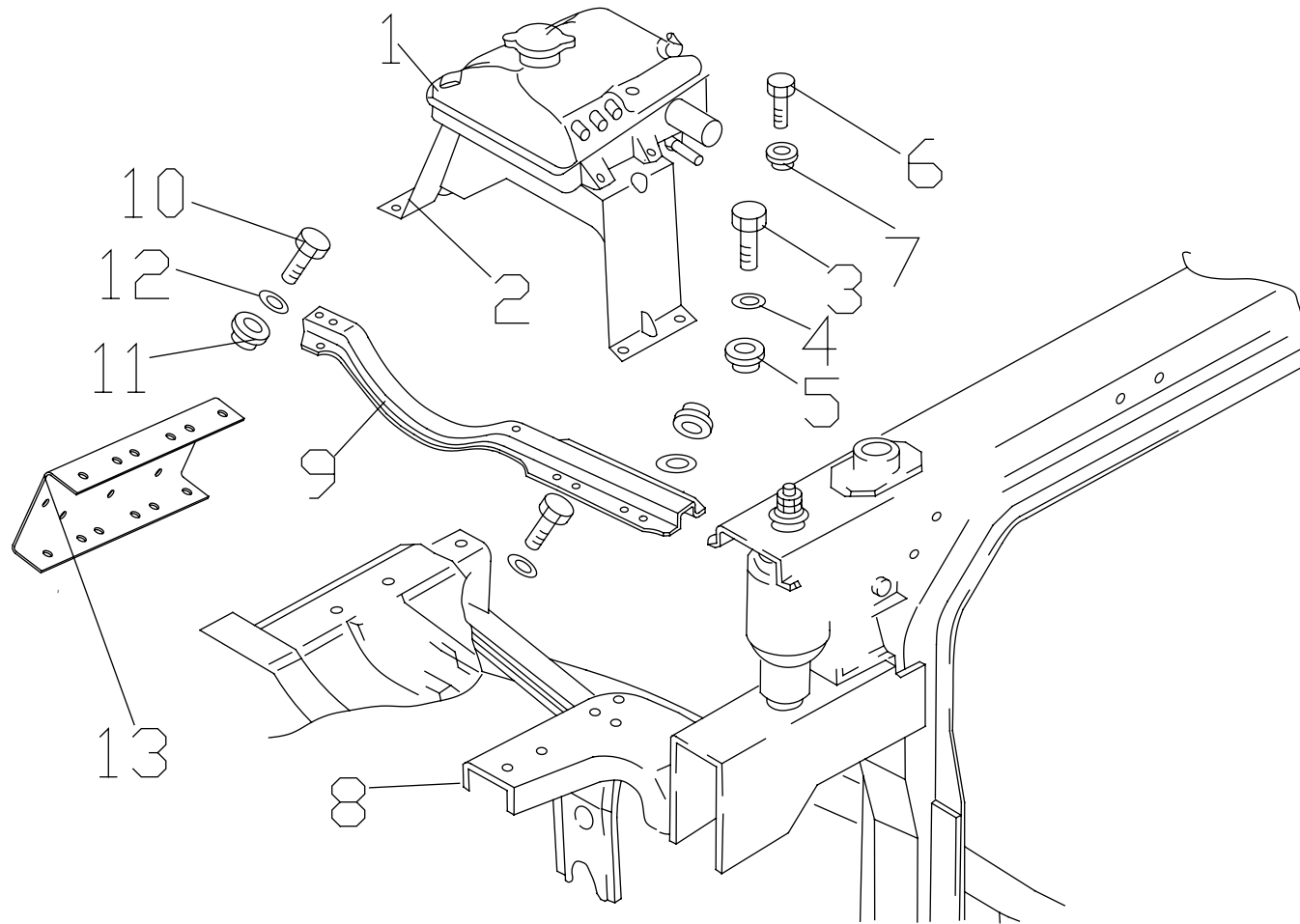
## 冷却系统 / COOLING SYSTEM

13-48

序号 No.	件号 Part No.	数量 Quantity	名称 Name	规格 Specification	适用产品 Products Applied	备注 Remark
1	1308A18D-010	1	风扇总成 Fan Assembly		L345,L375,ISLe340 30,ISLe350 30	
2	1313A18D-010	1	风扇离合器总成 Fan Clutch Assembly		L345,L375,ISLe340 30,ISLe350 30	
3	13A18D-08011	1	风扇连接轴 Fan Connecting Shaft		L345,L375,ISLe340 30,ISLe350 30	
4	13A18D-08012	1	风扇连接法兰 Fan Connecting Flange		L345,L375,ISLe340 30,ISLe350 30	
5	Q150B1265	4	六角头螺栓 Hexagon Head Bolt			
6	Q40312	4	弹簧垫圈 Spring Washer			
7	Q1241025	4	双头螺柱 Stud Bolt			
8	Q40310	4	弹簧垫圈 Spring Washer			
9	Q40110	4	平垫圈 Plate Washer			
10	Q340B10	4	I 型六角螺母 Hexagon Full Nut			
11	Q340B08	6	I 型六角螺母 Hexagon Full Nut			
12	Q40308	6	弹簧垫圈 Spring Washer			
13	Q40108	6	平垫圈 Plate Washer			

## 冷却液膨胀箱组图 / COOLANT EXPANSION TANK SET

13-Q



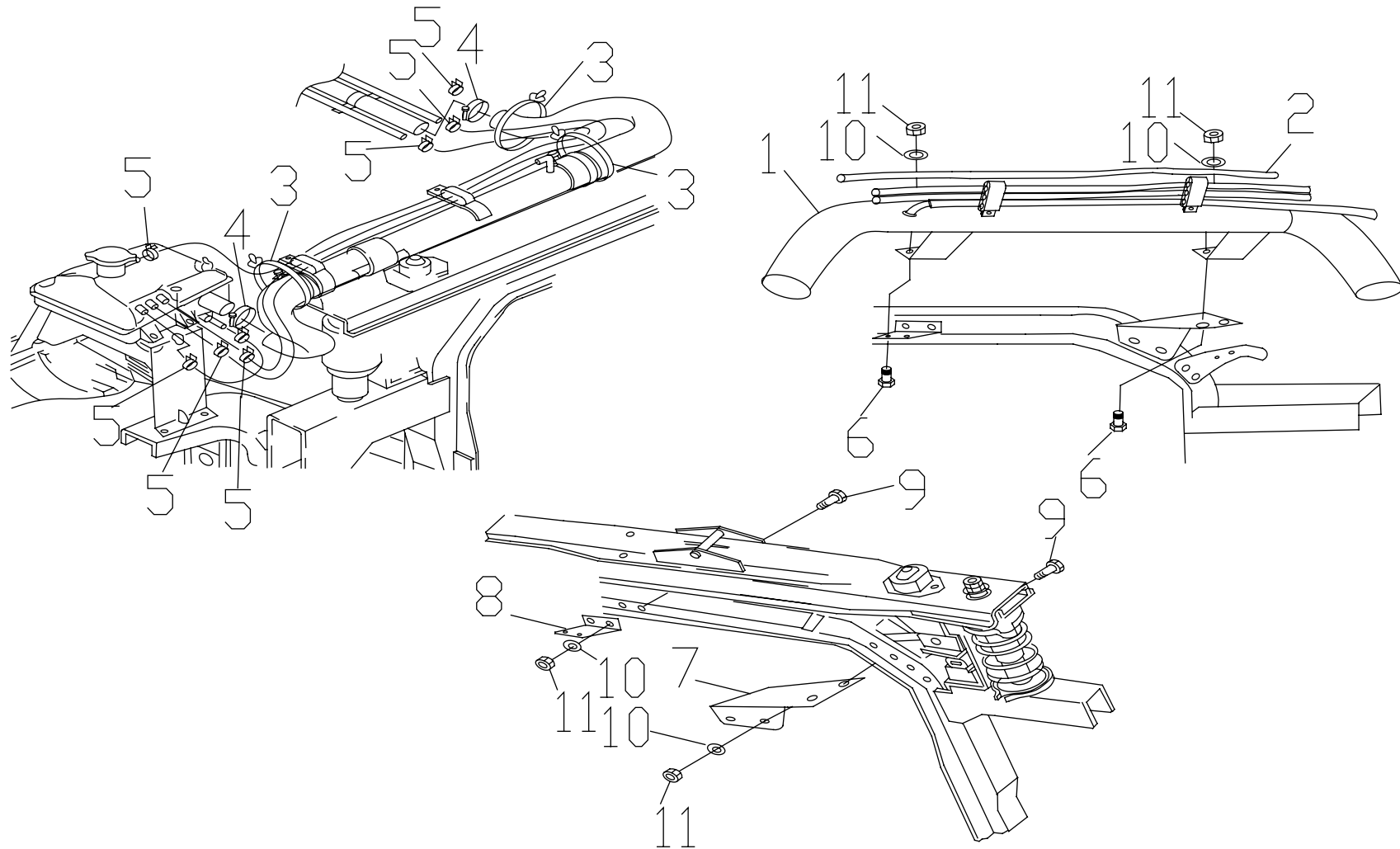
冷却系统 / COOLING SYSTEM

13-50

序号 No.	件号 Part No.	数量 Quantity	名称 Name	规格 Specification	适用产品 Products Applied	备注 Remark
1	1311AD-010	1	膨胀箱总成 Expansion Tank Assembly			
2	13AD-11020	1	膨胀箱支架总成 Expansion Tank Bracket Assembly			
3	Q151B1230	4	六角头螺栓 Hexagon Head Bolt			
4	Q40312	4	弹簧垫圈 Spring Washer			
5	Q341B12	4	I型六角螺母 Hexagon Full Nut			
6	Q1460825	4	六角头螺栓 Hexagon Head Bolt			
7	Q32008	4	六角法兰面螺母 Hexagon Nut With Flange			
8	13AD-11025	1	支架总成 A Bracket Assembly A			
9	11AD-09030	1	支架总成 B Bracket Assembly B			
10	Q150B1025	5	六角头螺栓 Hexagon Head Bolt			
11	Q340B10	6	I型六角螺母 Hexagon Full Nut			
12	Q40310	9	弹簧垫圈 Spring Washer			
13	13A2D-11027	1	支架 Bracket			

## 膨胀箱连接管组图 / EXPANSION TANK CONNECTING PIPE SET

13-R





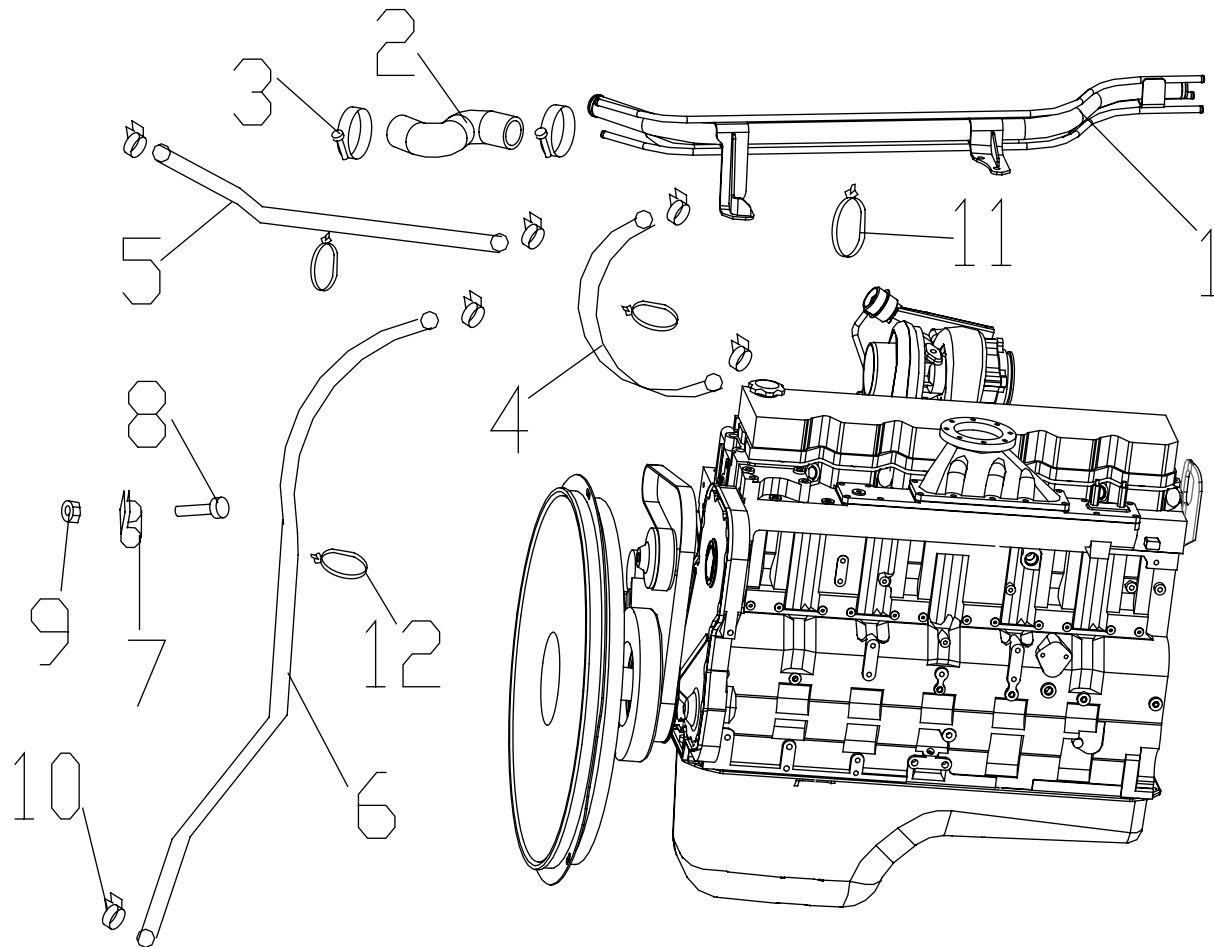
## 冷却系统 / COOLING SYSTEM

13-52

序号 No.	件号 Part No.	数量 Quantity	名称 Name	规格 Specification	适用产品 Products Applied	备注 Remark
1	13A4D-11040	1	连接管总成 B Connecting Pipe Assembly B		非 6M70 车型 Non 6M70 Modle	
2	13A18D-11017	1	胶管 E Rubber Tube E		非 6M70 车型 Non 6M70 Modle	
3	Q67407250	3	塑料紧箍带 Plastic Band			
4	Q67545	2	A 型蜗杆传动式软管环箍 A Type Worm Transmission Hose Snap Ring			
5	Q67522	7	A 型蜗杆传动式软管环箍 A Type Worm Transmission Hose Snap Ring			
6	Q150B0816	4	六角头螺栓 Hexagon Head Bolt			
7	13AD-11041	1	左支架 - 连接管总成 B Bracket LH-Connecting Pipe Assembly B		非 6M70 车型 Non 6M70 Modle	
8	13AD-11042	1	右支架 - 连接管总成 B Bracket RH-Connecting Pipe Assembly B		非 6M70 车型 Non 6M70 Modle	
9	Q150B0820	4	六角头螺栓 Hexagon Head Bolt			
10	Q40308	8	弹簧垫圈 Spring Washer			
11	Q340B08	8	I 型六角螺母 Hexagon Full Nut			

## 过渡水管组图 / TRANSITION WATER PIPE SET

13-S



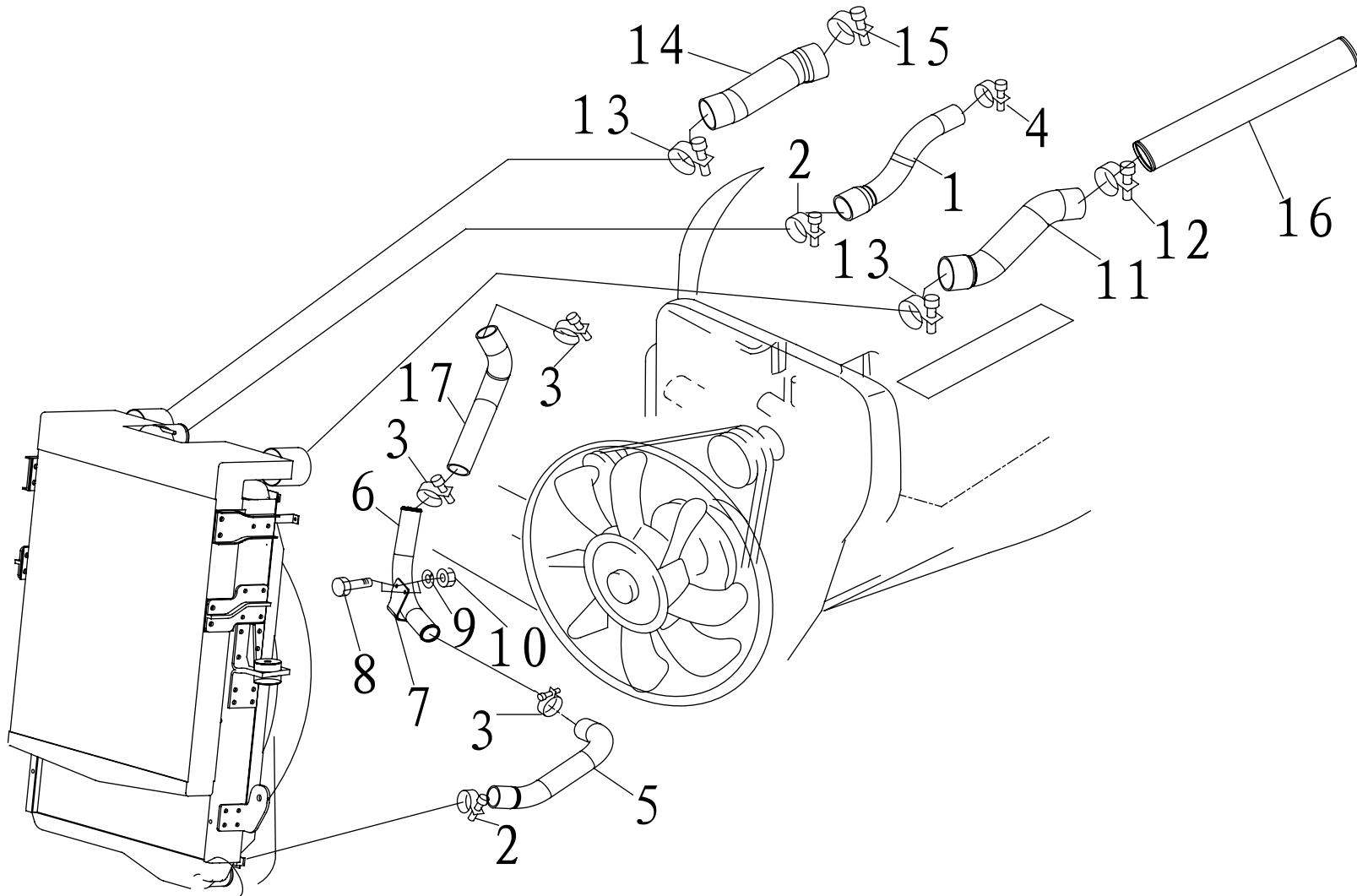
## 冷却系统 / COOLING SYSTEM

13-54

序号 No.	件号 Part No.	数量 Quantity	名称 Name	规格 Specification	适用产品 Products Applied	备注 Remark
1	13A18D-11015	1	连接管总成 A Connecting Pipe Assembly A		L345,L375	
	13A43D-11015	1	连接管总成 A Connecting Pipe Assembly A		ISLe340 30,ISLe350 30	
2	13A18D-11011	1	发动机加水管 Water Filler Pipe Of Engine		L345,L375	
	13A43D-11011	1	发动机加水管 Water Filler Pipe Of Engine		ISLe340 30,ISLe350 30	
3	Q67550	2	A 型蜗杆传动式软管环箍 A Type Worm Transmission Hose Snap Ring			
4	13A4D-11013	1	胶管 C (发动机除气用) Rubber Tube C(For Engine Deaeration)			
5	13A4D-11014	1	胶管 D (散热器除气用) Rubber Tube D(For Radiator Deaeration)			
6	13A4D-11012	1	胶管 B (膨胀箱补水用) Rubber Tube B(For Waterfeed In Expansion Tank)			
7	Q68614	1	单管夹片 Single Tube Clamp Plate			
8	Q150B0612	1	六角头螺栓 Hexagon Head Bolt			
9	Q32006	1	六角法兰面螺母 Hexagon Nut With Flange			
10	Q67522	6	A 型蜗杆传动式软管环箍 A Type Worm Transmission Hose Snap Ring			
11	Q67407300	1	塑料紧箍带 Plastic Band			

## 冷却水气管路组图 / COOLING WATER AND AIR PIPELINE SET

13-T



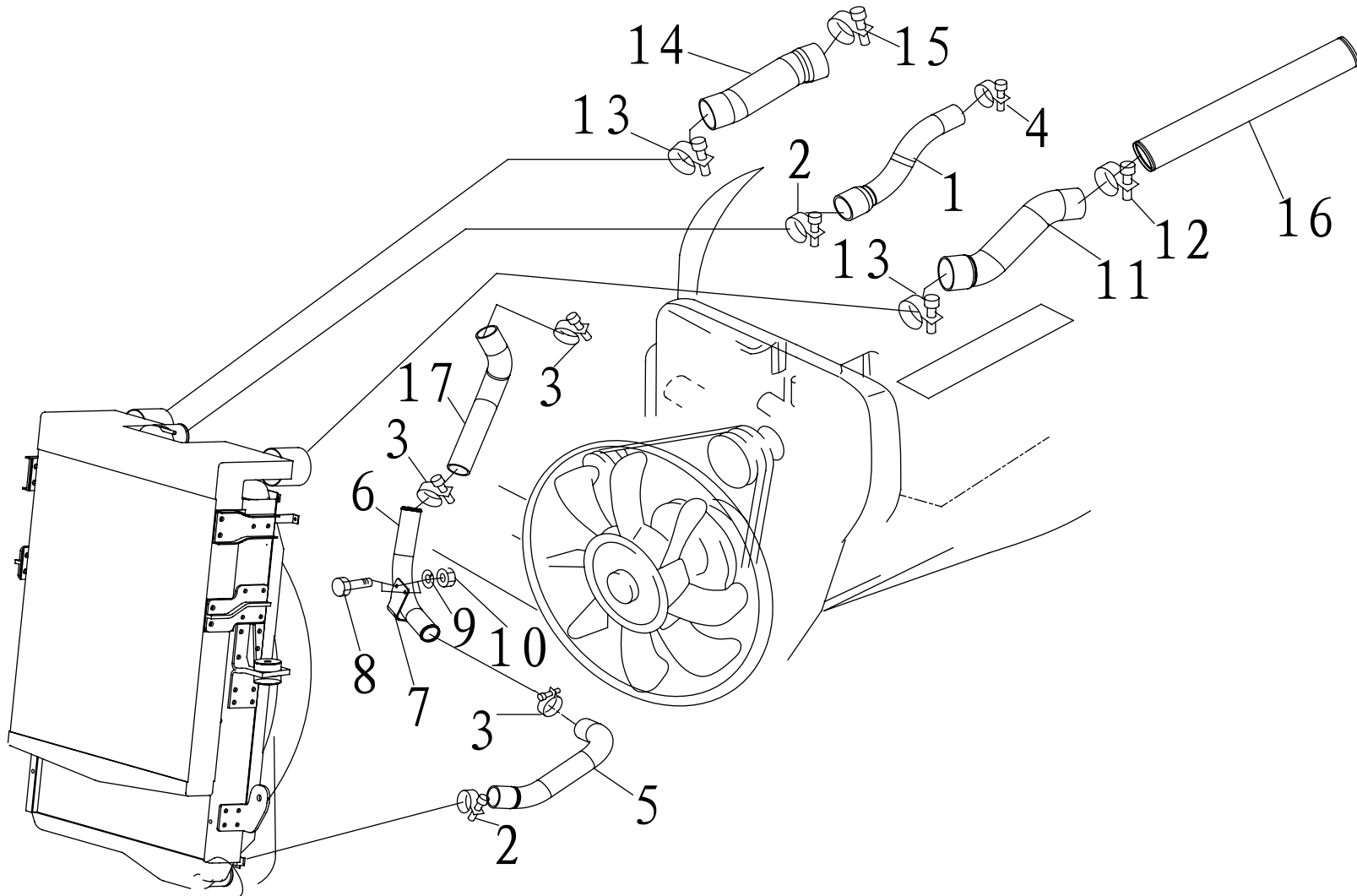
冷却系统 / COOLING SYSTEM

13-56

序号 No.	件号 Part No.	数量 Quantity	名称 Name	规格 Specification	适用产品 Products Applied	备注 Remark
1	13A19D-03011	1	散热器进水管 Radiator Water Inlet Pipe		WD615.38,WP10 290,WP10 336	
	13A82D-03011	1	散热器进水管 Radiator Water Inlet Pipe		WD12.336,WD12.375	
2	Q67580	2	A型蜗杆传动式软管环箍 A Type Worm Transmission Hose Snap Ring			
3	Q67570	3	A型蜗杆传动式软管环箍 A Type Worm Transmission Hose Snap Ring			
4	Q67560	1	A型蜗杆传动式软管环箍 A Type Worm Transmission Hose Snap Ring			
5	13A19D-03014	1	散热器出水管 Radiator Water Outlet Pipe		WD615.38	
	13A59D-03013	1	散热器进水管 Radiator Water Inlet Pipe		WP10 290,WP10 336	
	13A82D-03013	1	散热器进水管 Radiator Water Inlet Pipe		WD12.336,WD12.375	
6	13A5D-03020	1	散热器出水过渡钢管总成 Radiator Water Outlet Transition Steel Tube Assembly		WD615.38,WP615.46,WD615.34	
	13A52D-03020	1	散热器出水过渡钢管总成 Radiator Water Outlet Transition Steel Tube Assembly		C9-350HP	
	13A59D-03020	1	散热器出水过渡钢管总成 Radiator Water Outlet Transition Steel Tube Assembly		WP10 290,WP10 336,WD12.336,WD12.37	
7	13A2D-03022	1	散热器出水过渡钢管支架 Radiator Water Outlet Transition Steel Tube Bracket			
8	Q150B1025	2	六角头螺栓 Hexagon Head Bolt			
9	Q40310	2	弹簧垫圈 Spring Washer			

## 冷却水气管路组图 / COOLING WATER AND AIR PIPELINE SET

13-T



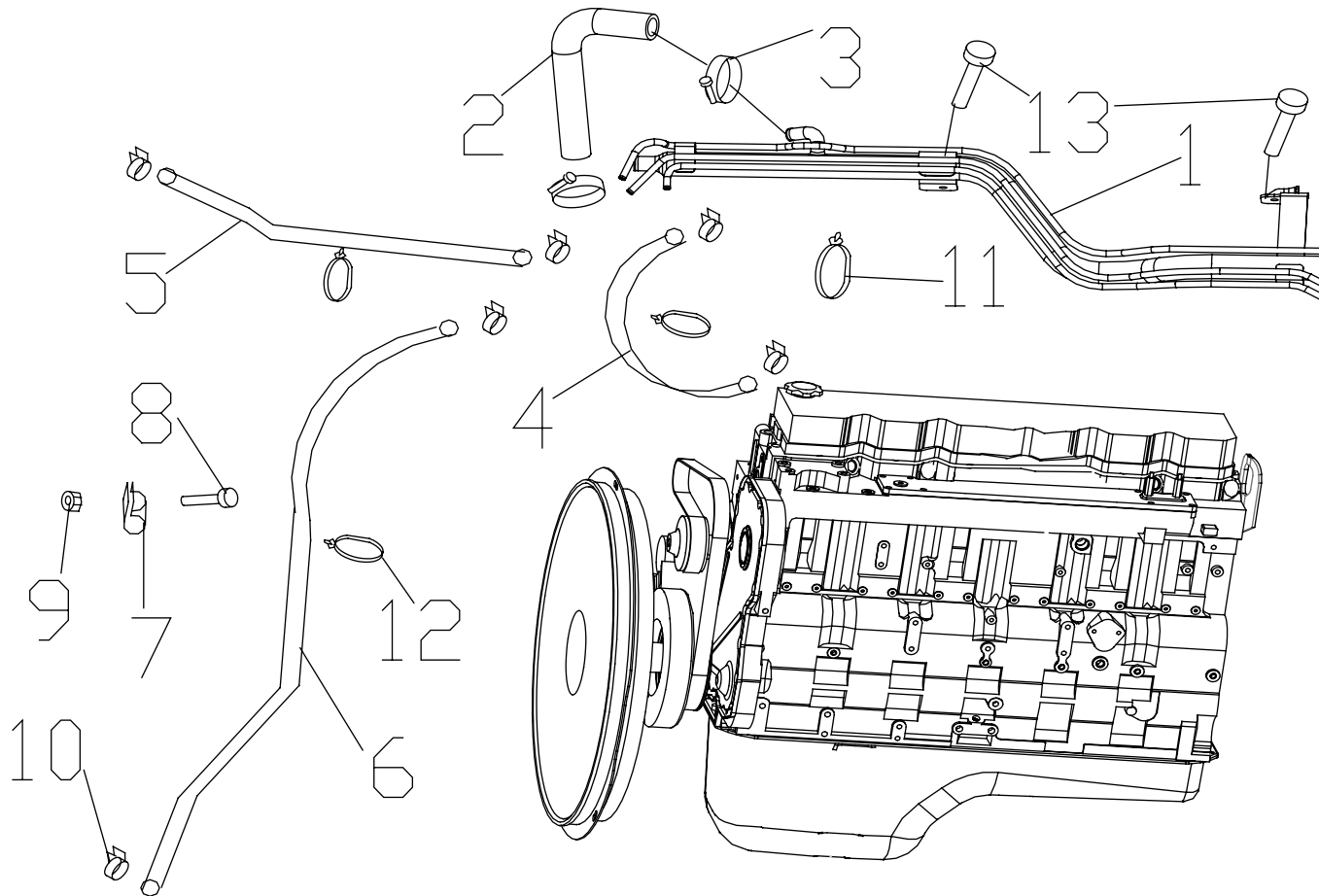
## 冷却系统 / COOLING SYSTEM

13-58

序号 No.	件号 Part No.	数量 Quantity	名称 Name	规格 Specification	适用产品 Products Applied	备注 Remark
10	Q340B10	2	I 型六角螺母 Hexagon Full Nut			
11	11A19D-19011	1	增压中冷器进气管 Supercharging Intercooler Intake Tube		WD615.38,WP10 290,WP10 336	
	11A82D-19011	1	增压中冷器进气管 Supercharging Intercooler Intake Tube		WD12.336,WD12.375	
12	11A4D-19027	1	φ 90T 型卡箍 φ 90T Type Retaining Ring			
13	11A4D-19028	2	φ 100T 型卡箍 φ 100T Type Retaining Ring			
14	11A19D-19014	1	增压中冷器出气管 Supercharging Intercooler Outlet Tube		WD615.38,WP10 290,WP10 336, WD12.336,WD12.375	
15	11A2D-19027	1	φ 110T 型卡箍 φ 110T Type Retaining Ring			
16	11A19D-19016	1	中冷器进气过渡钢管 Intercooler Intake Transition Steel Tube		WD615.38,WP10 290,WP10 336, WD12.336,WD12.375	
17	13A2D-03014	1	发动机进水管 Engine Water Inlet Pipe		WD615	
	13A52D-03014	1	发动机进水管 Engine Water Inlet Pipe		C9-350HP	
	13A59D-03014	1	发动机进水管 Engine Water Inlet Pipe		WP10 290,WP10 336,WD12.336,WD12.375	

## 过渡水管组图 / TRANSITION WATER PIPE SET

13-U





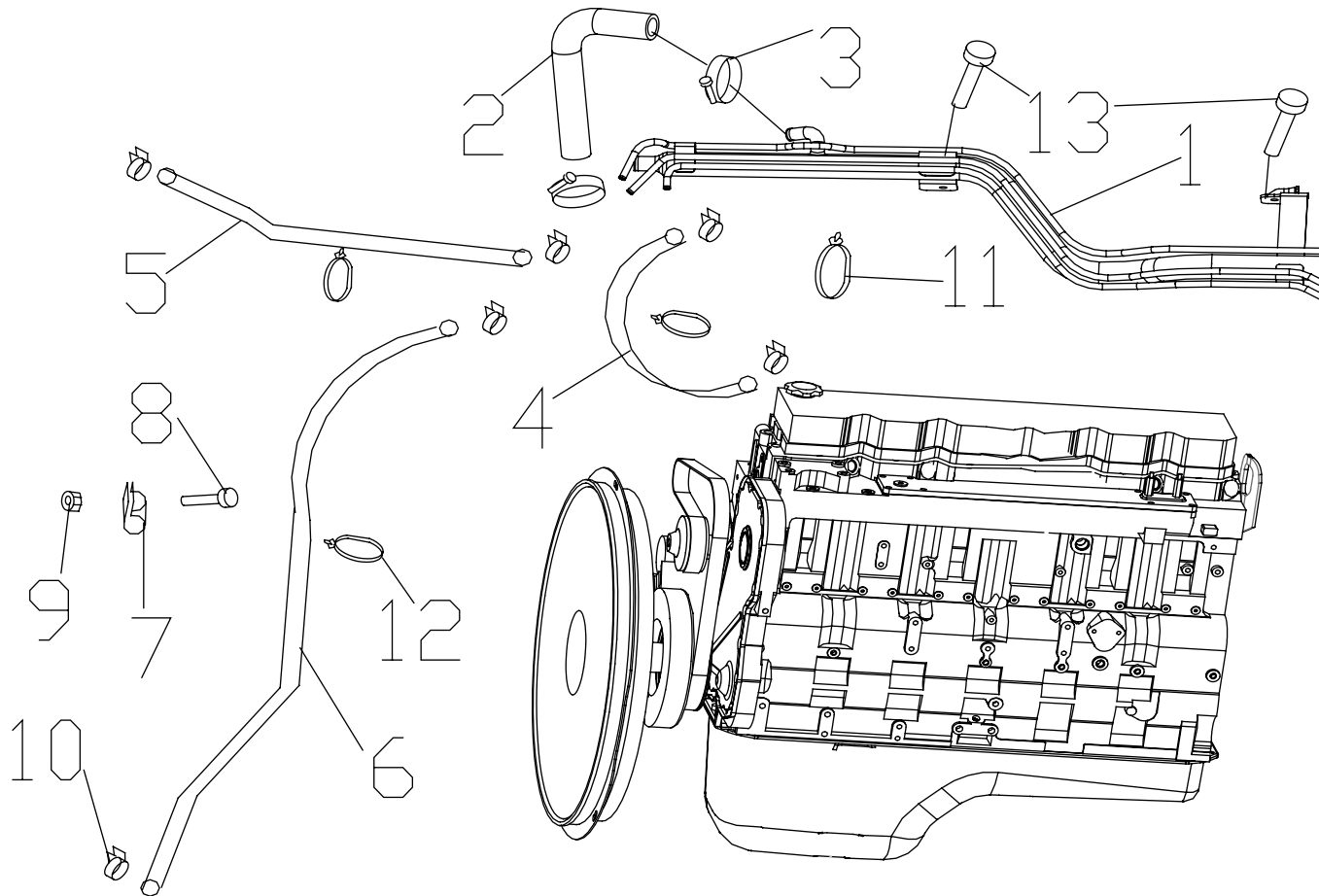
# 冷却系统 / COOLING SYSTEM

13-60

序号 No.	件号 Part No.	数量 Quantity	名称 Name	规格 Specification	适用产品 Products Applied	备注 Remark
1	13A5D-11015	1	连接管总成 A Connecting Pipe Assembly A		WD615.34,WD615.46,WD615.38	
	13A82D-11015	1	连接管总成 A Connecting Pipe Assembly A		WP10 290,WP10 336,WD12.336,WD12.375	
	13A52D-11015	1	连接管总成 A Connecting Pipe Assembly A		C9-350HP	
2	13A5D-11011	1	发动机加水管 Engine Water Filler Pipe		WD615.34,WD615.46,WD615.38	
	13A59D-11011	1	发动机加水管 Engine Water Filler Pipe		WP10 290,WP10 336,WD12.336,WD12.375	
	13A52D-11011	1	发动机加水管 Engine Water Filler Pipe		C9-350HP	
3	Q67527	2	A 型蜗杆传动式软管环箍 A Type Worm Transmission Hose Snap Ring			
4	13A4D-11013	1	胶管 C ( 发动机除气用 ) Rubber Tube C(For Engine Deaeration)			
5	13A18D-11014	1	胶管 D ( 散热器除气用 ) Rubber Tube D(For Radiator Deaeration)			
6	13A4D-11012	1	胶管 B ( 膨胀箱补水用 ) Rubber Tube B(For Waterfeed In Expansion Tank)			
7	Q68614	1	单管夹片 Single Tube Clamp Plate			
8	Q150B0612	1	六角头螺栓 Hexagon Head Bolt			
9	Q32006	1	六角法兰面螺母 Hexagon Nut With Flange			
10	Q67522	6	A 型蜗杆传动式软管环箍 A Type Worm Transmission Hose Snap Ring			

## 过渡水管组图 / TRANSITION WATER PIPE SET

13-U



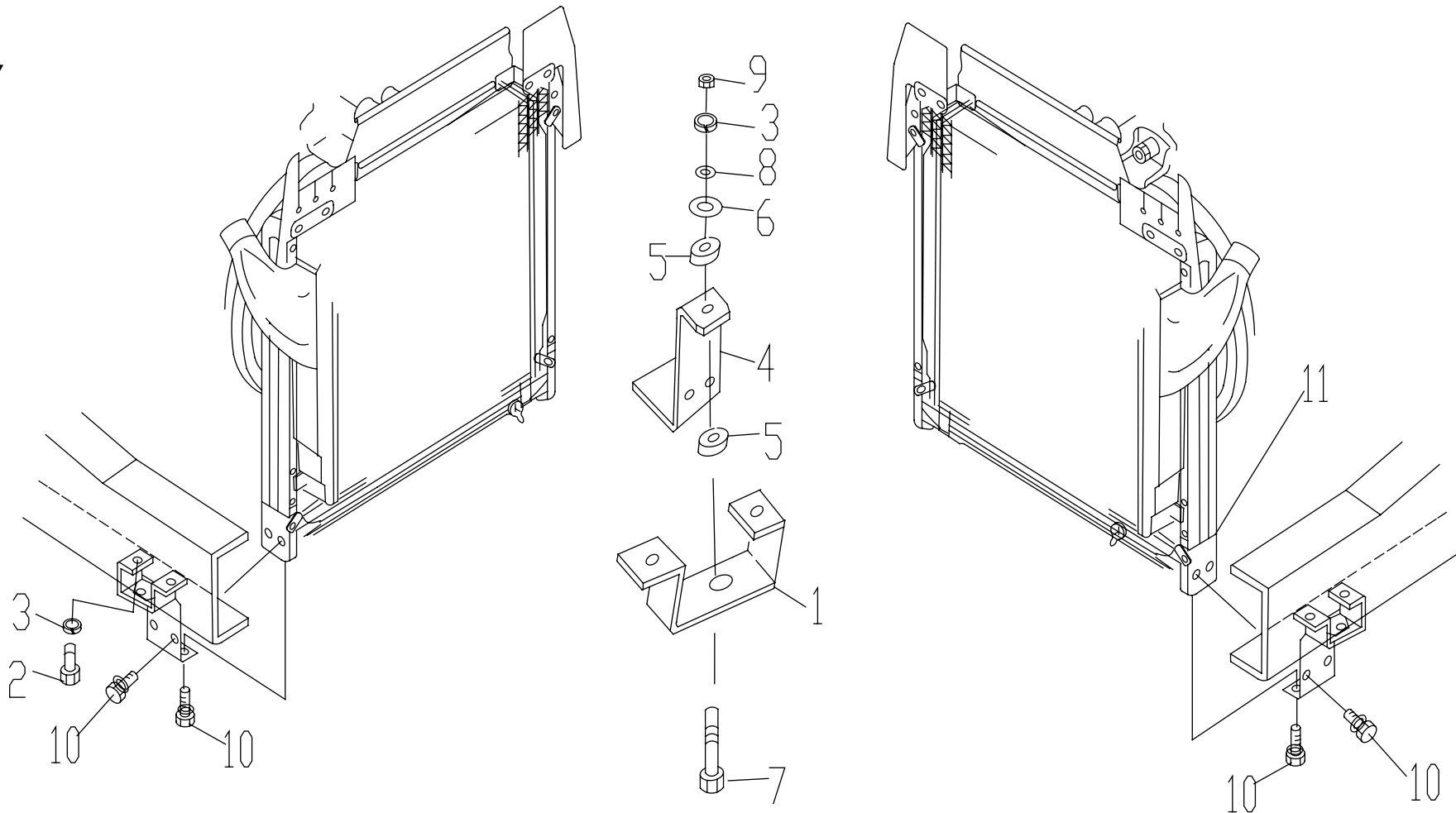
冷却系统 / COOLING SYSTEM

13-62

序号 No.	件号 Part No.	数量 Quantity	名称 Name	规格 Specification	适用产品 Products Applied	备注 Remark
11	Q67407300	1	塑料紧箍带 Plastic Band			
12	Q67407160	3	塑料紧箍带 Plastic Band			
13	Q1460830	2	六角头弹平垫组合螺栓 Hexagon Combination Bolt With Spring And Plain Washer			

## 散热器悬置组图 / RADIATOR MOUNTING SET

13-V



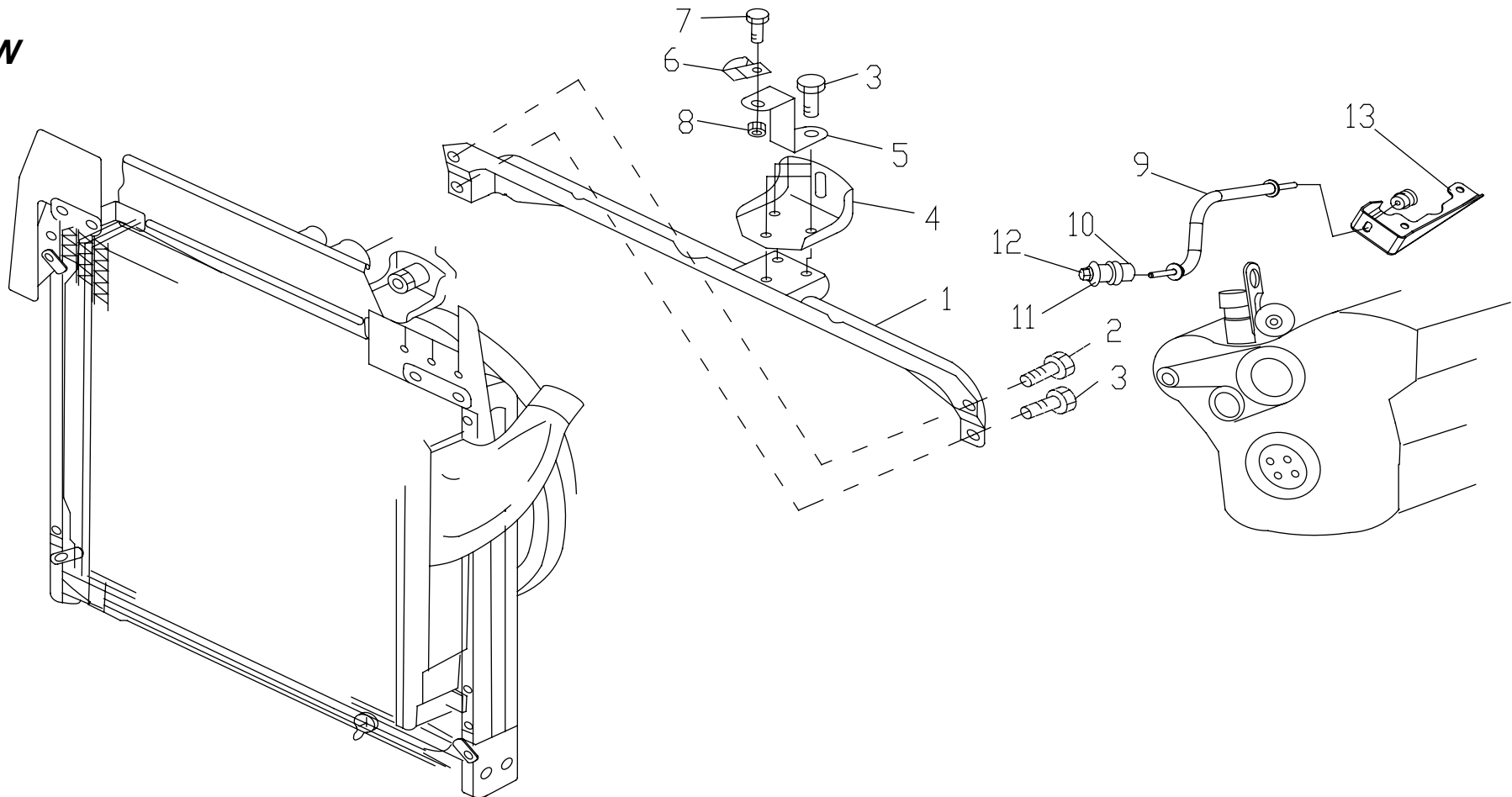
## 冷却系统 / COOLING SYSTEM

13-64

序号 No.	件号 Part No.	数量 Quantity	名称 Name	规格 Specification	适用产品 Products Applied	备注 Remark
1	13AD-02010	2	下支架总成 - 散热器悬置 Lower Bracket Assembly-Radiator Mounting			
2	Q150B1235	4	六角头螺栓 Hexagon Head Bolt			
3	Q40312	6	弹簧垫圈 Spring Washer			
4	13A2D-02011	2	下支架 Lower Bracket		WD615.56,WD615.50,WD615.44	
5	13AD-02012	4	软垫 Pad			
6	13AD-02013	2	垫片 Shim			
7	Q150B1265	2	六角头螺栓 Hexagon Head Bolt			
8	Q40212	2	大垫圈 Big Washer			
9	Q340B12	2	I型六角螺母 Hexagon Full Nut			
10	Q1461025	8	六角平弹垫组合用螺栓 Hexagon Combination Bolt With Spring And Plain Washer			
11	1301A2D-010	1	散热器总成 Radiator Assembly		WD615.56,WD615.50,WD615.44	

## 散热器支撑组图 / RADIATOR SUPPORT SET

13-W



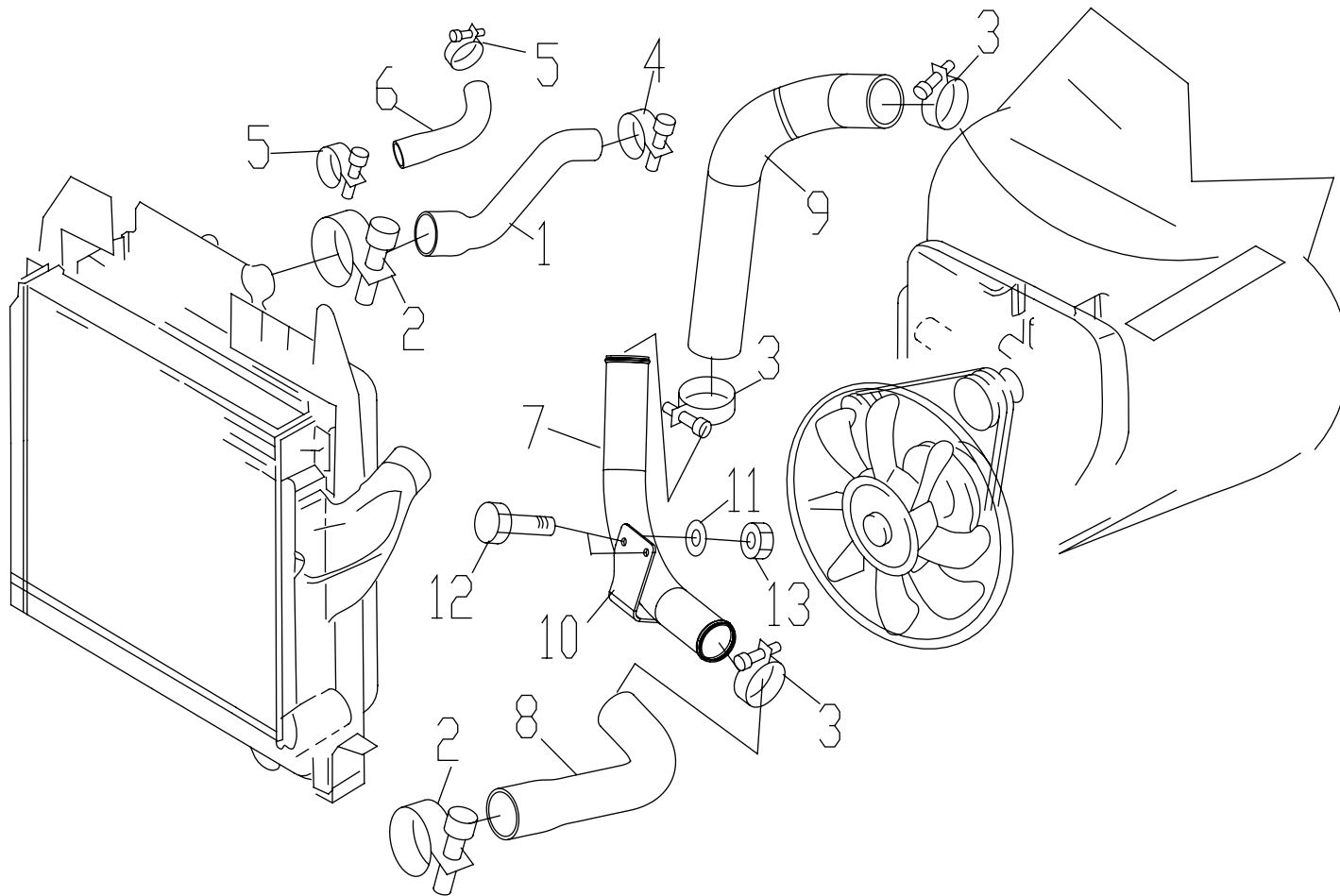
冷却系统 / COOLING SYSTEM

13-66

序号 No.	件号 Part No.	数量 Quantity	名称 Name	规格 Specification	适用产品 Products Applied	备注 Remark
1	13AD-02015	1	上支架总成 - 散热器悬置 Upper Bracket Assembly-Radiator Mounting			
2	Q1460830	2	六角头螺栓 Hexagon Head Bolt			
3	Q1460820	5	六角头螺栓 Hexagon Head Bolt			
4	13AD-02016	1	上支架 A Upper Bracket A			
5	13A4D-02018	1	管夹支架 Tube Clamp Bracket			
6	37AD-33404	1	定位夹 Locating Clip			
7	Q150B0612	1	六角头螺栓 Hexagon Head Bolt			
8	Q32006	1	六角法兰面螺母 Hexagon Nut With Flange			
9	13A2D-02021	1	散热器上拉杆 Upper Drag Rod Of Radiator		WD615.56,WD615.50,WD615.44	
10	13A2D-02041	4	软垫 Pad		WD615.56,WD615.50,WD615.44	
11	13A2D-02042	6	垫片 Shim		WD615.56,WD615.50,WD615.44	
12	Q33010	2	锁紧螺母 Lock Nut			
13	13A2D-02023	1	散热器上拉杆支架 Upper Drag Rod Bracket Of Radiator		WD615.56,WD615.50,WD615.44	

## 冷却水管组图 / COOLING WATER PIPE SET

13-X





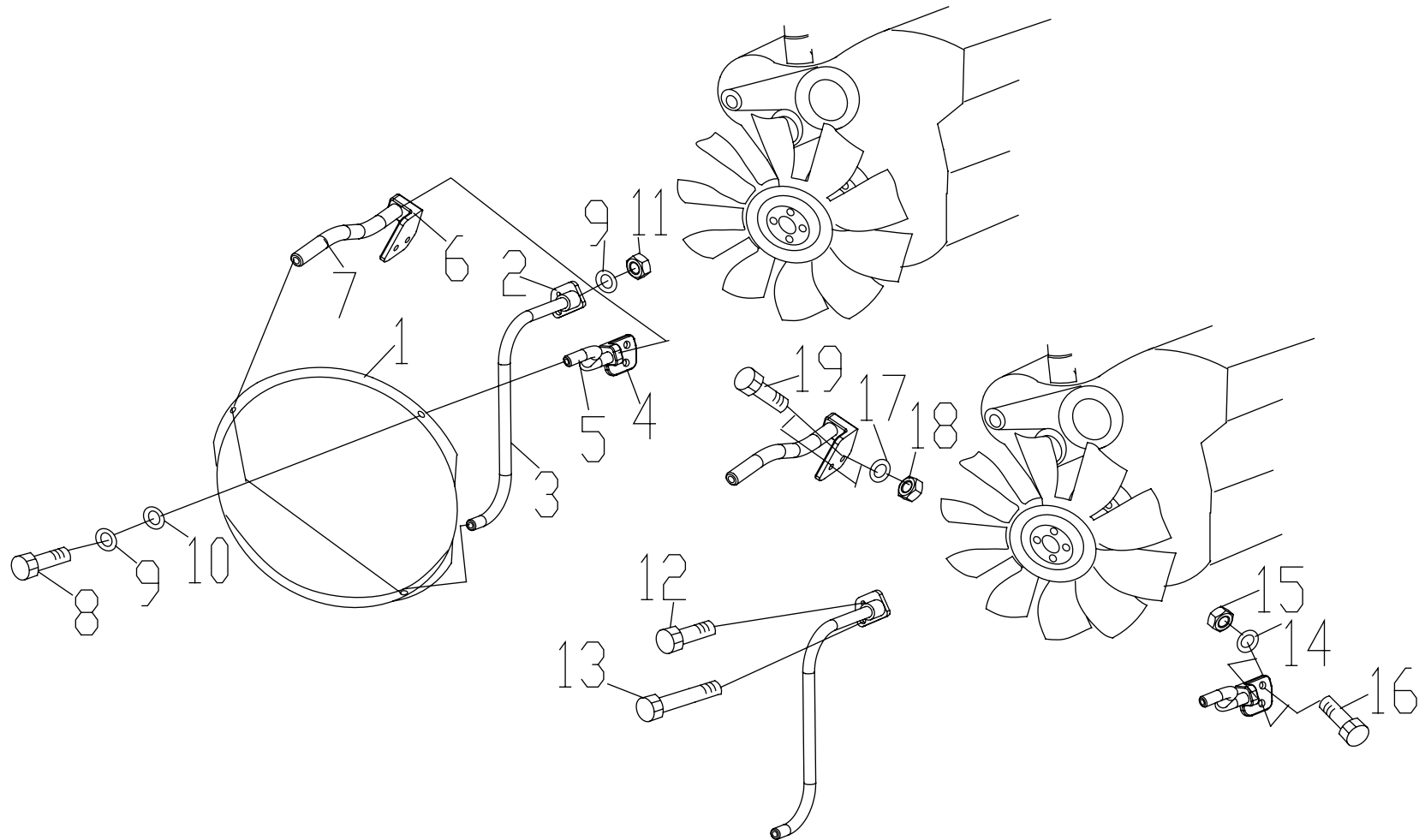
## 冷却系统 / COOLING SYSTEM

13-68

序号 No.	件号 Part No.	数量 Quantity	名称 Name	规格 Specification	适用产品 Products Applied	备注 Remark
1	13A2D-03011	1	散热器进水管 Radiator Water Inlet Pipe		WD615.56,WD615.50,WD615.44	
2	Q67580	2	A型蜗杆传动式软管环箍 A Type Worm Transmission Hose Snap Ring			
3	Q67570	3	A型蜗杆传动式软管环箍 A Type Worm Transmission Hose Snap Ring			
4	Q67560	1	A型蜗杆传动式软管环箍 A Type Worm Transmission Hose Snap Ring			
5	Q67550	2	A型蜗杆传动式软管环箍 A Type Worm Transmission Hose Snap Ring			
6	13A2D-11011	1	散热器除气管 Radiator Deaeration Tube		WD615.56,WD615.50,WD615.44	
7	13A2D-03021	1	散热器出水钢管 Radiator Water Outlet Steel Tube		WD615.56,WD615.50,WD615.44	
8	13A2D-03013	1	散热器出水管 Radiator Water Outlet Pipe		WD615.56,WD615.50,WD615.44	
9	13A2D-03014	1	发动机进水管 Engine Water Inlet Pipe		WD615.56,WD615.50,WD615.44	
10	13A2D-03022	1	散热器出水钢管支架 Radiator Water Outlet Steel Tube Bracket		WD615.56,WD615.50,WD615.44	
11	Q40310	2	弹簧垫圈 Spring Washer			
12	Q150B1025	2	六角头螺栓 Hexagon Head Bolt			
13	Q340B10	2	I型六角螺母 Hexagon Full Nut			

## 风扇导流罩组图 / FAN DOME SET

13-Y



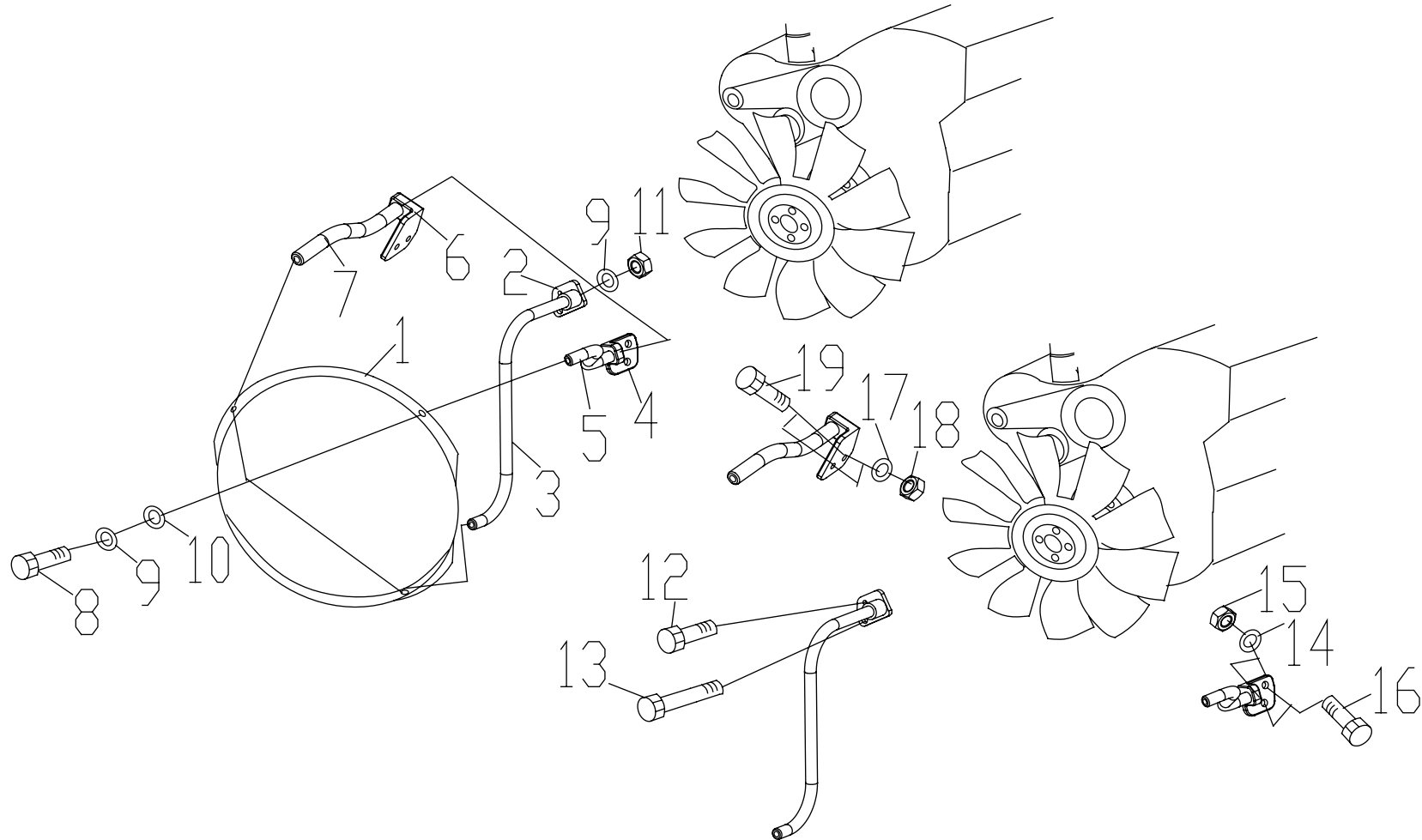
## 冷却系统 / COOLING SYSTEM

13-70

序号 No.	件号 Part No.	数量 Quantity	名称 Name	规格 Specification	适用产品 Products Applied	备注 Remark
1	13A2D-09012	1	风扇导流罩 Fan Dome		WD615.56,WD615.50,WD615.44	
2	13A2D-09021	1	支架 I - 导流罩下支架 Bracket I -Lower Bracket Of Dome		WD615.56,WD615.50,WD615.44	
3	13A2D-09022	1	支架 II - 导流罩下支架 Bracket II -Lower Bracket Of Dome		WD615.56,WD615.50,WD615.44	
4	13A2D-09026	1	支架 I - 导流罩左支架 Bracket I -Dome Bracket LH		WD615.56,WD615.50,WD615.44	
5	13A2D-09027	1	支架 II - 导流罩左支架 Bracket II -Dome Bracket LH		WD615.56,WD615.50,WD615.44	
6	13A2D-09031	1	支架 I - 导流罩右支架 Bracket I -Dome Bracket RH		WD615.56,WD615.50,WD615.44	
7	13A2D-09032	1	支架 II - 导流罩右支架 Bracket II -Dome Bracket RH		WD615.56,WD615.50,WD615.44	
8	Q150B1025	3	六角头螺栓 Hexagon Head Bolt			
9	Q40310	6	弹簧垫圈 Spring Washer			
10	Q40110	3	平垫圈 Plate Washer			
11	Q340B10	3	I 型六角螺母 Hexagon Full Nut			
12	Q1840830	1	六角法兰面螺栓 Hexagon Bolt With Flange			
13	Q1841080	1	六角法兰面螺栓 Hexagon Bolt With Flange			
14	Q40312	2	弹簧垫圈 Spring Washer			

## 风扇导流罩组图 / FAN DOME SET

13-Y



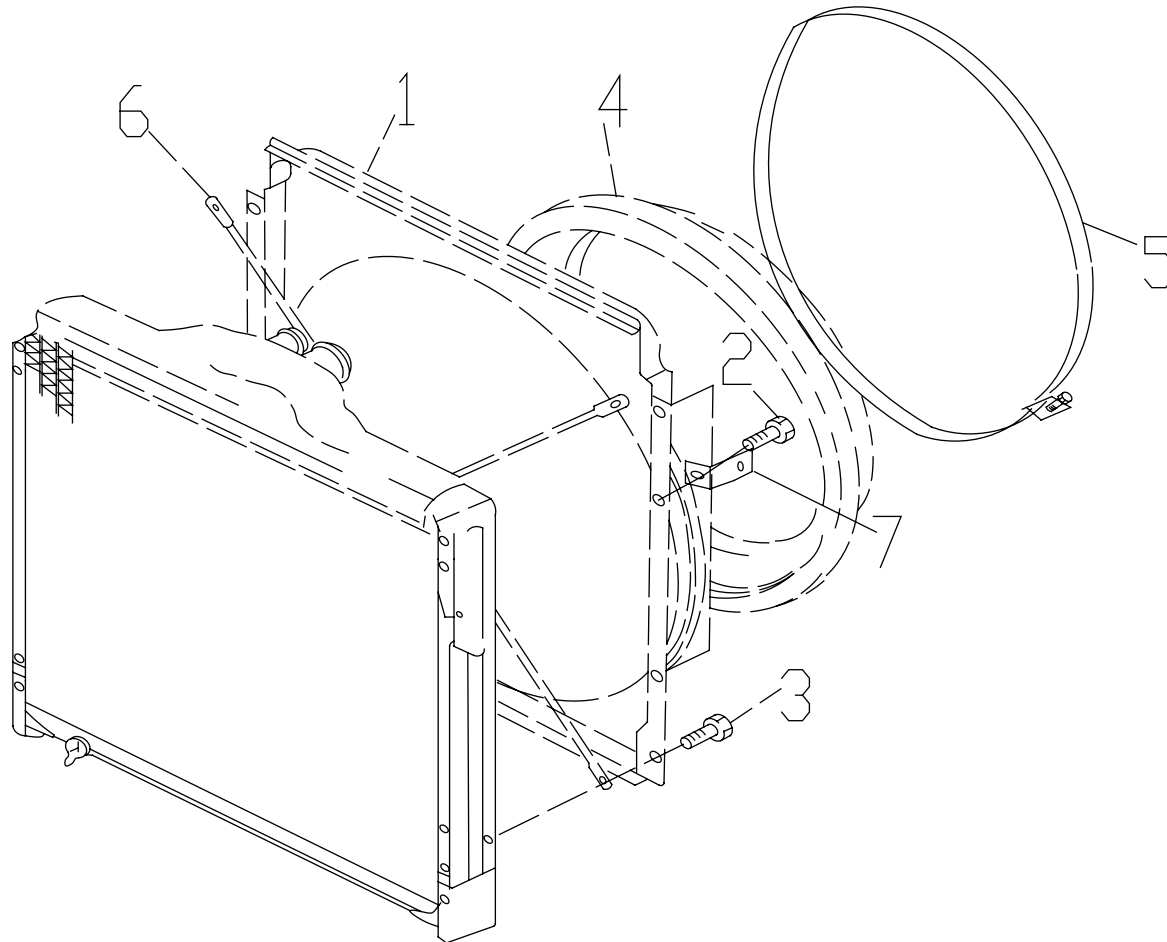
## 冷却系统 / COOLING SYSTEM

13-72

序号 No.	件号 Part No.	数量 Quantity	名称 Name	规格 Specification	适用产品 Products Applied	备注 Remark
15	Q340B12	2	I 型六角螺母 Hexagon Full Nut			
16	Q150B1230	2	六角头螺栓 Hexagon Head Bolt			
17	Q40308	2	弹簧垫圈 Spring Washer			
18	Q340B08	2	I 型六角螺母 Hexagon Full Nut			
19	Q150B0830	2	六角头螺栓 Hexagon Head Bolt			

## 风扇护风罩组图 / FAN SHROUD SET

13-Z



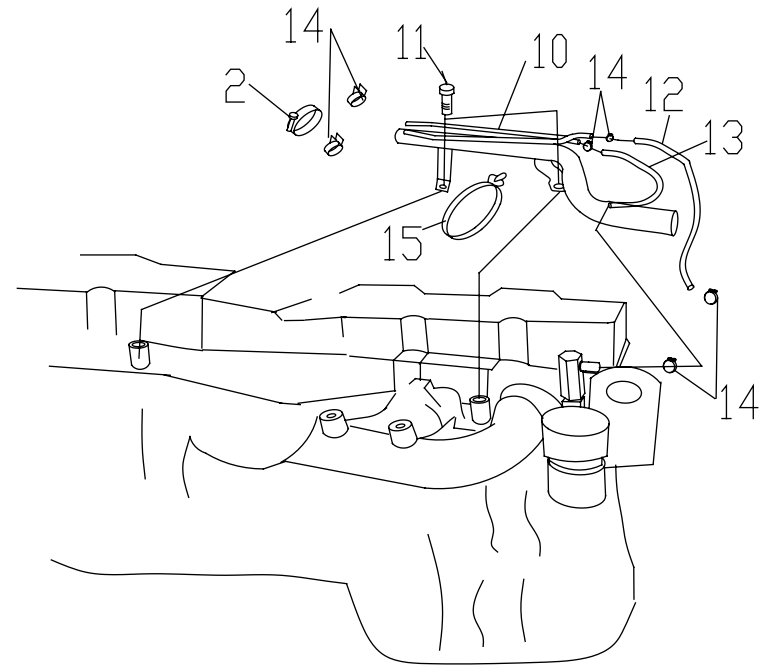
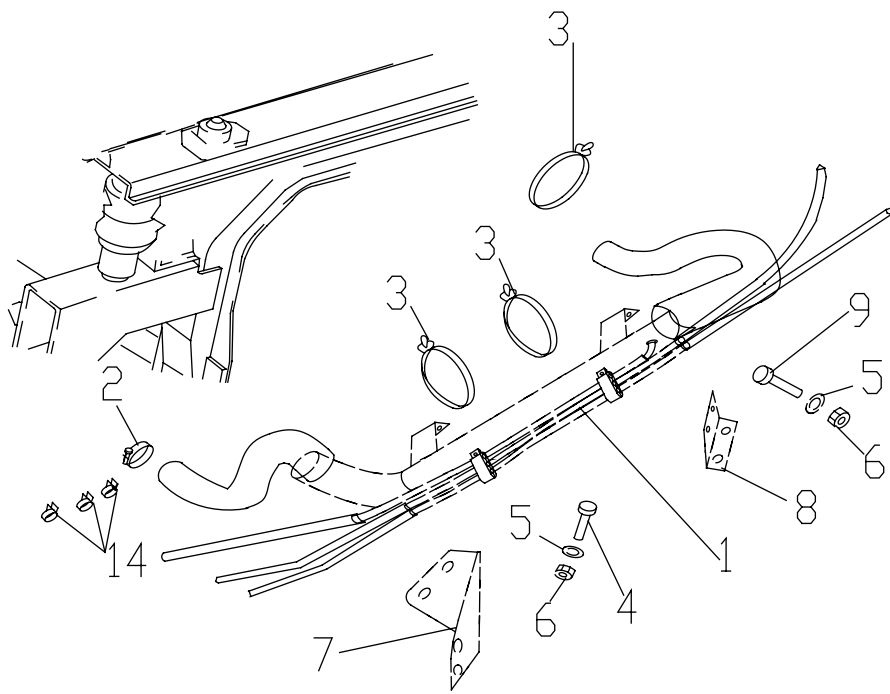
# 冷却系统 / COOLING SYSTEM

13-74

序号 No.	件号 Part No.	数量 Quantity	名称 Name	规格 Specification	适用产品 Products Applied	备注 Remark
1	1309AD-010	1	风扇护风罩总成 Fan Shroud Assembly		C230,C260,C300	
2	Q1460820	6	六角头螺栓 Hexagon Head Bolt			
3	Q1460830	2	六角头螺栓 Hexagon Head Bolt			
4	13A4D-09011	1	橡胶圈 Rubber Ring		C230,C260,C300	
5	Q675650	1	A型蜗杆传动式软管环箍 A Type Worm Transmission Hose Snap Ring			
6	13AD-09016	1	十字架 Cross Rack		C230,C260,C300	
7	11A4D-08051	1	管夹支架 I Tube Clamp Bracket I		C230,C260,C300	

## 过渡水管组图 / TRANSITION WATER PIPE SET

## 13-AA





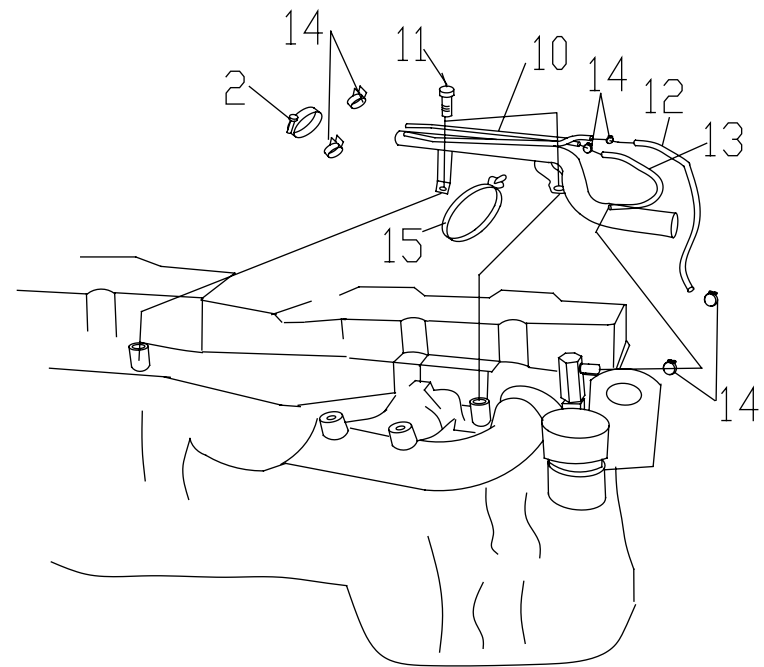
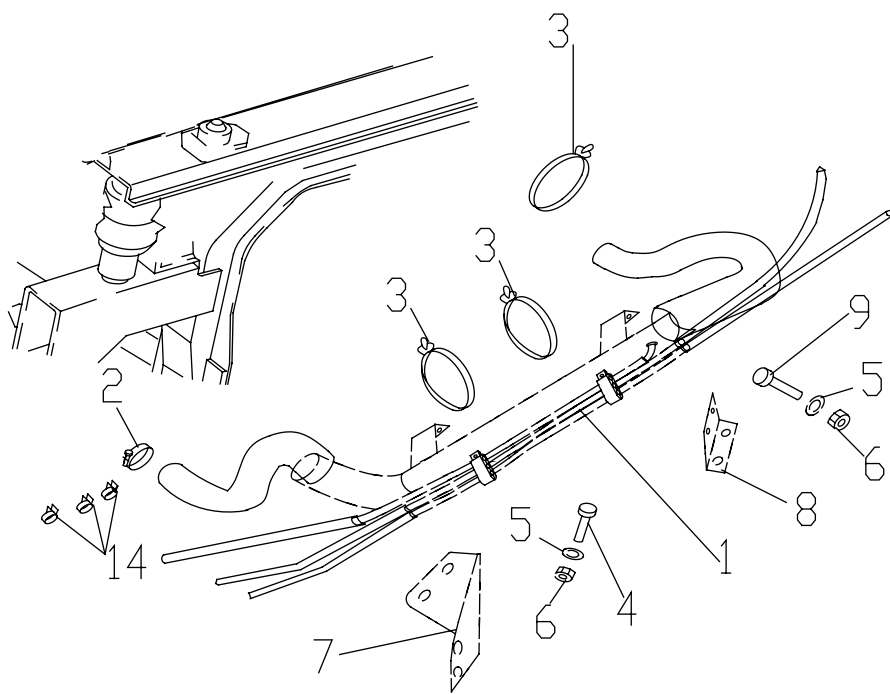
# 冷却系统 / COOLING SYSTEM

13-76

序号 No.	件号 Part No.	数量 Quantity	名称 Name	规格 Specification	适用产品 Products Applied	备注 Remark
1	13A4D-11040	1	连接管总成 B Connecting Pipe Assembly B		WD615.56,WD615.50,WD615.44	
2	Q67545	2	A 型蜗杆传动式软管环箍 A Type Worm Transmission Hose Snap Ring			
3	Q67407250	3	塑料紧箍带 Plastic Band			
4	Q150B0816	4	六角头螺栓 Hexagon Head Bolt			
5	Q40308	8	弹簧垫圈 Spring Washer			
6	Q340B08	8	I 型六角螺母 Hexagon Full Nut			
7	13AD-11041	1	左支架 - 连接管总成 B Bracket LH-Connecting Pipe Assembly B		WD615.56,WD615.50,WD615.44	
8	13AD-11042	1	右支架 - 连接管总成 B Bracket RH-Connecting Pipe Assembly B		WD615.56,WD615.50,WD615.44	
9	Q150B0820	4	六角头螺栓 Hexagon Head Bolt			
10	13A2D-11015	1	连接管总成 A Connecting Pipe Assembly A		WD615.56,WD615.50,WD615.44	
11	Q1460825	2	六角头螺栓 Hexagon Head Bolt			
12	13A4D-11012	1	胶管 B Rubber Tube B		WD615.56,WD615.50,WD615.44	
13	13A4D-11013	1	胶管 C Rubber Tube C		WD615.56,WD615.50,WD615.44	
14	Q67520	9	A 型蜗杆传动式软管环箍 A Type Worm Transmission Hose Snap Ring			

## 过渡水管组图 / TRANSITION WATER PIPE SET

## 13-AA



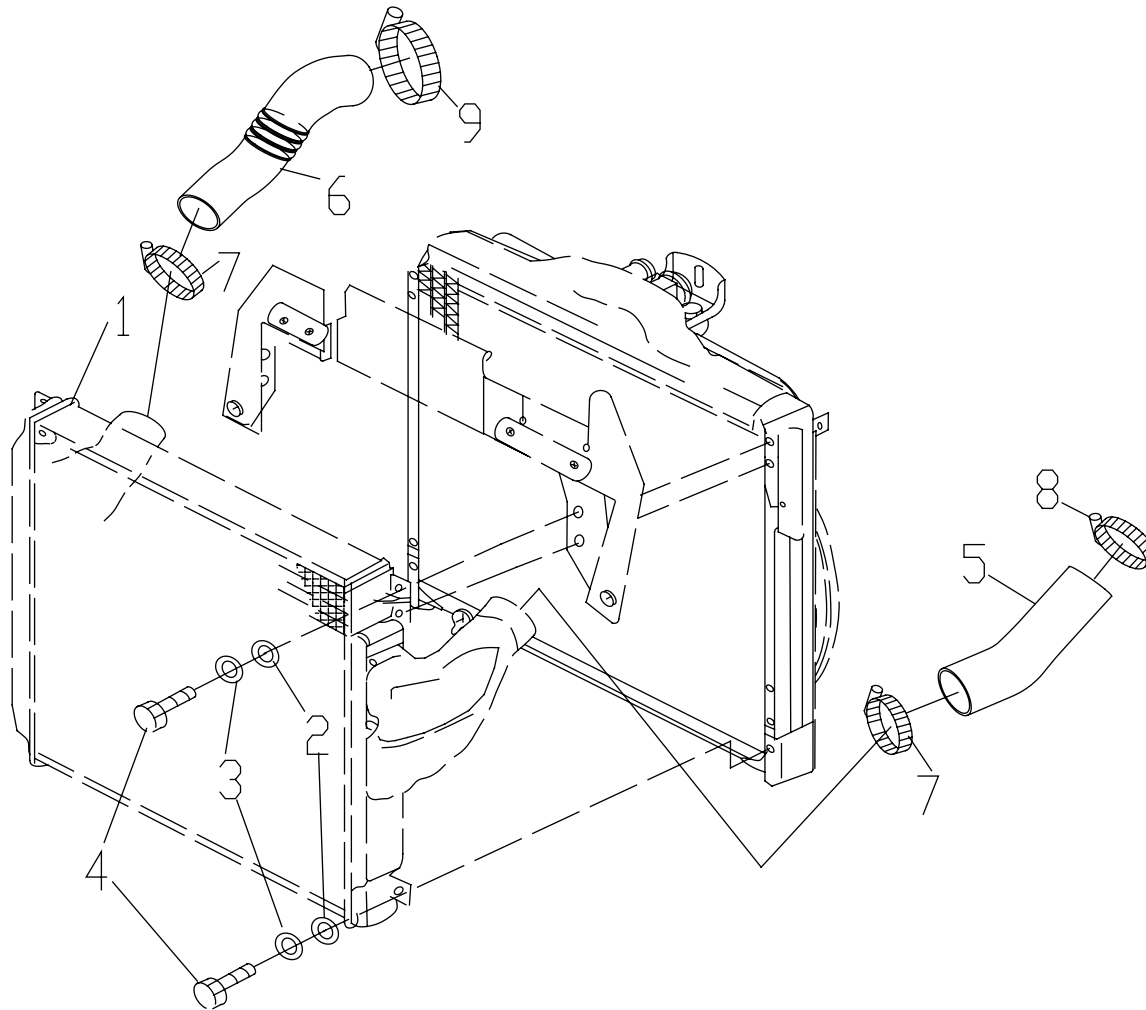
冷却系统 / COOLING SYSTEM

13-78

序号 No.	件号 Part No.	数量 Quantity	名称 Name	规格 Specification	适用产品 Products Applied	备注 Remark
15	Q67407300	1	塑料紧箍带 Plastic Band			

## 增压中冷器组图 / SUPERCHARGING INTERCOOLER SET

13-AB



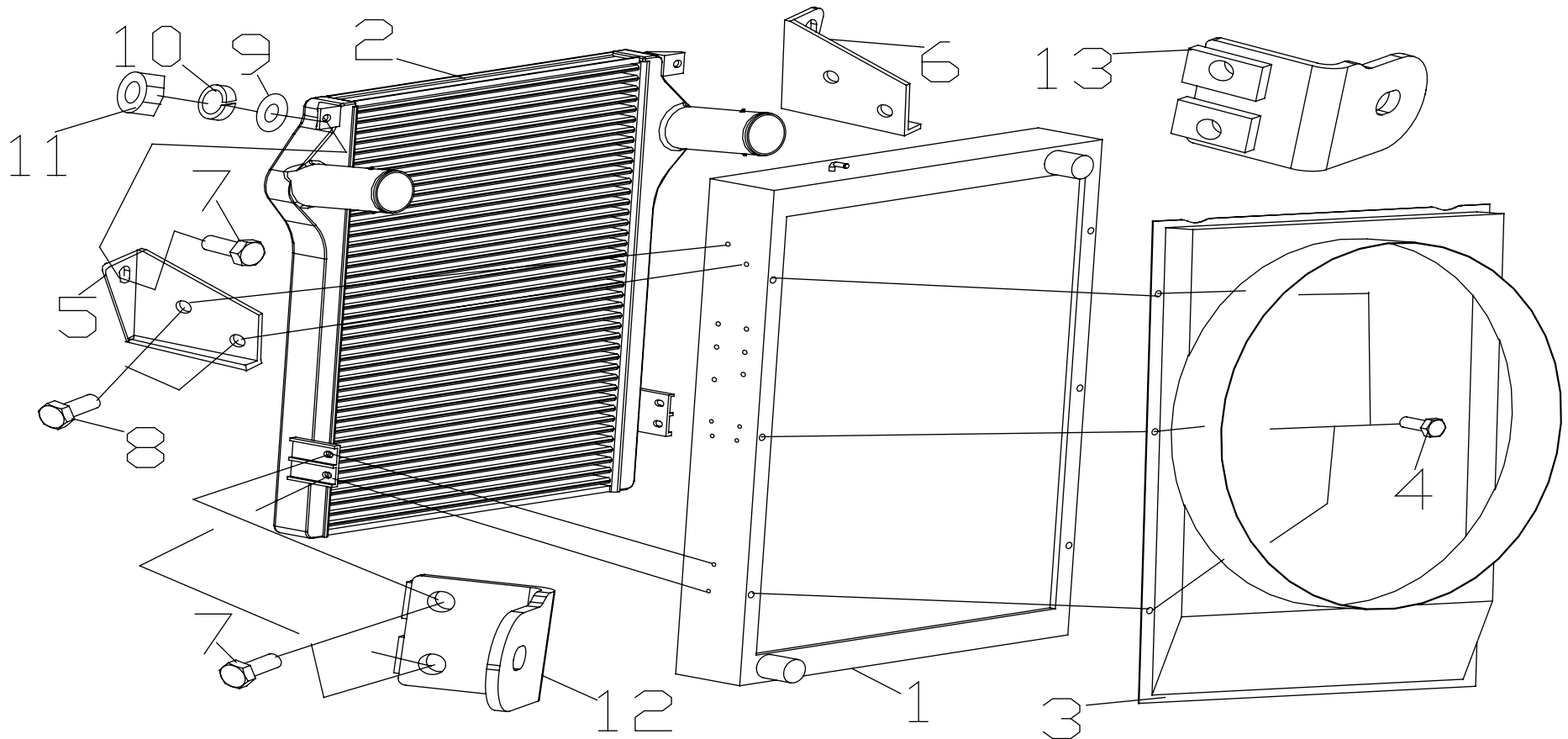
## 冷却系统 / COOLING SYSTEM

13-80

序号 No.	件号 Part No.	数量 Quantity	名称 Name	规格 Specification	适用产品 Products Applied	备注 Remark
1	1119A2D-010	1	增压中冷器总成 Supercharging Intercooler Assembly		WD615.56,WD615.50,WD615.44	
2	Q40108	6	平垫圈 Plate Washer			
3	Q40308	6	弹簧垫圈 Spring Washer			
4	Q150B0825	6	六角头螺栓 Hexagon Head Bolt			
5	11A2D-19011	1	增压中冷器进气管 Supercharging Intercooler Intake Tube		WD615.56,WD615.50,WD615.44	
6	11A2D-19014	1	增压中冷器出气管 Supercharging Intercooler Outlet Tube		WD615.56,WD615.50,WD615.44	
7	11A2D-19026	2	φ 98T 型卡箍 φ 98T Type Retaining Ring			
8	11A4D-19027	1	φ 90T 型卡箍 φ 90T Type Retaining Ring			
9	11A2D-19027	1	φ 110T 型卡箍 φ 110T Type Retaining Ring			

## 散热器和中冷器组图 / RADIATOR AND INTERCOOLER SET

## 13-AC



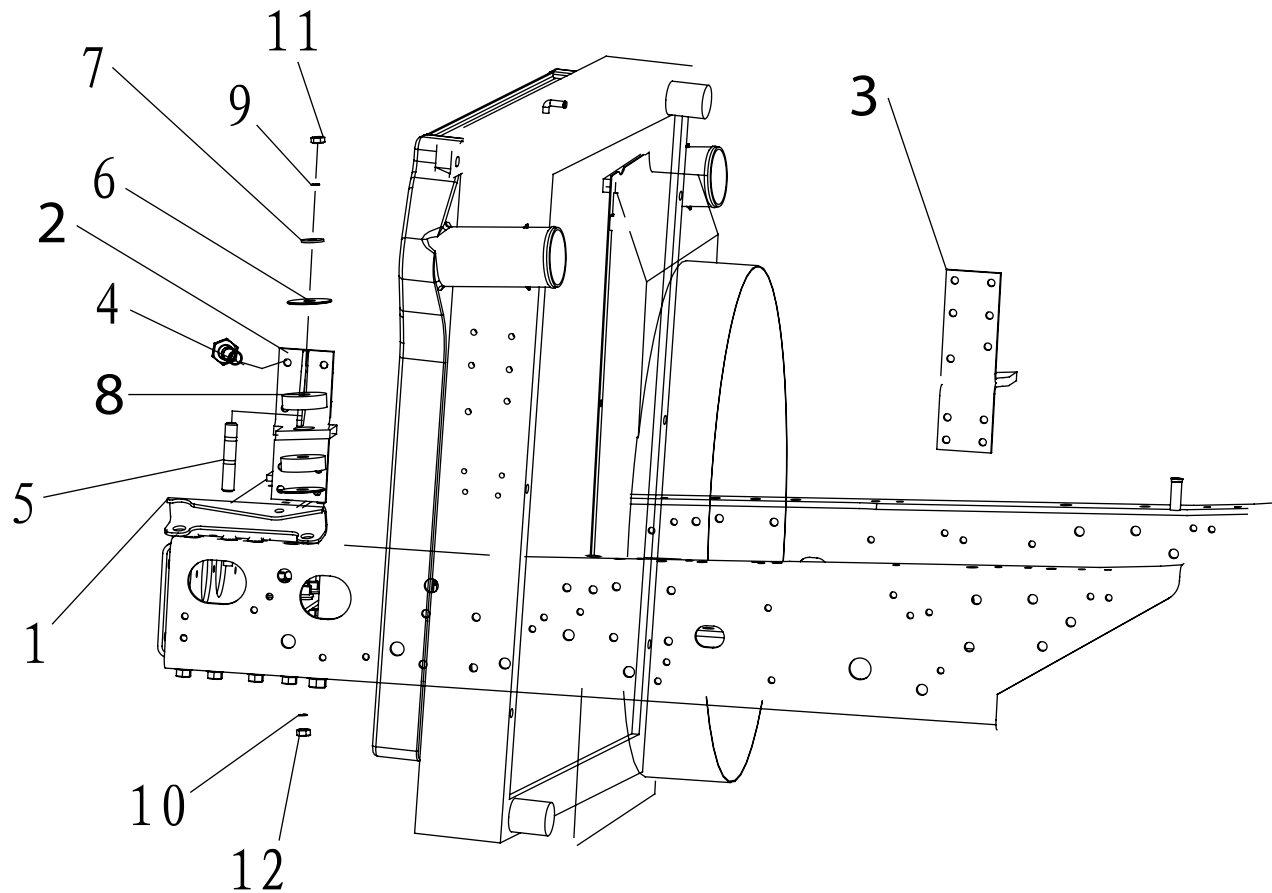
## 冷却系统 / COOLING SYSTEM

13-82

序号 No.	件号 Part No.	数量 Quantity	名称 Name	规格 Specification	适用产品 Products Applied	备注 Remark
1	1301A5D-010	1	散热器总成 Radiator Assembly		WD615.34,WD615.46	
2	1119A5D-010	1	增压中冷器总成 Supercharging Intercooler Assembly		WD615.34,WD615.46	
3	1309A5D-010	1	风扇护风罩总成 Fan Shroud Assembly		WD615.34,WD615.46	
4	Q1460820	6	六角头平弹垫组合螺栓 Hexagon Combination Bolt With Spring And Plain Washer			
5	11A5D-19021	1	中冷器左上支架 Intercooler Upper Bracket LH		WD615.34,WD615.46	
6	11A5D-19022	1	中冷器右上支架 Intercooler Upper Bracket RH		WD615.34,WD615.46	
7	Q1461035	6	六角头螺栓 Hexagon Head Bolt			
8	Q1461020	4	六角头螺栓 Hexagon Head Bolt			
9	Q40210	2	大垫圈 Big Washer			
10	Q40310	2	弹簧垫圈 Spring Washer			
11	Q340B10	2	I型六角螺母 Hexagon Full Nut			
12	11A5D-19023	1	中冷器左下支架 Intercooler Lower Bracket LH		WD615.34,WD615.46	
13	11A5D-19024	1	中冷器右下支架 Intercooler Lower Bracket RH		WD615.34,WD615.46	

## 散热器支撑组图 / RADIATOR SUPPORT SET

13-AD





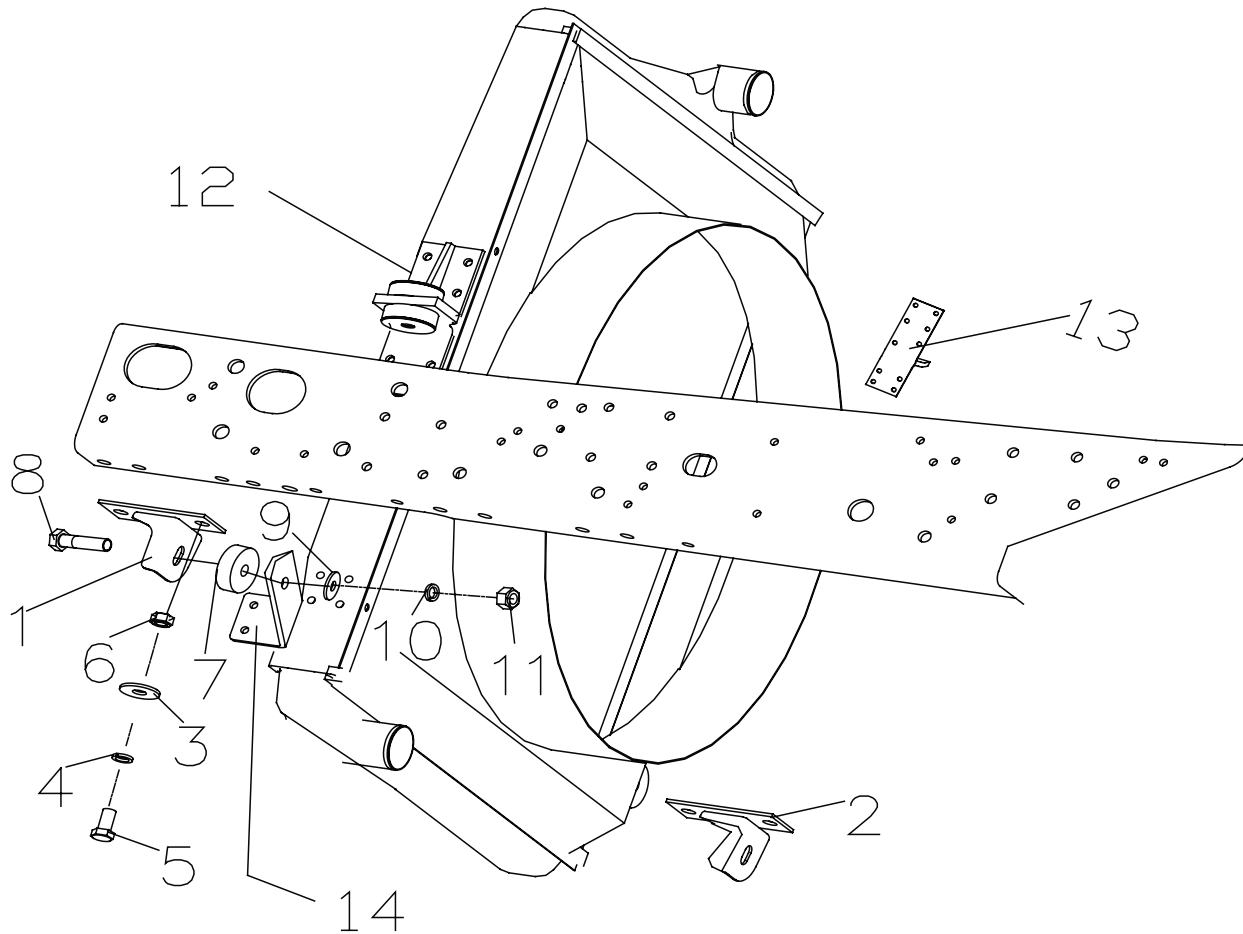
## 冷却系统 / COOLING SYSTEM

13-84

序号 No.	件号 Part No.	数量 Quantity	名称 Name	规格 Specification	适用产品 Products Applied	备注 Remark
1	13A5D-02011	1	散热器过渡支架 Radiator Transition Bracket		WD615.34,WD615.46	
2	13A5D-02012	1	散热器左支架 Radiator Bracket LH		WD615.34,WD615.46	
3	13A5D-02016	1	散热器右支架 Radiator Bracket RH		WD615.34,WD615.46	
4	Q1460820	20	六角头平弹垫组合螺栓 Hexagon Combination Bolt With Spring And Plain Washer			
5	13A5D-02013	2	双头螺杆 Stud Bolt		WD615.34,WD615.46	
6	13AD-02013	4	垫片 Shim			
7	Q40212	2	大垫圈 Big Washer			
8	13AD-02012	4	软垫 Pad			
9	Q40310	2	弹簧垫圈 Spring Washer			
10	Q40312	2	弹簧垫圈 Spring Washer			
11	Q340B10	2	I型六角螺母 Hexagon Full Nut			
12	Q341C12	2	I型六角螺母 Hexagon Full Nut			

## 散热器固定组图 / RADIATOR FIXING SET

13-AE



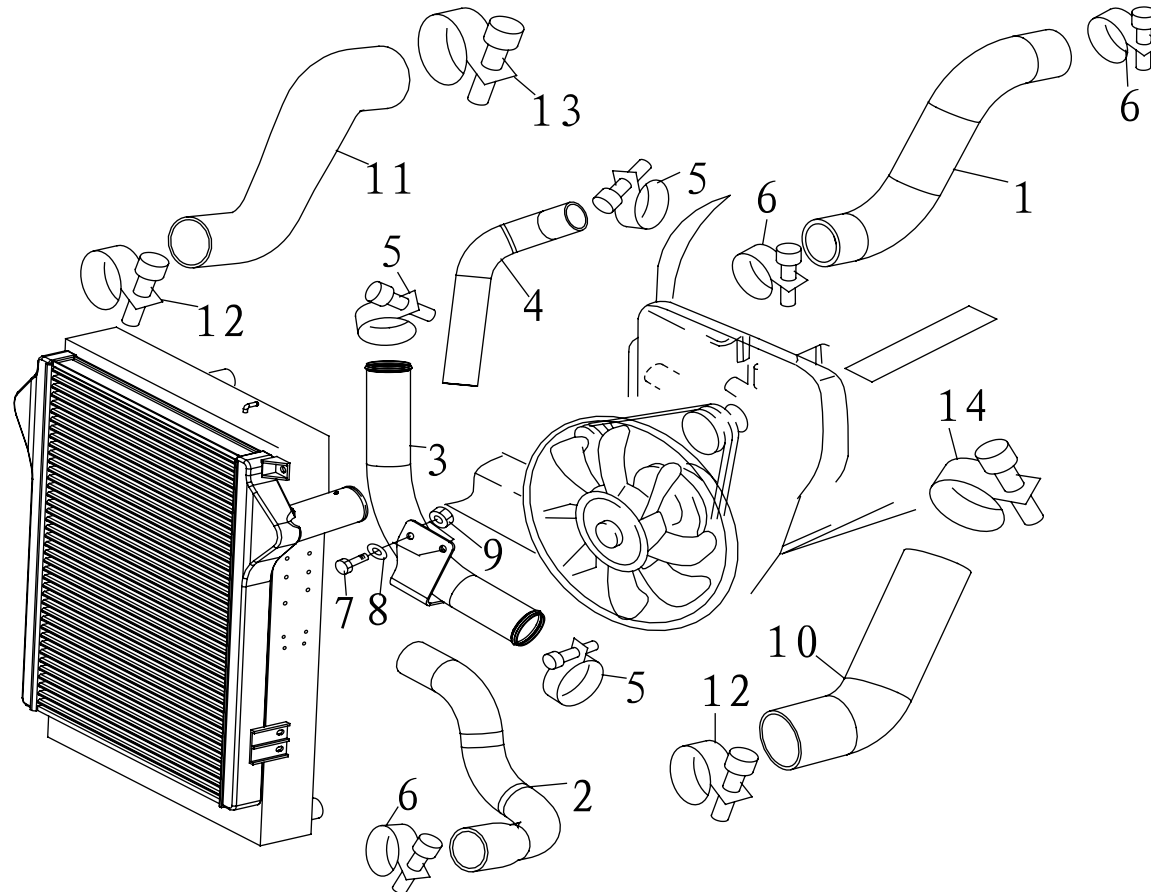
## 冷却系统 / COOLING SYSTEM

13-86

序号 No.	件号 Part No.	数量 Quantity	名称 Name	规格 Specification	适用产品 Products Applied	备注 Remark
1	13A28D-02020	1	散热器左下支架总成 Radiator Lower Bracket Assembly LH		YC6A240-20,YC6A260-20	
2	13A28D-02025	1	散热器右下支架总成 Radiator Lower Bracket Assembly RH		YC6A240-20,YC6A260-20	
3	Q40212	4	大垫圈 Big Washer			
4	Q40312	4	弹簧垫圈 Spring Washer			
5	Q150B1230	4	六角头螺栓 Hexagon Head Bolt			
6	Q340B12	4	I型六角螺母 Hexagon Full Nut			
7	13AD-02012	2	软垫 Pad			
8	Q150B1455	2	六角头螺栓 Hexagon Head Bolt			
9	Q40114	2	平垫圈 Plate Washer			
10	Q40314	2	弹簧垫圈 Spring Washer			
11	Q340B14	2	I型六角螺母 Hexagon Full Nut			
12	13A28D-02012	1	散热器左支架 Radiator Left Bracket		YC6A240-20,YC6A260-20	
13	13A28D-02013	1	散热器右支架 Radiator Right Bracket		YC6A240-20,YC6A260-20	
14	13A28D-02031		散热器下支架 Radiator Lower Bracket		YC6A240-20,YC6A260-20	

## 冷却水气管路组图 / COOLING WATER AND AIR PIPELINE SET

13-AF



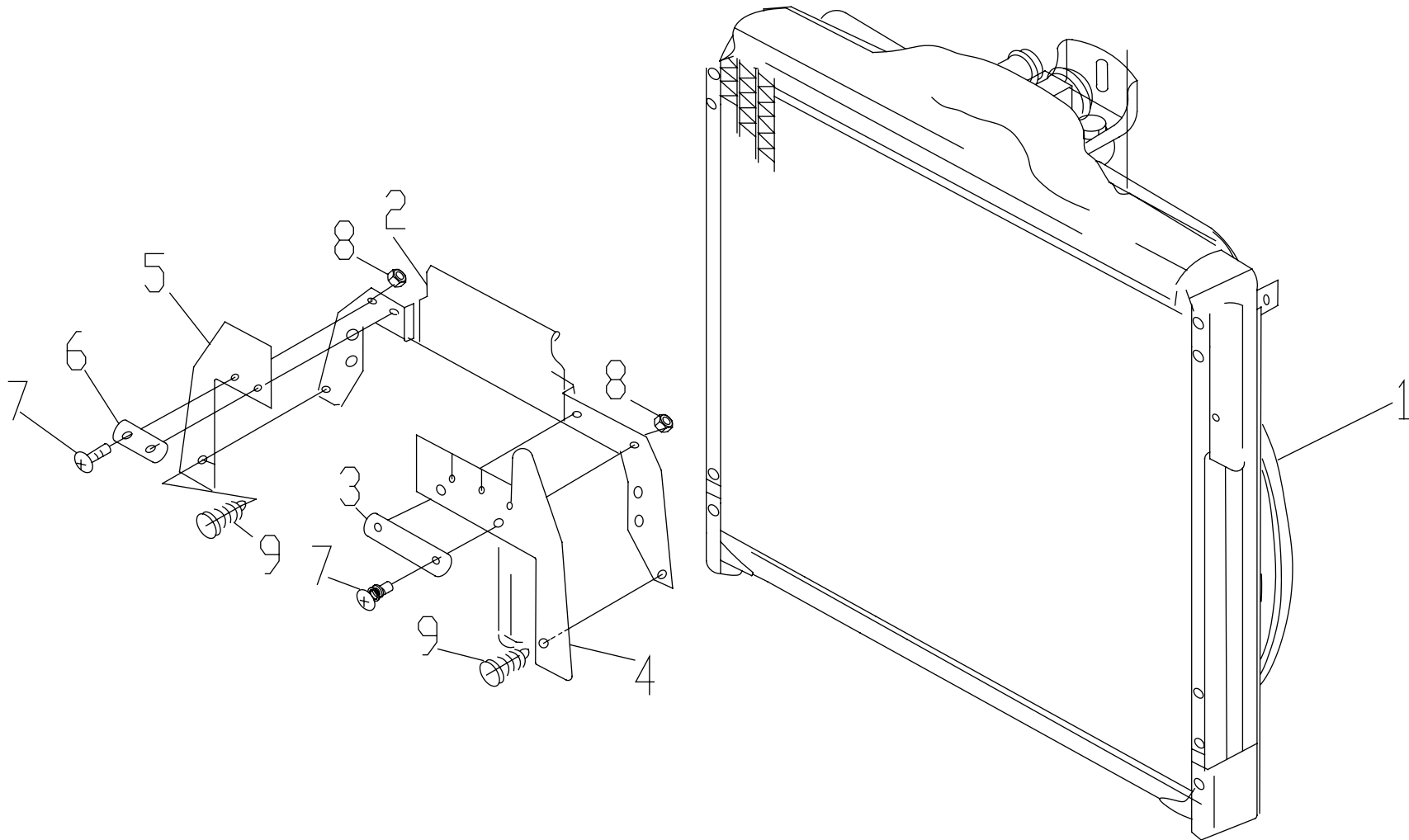
## 冷却系统 / COOLING SYSTEM

13-88

序号 No.	件号 Part No.	数量 Quantity	名称 Name	规格 Specification	适用产品 Products Applied	备注 Remark
1	13A5D-03011	1	散热器进水管 Radiator Water Inlet Pipe		WD615.34,WD615.46	
2	13A5D-03013	1	散热器出水管 Radiator Water Outlet Pipe		WD615.34,WD615.46	
3	13A2D-03020	1	散热器出水钢管总成 Radiator Water Outlet Steel Tube Assembly		WD615.34,WD615.46	
4	13A2D-03014	1	发动机进水管 Engine Water Inlet Pipe		WD615.34,WD615.46	
5	Q67560	3	A型蜗杆传动式软管环箍 A Type Worm Transmission Hose Snap Ring			
6	Q67570	3	A型蜗杆传动式软管环箍 A Type Worm Transmission Hose Snap Ring			
7	Q150B1025	2	六角头螺栓 Hexagon Head Bolt			
8	Q40310	2	弹簧垫圈 Spring Washer			
9	Q340B10	2	I型六角螺母 Hexagon Full Nut			
10	11A5D-19011	1	增压中冷器进气管 Supercharging Intercooler Inlet Tube		WD615.34,WD615.46	
11	11A5D-19014	1	增压中冷器出气管 Supercharging Intercooler Outlet Tube		WD615.34,WD615.46	
12	11A2D-19026	2	φ98T型卡箍 φ98T Type Retaining Ring			
13	11A2D-19027	1	φ110T型卡箍 φ110T Type Retaining Ring			
14	11A4D-19027	1	φ90T型卡箍 φ90T Type Retaining Ring			

## 散热器和挡板组图 / RADIATOR AND BAFFLE SET

13-AG



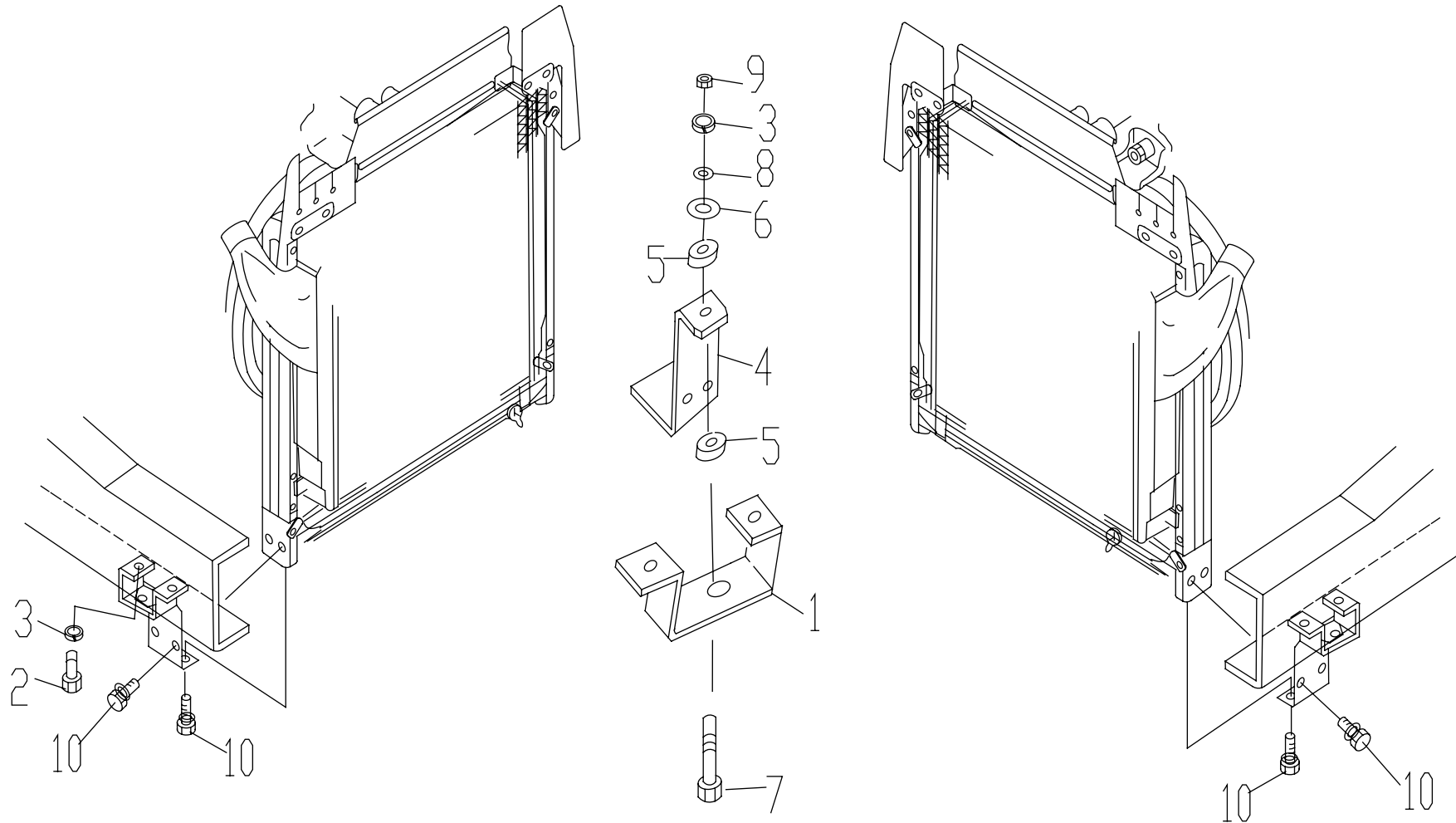
冷却系统 / COOLING SYSTEM

13-90

序号 No.	件号 Part No.	数量 Quantity	名称 Name	规格 Specification	适用产品 Products Applied	备注 Remark
1	1301A7DZ-010	1	散热器总成 Radiator Assembly		C230	
	1301A2D-010	1	散热器总成 Radiator Assembly		WD615.56,WD615.50,WD615.44	
2	13A4D-01020	1	上挡板总成 Upper Baffle Assembly			
3	13AD-01021	1	橡胶片 A Rubber Plate A			
4	13AD-01022	1	橡胶片 B Rubber Plate B			
5	13AD-01023	1	橡胶片 C Rubber Plate C			
6	13AD-01024	1	橡胶片 D Rubber Plate D			
7	Q2360516	4	螺钉 Screw			
8	Q340B05	4	I 型六角螺母 Hexagon Full Nut			
9	57B1-02073	2	塑料卡扣 C Plastic Buckle C			

## 散热器悬置组图 / RADIATOR MOUNTING SET

13-AH





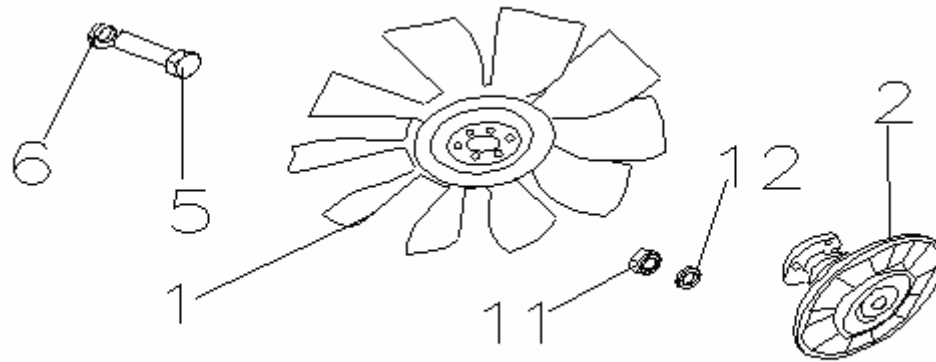
冷却系统 / COOLING SYSTEM

13-92

序号 No.	件号 Part No.	数量 Quantity	名称 Name	规格 Specification	适用产品 Products Applied	备注 Remark
1	113AD-02010	2	下支架总成 - 散热器悬置 Lower Bracket Assembly-Radiator Mounting			
2	Q150B1235	4	六角头螺栓 Hexagon Head Bolt			
3	Q40312	6	弹簧垫圈 Spring Washer			
4	13A10D-02011	2	下支架 Lower Bracket		C325	
5	13AD-02012	4	软垫 Pad			
6	13AD-02013	2	垫片 Shim			
7	Q150B1265	2	六角头螺栓 Hexagon Head Bolt			
8	Q40212	2	大垫圈 Big Washer			
9	Q340B12	2	I型六角螺母 Hexagon Full Nut			
10	Q1841020	8	六角法兰面螺栓 Hexagon Bolt With Flange			

## 冷却风扇组 / COOLING FAN SET

13-AI



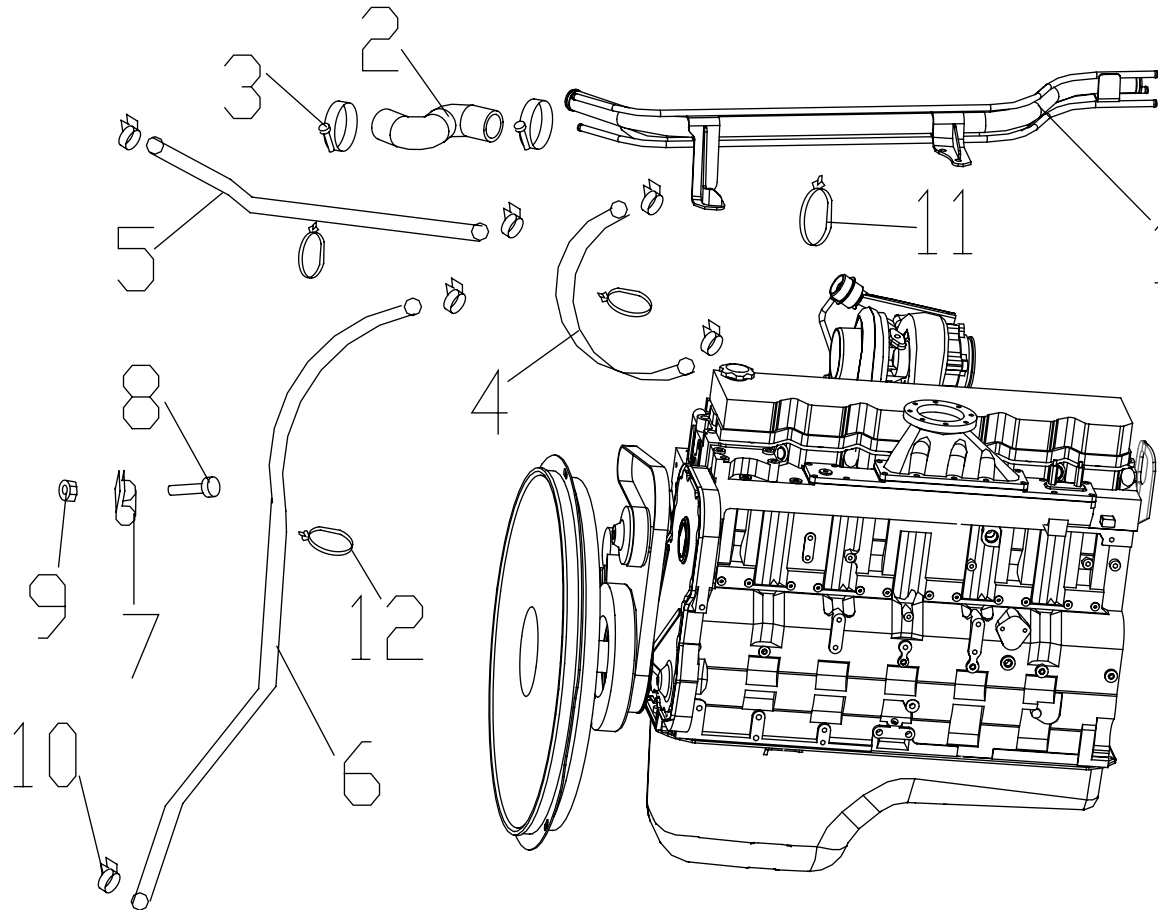
## 冷却系统 / COOLING SYSTEM

13-94

序号 No.	件号 Part No.	数量 Quantity	名称 Name	规格 Specification	适用产品 Products Applied	备注 Remark
1	1308A22D-010	1	风扇总成 Fan Assembly		C9-350HP	
2	1313A22D-010	1	风扇离合器总成 Fan Clutch Assembly		C9-350HP	
5	Q150B1030	6	六角头螺栓 Hexagon Head Bolt			
6	Q40310	6	弹簧垫圈 Spring Washer			
11	Q33008	6	六角法兰面自锁螺母 Hexagon Self Lock Nut With Flange			
12	Q40308	6	弹簧垫圈 Spring Washer			

## 过渡水管组 / TRANSITION WATER PIPE SET

13-AJ



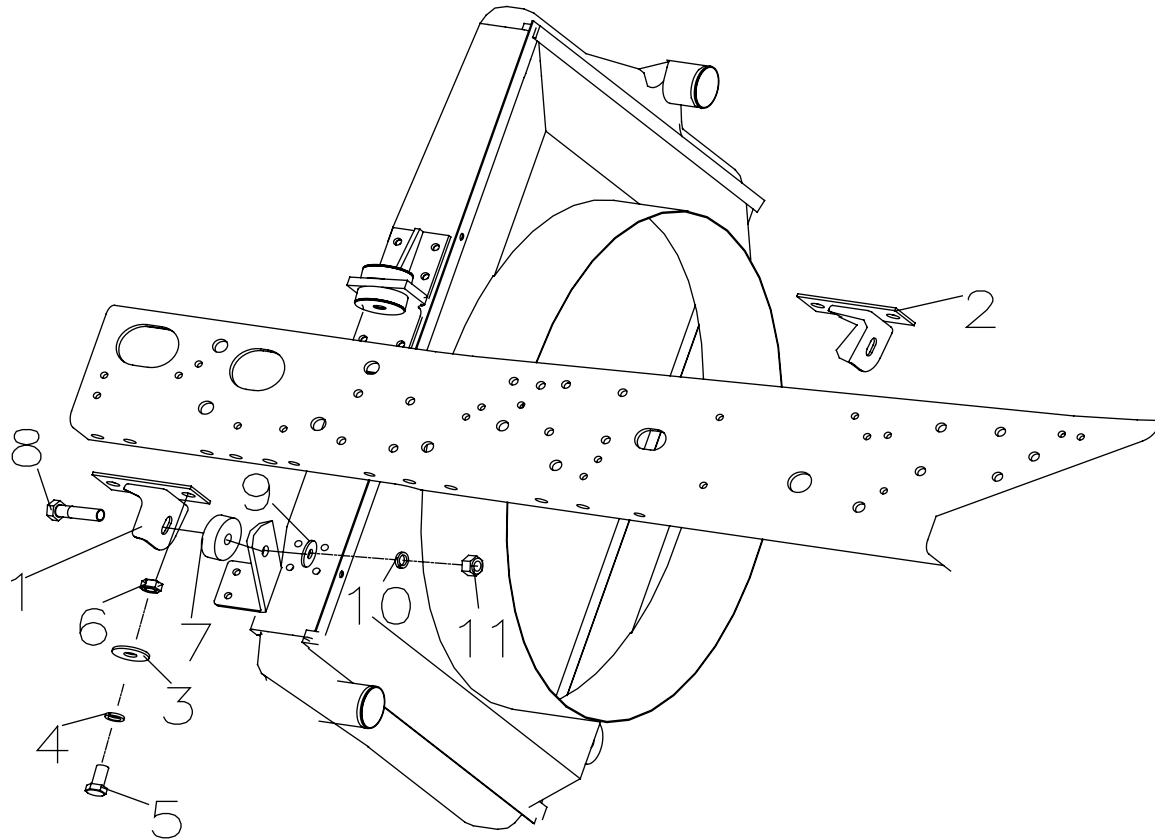
# 冷却系统 / COOLING SYSTEM

13-96

序号 No.	件号 Part No.	数量 Quantity	名称 Name	规格 Specification	适用产品 Products Applied	备注 Remark
1	13A22D-11015	1	连接管总成 A Connecting Pipe Assembly A		M11-350E20	
2	13A22D-11011	1	发动机加水管 Engine Water Filler Pipe		M11-350E20	
3	Q67550	2	A 型蜗杆传动式软管环箍 A Type Worm Transmission Hose Snap Ring			
4	13A4D-11013	1	胶管 C (发动机除气用) Rubber Tube C (For Engine Deaeration)			
5	13A4D-11014	1	胶管 D (散热器除气用) Rubber Tube D (For Radiator Deaeration)			
6	13A22D-11013	1	胶管 B (膨胀箱补水用) Rubber Tube B (For Waterfeed In Expansion Tank)			
7	Q68614	1	单管夹片 Single Tube Clamp Plate			
8	Q150B0612	1	六角头螺栓 Hexagon Head Bolt			
9	Q32006	1	六角法兰面螺母 Hexagon Nut With Flange			
10	Q67522	6	A 型蜗杆传动式软管环箍 A Type Worm Transmission Hose Snap Ring			
11	Q67407300	1	塑料紧箍带 Plastic Band			
12	Q67407160	3	塑料紧箍带 Plastic Band			

## 散热器固定组 / RADIATOR FIXING SET

13-AK



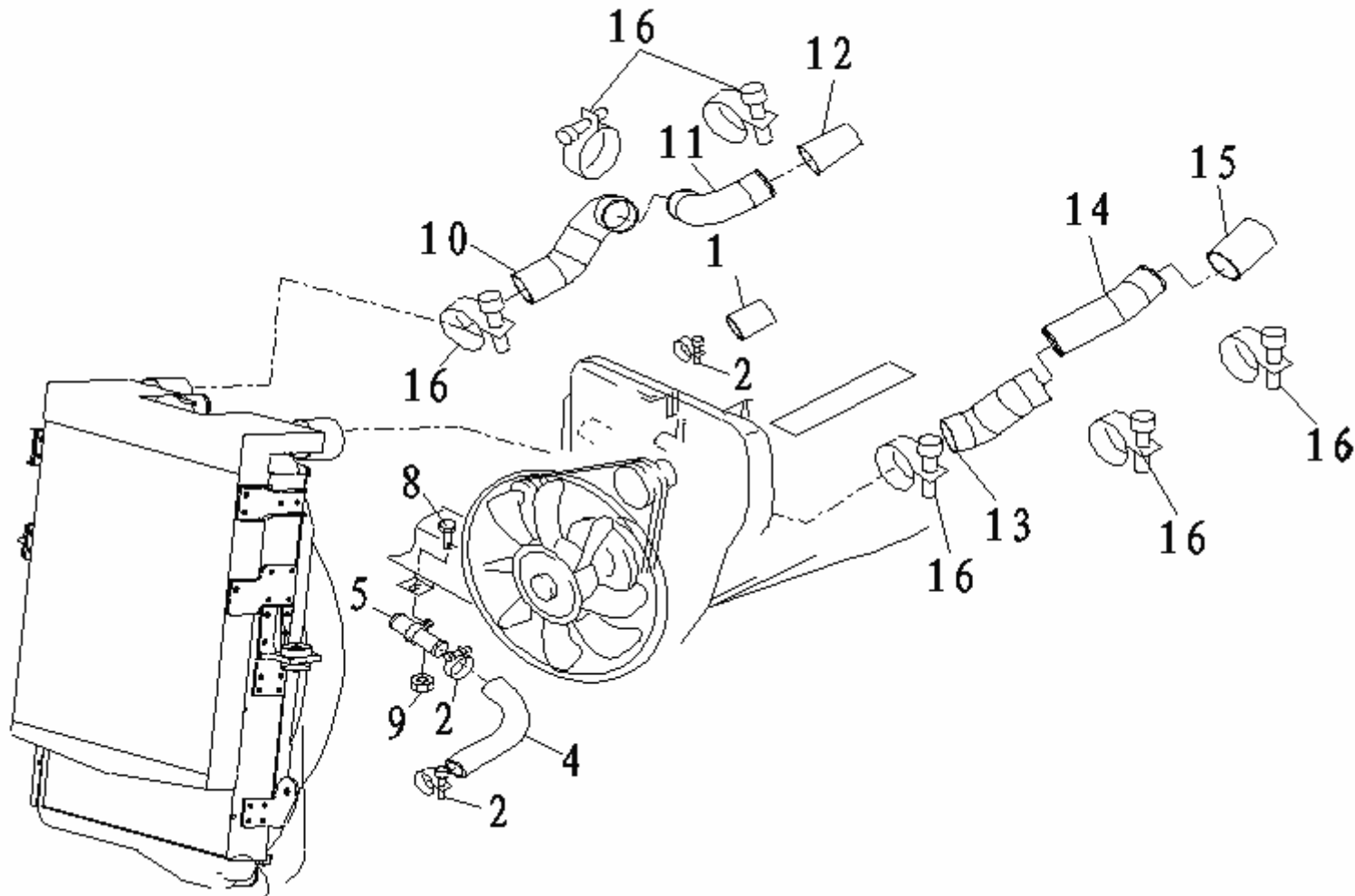
## 冷却系统 / COOLING SYSTEM

13-98

序号 No.	件号 Part No.	数量 Quantity	名称 Name	规格 Specification	适用产品 Products Applied	备注 Remark
1	13A28D-02020	1	散热器左下支架总成 Radiator Lower Bracket Assembly LH		YC6A240-20, YC6A260-20	
2	13A28D-02025	1	散热器右下支架总成 Radiator Lower Bracket Assembly RH		YC6A240-20, YC6A260-20	
3	Q40212	4	大垫圈 Big Washer			
4	Q40312	4	弹簧垫圈 Spring Washer			
5	Q150B1230	4	六角头螺栓 Hexagon Head Bolt			
6	Q340B12	4	I型六角螺母 Hexagon Full Nut			
7	13AD-02012	2	软垫 Pad			
8	Q150B1455	2	六角头螺栓 Hexagon Head Bolt			
9	Q40114	2	平垫圈 Plate Washer			
10	Q40314	2	弹簧垫圈 Spring Washer			
11	Q340B14	2	I型六角螺母 Hexagon Full Nut			

## 冷却水气管路组 / COOLING WATER AND AIR PIPELINE SET

13-AL





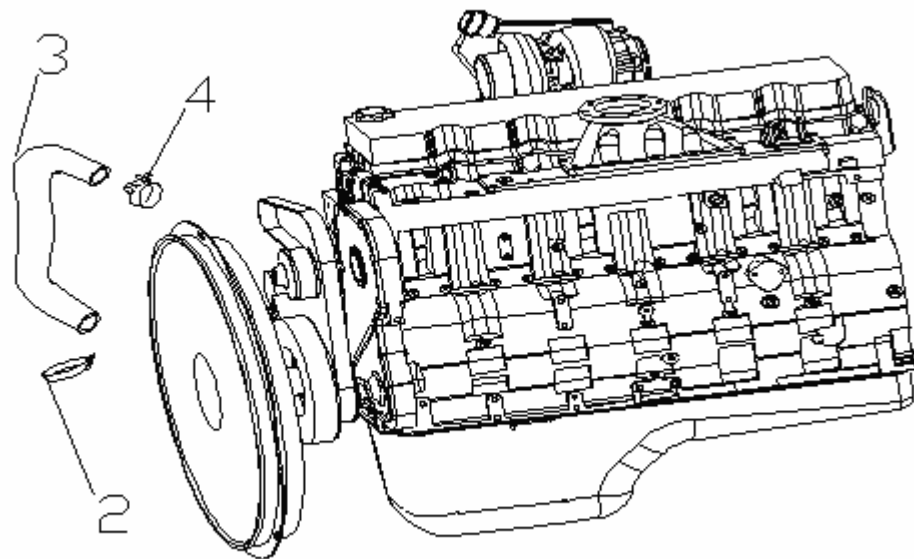
## 冷却系统 / COOLING SYSTEM

13-100

序号 No.	件号 Part No.	数量 Quantity	名称 Name	规格 Specification	适用产品 Products Applied	备注 Remark
1	13A28D-03011	1	散热器进水管 Radiator Water Inlet Pipe		YC6A240-20,YC6A260-20	
2	Q67580	2	A型蜗杆传动式软管环箍 A Type Worm Transmission Hose Snap Ring			
4	13A28D-03014	1	散热器出水管 Radiator Water Outlet Pipe		YC6A240-20,YC6A260-20	
5	13A28D-03020	1	发动机进水过渡钢管总成 Engine Water Inlet Transition Steel Tube Assembly		YC6A240-20,YC6A260-20	
8	Q1840820	1	六角头螺栓 Hexagon Head Bolt			
9	Q32008	1	六角法兰面螺母 Hexagon Nut With Flange			
10	11A28D-19011	1	增压中冷器出气管 Supercharging Intercooler Outlet Tube		YC6A240-20,YC6A260-20	
11	11A28D-19012	1	连接钢管 Connecting Steel Tube		YC6A240-20,YC6A260-20	
12	11A28D-19013	1	连接胶管 Connecting Rubber Tube		YC6A240-20,YC6A260-20	
13	11A28D-19014	1	增压中冷器出气管 Supercharging Intercooler Outlet Tube		YC6A240-20,YC6A260-20	
14	11A28D-19016	1	连接钢管 Connecting Steel Tube		YC6A240-20,YC6A260-20	
15	11A28D-19026	1	连接胶管 Connecting Rubber Tube		YC6A240-20,YC6A260-20	
16	11A4D-19028	6	φ 100T 型卡箍 φ 100T Type Retaining Ring			

## 发动机水气管路组 / ENGINE WATER AND AIR PIPELINE SET

## 13-AM



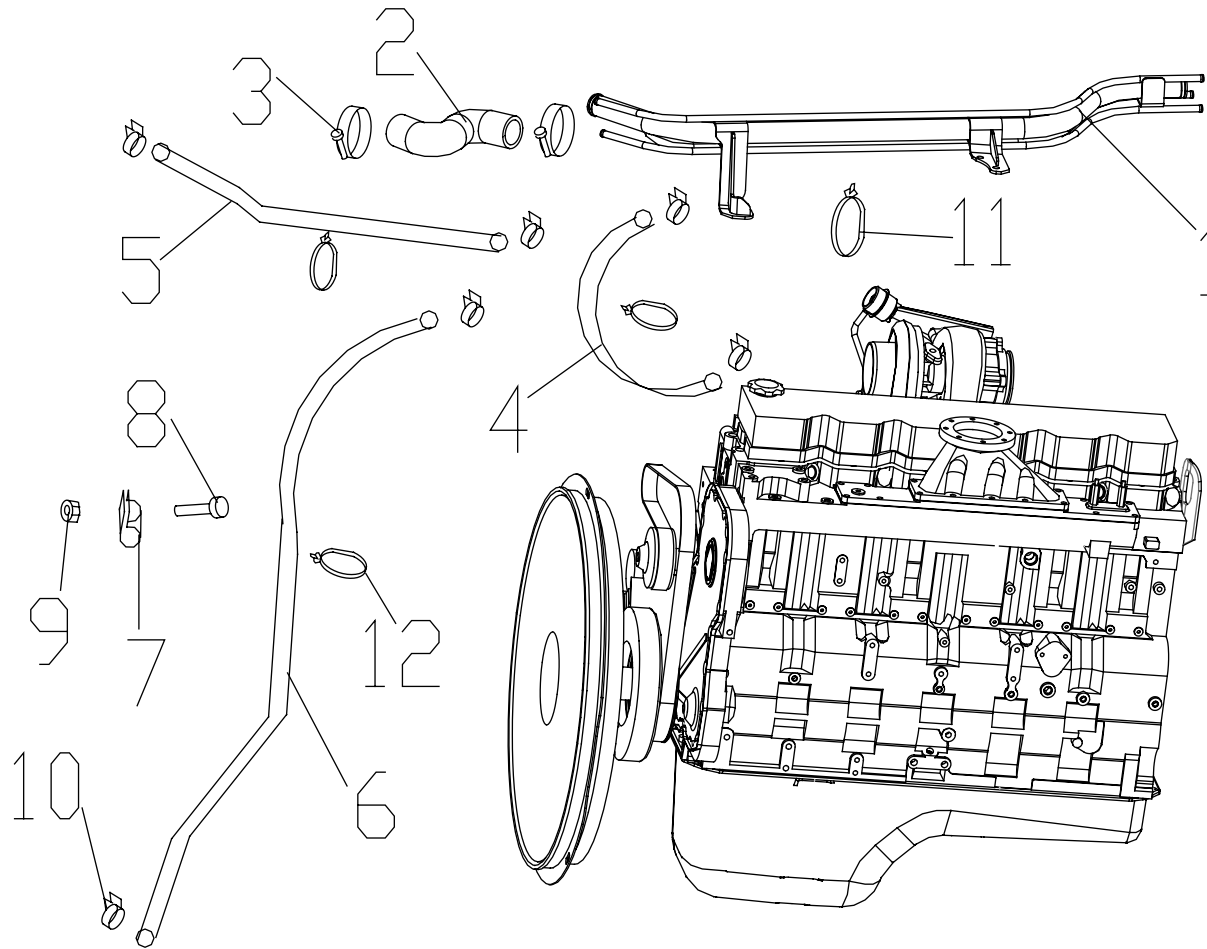
## 冷却系统 / COOLING SYSTEM

13-102

序号 No.	件号 Part No.	数量 Quantity	名称 Name	规格 Specification	适用产品 Products Applied	备注 Remark
2	Q67580	3	A 型蜗杆传动式软管环箍 A Type Worm Transmission Hose Snap Ring			
3	13A28D-03016	1	发动机进水管 Engine Water Inlet Pipe		YC6A240-20,YC6A260-20	
4	Q67570	1	A 型蜗杆传动式软管环箍 A Type Worm Transmission Hose Snap Ring			

## 过渡水管组 / TRANSITION WATER PIPE SET

13-AN



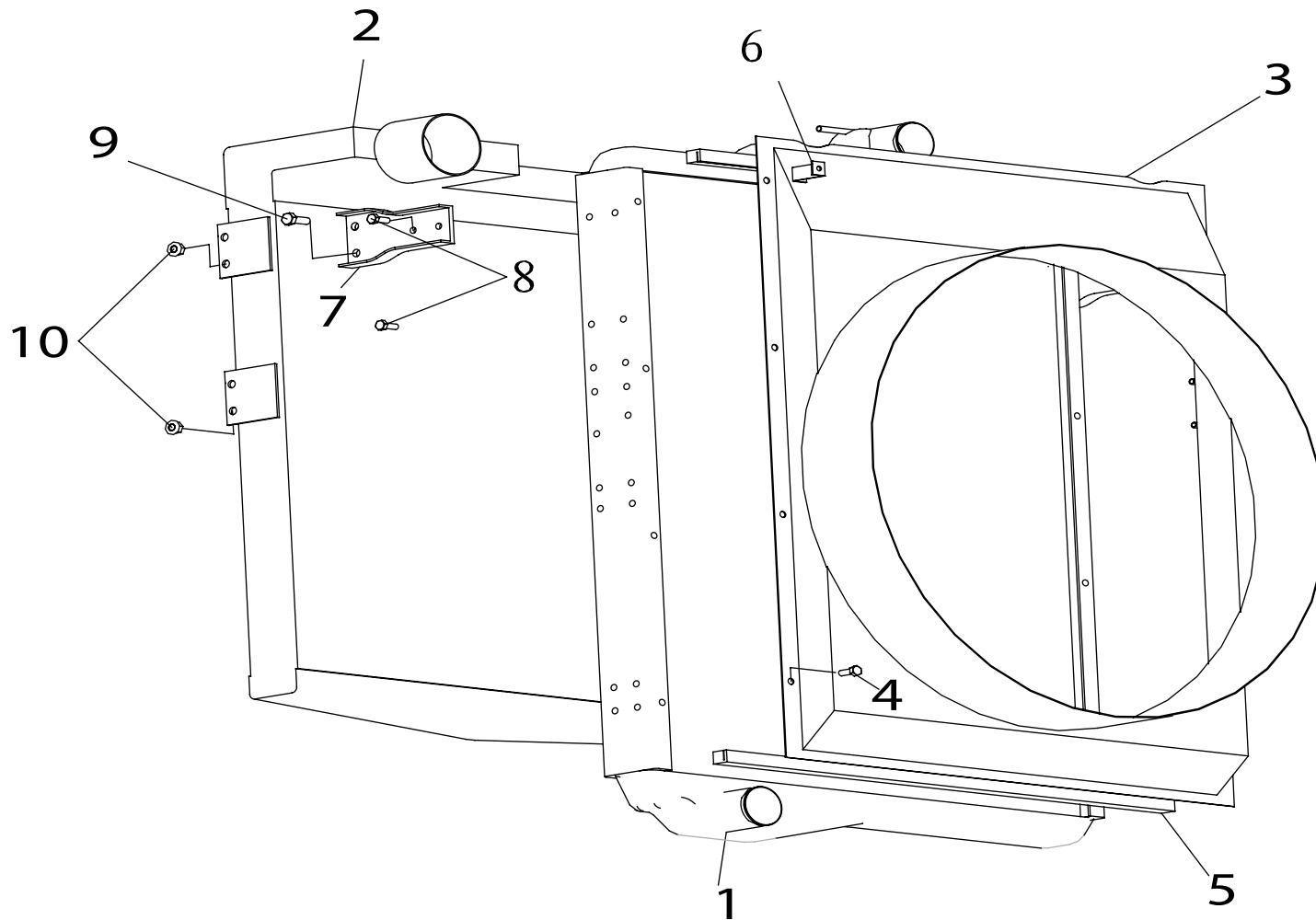
## 冷却系统 / COOLING SYSTEM

13-104

序号 No.	件号 Part No.	数量 Quantity	名称 Name	规格 Specification	适用产品 Products Applied	备注 Remark
1	13A28D-11015	1	连接管总成 A Connecting Pipe Assembly A		YC6A240-20, YC6A260-20	
2	13A28D-11011	1	发动机加水管 Engine Water Filler Pipe		YC6A240-20, YC6A260-20	
3	Q67550	2	A 型蜗杆传动式软管环箍 A Type Worm Transmission Hose Snap Ring			
4	13A4D-11013	1	胶管 C (发动机除气用) Rubber Tube C (For Engine Deaeration)			
5	13A4D-11014	1	胶管 D (散热器除气用) Rubber Tube D (For Radiator Deaeration)			
6	13A22D-11013	1	胶管 B (膨胀箱补水用) Rubber Tube B (For Waterfeed In Expansion Tank)		YC6A240-20, YC6A260-20	
7	Q68614	1	单管夹片 Single Tube Clamp Plate			
8	Q150B0612	1	六角头螺栓 Hexagon Head Bolt			
9	Q32006	1	六角法兰面螺母 Hexagon Nut With Flange			
10	Q67522	6	A 型蜗杆传动式软管环箍 A Type Worm Transmission Hose Snap Ring			
11	Q67407300	1	塑料紧箍带 Plastic Band			
12	Q67407160	3	塑料紧箍带 Plastic Band			

## 散热器和中冷器组 / RADIATOR AND INTERCOOLER SET

13-A0



## 冷却系统 / COOLING SYSTEM

13-106

序号 No.	件号 Part No.	数量 Quantity	名称 Name	规格 Specification	适用产品 Products Applied	备注 Remark
1	1301A28D-010	1	散热器总成 Radiator Assembly		YC6A240-20, YC6A260-20	
2	1119A28D-010	1	增压中冷器总成 Supercharging Intercooler Assembly		YC6A240-20, YC6A260-20	
3	1309A28D-010	1	风扇护风罩总成 Fan Shroud Assembly		YC6A240-20, YC6A260-20	
4	Q1460820	8	六角头平弹垫组合螺栓 Hexagon Combination Bolt With Spring And Plain Washer			
5	13A18D-01012	2	散热器密封胶条 Radiator Seal Strip		YC6A240-20, YC6A260-20	
6	37AD-34032	1	支架 Bracket			
7	11A28D-19021	2	中冷器上支架 Intercooler Upper Bracket		YC6A240-20, YC6A260-20	
8	Q1460820	12	六角头平弹垫组合螺栓 Hexagon Combination Bolt With Spring And Plain Washer			
9	Q1461025	4	六角头平弹垫组合螺栓 Hexagon Combination Bolt With Spring And Plain Washer			
10	Q32010	8	六角法兰面螺母 Hexagon Nut With Flange			



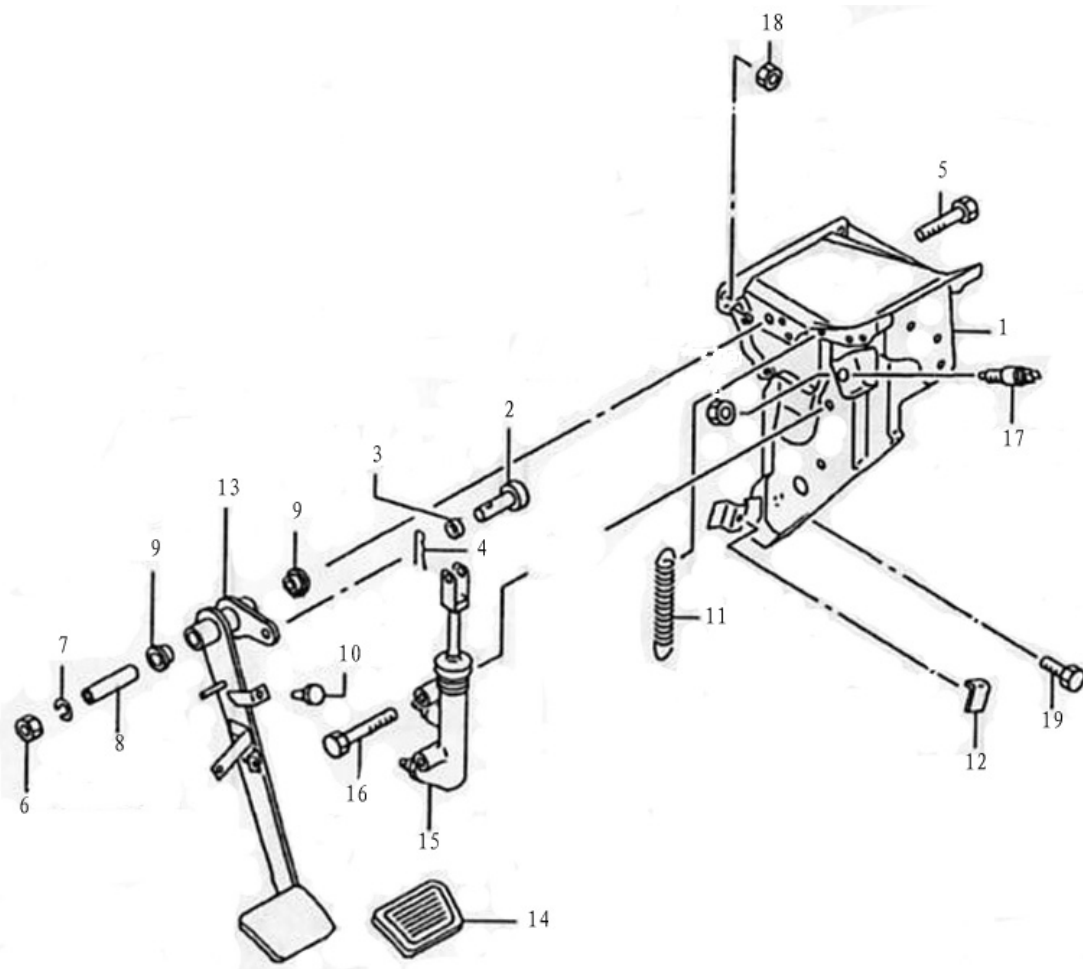


16

**离合器及其操纵系统**  
***CLUTCH AND***  
***OPERATING SYSTEM***

## 离合器操纵装置图 / CLUTCH OPERATING

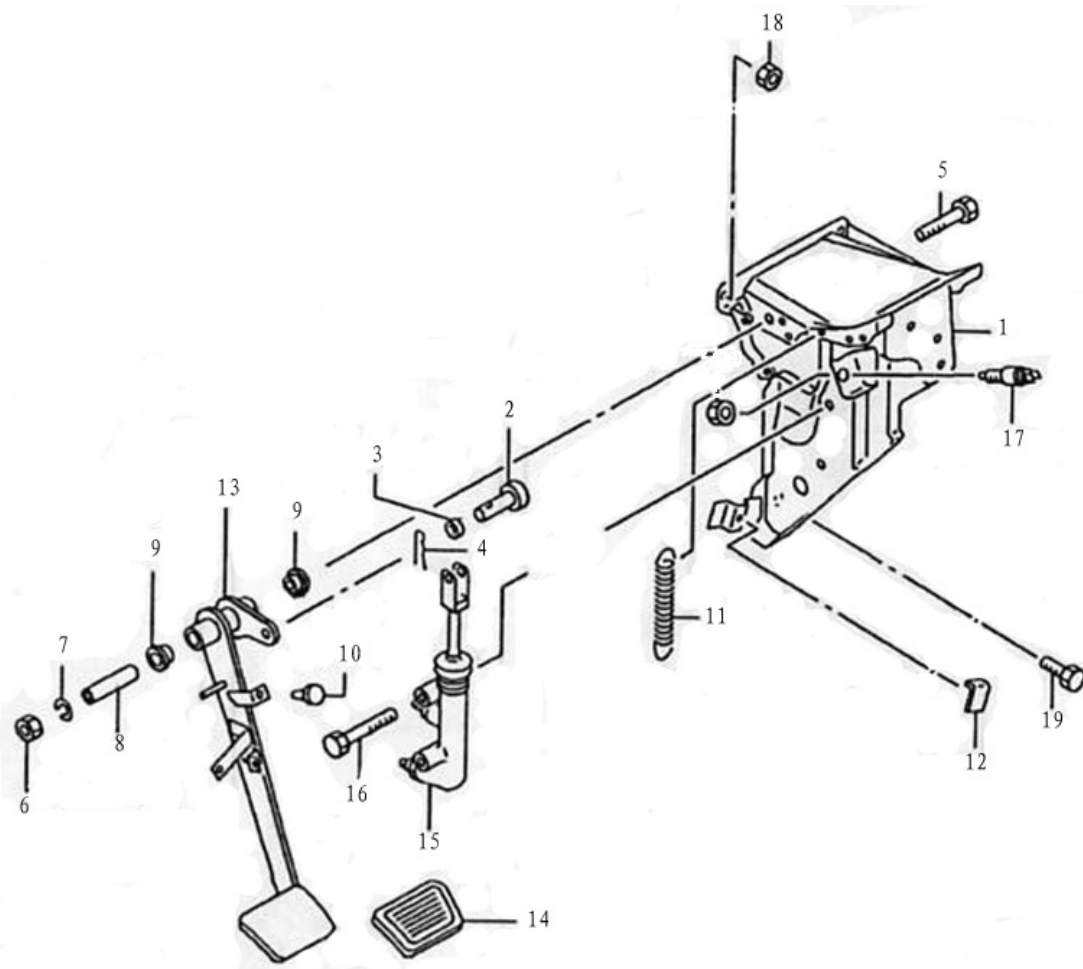
16-A



序号 No.	件号 Part No.	数量 Quantity	名称 Name	规格 Specification	适用产品 Products Applied	备注 Remark
1	1602A01-02000(H)	1	踏板支架焊接件 Pedal Bracket Welding Part			
2	Q5101026	1	轴销 Shaft Pin			
3	1602A01-00002	1	隔套 Spacing Sleeve			
4	Q50110	1	锁销 Lock Pin			
5	Q151C10100	1	六角头螺栓 Hexagon Head Bolt			细牙 Fine
6	Q341C10	1	I型六角螺母 Hexagon Full Nut			细牙 Fine
7	Q40610	1	弹簧垫圈 Spring Washer			
8	1602A01-00008	1	衬套 Bushing			
9	1602A01-00004	2	尼龙衬套 Nylon Bushing			
10	1602A01-00006	1	自锁垫 Self Lock Pad			
11	1602A01-00007	1	拉簧 Tension Spring			
12	1602A01-00009	1	橡胶垫块 Rubber Mat			
13	1602A01-01000(H)	1	踏板摇臂焊接件 Pedal Rocker Arm Welding Part			
14	1602A01-00003	1	脚踏板橡胶套 Pedal Rubber Sleeve			

## 离合器操纵装置图 / CLUTCH OPERATING

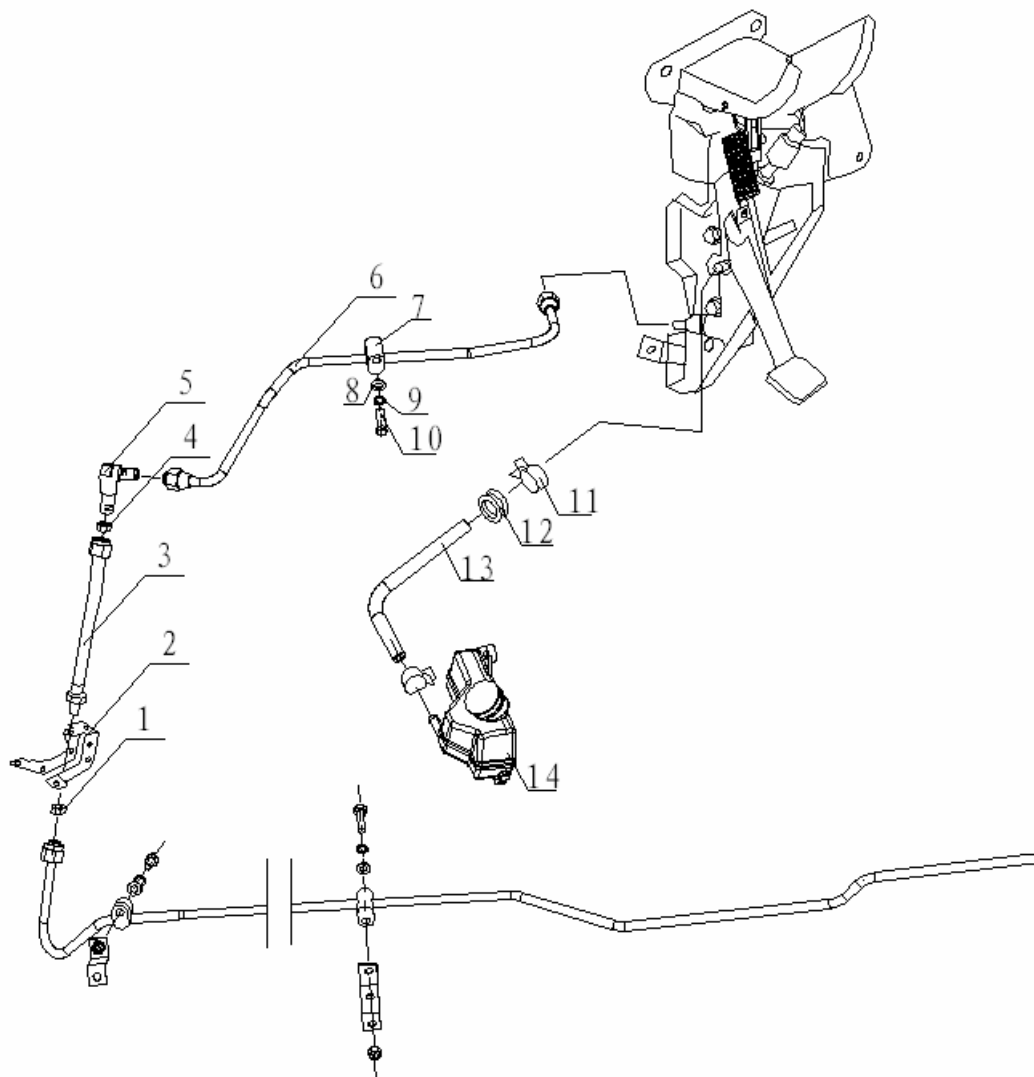
16-A



序号 No.	件号 Part No.	数量 Quantity	名称 Name	规格 Specification	适用产品 Products Applied	备注 Remark
15	1608A4D-010	1	离合器总泵 Master Cylinder Of Clutch		国产动力系列 Domestic Engine Series	
	1608AD-010	1	离合器总泵 Master Cylinder Of Clutch		进口动力系列 Import Engine Series	
16	Q150B1040	2	六角头螺栓 Hexagon Head Bolt			
17	37AD-77010	1	离合器踏板开关 Clutch Pedal Switch			常闭 N.C.
18	Q32008	2	六角法兰面螺母 Hexagon Nut With Flange			
19	Q1460820	3	六角弹平垫组合螺栓 Hexagon Combination Bolt W/Spring And Plain Washer			

## 离合器油路操纵装置图一 / CLUTCH OIL CIRCUIT OPERATING I

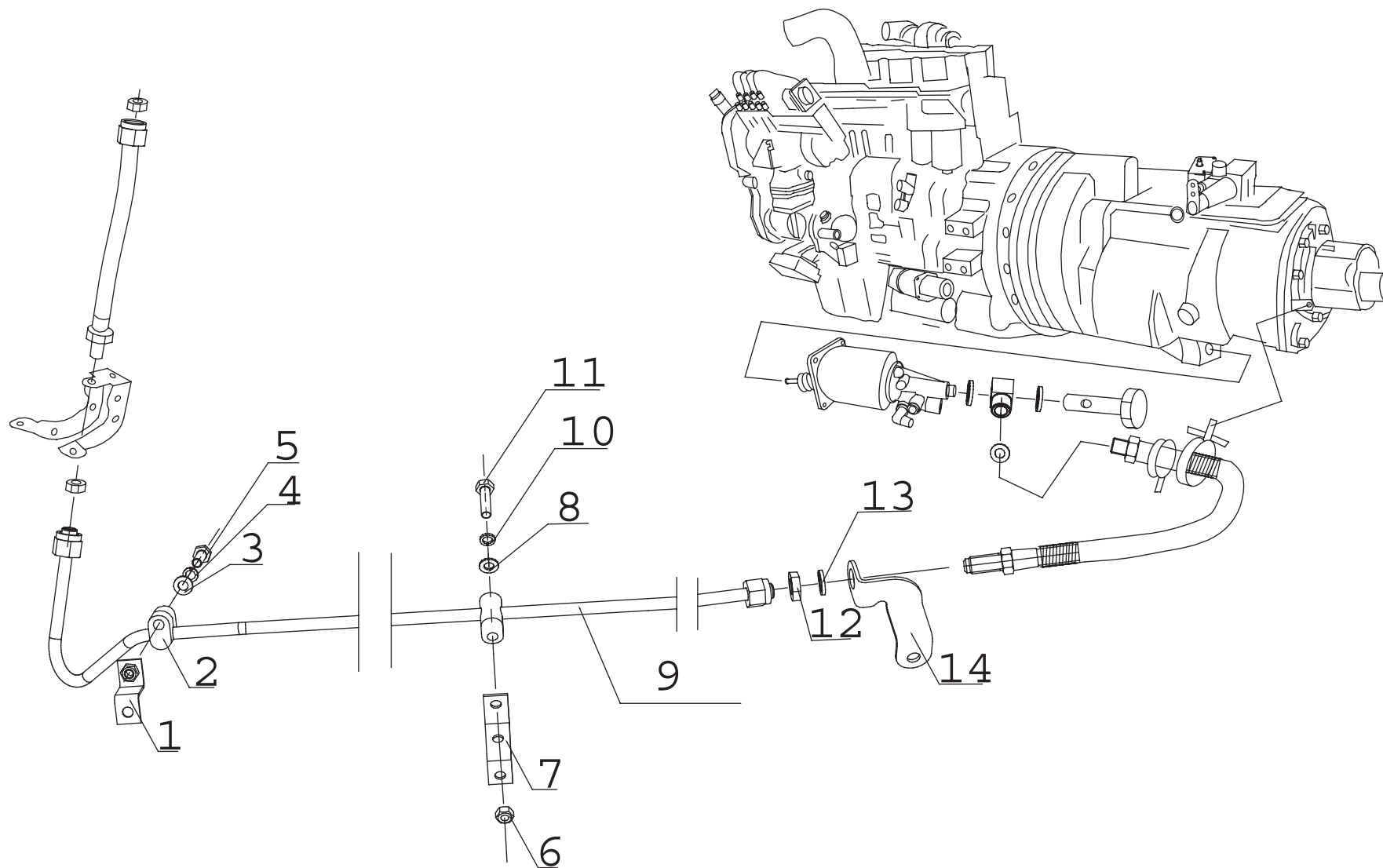
16-B



序号 No.	件号 Part No.	数量 Quantity	名称 Name	规格 Specification	适用产品 Products Applied	备注 Remark
1	Q80216	1	卡套式管接头用六角薄螺母 Hexagon Thin Nut For Ferrule-Type Tube Connector			
2	16AD-07028	1	支架 Bracket			
3	16A3D-07027	1	软管 Hose	470mm	五十铃、斯太尔、康明斯 L 动力系列 ISUZU, STEYR, CUMMINS L Engine Series	
4	Q80214	1	卡套式管接头用六角薄螺母 Hexagon Thin Nut For Ferrule-Type Tube Connector			
5	16AD-07025	1	扩口隔壁式直角管接头体 Flared Square Tube Connector			
6	16AD-07022	1	钢管 Steel Pipe			
7	37AD-33027	1	定位夹 Locating Clip			
8	Q40108	1	平垫圈 Plate Washer			
9	Q40308	1	弹簧垫圈 Spring Washer			
10	Q150B0835	1	六角头螺栓 Hexagon Head Bolt			
11	Q673B138	2	钢带弹性环箍 Steel Strip Elastic Snap Ring			
12	16AD-05015	1	橡胶保护套 Rubber Protective Sleeve			
13	16AD-05014	1	软管 Hose			
14	1605AD-010	1	储液罐 Reservoir			

离合器油路操纵装置图二 / CLUTCH OIL CIRCUIT OPERATING II

16-C

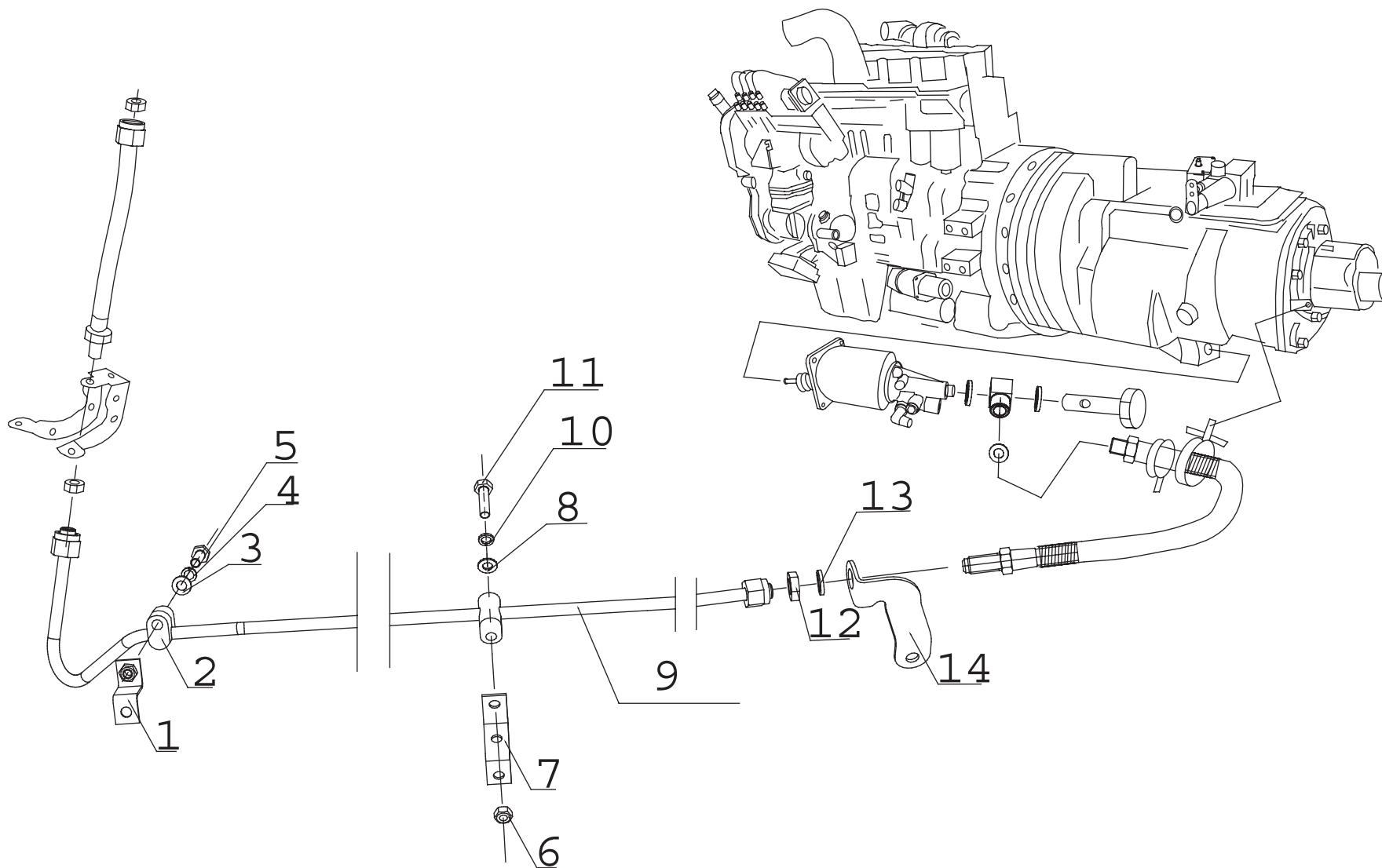




序号 No.	件号 Part No.	数量 Quantity	名称 Name	规格 Specification	适用产品 Products Applied	备注 Remark
1	37AD-34021	1	支架 Bracket			
2	37AD-33027	2	定位夹 Locating Clip			
3	Q40108	1	平垫圈 Plate Washer			
4	Q40308	1	弹簧垫圈 Spring Washer			
5	Q150B0830	1	六角头螺栓 Hexagon Head Bolt			
6	Q340B08	1	I型六角螺母 Hexagon Full Nut			
7	37AD-34032	1	支架 Bracket			
8	Q40108	1	平垫圈 Plate Washer			
9	16A4D-07030	1	油管 Oil Pipe			
	16A6DZ-07030	1	油管 Oil Pipe		斯太尔动力系列 STEYR Engine Series	
10	Q40308	1	弹簧垫圈 Spring Washer			
11	Q150B0830	1	六角头螺栓 Hexagon Head Bolt			
12	Q80216	1	卡套式管接头用薄螺母 Thin Nut For Ferrule-Type Tube Connector			
13	Q41016	1	内锯齿锁紧垫圈 Inner Serrated Lock Washer			

## 离合器油路操纵装置图二 / CLUTCH OIL CIRCUIT OPERATING II

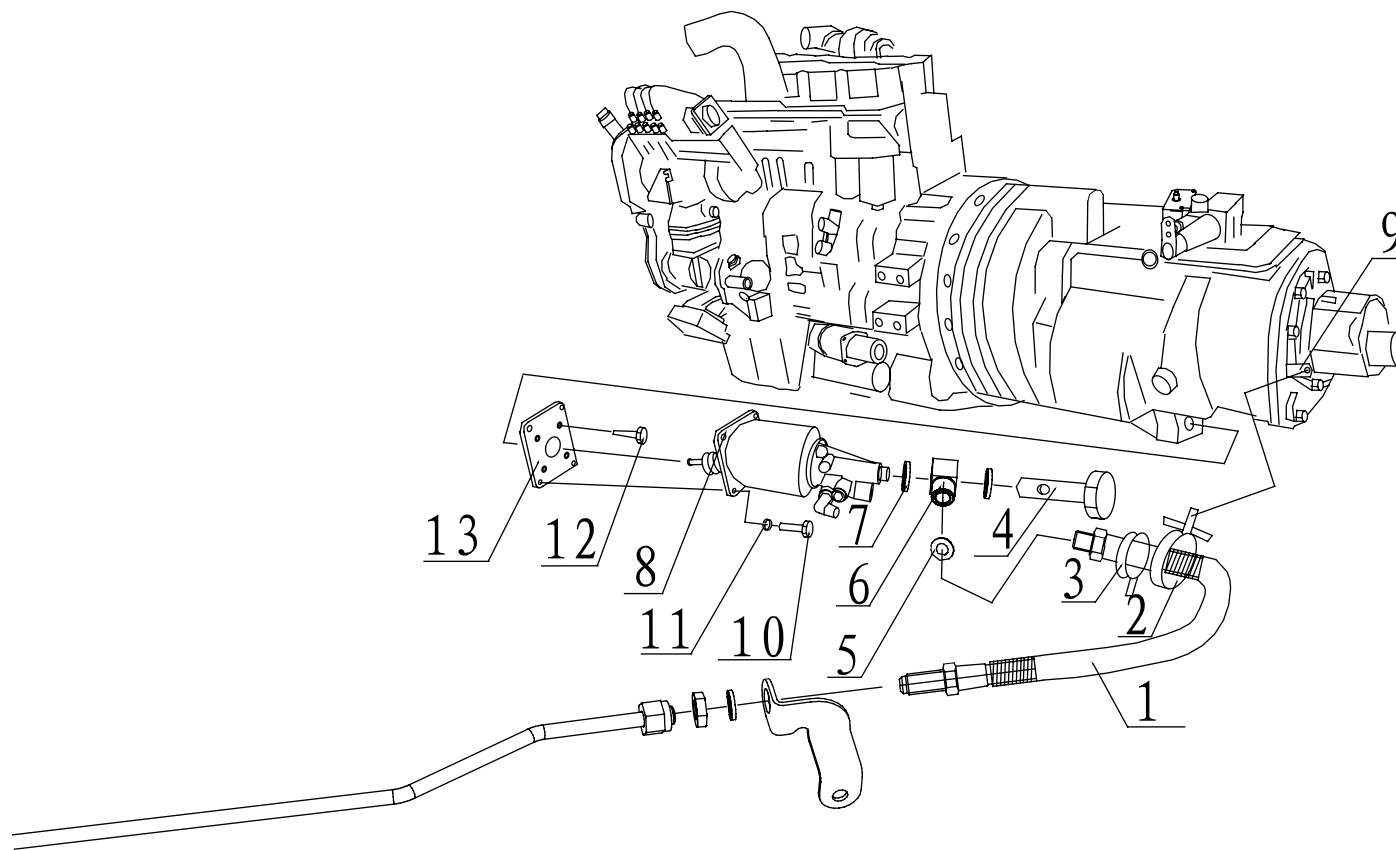
16-C



序号 No.	件号 Part No.	数量 Quantity	名称 Name	规格 Specification	适用产品 Products Applied	备注 Remark
14	16A4D-07044	1	支架 Bracket		非四桥车 Non 4-Axel Vehicle	
	16A9DP5-07044	1	支架 Bracket		四桥车 4-Axel Vehicle	

## 离合器油路操纵装置图三 / CLUTCH OIL CIRCUIT OPERATING III

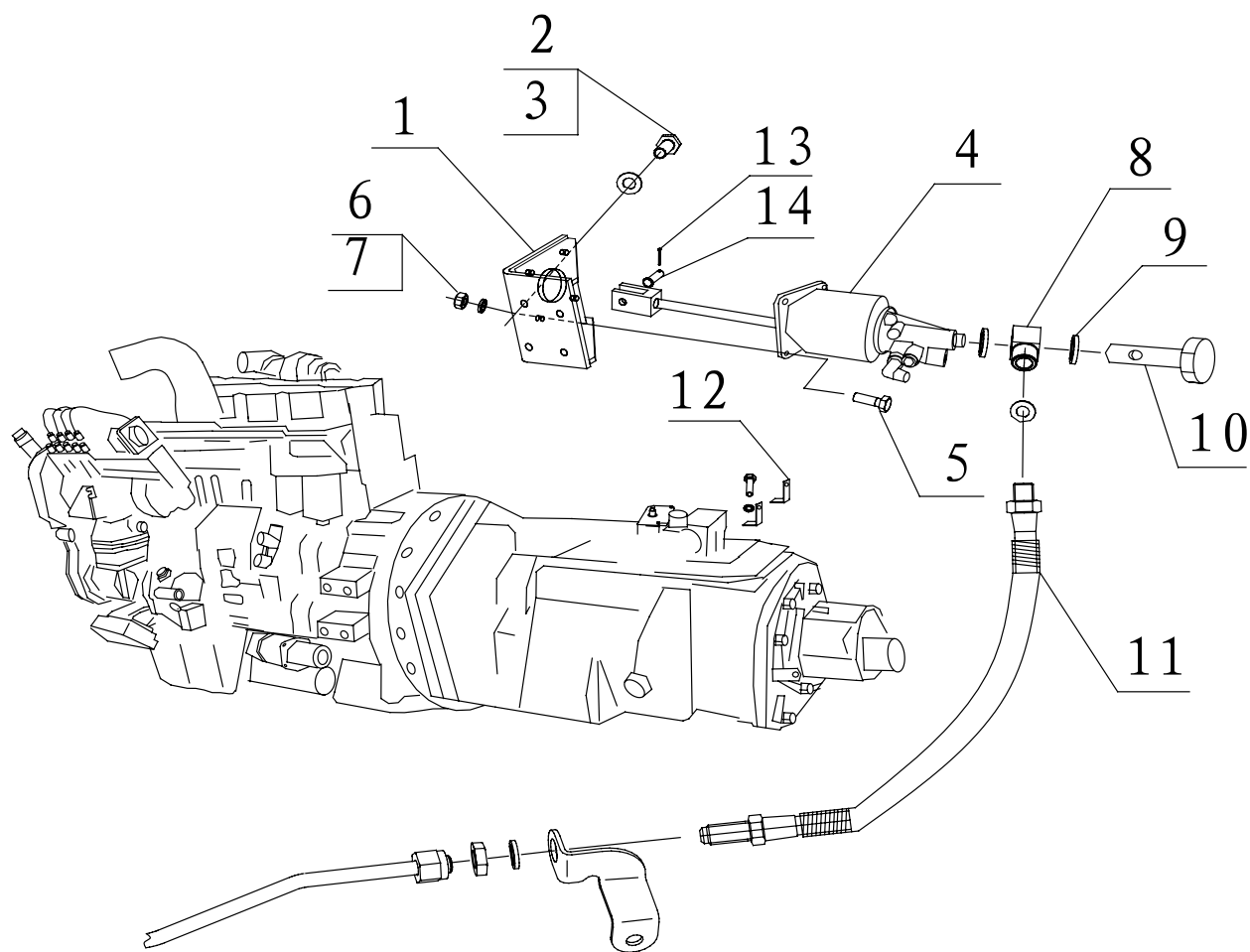
16-D



序号 No.	件号 Part No.	数量 Quantity	名称 Name	规格 Specification	适用产品 Products Applied	备注 Remark
1	16A4D-07043	1	软管 Hose			
2	37AD-33007	1	塑料线卡 Plastic Wire Snap Ring			
3	37AD-33041	1	扎带 Band			
4	Q81814	1	卡套式铰接六角螺栓 Ferrule-type Articulated Hexagon Bolt			
5	Q72314	1	密封垫圈 Seal Washer			
6	16A4D-07045	1	铰接接头体 Articulated Connector			
7	Q72314	2	密封垫圈 Seal Washer			
8	1604A4D-010	1	离合器助力器总成 Clutch Booster Assembly		国产 350 马力以下动力系列 Domestic Engine Series Under 350 Horsepower	
	1604A5DQ-010	1	离合器助力器总成 Clutch Booster Assembly		国产 350 马力以下动力系列 Domestic Engine Series Under 350 Horsepower	
9	37AD-34033	1	支架 Bracket			
10	Q150B0825	4	六角头螺栓 Hexagon Head Bolt			
11	Q40308	4	弹簧垫圈 Spring Washer			
12	Q218B0825	4	内六角螺钉 Hexagon Socket Screw		国产 350 马力以上动力系列 Domestic Engine Series Over 350 Horsepower	
13	16A5DQ-04055	1	过渡板 Intermediate Plate		国产 350 马力以上动力系列 Domestic Engine Series Over 350 Horsepower	

## 离合器油路操纵装置图三 / CLUTCH OIL CIRCUIT OPERATING III

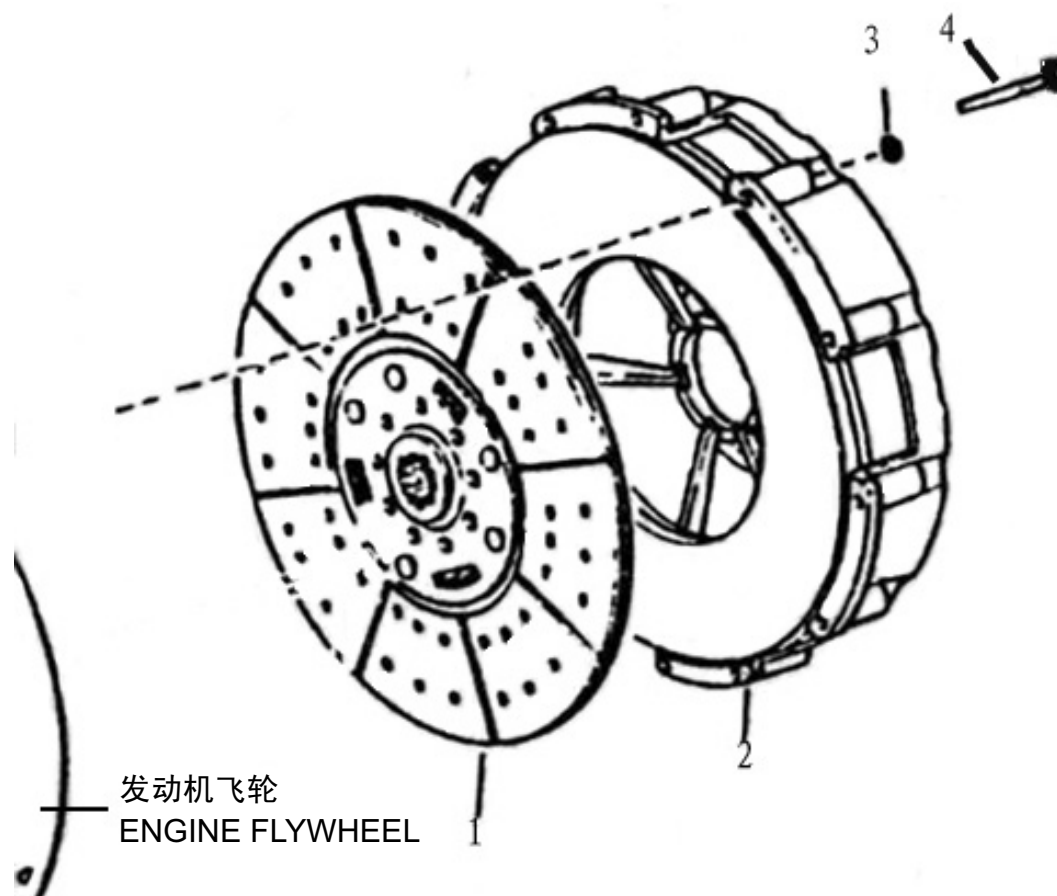
16-E



序号 No.	件号 Part No.	数量 Quantity	名称 Name	规格 Specification	适用产品 Products Applied	备注 Remark
1	16A7DP-04060	1	助力器支架 Booster Bracket			
2	Q150B1230	4	六角头螺栓 Hexagon Head Bolt			
3	Q40312	4	弹簧垫圈 Spring Washer			
4	1604A7DP-010	1	离合器助力器总成 Clutch Booster Assembly			
5	Q150B0825	4	六角头螺栓 Hexagon Head Bolt			
6	Q40308	4	弹簧垫圈 Spring Washer			
7	Q340B08	4	六角螺母 Hexagon Nut			
8	16A4D-07045	1	铰接接头体 Articulated Connector			
9	Q72314	3	密封垫圈 Seal Washer			
10	Q81814	1	卡套式铰接六角螺栓 Ferrule-Type Articulated Hexagon Bolt			
11	16A4D-07043	1	软管 Hose			
12	37AD-34033	3	支架 Bracket			
13	Q5002022	1	开口销 Cotter Pin			
14	Q5101035	1	轴销 Shaft Pin			

## FD430A 离合器装置图 / FD430 A CLUTCH

16-F





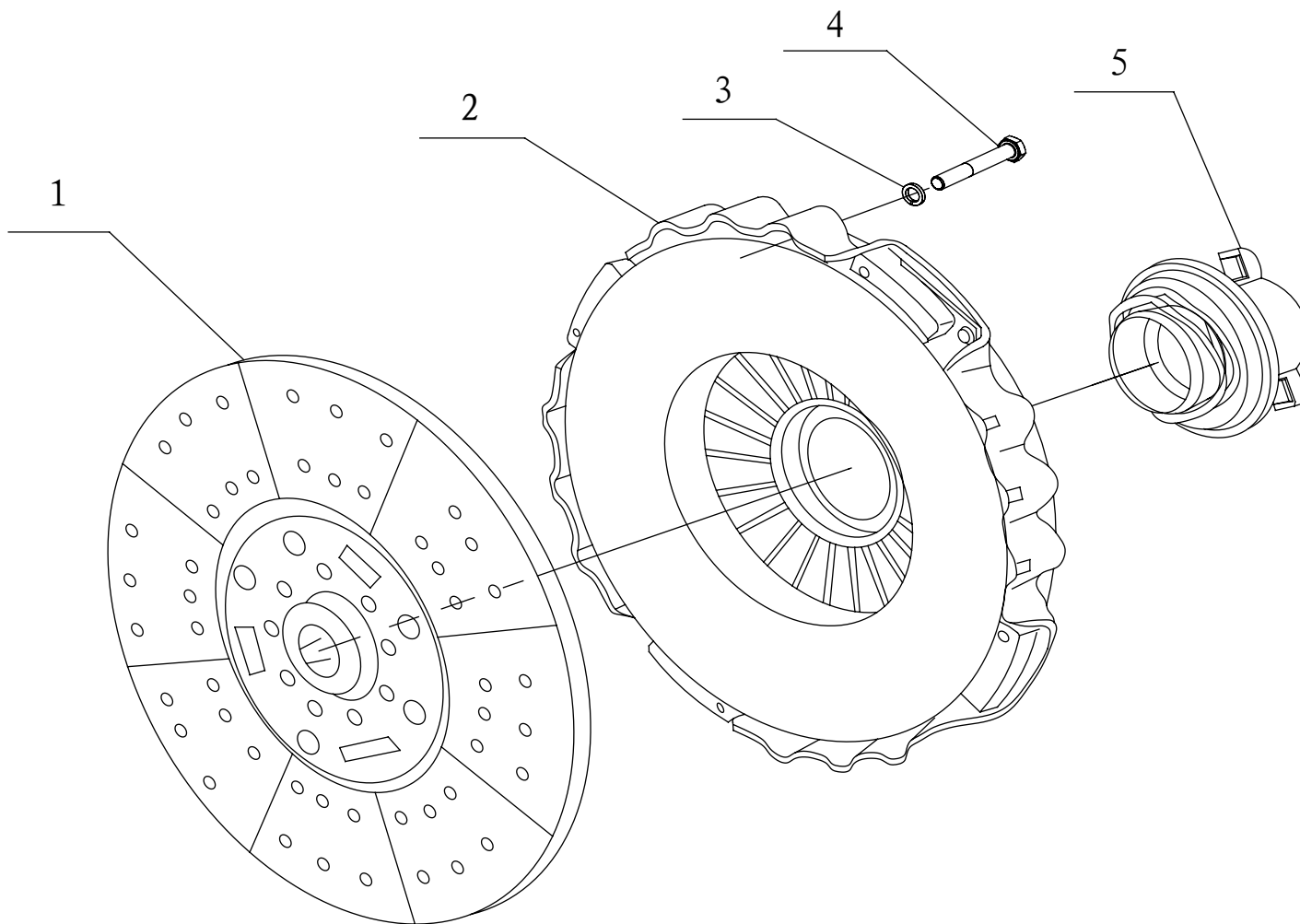
## 离合器及其操纵系统 / CLUTCH AND OPERATING SYSTEM

16-16

序号 No.	件号 Part No.	数量 Quantity	名称 Name	规格 Specification	适用产品 Products Applied	备注 Remark
1	16A7D1-01200	1	离合器从动盘总成 Clutch Driven Disc Assembly	430	配备 300 马力以下发动机 Under 300 Ps Engine	
	16A4D1-01200	1	离合器从动盘总成 Clutch Driven Disc Assembly	430	配备 300 马力以下发动机 Under 300 Ps Engine	
2	16A7D-01100	1	离合器压盘总成 Clutch Pressure Plate Assembly	175	250 马力以下发动机 Under 250 Ps Engine	
	16A6DP1-01100	1	离合器压盘总成 Clutch Pressure Plate Assembly	195H	250-300 马力发动机 250-300 Ps Engine	
	16A2D-01100	1	离合器压盘总成 Clutch Pressure Plate Assembly	225	300-350 马力发动机 300-350 Ps Engine	
3	Q40512	12	重型弹簧垫圈 Heavy Spring Washer			
4	Q150B1075TF3	12	六角头螺栓 Hexagon Head Bolt		斯太尔 350 马力以下发动机 STEYR Unede 350 Ps Engine	
	Q150B1065TF3	12	六角头螺栓 Hexagon Head Bolt		康明斯 350 马力以下发动机 CUMMINS Under 350 Ps Engine	

## SACHS 离合器装置图 / SACHS CLUTCH

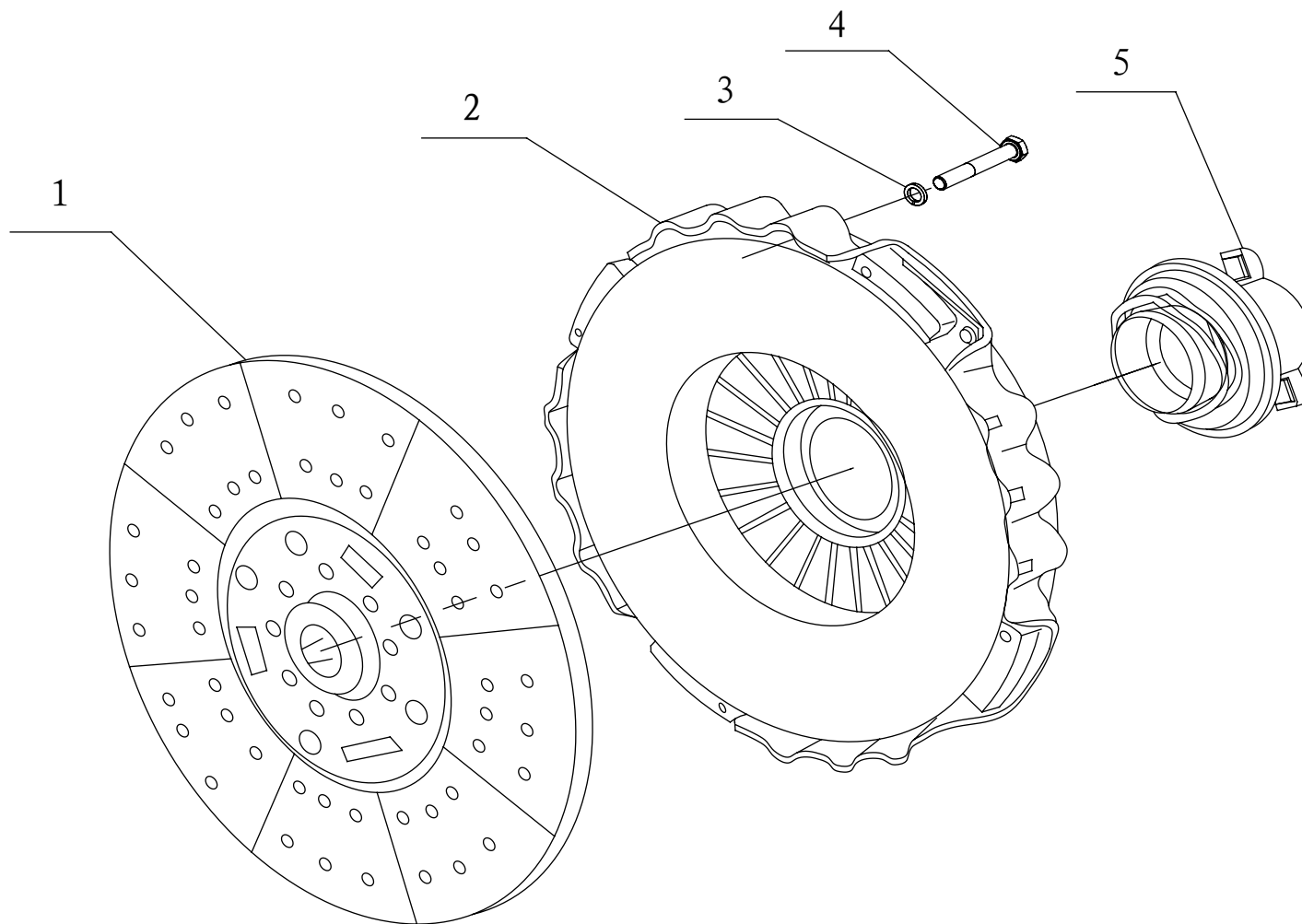
16-G



序号 No.	件号 Part No.	数量 Quantity	名称 Name	规格 Specification	适用产品 Products Applied	备注 Remark
1	49 1878 080 034	1	离合器从动盘总成 Clutch Driven Disc Assembly		ZF16S1650 变速箱 ZF16S1650 Transmission	
	49 1878 080 035	1	离合器从动盘总成 Clutch Driven Disc Assembly		ZF16S1950 或者 16S181 变速箱 ZF16S1950 Or 16S181 Transmission	
2	32 3482 083 118	1	离合器压盘总成 Clutch Pressure Plate Assembly		ZF16S1650 变速箱 ZF16S1650 Transmission	
	32 3482 083 219	1	离合器压盘总成 Clutch Pressure Plate Assembly		ZF16S1950 或者 16S181 变速箱 ZF16S1950 Or 16S181 Transmission	
3	Q40510	12	重型弹簧垫圈 Heavy Spring Washer			
4	Q150B1075TF3	12	六角头螺栓 Hexagon Head Bolt			
5	34 3151 000 034	1	离合器分离轴承总成 Clutch Release Bearing Assembly		ZF 变速箱 ZF Transmission	

## FD430L30 离合器装置图 / FD430L30 CLUTCH

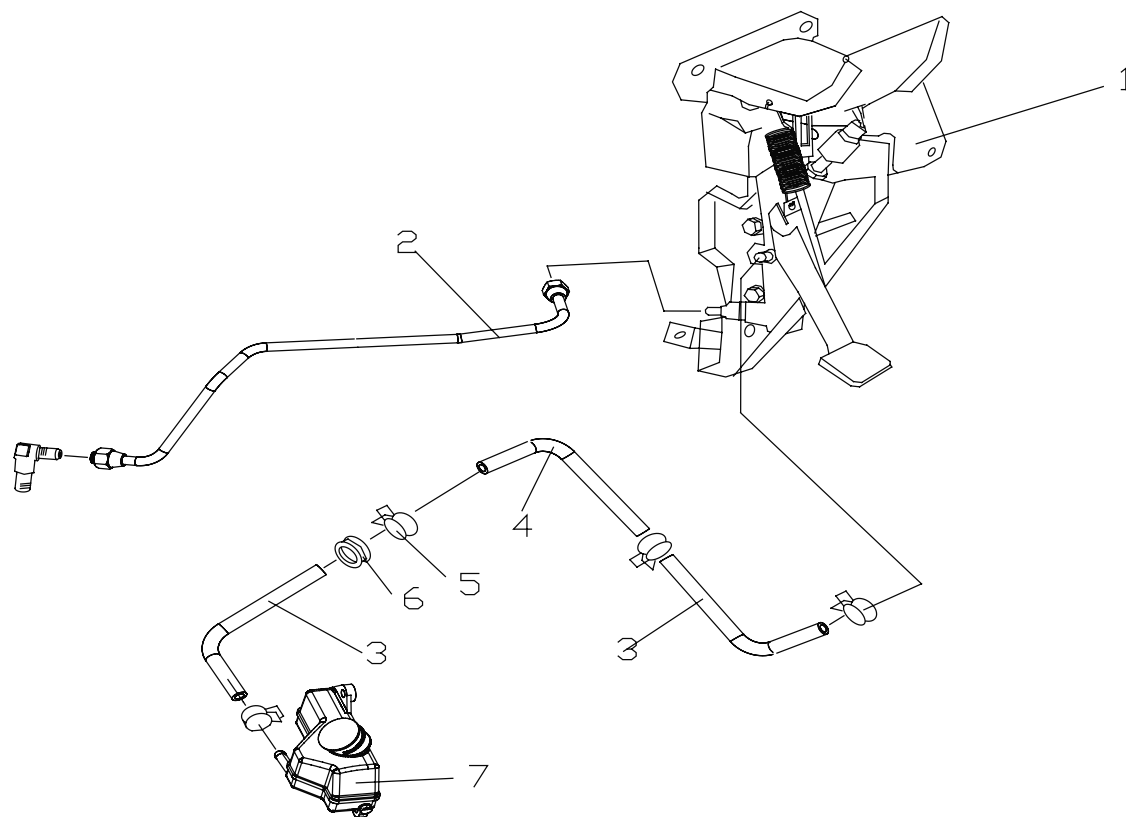
16-H



序号 No.	件号 Part No.	数量 Quantity	名称 Name	规格 Specification	适用产品 Products Applied	备注 Remark
1	FD430L30-1601200	1	离合器从动盘总成 Clutch Driven Disc Assembly		350 马力以上发动机 Over 350 Ps Engine	
2	FD430L30-1601100	1	离合器压盘总成 Clutch Pressure Plate Assembly		350 马力以上发动机 Over 350 Ps Engine	
3	Q40510	12	重型弹簧垫圈 Heavy Spring Washer			
4	Q150B1085TF3	12	六角头螺栓 Hexagon Head Bolt			
5	86CL6395F0	1	离合器分离轴承总成 Clutch Release Bearing Assembly		350 马力以上发动机 Over 350 Ps Engine	

右驾车型离合器油路操纵装置图一  
CLUTCH OIL CIRCUIT OPERATING I OF RHD

16-1



序号 No.	件号 Part No.	数量 Quantity	名称 Name	规格 Specification	适用产品 Products Applied	备注 Remark
1	16ADY-02010	1	离合器踏板 Clutch Pedal		右驾车型 RHD	
2	16ADY-07022	1	离合器油管 Clutch Oil Pipe		右驾车型 RHD	
3	16AD-05014	2	软管 Hose			
4	16ADY-05014	1	软管 Hose		右驾车型 RHD	
5	Q673B138	4	钢带弹性环箍 Steel Strip Spring Snap Ring			
6	16AD-05015	1	橡胶保护套 Protective Rubber Sleeve			
7	1605AD-010	1	储液罐 Reservior			

