

50A3D-04046



# 华菱汽车备件目录图册

HUALING AUTOMOBILE SPARE PARTS MANUAL

下 册

VOLUME 3

安徽华菱汽车股份有限公司

ANHUI HUALING AUTOMOBILE CO.,LTD



# 前 言

华菱汽车是安徽华菱汽车股份有限公司在日本三菱重型卡车技术平台上自主研发的系列中高档重型卡车，包括了进口及国产多种功率发动机、多种变速箱、多种重型承载桥、多种轴距、多种驱动型式等。

本备件目录是参考安徽华菱汽车股份有限公司技术中心系列华菱汽车产品明细表编制的，它包含了华菱汽车股份有限公司现生产华菱汽车的部分车型的几乎所有部件，可供华菱汽车售后服务人员、华菱汽车用户订购汽车零部件及熟悉汽车结构用。

参照本手册可以找到您所需要的华菱汽车配件，及时解决故障。有时由于产品改进，您也有可能发现与书中不同的华菱汽车配件存在，使用时要确认车型及生产日期、批号，以保证您能够找到正确的配件。

由于时间关系，再加上参加编写的人员水平有限，本书中难免存在疏漏及错误之处，这里诚恳地欢迎您批评指正，以便在下次出版时更正，同时也为因此给您带来的不便表示真诚的歉意。

## 版权说明：

本书部分内容引用了配套件公司的资料，版权归原配套件公司所有，其他版权归安徽华菱汽车股份有限公司所有。

华菱公司保留对本手册进行改进的权利，如有变更，恕不另行通知。本手册最终解释权归安徽华菱汽车股份有限公司所有。

安徽华菱汽车股份有限公司  
技术与开发中心  
2007年6月10日



# Preface

Hualing trucks are a series of middle and high-class heavy-duty trucks which are developed independently by Anhui Hualing Automobile Co.,Ltd on the technical platform of Mitsubishi (Japan)heavy-duty truck, including imported or domestic engines of various horsepowers, transmissions, heavy-duty axles,wheelbases and driving modes.

The manual is compiled according to the list of Hualing vehicle series from Technology Center of Anhui Hualing Automobile Co.,Ltd. It includes almost all parts of some models in production in the company and can be served for after-sale service personnel and customers to order spare parts, and enhance the familiarity with structure of trucks.

With reference to the manual, you can find the desired parts of Hualing trucks and clear malfunctions timely. Some Hualing parts may be different from those in the manual for the improvement of products. Therefore, vehicle model, production date and serial number should be confirmed priorly to ensure the right choice of parts.

Limited by time and knowledge of the compliers, the negligence and inaccuracy is inevitable in this manual. Your kindly comment and recommendation are much appreciated for the revision in next edition. Please accept our sincere apologies for the inconveniences hereby.

## **Explanation to Copyright:**

The manual may quote our suppliers' information and its copyright is reserved by the relevant suppliers. Any other copyright is reserved by Anhui Hualing Automobile Co., Ltd.

Hualing company reserves the right to mend this manual without prior notice. The company's interpretation shall prevail.

**Anhui Hualing Automobile Co., Ltd.**  
**Technical Research & Development Center**  
**Jun. 10, 2007**





# 使用说明

1、华菱汽车是包含一百多种变型的系列产品，同时各车型采用模块式组合方式，所用总成通用化程度较高，且同一系列总成的零件通用化程度也高，因此本备件目录不是单一车型的备件目录，总成也不是单一总成产品的备件目录，而是适应所有变型产品的备件目录，其编排也是按照模块化结构，以总成为基本单元，总成的各种变型产品都包含在该基本单元内。例如发动机单元，不与某一车型直接挂钩，而是独立于各车型，将华菱汽车所常用的系列发动机如：康明斯发动机 C260 20、C300 20、L345 20、L37520、斯太尔发动机 WD615. 50、WD615. 31、WD615. 34、WD615. 38 等编在一个单元内。由于同一配套厂家的发动机属于系列产品，结构相同，同一系列不同机型的某一部分可共用一张零部件爆炸图，给备件目录的编排带来了方便，也便于了解该配套厂家不同机型发动机的结构部件的差别。车架装置图以基本型为基础进行命名，相似车型车架可在基本型装置图上查找，如 3200+1350 轴距牵引车车架总成以相应康明斯动力牵引车车架总成 28AH4DQ15-00010 为基本型，其余动力车型车架与其共用爆炸图。

## 2、本备件目录的查阅方法

- (1) 查看车辆识别代号及发动机铭牌，确定汽车车型代号、发动机型号及生产日期、批次，具体含义见《安徽华菱汽车股份有限公司车辆识别代号 (VIN) 编制规则》，了解本车型采用了哪些配置等基本信息。
- (2) 查阅《华菱汽车基本配置明细表》，根据车型查寻装用基本总成的型号名称。
- (3) 根据装用总成的型号名称查阅目录，确定所查总成装置图在本书中的图号及页次。
- (4) 基本配置明细表中没有的系统总成，查阅各总成爆炸图目录，确定所查系统总成爆炸图在本书中的图号及页次。
- (5) 对于型号唯一的总成可根据图上所注序号查出零件编号。
- (6) 对于有多种变型的总成可根据图上所注序号查出一个或多个零件编号，再根据适用产品可以唯一确定某种型号总成所用到的该种零件的编号。如下表：

# Instruction

1. Hualing automobile is a series of products including more than 100 models. Owing to the module technique designed for various models, it has a high interchangeability in the complete assembly as well as parts of the same series assembly. Therefore, this manual is not a catalog of spare products for single vehicle model or single assembly but for all modified products. It is also compiled with the module technique. The assembly is taken as a basic unit which contains all modified products of the assembly. For example, the unit of engine is not connected with but independent on defined models. The common engine series used in Hualing vehicles, for example, CUMMINS engines C260 20, C300 20, L345 20 and L375 20, and WD615.50, WD615.31, STEYR WD615.34 and WD615.38 are listed in one unit. The engines supplied by the same producer are classified as one product series with same structure and some sections in various models of the same series may share one parts drawing. This facilitates the compilation of the manual and helps the understanding of the structural differences between the components of various engine models of one supplier. The drawing of frame is named according to its basic structure and the frames of similar models may be found at the basic drawing. For example, the frame assembly 28AH4DQ15-00010, used in the tractor equipped with CUMMINS engines, is the basic type of that in the 3200+1350-Wheel base-long tractor. Other tractors with different engines share the same frame drawing.

## 2. Searching in this spare parts manual

- (1) Check the identification number of the vehicle and the name plate of its engine to determine the model number of the vehicle, engine model, production date and batch number. For the detail information, see “Rules on Compilation of Vehicle Identification Number in Anhui Hualing Automobile Co.,Ltd” to understand the basic data such as the configuration of this model, etc.
- (2) Check “ Basic Configuration List Of HUALING Automobile” and determine the model of the basic assembly installed according to the model.
- (3) Search the target assembly drawing in the manual according to the model of the basic assembly and confirm its drawing number and page number in this manual.

- (4) In case of absence of the target assembly in the basic configuration list, search in the content of the assembly exploded drawings to determine the target assembly exploded drawing number and page number in this manual.
- (5) For the assembly with the definite model, its parts number can be found according to the item number marked on the drawing.
- (6) For the assembly with different models, one or more numbers can be found according to the item number marked on the drawing and the number of the installed part in the assembly model can be then determined solely according to the applicable product, as shown in the following table:

| 序号<br>No. | 件号<br>Part No. | 数量<br>Quantity | 名称<br>Name                        | 规格<br>Specification | 适用产品<br>Products Applied                   | 备注<br>Remark |
|-----------|----------------|----------------|-----------------------------------|---------------------|--|--------------|
| 1         | 28AD-01151     | 1              | 第五横梁 -1<br>Fifth Cross Member - 1 |                     | 装三菱 6×4 驱动桥<br>6×4 MITSUBISHI Driving Axle |              |
|           | 28A2D-01151    | 1              | 第五横梁 -1<br>Fifth Cross Member - 1 |                     | 装斯太尔 6×4 驱动桥<br>6×4 STEYR Driving Axle     |              |
|           | 28A4D-01151    | 1              | 第五横梁 -1<br>Fifth Cross Member - 1 |                     | 装 457 6×4 驱动桥<br>6×4 457 Type Driving Axle |              |

从表中可以查明装 457 6×4 驱动桥车架的第五横梁所用序号 1：第五横梁 -1 的零件编号为 28A4D-01151，数量为 1 件。

From the table above, the number of fifth cross member-1 used in the frame with 6×4 457 type driving axle is 1. Its part number is 28A4D-01151 and quantity is 1.

(7) 各总成爆炸图格式如下:

(7) The format of the exploded drawings of all assembly is as follows:

(Page Number)

10-5(页码) 华菱汽车备件目录图册 /HUALING AUTOMOBILE SPARE PARTS MANUAL

缸体组 (BB 9171)(爆炸图名称) /CYLINDER BODY(BB 9171) (Name Of Exploded Drawing)

**10-B(图号)**  
**(Drawing Number)**

(附图)  
(Attached Figure)

(8) 零件明细表格式如下:

(8) The format of the part list is as follows:

(Page Number)

发动机系统 (系统名称, 仅限明细表) /ENGINE SYSTEM (NAME, ONLY FOR LIST)68-8(页码)

| 序号<br>No. | 件号<br>Part No. | 数量<br>Quantity | 名称<br>Name                              | 规格<br>Specification | 适用产品<br>Products Applied  | 备注<br>Remark |
|-----------|----------------|----------------|---|---------------------|---|--------------|
| 1         | 3909025        | 6              | 六角法兰面螺栓<br>Hexagon Bolt With Flange     |                     | L375 20   |              |
| 2         | 3944153        | 7              | 曲轴瓦下瓦<br>Crankshaft Lower Bearing Shell |                     | L375 20   |              |
| 3         | 3944158        | 6              | 曲轴瓦上瓦<br>Crankshaft Upper Bearing Shell |                     | L375 20   |              |
|           |                |                |   |                     | 若该栏为空则所有产品均适用<br>If this column is empty, it applies for all products |              |

### 3、 例外说明

- (1) 华菱汽车除了基本配置总成外，还根据需要选装其他型号总成，如驾驶室翻转机构，由几个配套厂家供货，型号及形式不同，但可以通用，查阅时应确认所认购车型是否采用了特殊选用装置。如是，则应查阅该选装总成的配置图及零件明细表。
- (2) 个别总成中分总成也存在多项选择，如发动机喷油泵有 BOSCH 泵和无锡欧亚泵，查阅有关备件时应先确认发动机装用何种泵。
- (3) 传动轴总成备件目录以车型为基础编制，根据目录查到传动轴部分，找到所查车型号，即可在该车型下查到传动轴总成编号。由于传动轴也为系列产品，仅轴管长度不同，其它件相同。因此在查到传动轴总成编号后，如需查阅零件，则在总成备注栏查出以万向节直径为代号的标志如“ $\phi 52$ ”，然后在目录中查出“传动轴部件”的页次，在该页即可查到该“ $\phi 52$ 型传动轴”总成的零件编号。
- (4) 在某一机型中同一序号上有多个零件编号时，如无说明，则表明不同编号的零件互相通用，可任选其一。
- (5) 代表零件的唯一正确标志是零件编号，购买配件时，在配件目录中查到该部件确认后，应写明零件编号、名称及数量。
- (6) 对具有多种变型的总成，如驾驶室的各组成部件，在名称、适用产品或备注栏中无特别说明时，则表明该部件所有驾驶室通用。
- (7) 书中适用产品栏主要用来说明零件的适用范围，可以根据总成不同有不同的表述，以清楚明了为原则，若该栏为空则所有产品均适用。
- (8) 备注栏主要用于说明其它栏没有说明的事项，视情况决定是否注明。
- (9) 由于篇幅有限，所以并不是把所有的华菱汽车的基本配置都列在了本备件目录中，只是给出了有代表性的关键配置，查不到的关键总成见其单行本，由此造成的不便敬请谅解。

**安徽华菱汽车股份有限公司**  
**技术与开发中心**  
**2007年6月10日**

### 3. Exception

- (1) In addition to the general assembly of basic configuration, other models assembly may be selected on demand. For example, the cab tilting devices are provided by several suppliers. Although their models and structures are different, they can be replaced with each other. While searching in the manual, it shall be confirmed whether the special devices are installed in the selected vehicle model. If installed, the configuration drawings and part list relating to this assembly shall be referred.
- (2) In some assemblies, the multiple options may be possible. For example, there are two types of oil pumps in the engine, BOSCH pump and Wuxi Eurasia pump. Which pump is installed in the engine shall be confirmed prior to the searching of the spare parts.
- (3) The manual of the driving shaft assembly is compiled according to vehicle model. Find the model code of the vehicle in the part of propeller shaft first, then the number of its propeller shaft assembly can be found in this model. The propeller shafts are also series products and different only in length. Therefore, if a part is to be searched after general assembly code of propeller shaft is determined, just find the mark like “Φ52” which is coded by the diameter of the universal joint in remark column of the general assembly. Then the page number of the propeller shaft components in the manual, and finally the part number of the “Φ52 type propeller shaft” assembly can be found in this page.
- (4) Unless otherwise mentioned, the part numbers given for the same item number in one model are replaceable and optional.
- (5) The sole correct sign for parts is its code. Therefore, the part number, name and quantity of a component shall be recorded after it has been confirmed in the spare parts manual.
- (6) For assemblies with more varieties such as components of driver cab, they are suitable for all cabs unless otherwise mentioned in column of name, product applied or remark.
- (7) The column of products applied is mainly used to describe applicable range of the parts. The description may be different due to different general assembly with the principle of clear description. If the column is blank, the corresponding part is applicable to all products.
- (8) The remark column is mainly used for the matters not mentioned in other columns. Whether it is applicable or not depends on the actual situations.
- (9) Limited by length of the manual, not all basic configurations of Hualing vehicles are listed and only typical key configurations are given. For key assemblies not included in this manual, refer to its separate edition and we apologize to you for inconvenience hereby.

**Anhui Hualing Automobile Co., Ltd.**  
**Technical Research & Development Center**  
**Jun. 10, 2007**

# 安徽华菱汽车股份有限公司车辆识别代号 (VIN) 编制规则

## Coding Rules of Vehicle Identification Number (VIN) in Anhui Hualing Automobile Co.,Ltd

### 车辆识别代号的内容与构成 /Contents and Components of VIN

|                       |   |   |                                  |                         |                          |  |  |                               |             |                             |                                       |    |    |    |    |    |
|-----------------------|---|---|----------------------------------|-------------------------|--------------------------|--|--|-------------------------------|-------------|-----------------------------|---------------------------------------|----|----|----|----|----|
| L                     | Z | 5 | M                                | 1                       | A                        | B  | 1  | 1                             | 1           | A                           | 0                                     | 0  | 0  | 0  | 0  | 1  |
| 1                     | 2 | 3 | 4                                | 5                       | 6                        | 7  | 8  | 9                             | 10          | 11                          | 12                                    | 13 | 14 | 15 | 16 | 17 |
| 制 造 厂<br>Manufacturer |   |   | 车 身 驾 驶 室 类 型<br>Driver Cab Type | 车 辆 类 型<br>Vehicle Type | 发 动 机 类 型<br>Engine Type | 最 大 总 质 量 或 车 辆 长 度<br>Max. Total Mass Or Vehicle Length | 驱 动 形 式 或 发 动 机 布 置 形 式<br>Driving Mode Or Engine Arrangement Type | 检 验 位<br>Inspection Locations | 年 份<br>Year | 装 配 厂<br>Assembling Factory | 生 产 顺 序 号<br>Production Serial Number |    |    |    |    |    |

### 1 第一部分：世界制造厂识别代号 (WMI) /Section I: World Manufacturer Identifier (WMI)

第①~③位代码——世界制造厂识别代号 (WMI) /Codes of position 1 to 3: World Manufacturer Identifier (WMI)

|             |   |
|-------------|---|
| 代 码<br>Code | 制 造 厂 名 称<br>Manufacturer                                     |
| LZ5         | 安 徽 华 菱 汽 车 股 份 有 限 公 司<br>Anhui Hualing Automobile Co., Ltd. |

## 2 第二部分：车辆说明部分 (VDS) /Section II: Vehicle Descriptive Section (VDS)

### 第④位代码——车身、驾驶室 /Code of position 4: Vehicle Body And Cab

| 代 码<br>Code | 产 品 特 征<br>Product Description       | 代 码<br>Code | 产 品 特 征<br>Product Description       |
|-------------|--------------------------------------|-------------|--------------------------------------|
| M           | 平头驾驶室<br>Forward Control Cab         | N           | 平顶驾驶室<br>Flat Roof Cab               |
| P           | 长头驾驶室<br>Conventional Cab            | Y           | 长头带卧铺驾驶室<br>Conventional Sleeper Cab |
| R           | 高顶驾驶室<br>High Roof Cab               | S           | 平头双排座驾驶室<br>Forward Double Cab       |
| T           | 平头单排座驾驶室<br>Forward Single Cab       | U           | 客车单门<br>Single-Door Of Bus           |
| V           | 客车双门<br>Double-Door of Bus           | W           | 窄体驾驶室<br>Narrow Body Cab             |
| X           | 客车及三类底盘<br>Bus And Class III Chassis |             |                                      |

### 第⑤位代码——车辆类型 /Code of Position 5: Vehicle Type

| 代 码<br>Code | 产 品 特 征<br>Product Description       | 代 码<br>Code | 产 品 特 征<br>Product Description        |
|-------------|--------------------------------------|-------------|---------------------------------------|
| 1           | 客车<br>Bus                            | 2           | 货车二类底盘<br>Truck With Class II Chassis |
| 3           | 客车三类底盘<br>Bus With Class III Chassis | 4           | 半挂牵引车<br>Semitrailer Tractor          |
| 5           | 货车<br>Truck                          |             |                                       |



第⑥位代码——发动机类型 /Code of Position 6: Engine Type

| 代码<br>Code | 燃油类型<br>Fuel Type | 排量 (L)<br>Displacement (L) | 代码<br>Code | 燃油类型<br>Fuel type  | 排量 (L)<br>Displacement (L) |
|------------|-------------------|----------------------------|------------|--------------------|----------------------------|
| A          | 柴油<br>Diesel      | $3 < L \leq 5$             | B          | 柴油<br>Diesel       | $5 < L \leq 8$             |
| C          | 柴油<br>Diesel      | $8 < L \leq 11$            | D          | 柴油<br>Diesel       | $11 < L \leq 14$           |
| E          | 柴油<br>Diesel      | $14 < L \leq 17$           | F          | 天然气<br>Natural Gas | $5 < L \leq 8$             |

第⑦位代码——货车及其底盘用最大总质量 (T) 表示，客车及其底盘用车辆长度 (L) 表示

Code of Position 7: T Indicates Max. Total Weight Of Truck And Its Chassis, L Indicates Vehicle Length Of Bus And Its Chassis

| 货车（自卸、牵引、越野）及底盘（单位：T）<br>Truck (Dumper, Tractor, Off-Road) And Chassis (In Tons) |                            |            |                          |
|--|----------------------------|------------|--------------------------|
| 代码<br>Code   | 最大总质量<br>Max. Total Weight | 代码<br>Code | 最大总质量<br>Max. Total Mass |
| A  | $10 \leq T < 15$           | B          | $15 \leq T < 20$         |
| C  | $20 \leq T < 25$           | D          | $25 \leq T < 30$         |
| E  | $30 \leq T < 35$           | F          | $35 \leq T < 40$         |
| G  | $40 \leq T < 45$           | H          | $45 \leq T < 50$         |
| J  | $50 \leq T < 55$           |            |                          |

客车及客车底盘 (单位: m)  
Bus And Chassis (In Meters)

| 代码<br>Code | 车辆长度<br>Vehicle Length | 代码<br>Code | 最大总质量<br>Max. Total Mass |
|------------|------------------------|------------|--------------------------|
| 1          | $5 \leq L < 7$         | 2          | $7 \leq L < 9$           |
| 3          | $9 \leq L < 11$        | 4          | $11 \leq L < 13$         |
| 5          | $13 \leq L < 15$       | 6          | $L > 15$                 |

第⑧位代码——驱动形式及发动机布置形式 / Code of Position 8: Driving Type and Engine Arrangement Type

驱动形式 (货车及二类底盘、半挂牵引车)  
Driving Type (Truck And Class II Chassis, Semitrailer)

| 代码<br>Code | 驱动形式<br>Drive Type | 代码<br>Code | 驱动形式<br>Driving Type |
|------------|--------------------|------------|----------------------|
| 1          | 4×2                | 2          | 4×4                  |
| 3          | 6×4                | 4          | 6×2                  |
| 5          | 8×4                | 6          | 10×4                 |
| 7          | 6×6                | 8          | 8×8                  |
| 9          | 8×2                | A          | 8×6                  |

|   |                              |             |                              |
|---|------------------------------|-------------|------------------------------|
| 代 码<br>Code   | 驱 动 形 式<br>Driving Type      | 代 码<br>Code | 驱 动 形 式<br>Driving Type      |
| B   | 10×2                         | C           | 10×6                         |
| D   | 10×8                         | E           | 10×10                        |
| 发动机布置形式（客车及三类底盘）<br>Engine Arrangement Type (Bus and Class III Chassis) |                              |             |                              |
| 代 码<br>Code   | 发 动 机 位 置<br>Engine Position | 代 码<br>Code | 发 动 机 位 置<br>Engine Position |
| 1   | 前置<br>Front                  | 2           | 中置<br>Middle                 |
| 3   | 后置<br>Rear                   |             |                              |

第⑨位代码——检验位 /Code of Position 9: Inspection Location

### 3 第三部分：车辆指示部分 (VIS) /Section III: Vehicle Indicator Section (VIS)

第⑩位代码——年份 /Code of Position 10: Year

|            |             |            |             |            |             |            |             |
|------------|-------------|------------|-------------|------------|-------------|------------|-------------|
| 年份<br>Year | 代 码<br>Code | 年份<br>Year | 代 码<br>Code | 年份<br>Year | 代 码<br>Code | 年份<br>Year | 代 码<br>Code |
| 1999       | X           | 2002       | 2           | 2005       | 5           | 2008       | 8           |
| 2000       | Y           | 2003       | 3           | 2006       | 6           | 2009       | 9           |
| 2001       | 1           | 2004       | 4           | 2007       | 7           | 2010       | A           |

第⑪位代码——装配厂 /Code of Position 11: Assembling Factory

| 代码<br>Code | 含义<br>Description                | 代码<br>Code | 含义<br>Description                  |
|------------|----------------------------------|------------|------------------------------------|
| A          | 湖南衡阳工厂<br>Hunan Hengyang Factory | B          | 安徽马鞍山工厂<br>Anhui Ma'anshan Factory |

第⑫～⑰位代码——生产顺序号 /Codes Of Position 12 to 17: Production Serial Number

**4 车辆识别代号的标记位置和固定方式 /Marking Location and Fixing Method of VIN**

- 1) VIN 直接打刻于车架上，N 类车型位于车架右纵梁中前部；M 类车型位于车架右纵梁前部。其他要求见附录 A。
  - 2) VIN 直接打刻在整车标牌上，N 类车型的标牌铆接在驾驶室右侧，二级踏板上方；M 类车型的标牌铆接在右侧门踏板附近。其他要求见附录 A。
  - 3) 另见附录 A 车辆识别代号标记型式申报表、车辆识别代号标记位置和固定方式申报表。
- 1) VIN is directly engraved on the vehicle frame, at middle-front area of main sill (right) in case of N type vehicle model and at front area of main sill (right) in case of M type. For other requirements, refer to annex A.
  - 2) VIN is directly engraved on the name plate of the vehicle, above the secondary pedal at the right side of the cab in case of N type vehicle model and near the right door pedal in case of M type. For other requirements, refer to annex A.
  - 3) Also refer to Application Form VIN Marking Application Form and Table of VIN Marking Location and Fixing Method in Annex A.

附 录 A/Annex A  
(规范性附录) / (Normative)  
申请表 /Application Form

# 车辆识别代号标记型式申报表

## Application Form of VIN Marking Type

**车辆生产企业名称:** 安徽华菱汽车股份有限公司

**Name of Manufacturer:** Anhui Hualing Automobile Co., Ltd.

**企业标准代号:** Q/HLJ1-2006

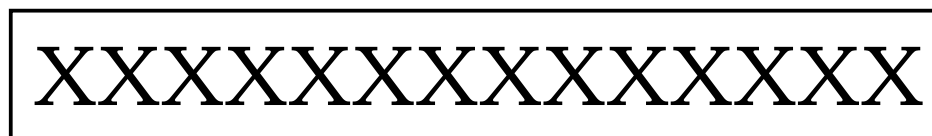
**Standard Code Of Enterprise:** Q/HLJ 1-2006

**车辆类型:** N 及 M

**Vehicle Type:** N And M

**生效日期:** 2006 年 10 月 1 日

**Effective Date:** Oct. 1,2006



车辆识别代号标记型式示意图 /Illustration Of VIN Marking Type

车辆识别代号标记型式说明 /Description Of VIN Marking Type

直接打刻在大梁上的 VIN 代码字高 8mm, 字宽 6mm; /VIN code directly engraved on the main sill: 8mm high, 6mm wide;

标记在标牌上的 VIN 代码字高 6mm, 字宽 4mm; 标牌使用不锈钢材质, 标牌长度 16cm, 宽度 10cm。/VIN code marked on the name plate: 6mm high, 4mm wide; name plate: stainless steel, 16cm long, 10cm wide.

# 车辆识别代号标记位置和固定方式申报表

## Application Form of VIN on Marking Location and Fixing Method

**车辆生产企业名称及类型：**安徽华菱汽车股份有限公司

**Name And Type Of Manufacturer:** Anhui Hualing Automobile Co., Ltd.

**企业标准代号：**Q/HLJ

**Standard Code Of Enterprise:** Q/HLJ 1-2006

**车辆类型：**N 及 M

**Vehicle Type:** N And M

**生效日期：**2006 年 10 月 1 日

**Effective Date:** Oct. 1,2006

### 说明 /Note:

N 类车型的标牌固定在驾驶室右侧，二级踏板上方，采用铆接方式固定；打刻在大梁上的 VIN 代码位于大梁右侧中前部。

In case of N type vehicle, the name plate is riveted above the secondary pedal at the right side of the cab; the VIN code engraved on the main sill (right) is located at the middle-front area.

M 类车型的标牌固定在右侧门踏板附近，采用铆接方式固定；打刻在大梁上的 VIN 代码位于大梁右侧前部。

In case of M type vehicle, the name plate is riveted near the right door pedal; the VIN code engraved on the main sill (right) is located at the front area.

# 华菱汽车基本配置明细表

BASIC CONFIGURATION LIST OF HUALING AUTOMOBILE

# 华菱汽车基本配置明细表

## BASIC CONFIGURATION LIST OF HUALING AUTOMOBILE

| 车型名称<br>Model Name | 前轴<br>Front Axle   |       |  |       | 驱动桥<br>Driving Axle             |                                     |                            |                                | 发动机<br>Engine |         |         |         |          |          |          | 取力器<br>Power Take-Off |                                  |                                |
|--------------------|--|-------|--|-------|---------------------------------|-------------------------------------|----------------------------|--------------------------------|---------------|---------|---------|---------|----------|----------|----------|-----------------------|----------------------------------|--------------------------------|
|                    | 分度圆直径<br>Graduated Circle<br>Diameter<br>解放刚性前桥<br>JIEFANG Steel Front<br>Axle |       | 分度圆直径<br>Graduated Circle<br>Diameter<br>泰州刚性前桥<br>TAIZHOU Steel Front<br>Axle |       | 457 单后桥<br>457 Single Rear Axle | STEYR 单后桥<br>STEYR Single Rear Axle | 457 串联桥<br>457 Tandem Axle | STEYR 串联桥<br>STEYR Tandem Axle | C260 20       | C300 20 | L345 20 | L375 20 | WD615.31 | WD615.34 | WD615.38 | WD615.50              | 康明斯取力器<br>CUMMINS Power Take-Off | 斯太尔取力器<br>STEYR Power Take-Off |
|                    | φ 285.75   | φ 335 | φ 285.75   | φ 335 |                                 |                                     |                            |                                |               |         |         |         |          |          |          |                       |                                  |                                |
| HN1210P26E3MJ      |  | ○     |  | ○     | 4.875                           |                                     |                            |                                | √             |         |         |         |          |          |          |                       |                                  |                                |
| HN1250G4DJ         |  | ○     |  | ○     |                                 |                                     | 4.875                      |                                |               | √       |         |         |          |          |          |                       |                                  |                                |
| HN1250G26E8MJ      |  | ○     |  | ○     |                                 |                                     | 4.875                      |                                | √             |         |         |         |          |          |          |                       |                                  |                                |
| HN1310G3DJ         |  | ○     |  | ○     |                                 |                                     |                            | 5.73                           |               |         |         |         |          |          | √        |                       |                                  |                                |
| HN3220P28D7M       |  | ○     |  | ○     |                                 |                                     |                            | 4.80                           |               |         |         |         | √        |          |          |                       |                                  |                                |
| HN3250P26D4MJ      |  | ○     |  | ○     |                                 |                                     |                            | 5.73                           |               |         |         |         |          |          |          | √                     |                                  |                                |
| HN3250P34C6MJ      |  | ○     |  | ○     |                                 |                                     |                            | 5.73                           |               |         |         |         | √        |          |          |                       |                                  |                                |
| HN3250P35D4MJ      |  | ○     |  | ○     |                                 |                                     |                            | 5.73                           |               |         |         |         | √        |          |          |                       |                                  |                                |
| HN3250P34C6M       |  | ○     |  | ○     |                                 |                                     |                            | 5.73                           |               |         | √       |         |          |          |          |                       | √                                |                                |
| HN3250P34C6M       |  | ○     |  | ○     |                                 |                                     |                            | 5.73                           |               |         |         |         |          |          | √        |                       |                                  |                                |
| HN3250G6D          |  | ○     |  | ○     |                                 |                                     |                            | 5.833                          |               |         | √       |         |          |          |          |                       |                                  |                                |
| HN3250P34C6MJ      |  | ○     |  | ○     |                                 |                                     |                            | 5.833                          |               |         |         |         |          | √        |          |                       |                                  | √                              |

注：“√”代表基本配置，“○”代表定货时可选配置。

Note: “√” Standard, “○” Optional



# 华菱汽车基本配置明细表

## BASIC CONFIGURATION LIST OF HUALING AUTOMOBILE

| 车型名称<br>Model Name | 离合器<br>Clutch |            |             |            |            |       | 变速箱<br>Transmission |           |          |           | 转向器<br>Steering<br>Gear |       | ABS           | 车架（以轴距为分类标准）<br>Frame(Classified By Wheelbase) |           |           |           |      |           |           |           |                |                |                | 备注<br>Remark |           |
|--------------------|---------------|------------|-------------|------------|------------|-------|---------------------|-----------|----------|-----------|-------------------------|-------|---------------|--|-----------|-----------|-----------|------|-----------|-----------|-----------|----------------|----------------|----------------|--------------|-----------|
|                    | FD430A-175    | FD430A-195 | FD430A-195H | FD430A-225 | FD430A-L30 | SACHS | 9JS119              | 9JS150T-B | 12JS160T | RT-11509C | ZF8098                  | ZJ110 | 4S/4M D-BASIC | 3600+1350                                      | 4400+1350 | 4100+1350 | 3200+1350 | 3400 | 4710+1350 | 5220+1350 | 5850+1350 | 1850+3370+1350 | 1850+4000+1350 | 1850+4605+1350 |              | 1850+5310 |
| HN1210P26E3MJ      |               | √          |             |            |            |       |                     |           |          | ○         | ○                       |       |               |  |           |           |           |      |           |           |           |                |                |                |              | √         |
| HN1250G4DJ         |               | √          |             |            |            |       |                     |           |          | ○         | ○                       |       |               |  |           |           |           |      |           | √         |           |                |                |                |              |           |
| HN1250G26E8MJ      |               | √          |             |            |            |       |                     | √         |          | ○         | ○                       |       |               |  |           |           |           |      |           |           | √         |                |                |                |              |           |
| HN1310G3DJ         |               |            |             |            | √          |       |                     |           | √        | ○         | ○                       |       |               |  |           |           |           |      |           |           |           |                |                | √              |              |           |
| HN3220P28D7M       |               |            |             | √          |            |       |                     |           |          | ○         | ○                       |       |               |  |           |           |           |      | √         |           |           |                |                |                |              |           |
| HN3250P26D4MJ      |               | √          |             |            |            |       |                     |           | √        | ○         | ○                       |       |               | √  |           |           |           |      |           |           |           |                |                |                |              |           |
| HN3250P34C6MJ      |               |            |             | √          |            |       |                     |           | √        | ○         | ○                       |       | √             |  |           |           |           |      |           |           |           |                |                |                |              |           |
| HN3250P35D4MJ      |               |            |             | √          |            |       |                     | √         |          | ○         | ○                       |       |               |  | √         |           |           |      |           |           |           |                |                |                |              |           |
| HN3250P34C6M       |               |            |             | √          |            |       |                     |           |          | ○         | ○                       |       | √             |  |           |           |           |      |           |           |           |                |                |                |              |           |
| HN3230P4C6W        |               | √          |             |            |            |       |                     |           |          | ○         | ○                       |       | √             |  |           |           |           |      |           |           |           |                |                |                |              |           |
| HN3250G6D          |               | √          |             |            |            |       |                     |           |          | ○         | ○                       |       | √             |  |           |           |           |      |           |           |           |                |                |                |              |           |
| HN3250P34C6MJ      |               |            |             | √          |            |       |                     |           | √        | ○         | ○                       |       | √             |  |           |           |           |      |           |           |           |                |                |                |              |           |

注：“√”代表基本配置，“○”代表定货时可选配置。

Note：“√” Standard, “○” Optional

# 华菱汽车基本配置明细表

## BASIC CONFIGURATION LIST OF HUALING AUTOMOBILE

| 车型名称<br>Model Name | 前轴<br>Front Axle   |       |  |       | 驱动桥<br>Driving Axle             |                                     |                            |                                | 发动机<br>Engine |         |         |         |          |          | 取力器<br>Power Take-Off |          |                                  |                                |
|--------------------|--|-------|--|-------|---------------------------------|-------------------------------------|----------------------------|--------------------------------|---------------|---------|---------|---------|----------|----------|-----------------------|----------|----------------------------------|--------------------------------|
|                    | 分度圆直径<br>Graduated Circle<br>Diameter<br>解放刚性前桥<br>JIEFANG Steel Front<br>Axle |       | 分度圆直径<br>Graduated Circle<br>Diameter<br>泰州刚性前桥<br>TAIZHOU Steel Front<br>Axle |       | 457 单后桥<br>457 Single Rear Axle | STEYR 单后桥<br>STEYR Single Rear Axle | 457 串联桥<br>457 Tandem Axle | STEYR 串联桥<br>STEYR Tandem Axle | C260 20       | C300 20 | L345 20 | L375 20 | WD615.31 | WD615.34 | WD615.38              | WD615.50 | 康明斯取力器<br>CUMMINS Power Take-Off | 斯太尔取力器<br>STEYR Power Take-Off |
|                    | φ 285.75   | φ 335 | φ 285.75   | φ 335 |                                 |                                     |                            |                                |               |         |         |         |          |          |                       |          |                                  |                                |
| HN3270P34DLMJ      |  | ○     |  | ○     |                                 |                                     |                            | 5.73                           |               |         | √       |         |          |          |                       |          |                                  |                                |
| HN3270P5DLWJ       |  | ○     |  | ○     |                                 |                                     |                            | 5.730                          |               |         |         |         |          |          | √                     |          |                                  |                                |
| HN3310P34C3MJ      |  | ○     |  | ○     |                                 |                                     |                            | 5.73                           |               |         |         |         | √        |          |                       |          |                                  |                                |
| HN3310P34C3MJ      |  | ○     |  | ○     |                                 |                                     |                            | 5.73                           |               |         |         |         | √        |          |                       |          |                                  |                                |
| HN3310P34C3MJ      |  | ○     |  | ○     |                                 |                                     |                            | 5.833                          |               |         | √       |         |          |          |                       | √        |                                  |                                |
| HN4180G1C4W        |  | ○     |  | ○     |                                 |                                     |                            | 4.800                          |               |         | √       |         |          |          |                       |          |                                  |                                |
| HN4180G6D          |  | ○     |  | ○     |                                 |                                     |                            | 4.8                            |               |         |         |         |          |          | √                     |          |                                  |                                |
| HN4180G1C4W        |  | ○     |  | ○     |                                 |                                     |                            | 4.800                          |               |         |         |         | √        |          |                       |          |                                  |                                |
| HN4250G4CLW        |  | ○     |  | ○     |                                 |                                     |                            | 4.8                            |               |         | √       |         |          |          |                       |          |                                  |                                |
| HN4250G38CLM       |  | ○     |  | ○     |                                 |                                     |                            | 4.80                           |               |         |         |         |          | √        |                       |          |                                  |                                |
| HN4250G38CLM       |  | ○     |  | ○     |                                 |                                     |                            | 4.80                           |               |         | √       |         |          |          |                       |          |                                  |                                |
| HN3250P26D4M       |  | ○     |  | ○     |                                 |                                     |                            | 5.833                          |               |         |         |         |          |          | √                     |          |                                  |                                |

注：“√”代表基本配置，“○”代表定货时可选配置。

Note: “√” Standard, “○” Optional

# 华菱汽车基本配置明细表

## BASIC CONFIGURATION LIST OF HUALING AUTOMOBILE

| 车型名称<br>Model Name | 离合器<br>Clutch |            |             |            |            |       | 变速箱<br>Transmission |           |          |           | 转向器<br>Steering<br>Gear |       | ABS           | 车架（以轴距为分类标准）<br>Frame(Classified By Wheelbase) |           |           |           |      |           |           |           |                |                |                |           | 备注<br>Remark |  |  |  |  |  |  |  |  |  |
|--------------------|---------------|------------|-------------|------------|------------|-------|---------------------|-----------|----------|-----------|-------------------------|-------|---------------|--|-----------|-----------|-----------|------|-----------|-----------|-----------|----------------|----------------|----------------|-----------|--------------|--|--|--|--|--|--|--|--|--|
|                    | FD430A-175    | FD430A-195 | FD430A-195H | FD430A-225 | FD430A-L30 | SACHS | 9JS119              | 9JS150T-B | 12JS160T | RT-11509C | ZF8098                  | ZJ110 | 4S/4M D-BASIC | 3600+1350                                      | 4400+1350 | 4100+1350 | 3200+1350 | 3400 | 4710+1350 | 5220+1350 | 5850+1350 | 1850+3370+1350 | 1850+4000+1350 | 1850+4605+1350 | 1850+5310 |              |  |  |  |  |  |  |  |  |  |
| HN3270P34DLMJ      |               |            |             | √          |            |       |                     | √         |          |           |                         | ○     | ○             |  |           |           |           |      |           |           |           |                |                |                |           |              |  |  |  |  |  |  |  |  |  |
| HN3270P5DLWJ       |               | √          |             |            |            |       |                     |           |          |           |                         | ○     | ○             |  |           |           |           |      |           |           |           |                |                |                |           |              |  |  |  |  |  |  |  |  |  |
| HN3310P34C3MJ      |               |            |             | √          |            |       |                     |           |          | √         |                         | ○     | ○             |  |           |           |           |      |           |           |           |                |                |                |           |              |  |  |  |  |  |  |  |  |  |
| HN3310P34C3MJ      |               |            |             | √          |            |       |                     |           |          | √         |                         | ○     | ○             |  |           |           |           |      |           |           |           |                |                |                |           |              |  |  |  |  |  |  |  |  |  |
| HN3310P34C3MJ      |               |            |             | √          |            |       |                     | √         |          |           |                         | ○     | ○             |  |           |           |           |      |           |           |           |                |                |                |           |              |  |  |  |  |  |  |  |  |  |
| HN4180G1C4W        |               |            |             | √          |            |       |                     | √         |          |           |                         | ○     | ○             | ○  |           |           |           |      |           | √         |           |                |                |                |           |              |  |  |  |  |  |  |  |  |  |
| HN4180G6D          |               | √          |             |            |            |       |                     |           |          |           |                         | ○     | ○             | ○  |           |           |           |      |           | √         |           |                |                |                |           |              |  |  |  |  |  |  |  |  |  |
| HN4180G1C4W        |               |            |             | √          |            |       |                     |           |          | √         |                         | ○     | ○             | ○  |           |           |           |      |           | √         |           |                |                |                |           |              |  |  |  |  |  |  |  |  |  |
| HN4250G4CLW        |               |            |             | √          |            |       |                     |           |          | √         |                         | ○     | ○             | ○  |           |           |           |      |           |           | √         |                |                |                |           |              |  |  |  |  |  |  |  |  |  |
| HN4250G38CLM       |               |            |             |            | √          |       |                     |           | √        |           |                         | ○     | ○             | ○  |           |           |           |      |           |           |           | √              |                |                |           |              |  |  |  |  |  |  |  |  |  |
| HN4250G38CLM       |               |            |             |            | √          |       |                     |           |          | √         |                         | ○     | ○             | ○  |           |           |           |      |           |           |           | √              |                |                |           |              |  |  |  |  |  |  |  |  |  |
| HN3250P26D4M       |               | √          |             |            |            |       | √                   |           |          |           |                         | ○     | ○             |  |           |           |           |      |           |           |           |                |                |                |           |              |  |  |  |  |  |  |  |  |  |

注：“√”代表基本配置，“○”代表定货时可选配置。

Note: “√” Standard, “○” Optional



# 目 录

## CONTENT

### 10、发动机系统 /ENGINE SYSTEM

| 图号<br>No. Of Figure | 名称<br>Name   | 适用产品<br>Products Applied           | 备注<br>Remark | 页次<br>Page |
|---------------------|--|------------------------------------|--------------|------------|
| 10-A                | 参数牌组 (AP9481)<br>PARAMETER PLATE SET(AP9481)                         | L375 20、L345 20                    |              | 10-1       |
| 10-A                | 缸体冷却管路组 (BB9216)<br>CYLINDER BLOCK COOLING LINE SET(BB9216)          | L375 20                            |              | 10-1       |
| 10-B                | 缸体组 (BB 9171)<br>CYLINDER BLOCK SET(BB 9171)                         | L375 20、L345 20                    |              | 10-3       |
| 10-B                | 缸体组 (BB 9171)<br>CYLINDER BLOCK SET(BB 9171)                         | L375 20、L345 20                    |              | 10-5       |
| 10-C                | 冷却液辅助连接管组 (CH9087)<br>COOLANT SUB-CONNECTING PIPE SET (CH9087)       | 东风康明斯系列<br>DONGFENG CUMMINS Series |              | 10-7       |
| 10-C                | 缸体管路连接件组 (BB9213)<br>BLOCK LINE CONNECTOR SET(BB9213)                | L375 20、L345 20                    |              | 10-7       |
| 10-D                | 齿轮室组 (BB9881)<br>GEAR HOUSING SET(BB9881)                            | 东风康明斯系列<br>DONGFENG CUMMINS Series |              | 10-9       |
| 10-E                | 曲轴箱通风组 (BR 9239)<br>CRANKCASE VENTILATION SET(BR 9239)               | L375 20、L345 20                    |              | 10-11      |
| 10-E                | 空压机冷却水管组 (CC9297)<br>AIR COMPRESSOR COOLING PIPE SET(CC9297)         | L375 20、L345 20                    |              | 10-11      |
| 10-F                | 空压机组 (CP9510)<br>AIR COMPRESSOR SET(CP9510)                          | L375 20、L345 20、C230 20、C325 20    |              | 10-13      |
| 10-F                | 变速箱第一前轴承 (CL 9079)<br>TRANSMISSION NO.1 FRONT SHAFT BEARING(CL 9079) | L375 20、L345 20                    |              | 10-13      |

| 图号<br>No. Of Figure | 名称<br>Name   | 适用产品<br>Products Applied                          | 备注<br>Remark | 页次<br>Page |
|---------------------|--|---|--------------|------------|
| 10-G                | 扭振减振器组 (DA 9155)<br>TORSIONAL DAMPER SET(DA 9155)                                    | L375 20、L345 20                                   |              | 10-15      |
| 10-G                | 搭铁线组 (EA 9089)<br>GROUND CABLE SET(EA 9089)  | L375 20、L345 20、C230 20、C325 20                   |              | 10-15      |
| 10-H                | 节温器组 (EC9702)<br>THERMOSTAT SET(EC9702)  | L375 20、C260 20、C325 20、L345 20、C230 20           |              | 10-17      |
| 10-H                | 传感器总成组 (E0 9104)<br>SENSOR ASSEMBLY SET(E0 9104)                                     | L375 20、C260 20、C325 20、L345 20、C230 20           |              | 10-17      |
| 10-H                | 发电机安装件组 (EH 9591)<br>GENERATOR MOUNTING PART SET(EH 9591)                            | L375 20、C260 20、C325 20、L345 20、C230 20           |              | 10-17      |
| 10-I                | 风扇驱动件组 (FA 9310)<br>FAN DRIVE SET(FA 9310)   | 东风康明斯系列<br>DONGFENG CUMMINS Series                |              | 10-19      |
| 10-I                | 风扇驱动件组 (FA 9739)<br>FAN DRIVE SET(FA 9739)   | L375 20、C260 20、C325 20、L345 20、C230 20           |              | 10-19      |
| 10-J                | 增压补偿器连接管组 (FE 9043)<br>SUPERCHARGE BOOST COMPENSATOR CONNECTING<br>PIPE SET(FE 9043) | L375 20、L345 20                                   |              | 10-21      |
| 10-J                | 增压补偿器连接管组 (FE 9022)<br>SUPERCHARGE BOOST COMPENSATOR CONNECTING<br>PIPE SET(FE 9022) | L375 20、C325 20                                   |              | 10-21      |
| 10-K                | 燃油滤清器组 (FF 9593)<br>FUEL FILTER SET(FF 9593)   | L375 20、L345 20                                   |              | 10-25      |
| 10-L                | 燃油滤清器连接管路组 (FF 9594)<br>FUEL FILTER CONNECTING LINE SET(FF 9594)                     | L375 20、L345 20                                   |              | 10-27      |
| 10-M                | 飞轮壳组 (FH 9430)<br>FLYWHEEL CASE SET(FH 9430)   | 所有东风康明斯搅拌车系列<br>All DONGFENG CUMMINS Mixer Series |              | 10-29      |
| 10-N                | 燃油泵安装组 (FP90370)<br>FUEL PUMP MOUNTING SET(FP 90370)                                 | L375 20、L345 20                                   |              | 10-31      |

| 图号<br>No. Of Figure | 名称<br>Name  | 适用产品<br>Products Applied                          | 备注<br>Remark | 页次<br>Page |
|---------------------|---|---|--------------|------------|
| 10-O                | 输油泵总成 (FS 9849)<br>FUEL SUPPLY PUMP ASSEMBLY(FS 9849)               | L375 20、L345 20                                   |              | 10-35      |
| 10-O                | 燃油泵组 (FP 90545)<br>FUEL PUMP SET(FP 90545)                          | L375 20 、 C230 20                                 |              | 10-35      |
| 10-P                | 燃油管路组 (FT 9127)<br>FUEL PIPING SET(FT 9127)                         | L375 20、L345 20                                   |              | 10-37      |
| 10-P                | 飞轮组 (FW 9782)<br>FLYWHEEL SET(FW 9782)                              | 所有东风康明斯搅拌车系列<br>All DONGFENG CUMMINS Mixer Series |              | 10-37      |
| 10-Q                | 飞轮安装件组 (FW 90025)<br>FLYWHEEL MOUNTING PART SET(FW 90025)           | 所有东风康明斯搅拌车系列<br>All DONGFENG CUMMINS Mixer Series |              | 10-39      |
| 10-Q                | 齿轮室盖安装件组 (GG 9804)<br>GEAR HOUSING COVER MOUNTING PART SET(GG 9804) | 东风康明斯系列<br>DONGFENG CUMMINS Series                |              | 10-39      |
| 10-R                | 齿轮室盖组 (GG 9806)<br>GEAR HOUSING COVER SET(GG 9806)                  | 东风康明斯系列<br>DONGFENG CUMMINS Series                |              | 10-41      |
| 10-R                | 暖风安装件组 (HC 9046)<br>HEATER MOUNTING PART SET(HC 9046)               | L375 20、L345 20                                   |              | 10-41      |
| 10-S                | 液力转向泵组 (HD 9131)<br>HYDRAULIC POWER STEERING PUMP SET(HD 9131)      | L375 20 、 C230 20                                 |              | 10-43      |
| 10-S                | 进气连接件组 (IC 9450)<br>INTAKE ATTACHMENT SET(IC 9450)                  | L375 20 、 C230 20                                 |              | 10-43      |
| 10-T                | 进气歧管组 (IM 9101)<br>INTAKE MANIFOLD SET(IM 9101)                     | L375 20、L345 20                                   |              | 10-45      |
| 10-T                | 发动机吊耳组 (LA 9028)<br>ENGINE SHACKLE SET(LA 9028)                     | L375 20、L345 20                                   |              | 10-45      |
| 10-U                | 机油冷却器组 (LC 9765)<br>OIL COOLER SET(LC 9765)                         | L375 20、L345 20                                   |              | 10-47      |
| 10-V                | 机油滤清器组 (LF 9130)<br>OIL FILTER SET(LF 9130)                         | 东风康明斯系列<br>DONGFENG CUMMINS Series                |              | 10-51      |

| 图号<br>No. Of Figure | 名称<br>Name  | 适用产品<br>Products Applied           | 备注<br>Remark | 页次<br>Page |
|---------------------|---|------------------------------------|--------------|------------|
| 10-V                | 机油标尺组 (LG 9898)<br>OIL DIPSTICK SET(LG 9898)                    | L375 20、L345 20                    |              | 10-51      |
| 10-V                | 机油组 (LO 9701)<br>OIL SET(LO 9701)                               | L375 20、L345 20                    |              | 10-51      |
| 10-V                | 机油泵组 (LP 9724)<br>OIL PUMP SET(LP 9724)                         | L375 20、L345 20                    |              | 10-51      |
| 10-W                | 油门操纵组 (MS 9067)<br>THROTTLE CONTROL SET(MS 9067)                | L375 20 、 C325 20、 L345 20         |              | 10-53      |
| 10-W                | 附件驱动皮带轮组 (PA 9001)<br>ACCESSORY DRIVE BELT PULLEY SET(PA 9001)  | 东风康明斯系列<br>DONGFENG CUMMINS Series |              | 10-53      |
| 10-X                | 缸体加油附件组 (OB 9363)<br>CYLINDER OIL FILLER ACCESSORY SET(OB 9363) | L375 20、L345 20                    |              | 10-55      |
| 10-X                | 缸体加油附件组 (OB 9377)<br>CYLINDER OIL FILLER ACCESSORY SET(OB 9377) | L375 20、L345 20                    |              | 10-55      |
| 10-Y                | 油底壳组 (OP 9337)<br>OIL PAN SET(OP 9337)                          | L375 20、L345 20                    |              | 10-57      |
| 10-Y                | 油底壳组 (OP 9337)<br>OIL PAN SET(OP 9337)                          | L375 20、L345 20                    |              | 10-59      |
| 10-Z                | 性能件组 (PP 40388)<br>FUNCTIONAL PART SET(PP 40388)                | L375 20、L345 20                    |              | 10-61      |
| 10-Z                | 性能件组 (PP 40388)<br>FUNCTIONAL PART SET(PP 40388)                | L375 20、L345 20                    |              | 10-63      |
| 10-Z                | 性能件组 (PP 40388)<br>FUNCTIONAL PART SET(PP 40388)                | L375 20、L345 20                    |              | 10-65      |
| 10-AA               | 增压器组 (PP 98671)<br>SUPERCHARGER SET(PP 98671)                   | L375 20、L345 20                    |              | 10-69      |
| 10-AA               | 缸盖管路组 (PP 98993)<br>CYLINDER HEAD LINE SET(PP 98993)            | L375 20、L345 20                    |              | 10-69      |



| 图号<br>No. Of Figure | 名称<br>Name   | 适用产品<br>Products Applied        | 备注<br>Remark | 页次<br>Page |
|---------------------|--|---------------------------------|--------------|------------|
| 10-AB               | 摇臂组 (RL 9757)<br>ROCKER ARM SET(RL 9757)                     | L375 20                         |              | 10-71      |
| 10-AB               | 摇臂组 (RL 9768)<br>ROCKER ARM SET(RL 9768)                     | L375 20                         |              | 10-71      |
| 10-AC               | 发动机出气管组 (RP 9042)<br>ENGINE OUTLET PIPE SET(RP 9042)         | L375 20、L345 20                 |              | 10-73      |
| 10-AC               | 水温传感器组 (SD 9113)<br>WATER TEMPERATURE SENSOR SET(SD 9113)    | L375 20 、C300 20、L345 20        |              | 10-73      |
| 10-AD               | 起动机组 (ST 9344)<br>STARTER SET(ST 9344)                       | L375 20、C260 20、L345 20、C230 20 |              | 10-75      |
| 10-AD               | 压力报警传感器组 (SD 9169)<br>PRESSURE ALARM SENSOR SET(SD 9169)     | L375 20、L345 20、C230 20         |              | 10-75      |
| 10-AD               | 起动机安装件组 (SM 9772)<br>STARTER MOUNTING PART SET (SM 9772)     | L375 20、L345 20                 |              | 10-75      |
| 10-AE               | 增压器布置组 (TB 91272)<br>SUPERCHARGER LAYOUT SET(TB 91272)       | L375 20、L345 20                 |              | 10-77      |
| 10-AE               | 扭矩转换器冷却组 (TK 9022)<br>TORQUE CONVERTER COOLING SET(TK 9022)  | L375 20、C300 20、L345 2、C230 20  |              | 10-77      |
| 10-AF               | 增压器管路组 (TP 97236)<br>SUPERCHARGER LINE SET(TP 97236)         | L375 20、C325 20、L345 20         |              | 10-79      |
| 10-AG               | 水滤清器组 (WF 9094)<br>WATER FILTER SET(WF 9094)                 | L375 20、C300 20、C325 20、L345 20 |              | 10-81      |
| 10-AH               | 气阀罩组 (VC 9775)<br>VAVLE COVER SET(VC 9775)                   | L375 20、L345 20                 |              | 10-83      |
| 10-AH               | 进水连接管组 (WI 9145)<br>WATER INLET CONNECTING PIPE SET(WI 9145) | L375 20、C300 20、L345 20         |              | 10-83      |
| 10-AI               | 水泵组 (WP 9101)<br>WATER PUMP SET(WP 9101)                     | L375 20、L345 20                 |              | 10-85      |

| 图号<br>No. Of Figure | 名称<br>Name   | 适用产品<br>Products Applied                | 备注<br>Remark | 页次<br>Page |
|---------------------|--|---|--------------|------------|
| 10-AI               | 出水连接管组 (W0 9052)<br>WATER OUTLET CONNECTING PIPE SET(WO 9052)    | 东风康明斯系列<br>DONGFENG CUMMINS Series      |              | 10-85      |
| 10-AJ               | 皮带张紧轮组 (WP 9916)<br>BELT TENSIONER PULLEY SET(WP 9916)           | L375 20、C300 20、C325 20、L345 20         |              | 10-87      |
| 10-AJ               | 水泵附件驱动组 (WP 9963)<br>WATER PUMP ACCESSORY DRIVE SET(WP 9963)     | 东风康明斯系列<br>DONGFENG CUMMINS Series      |              | 10-87      |
| 10-AK               | 发动机悬置系统<br>ENGINE MOUNTING SYSTEM                                | 东风康明斯系列<br>DONGFENG CUMMINS Series      |              | 10-89      |
| 10-AL               | 发动机悬置系统<br>ENGINE MOUNTING SYSTEM                                | 东风康明斯系列<br>DONGFENG CUMMINS Series      |              | 10-91      |
| 10-AM               | 发动机悬置系统<br>ENGINE MOUNTING SYSTEM                                | 东风康明斯系列<br>DONGFENG CUMMINS Series      |              | 10-95      |
| 10-AN               | 发动机悬置系统<br>ENGINE MOUNTING SYSTEM                                | 东风康明斯系列<br>DONGFENG CUMMINS Series      |              | 10-97      |
| 10-AO               | 发动机悬置系统<br>ENGINE MOUNTING SYSTEM                                | 东风康明斯系列<br>DONGFENG CUMMINS Series      |              | 10-99      |
| 10-AP               | 发动机悬置系统<br>ENGINE MOUNTING SYSTEM                                | 东风康明斯系列<br>DONGFENG CUMMINS Series      |              | 10-101     |
| 10-AQ               | 参数牌组 (AP 9382)<br>PARAMETER PLATE SET(AP 9382)                   | C260 20、C300 20、C325 20、L345 20、C230 20 |              | 10-103     |
| 10-AQ               | 缸体冷却管路组 (BB 9200)<br>CYLINDER BLOCK COOLING LINE SET(BB 9200)    | C260 20、C300 20、C325 20、C230 20         |              | 10-103     |
| 10-AR               | 缸体管路连接件组 (BB 9091)<br>CYLINDER BLOCK LINE CONNECTOR SET(BB 9091) | C260 20、C300 20、C325 20、C230 20         |              | 10-105     |
| 10-AR               | 空压机冷却水管组 (CC 9274)<br>AIR COMPRESSOR COOLING PIPE SET(CC 9274)   | C260 20、C300 20、C325 20、C230 20         |              | 10-105     |
| 10-AS               | 缸体组 (BB 9110)<br>CYLINDER BLOCK SET (BB 9110)                    | C260 20、C325 20、C300 20、C230 20         |              | 10-107     |

| 图号<br>No. Of Figure | 名称<br>Name   | 适用产品<br>Products Applied        | 备注<br>Remark | 页次<br>Page |
|---------------------|--|---------------------------------|--------------|------------|
| 10-AS               | 缸体组 (BB 9110)<br>CYLINDER BLOCK SET (BB 9110)  | C260 20、C325 20、C300 20、C230 20 |              | 10-109     |
| 10-AT               | 曲轴箱通风组 (BR 9198)<br>CRANKCASE VENTILATION SET(BR 9198)                               | C260 20、C325 20、C230 20         |              | 10-111     |
| 10-AU               | 空调驱动件组 (CF 9120)<br>AIR CONDITIONER DRIVER SET(CF 9120)                              | C260 20、L345 20                 |              | 10-113     |
| 10-AU               | 空调组件 (CF 9089)<br>AIR CONDITIONER SET(CF 9089)                                       | C260 20                         |              | 10-113     |
| 10-AU               | 变速箱第一前轴承 (CL 9079)<br>TRANSMISSION NO.1 FRONT SHAFT BEARING(CL 9079)                 | C260 20、C230                    |              | 10-113     |
| 10-AV               | 空压机组 (CP 9510)<br>AIR COMPRESSOR SET(CP 9510)  | C260 20                         |              | 10-117     |
| 10-AV               | 搭铁线组 (EA 9089)<br>GROUND WIRE SET(EA 9089)   | C260 20 、C300 20                |              | 10-117     |
| 10-AW               | 增压补偿器连接管组 (FE 9023)<br>SUPERCHARGE BOOST COMPENSTAOR CONNECTING<br>PIPE SET(FE 9023) | C260 20、C300 20、C325 20、C230 20 |              | 10-119     |
| 10-AW               | 燃油滤清器组 (FF 9340)<br>FUEL FILTER SET(FF 9340)   | C260 20、C300 20、C325 20、C230 20 |              | 10-119     |
| 10-AX               | 燃油滤清器连接管组 (FF 9489)<br>FUEL FILTER CONNECTING PIPE SET(FF 9489)                      | C260 20、C325 20、C230 20         |              | 10-121     |
| 10-AX               | 扭振减振器组 (DA 9728)<br>TORSIONAL DAMPER SET(DA 9728)                                    | C260 20、C325 20、C230 20         |              | 10-121     |
| 10-AY               | 燃油泵连接件组 (FP 99001)<br>FUEL PUMP CONNECTING PART SET(FP 99001)                        | C260 20、C300 20、C325 20、C230 20 |              | 10-123     |
| 10-AY               | 基本燃油泵组 (FP 90145)<br>BASE FUEL PUMP SET(FP 90145)                                    | C260 20、C300 20、C325 20         |              | 10-123     |
| 10-AZ               | 供油系附件组 (FS 9724)<br>OIL SUPPLY SYSTEM ACCESSORY SET(FS 9724)                         | C260 20、C325 20、C230 20         |              | 10-127     |

| 图号<br>No. Of Figure | 名称<br>Name  | 适用产品<br>Products Applied        | 备注<br>Remark | 页次<br>Page |
|---------------------|---|---------------------------------|--------------|------------|
| 10-AZ               | 飞轮组 (FW 9763)<br>FLYWHEEL SET(FW 9763)                          | C260 20、C325 20、C230 20         |              | 10-127     |
| 10-BA               | 燃油管路组 (FT 9142)<br>FUEL LINE SET(FT 9142)                       | C260 20、C300 20、C325 20、C230 20 |              | 10-129     |
| 10-BA               | 飞轮安装件组 (FW 90025)<br>FLYWHEEL MOUNTING PART SET(FW 90025)       | C260 20、C300 20、C325 20、C230 20 |              | 10-129     |
| 10-BB               | 液力转向泵组 (FT 9127)<br>HYDRAULTC POWER STEERING PUMP SET(FT 9127)  | C260 20                         |              | 10-131     |
| 10-BB               | 暖风安装件组 (HC 9023)<br>HEATER MOUNTING PART SET(HC 9023)           | C260 20、C325 20                 |              | 10-131     |
| 10-BB               | 进气接头组 (IC 9359)<br>INTAKE CONNECTOR SET(IC 9359)                | C260 20、C300 20、C230 20、C325 20 |              | 10-131     |
| 10-BC               | 进气歧管盖组 (IM 9717)<br>INTAKE MANIFOLD COVER SET(IM 9717)          | C260 20、C300 20、C230 20、C325 20 |              | 10-133     |
| 10-BC               | 发动机吊耳组 (LA 9068)<br>ENGINE SHACKLE SET(LA 9068)                 | C260 20、C300 20、C230 20、C325 20 |              | 10-133     |
| 10-BC               | 机油泵组 (LP 9725)<br>OIL PUMP SET(LP 9725)                         | C260 20、C300 20、C230 20、C325 20 |              | 10-133     |
| 10-BD               | 机油冷却器组 (LC 9227)<br>OIL COOLER SET(LC 9227)                     | C260 20、C300 20、C230 20、C325 20 |              | 10-135     |
| 10-BD               | 机油标尺组 (LG 90021)<br>OIL DIPSTICK SET(LG 90021)                  | C260 20、C300 20、C230 20、C325 20 |              | 10-135     |
| 10-BE               | 缸体加油附件组 (OB 9377)<br>CYLINDER OIL FILLER ACCESSORY SET(OB 9377) | C260 20                         |              | 10-139     |
| 10-BE               | 缸盖冷却管路组 (PP 98459)<br>CYLINDER HEAD COOLING LINE SET(PP 98459)  | C260 20、C300 20、C230 20、C325 20 |              | 10-139     |
| 10-BE               | 喷油器管路组 (PP 98838)<br>INJECTOR LINE SET(PP 98838)                | C260 20、C300 20、C230 20、C325 20 |              | 10-139     |

| 图号<br>No. Of Figure | 名称<br>Name  | 适用产品<br>Products Applied        | 备注<br>Remark | 页次<br>Page |
|---------------------|---|---------------------------------|--------------|------------|
| 10-BF               | 油门操纵组 (MS 9067)<br>THROTTLE CONTROL SET(MS 9067)              | C260 20、C300 20、C230            |              | 10-141     |
| 10-BF               | 增压器组 (PP 98565)<br>SUPERCHARGER SET(PP 98565)                 | C260 20                         |              | 10-141     |
| 10-BF               | 摇臂组 (RL 9732)<br>ROCKER ARM SET(RL 9732)                      | C260 20、C300 20、C230 20、C325 20 |              | 10-141     |
| 10-BF               | 发动机冷却液出气组 (RP 9071)<br>ENGINE COOLANT DEAERATION SET(RP 9071) | C260 20、C300 20、C230 20、C325 20 |              | 10-141     |
| 10-BG               | 油底壳组 (OP 9352)<br>OIL PAN SET(OP 9352)                        | C300 20、C325 20、C230 20、C260 20 |              | 10-145     |
| 10-BG               | 压力报警传感器组 (SD 9112)<br>PRESSURE ALARM SENSOR SET(SD 9112)      | C260 20、C300 20、C325 20、C230 20 |              | 10-145     |
| 10-BH               | 性能件组 (PP 40303)<br>FUNCTIONAL PART SET(PP 40303)              | C260 20                         |              | 10-149     |
| 10-BH               | 性能件组 (PP 40303)<br>FUNCTIONAL PART SET(PP 40303)              | C260 20                         |              | 10-151     |
| 10-BH               | 性能件组 (PP 40303)<br>FUNCTIONAL PART SET(PP 40303)              | C260 20                         |              | 10-153     |
| 10-BI               | 扭矩转换器冷却组 (TK 9022)<br>TORQUE CONVERTER COOLING SET(TK 9022)   | C260 20、C325 20                 |              | 10-157     |
| 10-BI               | 水温传感器组 (SD 9113)<br>WATER TEMPERATURE SENSOR SET(SD 9113)     | C260 20、C325 20、C230 20         |              | 10-157     |
| 10-BI               | 起动机组 (ST 9377)<br>STARTER SET(ST 9377)                        | C260 20                         |              | 10-157     |
| 10-BJ               | 气阀室罩组 (VC 9221)<br>AIR VALVE CHEST COVER SET(VC 9221)         | C260 20、C300 20、C325 20、C230 20 |              | 10-159     |
| 10-BJ               | 增压器布置组 (TB 9993)<br>SUPERCHARGER LAYOUT SET(TB 9993)          | C260 20、C300 20、C325 20、C230 20 |              | 10-159     |

| 图号<br>No. Of Figure | 名称<br>Name   | 适用产品<br>Products Applied           | 备注<br>Remark | 页次<br>Page |
|---------------------|--|------------------------------------|--------------|------------|
| 10-BJ               | 进水连接管组 (WI 9145)<br>WATER INLET CONNECTING PIPE SET(WI 9145)                         | C260 20、C300 20、C325 20、C230 20    |              | 10-159     |
| 10-BK               | 增压器管路组 (TP 97247)<br>SUPERCHARGER LINE SET(TP 97247)                                 | C260 20、C300 20、C230 20            |              | 10-161     |
| 10-BL               | 水滤清器组 (WF 9094)<br>WATER FILTER SET(WF 9094)   | C260 20、C230 20                    |              | 10-165     |
| 10-BL               | 皮带张紧轮组 (WP 9916)<br>BELT TENSIONER PULLEY SET(WP 9916)                               | C260 20、C230 20                    |              | 10-165     |
| 10-BL               | 水泵组 (WP 9918)<br>WATER PUMP SET(WP 9918)   | C260 20、C300 20、C325 20、C230 20    |              | 10-165     |
| 10-BM               | 发动机前悬置支架组 (EM 9223)<br>ENGINE FRONT MOUNTING BRACKET SET(EM 9223)                    | 东风康明斯系列<br>DONGFENG CUMMINS Series |              | 10-169     |
| 10-BM               | 传感器组 (E0 9135)<br>SENSOR SET( EO 9135)   | C300 20、C325 20、L345 20            |              | 10-169     |
| 10-BM               | 标签组 (LB 9085)<br>LABEL SET(LB 9085)  | C300 20、C325 20、C230 20            |              | 10-169     |
| 10-BM               | 标签组 (LB 9094)<br>LABEL SET(LB 9094)  | C300 20、C325 20、C230 20            |              | 10-169     |
| 10-BN               | 增压补偿器连接管组 (EM 9023)<br>SUPERCHARGE BOOST COMPENSATOR CONNECTING<br>PIPE SET(EM 9223) | C300 20                            |              | 10-171     |
| 10-BN               | 液力转向泵组 (HD 9131)<br>HYDRAULIC POWER STEERING PUMP SET(HD 9131)                       | C300 20、C325 20                    |              | 10-171     |
| 10-BO               | 缸体加油附件组 (OB 9378)<br>CYLINDER OIL FILLER ACCESSORY SET(OB 9378)                      | C300 20、C325 20、C230 20            |              | 10-173     |
| 10-BP               | 性能件组 (PP 40333)<br>FUNCTIONAL PART SET(PP 40333)                                     | C300 20                            |              | 10-175     |
| 10-BP               | 性能件组 (PP 40333)<br>FUNCTIONAL PART SET(PP 40333)                                     | C300 20                            |              | 10-177     |

| 图号<br>No. Of Figure | 名称<br>Name  | 适用产品<br>Products Applied            | 备注<br>Remark | 页次<br>Page |
|---------------------|---|-------------------------------------|--------------|------------|
| 10-BP               | 性能件组 (PP 40333)<br>FUNCTIONAL PART SET(PP 40333)                            | C300 20                             |              | 10-179     |
| 10-BQ               | 增压器组 (PP 98484)<br>SUPERCHARGER SET(PP 98484)                               | C300 20                             |              | 10-183     |
| 10-BQ               | 参数牌 (SS 9455)<br>PARAMETER PLATE(SS 9455)                                   | C300 C325、L345 C230                 |              | 10-183     |
| 10-BR               | 进气预热组 (AH 9141)<br>INTAKE PREHEATING SET(AH 9141)                           | L345 20、C325 20、C230 20             |              | 10-185     |
| 10-BR               | 增压器排气连接件组 (XS 9258)<br>SUPERCHARGER EXHAUST CONNECTING PART<br>SET(XS 9258) | L345 20、C325 20、C230 20             |              | 10-185     |
| 10-BS               | 摇臂组 (RL 9774)<br>ROCKER ARM SET(RL 9774)                                    | L345 20                             |              | 10-187     |
| 10-BT               | 性能件组 (PP 40311)<br>FUNCTIONAL PART SET(PP 40311)                            | C230 20                             |              | 10-189     |
| 10-BU               | 增压器组 (PP 98438)<br>SUPERCHARGER SET(PP 98438)                               | C230 20                             |              | 10-197     |
| 10-BV               | 汽缸体 (一)<br>CYLINDER BLOCK I   | 潍柴 WD615 系列<br>WEICHAI WD615 Series |              | 10-199     |
| 10-BV               | 汽缸体 (一)<br>CYLINDER BLOCK I   | 潍柴 WD615 系列<br>WEICHAI WD615 Series |              | 10-201     |
| 10-BW               | 汽缸体 (二)<br>CYLINDER BLOCK II  | 潍柴 WD615 系列<br>WEICHAI WD615 Series |              | 10-205     |
| 10-BW               | 汽缸体 (二)<br>CYLINDER BLOCK II  | 潍柴 WD615 系列<br>WEICHAI WD615 Series |              | 10-207     |
| 10-BW               | 汽缸体 (二)<br>CYLINDER BLOCK II  | 潍柴 WD615 系列<br>WEICHAI WD615 Series |              | 10-209     |
| 10-BW               | 汽缸体 (二)<br>CYLINDER BLOCK II  | 潍柴 WD615 系列<br>WEICHAI WD615 Series |              | 10-211     |

| 图号<br>No. Of Figure | 名称<br>Name                         | 适用产品<br>Products Applied            | 备注<br>Remark | 页次<br>Page |
|---------------------|------------------------------------|-------------------------------------|--------------|------------|
| 10-BX               | 汽缸体（三）<br>CYLINDER BLOCK III       | 潍柴 WD615 系列<br>WEICHAI WD615 Series |              | 10-215     |
| 10-BX               | 汽缸体（三）<br>CYLINDER BLOCK III       | 潍柴 WD615 系列<br>WEICHAI WD615 Series |              | 10-217     |
| 10-BY               | 汽缸体（四）<br>CYLINDER BLOCK IV        | 潍柴 WD615 系列<br>WEICHAI WD615 Series |              | 10-219     |
| 10-BZ               | 曲轴飞轮<br>CRANKSHAFT FLYWHEEL        | 潍柴 WD615 系列<br>WEICHAI WD615 Series |              | 10-223     |
| 10-BZ               | 曲轴飞轮<br>CRANKSHAFT FLYWHEEL        | 潍柴 WD615 系列<br>WEICHAI WD615 Series |              | 10-225     |
| 10-CA               | 连杆和活塞<br>CONNECTING ROD AND PISTON | 潍柴 WD615 系列<br>WEICHAI WD615 Series |              | 10-227     |
| 10-CB               | 汽缸盖总成<br>CYLINDER HEAD ASSEMBLY    | 潍柴 WD615 系列<br>WEICHAI WD615 Series |              | 10-229     |
| 10-CB               | 汽缸盖总成<br>CYLINDER HEAD ASSEMBLY    | 潍柴 WD615 系列<br>WEICHAI WD615 Series |              | 10-231     |
| 10-CC               | 配气机构<br>VALVE MECHANISM            | 潍柴 WD615 系列<br>WEICHAI WD615 Series |              | 10-235     |
| 10-CC               | 配气机构<br>VALVE MECHANISM            | 潍柴 WD615 系列<br>WEICHAI WD615 Series |              | 10-237     |
| 10-CC               | 配气机构<br>VALVE MECHANISM            | 潍柴 WD615 系列<br>WEICHAI WD615 Series |              | 10-239     |
| 10-CD               | 水泵和风扇<br>WATER PUMP AND FAN        | 潍柴 WD615 系列<br>WEICHAI WD615 Series |              | 10-241     |
| 10-CD               | 水泵和风扇<br>WATER PUMP AND FAN        | 潍柴 WD615 系列<br>WEICHAI WD615 Series |              | 10-243     |
| 10-CE               | 水泵总成<br>WATER PUMP ASSEMBLY        | 潍柴 WD615 系列<br>WEICHAI WD615 Series |              | 10-245     |



| 图号<br>No. Of Figure | 名称<br>Name  | 适用产品<br>Products Applied            | 备注<br>Remark | 页次<br>Page |
|---------------------|---|-------------------------------------|--------------|------------|
| 10-CF               | 张紧轮总成<br>TENSIONER PULLEY ASSEMBLY                | 潍柴 WD615 系列<br>WEICHAI WD615 Series |              | 10-247     |
| 10-CG               | 机油泵和机油滤清器 (一)<br>OIL PUMP AND OIL FILTER I        | 潍柴 WD615 系列<br>WEICHAI WD615 Series |              | 10-249     |
| 10-CG               | 机油泵和机油滤清器 (一)<br>OIL PUMP AND OIL FILTER I        | 潍柴 WD615 系列<br>WEICHAI WD615 Series |              | 10-251     |
| 10-CH               | 机油泵和机油滤清器 (二)<br>OIL PUMP AND OIL FILTER II       | 潍柴 WD615 系列<br>WEICHAI WD615 Series |              | 10-255     |
| 10-CI               | 喷油泵高压油管<br>FUEL INJECTION PUMP HIGH PRESSURE PIPE | 潍柴 WD615 系列<br>WEICHAI WD615 Series |              | 10-259     |
| 10-CI               | 喷油泵高压油管<br>FUEL INJECTION PUMP HIGH PRESSURE PIPE | 潍柴 WD615 系列<br>WEICHAI WD615 Series |              | 10-261     |
| 10-CI               | 喷油泵高压油管<br>FUEL INJECTION PUMP HIGH PRESSURE PIPE | 潍柴 WD615 系列<br>WEICHAI WD615 Series |              | 10-263     |
| 10-CJ               | 油管<br>OIL PIPE                                    | 潍柴 WD615 系列<br>WEICHAI WD615 Series |              | 10-265     |
| 10-CJ               | 油管<br>OIL PIPE                                    | 潍柴 WD615 系列<br>WEICHAI WD615 Series |              | 10-267     |
| 10-CK               | 联轴器总成<br>COUPLING ASSEMBLY                        | 潍柴 WD615 系列<br>WEICHAI WD615 Series |              | 10-269     |
| 10-CL               | 电机装置<br>MOTOR UNIT                                | 潍柴 WD615 系列<br>WEICHAI WD615 Series |              | 10-271     |
| 10-CM               | 火焰预热起动系统<br>FLAME PREHEATING START SYSTEM         | 潍柴 WD615 系列<br>WEICHAI WD615 Series |              | 10-275     |
| 10-CM               | 火焰预热起动系统<br>FLAME PREHEATING START SYSTEM         | 潍柴 WD615 系列<br>WEICHAI WD615 Series |              | 10-277     |
| 10-CN               | 进排气管 (一)<br>INTAKE AND EXHAUST PIPE I             | 潍柴 WD615 系列<br>WEICHAI WD615 Series |              | 10-281     |

| 图号<br>No. Of Figure | 名称<br>Name  | 适用产品<br>Products Applied            | 备注<br>Remark | 页次<br>Page |
|---------------------|---|-------------------------------------|--------------|------------|
| 10-CN               | 进排气管（一）<br>INTAKE AND EXHAUST PIPE I                            | 潍柴 WD615 系列<br>WEICHAI WD615 Series |              | 10-283     |
| 10-CO               | 进排气管（二）<br>INTAKE AND EXHAUST PIPE II                           | 潍柴 WD615 系列<br>WEICHAI WD615 Series |              | 10-285     |
| 10-CO               | 进排气管（二）<br>INTAKE AND EXHAUST PIPE II                           | 潍柴 WD615 系列<br>WEICHAI WD615 Series |              | 10-287     |
| 10-CP               | 615 13 61A 单缸空气压缩机<br>615 13 61A SINGLE CYLINDER AIR COMPRESSOR | 潍柴 WD615 系列<br>WEICHAI WD615 Series |              | 10-291     |
| 10-CP               | 615 13 61A 单缸空气压缩机<br>615 13 61A SINGLE CYLINDER AIR COMPRESSOR | 潍柴 WD615 系列<br>WEICHAI WD615 Series |              | 10-293     |
| 10-CQ               | 油底壳<br>OIL PAN  | 潍柴 WD615 系列<br>WEICHAI WD615 Series |              | 10-297     |
| 10-CR               | 发动机悬置系统<br>ENGINE MOUNTING SYSTEM                               | 潍柴 WD615 系列<br>WEICHAI WD615 Series |              | 10-299     |
| 10-CR               | 发动机悬置系统<br>ENGINE MOUNTING SYSTEM                               | 潍柴 WD615 系列<br>WEICHAI WD615 Series |              | 10-301     |
| 10-CS               | 发动机悬置系统<br>ENGINE MOUNTING SYSTEM                               | 潍柴 WD615 系列<br>WEICHAI WD615 Series |              | 10-303     |
| 10-CT               | 发动机悬置系统<br>ENGINE MOUNTING SYSTEM                               | C9 发动机系列<br>C9 Engine Series        |              | 10-307     |
| 10-CT               | 发动机悬置系统<br>ENGINE MOUNTING SYSTEM                               | C9 发动机系列<br>C9 Engine Series        |              | 10-309     |
| 10-CU               | 发动机悬置系统<br>ENGINE MOUNTING SYSTEM                               | C13 发动机系列<br>C13 Engine Series      |              | 10-311     |
| 10-CU               | 发动机悬置系统<br>ENGINE MOUNTING SYSTEM                               | C13 发动机系列<br>C13 Engine Series      |              | 10-313     |
| 10-CV               | 发动机悬置系统<br>ENGINE MOUNTING SYSTEM                               | M11 发动机系列<br>M11 Engine Series      |              | 10-315     |
| 10-CV               | 发动机悬置系统<br>ENGINE MOUNTING SYSTEM                               | M11 发动机系列<br>M11 Engine Series      |              | 10-317     |

## 11、供给系统 /SUPPLY SYSTEM

| 图号<br>No. Of Figure | 名称<br>Name                                | 适用产品<br>Products Applied                                   | 备注<br>Remark | 页次<br>Page |
|---------------------|---|--|--------------|------------|
| 11-A                | 油门拉丝总成装置图<br>THROTTLE CABLE ASSEMBLY      | Cummins 系列<br>CUMMINS Series                               |              | 11-1       |
| 11-B                | 油门拉丝总成装置图<br>THROTTLE CABLE ASSEMBLY      | Steyr 系列<br>STEYR Series                                   |              | 11-3       |
| 11-C                | 加速油门踏板总成装置图<br>ACCELERATOR PEDAL ASSEMBLY | Cummins 系列、Steyr 系列<br>CUMMINS Series,STEYR Series         |              | 11-5       |
| 11-D                | 油门拉丝总成装置图<br>THROTTLE CABLE ASSEMBLY      | Cummins 右架欧 II 系列<br>CUMMINS Europe II Series Of RHD       |              | 11-7       |
| 11-E                | 加速油门踏板总成装置图<br>ACCELERATOR PEDAL ASSEMBLY | Cummins 右架欧 II 系列<br>CUMMINS Europe II Series Of RHD       |              | 11-9       |
| 11-F                | 燃油箱 I<br>FUEL TANK I                      |  |              | 11-11      |
| 11-G                | 燃油箱 II<br>FUEL TANK II                    |  |              | 11-15      |
| 11-H                | 供给系管路 I<br>SUPPLY SYSTEM LINE I           |  |              | 11-21      |
| 11-I                | 供给系管路 II<br>SUPPLY SYSTEM LINE II         |  |              | 11-25      |
| 11-J                | 空气滤清器 I<br>AIR FILTER I                   |  |              | 11-29      |
| 11-K                | 空气滤清器 II<br>AIR FILTER II                 | 康明斯 300 马力以下型号发动机车型<br>CUMMINS Engine Under 300 Horsepower |              | 11-31      |
| 11-L                | 空气滤清器 III<br>AIR FILTER III               | 康明斯 300 马力以下型号发动机车型<br>CUMMINS Engine Under 300 Horsepower |              | 11-33      |
| 11-M                | 空气滤清器 IV<br>AIR FILTER IV                 | 康明斯发动机系列车型<br>CUMMINS Engine Series                        |              | 11-37      |

| 图号<br>No. Of Figure | 名称<br>Name                    | 适用产品<br>Products Applied   | 备注<br>Remark | 页次<br>Page |
|---------------------|-------------------------------|--|--------------|------------|
| 11-N                | 空气滤清器 V<br>AIR FILTER V       | 所有斯太尔发动机及其它系列 300 马力以上发动机<br>All STEYR Engine And Other Series Engine Over<br>300 Horsepower |              | 11-39      |
| 11-O                | 空气滤清器 VI<br>AIR FILTER VI     | 所有斯太尔发动机及其它系列 300 马力以上发动机<br>All STEYR Engine And Other Series Engine Over<br>300 Horsepower |              | 11-43      |
| 11-P                | 空气滤清器 VII<br>AIR FILTER VII   | WD615 系列发动机<br>WD615 Series Engine   |              | 11-47      |
| 11-Q                | 空气滤清器 VIII<br>AIR FILTER VIII | WD12 及 WP10 系列发动机<br>WD12 Series Engine、WP10 Series Engine                                   |              | 11-49      |

## 12、排气系统 /EXHAUST SYSTEM

| 图号<br>No. Of Figure | 名称<br>Name  | 适用产品<br>Products Applied  | 备注<br>Remark                           | 页次<br>Page |
|---------------------|---|---|--|------------|
| 12-A                | 发动机排气出口部件装置图<br>ENGINE EXHAUST OUTLET PARTS       | Cummins 四桥车<br>CUMMINS 4-Axle Vehicle   |  | 12-1       |
| 12-B                | 排气系统支架预装图<br>EXHAUST SYSTEM BRACKET               | 轴距 1850+4000+1350 四桥车<br>Wheel Base 1850+4000+1350 4-Axle Vehicle               |  | 12-3       |
| 12-C                | 排气系统支架总装图<br>EXHAUST SYSTEM BRACKET               | 轴距 1850+4000+1350 四桥车<br>Wheel Base 1850+4000+1350 4-Axle Vehicle               |  | 12-5       |
| 12-D                | 排气系统支架预装图<br>EXHAUST SYSTEM BRACKET               | 轴距 1850+3370+1350 四桥车<br>Wheel Base 1850+3370+1350 4-Axle Vehicle               |  | 12-7       |
| 12-E                | 排气系统支架总装图<br>EXHAUST SYSTEM BRACKET               | 轴距 1850+3370+1350 四桥车<br>Wheel Base 1850+3370+1350 4-Axle Vehicle               |  | 12-9       |
| 12-F                | 排气系统支架预装图<br>EXHAUST SYSTEM BRACKET               | 轴距 1850+4605+1350 四桥车<br>Wheel Base 1850+4605+1350 4-Axle Vehicle               |  | 12-11      |
| 12-G                | 排气系统支架总装图<br>EXHAUST SYSTEM BRACKET               | 轴距 1850+4605+1350 四桥车<br>Wheel Base 1850+4605+1350 4-Axle Vehicle               |  | 12-13      |
| 12-H                | 排气管及消声器总成装置图<br>EXHAUST PIPE AND MUFFLER ASSEMBLY | 四桥车<br>4-Axle Vehicle   |  | 12-15      |
| 12-I                | 排气管装置图<br>EXHAUST PIPE                            | Cummins 四桥车<br>CUMMINS 4-Axle Vehicle   |  | 12-17      |
| 12-J                | 排气管装置图<br>EXHAUST PIPE                            | Steyr 四桥车、STEYR 双前桥牵引车<br>STEYR 4-Axle Vehicle, STEYR Double Front Axle Tractor |  | 12-19      |
| 12-K                | 消声器总成装配图<br>MUFFLER ASSEMBLY                      | 牵引车<br>Tractor  | 新型式(方形消声器)<br>New Type(Square Muffler) | 12-21      |
| 12-L                | 消声器总成装配图<br>MUFFLER ASSEMBLY                      | 非牵引车<br>Non-Tractor   | 新型式(方形消声器)<br>New Type(Square Muffler) | 12-23      |
| 12-M                | 排气管及消声器总成装配图<br>EXHAUST PIPE AND MUFFLER ASSEMBLY | 重庆 Cummins 牵引车、C9 系列牵引车<br>CHONGQING CUMMINS Tractor, C9 Series Tractor         | 新型式(方形消声器)<br>New Type(Square Muffler) | 12-25      |
| 12-N                | 排气管及消声器总成装配图<br>EXHAUST PIPE AND MUFFLER ASSEMBLY | 非牵引车<br>Non-Tractor   | 新型式(方形消声器)<br>New Type(Square Muffler) | 12-27      |

| 图号<br>No. Of Figure | 名称<br>Name  | 适用产品<br>Products Applied                                      | 备注<br>Remark                           | 页次<br>Page |
|---------------------|---|---|--|------------|
| 12-O                | 排气管及消声器总成装配图<br>EXHAUST PIPE AND MUFFLER ASSEMBLY | Cummins 牵引车、ISLe 系列牵引车<br>CUMMINS Tractor,ISLe Seires Tractor | 新型式（方形消声器）<br>New Type(Square Muffler) | 12-29      |
| 12-P                | 排气管及消声器总成装配图<br>EXHAUST PIPE AND MUFFLER ASSEMBLY | Steyr 牵引车<br>STEYR Tractor                                    | 新型式（方形消声器）<br>New Type(Square Muffler) | 12-31      |
| 12-Q                | 排气管装置图<br>EXHAUST PIPE                            | Steyr 非牵引车<br>STEYR Non-Tractor                               | 新型式（方形消声器）<br>New Type(Square Muffler) | 12-33      |
| 12-R                | 排气管装置图<br>EXHAUST PIPE                            | 重庆 Cummins 车型<br>CHONGQING CUMMINS Model                      | 新型式（方形消声器）<br>New Type(Square Muffler) | 12-35      |
| 12-S                | 排气管装置图<br>EXHAUST PIPE                            | Cummins 牵引车<br>CUMMINS Tractor                                | 新型式（方形消声器）<br>New Type(Square Muffler) | 12-39      |
| 12-T                | 排气管装置图<br>EXHAUST PIPE                            | Cummins 非牵引车<br>CUMMINS Non-Tractor                           | 新型式（方形消声器）<br>New Type(Square Muffler) | 12-43      |
| 12-U                | 排气管装置图<br>EXHAUST PIPE                            | ISLe 系列牵引车<br>ISLE Serise Tractor                             |  | 12-47      |
| 12-V                | 排气管装置图<br>EXHAUST PIPE                            | ISLe 系列非牵引车<br>ISLE Serise Non-Tractor                        |  | 12-49      |
| 12-W                | 排气管装置图<br>EXHAUST PIPE                            | WP10 系列牵引车<br>WP10 Series Tractor                             |  | 12-51      |
| 12-X                | 排气管装置图<br>EXHAUST PIPE                            | WP10 系列非牵引车<br>WP10 Series Non-Tractor                        |  | 12-55      |
| 12-Y                | 排气系统支架预装图<br>EXHAUST SYSTEM BRACKET               | STEYR 双前桥牵引车<br>STEYR Double Front Axle Tractor               |  | 12-57      |
| 12-Z                | 排气系统支架总装图<br>EXHAUST SYSTEM BRACKET               | STEYR 双前桥牵引车<br>STEYR Double Front Axle Tractor               |  | 12-59      |
| 12-AA               | 排气管及消声器总成装置图<br>EXHAUST PIPE AND MUFFLER ASSEMBLY | STEYR 双前桥牵引车<br>STEYR Double Front Axle Tractor               |  | 12-61      |
| 12-AB               | 排气管装置图<br>EXHAUST PIPE                            | WD12 系列车型<br>WD12 Series Model                                |  | 12-63      |
| 12-AC               | 排气管装置图<br>EXHAUST PIPE                            | C9 系列牵引车及 6×4 车型<br>C9 Series Tractor And 6×4 Model           |  | 12-67      |
| 12-AD               | 消声器排气管装置图<br>MUFFLER EXHAUST PIPE                 | Cummins 尾气预热自卸车<br>CUMMINS Offgas Preheating Dump Truck       |  | 12-69      |

### 13、冷却系统 /COOLING SYSTEM

| 图号<br>No. Of Figure | 名称<br>Name                                | 适用产品<br>Products Applied  | 备注<br>Remark | 页次<br>Page |
|---------------------|---|---|--------------|------------|
| 13-A                | 散热器和挡板组图<br>RADIATOR AND BAFFLE SET       | C300、C260、C230  |              | 13-1       |
| 13-B                | 散热器悬置组图<br>RADIATOR MOUNTING SET          | C300、C260、C230、6D24   |              | 13-3       |
| 13-C                | 散热器支撑组图<br>RADIATOR SUPPORT SET           | C 系列<br>C Series  |              | 13-5       |
| 13-D                | 冷却水管组图<br>COOLING WATER PIPE SET          | C 系列<br>C Series  |              | 13-7       |
| 13-E                | 冷却风扇组图<br>COOLING FAN SET                 | C 系列<br>C Series  |              | 13-9       |
| 13-F                | 风扇护风罩组图<br>FAN SHROUD SET                 | C 系列、6D24<br>C Series、6D24  |              | 13-11      |
| 13-G                | 冷却液膨胀箱组图<br>COOLANT EXPANSION TANK SET    | C 系列<br>C Series  |              | 13-15      |
| 13-H                | 过渡水管组图<br>TRANSITION WATER PIPE SET       | C 系列<br>C Series  |              | 13-17      |
| 13-I                | 副膨胀箱组图<br>SUB EXPANSION TANK SET          | 非欧款车型<br>Non Europe Model   |              | 13-21      |
| 13-J                | 增压中冷器组图<br>SUPERCHARGING INTERCOOLER SET  | C 系列<br>C Series  |              | 13-25      |
| 13-K                | 散热器和中冷器组图<br>RADIATOR AND INTERCOOLER SET | L345、L375、C9-350HP、WP10 290、WP10 336、<br>WD12 336、WD12 375、WD615.38、P11C-UL、<br>P11C-UJ、M11-C350E 20、ISLe350 30 |              | 13-29      |
| 13-L                | 散热器支撑组图<br>RADIATOR SUPPORT SET           |   |              | 13-33      |
| 13-M                | 散热器固定组图<br>RADIATOR FIXING SET            | L 系列、WD615.38、WD615.47<br>L Series, WD615.38, WD615.47  |              | 13-35      |

| 图号<br>No. Of Figure | 名称<br>Name                                     | 适用产品<br>Products Applied  | 备注<br>Remark | 页次<br>Page |
|---------------------|--|---|--------------|------------|
| 13-N                | 冷却水管路组图<br>COOLING WATER AND AIR PIPELINE SET  | M11-C350E 20、M11-C380E 20、L345、L375、<br>ISLe340 30、ISLe350 30、C9-350HP      |              | 13-37      |
| 13-O                | 发动机水气管路组图<br>ENGINE WATER AND AIR PIPELINE SET |   |              | 13-43      |
| 13-P                | 冷却风扇组图<br>COOLING FAN SET                      | L345、L375、ISLe340 30、ISLe350 30   |              | 13-47      |
| 13-Q                | 冷却液膨胀箱组图<br>COOLANT EXPANSION TANK SET         | L 系列、WD615 系列<br>L Series, WD615 Series                                     |              | 13-49      |
| 13-R                | 膨胀箱连接管组图<br>EXPANSION TANK CONNECTING PIPE SET | 非 6M70 车型<br>Non 6M70 Model   |              | 13-51      |
| 13-S                | 过渡水管组图<br>TRANSITION WATER PIPE SET            | L345、L375、ISLe340 30、ISLe350 30   |              | 13-53      |
| 13-T                | 冷却水气管路组图<br>COOLING WATER AND AIR PIPELINE SET | WP10 290、WP10 336、WD12.336、WD12.375、<br>WD615.38                            |              | 13-55      |
| 13-U                | 过渡水管组图<br>TRANSITION WATER PIPE SET            | WD615.38、WD615.34、WD615.46、WP10 290、<br>WP10 336、WD12.336、WD12.375、C9-350HP |              | 13-59      |
| 13-V                | 散热器悬置组图<br>RADIATOR MOUNTING SET               | WD615.44、WD615.50、WD615.56  |              | 13-63      |
| 13-W                | 散热器支撑组图<br>RADIATOR SUPPORT SET                | WD615.44、WD615.50、WD615.56  |              | 13-65      |
| 13-X                | 冷却水管组图<br>COOLING WATER PIPE SET               | WD615.44、WD615.50、WD615.56  |              | 13-67      |
| 13-Y                | 风扇导流罩组图<br>FAN DOME SET                        | WD615.44、WD615.50、WD615.56  |              | 13-69      |
| 13-Z                | 风扇护风罩组图<br>FAN SHROUD SET                      | WD615.44、WD615.50、WD615.56  |              | 13-73      |
| 13-AA               | 过渡水管组图<br>TRANSITION WATER PIPE SET            | WD615.44、WD615.50、WD615.56  |              | 13-75      |



| 图号<br>No. Of Figure | 名称<br>Name                                     | 适用产品<br>Products Applied             | 备注<br>Remark | 页次<br>Page |
|---------------------|--|--------------------------------------|--------------|------------|
| 13-AB               | 增压中冷器组图<br>SUPERCHARGING INTERCOOLER SET       | WD615.44、WD615.50、WD615.56           |              | 13-79      |
| 13-AC               | 散热器和中冷器组图<br>RADIATOR AND INTERCOOLER SET      | WD615.46、WD615.34                    |              | 13-81      |
| 13-AD               | 散热器支撑组图<br>RADIATOR SUPPORT SET                | WD615.46、WD615.34                    |              | 13-83      |
| 13-AE               | 散热器固定组图<br>RADIATOR FIXING SET                 | WD615.46、WD615.34                    |              | 13-85      |
| 13-AF               | 冷却水气管路组图<br>COOLING WATER AND AIR PIPELINE SET | WD615.46、WD615.34                    |              | 13-87      |
| 13-AG               | 散热器和挡板组图<br>RADIATOR AND BAFFLE SET            | C230、C325、WD615.56、WD615.50、WD615.44 |              | 13-89      |
| 13-AH               | 散热器悬置组图<br>RADIATOR MOUNTING SET               | C325                                 |              | 13-91      |
| 13-AI               | 冷却风扇组<br>COOLING FAN SET                       | C9-350HP、M11-350E20                  |              | 13-93      |
| 13-AJ               | 过渡水管组<br>TRANSITION WATER PIPE SET             | M11-350E20                           |              | 13-95      |
| 13-AK               | 散热器固定组<br>RADIATOR FIXING SET                  | YC6A240-20、YC6A260-20                |              | 13-97      |
| 13-AL               | 冷却水气管组<br>COOLING WATER AND AIR PIPELINE SET   | YC6A240-20、YC6A260-20                |              | 13-99      |
| 13-AM               | 发动机水气管组<br>ENGINE WATER AND AIR PIPELINE SET   | YC6A240-20、YC6A260-20                |              | 13-101     |
| 13-AN               | 过渡水管组<br>TRANSITION WATER PIPE SET             | YC6A240-20、YC6A260-20                |              | 13-103     |
| 13-AO               | 散热器和中冷器组<br>RADIATOR AND INTERCOOLER SET       | YC6A240-20、YC6A260-20                |              | 13-105     |

## 16、离合器及其操纵系统 /CLUTCH AND OPERATING SYSTEM

| 图号<br>No. Of Figure | 名称<br>Name   | 适用产品<br>Products Applied   | 备注<br>Remark | 页次<br>Page |
|---------------------|--|--|--------------|------------|
| 16-A                | 离合器操纵装置图<br>CLUTCH OPERATING                             |  |              | 16-1       |
| 16-B                | 离合器油路操纵装置图一<br>CLUTCH OIL CIRCUIT OPERATING I            |  |              | 16-5       |
| 16-C                | 离合器油路操纵装置图二<br>CLUTCH OIL CIRCUIT OPERATING II           |  |              | 16-7       |
| 16-D                | 离合器油路操纵装置图三<br>CLUTCH OIL CIRCUIT OPERATING III          | 国产动力系列 + 非 DC7J120TD 变速器<br>Domestic Engine Series+Non-DC7J120TD<br>Transmission           |              | 16-11      |
| 16-E                | 离合器油路操纵装置图三<br>CLUTCH OIL CIRCUIT OPERATING III          | 国产动力系列 +DC7J120TD 变速器<br>Domestic Engine Series+DC7J120TD Transmission                     |              | 16-13      |
| 16-F                | FD430A 离合器装置图<br>FD430A CLUTCH                           | 配康明斯 C 系列 350 马力以下发动机（非搅拌机）<br>CUMMINS C Series Engine Under 350 Horsepower<br>(Non-Mixer) |              | 16-15      |
| 16-G                | SACHS 离合器装置图<br>SACHS CLUTCH                             | ZF 变速器<br>ZF Transmission  |              | 16-17      |
| 16-H                | FD430L30 离合器装置图<br>FD430L30 CLUTCH                       | 国产 350 马力以上动力系列<br>Domestic Engine Series Over 350 Horsepower                              |              | 16-19      |
| 16-I                | 右驾车型离合器油路操纵装置图一<br>CLUTCH OIL CIRCUIT OPERATING I OF RHD | 右驾车型<br>RHD  |              | 16-21      |

## 17、变速器及其操纵系统 / TRANSMISSION AND THE CONTROL SYSTEM

| 图号<br>No. Of Figure | 名称<br>Name  | 适用产品<br>Products Applied | 备注<br>Remark | 页次<br>Page |
|---------------------|---|--------------------------|--------------|------------|
| 17-A                | 变速器和离合器壳体装置图<br>TRANSMISSION AND CLUTCH CASE  |                          |              | 17-1       |
| 17-B                | 变速器和离合器壳体装置图<br>TRANSMISSION AND CLUTCH CASE  |                          |              | 17-7       |
| 17-C                | 变速器和离合器壳体装置图<br>TRANSMISSION AND CLUTCH CASE  |                          |              | 17-13      |
| 17-D                | RT-11509C 变速器二轴总成<br>RT-11509C TRANSMISSION NO.2 SHAFT ASSEMBLY                           |                          |              | 17-19      |
| 17-E                | RT-11509C 变速器左右中间轴总成<br>RT-11509C TRANSMISSION LEFT AND RIGHT<br>COUNTERSHAFT ASSEMBLY    |                          |              | 17-21      |
| 17-F                | RT-11509C 变速器一轴总成<br>RT-11509C TRANSMISSION NO.1 SHAFT ASSEMBLY                           |                          |              | 17-25      |
| 17-G                | RT-11509C 变速器倒档中间轴总成<br>RT-11509C TRANSMISSION REVERSE COUNTERSHAFT<br>ASSEMBLY           |                          |              | 17-27      |
| 17-H                | RT-11509C 变速器上盖总成<br>RT-11509C TRANSMISSION UPPER COVER ASSEMBLY                          |                          |              | 17-29      |
| 17-I                | RT-11509C 变速器操纵装置总成<br>RT-11509C TRANSMISSION CONTROL ASSEMBLY                            |                          |              | 17-35      |
| 17-J                | RT-11509C 变速器空气滤清调节器总成<br>RT-11509C TRANSMISSION AIR FILTER REGULATOR<br>ASSEMBLY         |                          |              | 17-45      |
| 17-K                | RT-11509C 变速器副箱驱动齿轮总成<br>RT-11509C TRANSMISSION ADDITIONAL GEARBOX<br>DRIVE GEAR ASSEMBLY |                          |              | 17-47      |
| 17-L                | RT-11509C 变速器副箱主轴总成<br>RT-11509C TRANSMISSION ADDITIONAL GEARBOX<br>MAIN SPINDLE ASSEMBLY |                          |              | 17-49      |

| 图号<br>No. Of Figure | 名称<br>Name   | 适用产品<br>Products Applied | 备注<br>Remark | 页次<br>Page |
|---------------------|--|--------------------------|--------------|------------|
| 17-M                | RT-11509C 变速器副箱左右中间轴<br>RT-11509C TRANSMISSION ADDITIONAL GEARBOX LEFT<br>AND RIGHT COUNTERSHAFT |                          |              | 17-51      |
| 17-N                | RT-11509C 变速器后盖总成<br>RT-11509C TRANSMISSION REAR COVER ASSEMBLY                                  |                          |              | 17-53      |
| 17-O                | RT-11509C 变速器副箱气缸总成<br>RT-11509C TRANSMISSION ADDITIONAL GEARBOX<br>CYLINDER ASSEMBLY            |                          |              | 17-57      |
| 17-P                | RT-11509C 变速器中间轴制动器总成<br>RT-11509C TRANSMISSION COUNTERSHAFT BRAKE<br>ASSEMBLY                   |                          |              | 17-61      |
| 17-Q                | 9JS119 变速器二轴总成<br>9JS119 TRANSMISSION NO.2 SHAFT ASSEMBLY  |                          |              | 17-63      |
| 17-R                | 9JS119 变速器左右中间轴总成<br>9JS119 TRANSMISSION LEFT AND RIGHT<br>COUNTERSHAFT ASSEMBLY                 |                          |              | 17-65      |
| 17-S                | 9JS119 变速器一轴总成<br>9JS119 TRANSMISSION NO.1 SHAFT ASSEMBLY  |                          |              | 17-69      |
| 17-T                | 9JS119 变速器倒档中间轴总成<br>9JS119 TRANSMISSION REVERSE COUNTERSHAFT<br>ASSEMBLY                        |                          |              | 17-71      |
| 17-U                | 9JS119 变速器上盖总成<br>9JS119 TRANSMISSION UPPER COVER ASSEMBLY                                       |                          |              | 17-73      |
| 17-V                | 9JS119 变速器操纵装置总成<br>9JS119 TRANSMISSION CONTROL ASSEMBLY   |                          |              | 17-79      |
| 17-W                | 9JS119 变速器空气滤清调节器总成<br>9JS119 TRANSMISSION AIR FILTER REGULATOR<br>ASSEMBLY                      |                          |              | 17-89      |
| 17-X                | 9JS119 变速器副箱驱动齿轮总成<br>9JS119 TRANSMISSION ADDITIONAL GEARBOX DRIVE<br>GEAR ASSEMBLY              |                          |              | 17-91      |
| 17-Y                | 9JS119 变速器副箱主轴总成<br>9JS119 TRANSMISSION ADDITIONAL GEARBOX MAIN<br>SPINDLE ASSEMBLY              |                          |              | 17-93      |

| 图号<br>No. Of Figure | 名称<br>Name   | 适用产品<br>Products Applied | 备注<br>Remark | 页次<br>Page |
|---------------------|--|--------------------------|--------------|------------|
| 17-Z                | 9JS119 变速器副箱左右中间轴<br>9JS119 TRANSMISSION ADDITIONAL GEARBOX LEFT<br>AND RIGHT COUNTERSHAFT |                          |              | 17-95      |
| 17-AA               | 9JS119 变速器后盖总成<br>9JS119 TRANSMISSION REAR COVER ASSEMBLY                                  |                          |              | 17-97      |
| 17-AB               | 9JS119 变速器副箱气缸总成<br>9JS119 TRANSMISSION ADDITIONAL GEARBOX<br>CYLINDER ASSEMBLY            |                          |              | 17-101     |
| 17-AC               | 9JS119 变速器中间轴制动器总成<br>9JS119 TRANSMISSION COUNTERSHAFT BRAKE<br>ASSEMBLY                   |                          |              | 17-105     |
| 17-AD               | 9JS150T-B 变速器二轴总成<br>9JS150T-B TRANSMISSION NO.2 SHAFT ASSEMBLY                            |                          |              | 17-107     |
| 17-AE               | 9JS150T-B 变速器左右中间轴总成<br>9JS150T-B TRANSMISSION LEFT AND RIGHT<br>COUNTERSHAFT ASSEMBLY     |                          |              | 17-109     |
| 17-AF               | 9JS150T-B 变速器一轴总成<br>9JS150T-B TRANSMISSION NO.1 SHAFT ASSEMBLY                            |                          |              | 17-113     |
| 17-AG               | 9JS150T-B 变速器倒档中间轴总成<br>9JS150T-B TRANSMISSION REVERSE COUNTERSHAFT<br>ASSEMBLY            |                          |              | 17-115     |
| 17-AH               | 9JS150T-B 变速器上盖总成<br>9JS150T-B TRANSMISSION UPPER COVER ASSEMBLY                           |                          |              | 17-117     |
| 17-AI               | 9JS150T-B 变速器操纵装置总成<br>9JS150T-B TRANSMISSION CONTROL ASSEMBLY                             |                          |              | 17-123     |
| 17-AJ               | 9JS150T-B 变速器空气滤清调节器总成<br>9JS150T-B TRANSMISSION AIR FILTER REGULATOR<br>ASSEMBLY          |                          |              | 17-133     |
| 17-AK               | 9JS150T-B 变速器副箱驱动齿轮总成<br>9JS150T-B TRANSMISSION ADDITIONAL GEARBOX<br>DRIVE GEAR ASSEMBLY  |                          |              | 17-135     |
| 17-AL               | 9JS150T-B 变速器副箱主轴总成<br>9JS150T-B TRANSMISSION ADDITIONAL GEARBOX MAIN<br>SPINDLE ASSEMBLY  |                          |              | 17-137     |

| 图号<br>No. Of Figure | 名称<br>Name   | 适用产品<br>Products Applied  | 备注<br>Remark | 页次<br>Page |
|---------------------|--|---|--------------|------------|
| 17-AM               | 9JS150T-B 变速器副箱左右中间轴<br>9JS150T-B TRANSMISSION ADDITIONAL GEARBOX LEFT<br>AND RIGHT COUNTERSHAFT |   |              | 17-139     |
| 17-AN               | 9JS150T-B 变速器后盖总成<br>9JS150T-B TRANSMISSION REAR COVER ASSEMBLY                                  |   |              | 17-141     |
| 17-AO               | 9JS150T-B 变速器副箱气缸总成<br>9JS150T-B TRANSMISSION ADDITIONAL GEARBOX<br>CYLINDER ASSEMBLY            |   |              | 17-145     |
| 17-AP               | 12JS160T 一轴总成<br>12JS160T NO.1 SHAFT ASSEMBLY  |   |              | 17-149     |
| 17-AQ               | 12JS160T 离合器和变速箱壳体总成<br>12JS160T CLUTCH AND TRANSMISSION CASE<br>ASSEMBLY                        |   |              | 17-151     |
| 17-AR               | 12JS160T 操纵装置总成<br>12JS160T CONTROL ASSEMBLY   |   |              | 17-157     |
| 17-AS               | 变速操纵装置图一<br>TRANSMISSION CONTROL I   |   |              | 17-167     |
| 17-AT               | 变速操纵装置图二<br>TRANSMISSION CONTROL II  | 国产动力系列 + 非大同变速器<br>Domestic Engine Series+Non-Datong Transmission |              | 17-171     |
| 17-AU               | 变速操纵装置图二<br>TRANSMISSION CONTROL II  | 国产动力系列 + 大同变速器<br>Domestic Engine Series+Datong Transmission      |              | 17-177     |
| 17-AV               | 右驾车型变速器操纵装置图一<br>TRANSMISSION CONTROL I OF RHD   | 右驾车型<br>RHD   |              | 17-181     |
| 17-AW               | 选、换挡继动摇臂及支架总成 I<br>SELECTION AND SHIFT RELAY ROCKER ARM AND<br>BRACKET ASSEMBLY I                | 国产动力系列 + 非大同变速器<br>Domestic Engine Series+Non-Datong Transmission |              | 17-185     |
| 17-AX               | 选、换挡继动摇臂及支架总成 I<br>SELECTION AND SHIFT RELAY ROCKER ARM AND<br>BRACKET ASSEMBLY I                | 国产动力系列 + 非大同变速器<br>Domestic Engine Series+Non-Datong Transmission |              | 17-189     |
| 17-AY               | 选档摇臂总成 II、换挡摇臂总成 II<br>SELECTION ROCKER ARM ASSEMBLY II , SHIFT<br>ROCKER ARM ASSEMBLY II        | 国产动力系列 + 大同变速器<br>Domestic Engine Series+Datong Transmission      |              | 17-193     |

| 图号<br>No. Of Figure | 名称<br>Name  | 适用产品<br>Products Applied  | 备注<br>Remark | 页次<br>Page |
|---------------------|---|---|--------------|------------|
| 17-AZ               | 选档摇臂总成 II、换挡摇臂总成 II<br>SELECTION ROCKER ARM ASSEMBLY II , SHIFT<br>ROCKER ARM ASSEMBLY II | 国产动力系列 + 非大同变速器<br>Domestic Engine Series+Non-Datong Transmission |              | 17-195     |
| 17-BA               | 变速器操纵装置图三<br>TRANSMISSION CONTROL III   | 国产动力系列 + 大同变速器<br>Domestic Engine Series+Datong Transmission      |              | 17-199     |
| 17-BB               | 变速器操纵装置图三<br>TRANSMISSION CONTROL III   | 国产动力系列 + 大同变速器<br>Domestic Engine Series+Datong Transmission      |              | 17-205     |
| 17-BC               | 变速器悬置图一<br>TRANSMISSION SUSPENSION I  | 康明斯、斯太尔、日野车型<br>CUMMINS、STYER、HINO Models                         |              | 17-207     |

## 22、传动轴系统 /PROPELLER SHAFT SYSTEM

| 图号<br>No. Of Figure | 名称<br>Name  | 适用产品<br>Products Applied                                 | 备注<br>Remark  | 页次<br>Page |
|---------------------|---|--|---|------------|
| 22-A                | 中、后桥间传动轴装置图 I<br>PROPELLER SHAFT BETWEEN INTERMEDIATE AXLE<br>AND REAR AXLE I     | 435 或 457 桥的所有车型<br>All Models With 435-Axle Or 457-Axle | 中后桥轴距 1310mm<br>Model W/Wheel Base Between<br>Intermediate Axle And Rear Axle<br>1310mm               | 22-1       |
| 22-B                | 中、后桥间传动轴装置图 II<br>PROPELLER SHAFT BETWEEN INTERMEDIATE AXLE<br>AND REAR AXLE II   | 斯泰尔桥的所有车型<br>All Models Of STEYR Axle                    | 中后桥轴距 1310mm<br>Model W/Wheel Base Between<br>Intermediate Axle And Rear Axle<br>1310mm               | 22-3       |
| 22-C                | 中、后桥间传动轴装置图 III<br>PROPELLER SHAFT BETWEEN INTERMEDIATE AXLE<br>AND REAR AXLE III | 加宽双后桥<br>Widened Dual Rear Axle                          | 中后桥轴距 1350mm/1450mm<br>Model W/Wheel Base Between<br>Intermediate Axle And Rear Axle<br>1350mm/1450mm | 22-5       |
| 22-D                | 单后桥传动轴装置图<br>SINGLE REAR AXLE PROPELLER SHAFT                                     | 单后桥车型<br>Single Rear Axle Model                          | 轴距 3400mm<br>Wheel Base 3400mm  | 22-7       |
| 22-E                | 中桥传动轴装置图 I<br>INTERMEDIATE AXLE PROPELLER SHAFT I                                 | 所有车型<br>All Models                                       | 中桥传动轴有一根<br>One Intermediate Axle Propeller Shaft   | 22-9       |
| 22-F                | 中桥传动轴装置图 II<br>INTERMEDIATE AXLE PROPELLER SHAFT II                               | 所有车型<br>All Models                                       | 中桥传动轴有两根<br>Two Intermediate Axle Propeller<br>Shafts   | 22-31      |
| 22-G                | 中桥传动轴装置图 III<br>INTERMEDIATE AXLE PROPELLER SHAFT III                             | 所有车型<br>All Models                                       | 中桥传动轴有三根<br>Three Intermediate Axle Propeller<br>Shafts   | 22-67      |
| 22-H                | 后桥传动轴内部结构装置图 I<br>REAR AXLE PROPELLER SHAFT INNER STRUCTURE I                     | 2201AD-410   | 止口定位<br>Ring Ridge Locating   | 22-113     |
| 22-I                | 后桥传动轴内部结构装置图 II<br>REAR AXLE PROPELLER SHAFT INNER STRUCTURE II                   | 2201AD-010   | 止口定位<br>Ring Ridge Locating   | 22-115     |
| 22-J                | 中桥传动轴内部结构装置图 I<br>INTERMEDIATE AXLE PROPELLER SHAFT INNER<br>STRUCTURE I          | 13000N.m   | 端面齿定位<br>contrate Gear Locating   | 22-117     |
| 22-K                | 中桥传动轴内部结构装置图 II<br>INTERMEDIATE AXLE PROPELLER SHAFT INNER<br>STRUCTURE II        | 13000N.m   | 端面齿定位<br>contrate Gear Locating   | 22-119     |
| 22-L                | 中间传动轴内部结构装置图 I<br>MIDDLE PROPELLER SHAFT INNER STRUCTURE I                        | 15000N.m   | 端面齿定位<br>contrate Gear Locating   | 22-121     |
| 22-M                | 中间传动轴内部结构装置图 II<br>MIDDLE PROPELLER SHAFT INNER STRUCTURE II                      | 15000N.m   | 端面齿定位<br>contrate Gear Locating   | 22-123     |



## 24、后桥系统 /REAR AXLE SYSTEM

| 图号<br>No. Of Figure | 名称<br>Name  | 适用产品<br>Products Applied           | 备注<br>Remark | 页次<br>Page |
|---------------------|---|------------------------------------|--------------|------------|
| 24-A                | 斯太尔驱动后桥桥壳装置图<br>STEYR DRIVE REAR AXLE CASE                                | 斯太尔驱动桥车型<br>STEYR Drive Axle Model |              | 24-1       |
| 24-B                | 斯太尔驱动后桥驱动装置装置图<br>STEYR DRIVE REAR AXLE DRIVE UNIT                        | 斯太尔驱动桥车型<br>STEYR Drive Axle Model |              | 24-7       |
| 24-C                | 斯太尔后桥轮边行星减速器 I 装置图<br>STEYR REAR AXLE HUB PLANETARY REDUCER I             | 斯太尔驱动桥车型<br>STEYR Drive Axle Model |              | 24-19      |
| 24-D                | 斯太尔后桥轮边行星减速器 II 装置图<br>STEYR REAR AXLE HUB PLANETARY REDUCER II           | 斯太尔驱动桥车型<br>STEYR Drive Axle Model |              | 24-23      |
| 24-E                | 斯太尔驱动后桥制动器 I 装置图<br>STEYR DRIVE REAR AXLE BRAKE I                         | 斯太尔驱动桥车型<br>STEYR Drive Axle Model |              | 24-29      |
| 24-F                | 斯太尔驱动后桥制动器 II 装置图<br>STEYR DRIVE REAR AXLE BRAKE II                       | 斯太尔驱动桥车型<br>STEYR Drive Axle Model |              | 24-33      |
| 24-G                | 457 单桥后轮毂及制动鼓总成装置图<br>457 SINGLE AXLE REAR HUB AND BRAKE DRUM<br>ASSEMBLY | 457 单后桥<br>457-Single Rear Axle    |              | 24-37      |
| 24-H                | 457 单桥制动器总成装置图<br>457 SINGLE AXLE BRAKE ASSEMBLY                          | 457 单后桥<br>457-Single Rear Axle    |              | 24-41      |
| 24-I                | 457 单桥主减速器总成装置图<br>457 SINGLE AXLE MAIN REDUCER ASSEMBLY                  | 457 单后桥<br>457-Single Rear Axle    |              | 24-47      |
| 24-J                | 457 单后桥总成装置图<br>457 SINGLE REAR AXLE ASSEMBLY                             | 457 单后桥<br>457-Single Rear Axle    |              | 24-53      |
| 24-K                | 457-6X4 后桥总成<br>457-6X4 REAR AXLE ASSEMBLY                                | 457 双后桥<br>457-Dual Rear Axle      |              | 24-59      |
| 24-L                | 457-6X4 后桥减速器总成<br>457-6X4 REAR AXLE REDUCER ASSEMBLY                     | 457 双后桥<br>457-Dual Rear Axle      |              | 24-65      |

| 图号<br>No. Of Figure | 名称<br>Name   | 适用产品<br>Products Applied      | 备注<br>Remark | 页次<br>Page |
|---------------------|--|-------------------------------|--------------|------------|
| 24-M                | 457-6X4 后桥制动器总成<br>457-6X4 REAR AXLE BRAKE ASSEMBLY      | 457 双后桥<br>457-Dual Rear Axle |              | 24-75      |
| 24-N                | 457-6X4 后桥制动鼓总成<br>457-6X4 REAR AXLE BRAKE DRUM ASSEMBLY | 457 双后桥<br>457-Dual Rear Axle |              | 24-81      |

## 25、中桥系统 /INTERMEDIATE AXLE

| 图号<br>No. Of Figure | 名称<br>Name  | 适用产品<br>Products Applied         | 备注<br>Remark | 页次<br>Page |
|---------------------|---|----------------------------------|--------------|------------|
| 25-A                | 斯太尔驱动中桥桥壳装置图<br>STEYR DRIVE INTERMEDIATE AXLE CASE                    | 斯太尔双后桥车型<br>STEYR Dual Rear Axle |              | 25-1       |
| 25-B                | 斯太尔驱动中桥驱动装置 I 装置图<br>STEYR DRIVE INTERMEDIATE AXLE DRIVE DEVICE I     | 斯太尔双后桥车型<br>STEYR Dual Rear Axle |              | 25-11      |
| 25-C                | 斯太尔驱动中桥驱动装置 II 装置图<br>STEYR DRIVE INTERMEDIATE AXLE DRIVE DEVICE II   | 斯太尔双后桥车型<br>STEYR Dual Rear Axle |              | 25-19      |
| 25-D                | 斯太尔驱动中桥驱动装置 III 装置图<br>STEYR DRIVE INTERMEDIATE AXLE DRIVE DEVICE III | 斯太尔双后桥车型<br>STEYR Dual Rear Axle |              | 25-25      |
| 25-E                | 斯太尔驱动中桥制动器 I 装置图<br>STEYR DRIVE INTERMEDIATE AXLE BRAKE I             | 斯太尔双后桥车型<br>STEYR Dual Rear Axle |              | 25-31      |
| 25-F                | 斯太尔驱动中桥制动器 II 装置图<br>STEYR DRIVE INTERMEDIATE AXLE BRAKE II           | 斯太尔双后桥车型<br>STEYR Dual Rear Axle |              | 25-35      |
| 25-G                | 457 中桥减速与桥壳总成<br>457 INTERMEDIATE AXLE REDUCER AND CASE<br>ASSEMBLY   | 457 双后桥车型<br>457-Dual Rear Axle  |              | 25-39      |
| 25-H                | 457-6X4 中桥制动器<br>457-6X4 INTERMEDIATE AXLE BRAKE                      | 457 双后桥车型<br>457-Dual Rear Axle  |              | 25-57      |
| 25-I                | 457-6X4 制动鼓总成<br>457-6X4 BRAKE DRUM ASSEMBLY                          | 457 双后桥车型<br>457-Dual Rear Axle  |              | 25-63      |

## 28、车架系统 /FRAME SYSTEM

| 图号<br>No. Of Figure | 名称<br>Name                                | 适用产品<br>Products Applied  | 备注<br>Remark       | 页次<br>Page |
|---------------------|---|---------------------------|--------------------|------------|
| 28-A                | 保险杠装配图<br>BUMPER                          |                           |                    | 28-1       |
| 28-B                | 窄体保险杠装配图<br>NARROW CAB BUMPER             | 窄体系列<br>Narrow Cab Series |                    | 28-5       |
| 28-C                | 欧款系列保险杠装配图<br>EUROPE BUMPER               | 欧款系列<br>Europe Series     |                    | 28-7       |
| 28-D                | 28A4D 车架爆炸图<br>28A4D FRAME                |                           | 3600 + 1350        | 28-11      |
| 28-E                | 28A4DZ2 车架爆炸图<br>28A4DZ2 FRAME            |                           | 4100 + 1350        | 28-17      |
| 28-F                | 28A4DZ12 车架爆炸图<br>28A4DZ12 FRAME          |                           | 4400 + 1350        | 28-23      |
| 28-G                | 28A4Q15 车架总成爆炸图<br>28A4Q15 FRAME ASSEMBLY |                           | 3200 + 1350        | 28-29      |
| 28-H                | 28A4DQ1 车架总成爆炸图<br>28A4DQ1 FRAME ASSEMBLY |                           | 3400               | 28-35      |
| 28-I                | 28A4DP 车架爆炸图<br>28A4DP FRAME              |                           | 4710 + 1350        | 28-41      |
| 28-J                | 28A4DP1 车架爆炸图<br>28A4DP1 FRAME            |                           | 5220 + 1350        | 28-47      |
| 28-K                | 28A4DP3 车架爆炸图<br>28A4DP3 FRAME            |                           | 1850 + 4605 + 1350 | 28-53      |
| 28-L                | 28A4DP4 车架爆炸图<br>28A4DP4 FRAME            |                           | 1850 + 3370 + 1350 | 28-59      |

| 图号<br>No. Of Figure | 名称<br>Name   | 适用产品<br>Products Applied | 备注<br>Remark         | 页次<br>Page |
|---------------------|--|--------------------------|----------------------|------------|
| 28-M                | 28A4DP5 车架爆炸图<br>28A4DP5 FRAME                                       |                          | 1850 + 4000 + 1350   | 28-65      |
| 28-N                | 28A4DP9 车架爆炸图<br>28A4DP9 FRAME                                       |                          | 5850 + 1350          | 28-71      |
| 28-O                | 28A4DP10 车架爆炸图<br>28A4DP10 FRAME                                     |                          | 1850 + 5310          | 28-77      |
| 28-P                | 28A4DZ4 车架爆炸图<br>28A4DZ4 FRAME                                       |                          | 1850 + 3370 + 1350   | 28-83      |
| 28-Q                | 第一横梁总成装配图<br>FIRST CROSS MEMBER ASSEMBLY                             |                          |                      | 28-89      |
| 28-R                | 28AD 第二横梁总成装配图<br>28AD SECOND CROSS MEMBER ASSEMBLY                  |                          |                      | 28-91      |
| 28-S                | 28A2D 第二横梁总成装配图<br>28A2D SECOND CROSS MEMBER ASSEMBLY                |                          |                      | 28-93      |
| 28-T                | 28A3D 第二横梁总成装配图<br>28A3D SECONG CROSS MEMBER ASSEMBLY                |                          |                      | 28-95      |
| 28-U                | 28A4D 第二横梁装配图<br>28A4D SECOND CROSS MEMBER                           |                          |                      | 28-97      |
| 28-V                | 左右支架总成—第三横梁装配图<br>LEFT AND RIGHT BRACKET ASSEMBLY-THIRD CROSS MEMBER |                          |                      | 28-99      |
| 28-W                | 第三横梁左右总成装配图<br>THIRD CROSS MEMBER ASSEMBLY                           |                          | 斯太尔动力 STEYR Engine   | 28-101     |
| 28-X                | 第三横梁左右总成装配图<br>THIRD CROSS MEMBER LEFT AND RIGHT ASSEMBLY            |                          | 康明斯动力 CUMMINS Engine | 28-103     |
| 28-Y                | 第四横梁总成装配图<br>FOURTH CROSS MEMBER ASSEMBLYL                           |                          |                      | 28-105     |
| 28-Z                | 28A4DP5 第四横梁总成装配图<br>28A4DP5 FOURTH CROSS MEMBER ASSEMBLY            |                          |                      | 28-107     |

| 图号<br>No. Of Figure | 名称<br>Name  | 适用产品<br>Products Applied | 备注<br>Remark | 页次<br>Page |
|---------------------|---|--------------------------|--------------|------------|
| 28-AA               | 第五横梁总成装配图<br>FIFTH CROSS MEMBER ASSEMBLY  |                          |              | 28-109     |
| 28-AB               | 28AP 第五横梁总成装配图<br>28AP FIFTH CROSS MEMBER ASSEMBLY  |                          |              | 28-111     |
| 28-AC               | 28ADP7 第五横梁总成装配图<br>28ADP7 FIFTH CROSS MEMBER ASSEMBLY                                    |                          |              | 28-113     |
| 28-AD               | 28A4DP8 传动轴中间支撑横梁总成装配图<br>28A4DP8 PROPELLER SHAFT CENTER SUPPORT<br>CROSS MEMBER ASSEMBLY |                          |              | 28-115     |
| 28-AE               | 28AP 第六横梁总成装配图<br>28AP SIXTH CROSS MEMBER ASSEMBLY  |                          |              | 28-117     |
| 28-AF               | 28A 第六横梁装配图<br>28A SIXTH CROSS MEMBER   |                          |              | 28-119     |
| 28-AG               | 28AZ 第六横梁装配图<br>28AZ SIXTH CROSS MEMBER   |                          |              | 28-121     |
| 28-AH               | 28ADQ 第六横梁装配图<br>28ADQ SIXTH CROSS MEMBER   |                          |              | 28-123     |
| 28-AI               | 28AD 第七横梁装配图<br>28AD SEVENTH CROSS MEMBER   |                          |              | 28-125     |
| 28-AJ               | 28AP 第八横梁总成装配图<br>28AP EIGHTH CROSS MEMBER ASSEMBLY                                       |                          |              | 28-127     |
| 28-AK               | 28AH4D 左右纵梁装配图<br>28AH4D LEFT AND RIGHT SIDE MEMBER                                       |                          |              | 28-129     |
| 28-AL               | 28A4DZ2 左右纵梁装配图<br>28A4DZ2 LEFT AND RIGHT SIDE MEMBER                                     |                          |              | 28-135     |
| 28-AM               | 28A4DZ12 左右纵梁装配图<br>28A4DZ12 LEFT AND RIGHT SIDE MEMBER                                   |                          |              | 28-141     |
| 28-AN               | 28A4DQ15 左右纵梁装配图<br>28A4DQ15 LEFT AND RIGHT SIDE MEMBER                                   |                          |              | 28-147     |

| 图号<br>No. Of Figure | 名称<br>Name  | 适用产品<br>Products Applied | 备注<br>Remark | 页次<br>Page |
|---------------------|---|--------------------------|--------------|------------|
| 28-AO               | 28AH4DQ1 左右纵梁装配图<br>28AH4DQ1 LEFT AND RIGHT SIDE MEMBER     |                          |              | 28-153     |
| 28-AP               | 28AH4DP 左右纵梁装配图<br>28AH4DP LEFT AND RIGHT SIDE MEMBER       |                          |              | 28-157     |
| 28-AQ               | 28AH4DP1 左右纵梁装配图<br>28AH4DP1 LEFT AND RIGHT SIDE MEMBER     |                          |              | 28-163     |
| 28-AR               | 28AH4DP9 左右纵梁装配图<br>28AH4DP9 LEFT AND RIGHT SIDE MEMBER     |                          |              | 28-169     |
| 28-AS               | 28AH4DP3 左右纵梁装配图<br>28AH4DP3 LEFT AND RIGHT SIDE MEMBER     |                          |              | 28-175     |
| 28-AT               | 28AH4DP4 左右纵梁装配图<br>28AH4DP4 LEFT AND RIGHT SIDE MEMBER     |                          |              | 28-181     |
| 28-AU               | 28AH4DP5 左右纵梁装配图<br>28AH4DP5 LEFT AND RIGHT SIDE MEMBER     |                          |              | 28-187     |
| 28-AV               | 28AH4DP10 左右纵梁装配图<br>28AH4DP10 LEFT AND RIGHT SIDE MEMBER   |                          |              | 28-193     |
| 28-AW               | 28AH4DZ4 左右纵梁装配图<br>28AH4DZ4 LEFT AND RIGHT SIDE MEMBER     |                          |              | 28-197     |
| 28-AX               | 28A 第二横梁装配图<br>28A SECOND CROSS MEMBER                      |                          |              | 28-203     |
| 28-AY               | 左右支架 - 第三横梁装配图<br>LEFT AND RIGHT BRACKET-THIRD CROSS MEMBER |                          |              | 28-205     |
| 28-AZ               | 第四横梁装配图<br>FOURTH CROSS MEMBER                              |                          |              | 28-207     |
| 28-BA               | 28A4DP5 第四横梁装配图<br>28A4DP5 FOURTH CROSS MEMBER              |                          |              | 28-209     |
| 28-BB               | 第五横梁装配图<br>FIFTH CROSS MEMBER                               |                          |              | 28-211     |

| 图号<br>No. Of Figure | 名称<br>Name  | 适用产品<br>Products Applied | 备注<br>Remark | 页次<br>Page |
|---------------------|---|--------------------------|--------------|------------|
| 28-BC               | 28AP 传动轴中间支撑横梁图<br>28AP PROPELLER SHAFT CENTER SUPPORT CROSS MEMBER         |                          |              | 28-213     |
| 28-BD               | 28ADP7 第五横梁装配图<br>28ADP7 FIFTH CROSS MEMBER                                 |                          |              | 28-215     |
| 28-BE               | 28A4DP8 传动轴中间支撑横梁装配图<br>28A4DP8 PROPELLER SHAFT CENTER SUPPORT CROSS MEMBER |                          |              | 28-217     |
| 28-BF               | 28AP 第六横梁装配图<br>28AP SIXTH CROSS MEMBER                                     |                          |              | 28-219     |
| 28-BG               | 拖钩装置图<br>TOWING HOOK  |                          |              | 28-221     |



## 29、悬架系统 /SUSPENSION SYSTEM

| 图号<br>No. Of Figure | 名称<br>Name  | 适用产品<br>Products Applied                       | 备注<br>Remark                          | 页次<br>Page |
|---------------------|---|--|---------------------------------------|------------|
| 29-A                | 前板簧吊耳座装置图 I<br>FRONT LEAF SPRING SHACKLE SEAT I               | 康明斯发动机系列车型<br>CUMMINS Engine Series            | 车架左侧<br>Left Side Of The Frame        | 29-1       |
| 29-B                | 前板簧吊耳座装置图 II<br>FRONT LEAF SPRING SHACKLE SEAT II             | 康明斯发动机系列车型<br>CUMMINS Engine Series            | 车架右侧<br>Right Side Of The Frame       | 29-3       |
| 29-C                | 前板簧吊耳座装置图 III<br>FRONT LEAF SPRING SHACKLE SEAT III           | 斯泰尔发动机系列车型<br>STEYR Engine Series              | 车架左侧<br>Left Side Of The Frame        | 29-5       |
| 29-D                | 前板簧吊耳座装置图 IV<br>FRONT LEAF SPRING SHACKLE SEAT IV             | 斯泰尔发动机系列车型<br>STEYR Engine Series              | 车架右侧<br>Right Side Of The Frame       | 29-7       |
| 29-E                | 前板簧吊耳装置图<br>FRONT LEAF SPRING SHACKLE                         | 康明斯、斯泰尔发动机系列车型<br>CUMMINS, STEYR Engine Series | 左右对称<br>Left And Right Are Symetrical | 29-9       |
| 29-F                | 四桥车前板簧支架装置图 I<br>4-AXLE VEHICLE FRONT LEAF SPRING BRACKET I   | 所有四桥车型<br>All 4-Axle Vehicle                   | 左右对称<br>Left And Right Are Symetrical | 29-11      |
| 29-G                | 四桥车前板簧支架装置图 II<br>4-AXLE VEHICLE FRONT LEAF SPRING BRACKET II | 所有四桥车型<br>All 4-Axle Vehicle                   | 左右对称<br>Left And Right Are Symetrical | 29-13      |
| 29-H                | 四桥车限位块挡块装置图 I<br>4-AXLE VEHICLE LIMITING STOPPER I            | 所有四桥车型<br>All 4-Axle Vehicle                   | 车架右侧<br>Right Side Of The Frame       | 29-15      |
| 29-I                | 四桥车限位块挡块装置图 II<br>4-AXLE VEHICLE LIMITING STOPPER II          | 所有四桥车型<br>All 4-Axle Vehicle                   | 车架左侧<br>Left Side Of The Frame        | 29-17      |
| 29-J                | 减震器装置图<br>SHOCK ABSORBER                                      | 所有非四桥车型<br>All Non 4-Axle Vehicle              | 左右对称<br>Left And Right Are Symetrical | 29-19      |
| 29-K                | 四桥车减震器装置图 I<br>4-AXLE VEHICLE SHOCK ABSORBER I                | 所有四桥车型<br>All 4-Axle Vehicle                   | 左右对称<br>Left And Right Are Symetrical | 29-21      |
| 29-L                | 四桥车减震器装置图 II<br>4-AXLE VEHICLE SHOCK ABSORBER II              | 所有四桥车型<br>All 4-Axle Vehicle                   | 左右对称<br>Left And Right Are Symetrical | 29-23      |

| 图号<br>No. Of Figure | 名称<br>Name  | 适用产品<br>Products Applied   | 备注<br>Remark                          | 页次<br>Page |
|---------------------|---|--|---------------------------------------|------------|
| 29-M                | 平衡轴装置图 I<br>TRUNNION SHAFT I                        | 中、后桥轴距 1310mm 车型<br>Model W/Wheel Base Between Intermediate Axle<br>And Rear Axle 1310mm | 五十铃结构<br>ISUZU Structure              | 29-25      |
| 29-N                | 平衡轴装置图 II<br>TRUNNION SHAFT II                      | 中、后桥轴距 1350mm 车型<br>Model W/Wheel Base Between Intermediate Axle<br>And Rear Axle 1350mm | 三菱结构<br>Mitsubishi Structure          | 29-27      |
| 29-O                | 板簧挡块装置图 I<br>LEAF SPRING STOPPER I                  | 板簧中心距 1002mm 车型<br>Model W/Leaf Spring Centre Distance 1002mm                            | 左右对称<br>Left And Right Are Symetrical | 29-29      |
| 29-P                | 板簧挡块装置图 II<br>LEAF SPRING STOPPER II                | 板簧中心距 1040mm 车型<br>Model W/Leaf Spring Centre Distance 1040mm                            | 左右对称<br>Left And Right Are Symetrical | 29-31      |
| 29-Q                | 后板簧装置图 I<br>REAR LEAF SPRING I                      | 中、后桥轴距 1310mm 车型<br>Model W/Wheel Base Between Intermediate Axle<br>And Rear Axle 1310mm | 左右对称<br>Left And Right Are Symetrical | 29-33      |
| 29-R                | 后板簧装置图 II<br>REAR LEAF SPRING II                    | 中、后桥轴距 1310mm 车型<br>Model W/Wheel Base Between Intermediate Axle<br>And Rear Axle 1310mm | 左右对称<br>Left And Right Are Symetrical | 29-35      |
| 29-S                | 后板簧装置图 III<br>REAR LEAF SPRING III                  | 中、后桥轴距 1310mm 车型<br>Model W/Wheel Base Between Intermediate Axle<br>And Rear Axle 1310mm | 左右对称<br>Left And Right Are Symetrical | 29-37      |
| 29-T                | 后板簧装置图 IV<br>REAR LEAF SPRING IV                    | 中、后桥轴距 1350mm 车型<br>Model W/Wheel Base Between Intermediate Axle<br>And Rear Axle 1350mm | 左右对称<br>Left And Right Are Symetrical | 29-39      |
| 29-U                | 前板簧装置图 I<br>FRONT LEAF SPRING I                     | 所有非四桥车型<br>All Non 4-Axle Vehicle  | 车架左侧<br>Left Side Of The Frame        | 29-41      |
| 29-V                | 前板簧装置图 II<br>FRONT LEAF SPRING II                   | 所有非四桥车型<br>All Non 4-Axle Vehicle  | 车架右侧<br>Right Side Of The Frame       | 29-43      |
| 29-W                | 前板簧装置图 III<br>FRONT LEAF SPRING III                 | 所有非四桥车型<br>All Non 4-Axle Vehicle  | 左右对称<br>Left And Right Are Symetrical | 29-45      |
| 29-X                | 四桥车前板簧装置图 I<br>4-AXLE VEHICLE FRONT LEAF SPRING I   | 所有四桥车型<br>All 4-Axle Vehicle   | 车架左侧<br>Left Side Of The Frame        | 29-47      |
| 29-Y                | 四桥车前板簧装置图 II<br>4-AXLE VEHICLE FRONT LEAF SPRING II | 所有四桥车型<br>All 4-Axle Vehicle   | 车架右侧<br>Right Side Of The Frame       | 29-49      |

| 图号<br>No. Of Figure | 名称<br>Name   | 适用产品<br>Products Applied   | 备注<br>Remark                                   | 页次<br>Page |
|---------------------|--|--|--|------------|
| 29-Z                | 四桥车前板簧装置图III<br>4-AXLE VEHICLE FRONT LEAF SPRING III | 所有四桥车型<br>All 4-Axle Vehicle   | 左右对称<br>Left And Right Are Symetrical          | 29-51      |
| 29-AA               | 单桥后悬架装置图<br>SINGLE AXLE REAR SUSPENSION              | 单后桥车型<br>Single Rear Axle Model  | 左右对称<br>Left And Right Are Symetrical          | 29-53      |
| 29-AB               | 推力杆装置图 I<br>DISTANCE ROD I                           | 中、后桥轴距 1310mm 车型<br>Model W/Wheel Base Between Intermediate Axle<br>And Rear Axle 1310mm | 五十铃结构平衡轴<br>ISUZU Structure Trunnion Shaft     | 29-57      |
| 29-AC               | 推力杆装置图 II<br>DISTANCE ROD II                         | 中、后桥轴距 1350mm 车型<br>Model W/Wheel Base Between Intermediate Axle<br>And Rear Axle 1350mm | 三菱结构平衡轴<br>Mitsubishi Structure Trunnion Shaft | 29-81      |
| 29-AD               | 推力杆装置图III<br>DISTANCE ROD III                        | 中、后桥轴距 1310mm 车型<br>Model W/Wheel Base Between Intermediate Axle<br>And Rear Axle 1310mm | 五十铃结构平衡轴<br>ISUZU Structure Trunnion Shaft     | 29-87      |
| 29-AE               | 推力杆装置图 IV<br>DISTANCE ROD IV                         | 中、后桥轴距 1350mm 车型<br>Model W/Wheel Base Between Intermediate Axle<br>And Rear Axle 1350mm | 三菱结构平衡轴<br>Mitsubishi Structure Trunnion Shaft | 29-91      |
| 29-AF               | 限位块装置图 I<br>LIMITING STOPPER I                       | 中、后桥轴距 1310mm 车型<br>Model W/Wheel Base Between Intermediate Axle<br>And Rear Axle 1310mm | 五十铃结构平衡轴<br>ISUZU Structure Trunnion Shaft     | 29-95      |
| 29-AG               | 限位块装置图 II<br>LIMITING STOPPER II                     | 中、后桥轴距 1350mm 车型<br>Model W/Wheel Base Between Intermediate Axle<br>And Rear Axle 1350mm | 三菱结构平衡轴<br>Mitsubishi Structure Trunnion Shaft | 29-97      |

### 30、前轴系统 /FRONT AXLE SYSTEM

| 图号<br>No. Of Figure | 名称<br>Name                             | 适用产品<br>Products Applied | 备注<br>Remark | 页次<br>Page |
|---------------------|--|--------------------------|--------------|------------|
| 30-A                | 解放前轴前桥管路图<br>JIEFANG FRONT AXLE LINE   |                          |              | 30-1       |
| 30-B                | 解放前轴展开图<br>JIEFANG FRONT AXLE          |                          |              | 30-3       |
| 30-C                | 解放前轴展开图<br>JIEFANG FRONT AXLE          |                          |              | 30-9       |
| 30-D                | 解放前轴展开图<br>JIEFANG FRONT AXLE          |                          |              | 30-15      |
| 30-E                | 泰州前轴展开图<br>TAIZHOU FRONT AXLE          |                          |              | 30-19      |
| 30-F                | 泰州前轴轮毂展开图<br>TAIZHOU FRONT AXLE HUB    |                          |              | 30-25      |
| 30-G                | 泰州前轴制动器展开图<br>TAIZHOU FRONT AXLE BRAKE |                          |              | 30-29      |

### 31、车轮及轮毂系统 /WHEEL AND HUB SYSTEM

| 图号<br>No. Of Figure | 名称<br>Name   | 适用产品<br>Products Applied  | 备注<br>Remark   | 页次<br>Page |
|---------------------|--|---|--|------------|
| 31-A                | 双后桥车型轮胎装置图<br>DUAL REAR AXLE MODEL TIRE                      |   |  | 31-1       |
| 31-B                | 单后桥车型轮胎装置图<br>SINGLE REAR AXLE MODEL TIRE                    |   |  | 31-3       |
| 31-C                | 轮胎装置图 I<br>TIRE I  |   |  | 31-5       |
| 31-D                | 轮胎装置图 II<br>TIRE II  |   |  | 31-7       |
| 31-E                | 备胎架及其升降机构 I<br>SPARE-TIRE CARRIER AND ITS LIFT MECHANISM I   | 1850 + 3370/4000/4605 + 1350 货车<br>1850 + 3370/4000/4605 + 1350 Truck   | 5850 + 1350/5220 + 1350/4710 +<br>1350 轴距货车<br>Truck W/Wheel Base 5850 +<br>1350/5220 + 1350/4710 + 1350 | 31-9       |
| 31-F                | 备胎架及其升降机构 II<br>SPARE-TIRE CARRIER AND ITS LIFT MECHANISM II | 3600/4100/4400 + 1350、1850 + 3370 + 1350 搅<br>拌及自卸车、1850 + 4000 + 1350 自卸车<br>3600/4100/4400 + 1350、1850 + 3370 + 1350<br>Mixer And Dump Truck,1850 + 4000 + 1350 Dump<br>Truck |  | 31-11      |

### 34、转向系统 /STEERING SYSTEM

| 图号<br>No. Of Figure | 名称<br>Name   | 适用产品<br>Products Applied | 备注<br>Remark | 页次<br>Page |
|---------------------|--|--------------------------|--------------|------------|
| 34-A                | 转向直拉杆和转向垂臂图<br>STEERING DRAG LINK AND STEERING DROP ARM          |                          |              | 34-1       |
| 34-B                | 3401AD-010 转向器展开图<br>3401AD-010 STEERING GEAR                    |                          |              | 34-5       |
| 34-C                | 3401AD-010-B 转向器展开图<br>3401AD-010-B STEERING GEAR                |                          |              | 34-11      |
| 34-D                | 转向管柱图<br>STEERING COLUMN   |                          |              | 34-17      |
| 34-E                | 转向直拉杆和垂臂图<br>STEERING DRAG LINK AND STEERING DROP ARM            |                          |              | 34-23      |
| 34-F                | 中间臂支架及垂臂图<br>MIDDLE ARM BRACKET AND DROP ARM                     |                          |              | 34-27      |
| 34-G                | 转向器连转向管柱图<br>STEERING GEAR CONNECTING STEERING COLUMN            |                          |              | 34-29      |
| 34-H                | 转向油管连转向油泵图<br>STEERING OIL PIPE CONNECTING STEERING OIL PUMP     |                          |              | 34-31      |
| 34-I                | 转向油管图<br>STEERING OIL PIPE                                       |                          |              | 34-33      |
| 34-J                | 右驾转向直拉杆和转向垂臂图<br>STEERING DRAG LINK AND STEERING DROP ARM OF RHD |                          |              | 34-35      |
| 34-K                | 右驾转向器展开图<br>STEERING GEAR OF RHD                                 |                          |              | 34-39      |

### 35、制动系统 /BRAKE SYSTEM

| 图号<br>No. Of Figure | 名称<br>Name  | 适用产品<br>Products Applied           | 备注<br>Remark | 页次<br>Page |
|---------------------|---|------------------------------------|--------------|------------|
| 35-A                | 驾驶室部分制动系统装置图<br>BRAKE SYSTEM IN CAB                     |                                    |              | 35-1       |
| 35-B                | 储气筒装置图<br>AIR RESERVOIR                                 |                                    |              | 35-9       |
| 35-C                | 储气筒安装总成图<br>AIR RESERVOIR INSTALLATION                  |                                    |              | 35-15      |
| 35-D                | 四桥车制动原理图<br>4-AXLE VEHICLE BRAKE                        | 四桥车<br>4-Axle Vehicle              |              | 35-19      |
| 35-E                | 6×4 系列底盘制动原理图 (A 型)<br>6×4 SERIES CHASSIS BRAKE(A TYPE) | 斯太尔系列<br>STEYR Series              |              | 35-23      |
| 35-F                | 6×4 系列底盘制动原理图 (B 型)<br>6×4 SERIES CHASSIS BRAKE(B TYPE) | 搅拌、自卸、货车<br>Mixer,Dump Truck,Truck |              | 35-27      |
| 35-G                | 双后桥装配图 (NO ABS)<br>DUAL REAR AXLE (W/O ABS)             |                                    |              | 35-31      |
| 35-H                | 双后桥预装配图 (配 ABS)<br>DUAL REAR AXLE(W/ABS)                |                                    |              | 35-33      |
| 35-I                | 单后桥预装配图 (NO ABS)<br>SINGLE REAR AXLE(W/O ABS)           |                                    |              | 35-35      |
| 35-J                | 单后桥预装配图 (配 ABS)<br>SINGLE REAR AXLE(W/ ABS)             |                                    |              | 35-37      |
| 35-K                | 挂车阀及螺旋管预装图<br>TRAILER BRAKE VALVE AND SPIRAL TUBE       | 牵引车<br>Tractor                     |              | 35-39      |
| 35-L                | 6×4 牵引车制动原理图<br>6×4 TRACTOR BRAKE                       |                                    |              | 35-43      |

| 图号<br>No. Of Figure | 名称<br>Name                                  | 适用产品<br>Products Applied | 备注<br>Remark | 页次<br>Page |
|---------------------|---|--------------------------|--------------|------------|
| 35-M                | 4×2 牵引车制动原理图<br>4×2 TRACTOR BRAKE           |                          |              | 35-49      |
| 35-N                | 空压机系统预装图<br>AIR COMPRESSOR SYSTEM           |                          |              | 35-53      |
| 35-O                | 气源连接图<br>AIR SOURCE                         |                          |              | 35-59      |
| 35-P                | 辅助用气原理图<br>AIDED AIR THEORY                 |                          |              | 35-63      |
| 35-Q                | 右驾驶室部分制动系统装置图<br>BRAKE SYSTEM IN CAB OF RHD | 右驾车型<br>RHD              |              | 35-67      |



### 36、电子装置系统 /ELECTRIC DEVICE SYSTEM

| 图号<br>No. Of Figure | 名称<br>Name  | 适用产品<br>Products Applied          | 备注<br>Remark | 页次<br>Page |
|---------------------|---|-----------------------------------|--------------|------------|
| 36-A                | 车速, 闪光, 多功能控制器装置图<br>VEHICLE SPEED,FLASHER,MULTI-CONTROLLER                           |                                   |              | 36-1       |
| 36-B                | 脉冲分配器装置图<br>PULSE DISTRIBUTOR   |                                   |              | 36-3       |
| 36-C                | 电动门窗控制装置图<br>POWER WINDOW CONTROLLER  |                                   |              | 36-5       |
| 36-D                | 水位传感器, 燃油液位传感器<br>WATER LEVEL SENSOR,FUEL LEVEL SENSOR                                |                                   |              | 36-7       |
| 36-E                | 气压传感器<br>AIR PRESSURE SENSOR  |                                   |              | 36-9       |
| 36-F                | 油门传感器, 车速传感器<br>THROTTLE SENSOR, SPEED SENSOR   |                                   |              | 36-11      |
| 36-G                | ABS 控制器<br>ABS CONTROLLER   | 康明斯发动机系列<br>CUMMINS Engine Series |              | 36-13      |
| 36-H                | ABS 控制器<br>ABS CONTROLLER   | 斯太尔发动机系列<br>STEYR Engine Series   |              | 36-17      |
| 36-I                | 车速传感器、机油压力传感器、水温传感器<br>SPEED SENSOR, OIL PRESSURE SENSOR, WATER<br>TEMPERATURE SENSOR |                                   |              | 36-19      |

### 37、电气设备系统 /ELECTRIC EQUIPMENT SYSTEM

| 图号<br>No. Of Figure | 名称<br>Name  | 适用产品<br>Products Applied | 备注<br>Remark | 页次<br>Page |
|---------------------|---|--------------------------|--------------|------------|
| 37-A                | 翘板开关装置图 I<br>PADDLE SWITCH I                                  |                          |              | 37-1       |
| 37-B                | 翘板开关装置图 II<br>PADDLE SWITCH II                                |                          |              | 37-3       |
| 37-C                | 翘板开关装置图 III<br>PADDLE SWITCH III                              |                          |              | 37-7       |
| 37-D                | 蓄电池框装置图<br>BATTERY FRAME                                      |                          |              | 37-9       |
| 37-E                | 蓄电池框支架图<br>BATTERY FRAME BRACKET                              |                          |              | 37-13      |
| 37-F                | 蓄电池框挡板装置图<br>BATTERY FRAME BAFFLE                             |                          |              | 37-15      |
| 37-G                | 大电流保险丝盒装置图<br>HIGH CURRENT FUSE BOX                           |                          |              | 37-17      |
| 37-H                | 大电流保险丝盒座<br>HIGH CURRENT FUSE BOX BASE                        |                          |              | 37-19      |
| 37-I                | 主电源继电器, 起动继电器装置图<br>PRIMARY POWER SUPPLY RELAY, STARTER RELAY |                          |              | 37-21      |
| 37-J                | 音响总成<br>AUDIO ASSEMBLY  |                          |              | 37-23      |
| 37-K                | 电、气喇叭, 蜂鸣器装置<br>ELECTRIC HORN, AIR HORN, BUZZER               |                          |              | 37-25      |
| 37-L                | 车尾灯, 蜂鸣器装置<br>TAILLAMP, BUZZER                                |                          |              | 37-27      |

| 图号<br>No. Of Figure | 名称<br>Name   | 适用产品<br>Products Applied | 备注<br>Remark | 页次<br>Page |
|---------------------|--|--------------------------|--------------|------------|
| 37-M                | 车尾灯, 蜂鸣器装置<br>TAILLAMP, BUZZER   |                          |              | 37-31      |
| 37-N                | 示廓灯, 车速灯<br>CLEARANCE LIGHT, SPEED LIGHT   |                          |              | 37-33      |
| 37-O                | 侧转向灯, 踏步灯装置<br>SIDE TURN LIGHT, STEP LAMP  |                          |              | 37-35      |
| 37-P                | 前组合灯, 雾灯<br>FRONT COMBINATION LIGHT, FOG LIGHT                                       |                          |              | 37-37      |
| 37-Q                | 室内荧光灯, 阅读灯 (平顶车)<br>INDOOR FLUORESCENT LAMP, READING LAMP<br>( FLAT ROOF VEHICLE)    |                          |              | 37-43      |
| 37-R                | 点烟器装置<br>CIGAR LIGHTER   |                          |              | 37-45      |
| 37-S                | 进气加热器指示器总成<br>INTAKE HEATER INDICATOR ASSEMBLY                                       |                          |              | 37-47      |
| 37-T                | 组合开关, 点火锁装置<br>COMBINATION SWITCH, IGNITION LOCK                                     |                          |              | 37-49      |
| 37-U                | 熄火电机, 龙门架线束, 空气滤清传感器<br>ENGINE STOP MOTOR, GANTRY WIRE HARNESS, AIR<br>FILTER SENSOR |                          |              | 37-51      |
| 37-V                | 雨刮器总成<br>WIPER ASSEMBLY  |                          |              | 37-53      |
| 37-W                | ABS 七孔插座<br>ABS 7-JACK SOCKET  |                          |              | 37-55      |
| 37-X                | 预热继电器<br>PRE-HEATING RELAY   |                          |              | 37-57      |
| 37-Y                | 继电器盒装置<br>RELAY BOX  |                          |              | 37-59      |
| 37-Z                | 保险丝盒<br>FUSE BOX   |                          |              | 37-63      |

| 图号<br>No. Of Figure | 名称<br>Name  | 适用产品<br>Products Applied | 备注<br>Remark | 页次<br>Page |
|---------------------|---|--------------------------|--------------|------------|
| 37-AA               | 离合器开关<br>CLUTCH SWITCH  |                          |              | 37-67      |
| 37-AB               | 支架, 线夹<br>BRACKET,WIRE CLIP   |                          |              | 37-69      |
| 37-AC               | 扎带, 定位夹<br>BAND, LOCATING CLAMP   |                          |              | 37-75      |
| 37-AD               | 整车线束<br>COMPLETE VEHICLE WIRE HARNESS   |                          |              | 37-79      |
| 37-AE               | 高顶车示廓灯, 气喇叭, 室内照明<br>HIGH ROOF VEHICLE CLEARANCE LAMP, AIR HORN,<br>INTERIOR LIGHTING | 高顶车<br>High Roof Vehicle |              | 37-113     |
| 37-AF               | 发电机<br>GENERATOR  |                          |              | 37-115     |

### 38、仪器仪表系统 /INSTRUMENT AND METER SYSTEM

| 图号<br>No. Of Figure | 名称<br>Name                   | 适用产品<br>Products Applied | 备注<br>Remark | 页次<br>Page |
|---------------------|------------------------------|--------------------------|--------------|------------|
| 38-A                | 组合仪表装置图<br>COMBINATION METER |                          |              | 38-1       |

### 39、随车工具 /DRIVER'S TOOL

| 图号<br>No. Of Figure | 名称<br>Name            | 适用产品<br>Products Applied | 备注<br>Remark | 页次<br>Page |
|---------------------|-----------------------|--------------------------|--------------|------------|
| 39-A                | 随车工具<br>DRIVER'S TOOL |                          |              | 39-1       |

## 50、车身系统 /BODY SYSTEM

| 图号<br>No. Of Figure | 名称<br>Name                          | 适用产品<br>Products Applied  | 备注<br>Remark                      | 页次<br>Page |
|---------------------|-------------------------------------|---------------------------|-----------------------------------|------------|
| 50-A                | 驾驶室总成<br>CAB ASSEMBLY               |                           | 平顶驾驶室专用<br>Only For Flat Roof Cab | 50-1       |
| 50-B                | 窄体驾驶室总成<br>NARROW CAB ASSEMBLY      | 窄体系列<br>Narrow Cab Series | 平顶驾驶室专用<br>Only For Flat Roof Cab | 50-5       |
| 50-C                | 右驾驾驶室总成<br>CAB ASSEMBLY FOR RHD     | 右驾系列<br>RHD Series        | 平顶驾驶室专用<br>Only For Flat Roof Cab | 50-9       |
| 50-D                | 驾驶室总成<br>CAB ASSEMBLY               |                           | 高顶驾驶室专用<br>Only For High Roof Cab | 50-13      |
| 50-E                | 右驾驾驶室总成<br>CAB ASSEMBLY FOR RHD     | 右驾系列<br>RHD Series        | 高顶驾驶室专用<br>Only For High Roof Cab | 50-17      |
| 50-F                | 驾驶室前悬置<br>CAB FRONT MOUNTING        |                           |                                   | 50-21      |
| 50-G                | 驾驶室后悬置<br>CAB REAR MOUNTING         |                           |                                   | 50-27      |
| 50-H                | 驾驶室翻转器<br>CAB TILT DEVICE           |                           |                                   | 50-31      |
| 50-I                | 右驾驾驶室翻转器<br>CAB TILT DEVICE FOR RHD | 右驾系列<br>RHD Series        |                                   | 50-39      |
| 50-J                | 轮罩<br>WHEEL HOUSING                 |                           |                                   | 50-43      |
| 50-K                | 发动机护罩<br>ENGINE PROTECTING COVER    |                           |                                   | 50-47      |

## 51、车身地板系统 /BODY FLOOR SYSTEM

| 图号<br>No. Of Figure | 名称<br>Name                          | 适用产品<br>Products Applied | 备注<br>Remark | 页次<br>Page |
|---------------------|-------------------------------------|--------------------------|--------------|------------|
| 51-A                | 地板堵盖系列<br>FLOOR BLOCK COVER SERIES  |                          |              | 51-1       |
| 51-B                | 后置物盒<br>REAR STORAGE BOX            |                          |              | 51-3       |
| 51-C                | 右驾后置物盒<br>REAR STORAGE BOX FOR RHD  | 右驾系列<br>RHD Series       |              | 51-9       |
| 51-D                | 排档罩<br>SHIFT COVER                  |                          |              | 51-15      |
| 51-E                | 右驾排档罩<br>SHIFT COVER FOR RHD        | 右驾系列<br>RHD Series       |              | 51-17      |
| 51-F                | 驾驶室地毯<br>CAB FLOOR CARPET           |                          |              | 51-19      |
| 51-G                | 右驾驾驶室地毯<br>CAB FLOOR CARPET FOR RHD | 右驾系列<br>RHD Series       |              | 51-23      |
| 51-H                | 软挡泥板<br>SOFT FENDER                 |                          |              | 51-27      |
| 51-I                | 下脚踏板<br>LOWER PEDAL                 |                          |              | 51-31      |
| 51-J                | 欧款下脚踏板<br>EUROPE LOWER PEDAL        | 欧款系列<br>Europe Series    |              | 51-37      |
| 51-K                | 上脚踏板<br>UPPER PEDAL                 |                          |              | 51-43      |

## 52、风窗系统 /WINDSHIELD SYSTEM

| 图号<br>No. Of Figure | 名称<br>Name              | 适用产品<br>Products Applied | 备注<br>Remark | 页次<br>Page |
|---------------------|-------------------------|--------------------------|--------------|------------|
| 52-A                | 刮水器、洗涤器<br>WIPER,WASHER |                          |              | 52-1       |
| 52-B                | 刮水器、洗涤器<br>WIPER,WASHER | 右驾系列<br>RHD Series       |              | 52-3       |
| 52-C                | 驾驶室玻璃<br>CAB GLASS      |                          |              | 52-5       |

## 53、前围系统 /FRONT-WALL SYSTEM

| 图号<br>No. Of Figure | 名称<br>Name                                  | 适用产品<br>Products Applied | 备注<br>Remark | 页次<br>Page |
|---------------------|---|--------------------------|--------------|------------|
| 53-A                | 驾驶室仪表板<br>CAB DASHBOARD                     |                          |              | 53-1       |
| 53-B                | 右驾驾驶室仪表板<br>CAB DASHBOARD FOR RHD           | 右驾系列<br>RHD Series       |              | 53-7       |
| 53-C                | 驾驶室前内护板<br>CAB FRONT INNER SHIELD           |                          |              | 53-13      |
| 53-D                | 右驾驾驶室前内护板<br>CAB FRONT INNER SHIELD FOR RHD | 右驾系列<br>RHD Series       |              | 53-17      |
| 53-E                | 仪表罩<br>INSTRUMENT SHROUD                    |                          |              | 53-21      |
| 53-F                | 右驾仪表罩<br>INSTRUMENT SHROUD FOR RHD          | 右驾系列<br>RHD Series       |              | 53-23      |



## 56、后围系统 /REAR QUARTER SYSTEM

| 图号<br>No. Of Figure | 名称<br>Name                                   | 适用产品<br>Products Applied | 备注<br>Remark | 页次<br>Page |
|---------------------|--|--------------------------|--------------|------------|
| 56-A                | 后围进气道总成<br>REAR QUARTER INTAKE DUCT ASSEMBLY |                          |              | 56-1       |

## 57、侧围、顶盖系统 /QUARTER,ROOF SYSTEM

| 图号<br>No. Of Figure | 名称<br>Name                         | 适用产品<br>Products Applied | 备注<br>Remark                      | 页次<br>Page |
|---------------------|------------------------------------|--------------------------|-----------------------------------|------------|
| 57-A                | 驾驶室前顶部件<br>CAB FRONT ROOF SET      |                          | 低顶驾驶室专用<br>Only For Low Roof Cab  | 57-1       |
| 57-B                | 顶盖内顶部件<br>CAB INNER ROOF SET       |                          | 低顶驾驶室专用<br>Only For Low Roof Cab  | 57-7       |
| 57-C                | 驾驶室前顶部件<br>CAB FRONT ROOF SET      |                          | 高顶驾驶室专用<br>Only For High Roof Cab | 57-15      |
| 57-D                | 顶盖内顶部件 I<br>CAB INNER ROOF SET I   |                          | 高顶驾驶室专用<br>Only For High Roof Cab | 57-21      |
| 57-E                | 顶盖内顶部件 II<br>CAB INNER ROOF SET II |                          | 高顶驾驶室专用<br>Only For High Roof Cab | 57-27      |
| 57-F                | 遮阳罩<br>SUNSHADE                    |                          | 高顶驾驶室专用<br>Only For High Roof Cab | 57-33      |

## 61、车门系统 /DOOR ASSEMBLY

| 图号<br>No. Of Figure | 名称<br>Name                            | 适用产品<br>Products Applied | 备注<br>Remark | 页次<br>Page |
|---------------------|---------------------------------------|--------------------------|--------------|------------|
| 61-A                | 车门门锁<br>DOOR LOCK                     |                          |              | 61-1       |
| 61-B                | 车门导轨升降器<br>DOOR RAIL REGULATOR        |                          |              | 61-5       |
| 61-C                | 车门内护板<br>DOOR INSIDE PROTECTING PLATE |                          |              | 61-9       |
| 61-D                | 车门铰链<br>DOOR HINGE                    |                          |              | 61-13      |
| 61-E                | 车门玻璃、密封条<br>DOOR GLASS,WEATHER STRIP  |                          |              | 61-17      |

## 68、座椅、卧铺系统 /SEAT, SLEEPING BERTH SYSTEM

| 图号<br>No. Of Figure | 名称<br>Name  | 适用产品<br>Products Applied | 备注<br>Remark                      | 页次<br>Page |
|---------------------|---|--------------------------|-----------------------------------|------------|
| 68-A                | 座椅、卧铺<br>SEAT,SLEEPING BERTH                              |                          | 低顶驾驶室专用<br>Only For Low Roof Cab  | 68-1       |
| 68-B                | 座椅、卧铺系统 (右驾系列)<br>SEAT,SLEEPING BERTH SYSTEM (RHD SERIES) | 右驾系列<br>RHD Series       | 低顶驾驶室专用<br>Only For Low Roof Cab  | 68-3       |
| 68-C                | 座椅、卧铺系统<br>SEAT,SLEEPING BERTH SYSTEM                     |                          | 高顶驾驶室专用<br>Only For High Roof Cab | 68-5       |
| 68-D                | 座椅、卧铺系统 (右驾系列)<br>SEAT,SLEEPING BERTH SYSTEM (RHD SERIES) | 右驾系列<br>RHD Series       | 高顶驾驶室专用<br>Only For High Roof Cab | 68-7       |

## 81、空气调节系统 /AIR CONDITIONING SYSTEM

| 图号<br>No. Of Figure | 名称<br>Name   | 适用产品<br>Products Applied | 备注<br>Remark  | 页次<br>Page |
|---------------------|--|--------------------------|---|------------|
| 81-A                | 控制面板、三箱体<br>CONTROL PANEL,THREE-BOX BODY                   |                          |   | 81-1       |
| 81-B                | 控制面板、三箱体(右驾系列)<br>CONTROL PANEL,THREE-BOX BODY(RHD SERIES) | 右驾系列<br>RHD Series       |   | 81-5       |
| 81-C                | 暖风管路<br>HEATER PIPELINE                                    |                          | 康明斯系列发动机空调专用<br>Only For CUMMINS Series Engine Air Conditioning | 81-7       |
| 81-D                | 压缩机、管路、冷凝器<br>COMPRESSOR,PIPELINE,CONDENSER                |                          | 康明斯系列发动机空调专用<br>Only For CUMMINS Series Engine Air Conditioning | 81-13      |
| 81-E                | 暖风管路<br>HEATER PIPELINE                                    |                          | 斯太尔系列发动机专用<br>Only For STEYR Series Engine                      | 81-23      |
| 81-F                | 压缩机、管路、冷凝器<br>COMPRESSOR,PIPELINE,CONDENSER                |                          | 斯太尔系列发动机空调专用<br>Only For STEYR Series Engine Air Conditioning   | 81-27      |

## 82、附件系统 /ACCESSORY SYSTEM

| 图号<br>No. Of Figure | 名称<br>Name   | 适用产品<br>Products Applied | 备注<br>Remark                      | 页次<br>Page |
|---------------------|--|--------------------------|-----------------------------------|------------|
| 82-A                | 后视镜、遮阳板<br>REAR VIEW MIRROR, SUNSHADE                    |                          | 低顶驾驶室专用<br>Only For Low Roof Cab  | 82-1       |
| 82-B                | 后视镜、遮阳板(右驾系列)<br>REAR VIEW MIRROR, SUNSHADE(RHD SERIES)  | 右驾系列<br>RHD Series       | 低顶驾驶室专用<br>Only For Low Roof Cab  | 82-7       |
| 82-C                | 安全带装置<br>SEAT BELT                                       |                          |                                   | 82-13      |
| 82-D                | 安全带装置(右驾系列)<br>SEAT BELT (RHD SERIES)                    | 右驾系列<br>RHD Series       |                                   | 82-15      |
| 82-E                | 扶手<br>ARM REST   |                          |                                   | 82-17      |
| 82-F                | 后视镜、遮阳板<br>REAR VIEW MIRROR, SUNSHADE                    |                          | 低顶驾驶室专用<br>Only For Low Roof Cab  | 82-23      |
| 82-G                | 后视镜、遮阳板(右驾系列)<br>REAR VIEW MIRROR, SUNSHADE (RHD SERIES) | 右驾系列<br>RHD Series       | 高顶驾驶室专用<br>Only For High Roof Cab | 82-29      |

## 84、前盖板组件 /FRONT COVER PANEL SET

| 图号<br>No. Of Figure | 名称<br>Name  | 适用产品<br>Products Applied  | 备注<br>Remark | 页次<br>Page |
|---------------------|---|---------------------------|--------------|------------|
| 84-A                | 前盖板<br>FRONT COVER PANEL  |                           |              | 84-1       |
| 84-B                | 欧款前围外饰件<br>FRONT-WALL EXTERIOR TRIMMING PARTS FOR<br>EUROPE MODEL     | 欧款系列<br>Europe Series     |              | 84-7       |
| 84-C                | 窄体前围外饰件<br>FRONT-WALL EXTERIOR TRIMMING PARTS FOR<br>NARROW CAB MODEL | 窄体系列<br>Narrow Cab Series |              | 84-11      |
| 84-D                | 盖板操纵机构<br>COVER PANEL CONTROL MECHANISM                               |                           |              | 84-15      |



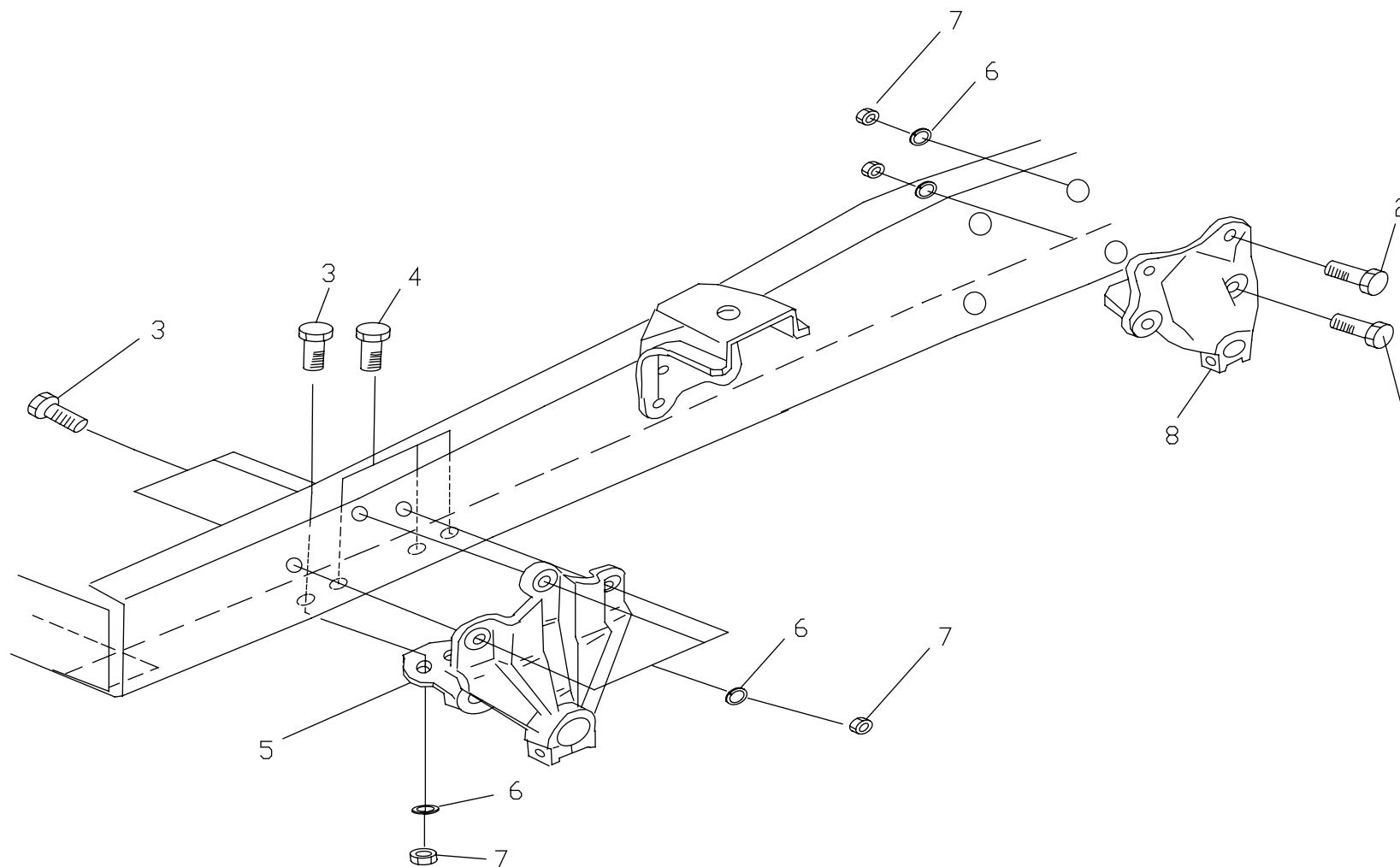
29

**悬架系统**

***SUSPENSION SYSTEM***

## 前板簧吊耳座装置图 I / FRONT LEAF SPRING SHACKLE SEAT I

29-A





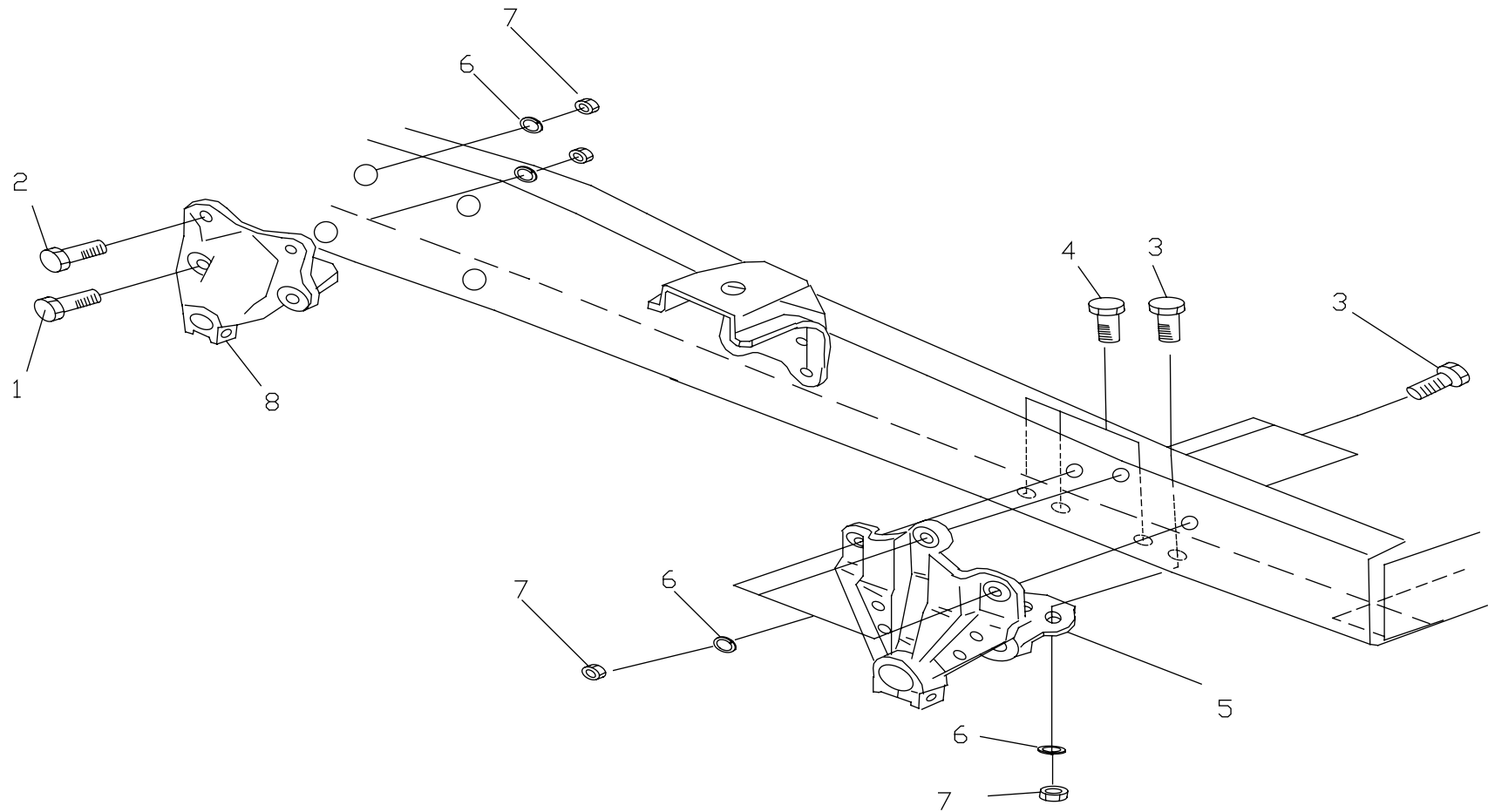
# 悬架系统 / SUSPENSION SYSTEM

29-2

| 序号<br>No. | 件号<br>Part No. | 数量<br>Quantity | 名称<br>Name  | 规格<br>Specification | 适用产品<br>Products Applied | 备注<br>Remark |
|-----------|----------------|----------------|---|---------------------|--------------------------|--------------|
| 1         | 29AD-01217     | 2              | 六角头螺栓<br>Hexagon Head Bolt                          |                     |                          |              |
| 2         | 29AD-01217     | 2              | 六角头螺栓<br>Hexagon Head Bolt                          |                     |                          |              |
| 3         | 29AD-01114     | 4              | 六角头螺栓<br>Hexagon Head Bolt                          |                     |                          |              |
| 4         | 29AD-01113     | 3              | 六角头螺栓<br>Hexagon Head Bolt                          |                     |                          |              |
| 5         | 29AD-01011     | 1              | 前板簧左前吊耳座<br>Front Leaf Spring Front Shackle Seat LH |                     |                          |              |
|           | 29AKD-01011    | 1              | 前板簧左前吊耳座<br>Front Leaf Spring Front Shackle Seat LH |                     | 右驾车型<br>RHD              |              |
| 6         | Q40514         | 11             | 弹簧垫圈<br>Spring Washer                               |                     |                          |              |
| 7         | Q341B14T13F3   | 11             | 六角螺母<br>Hexagon Nut                                 |                     |                          |              |
| 8         | 29AD-01031     | 1              | 前板簧左后吊耳座<br>Front Leaf Spring Rear Shackle Seat LH  |                     |                          |              |
|           | 29AKD-01031    | 1              | 前板簧左后吊耳座<br>Front Leaf Spring Rear Shackle Seat LH  |                     | 右驾车型<br>RHD              |              |

## 前板簧吊耳座装置图 II / FRONT LEAF SPRING SHACKLE SEAT II

29-B



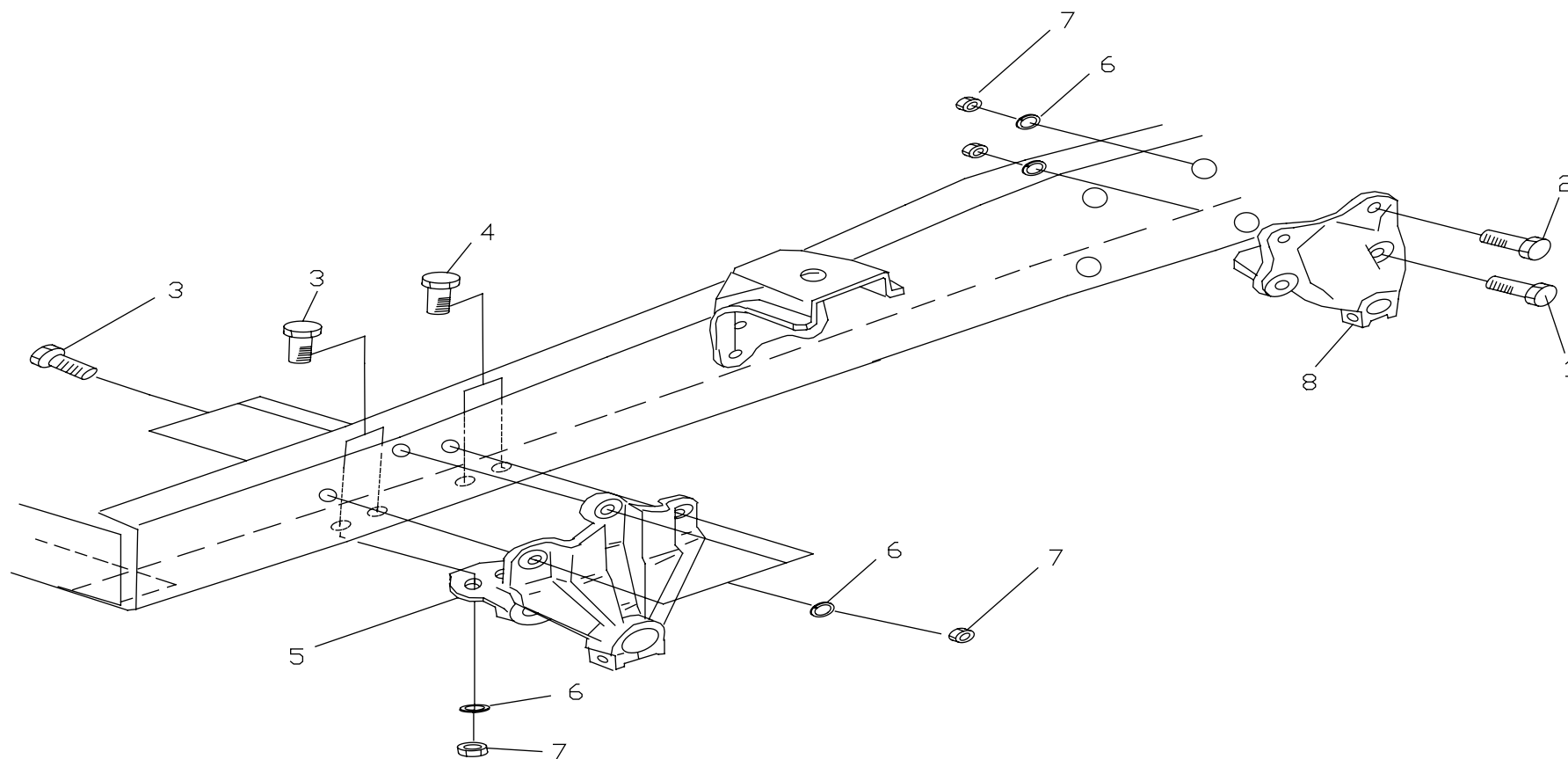
# 悬架系统 / SUSPENSION SYSTEM

29-4

| 序号<br>No. | 件号<br>Part No. | 数量<br>Quantity | 名称<br>Name  | 规格<br>Specification | 适用产品<br>Products Applied | 备注<br>Remark |
|-----------|----------------|----------------|---|---------------------|--------------------------|--------------|
| 1         | 29AD-01217     | 2              | 六角头螺栓<br>Hexagon Head Bolt                          |                     |                          |              |
| 2         | 29AD-01217     | 2              | 六角头螺栓<br>Hexagon Head Bolt                          |                     |                          |              |
| 3         | 29AD-01114     | 4              | 六角头螺栓<br>Hexagon Head Bolt                          |                     |                          |              |
| 4         | 29AD-01113     | 3              | 六角头螺栓<br>Hexagon Head Bolt                          |                     |                          |              |
| 5         | 29AD-01012     | 1              | 前板簧右前吊耳座<br>Front Leaf Spring Front Shackle Seat RH |                     |                          |              |
|           | 29AKD-01012    | 1              | 前板簧右前吊耳座<br>Front Leaf Spring Front Shackle Seat RH |                     | 右驾车型<br>RHD              |              |
| 6         | Q40514         | 11             | 弹簧垫圈<br>Spring Washer                               |                     |                          |              |
| 7         | Q341B14T13F3   | 11             | 六角螺母<br>Hexagon Nut                                 |                     |                          |              |
| 8         | 29AD-01032     | 1              | 前板簧右后吊耳座<br>Front Leaf Spring Rear Shackle Seat RH  |                     |                          |              |
|           | 29AKD-01032    | 1              | 前板簧右后吊耳座<br>Front Leaf Spring Rear Shackle Seat RH  |                     | 右驾车型<br>RHD              |              |

## 前板簧吊耳座装置图III / FRONT LEAF SPRING SHACKLE SEAT III

29-C



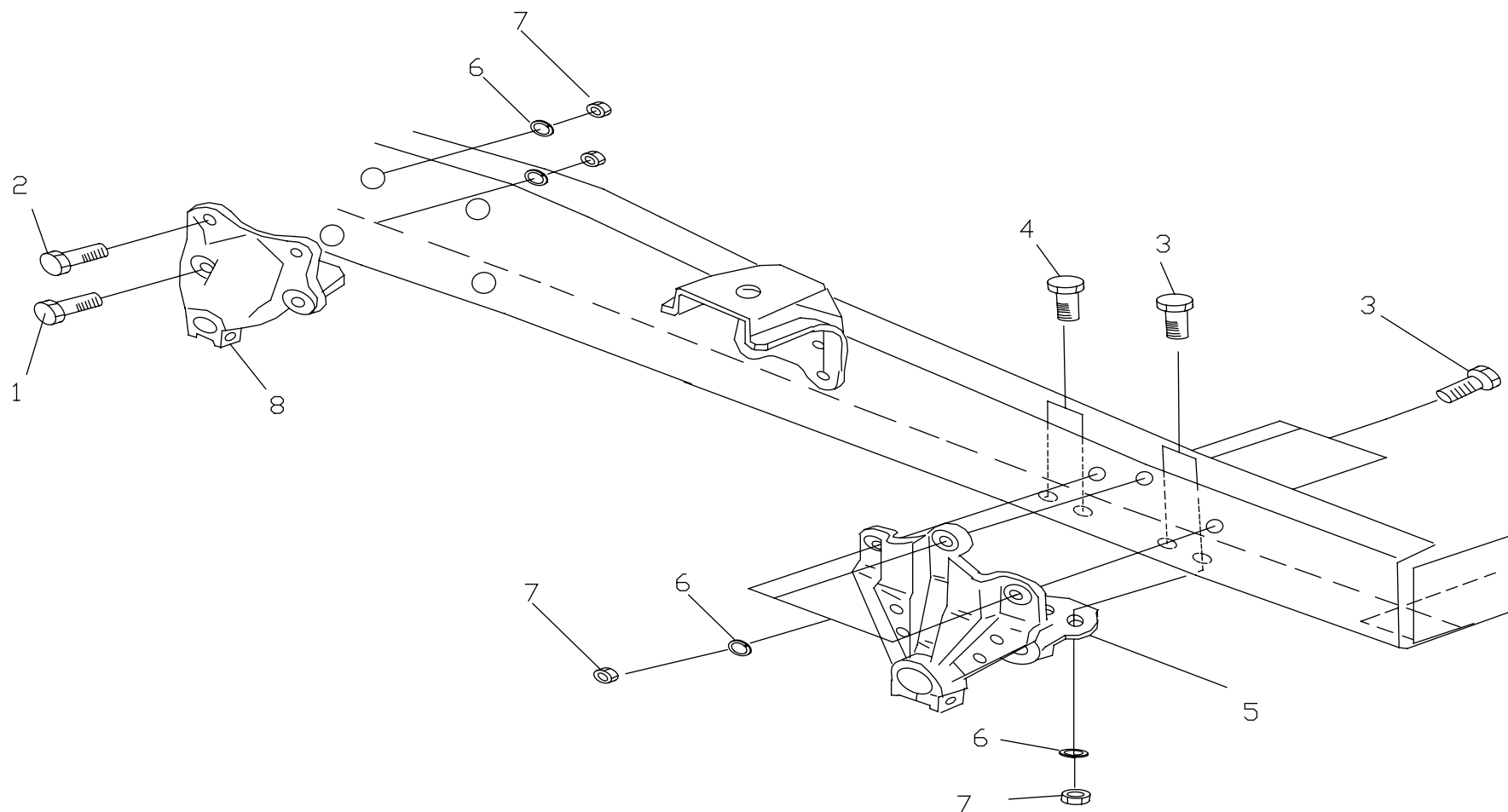
悬架系统 / SUSPENSION SYSTEM

29-6

| 序号<br>No. | 件号<br>Part No. | 数量<br>Quantity | 名称<br>Name  | 规格<br>Specification | 适用产品<br>Products Applied | 备注<br>Remark |
|-----------|----------------|----------------|---|---------------------|--------------------------|--------------|
| 1         | 29A2D-01117    | 2              | 六角头螺栓<br>Hexagon Head Bolt                          |                     |                          |              |
| 2         | 29AD-01217     | 2              | 六角头螺栓<br>Hexagon Head Bolt                          |                     |                          |              |
| 3         | 29AD-01114     | 5              | 六角头螺栓<br>Hexagon Head Bolt                          |                     |                          |              |
| 4         | 29AD-01113     | 2              | 六角头螺栓<br>Hexagon Head Bolt                          |                     |                          |              |
| 5         | 29AD-01011     | 1              | 前板簧左前吊耳座<br>Front Leaf Spring Front Shackle Seat LH |                     |                          |              |
|           | 29AKD-01011    | 1              | 前板簧左前吊耳座<br>Front Leaf Spring Front Shackle Seat LH |                     | 右驾车型<br>RHD              |              |
| 6         | Q40514         | 11             | 弹簧垫圈<br>Spring Washer                               |                     |                          |              |
| 7         | Q341B14T13F3   | 11             | 六角螺母<br>Hexagon Nut                                 |                     |                          |              |
| 8         | 29AD-01031     | 1              | 前板簧左后吊耳座<br>Front Leaf Spring Rear Shackle Seat LH  |                     |                          |              |
|           | 29AKD-01031    | 1              | 前板簧左后吊耳座<br>Front Leaf Spring Rear Shackle Seat LH  |                     | 右驾车型<br>RHD              |              |

## 前板簧吊耳座装置图IV / FRONT LEAF SPRING SHACKLE SEAT IV

29-D



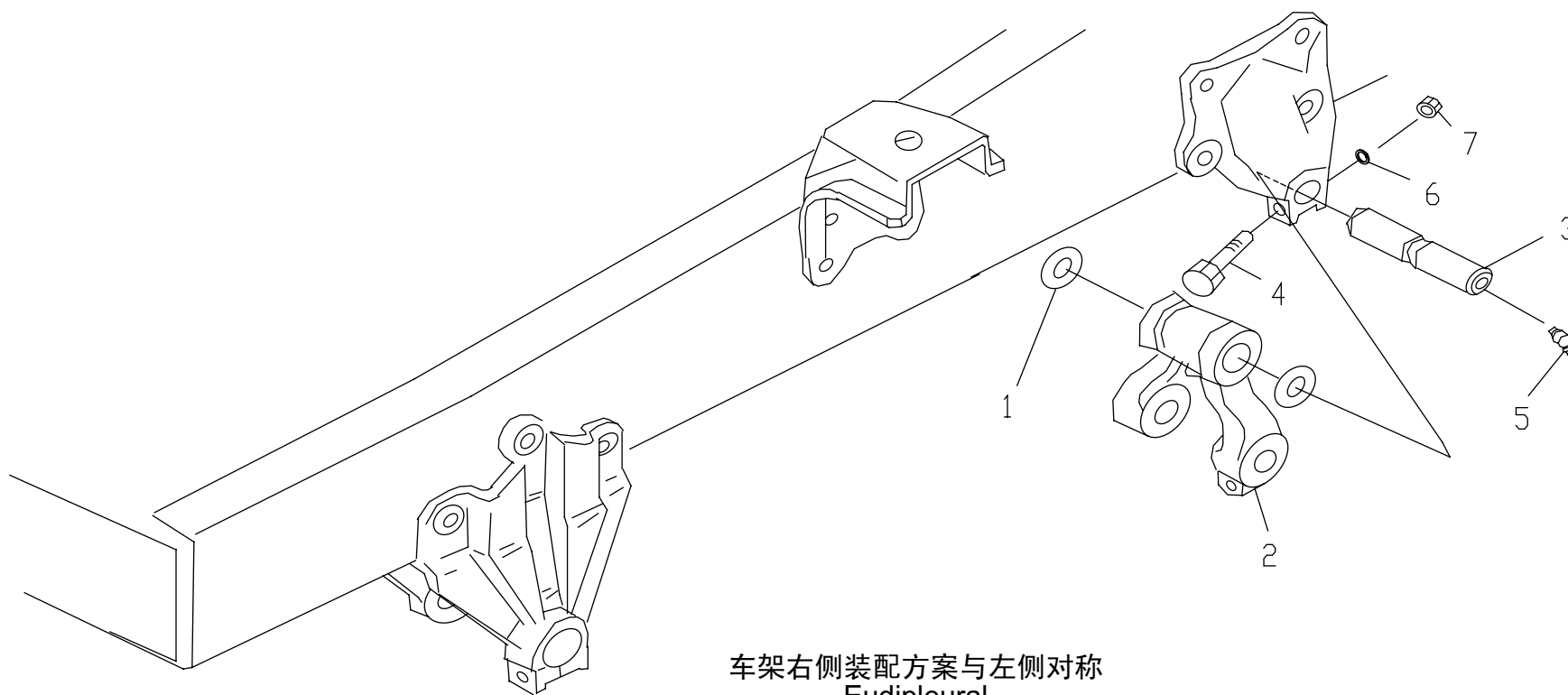
悬架系统 / SUSPENSION SYSTEM

29-8

| 序号<br>No. | 件号<br>Part No. | 数量<br>Quantity | 名称<br>Name  | 规格<br>Specification | 适用产品<br>Products Applied | 备注<br>Remark |
|-----------|----------------|----------------|---|---------------------|--------------------------|--------------|
| 1         | 29A2D-01117    | 2              | 六角头螺栓<br>Hexagon Head Bolt                          |                     |                          |              |
| 2         | 29AD-01217     | 2              | 六角头螺栓<br>Hexagon Head Bolt                          |                     |                          |              |
| 3         | 29AD-01114     | 5              | 六角头螺栓<br>Hexagon Head Bolt                          |                     |                          |              |
| 4         | 29AD-01113     | 2              | 六角头螺栓<br>Hexagon Head Bolt                          |                     |                          |              |
| 5         | 29AD-01012     | 1              | 前板簧右前吊耳座<br>Front Leaf Spring Front Shackle Seat RH |                     |                          |              |
|           | 29AKD-01012    | 1              | 前簧板右前吊耳座<br>Front Leaf Spring Front Shackle Seat RH |                     | 右驾车型<br>RHD              |              |
| 6         | Q40514         | 11             | 弹簧垫圈<br>Spring Washer                               |                     |                          |              |
| 7         | Q341B14T13F3   | 11             | 六角螺母<br>Hexagon Nut                                 |                     |                          |              |
| 8         | 29AD-01032     | 1              | 前板簧右后吊耳座<br>Front Leaf Spring Rear Shackle Seat RH  |                     |                          |              |
|           | 29AKD-01032    |                | 前板簧右后吊耳座<br>Front Leaf Spring Rear Shackle Seat RH  |                     | 右驾车型<br>RHD              |              |

## 前板簧吊耳装置图 / FRONT LEAF SPRING SHACKLE

29-E





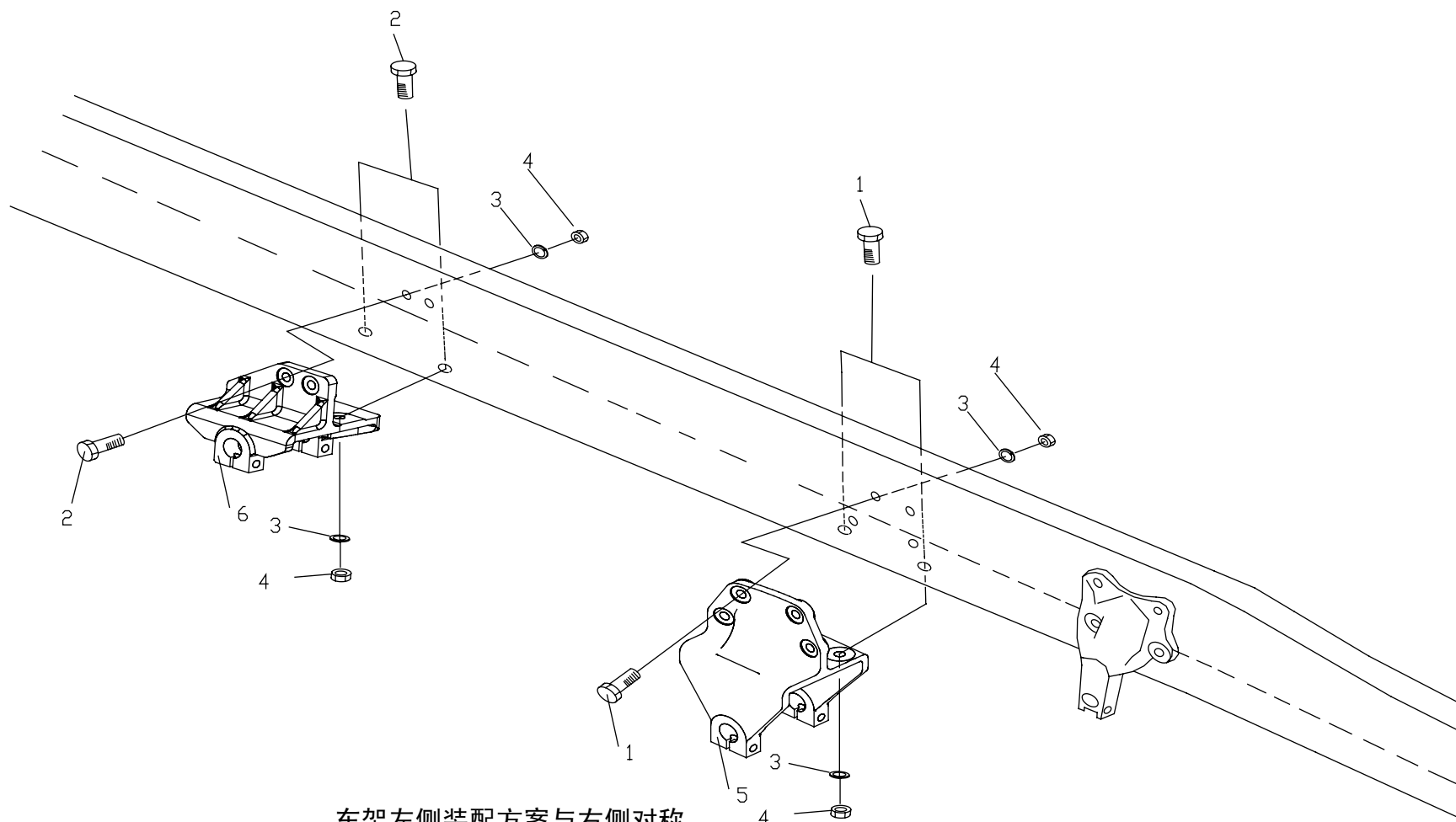
悬架系统 / SUSPENSION SYSTEM

29-10

| 序号<br>No. | 件号<br>Part No. | 数量<br>Quantity | 名称<br>Name                    | 规格<br>Specification | 适用产品<br>Products Applied | 备注<br>Remark |
|-----------|----------------|----------------|-------------------------------|---------------------|--------------------------|--------------|
| 1         | 29AD-02037     | 4              | 垫圈<br>Washer                  |                     |                          |              |
| 2         | 29AD-01020     | 2              | 吊耳<br>Shackle                 |                     |                          |              |
| 3         | 29AD-01021     | 2              | 钢板弹簧销<br>Leaf Spring Pin      |                     |                          |              |
| 4         | 29AD-01061     | 2              | 六角螺栓<br>Hexagon Bolt          |                     |                          |              |
| 5         | Q701B45        | 2              | 弯颈式滑脂嘴<br>Elbow Grease Nipple |                     |                          |              |
| 6         | Q40512         | 2              | 弹簧垫圈<br>Spring Washer         |                     |                          |              |
| 7         | Q341C12T13F3   | 2              | 六角螺母<br>Hexagon Nut           |                     |                          |              |

四桥车前板簧支架装置图 I / 4-AXLE VEHICLE FRONT LEAF SPRING BRACKET I

29-F



车架左侧装配方案与右侧对称  
Eudipleural

# 悬架系统 / SUSPENSION SYSTEM

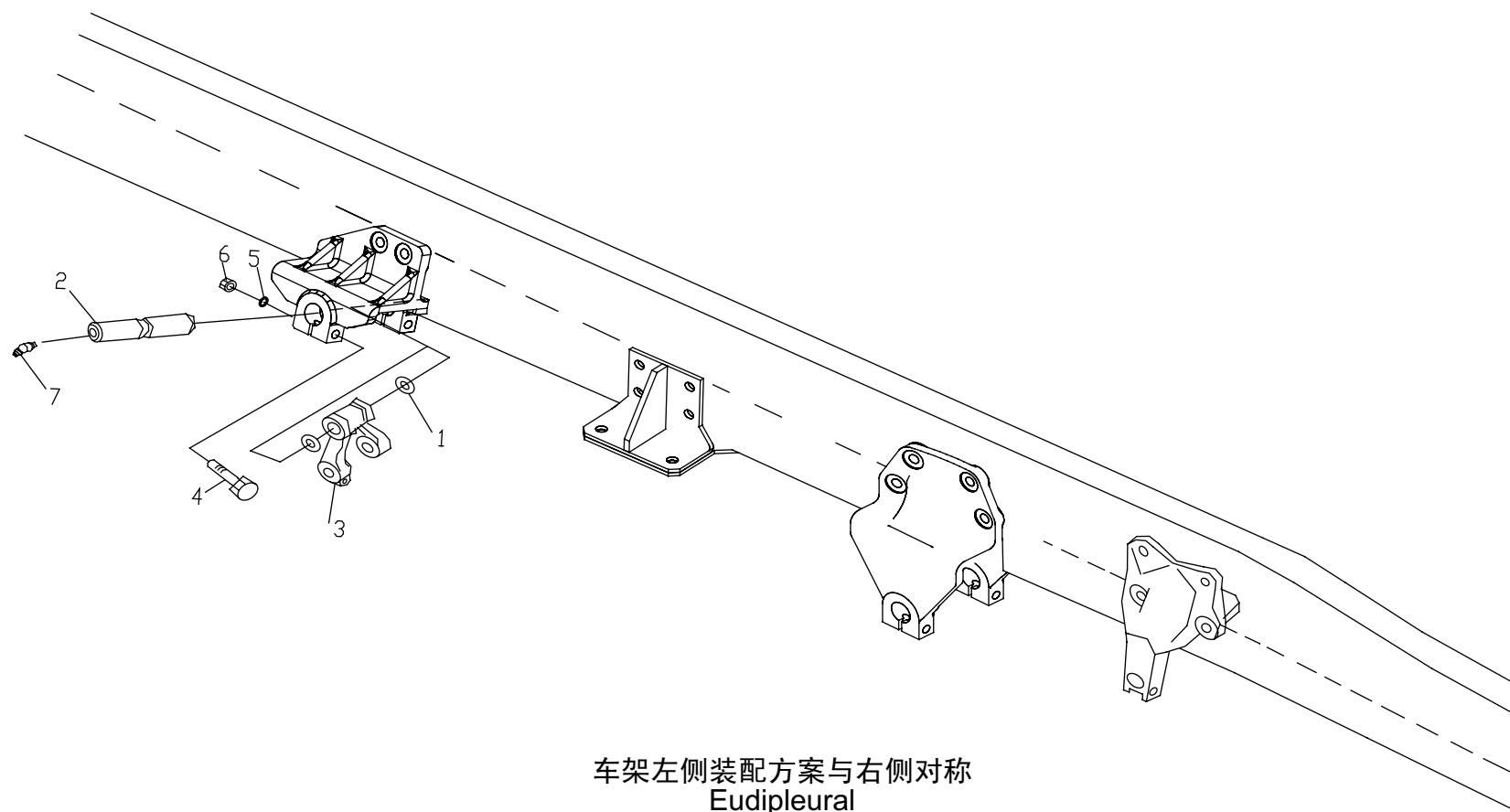
29-12

| 序号<br>No. | 件号<br>Part No. | 数量<br>Quantity | 名称<br>Name                                    | 规格<br>Specification | 适用产品<br>Products Applied | 备注<br>Remark               |
|-----------|----------------|----------------|---|---------------------|--------------------------|----------------------------|
| 1         | 29AD-01113     | 12             | 六角头螺栓<br>Hexagon Head Bolt                    |                     |                          |                            |
| 2         | 29AD-01114     | 8              | 六角头螺栓<br>Hexagon Head Bolt                    |                     |                          |                            |
| 3         | Q40514         | 20             | 弹簧垫圈<br>Spring Washer                         |                     |                          |                            |
| 4         | Q341B14T13F3   | 20             | I型六角螺母<br>Hexagon Full Nut                    |                     |                          |                            |
| 5         | 29ADP5-01042   | 1              | 前板簧右前支架<br>Front Leaf Spring Front Bracket RH |                     |                          |                            |
|           | 29ADP5-01041   | 1              | 前板簧左前支架<br>Front Leaf Spring Front Bracket LH |                     |                          | 车架左侧<br>Left Side Of Frame |
|           | 29AKDP5-01042  | 1              | 前板簧右前支架<br>Front Leaf Spring Front Bracket RH |                     | 右驾车型<br>RHD              |                            |
|           | 29AKDP5-01042  | 1              | 前板簧左前支架<br>Front Leaf Spring Front Bracket LH |                     | 右驾车型<br>RHD              |                            |
| 6         | 29AD-01052     | 1              | 前板簧右后支架<br>Front Leaf Spring Rear Bracket RH  |                     |                          |                            |
|           | 29ADP5-01051   | 1              | 前板簧左后支架<br>Front Leaf Spring Rear Bracket LH  |                     |                          | 车架左侧<br>Left Side Of Frame |

## 四桥车前板簧支架装置图 II

### 4-AXLE VEHICLE FRONT LEAF SPRING BRACKET II

29-G



车架左侧装配方案与右侧对称  
Eudipleural

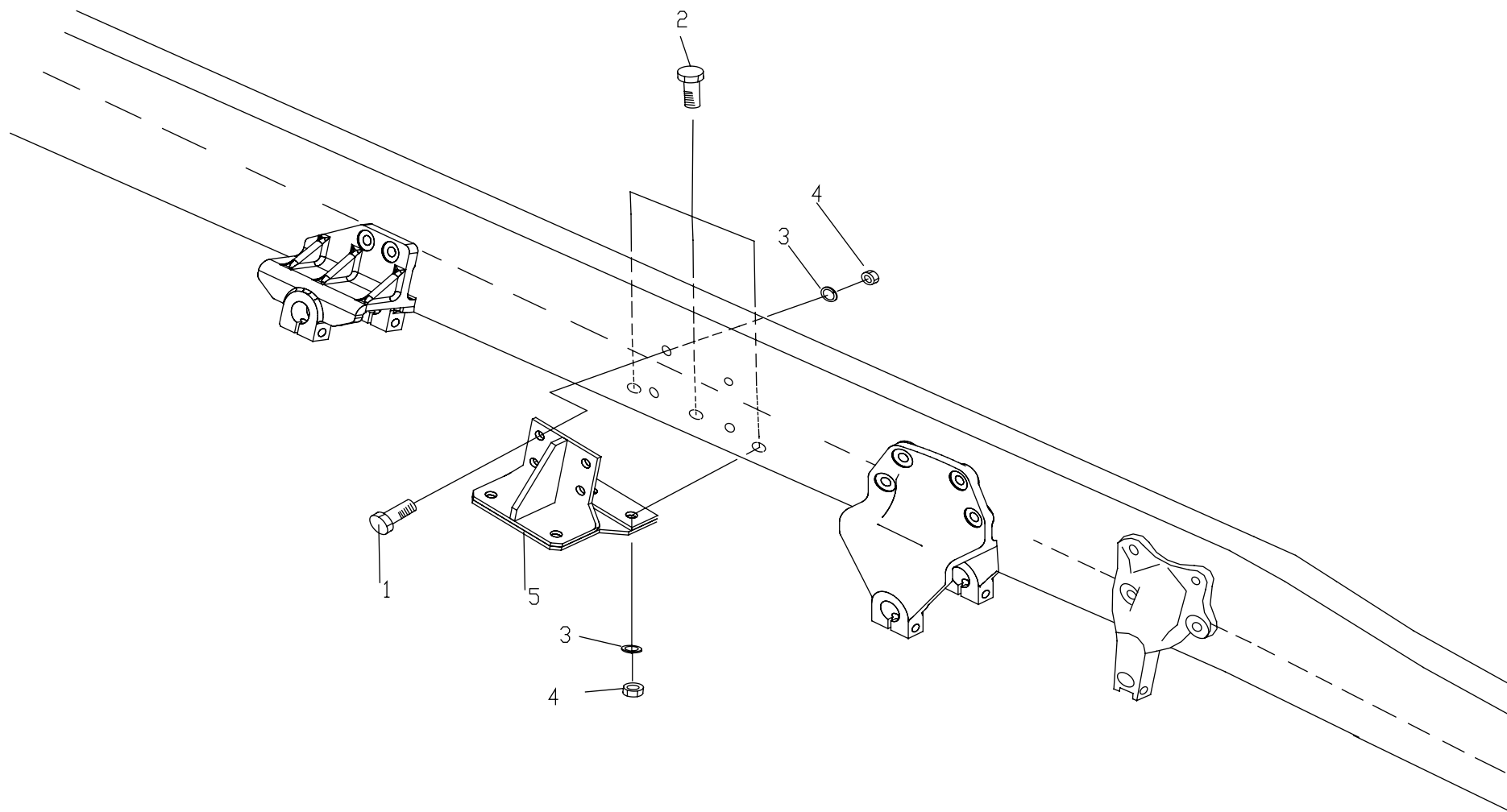
悬架系统 / SUSPENSION SYSTEM

29-14

| 序号<br>No. | 件号<br>Part No. | 数量<br>Quantity | 名称<br>Name                    | 规格<br>Specification | 适用产品<br>Products Applied | 备注<br>Remark |
|-----------|----------------|----------------|-------------------------------|---------------------|--------------------------|--------------|
| 1         | 29AD-02037     | 4              | 垫圈<br>Washer                  |                     |                          |              |
| 2         | 29AD-01021     | 2              | 钢板弹簧销<br>Leaf Spring Pin      |                     |                          |              |
| 3         | 29AD-01020     | 2              | 吊耳<br>Shackle                 |                     |                          |              |
| 4         | 29ADQ1-01051   | 2              | 六角螺栓<br>Hexagon Bolt          |                     |                          |              |
| 5         | Q40512         | 2              | 弹簧垫圈<br>Spring Washer         |                     |                          |              |
| 6         | Q341C12T13F3   | 2              | 六角螺母<br>Hexagon Nut           |                     |                          |              |
| 7         | Q701B45        | 2              | 弯颈式滑脂嘴<br>Elbow Grease Nipple |                     |                          |              |

## 四桥车限位块挡块装置图 I / 4-AXLE VEHICLE LIMITING STOPPER I

29-H



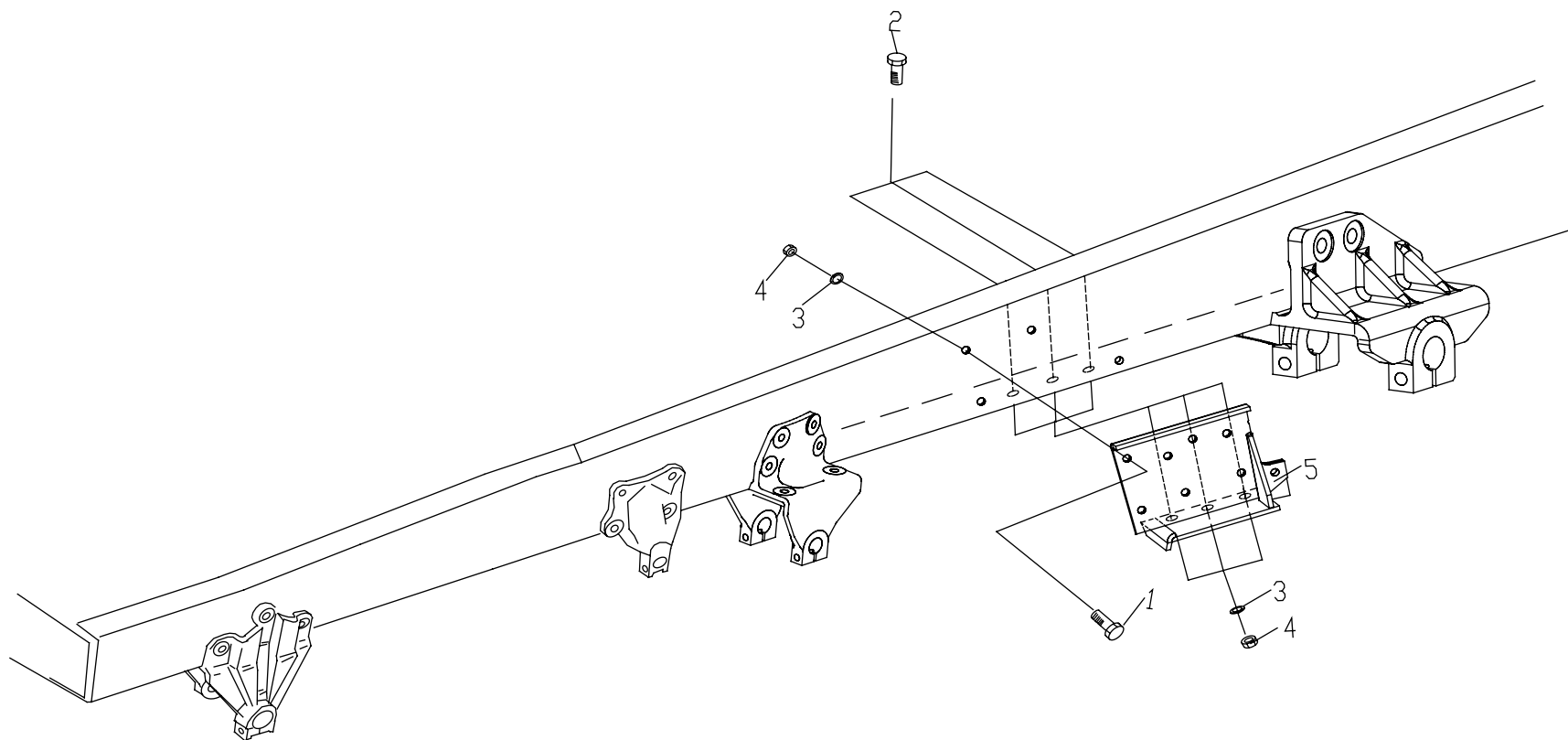
# 悬架系统 / SUSPENSION SYSTEM

29-16

| 序号<br>No. | 件号<br>Part No. | 数量<br>Quantity | 名称<br>Name                 | 规格<br>Specification | 适用产品<br>Products Applied | 备注<br>Remark |
|-----------|----------------|----------------|----------------------------|---------------------|--------------------------|--------------|
| 1         | Q151B1440      | 4              | 六角头螺栓<br>Hexagon Head Bolt |                     |                          |              |
| 2         | Q151B1445      | 3              | 六角头螺栓<br>Hexagon Head Bolt |                     |                          |              |
| 3         | Q40514         | 7              | 弹簧垫圈<br>Spring Washer      |                     |                          |              |
| 4         | Q341B14T13F3   | 7              | 六角螺母<br>Hexagon Nut        |                     |                          |              |
| 5         | 29ADP5-05117   | 1              | 限位块挡块<br>Limiting Stopper  |                     |                          |              |
|           | 29AKDYP5-05117 | 1              | 限位块挡块<br>Limiting Stopper  |                     | 右驾车型<br>RHD              |              |

## 四桥车限位块挡块装置图 II / 4-AXLE VEHICLE LIMITING STOPPER II

29-1





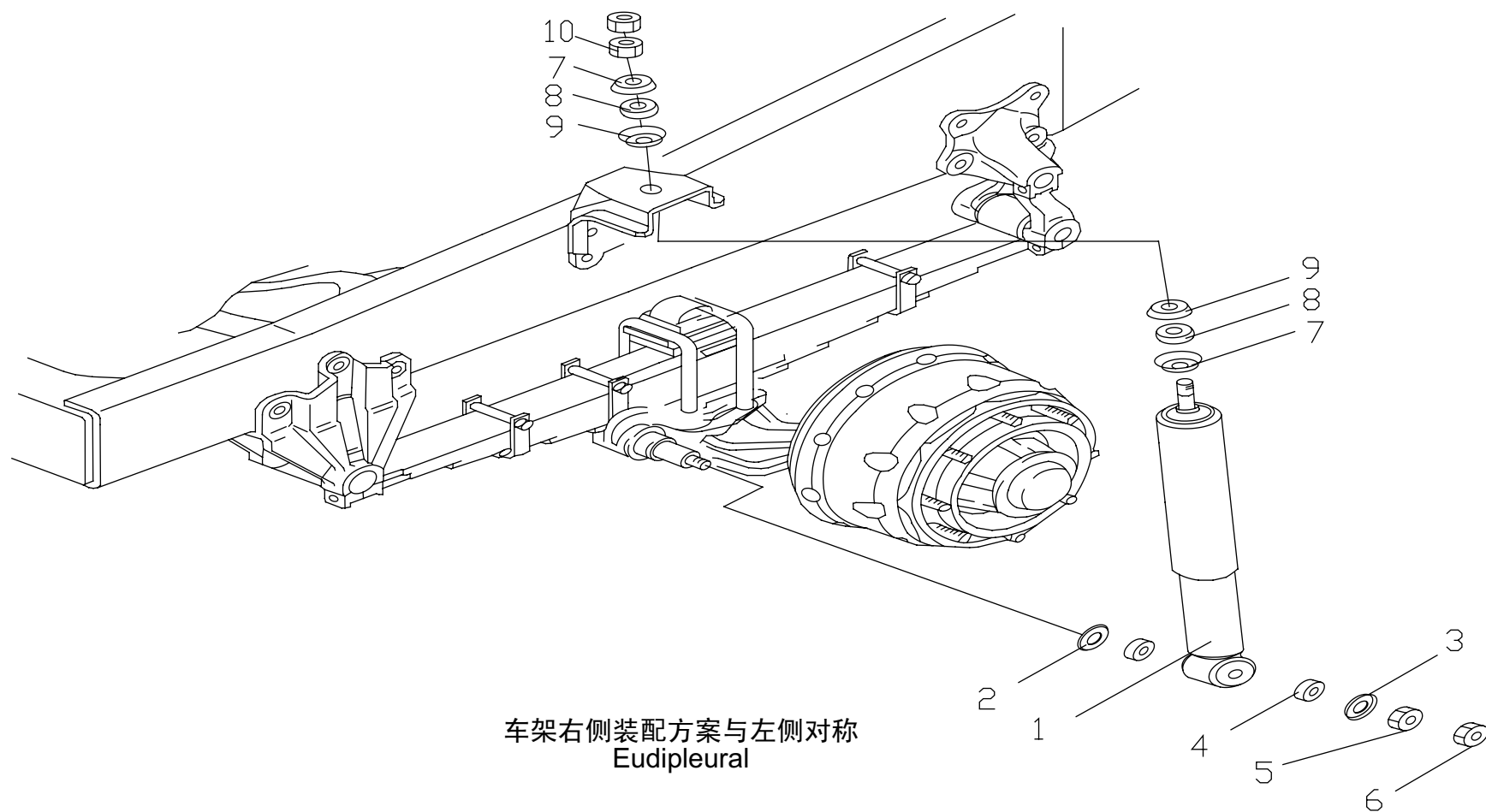
# 悬架系统 / SUSPENSION SYSTEM

29-18

| 序号<br>No. | 件号<br>Part No. | 数量<br>Quantity | 名称<br>Name                 | 规格<br>Specification | 适用产品<br>Products Applied | 备注<br>Remark |
|-----------|----------------|----------------|----------------------------|---------------------|--------------------------|--------------|
| 1         | Q151B1440      | 4              | 六角头螺栓<br>Hexagon Head Bolt |                     |                          |              |
| 2         | Q151B1445      | 3              | 六角头螺栓<br>Hexagon Head Bolt |                     |                          |              |
| 3         | Q40514         | 7              | 弹簧垫圈<br>Spring Washer      |                     |                          |              |
| 4         | Q341B14T13F3   | 7              | 六角螺母<br>Hexagon Nut        |                     |                          |              |
| 5         | 29ADP5-05118   | 1              | 限位块挡块<br>Limiting Stopper  |                     |                          |              |
|           | 29AKDYP5-05118 | 1              | 限位块挡块<br>Limiting Stopper  |                     | 右驾车型<br>RHD              |              |

## 减震器装置图 / SHOCK ABSORBER

29-J



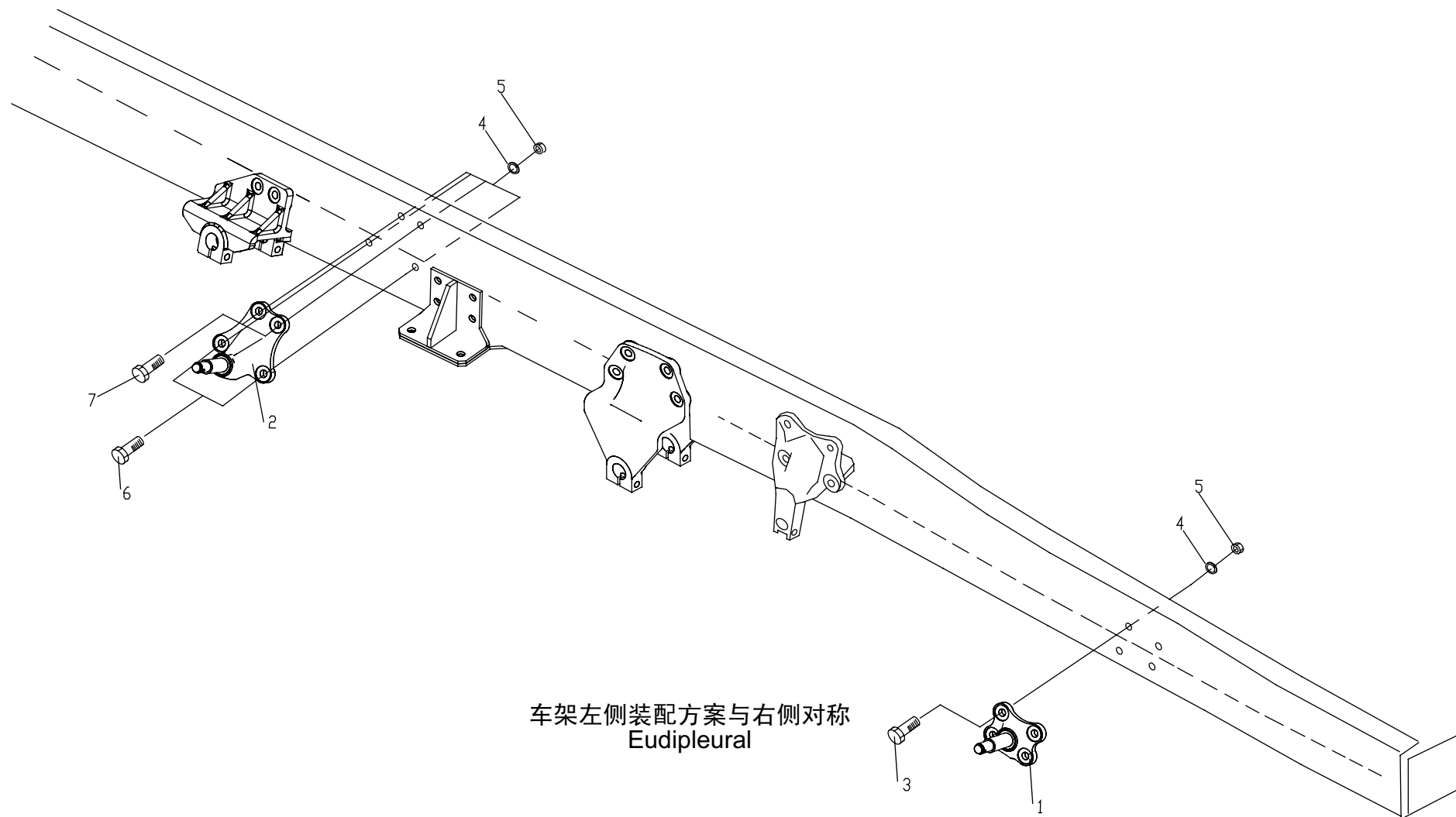
悬架系统 / SUSPENSION SYSTEM

29-20

| 序号<br>No. | 件号<br>Part No. | 数量<br>Quantity | 名称<br>Name                       | 规格<br>Specification | 适用产品<br>Products Applied | 备注<br>Remark |
|-----------|----------------|----------------|----------------------------------|---------------------|--------------------------|--------------|
| 1         | 29AD-05010     | 2              | 减振器总成<br>Shock Absorber Assembly |                     |                          |              |
| 2         | 29AD-05021     | 2              | 内垫圈<br>Inner Washer              |                     |                          |              |
| 3         | 29AD-05027     | 2              | 外垫圈<br>Outer Washer              |                     |                          |              |
| 4         | 29AD-05022     | 4              | 橡胶衬套<br>Rubber Bushing           |                     |                          |              |
| 5         | Q341B20        | 2              | I型六角螺母<br>Hexagon Full Nut       |                     |                          |              |
| 6         | Q351B20        | 2              | 六角薄螺母<br>Hexagon Thin Nut        |                     |                          |              |
| 7         | 29AD-05043     | 4              | 垫圈<br>Washer                     |                     |                          |              |
| 8         | 29AD-05042     | 4              | 橡胶圈<br>Rubber Ring               |                     |                          |              |
| 9         | 29AD-05041     | 4              | 定心垫圈<br>Centering Washer         |                     |                          |              |
| 10        | Q353B16        | 4              | 六角较薄螺母<br>Hexagon Thinner Nut    |                     |                          |              |

四桥车减震器装置图 I / 4-AXLE VEHICLE SHOCK ABSORBER I

29-K



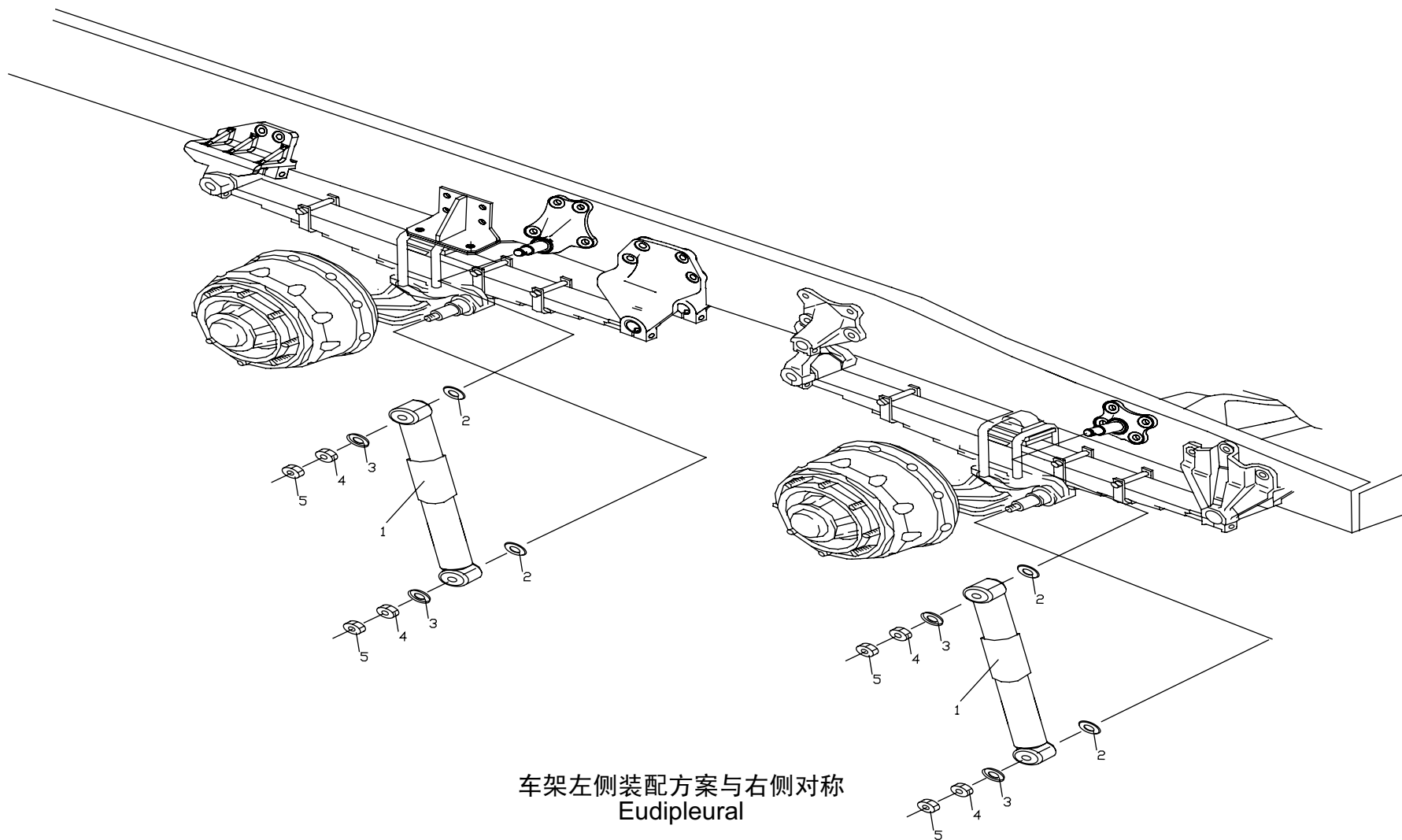
悬架系统 / SUSPENSION SYSTEM

29-22

| 序号<br>No. | 件号<br>Part No. | 数量<br>Quantity | 名称<br>Name                                | 规格<br>Specification | 适用产品<br>Products Applied | 备注<br>Remark               |
|-----------|----------------|----------------|---|---------------------|--------------------------|----------------------------|
| 1         | 29ADP5-05113   | 2              | 减振器前支座<br>Shock Absorber Front Support    |                     |                          |                            |
| 2         | 29ADP5-05121   | 1              | 减振器右后支座<br>Shock Absorber Rear Support RH |                     |                          |                            |
| 2         | 29ADP5-05122   | 1              | 减振器左后支座<br>Shock Absorber Rear Support LH |                     |                          | 车架左侧<br>Left Side Of Frame |
| 3         | 29AD-01114     | 8              | 六角螺栓<br>Hexagon Bolt                      |                     |                          |                            |
| 4         | Q40514         | 14             | 弹簧垫圈<br>Spring Washer                     |                     |                          |                            |
| 5         | Q341B14T13F3   | 14             | 六角螺母<br>Hexagon Nut                       |                     |                          |                            |
| 6         | 29AD-01114     | 4              | 六角螺栓<br>Hexagon Bolt                      |                     |                          |                            |
| 7         | 29A3D-01113    | 4              | 六角螺栓<br>Hexagon Bolt                      |                     |                          |                            |

## 四桥车减震器装置图 II / 4-AXLE VEHICLE SHOCK ABSORBER II

29-L



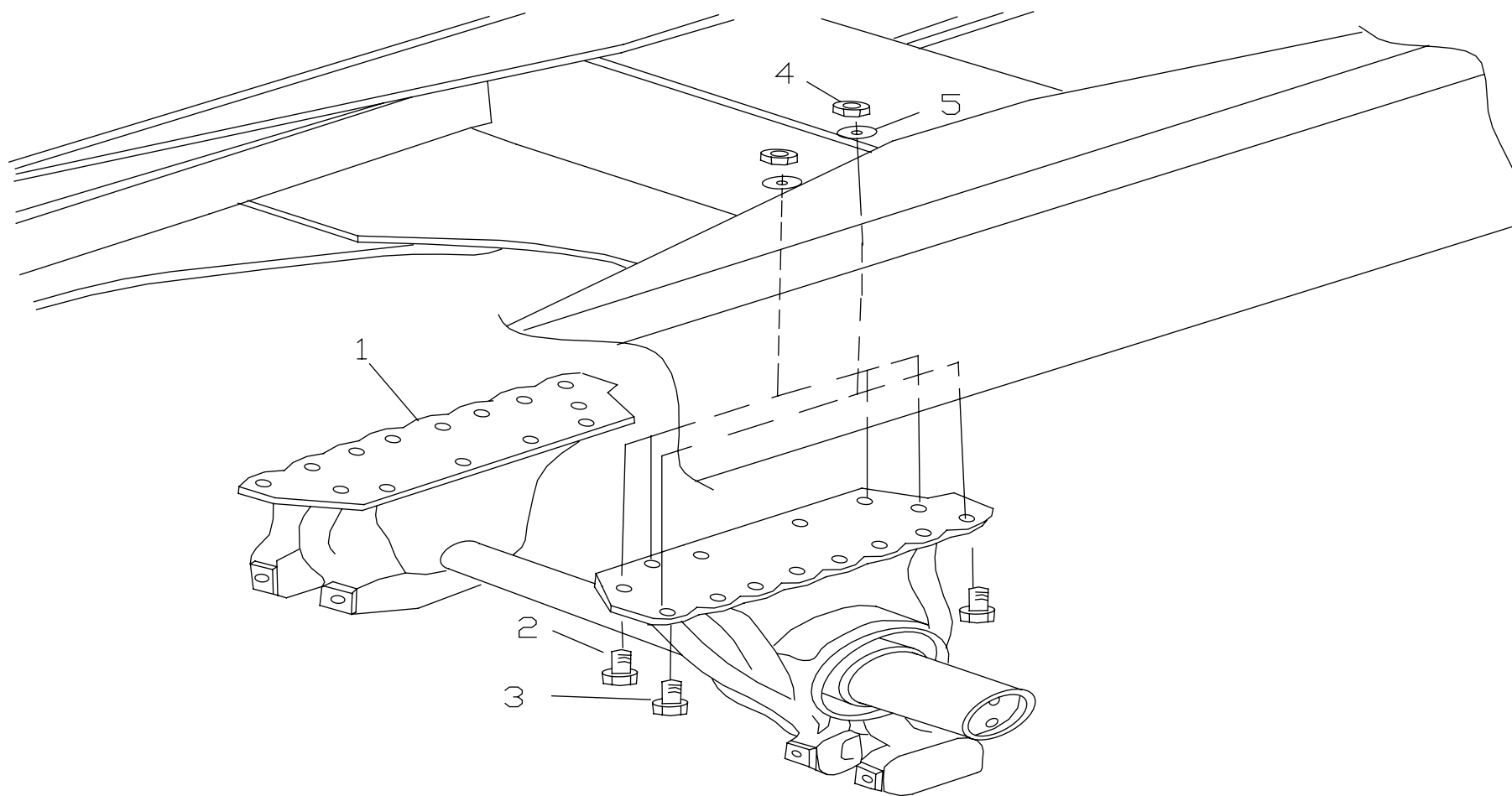
悬架系统 / SUSPENSION SYSTEM

29-24

| 序号<br>No. | 件号<br>Part No. | 数量<br>Quantity | 名称<br>Name                       | 规格<br>Specification | 适用产品<br>Products Applied | 备注<br>Remark |
|-----------|----------------|----------------|----------------------------------|---------------------|--------------------------|--------------|
| 1         | 29ADP5-05010   | 4              | 减振器总成<br>Shock Absorber Assembly |                     |                          |              |
| 2         | 29AD-05021     | 8              | 内垫圈<br>Inner Washer              |                     |                          |              |
| 3         | 29AD-05027     | 8              | 外垫圈<br>Outer Washer              |                     |                          |              |
| 4         | Q341B20        | 8              | I型六角螺母<br>Hexagon Full Nut       |                     |                          |              |
| 5         | Q351B20        | 8              | 六角薄螺母<br>Hexagon Thin Nut        |                     |                          |              |

## 平衡轴装置图 I / TRUNNION SHAFT I

29-M





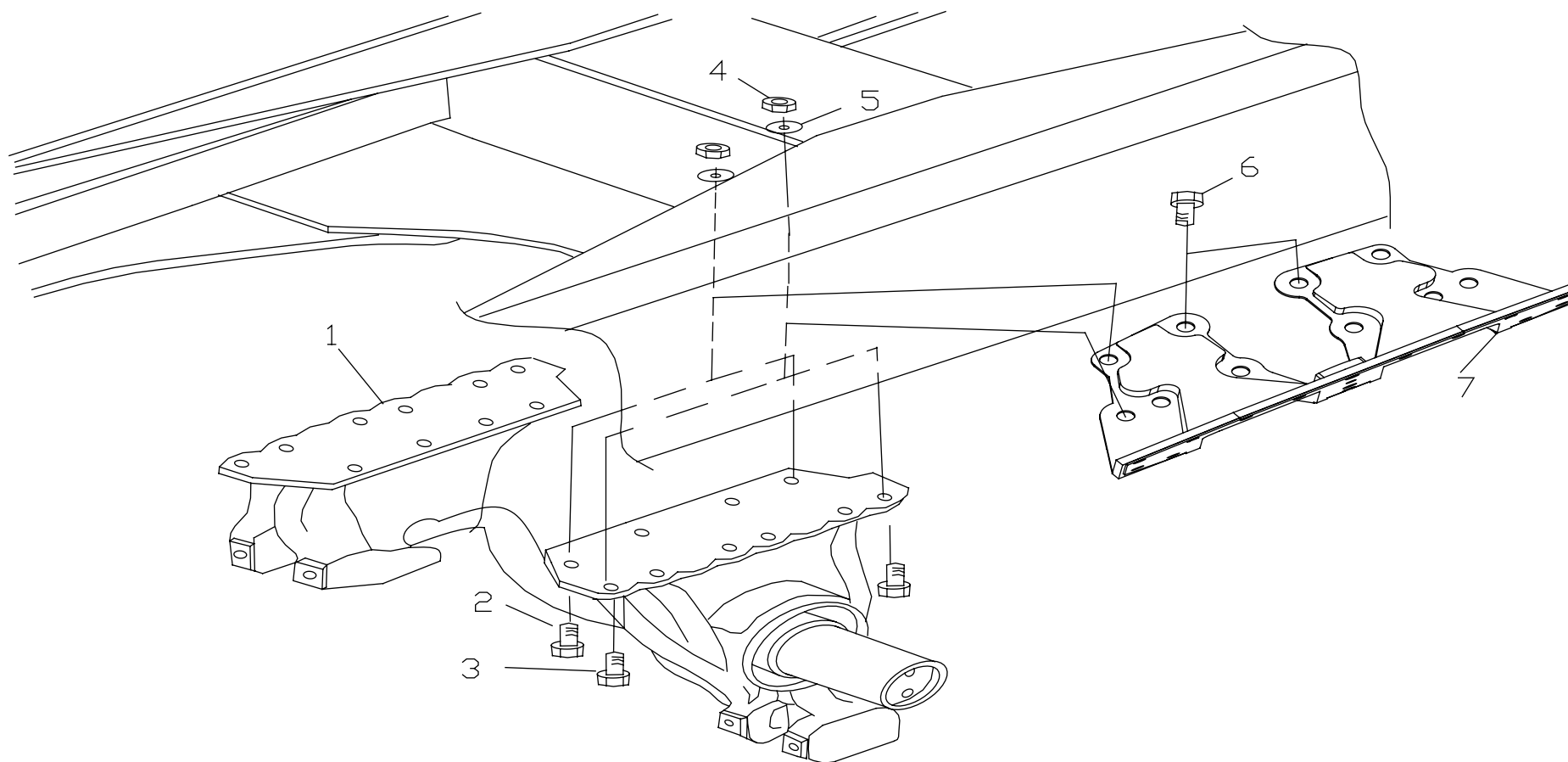
# 悬架系统 / SUSPENSION SYSTEM

29-26

| 序号<br>No. | 件号<br>Part No. | 数量<br>Quantity | 名称<br>Name                      | 规格<br>Specification | 适用产品<br>Products Applied | 备注<br>Remark             |
|-----------|----------------|----------------|---------------------------------|---------------------|--------------------------|--------------------------|
| 1         | 2918AD-010     | 1              | 平衡轴<br>Trunion Shaft            |                     |                          | 五十铃结构<br>ISUZU Structure |
| 2         | 29AD-18052     | 8              | 螺栓<br>Bolt                      |                     |                          |                          |
| 3         | 29AD-18051     | 20             | 螺栓<br>Bolt                      |                     |                          |                          |
| 4         | Q341B18T13F3   | 28             | 螺母<br>Nut                       |                     |                          |                          |
| 5         | Q41918         | 28             | 锥形弹性垫圈<br>Conical Spring Washer |                     |                          |                          |

## 平衡轴装置图 II / TRUNNION SHAFT II

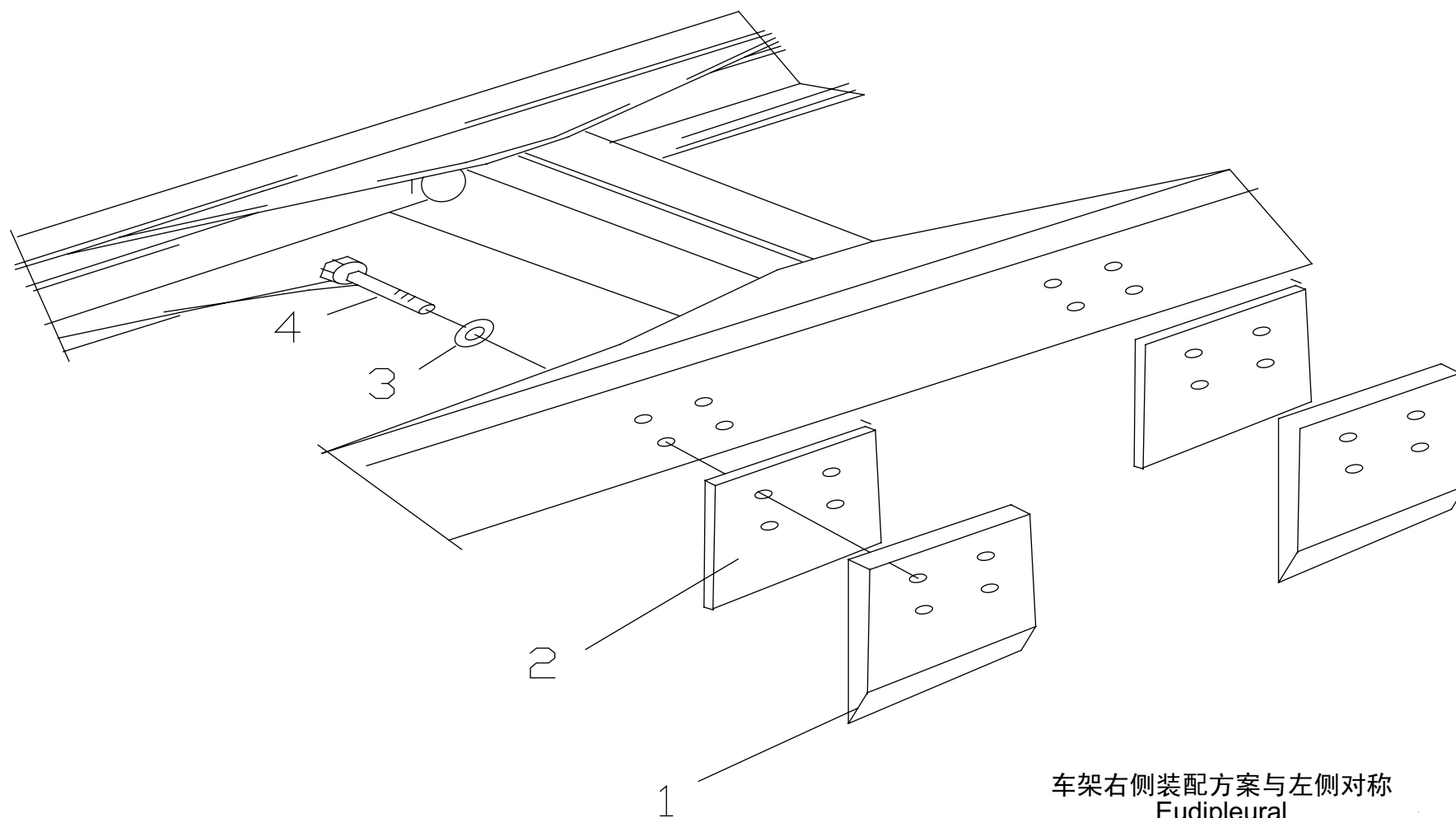
29-N



| 序号<br>No. | 件号<br>Part No. | 数量<br>Quantity | 名称<br>Name                      | 规格<br>Specification | 适用产品<br>Products Applied | 备注<br>Remark                              |
|-----------|----------------|----------------|---------------------------------|---------------------|--------------------------|---|
| 1         | 2918AHD-110    | 1              | 平衡轴<br>Trunnion Shaft           |                     |                          | 三菱加宽结构<br>MITSUBISHI<br>Widened Structure |
| 2         | 29AD-18052     | 4              | 螺栓<br>Bolt                      |                     |                          |   |
| 3         | 29AD-18051     | 12             | 螺栓<br>Bolt                      |                     |                          |   |
| 4         | Q341B18T13F3   | 16             | 螺母<br>Nut                       |                     |                          |   |
| 5         | Q41918         | 16             | 锥形弹性垫圈<br>Conical Spring Washer |                     |                          |   |
| 6         | Q150B1870      | 4              | 螺栓<br>Bolt                      |                     |                          |   |
| 7         | 29AD-18511     | 2              | 平衡轴支撑块<br>Trunnion Shaft Anchor |                     |                          |   |

## 板簧挡块装置图 I / LEAF SPRING STOPPER I

29-0



车架右侧装配方案与左侧对称  
Eudipleural

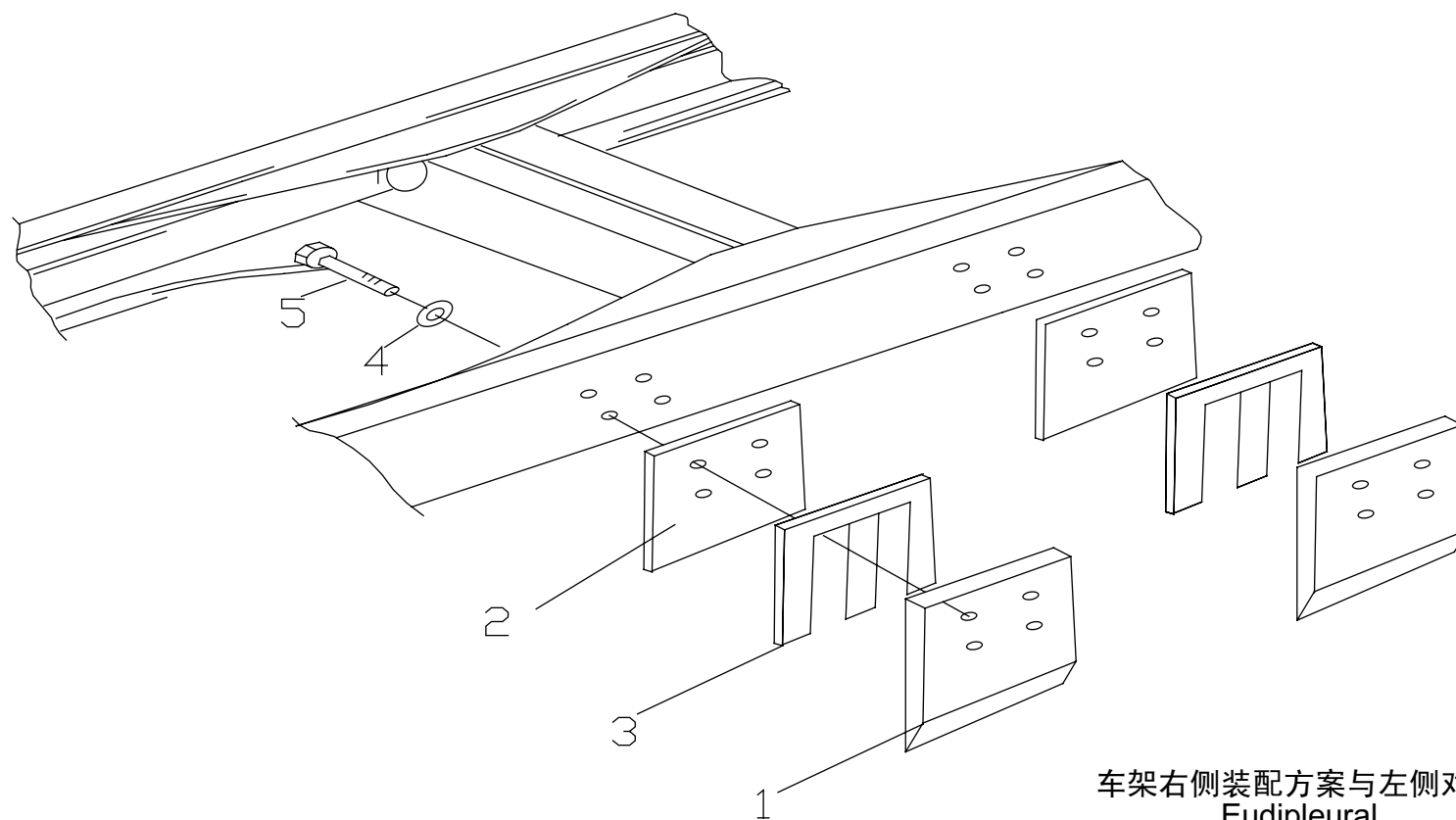
悬架系统 / SUSPENSION SYSTEM

29-30

| 序号<br>No. | 件号<br>Part No. | 数量<br>Quantity  | 名称<br>Name                     | 规格<br>Specification | 适用产品<br>Products Applied   | 备注<br>Remark |
|-----------|----------------|-----------------|--------------------------------|---------------------|--|--------------|
| 1         | 29AD-11021     | 4               | 挡块<br>Stopper                  |                     | 板簧中心距 1002mm 车型<br>Model W/Leaf Spring Centre Distance<br>1002mm |              |
| 2         | 29AD-11024     | 按需<br>On-Demand | 调整板 2mm<br>Adjusting Plate 2mm |                     |  |              |
|           | 29AD-11023     | 按需<br>On-Demand | 调整板 3mm<br>Adjusting Plate 3mm |                     |  |              |
| 3         | Q40314         | 16              | 弹簧垫圈<br>Spring Washer          |                     |  |              |
| 4         | Q151B1450      | 16              | 六角头螺栓<br>Hexagon Head Bolt     |                     |  |              |

## 板簧挡块装置图 II / LEAF SPRING STOPPER II

29-P



车架右侧装配方案与左侧对称  
Eudipleural

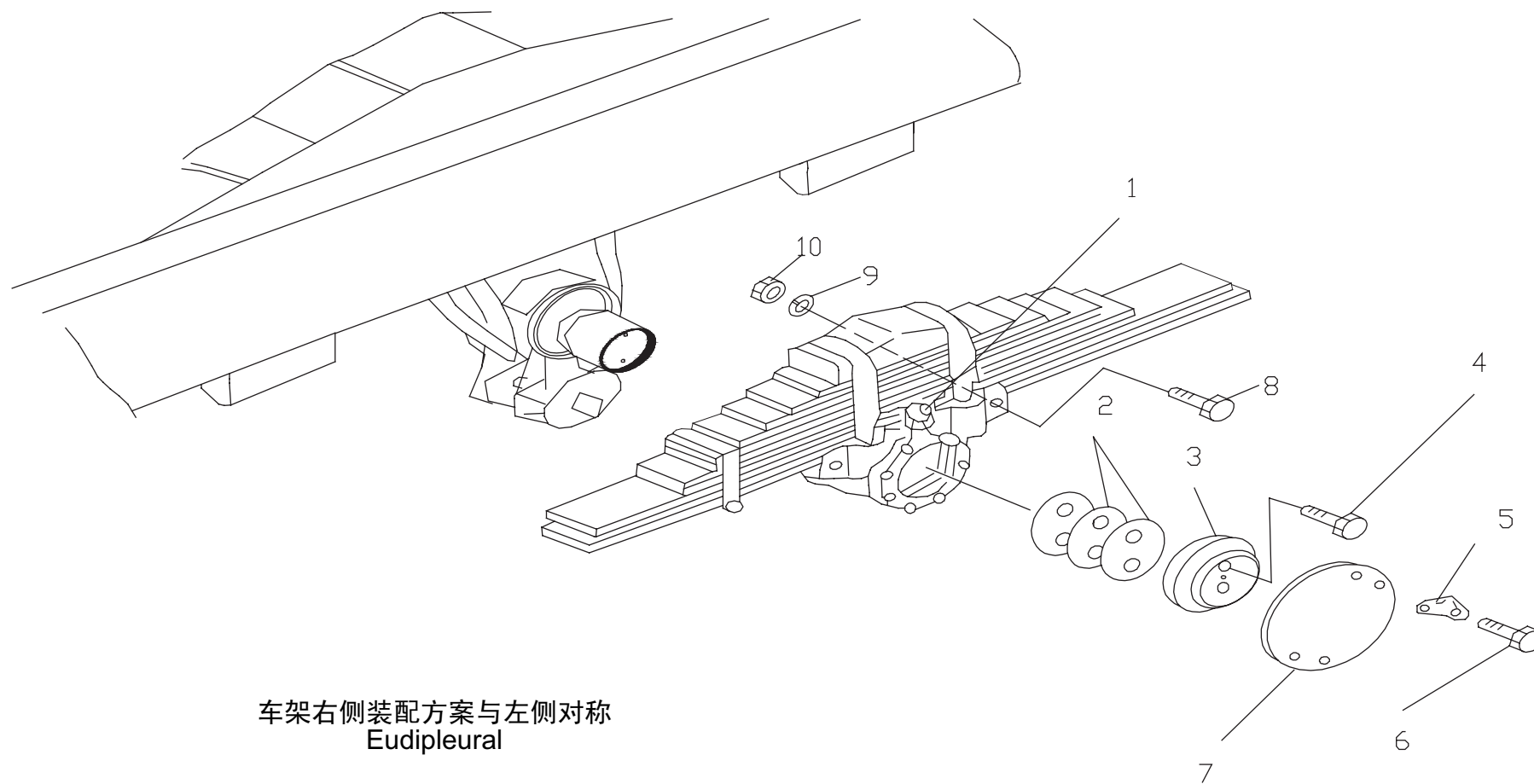
# 悬架系统 / SUSPENSION SYSTEM

29-32

| 序号<br>No. | 件号<br>Part No. | 数量<br>Quantity  | 名称<br>Name                     | 规格<br>Specification | 适用产品<br>Products Applied   | 备注<br>Remark |
|-----------|----------------|-----------------|--------------------------------|---------------------|--|--------------|
| 1         | 29AHD-11031    | 4               | 挡板<br>Baffle                   |                     | 板簧中心距 1040mm 车型<br>Model W/Leaf Spring Centre Distance<br>1040mm |              |
| 2         | 29AD-11024     | 按需<br>On-Demand | 调整板 2mm<br>Adjusting Plate 2mm |                     |  |              |
|           | 29AD-11023     | 按需<br>On-Demand | 调整板 3mm<br>Adjusting Plate 3mm |                     |  |              |
| 3         | 29AHD-11032    | 4               | 调整垫片<br>Adjusting Shim         |                     | 板簧中心距 1040mm 车型<br>Model W/Leaf Spring Centre Distance<br>1040mm |              |
| 4         | Q40314         | 16              | 弹簧垫圈<br>Spring Washer          |                     |  |              |
| 5         | Q151B1465      | 16              | 六角头螺栓<br>Hexagon Head Bolt     |                     |  |              |

## 后板簧装置图 I / REAR LEAF SPRING I

29-Q

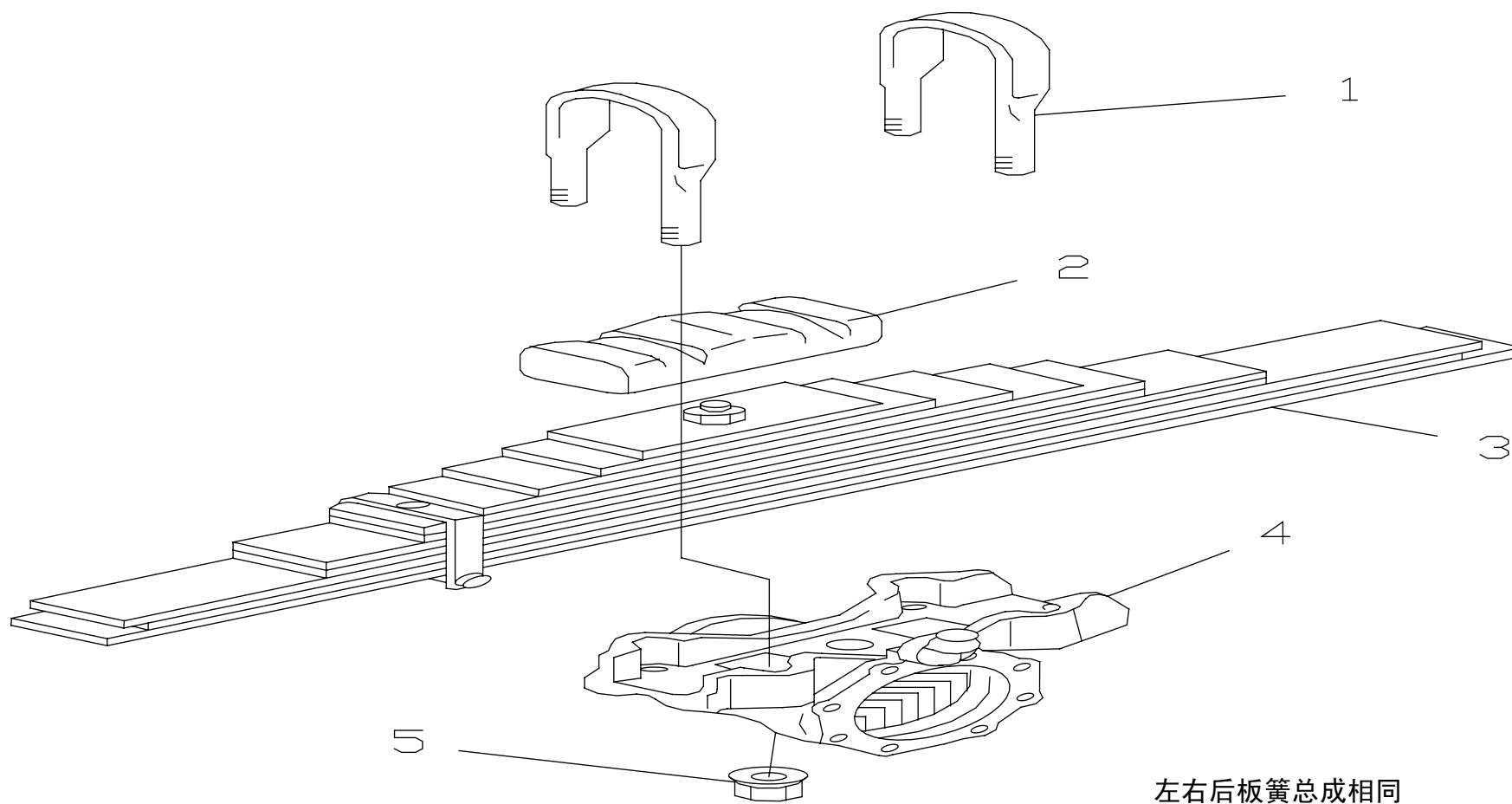




| 序号<br>No. | 件号<br>Part No.    | 数量<br>Quantity  | 名称<br>Name                       | 规格<br>Specification | 适用产品<br>Products Applied   | 备注<br>Remark                                  |
|-----------|-------------------|-----------------|----------------------------------|---------------------|--|---|
| 1         | Q700B01           | 2               | 直通式滑脂嘴<br>Straight Grease Nipple |                     | 中、后桥轴距 1310mm 车型<br>Model W/Model W/Wheel Base Between<br>Intermediate Axle And Rear Axle 1310mm | 五十铃结构平衡轴<br>ISUZU Structure<br>Trunnion Shaft |
| 2         | 29AD-18138(0.5mm) | 按需<br>On-Demand | 垫片<br>Shim                       |                     | 中、后桥轴距 1310mm 车型<br>Model W/Model W/Wheel Base Between<br>Intermediate Axle And Rear Axle 1310mm | 五十铃结构平衡轴<br>ISUZU Structure<br>Trunnion Shaft |
|           | 29AD-18137 (1mm)  | 按需<br>On-Demand | 垫片<br>Shim                       |                     | 中、后桥轴距 1310mm 车型<br>Model W/Model W/Wheel Base Between<br>Intermediate Axle And Rear Axle 1310mm | 五十铃结构平衡轴<br>ISUZU Structure<br>Trunnion Shaft |
| 3         | 29AD-18143        | 2               | 外止推板<br>Outer Thrust Plate       |                     | 中、后桥轴距 1310mm 车型<br>Model W/Model W/Wheel Base Between<br>Intermediate Axle And Rear Axle 1310mm | 五十铃结构平衡轴<br>ISUZU Structure<br>Trunnion Shaft |
| 4         | 29AD-18147        | 4               | 螺栓<br>Bolt                       |                     | 中、后桥轴距 1310mm 车型<br>Model W/Model W/Wheel Base Between<br>Intermediate Axle And Rear Axle 1310mm | 五十铃结构平衡轴<br>ISUZU Structure<br>Trunnion Shaft |
| 5         | 29AD-18144        | 4               | 压板<br>Press Plate                |                     | 中、后桥轴距 1310mm 车型<br>Model W/Model W/Wheel Base Between<br>Intermediate Axle And Rear Axle 1310mm | 五十铃结构平衡轴<br>ISUZU Structure<br>Trunnion Shaft |
| 6         | Q150B0820         | 8               | 螺栓<br>Bolt                       |                     | 中、后桥轴距 1310mm 车型<br>Model W/Model W/Wheel Base Between<br>Intermediate Axle And Rear Axle 1310mm | 五十铃结构平衡轴<br>ISUZU Structure<br>Trunnion Shaft |
| 7         | 29AD-18020        | 2               | 轴承盖<br>Bearing Cover             |                     | 中、后桥轴距 1310mm 车型<br>Model W/Model W/Wheel Base Between<br>Intermediate Axle And Rear Axle 1310mm | 五十铃结构平衡轴<br>ISUZU Structure<br>Trunnion Shaft |
| 8         | 29AD-18083        | 4               | 六角螺栓<br>Hexagon Bolt             |                     | 中、后桥轴距 1310mm 车型<br>Model W/Model W/Wheel Base Between<br>Intermediate Axle And Rear Axle 1310mm | 五十铃结构平衡轴<br>ISUZU Structure<br>Trunnion Shaft |
| 9         | Q40522            | 4               | 弹簧垫圈<br>Spring Washer            |                     | 中、后桥轴距 1310mm 车型<br>Model W/Model W/Wheel Base Between<br>Intermediate Axle And Rear Axle 1310mm | 五十铃结构平衡轴<br>ISUZU Structure<br>Trunnion Shaft |
| 10        | Q341B22           | 4               | I 型六角螺母<br>Hexagon Full Nut      |                     | 中、后桥轴距 1310mm 车型<br>Model W/Model W/Wheel Base Between<br>Intermediate Axle And Rear Axle 1310mm | 五十铃结构平衡轴<br>ISUZU Structure<br>Trunnion Shaft |

## 后板簧装置图 II / REAR LEAF SPRING II

29-R



左右后板簧总成相同  
Left And Right Rear Leaf Spring Assembly Are The Same

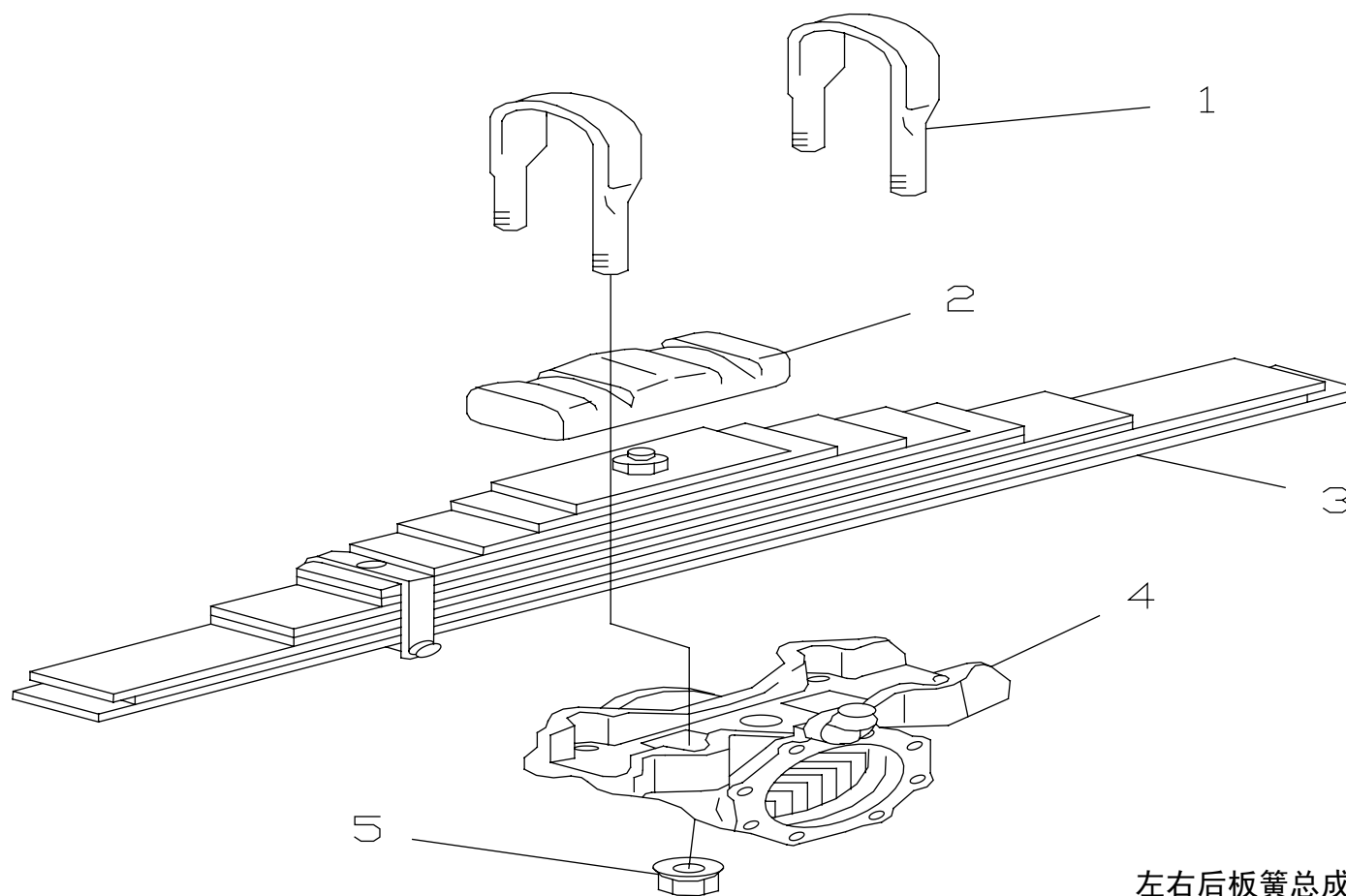
# 悬架系统 / SUSPENSION SYSTEM

29-36

| 序号<br>No. | 件号<br>Part No. | 数量<br>Quantity | 名称<br>Name                         | 规格<br>Specification | 适用产品<br>Products Applied   | 备注<br>Remark                                  |
|-----------|----------------|----------------|------------------------------------|---------------------|--|---|
| 1         | 29AD-12014     | 4              | U型螺栓<br>U-Bolt                     |                     | 中、后桥轴距 1310mm 车型<br>Model W/Model W/Wheel Base Between<br>Intermediate Axle And Rear Axle 1310mm | 五十铃结构平衡轴<br>ISUZU Structure<br>Trunnion Shaft |
| 2         | 29AD-12111     | 2              | 上盖板<br>Top Panel                   |                     | 中、后桥轴距 1310mm 车型<br>Model W/Model W/Wheel Base Between<br>Intermediate Axle And Rear Axle 1310mm | 五十铃结构平衡轴<br>ISUZU Structure<br>Trunnion Shaft |
| 3         | 29AD-12010     | 2              | 后板簧总成<br>Rear Leaf Spring Assembly |                     | 中、后桥轴距 1310mm 车型<br>Model W/Model W/Wheel Base Between<br>Intermediate Axle And Rear Axle 1310mm | 五十铃结构平衡轴<br>ISUZU Structure<br>Trunnion Shaft |
| 4         | 29AD-18113     | 2              | 轴承衬套<br>Bearing Bushing            |                     | 中、后桥轴距 1310mm 车型<br>Model W/Model W/Wheel Base Between<br>Intermediate Axle And Rear Axle 1310mm | 五十铃结构平衡轴<br>ISUZU Structure<br>Trunnion Shaft |
| 5         | 29AD-12015     | 8              | 螺母<br>Nut                          |                     |  |   |

## 后板簧装置图III / REAR LEAF SPRING III

29-S

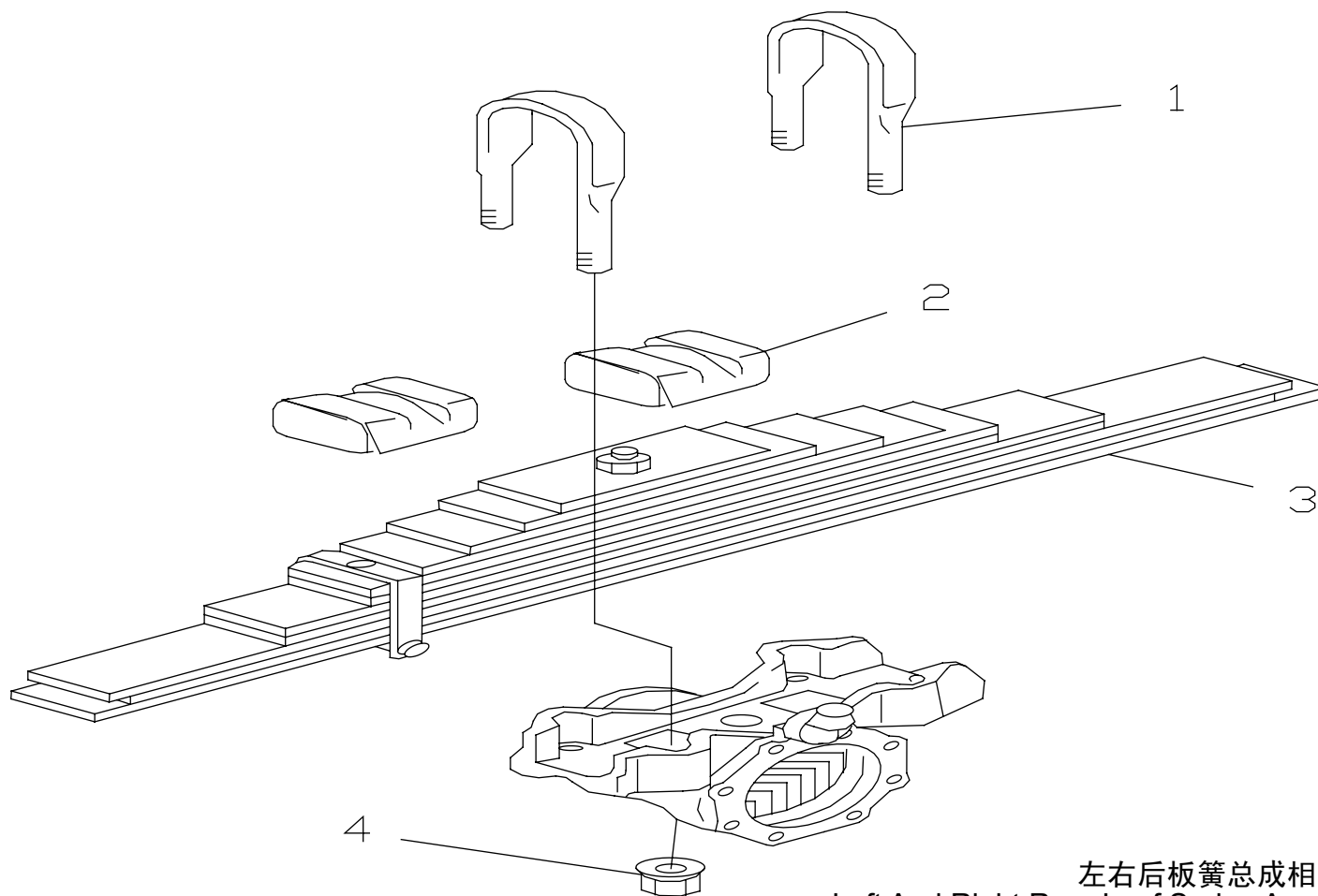


左右后板簧总成相同  
Left And Right Rear Leaf Spring Assembly Are The Same

| 序号<br>No. | 件号<br>Part No. | 数量<br>Quantity | 名称<br>Name                         | 规格<br>Specification | 适用产品<br>Products Applied   | 备注<br>Remark                                  |
|-----------|----------------|----------------|------------------------------------|---------------------|--|---|
| 1         | 29A6DZ-12014   | 4              | U型螺栓<br>U-Bolt                     |                     | 中、后桥轴距 1310mm 车型<br>Model W/Model W/Wheel Base Between<br>Intermediate Axle And Rear Axle 1310mm | 五十铃结构平衡轴<br>ISUZU Structure<br>Trunnion Shaft |
| 2         | 29AD-12111     | 2              | 上盖板<br>Top Panel                   |                     | 中、后桥轴距 1310mm 车型<br>Model W/Model W/Wheel Base Between<br>Intermediate Axle And Rear Axle 1310mm | 五十铃结构平衡轴<br>ISUZU Structure<br>Trunnion Shaft |
| 3         | 29A6DZ-12010   | 2              | 后板簧总成<br>Rear Leaf Spring Assembly |                     | 中、后桥轴距 1310mm 车型<br>Model W/Model W/Wheel Base Between<br>Intermediate Axle And Rear Axle 1310mm | 五十铃结构平衡轴<br>ISUZU Structure<br>Trunnion Shaft |
| 4         | 29AD-18113     | 2              | 轴承衬套<br>Bearing Bushing            |                     | 中、后桥轴距 1310mm 车型<br>Model W/Model W/Wheel Base Between<br>Intermediate Axle And Rear Axle 1310mm | 五十铃结构平衡轴<br>ISUZU Structure<br>Trunnion Shaft |
| 5         | 29AD-12015     | 8              | 螺母<br>Nut                          |                     | 中、后桥轴距 1310mm 车型<br>Model W/Model W/Wheel Base Between<br>Intermediate Axle And Rear Axle 1310mm | 五十铃结构平衡轴<br>ISUZU Structure<br>Trunnion Shaft |

## 后板簧装置图IV / REAR LEAF SPRING IV

29-T

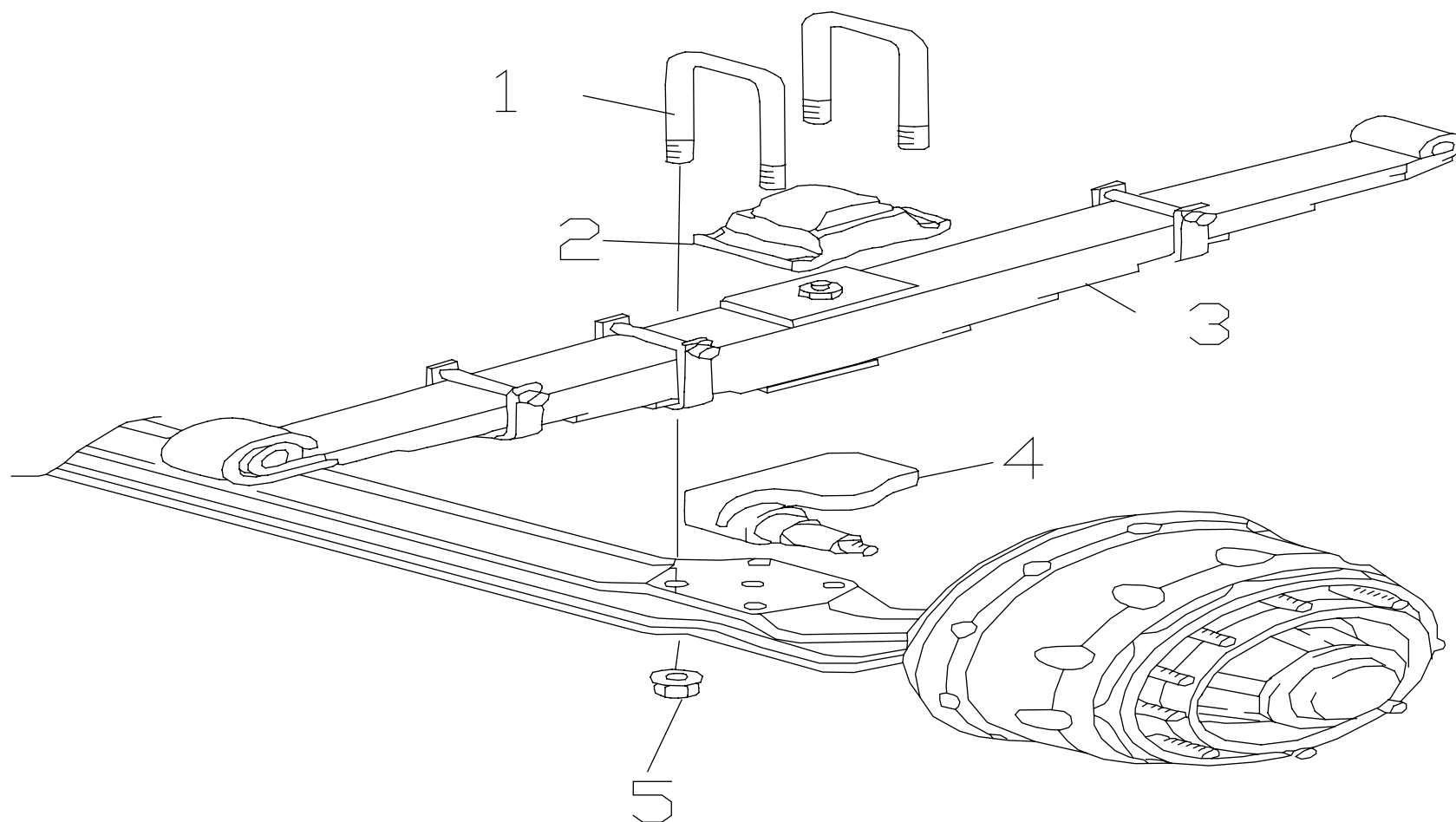


左右后板簧总成相同  
Left And Right Rear Leaf Spring Assembly Are The Same

| 序号<br>No. | 件号<br>Part No. | 数量<br>Quantity | 名称<br>Name                         | 规格<br>Specification | 适用产品<br>Products Applied   | 备注<br>Remark   |
|-----------|----------------|----------------|------------------------------------|---------------------|--|--|
| 1         | 29AHD-12014    | 4              | U型螺栓<br>U-Bolt                     | M27X3X525           | 中、后桥轴距 1350mm 车型<br>Model W/Model W/Wheel Base Between<br>Intermediate Axle And Rear Axle 1350mm | 三菱加宽结构平衡轴<br>MITSUBISHI<br>Widened Structure<br>Trunnion Shaft |
| 2         | 29AD-12051     | 4              | 上盖板<br>Top Panel                   |                     | 中、后桥轴距 1350mm 车型<br>Model W/Model W/Wheel Base Between<br>Intermediate Axle And Rear Axle 1350mm | 三菱加宽结构平衡轴<br>MITSUBISHI<br>Widened Structure<br>Trunnion Shaft |
| 3         | 29AHD-12010    | 2              | 后板簧总成<br>Rear Leaf Spring Assembly |                     | 中、后桥轴距 1350mm 车型<br>Model W/Model W/Wheel Base Between<br>Intermediate Axle And Rear Axle 1350mm | 三菱加宽结构平衡轴<br>MITSUBISHI<br>Widened Structure<br>Trunnion Shaft |
| 4         | 29AD-12015     | 8              | 螺母<br>Nut                          |                     |  |  |

## 前板簧装置图 I / FRONT LEAF SPRING I

29-U





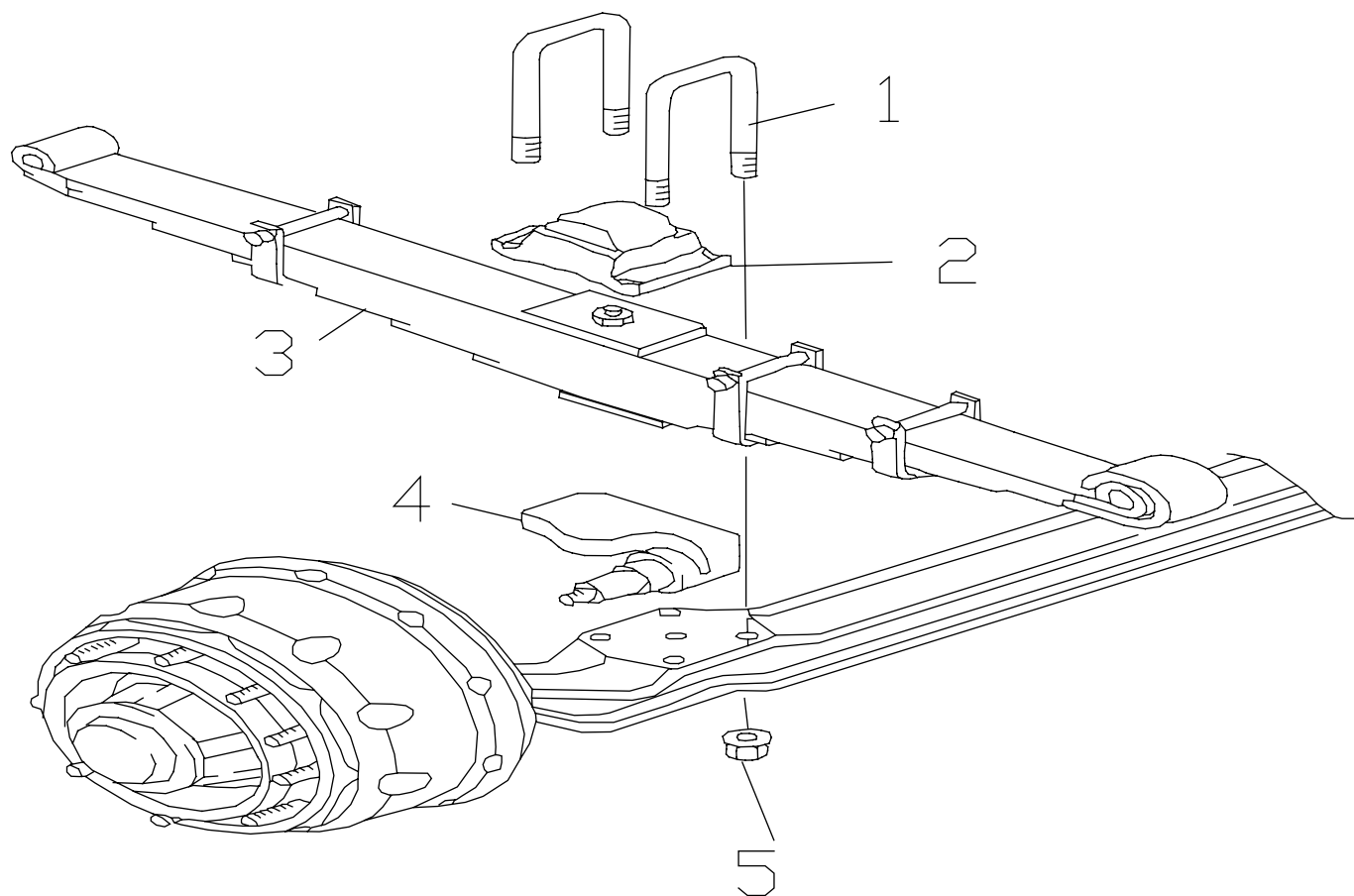
# 悬架系统 / SUSPENSION SYSTEM

29-42

| 序号<br>No. | 件号<br>Part No. | 数量<br>Quantity | 名称<br>Name                                 | 规格<br>Specification | 适用产品<br>Products Applied | 备注<br>Remark |
|-----------|----------------|----------------|--|---------------------|--------------------------|--------------|
| 1         | 29AD-02041     | 2              | U型螺栓<br>U-Bolt                             |                     |                          |              |
| 2         | 29AD-20010     | 1              | 限位块<br>Limiting Stopper                    |                     |                          |              |
| 3         | 29AD-02010     | 1              | 前板簧总成<br>Front Leaf Spring Assembly        |                     |                          |              |
| 4         | 29AD-05123     | 1              | 减震器左下托架<br>Shock Absorber Lower Bracket LH |                     |                          |              |
| 5         | Q363B20        | 4              | 螺母<br>Nut                                  |                     |                          |              |

## 前板簧装置图 II / FRONT LEAF SPRING II

29-V



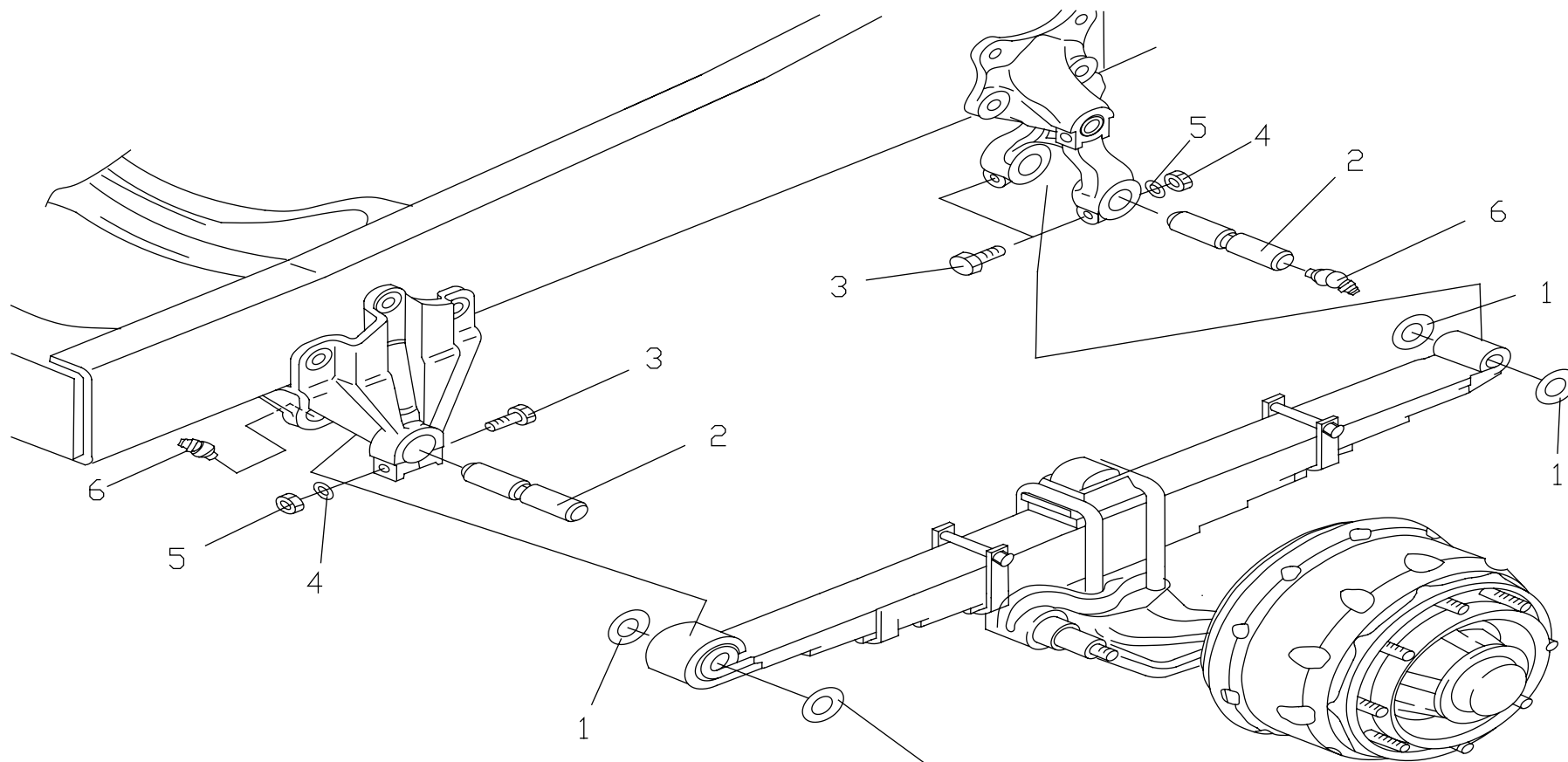
悬架系统 / SUSPENSION SYSTEM

29-44

| 序号<br>No. | 件号<br>Part No. | 数量<br>Quantity | 名称<br>Name                                 | 规格<br>Specification | 适用产品<br>Products Applied | 备注<br>Remark |
|-----------|----------------|----------------|--|---------------------|--------------------------|--------------|
| 1         | 29AD-02041     | 2              | U型螺栓<br>U-Bolt                             |                     |                          |              |
| 2         | 29AD-20010     | 1              | 限位块<br>Limiting Stopper                    |                     |                          |              |
| 3         | 29AD-02010     | 1              | 前板簧总成<br>Front Leaf Spring Assembly        |                     |                          |              |
| 4         | 29AD-05124     | 1              | 减震器右下托架<br>Shock Absorber Lower Bracket RH |                     |                          |              |
| 5         | Q363B20        | 4              | 螺母<br>Nut                                  |                     |                          |              |

## 前板簧装置图III / FRONT LEAF SPRING III

29-W



车架右侧装配方案与左侧对称  
Eudipleural

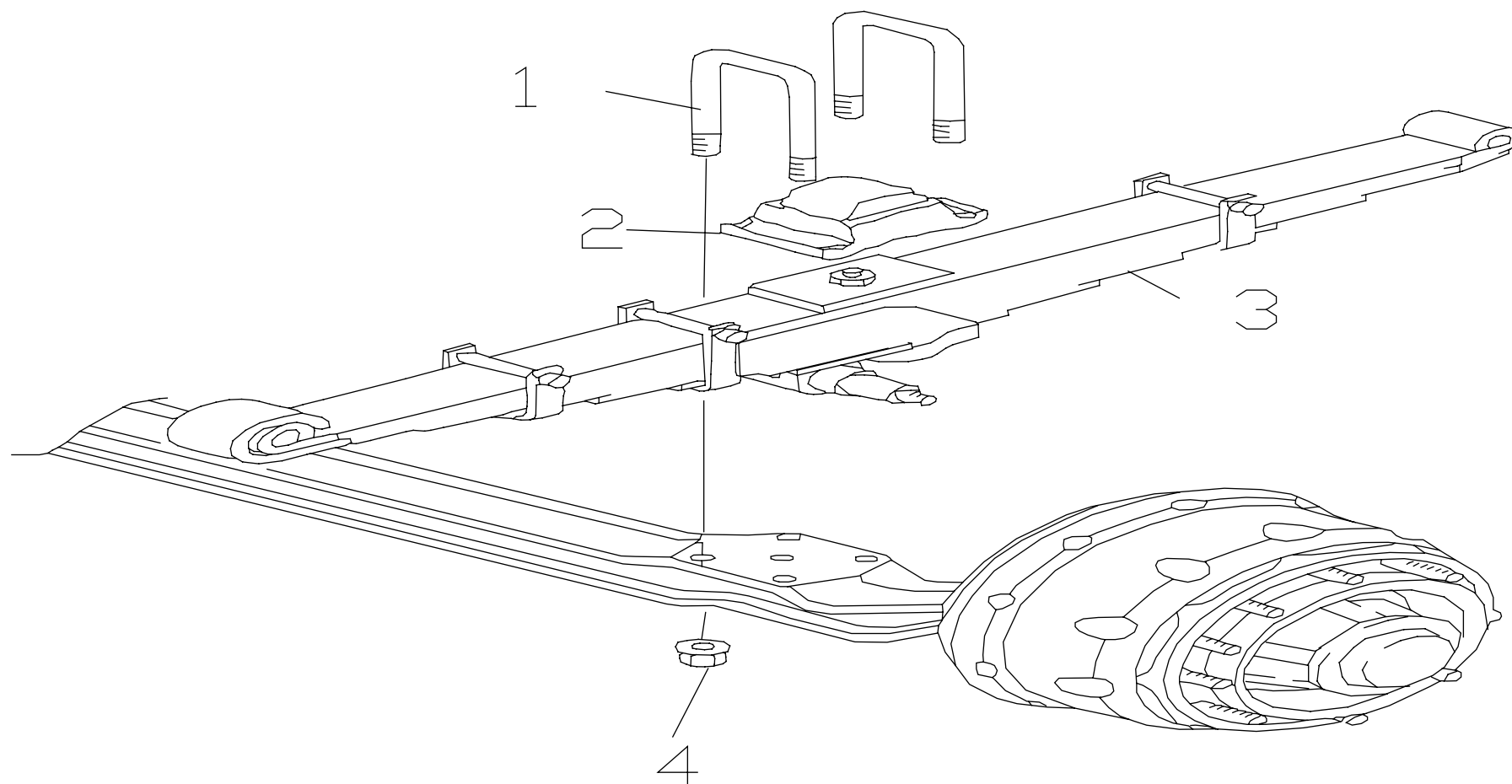
悬架系统 / SUSPENSION SYSTEM

29-46

| 序号<br>No. | 件号<br>Part No. | 数量<br>Quantity | 名称<br>Name                    | 规格<br>Specification | 适用产品<br>Products Applied | 备注<br>Remark |
|-----------|----------------|----------------|-------------------------------|---------------------|--------------------------|--------------|
| 1         | 29AD-02037     | 8              | 垫圈<br>Washer                  |                     |                          |              |
| 2         | 29AD-01021     | 4              | 钢板弹簧销<br>Leaf Spring Pin      |                     |                          |              |
| 3         | 29AD-01061     | 6              | 六角螺栓<br>Hexagon Bolt          |                     |                          |              |
| 4         | Q40512         | 6              | 弹簧垫圈<br>Spring Washer         |                     |                          |              |
| 5         | Q341C12T13F3   | 6              | 六角螺母<br>Hexagon Nut           |                     |                          |              |
| 6         | Q701B45        | 4              | 弯颈式滑脂嘴<br>Elbow Grease Nipple |                     |                          |              |

## 四桥车前板簧装置图 I / 4-AXLE VEHICLE FRONT LEAF SPRING I

29-X



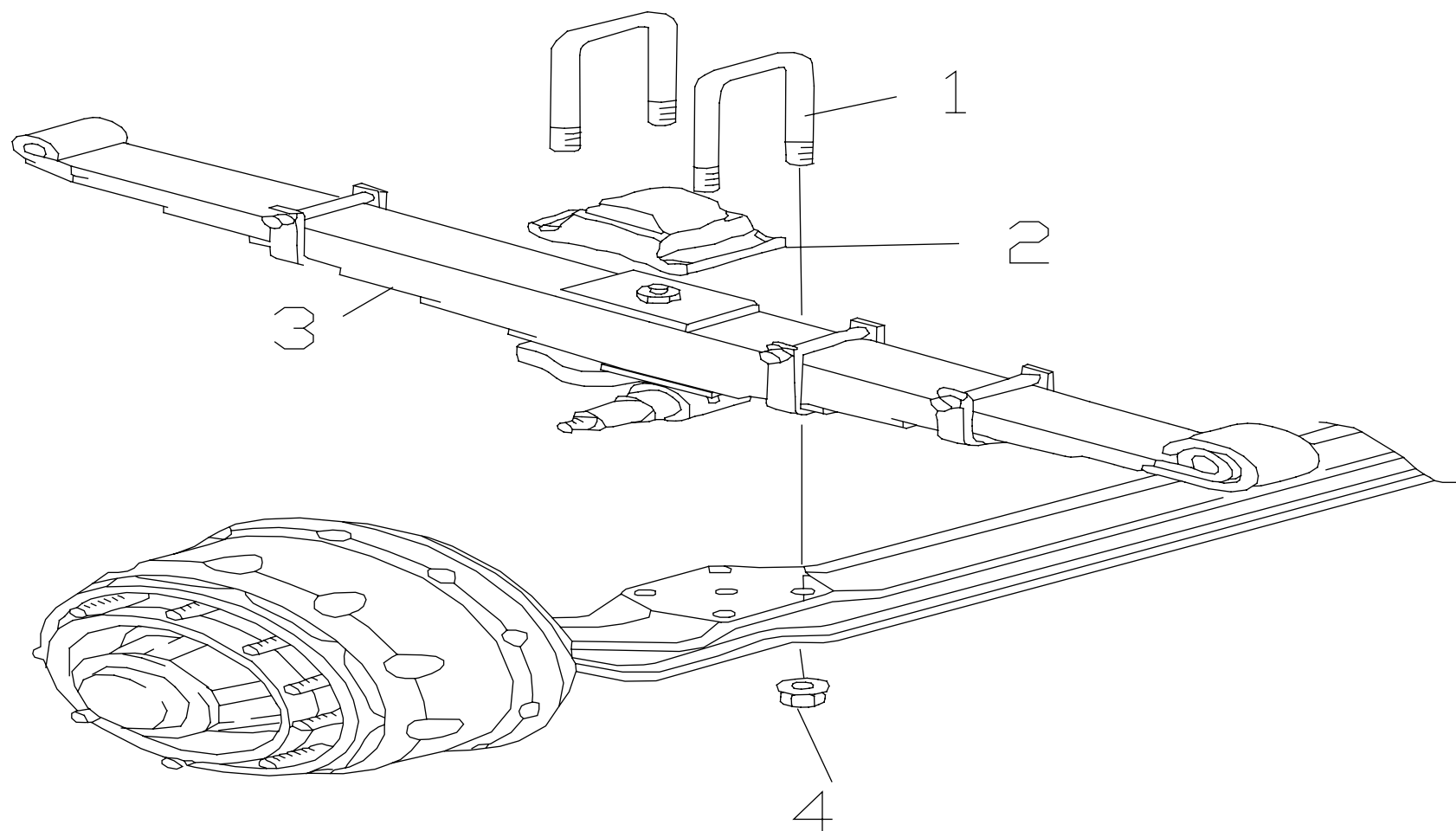
# 悬架系统 / SUSPENSION SYSTEM

29-48

| 序号<br>No. | 件号<br>Part No. | 数量<br>Quantity | 名称<br>Name                              | 规格<br>Specification | 适用产品<br>Products Applied | 备注<br>Remark |
|-----------|----------------|----------------|---|---------------------|--------------------------|--------------|
| 1         | 29AD-02041     | 4              | U型螺栓<br>U-Bolt                          |                     |                          |              |
| 2         | 29AD-20010     | 2              | 限位块<br>Limiting Stopper                 |                     |                          |              |
| 3         | 29ADP5-02010   | 1              | 左前板簧总成<br>Front Leaf Spring Assembly LH |                     |                          |              |
|           | 29ADP5-02030   | 1              | 左后板簧总成<br>Rear Leaf Spring Assembly LH  |                     |                          |              |
|           | 29ADP5-02010-T | 1              | 左前板簧总成<br>Front Leaf Spring Assembly LH |                     | 右驾车型<br>RHD              |              |
| 4         | Q363B20        | 8              | 螺母<br>Nut                               |                     |                          |              |

## 四桥车前板簧装置图 II / 4-AXLE VEHICLE FRONT LEAF SPRING II

29-Y





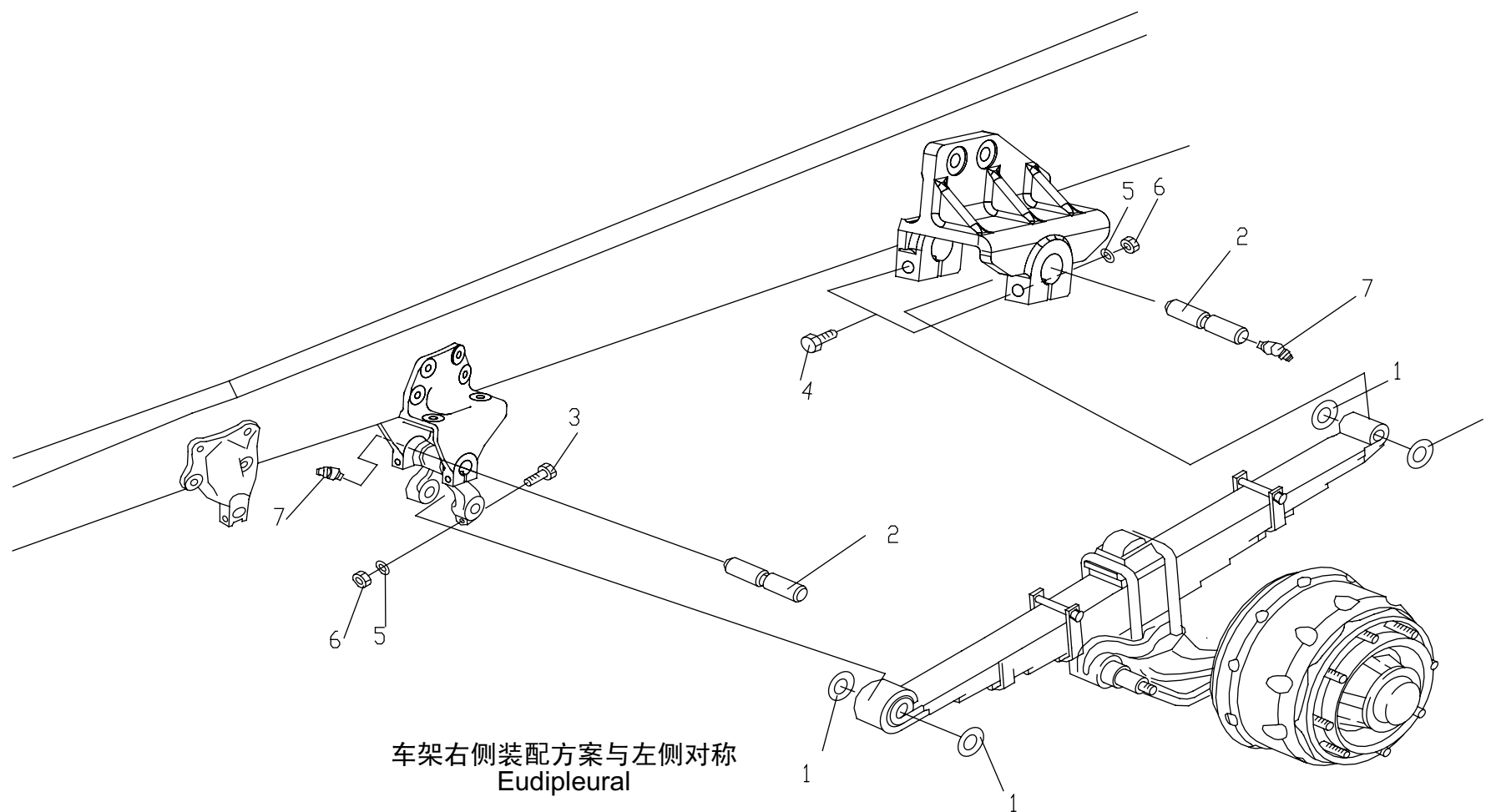
# 悬架系统 / SUSPENSION SYSTEM

29-50

| 序号<br>No. | 件号<br>Part No. | 数量<br>Quantity | 名称<br>Name                              | 规格<br>Specification | 适用产品<br>Products Applied | 备注<br>Remark |
|-----------|----------------|----------------|---|---------------------|--------------------------|--------------|
| 1         | 29AD-02041     | 4              | U型螺栓<br>U-Bolt                          |                     |                          |              |
| 2         | 29AD-20010     | 2              | 限位块<br>Limiting Stopper                 |                     |                          |              |
| 3         | 29ADP5-02020   | 1              | 右前板簧总成<br>Front Leaf Spring Assembly RH |                     |                          |              |
|           | 29ADP5-02040   | 1              | 右后板簧总成<br>Rear Leaf Spring Assembly RH  |                     |                          |              |
|           | 29ADP5-02020-T | 1              | 右前板簧总成<br>Front Leaf Spring Assembly RH |                     | 右驾车型<br>RHD              |              |
| 4         | Q363B20        | 8              | 螺母<br>Nut                               |                     |                          |              |

## 四桥车前板簧装置图III / 4-AXLE VEHICLE FRONT LEAF SPRING III

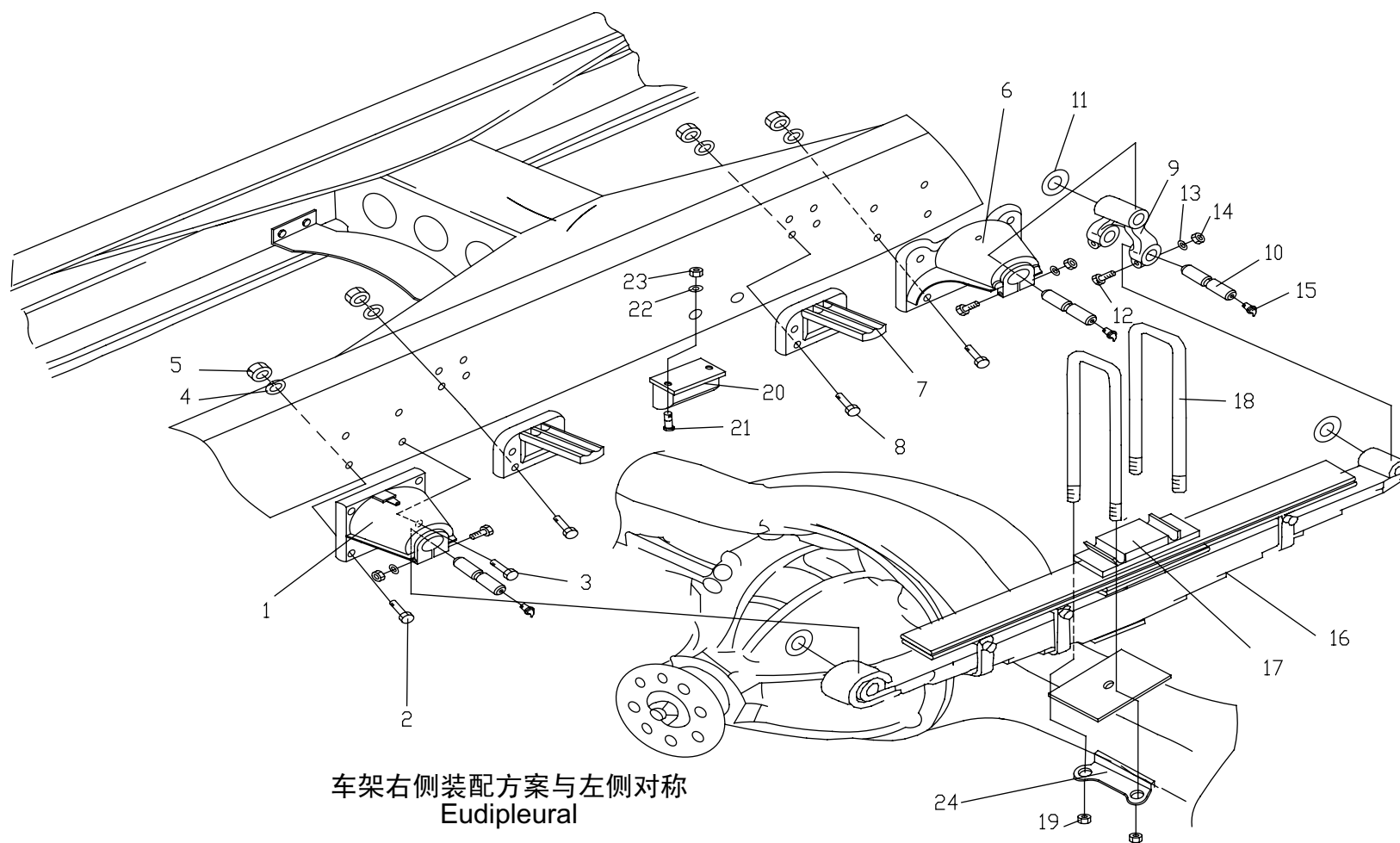
29-Z



| 序号<br>No. | 件号<br>Part No. | 数量<br>Quantity | 名称<br>Name                    | 规格<br>Specification | 适用产品<br>Products Applied | 备注<br>Remark |
|-----------|----------------|----------------|-------------------------------|---------------------|--------------------------|--------------|
| 1         | 29AD-02037     | 8              | 垫圈<br>Washer                  |                     |                          |              |
| 2         | 29AD-01021     | 4              | 钢板弹簧销<br>Leaf Spring Pin      |                     |                          |              |
| 3         | 29ADQ1-01051   | 2              | 六角螺栓<br>Hexagon Bolt          |                     |                          |              |
| 4         | 29AD-01061     | 4              | 六角螺栓<br>Hexagon Bolt          |                     |                          |              |
| 5         | Q40512         | 6              | 弹簧垫圈<br>Spring Washer         |                     |                          |              |
| 6         | Q341B14T13F3   | 6              | 六角螺母<br>Hexagon Nut           |                     |                          |              |
| 7         | Q701B45        | 4              | 弯颈式滑脂嘴<br>Elbow Grease Nipple |                     |                          |              |

## 单桥后悬架装置图 / SINGLE AXLE REAR SUSPENSION

29-AA



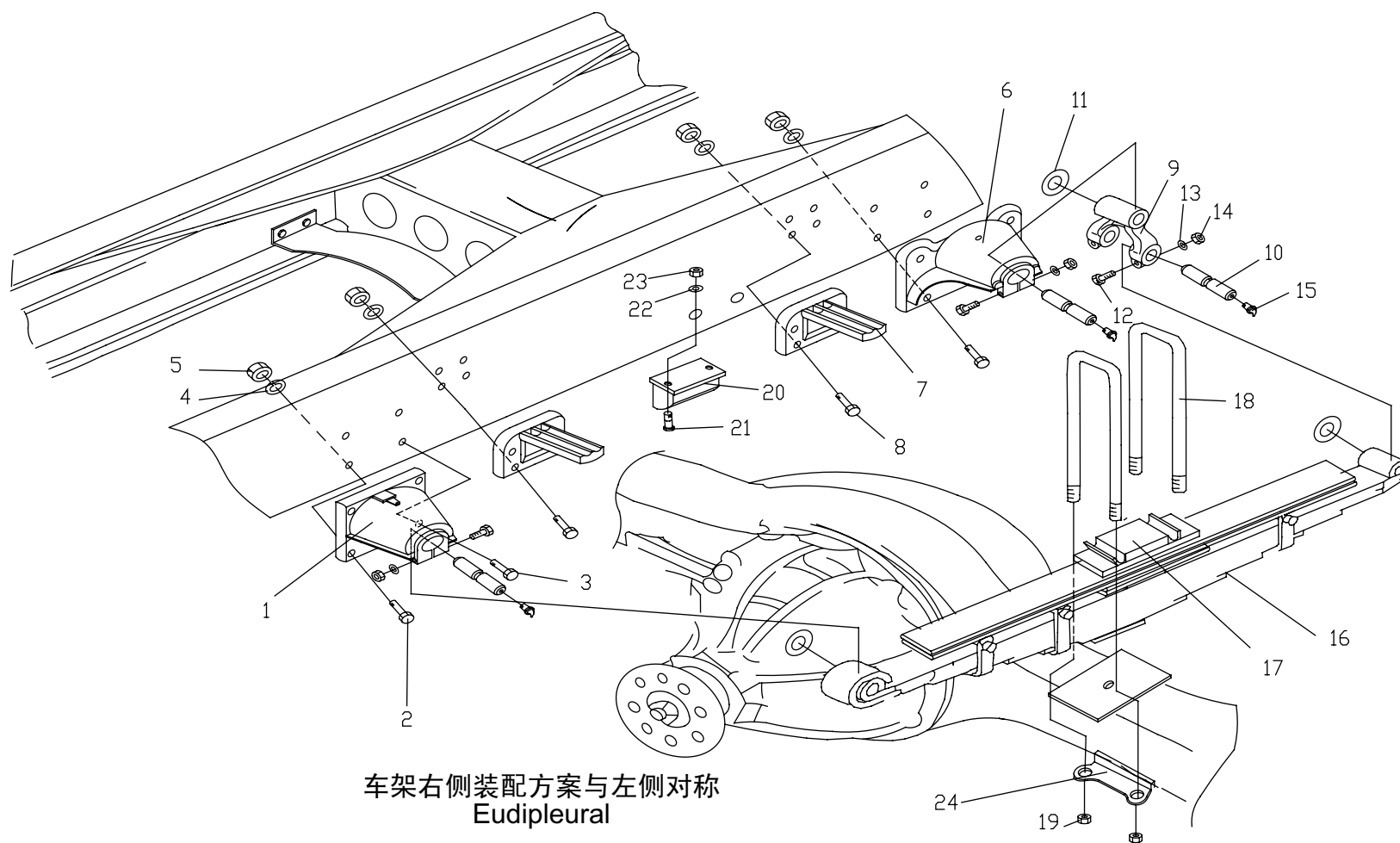
悬架系统 / SUSPENSION SYSTEM

29-54

| 序号<br>No. | 件号<br>Part No. | 数量<br>Quantity | 名称<br>Name                                     | 规格<br>Specification | 适用产品<br>Products Applied | 备注<br>Remark |
|-----------|----------------|----------------|--|---------------------|--------------------------|--------------|
| 1         | 29A4DQ1-11011  | 2              | 后板簧前吊耳座<br>Rear Leaf Spring Front Shackle Seat |                     |                          |              |
| 2         | 29A4DQ1-11017  | 14             | 六角螺栓<br>Hexagon Bolt                           |                     |                          |              |
| 3         | 29A4DQ1-11018  | 2              | 六角螺栓<br>Hexagon Bolt                           |                     |                          |              |
| 4         | Q40514         | 32             | 弹簧垫圈<br>Spring Washer                          |                     |                          |              |
| 5         | Q341B14 T13F3  | 32             | 六角螺母<br>Hexagon Nut                            |                     |                          |              |
| 6         | 29A4DQ1-11031  | 2              | 后板簧后吊耳座<br>Rear Leaf Spring Rear Shackle Seat  |                     |                          |              |
| 7         | 29A4DQ1-11061  | 4              | 副板簧挡板<br>Sub Leaf Spring Baffle                |                     |                          |              |
| 8         | 29AD-01213     | 16             | 六角螺栓<br>Hexagon Bolt                           |                     |                          |              |
| 9         | 29A4DQ1-01020  | 2              | 吊耳总成<br>Shackle Assembly                       |                     |                          |              |
| 10        | 29A4DQ1-11021  | 6              | 板簧销<br>Leaf Spring Pin                         |                     |                          |              |
| 11        | 29A4DQ1-02037  | 6              | 垫圈<br>Washer                                   |                     |                          |              |
| 12        | 29AD-01061     | 6              | 六角螺栓<br>Hexagon Bolt                           |                     |                          |              |
| 13        | Q40512         | 6              | 弹簧垫圈<br>Spring Washer                          |                     |                          |              |
| 14        | Q341C12 T13F3  | 6              | 六角螺母<br>Hexagon Nut                            |                     |                          |              |

## 单桥后悬架装置图 / SINGLE AXLE REAR SUSPENSION

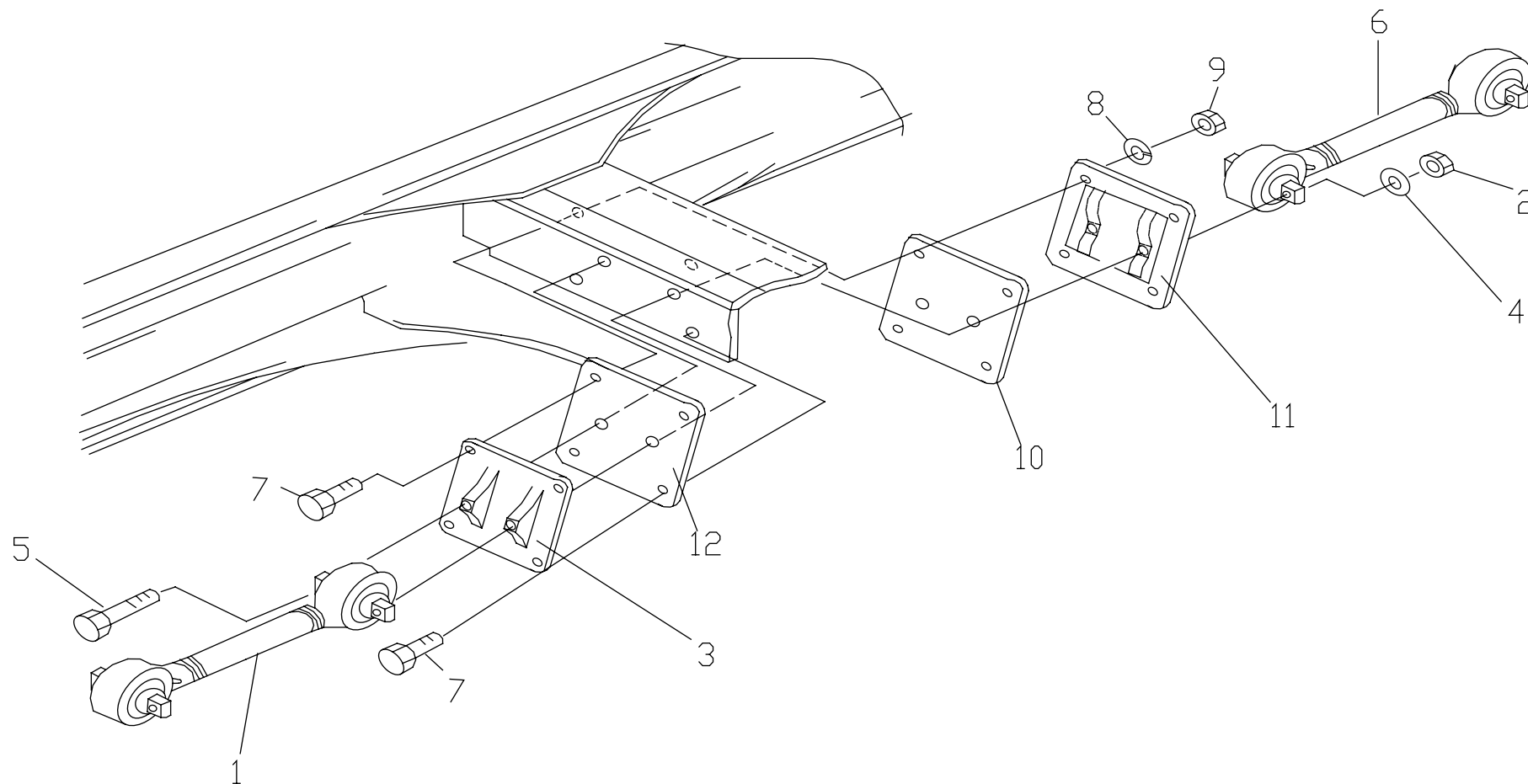
29-AA



| 序号<br>No. | 件号<br>Part No. | 数量<br>Quantity | 名称<br>Name                         | 规格<br>Specification | 适用产品<br>Products Applied | 备注<br>Remark |
|-----------|----------------|----------------|------------------------------------|---------------------|--------------------------|--------------|
| 15        | Q701B45        | 6              | 弯颈式滑脂嘴<br>Elbow Grease Nipple      |                     |                          |              |
| 16        | 29A4DQ1-12010  | 2              | 后板簧总成<br>Rear Leaf Spring Assembly |                     |                          |              |
| 17        | 29A4DQ1-12115  | 2              | 上盖板总成<br>Top Panel Assembly        |                     |                          |              |
| 18        | 29A4DQ1-12014  | 4              | U型螺栓<br>U-Bolt                     |                     |                          |              |
| 19        | 29AD-12015     | 8              | 螺母<br>Nut                          |                     |                          |              |
| 20        | 29AD-20130     | 2              | 限位块总成<br>Limiting Stopper Assembly |                     |                          |              |
| 21        | Q151B1240      | 4              | 六角螺栓<br>Hexagon Bolt               |                     |                          |              |
| 22        | Q40512         | 4              | 弹性垫圈<br>Spring Washer              |                     |                          |              |
| 23        | Q341B12        | 4              | 六角螺母<br>Hexagon Nut                |                     |                          |              |
| 24        | 29A4DQ1-12021  | 2              | U型螺栓固定支架<br>U-Bolt Fixed Bracket   |                     |                          |              |

## 推力杆装置图 I / DISTANCE ROD I

29-AB

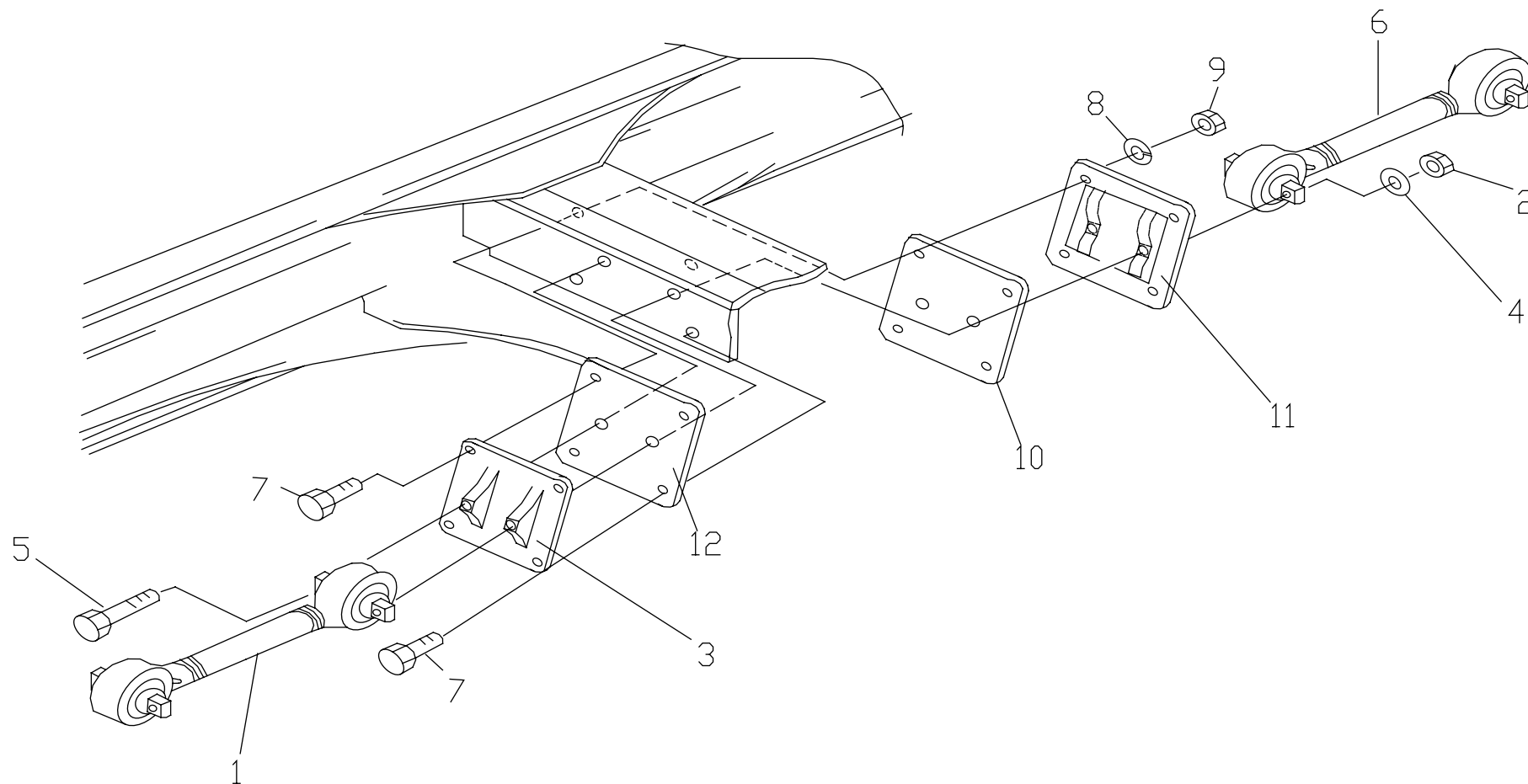




| 序号<br>No. | 件号<br>Part No. | 数量<br>Quantity | 名称<br>Name                      | 规格<br>Specification | 适用产品<br>Products Applied | 备注<br>Remark   |
|-----------|----------------|----------------|---------------------------------|---------------------|--------------------------|--|
| 1         | 29A3D-09010    | 1              | 推力杆<br>Distance Rod             |                     |                          | 中后桥轴距 1310mm 车型<br>Model W/Wheel Base Between Intermediate Axle And Rear Axle 1310mm |
| 2         | Q341B18 T13F3  | 2              | 六角螺母<br>Hexagon Nut             |                     |                          | 中后桥轴距 1310mm 车型<br>Model W/Wheel Base Between Intermediate Axle And Rear Axle 1310mm |
| 3         | 29A4D-09417    | 1              | 推力杆支架<br>Distance Rod Bracket   |                     |                          | 中后桥轴距 1310mm 车型<br>Model W/Wheel Base Between Intermediate Axle And Rear Axle 1310mm |
| 4         | Q41918         | 2              | 锥形弹性垫圈<br>Conical Spring Washer |                     |                          | 中后桥轴距 1310mm 车型<br>Model W/Wheel Base Between Intermediate Axle And Rear Axle 1310mm |
| 5         | 29AD-09111     | 2              | 六角螺栓<br>Hexagon Bolt            |                     |                          | 中后桥轴距 1310mm 车型<br>Model W/Wheel Base Between Intermediate Axle And Rear Axle 1310mm |
| 6         | 29A2D-09420    | 1              | 推力杆<br>Distance Rod             |                     |                          | 中后桥轴距 1310mm 车型<br>Model W/Wheel Base Between Intermediate Axle And Rear Axle 1310mm |

## 推力杆装置图 I / DISTANCE ROD I

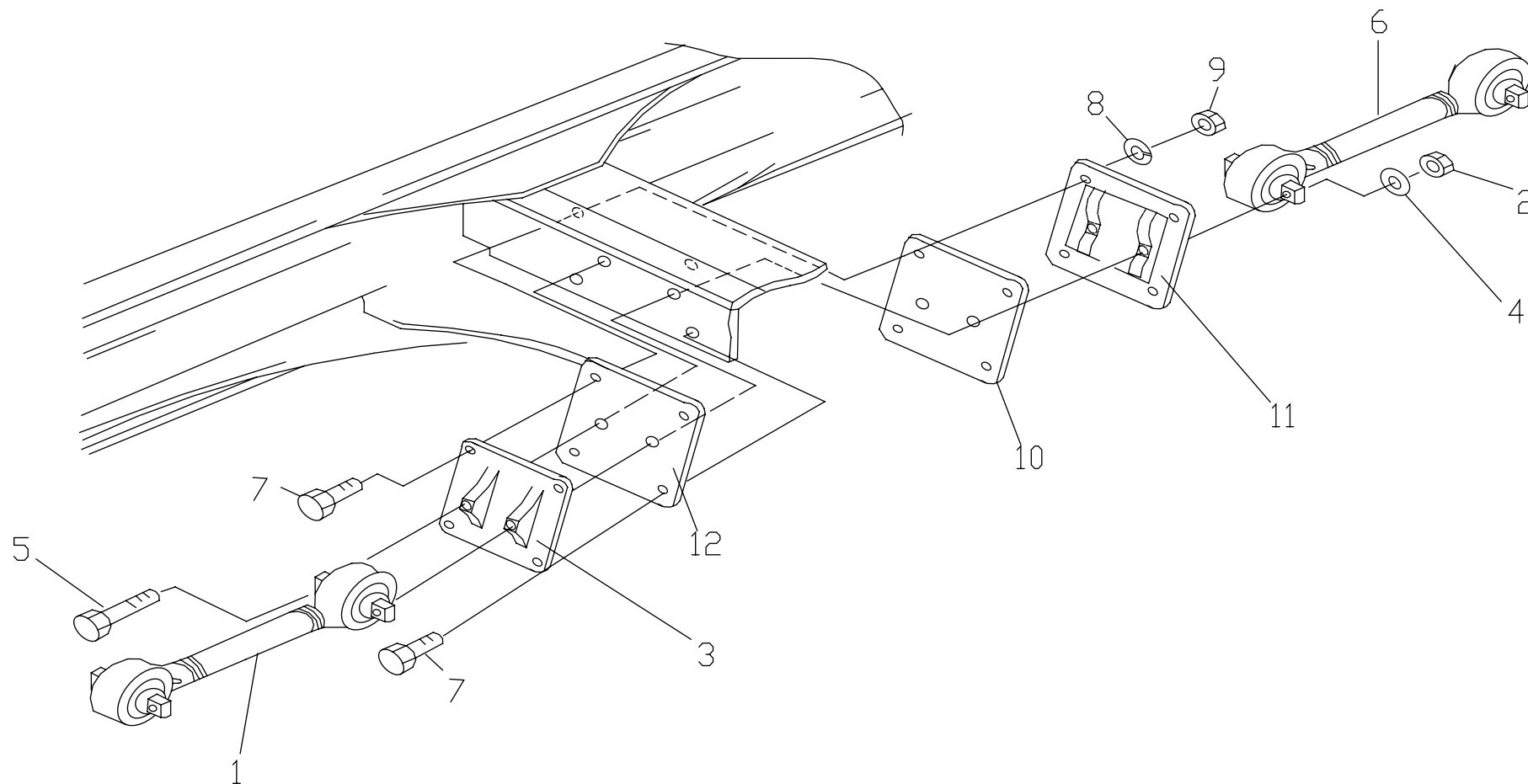
29-AB



| 序号<br>No. | 件号<br>Part No. | 数量<br>Quantity | 名称<br>Name                      | 规格<br>Specification | 适用产品<br>Products Applied | 备注<br>Remark   |
|-----------|----------------|----------------|---------------------------------|---------------------|--------------------------|--|
| 7         | Q151B1480      | 4              | 六角螺栓<br>Hexagon Bolt            |                     |                          | 中后桥轴距 1310mm 车型<br>Model W/Wheel Base Between Intermediate Axle And Rear Axle 1310mm |
| 8         | Q40514         | 4              | 弹簧垫圈<br>Spring Washer           |                     |                          | 中后桥轴距 1310mm 车型<br>Model W/Wheel Base Between Intermediate Axle And Rear Axle 1310mm |
| 9         | Q341B14        | 4              | 六角螺母<br>Hexagon Nut             |                     |                          | 中后桥轴距 1310mm 车型<br>Model W/Wheel Base Between Intermediate Axle And Rear Axle 1310mm |
| 10        | 29A2D-09416    | 1              | 推力杆垫板<br>Distance Rod Mat Plate |                     |                          | 中后桥轴距 1310mm 车型<br>Model W/Wheel Base Between Intermediate Axle And Rear Axle 1310mm |
| 11        | 29AD-09017     | 1              | 推力杆支架<br>Distance Rod Bracket   |                     |                          | 中后桥轴距 1310mm 车型<br>Model W/Wheel Base Between Intermediate Axle And Rear Axle 1310mm |
| 12        | 29A2D-09416    | 1              | 推力杆垫板<br>Distance Rod Mat Plate |                     |                          | 中后桥轴距 1310mm 车型<br>Model W/Wheel Base Between Intermediate Axle And Rear Axle 1310mm |

## 推力杆装置图 I / DISTANCE ROD I

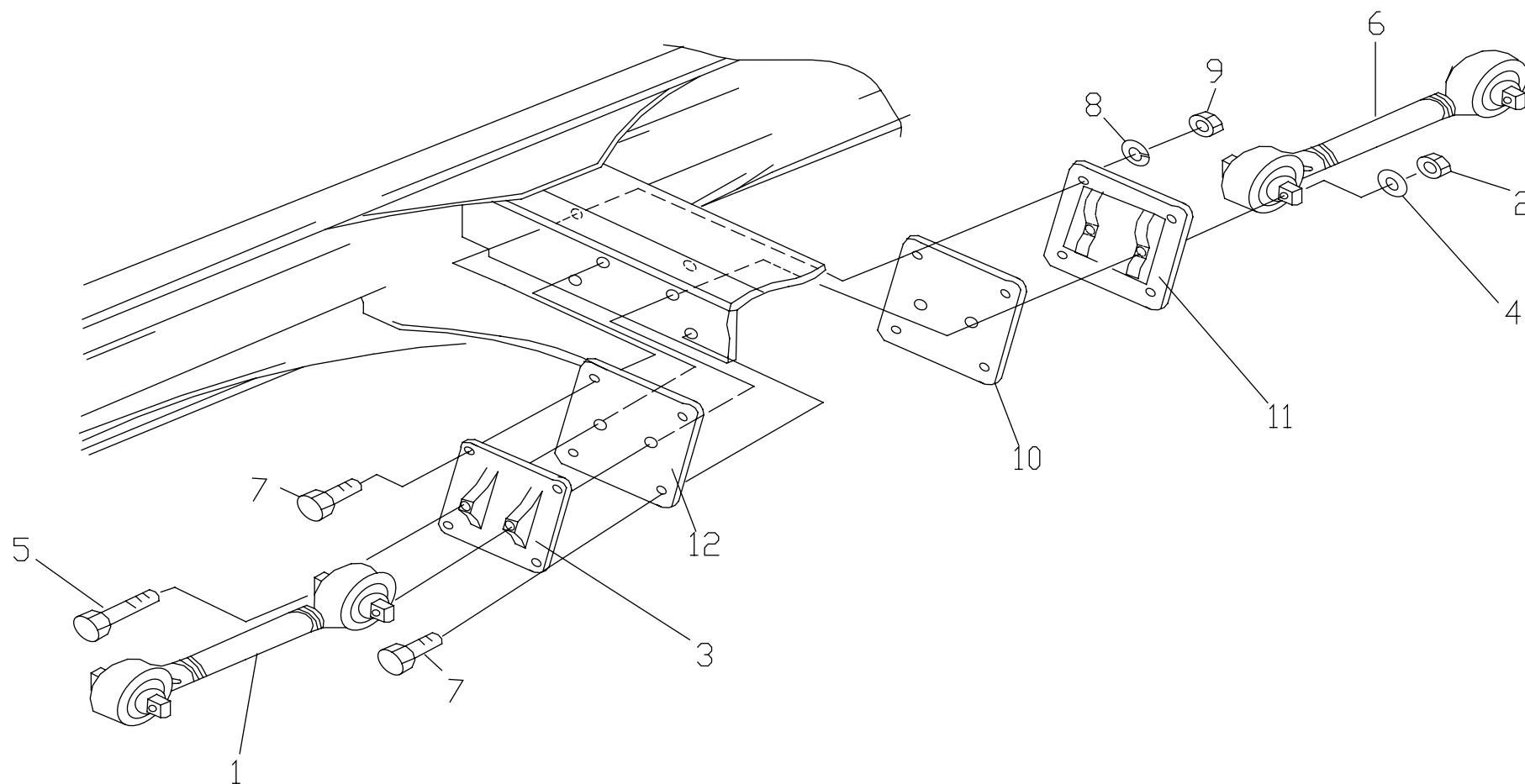
29-AB



| 序号<br>No. | 件号<br>Part No. | 数量<br>Quantity | 名称<br>Name                      | 规格<br>Specification | 适用产品<br>Products Applied | 备注<br>Remark   |
|-----------|----------------|----------------|---------------------------------|---------------------|--------------------------|--|
| 1         | 29A3D-09010    | 1              | 推力杆<br>Distance Rod             |                     |                          | 中后桥轴距 1310mm 车型<br>Model W/Wheel Base Between Intermediate Axle And Rear Axle 1310mm |
| 2         | Q341B18 T13F3  | 2              | 六角螺母<br>Hexagon Nut             |                     |                          | 中后桥轴距 1310mm 车型<br>Model W/Wheel Base Between Intermediate Axle And Rear Axle 1310mm |
| 3         | 29A3D-09017    | 1              | 推力杆支架<br>Distance Rod Bracket   |                     |                          | 中后桥轴距 1310mm 车型<br>Model W/Wheel Base Between Intermediate Axle And Rear Axle 1310mm |
| 4         | Q41918         | 2              | 锥形弹性垫圈<br>Conical Spring Washer |                     |                          | 中后桥轴距 1310mm 车型<br>Model W/Wheel Base Between Intermediate Axle And Rear Axle 1310mm |
| 5         | 29AD-09111     | 2              | 六角螺栓<br>Hexagon Bolt            |                     |                          | 中后桥轴距 1310mm 车型<br>Model W/Wheel Base Between Intermediate Axle And Rear Axle 1310mm |
| 6         | 29A3D-09030    | 1              | 推力杆<br>Distance Rod             |                     |                          | 中后桥轴距 1310mm 车型<br>Model W/Wheel Base Between Intermediate Axle And Rear Axle 1310mm |

## 推力杆装置图 I / DISTANCE ROD I

29-AB



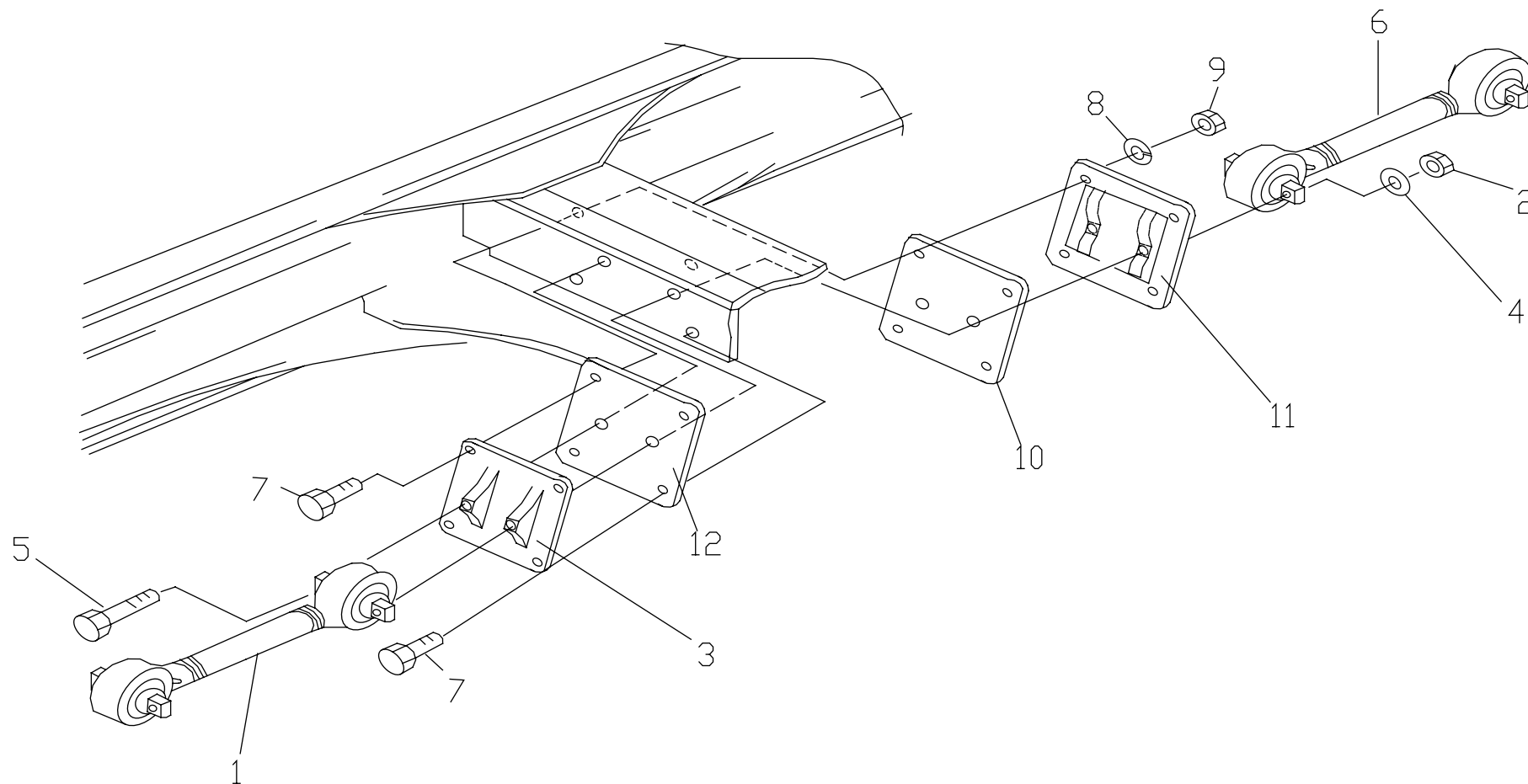
悬架系统 / SUSPENSION SYSTEM

29-64

| 序号<br>No. | 件号<br>Part No. | 数量<br>Quantity | 名称<br>Name                      | 规格<br>Specification | 适用产品<br>Products Applied | 备注<br>Remark   |
|-----------|----------------|----------------|---------------------------------|---------------------|--------------------------|--|
| 7         | Q151B1480      | 4              | 六角螺栓<br>Hexagon Bolt            |                     |                          | 中后桥轴距 1310mm 车型<br>Model W/Wheel Base Between Intermediate Axle And Rear Axle 1310mm |
| 8         | Q40514         | 4              | 弹簧垫圈<br>Spring Washer           |                     |                          | 中后桥轴距 1310mm 车型<br>Model W/Wheel Base Between Intermediate Axle And Rear Axle 1310mm |
| 9         | Q341B14        | 4              | 六角螺母<br>Hexagon Nut             |                     |                          | 中后桥轴距 1310mm 车型<br>Model W/Wheel Base Between Intermediate Axle And Rear Axle 1310mm |
| 10        | 29AD-09416     | 1              | 推力杆垫板<br>Distance Rod Mat Plate |                     |                          | 中后桥轴距 1310mm 车型<br>Model W/Wheel Base Between Intermediate Axle And Rear Axle 1310mm |
| 11        | 29A3D-09017    | 1              | 推力杆支架<br>Distance Rod Bracket   |                     |                          | 中后桥轴距 1310mm 车型<br>Model W/Wheel Base Between Intermediate Axle And Rear Axle 1310mm |
| 12        | 29AD-09016     | 1              | 推力杆垫板<br>Distance Rod Mat Plate |                     |                          | 中后桥轴距 1310mm 车型<br>Model W/Wheel Base Between Intermediate Axle And Rear Axle 1310mm |

## 推力杆装置图 I / DISTANCE ROD I

29-AB

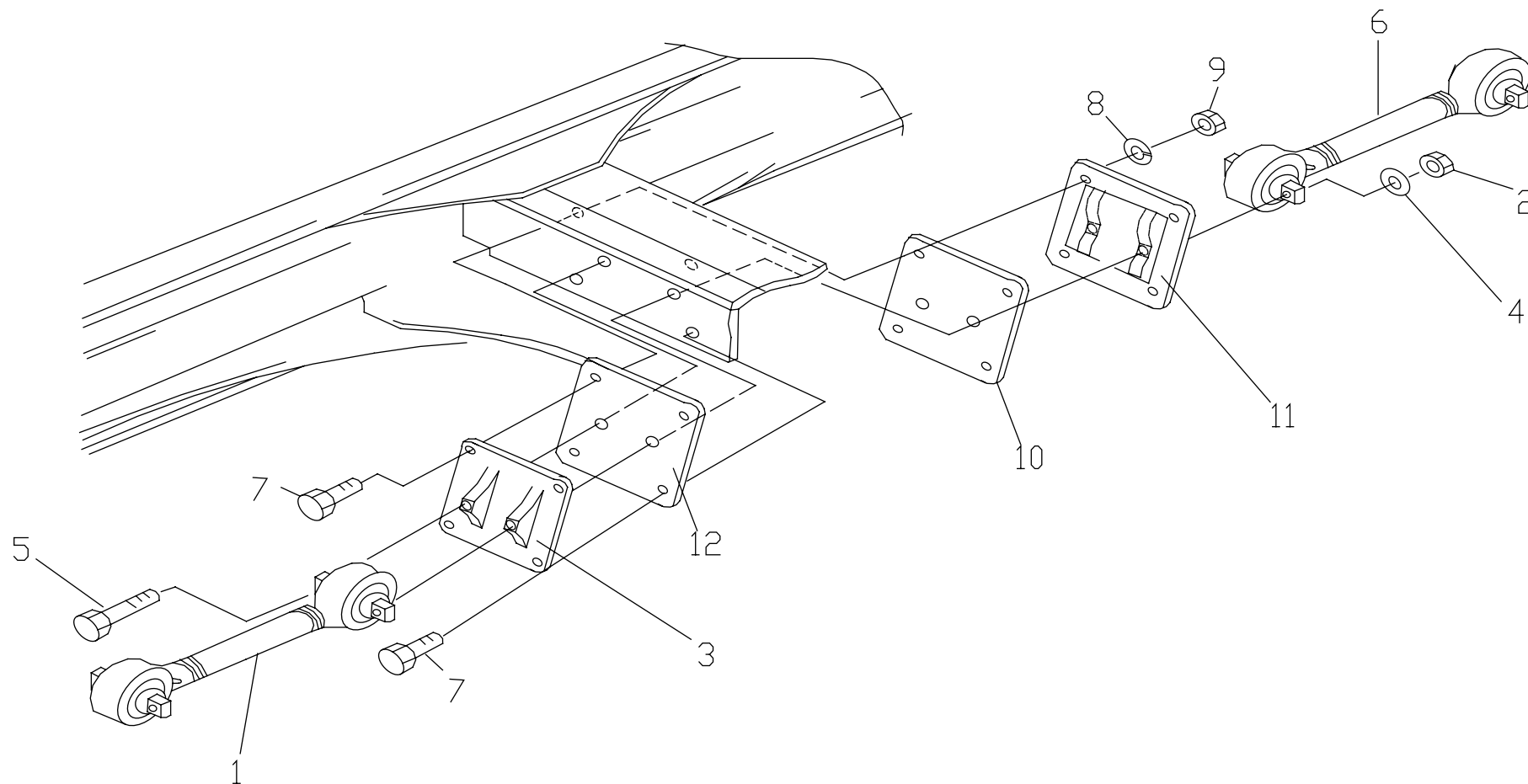




| 序号<br>No. | 件号<br>Part No. | 数量<br>Quantity | 名称<br>Name                      | 规格<br>Specification | 适用产品<br>Products Applied | 备注<br>Remark   |
|-----------|----------------|----------------|---------------------------------|---------------------|--------------------------|--|
| 1         | 29A3D-09010    | 1              | 推力杆<br>Distance Rod             |                     |                          | 中后桥轴距 1310mm 车型<br>Model W/Wheel Base Between Intermediate Axle And Rear Axle 1310mm |
| 2         | Q341B18 T13F3  | 2              | 六角螺母<br>Hexagon Nut             |                     |                          | 中后桥轴距 1310mm 车型<br>Model W/Wheel Base Between Intermediate Axle And Rear Axle 1310mm |
| 3         | 29A3D-09017    | 1              | 推力杆支架<br>Distance Rod Bracket   |                     |                          | 中后桥轴距 1310mm 车型<br>Model W/Wheel Base Between Intermediate Axle And Rear Axle 1310mm |
| 4         | Q41918         | 2              | 锥形弹性垫圈<br>Conical Spring Washer |                     |                          | 中后桥轴距 1310mm 车型<br>Model W/Wheel Base Between Intermediate Axle And Rear Axle 1310mm |
| 5         | 29AD-09111     | 2              | 六角螺栓<br>Hexagon Bolt            |                     |                          | 中后桥轴距 1310mm 车型<br>Model W/Wheel Base Between Intermediate Axle And Rear Axle 1310mm |
| 6         | 29A4D-09020    | 1              | 推力杆<br>Distance Rod             |                     |                          | 中后桥轴距 1310mm 车型<br>Model W/Wheel Base Between Intermediate Axle And Rear Axle 1310mm |

## 推力杆装置图 I / DISTANCE ROD I

29-AB



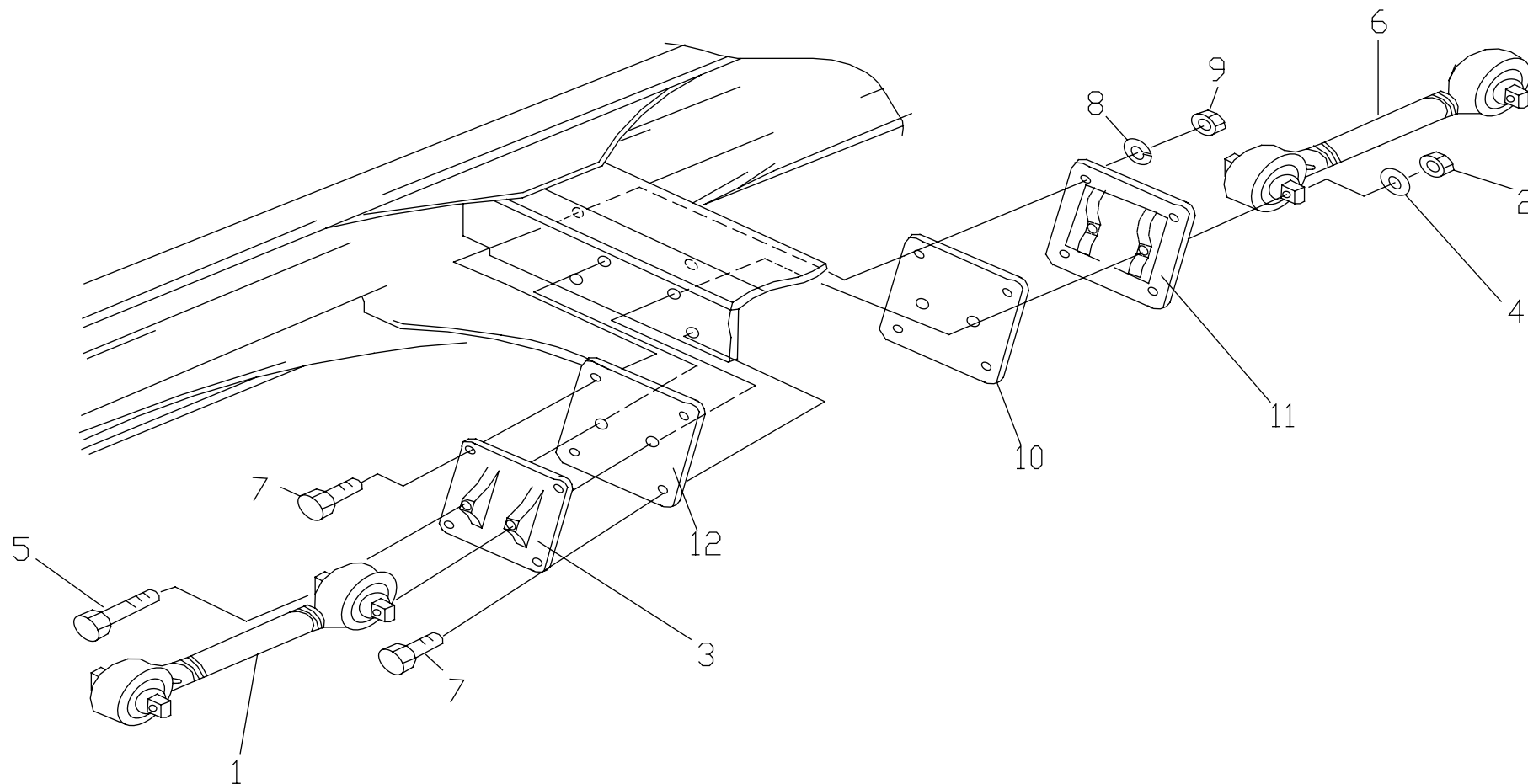
悬架系统 / SUSPENSION SYSTEM

29-68

| 序号<br>No. | 件号<br>Part No. | 数量<br>Quantity | 名称<br>Name                      | 规格<br>Specification | 适用产品<br>Products Applied | 备注<br>Remark  |
|-----------|----------------|----------------|---------------------------------|---------------------|--------------------------|---|
| 7         | Q151B1480      | 4              | 六角螺栓<br>Hexagon Bolt            |                     |                          | 中后桥轴距 1310mm 车型<br>Model W/Wheel Base<br>Between Intermediate<br>Axle And Rear Axle<br>1310mm |
| 8         | Q40514         | 4              | 弹簧垫圈<br>Spring Washer           |                     |                          | 中后桥轴距 1310mm 车型<br>Model W/Wheel Base<br>Between Intermediate<br>Axle And Rear Axle<br>1310mm |
| 9         | Q341B14        | 4              | 六角螺母<br>Hexagon Nut             |                     |                          | 中后桥轴距 1310mm 车型<br>Model W/Wheel Base<br>Between Intermediate<br>Axle And Rear Axle<br>1310mm |
| 10        | 29AD-09016     | 1              | 推力杆垫板<br>Distance Rod Mat Plate |                     |                          | 中后桥轴距 1310mm 车型<br>Model W/Wheel Base<br>Between Intermediate<br>Axle And Rear Axle<br>1310mm |
| 11        | 29AD-09017     | 1              | 推力杆支架<br>Distance Rod Bracket   |                     |                          | 中后桥轴距 1310mm 车型<br>Model W/Wheel Base<br>Between Intermediate<br>Axle And Rear Axle<br>1310mm |
| 12        | 29AD-09016     | 1              | 推力杆垫板<br>Distance Rod Mat Plate |                     |                          | 中后桥轴距 1310mm 车型<br>Model W/Wheel Base<br>Between Intermediate<br>Axle And Rear Axle<br>1310mm |

## 推力杆装置图 I / DISTANCE ROD I

29-AB



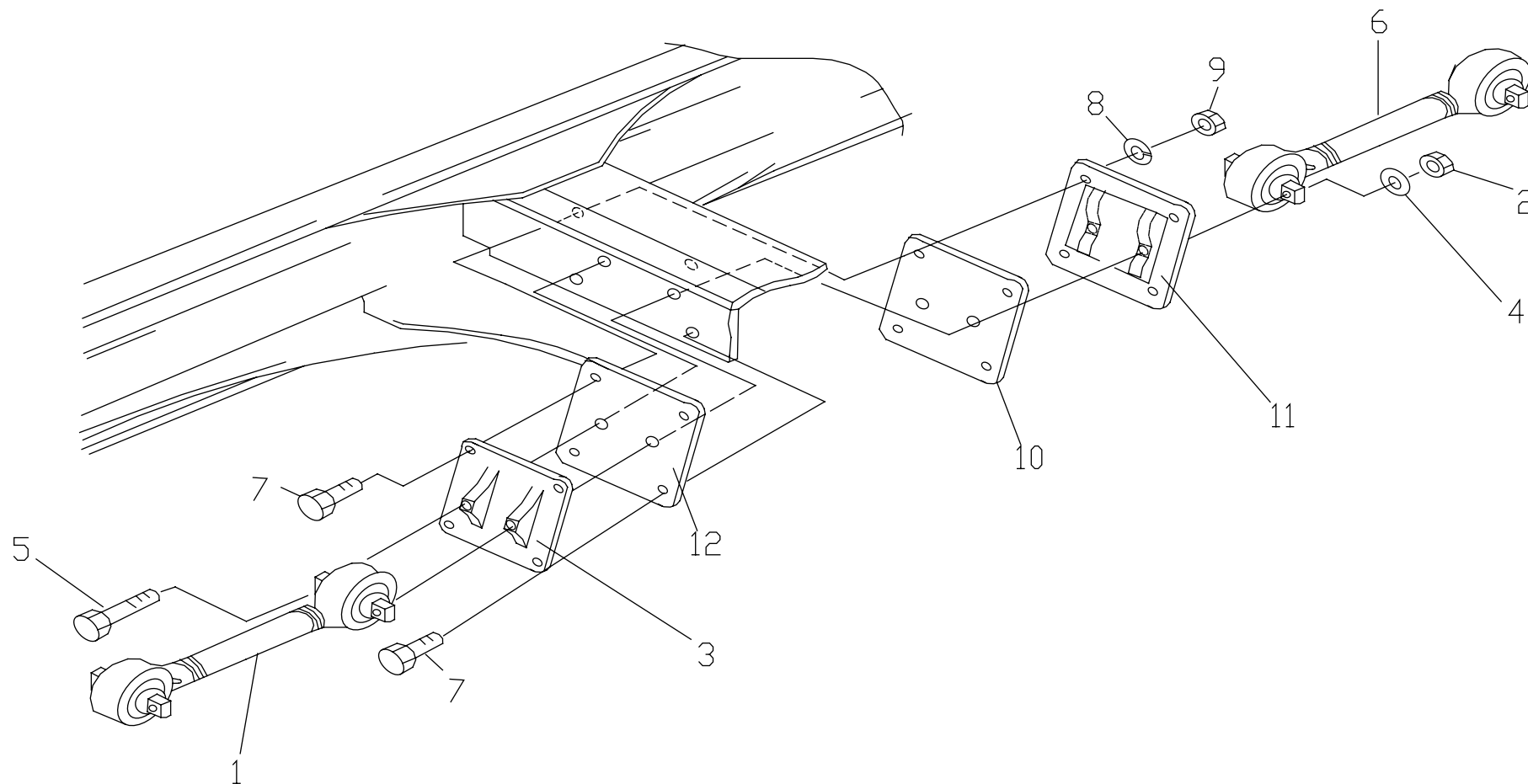
悬架系统 / SUSPENSION SYSTEM

29-70

| 序号<br>No. | 件号<br>Part No. | 数量<br>Quantity | 名称<br>Name                      | 规格<br>Specification | 适用产品<br>Products Applied | 备注<br>Remark   |
|-----------|----------------|----------------|---------------------------------|---------------------|--------------------------|--|
| 1         | 29AD-09010     | 1              | 推力杆<br>Distance Rod             |                     |                          | 中后桥轴距 1310mm 车型<br>Model W/Wheel Base Between Intermediate Axle And Rear Axle 1310mm |
| 2         | Q341B18 T13F3  | 2              | 六角螺母<br>Hexagon Nut             |                     |                          | 中后桥轴距 1310mm 车型<br>Model W/Wheel Base Between Intermediate Axle And Rear Axle 1310mm |
| 3         | 29A3D-09017    | 1              | 推力杆支架<br>Distance Rod Bracket   |                     |                          | 中后桥轴距 1310mm 车型<br>Model W/Wheel Base Between Intermediate Axle And Rear Axle 1310mm |
| 4         | Q41918         | 2              | 锥形弹性垫圈<br>Conical Spring Washer |                     |                          | 中后桥轴距 1310mm 车型<br>Model W/Wheel Base Between Intermediate Axle And Rear Axle 1310mm |
| 5         | 29AD-09111     | 2              | 六角螺栓<br>Hexagon Bolt            |                     |                          | 中后桥轴距 1310mm 车型<br>Model W/Wheel Base Between Intermediate Axle And Rear Axle 1310mm |
| 6         | 29A2D-09420    | 1              | 推力杆<br>Distance Rod             |                     |                          | 中后桥轴距 1310mm 车型<br>Model W/Wheel Base Between Intermediate Axle And Rear Axle 1310mm |

## 推力杆装置图 I / DISTANCE ROD I

29-AB



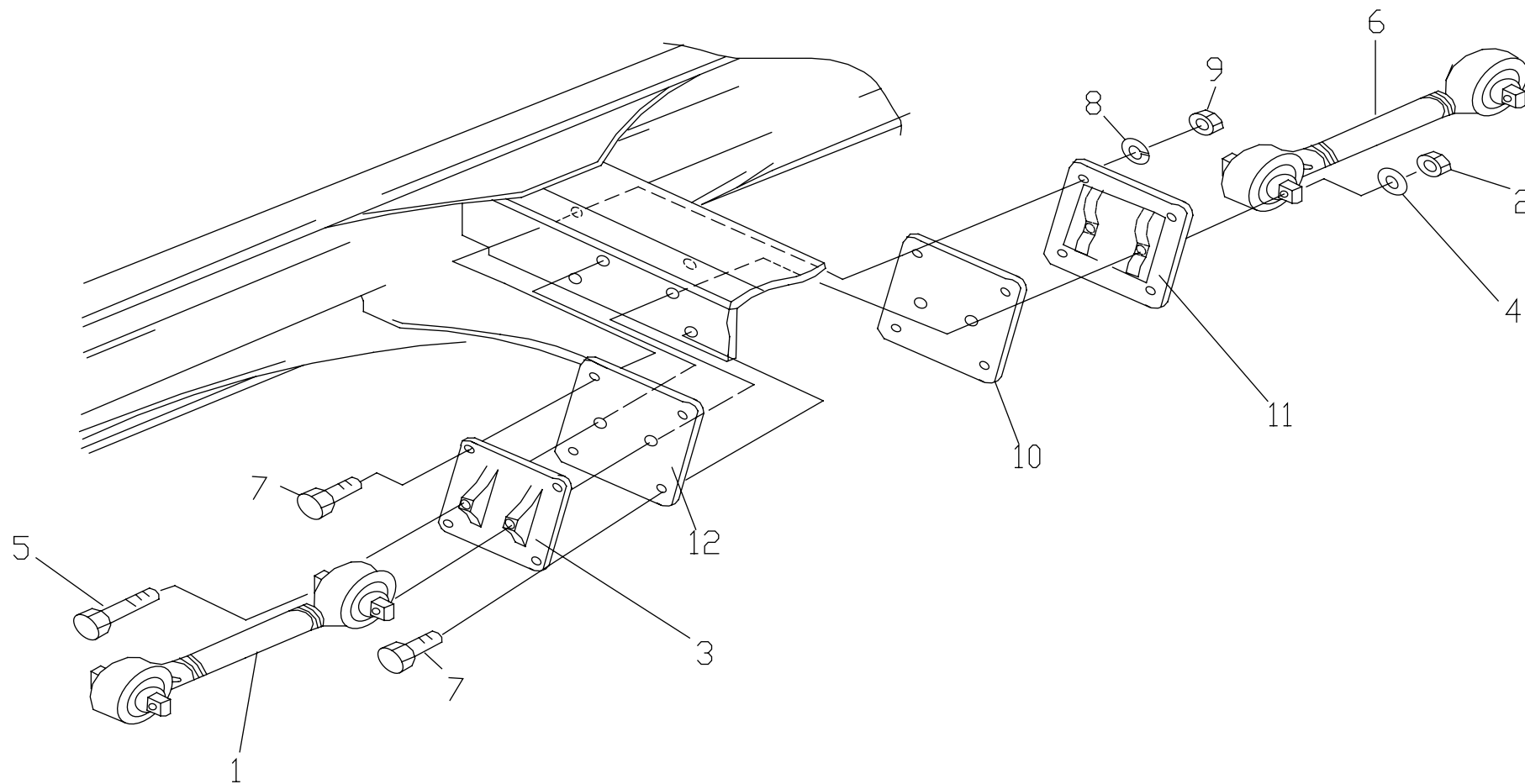
# 悬架系统 / SUSPENSION SYSTEM

29-72

| 序号<br>No. | 件号<br>Part No. | 数量<br>Quantity | 名称<br>Name                      | 规格<br>Specification | 适用产品<br>Products Applied | 备注<br>Remark   |
|-----------|----------------|----------------|---------------------------------|---------------------|--------------------------|--|
| 7         | Q151B1480      | 4              | 六角螺栓<br>Hexagon Bolt            |                     |                          | 中后桥轴距 1310mm 车型<br>Model W/Wheel Base Between Intermediate Axle And Rear Axle 1310mm |
| 8         | Q40514         | 4              | 弹簧垫圈<br>Spring Washer           |                     |                          | 中后桥轴距 1310mm 车型<br>Model W/Wheel Base Between Intermediate Axle And Rear Axle 1310mm |
| 9         | Q341B14        | 4              | 六角螺母<br>Hexagon Nut             |                     |                          | 中后桥轴距 1310mm 车型<br>Model W/Wheel Base Between Intermediate Axle And Rear Axle 1310mm |
| 10        | 29A2D-09416    | 1              | 推力杆垫板<br>Distance Rod Mat Plate |                     |                          | 中后桥轴距 1310mm 车型<br>Model W/Wheel Base Between Intermediate Axle And Rear Axle 1310mm |
| 11        | 29AD-09017     | 1              | 推力杆支架<br>Distance Rod Bracket   |                     |                          | 中后桥轴距 1310mm 车型<br>Model W/Wheel Base Between Intermediate Axle And Rear Axle 1310mm |
| 12        | 29A2D-09416    | 1              | 推力杆垫板<br>Distance Rod Mat Plate |                     |                          | 中后桥轴距 1310mm 车型<br>Model W/Wheel Base Between Intermediate Axle And Rear Axle 1310mm |

## 推力杆装置图 I / DISTANCE ROD I

29-AB





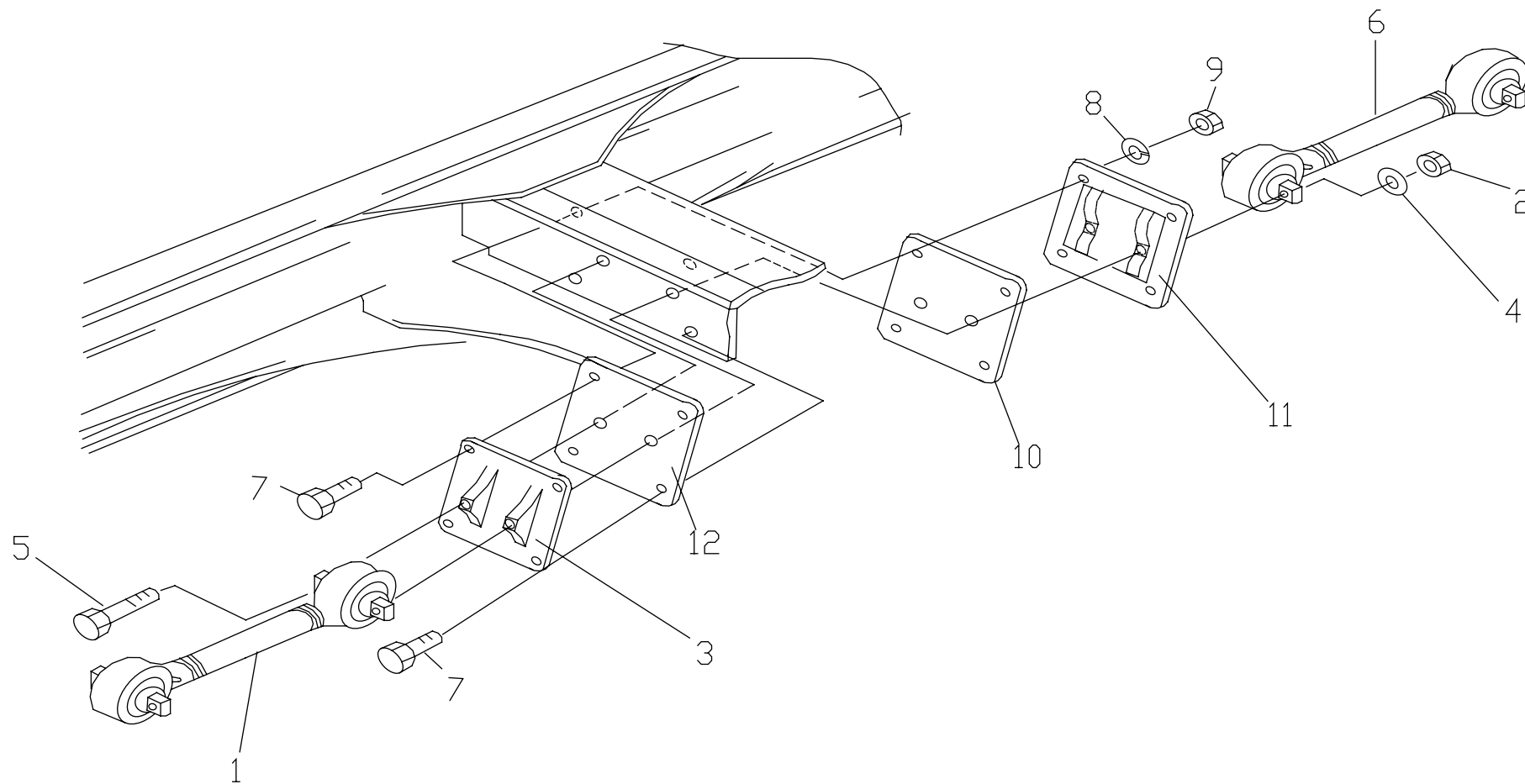
悬架系统 / SUSPENSION SYSTEM

29-74

| 序号<br>No. | 件号<br>Part No. | 数量<br>Quantity | 名称<br>Name                      | 规格<br>Specification | 适用产品<br>Products Applied | 备注<br>Remark   |
|-----------|----------------|----------------|---------------------------------|---------------------|--------------------------|--|
| 1         | 29A3D-09010    | 1              | 推力杆<br>Distance Rod             |                     |                          | 中后桥轴距 1310mm 车型<br>Model W/Wheel Base Between Intermediate Axle And Rear Axle 1310mm |
| 2         | Q341B18 T13F3  | 2              | 六角螺母<br>Hexagon Nut             |                     |                          | 中后桥轴距 1310mm 车型<br>Model W/Wheel Base Between Intermediate Axle And Rear Axle 1310mm |
| 3         | 29AD-09017     | 1              | 推力杆支架<br>Distance Rod Bracket   |                     |                          | 中后桥轴距 1310mm 车型<br>Model W/Wheel Base Between Intermediate Axle And Rear Axle 1310mm |
| 4         | Q41918         | 2              | 锥形弹性垫圈<br>Conical Spring Washer |                     |                          | 中后桥轴距 1310mm 车型<br>Model W/Wheel Base Between Intermediate Axle And Rear Axle 1310mm |
| 5         | 29AD-09111     | 2              | 六角螺栓<br>Hexagon Bolt            |                     |                          | 中后桥轴距 1310mm 车型<br>Model W/Wheel Base Between Intermediate Axle And Rear Axle 1310mm |
| 6         | 29AD-09020     | 1              | 推力杆<br>Distance Rod             |                     |                          | 中后桥轴距 1310mm 车型<br>Model W/Wheel Base Between Intermediate Axle And Rear Axle 1310mm |

## 推力杆装置图 I / DISTANCE ROD I

29-AB



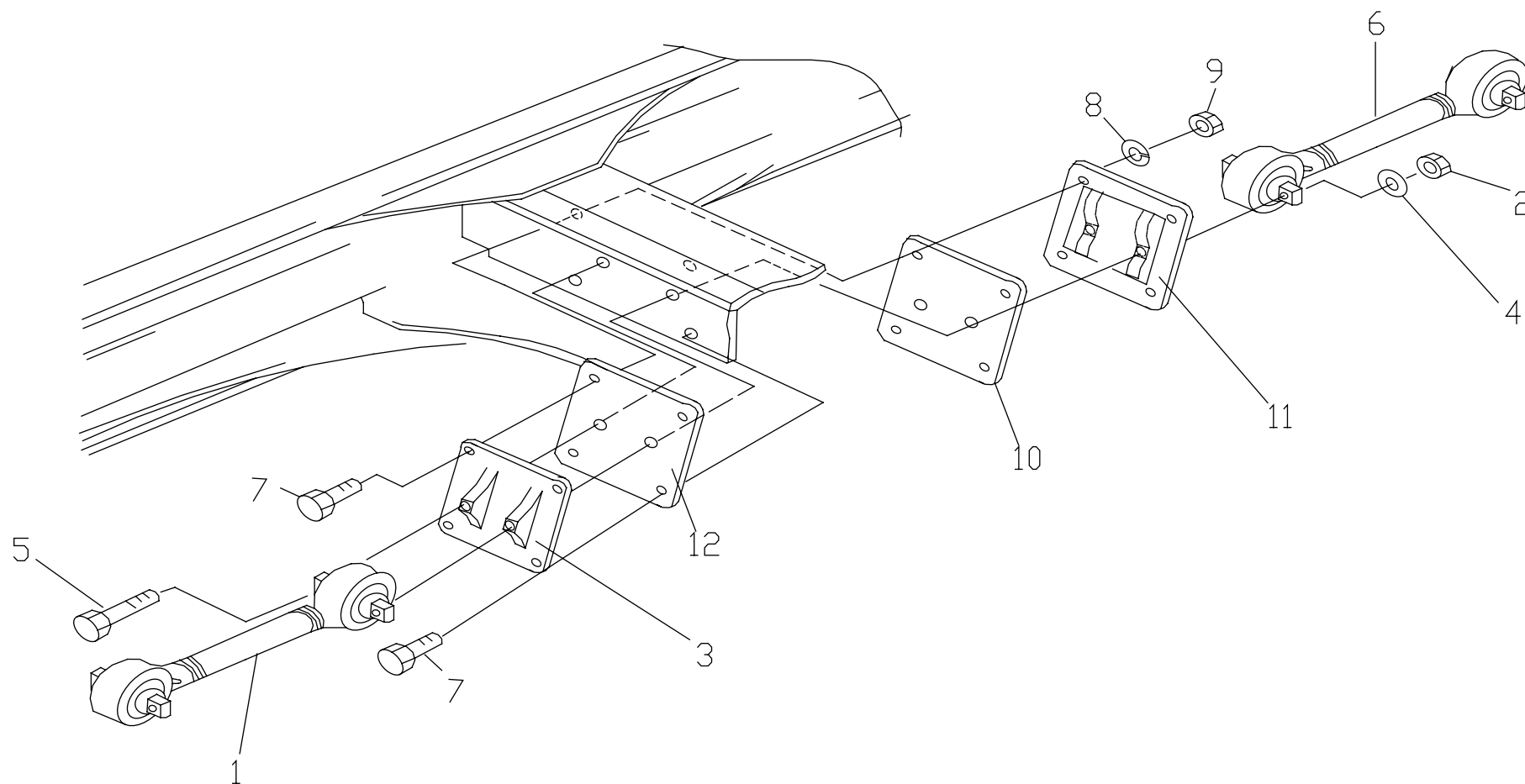
悬架系统 / SUSPENSION SYSTEM

29-76

| 序号<br>No. | 件号<br>Part No. | 数量<br>Quantity | 名称<br>Name                      | 规格<br>Specification | 适用产品<br>Products Applied | 备注<br>Remark  |
|-----------|----------------|----------------|---------------------------------|---------------------|--------------------------|---|
| 7         | Q151B1480      | 4              | 六角螺栓<br>Hexagon Bolt            |                     |                          | 中后桥轴距 1310mm 车型<br>Model W/Wheel Base<br>Between Intermediate<br>Axle And Rear Axle<br>1310mm |
| 8         | Q40514         | 4              | 弹簧垫圈<br>Spring Washer           |                     |                          | 中后桥轴距 1310mm 车型<br>Model W/Wheel Base<br>Between Intermediate<br>Axle And Rear Axle<br>1310mm |
| 9         | Q341B14        | 4              | 六角螺母<br>Hexagon Nut             |                     |                          | 中后桥轴距 1310mm 车型<br>Model W/Wheel Base<br>Between Intermediate<br>Axle And Rear Axle<br>1310mm |
| 10        | 29A2D-09021    | 1              | 推力杆垫板<br>Distance Rod Mat Plate |                     |                          | 中后桥轴距 1310mm 车型<br>Model W/Wheel Base<br>Between Intermediate<br>Axle And Rear Axle<br>1310mm |
| 11        | 29AD-09017     | 1              | 推力杆支架<br>Distance Rod Bracket   |                     |                          | 中后桥轴距 1310mm 车型<br>Model W/Wheel Base<br>Between Intermediate<br>Axle And Rear Axle<br>1310mm |
| 12        | 29AD-09016     | 1              | 推力杆垫板<br>Distance Rod Mat Plate |                     |                          | 中后桥轴距 1310mm 车型<br>Model W/Wheel Base<br>Between Intermediate<br>Axle And Rear Axle<br>1310mm |

## 推力杆装置图 I / DISTANCE ROD I

29-AB



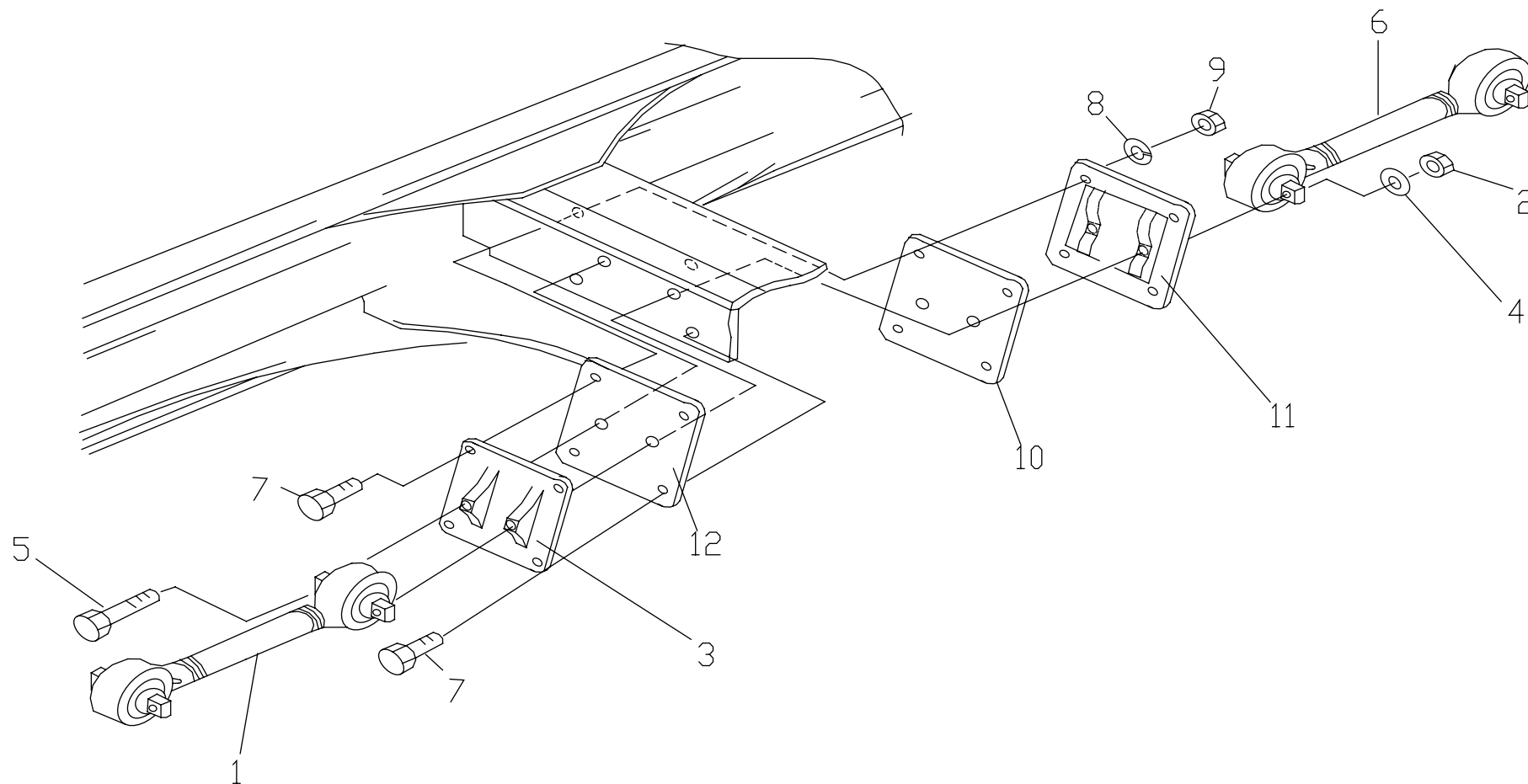
悬架系统 / SUSPENSION SYSTEM

29-78

| 序号<br>No. | 件号<br>Part No. | 数量<br>Quantity | 名称<br>Name                      | 规格<br>Specification | 适用产品<br>Products Applied | 备注<br>Remark   |
|-----------|----------------|----------------|---------------------------------|---------------------|--------------------------|--|
| 1         | 29A3D-09010    | 1              | 推力杆<br>Distance Rod             |                     |                          | 中后桥轴距 1310mm 车型<br>Model W/Wheel Base Between Intermediate Axle And Rear Axle 1310mm |
| 2         | Q341B18 T13F3  | 2              | 六角螺母<br>Hexagon Nut             |                     |                          | 中后桥轴距 1310mm 车型<br>Model W/Wheel Base Between Intermediate Axle And Rear Axle 1310mm |
| 3         | 29AD-09017     | 1              | 推力杆支架<br>Distance Rod Bracket   |                     |                          | 中后桥轴距 1310mm 车型<br>Model W/Wheel Base Between Intermediate Axle And Rear Axle 1310mm |
| 4         | Q41918         | 2              | 锥形弹性垫圈<br>Conical Spring Washer |                     |                          | 中后桥轴距 1310mm 车型<br>Model W/Wheel Base Between Intermediate Axle And Rear Axle 1310mm |
| 5         | 29AD-09111     | 2              | 六角螺栓<br>Hexagon Bolt            |                     |                          | 中后桥轴距 1310mm 车型<br>Model W/Wheel Base Between Intermediate Axle And Rear Axle 1310mm |
| 6         | 29A3D-09030    | 1              | 推力杆<br>Distance Rod             |                     |                          | 中后桥轴距 1310mm 车型<br>Model W/Wheel Base Between Intermediate Axle And Rear Axle 1310mm |

## 推力杆装置图 I / DISTANCE ROD I

29-AB



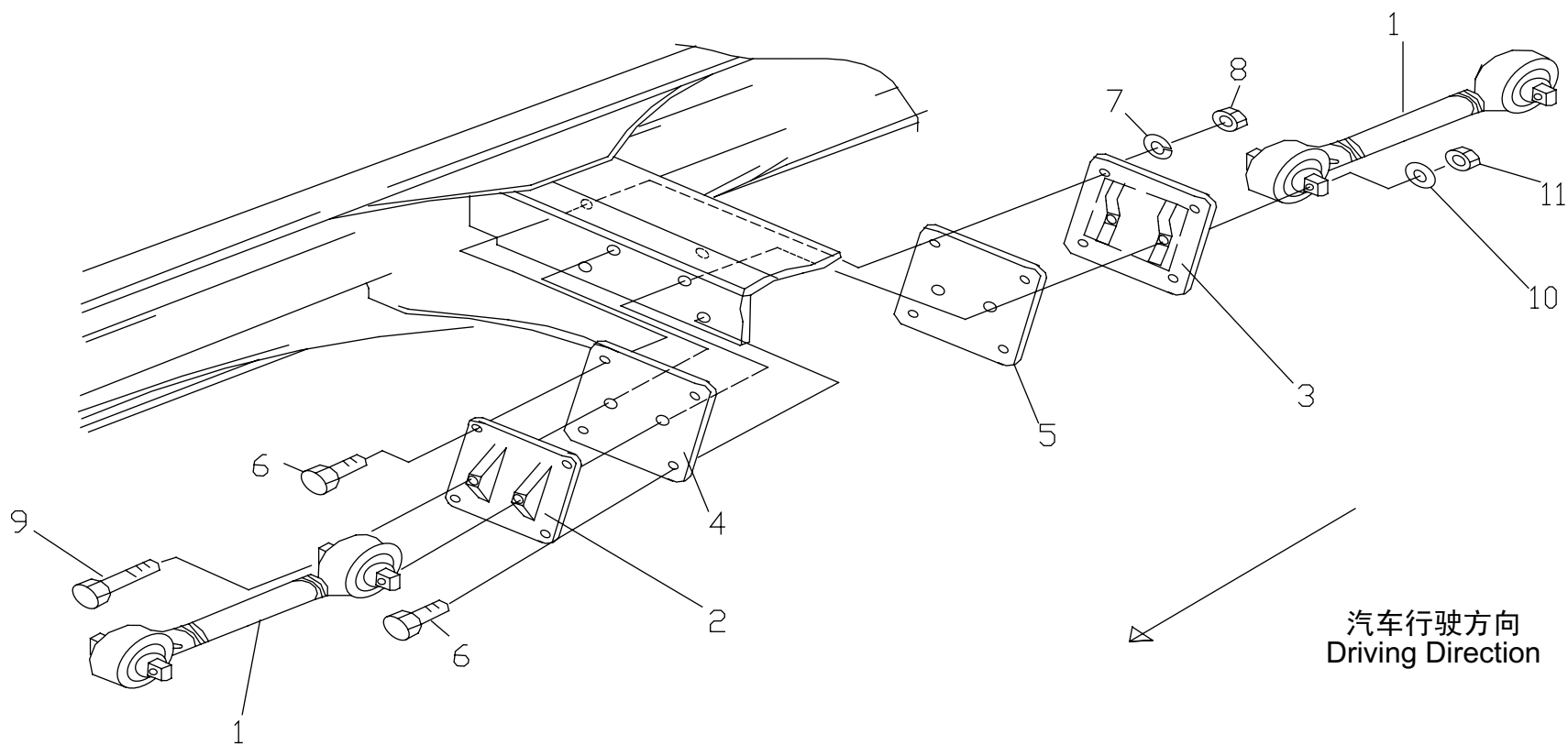
悬架系统 / SUSPENSION SYSTEM

29-80

| 序号<br>No. | 件号<br>Part No. | 数量<br>Quantity | 名称<br>Name                      | 规格<br>Specification | 适用产品<br>Products Applied | 备注<br>Remark   |
|-----------|----------------|----------------|---------------------------------|---------------------|--------------------------|--|
| 7         | Q151B1480      | 4              | 六角螺栓<br>Hexagon Bolt            |                     |                          | 中后桥轴距 1310mm 车型<br>Model W/Wheel Base Between Intermediate Axle And Rear Axle 1310mm |
| 8         | Q40514         | 4              | 弹簧垫圈<br>Spring Washer           |                     |                          | 中后桥轴距 1310mm 车型<br>Model W/Wheel Base Between Intermediate Axle And Rear Axle 1310mm |
| 9         | Q341B14        | 4              | 六角螺母<br>Hexagon Nut             |                     |                          | 中后桥轴距 1310mm 车型<br>Model W/Wheel Base Between Intermediate Axle And Rear Axle 1310mm |
| 10        | 29A2D-09021    | 1              | 推力杆垫板<br>Distance Rod Mat Plate |                     |                          | 中后桥轴距 1310mm 车型<br>Model W/Wheel Base Between Intermediate Axle And Rear Axle 1310mm |
| 11        | 29AD-09017     | 1              | 推力杆支架<br>Distance Rod Bracket   |                     |                          | 中后桥轴距 1310mm 车型<br>Model W/Wheel Base Between Intermediate Axle And Rear Axle 1310mm |
| 12        | 29AD-09016     | 1              | 推力杆垫板<br>Distance Rod Mat Plate |                     |                          | 中后桥轴距 1310mm 车型<br>Model W/Wheel Base Between Intermediate Axle And Rear Axle 1310mm |

## 推力杆装置图 II / DISTANCE ROD II

29-AC

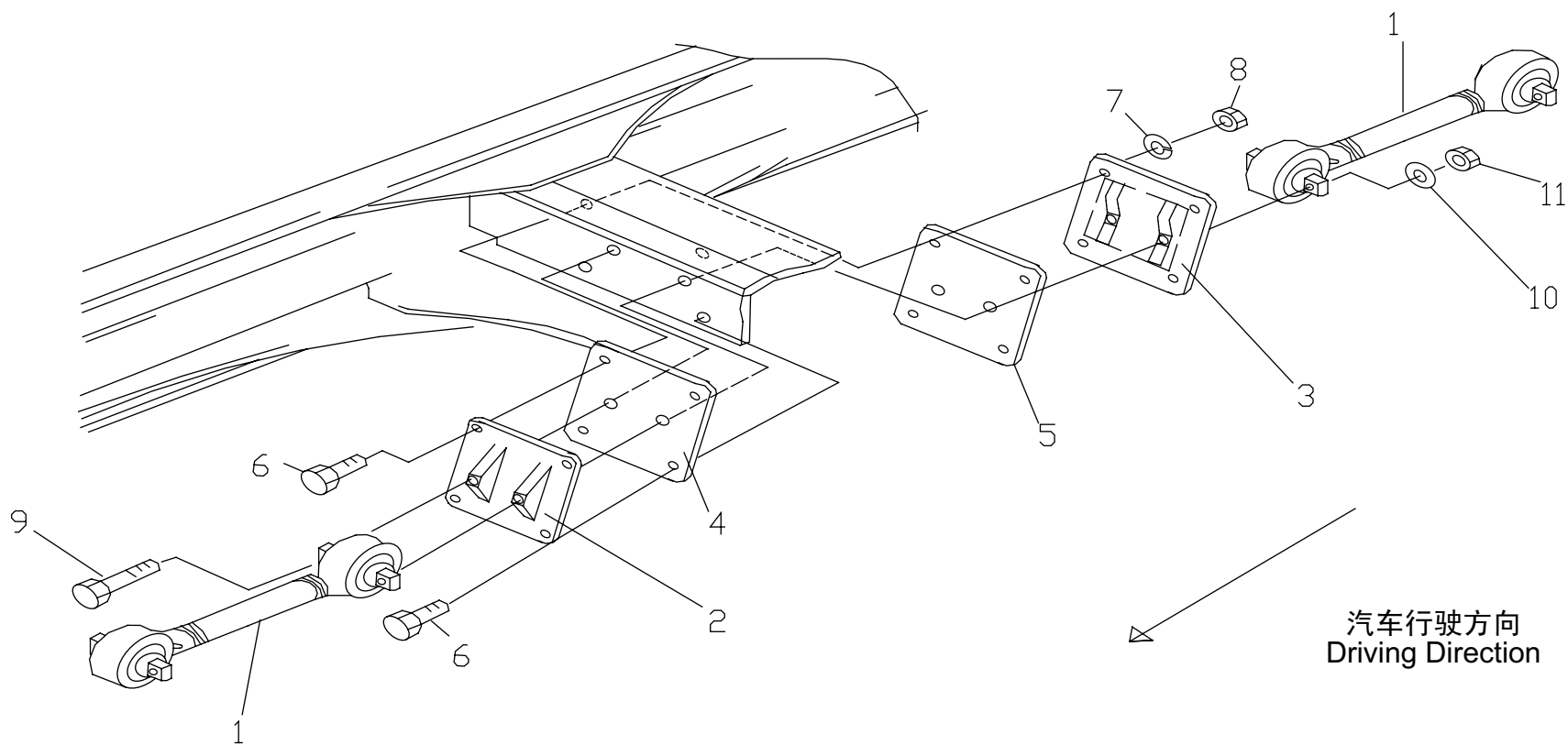




| 序号<br>No. | 件号<br>Part No. | 数量<br>Quantity | 名称<br>Name                    | 规格<br>Specification   | 适用产品<br>Products Applied                         | 备注<br>Remark  |
|-----------|----------------|----------------|-------------------------------|-----------------------|--|---|
| 1         | 29AH4D-09410   | 2              | 推力杆<br>Distance Rod           | 长 585mm<br>585mm Long |  |   |
| 2         | 29AHD-09437    | 1              | 推力杆支架<br>Distance Rod Bracket | 高 86mm<br>86mm High   | 斯太尔发动机配 STEYR 桥<br>STEYR Engine And STEYR Axle   | 中后桥轴距 1350mm<br>车型<br>Model W/Wheel<br>Base Between<br>Intermediate Axle<br>And Rear Axle<br>1350mm |
|           |                |                |                               |                       | 斯太尔发动机配 457 桥<br>STEYR Engine And 457-Axle       |   |
|           | 29AH4D-09437   | 1              | 推力杆支架<br>Distance Rod Bracket | 高 96mm<br>96mm High   | 康明斯发动机配 STEYR 桥<br>CUMMINS Engine And STEYR Axle |   |
|           |                |                |                               |                       | 日野发动机配 STEYR 桥<br>HINO Engine And STEYR Axle     |   |
| 3         | 29AH4D-09437   | 1              | 推力杆支架<br>Distance Rod Bracket | 高 96mm<br>96mm High   | 斯太尔发动机配 STEYR 桥<br>STEYR Engine And STEYR Axle   | 中后桥轴距 1350mm<br>车型<br>Model W/Wheel<br>Base Between<br>Intermediate Axle<br>And Rear Axle<br>1350mm |
|           |                |                |                               |                       | 日野发动机配 STEYR 桥<br>HINO Engine And STEYR Axle     |   |
|           | 29AH19D-09437  | 1              | 推力杆支架<br>Distance Rod Bracket | 高 105mm<br>105mm High | 康明斯发动机配 STEYR 桥<br>CUMMINS Engine And STEYR Axle |   |
|           | 29AD-09437     | 1              | 推力杆支架<br>Distance Rod Bracket | 高 70mm<br>70mm High   | 斯太尔发动机配 457 桥<br>STEYR Engine And 457-Axle       |   |
|           | 29AH2D-09437   | 1              | 推力杆支架<br>Distance Rod Bracket | 高 80mm<br>80mm High   | 康明斯发动机配 457 桥<br>CUMMINS Engine And 457-Axle     |   |
|           | 29AHD-09437    | 1              | 推力杆支架<br>Distance Rod Bracket | 高 86mm<br>86mm High   | 日野发动机配 457 桥<br>HINO Engine And 457-Axle         |   |

## 推力杆装置图 II / DISTANCE ROD II

29-AC



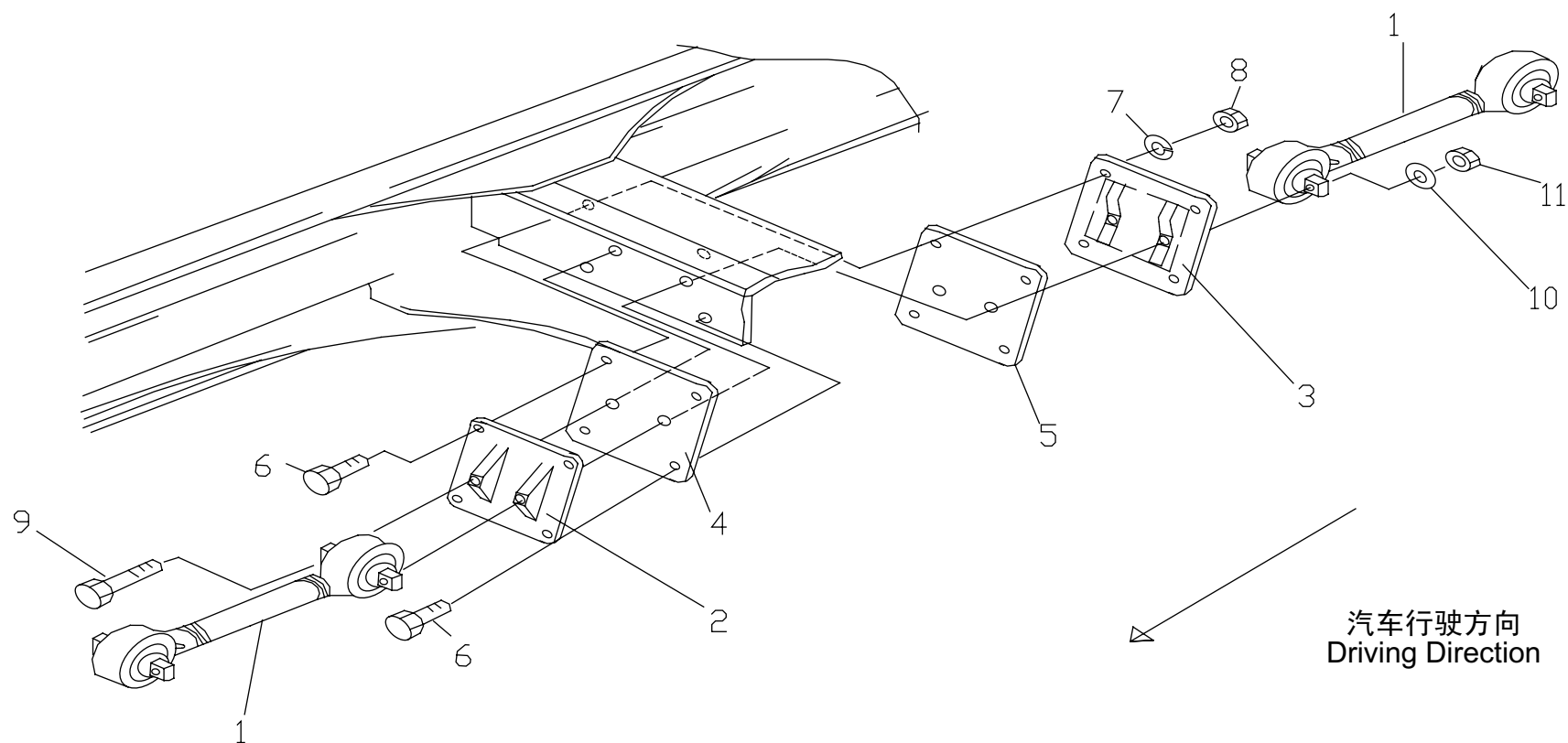
悬架系统 / SUSPENSION SYSTEM

29-84

| 序号<br>No.                                    | 件号<br>Part No. | 数量<br>Quantity                  | 名称<br>Name                      | 规格<br>Specification                          | 适用产品<br>Products Applied                         | 备注<br>Remark  |
|--|----------------|---------------------------------|---------------------------------|--|--|---|
| 4  | 29A4D-09421    | 1                               | 推力杆垫板<br>Distance Rod Mat Plate | 厚 4mm<br>4mm Thick                           | 斯太尔发动机配 STEYR 桥<br>STEYR Engine And STEYR Axle   | 中后桥轴距 1350mm 车型<br>Model W/Wheel Base<br>Between Intermediate<br>Axle And Rear Axle<br>1350mm |
|  |                |                                 |                                 |  | 康明斯发动机配 STEYR 桥<br>CUMMINS Engine And STEYR Axle |   |
|  |                |                                 |                                 |  | 斯太尔发动机配 457 桥<br>STEYR Engine And 457-Axle       |   |
| 康明斯发动机配 457 桥<br>CUMMINS Engine And 457-Axle |                |                                 |                                 |  |  |   |
| 29AHD-09421                                  | 1              | 推力杆垫板<br>Distance Rod Mat Plate | 厚 8mm<br>8mm Thick              | 日野发动机配 STEYR 桥<br>HINO Engine And STEYR Axle |  |   |
| 29AHD-09421                                  | 1              | 推力杆垫板<br>Distance Rod Mat Plate | 厚 8mm<br>8mm Thick              | 日野发动机配 457 桥<br>HINO Engine And 457-Axle     |  |   |
| 5  | 29AHD-09421    | 1                               | 推力杆垫板<br>Distance Rod Mat Plate | 厚 8mm<br>8mm Thick                           | 斯太尔发动机配 STEYR 桥<br>STEYR Engine And STEYR Axle   | 中后桥轴距 1350mm 车型<br>Model W/Wheel Base<br>Between Intermediate<br>Axle And Rear Axle<br>1350mm |
|  |                |                                 |                                 |  | 日野发动机配 STEYR 桥<br>HINO Engine And STEYR Axle     |   |
|  |                |                                 |                                 |  | 斯太尔发动机配 457 桥<br>STEYR Engine And 457-Axle       |   |
|  | 29A4D-09421    | 1                               | 推力杆垫板<br>Distance Rod Mat Plate | 厚 4mm<br>4mm Thick                           | 康明斯发动机配 STEYR 桥<br>CUMMINS Engine And STEYR Axle |   |
|  |                |                                 |                                 |  | 康明斯发动机配 457 桥<br>CUMMINS Engine And 457-Axle     |   |
|  |                |                                 |                                 | 日野发动机配 457 桥<br>HINO Engine And 457-Axle     |  |   |
| 6  | Q151B1485      | 4                               | 六角螺栓<br>Hexagon Bolt            |  |  | 中后桥轴距 1350mm 车型<br>Model W/Wheel Base<br>Between Intermediate<br>Axle And Rear Axle<br>1350mm |

## 推力杆装置图 II / DISTANCE ROD II

29-AC



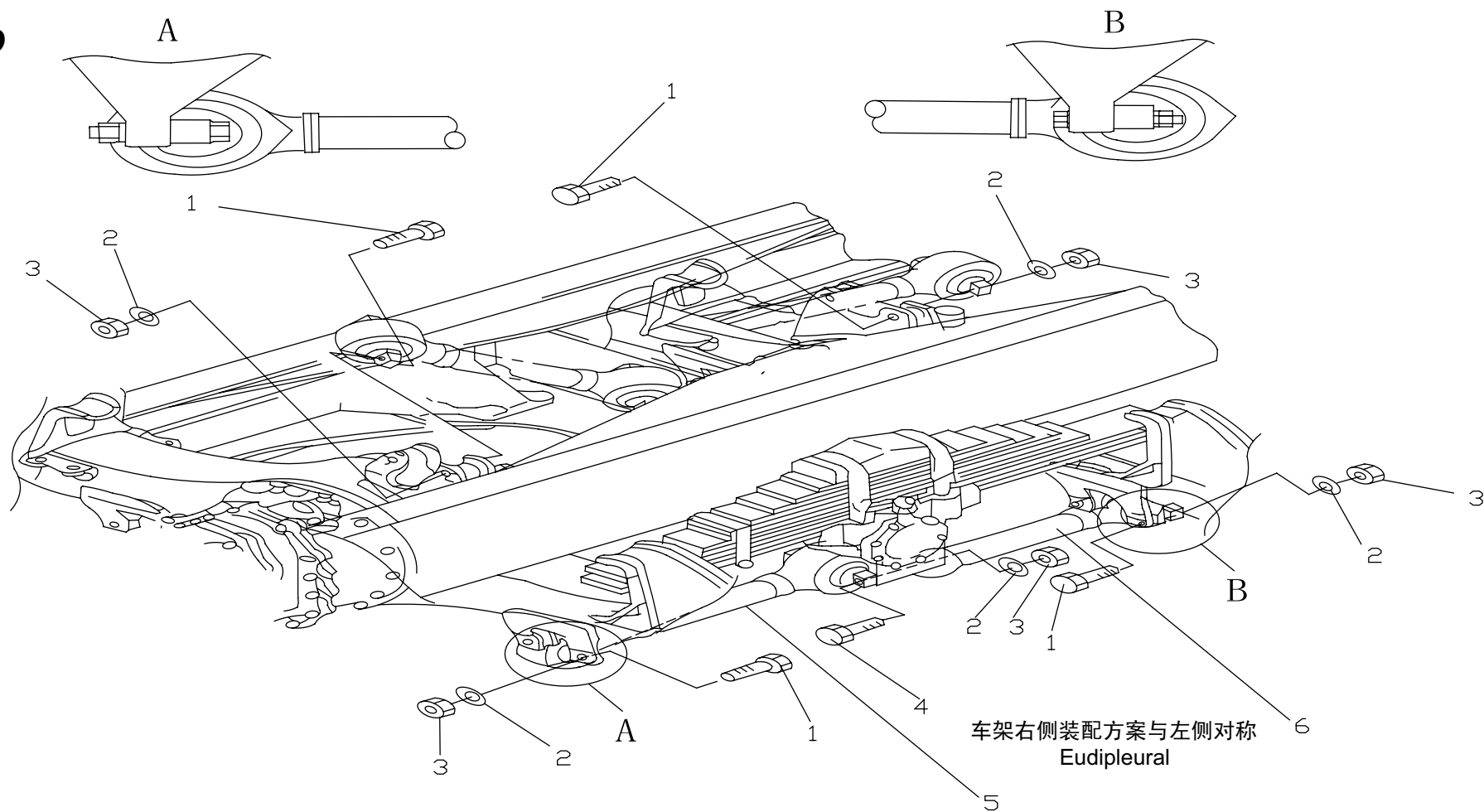
悬架系统 / SUSPENSION SYSTEM

29-86

| 序号<br>No. | 件号<br>Part No. | 数量<br>Quantity | 名称<br>Name                      | 规格<br>Specification | 适用产品<br>Products Applied                         | 备注<br>Remark  |
|-----------|----------------|----------------|---------------------------------|---------------------|--|---|
| 7         | Q40514         | 4              | 弹簧垫圈<br>Spring Washer           |                     |  | 中后桥轴距 1350mm 车型<br>Model W/Wheel Base<br>Between Intermediate<br>Axle And Rear Axle<br>1350mm |
| 8         | Q341B14        | 4              | 六角螺母<br>Hexagon Nut             |                     |  | 中后桥轴距 1350mm 车型<br>Model W/Wheel Base<br>Between Intermediate<br>Axle And Rear Axle<br>1350mm |
| 9         | 29A20D-49113   | 2              | 六角螺栓<br>Hexagon Bolt            | M20X1.5X295         | 斯太尔发动机配 STEYR 桥<br>STEYR Engine And STEYR Axle   | 中后桥轴距 1350mm 车型<br>Model W/Wheel Base<br>Between Intermediate<br>Axle And Rear Axle<br>1350mm |
|           |                |                |                                 |                     | 康明斯发动机配 457 桥<br>CUMMINS Engine And 457-Axle     |   |
|           |                |                |                                 |                     | 日野发动机配 457 桥<br>HINO Engine And 457-Axle         |   |
|           | 29A16D-49112   | 2              | 六角螺栓<br>Hexagon Bolt            | M20X1.5X310         | 康明斯发动机配 STEYR 桥<br>CUMMINS Engine And STEYR Axle |   |
|           |                |                |                                 |                     | 日野发动机配 STEYR 桥<br>HINO Engine And STEYR Axle     |   |
|           | 29A46D-49112   | 2              | 六角螺栓<br>Hexagon Bolt            | M20X1.5X260         | 斯太尔发动机配 457 桥<br>STEYR Engine And 457-Axle       |   |
| 10        | Q41920         | 2              | 锥形弹性垫圈<br>Conical Spring Washer |                     |  | 中后桥轴距 1350mm 车型<br>Model W/Wheel Base<br>Between Intermediate<br>Axle And Rear Axle<br>1350mm |
| 11        | Q341B20T13F3   | 2              | 六角螺母<br>Hexagon Nut             |                     |  | 中后桥轴距 1350mm 车型<br>Model W/Wheel Base<br>Between Intermediate<br>Axle And Rear Axle<br>1350mm |

推力杆装置图III / DISTANCE ROD III

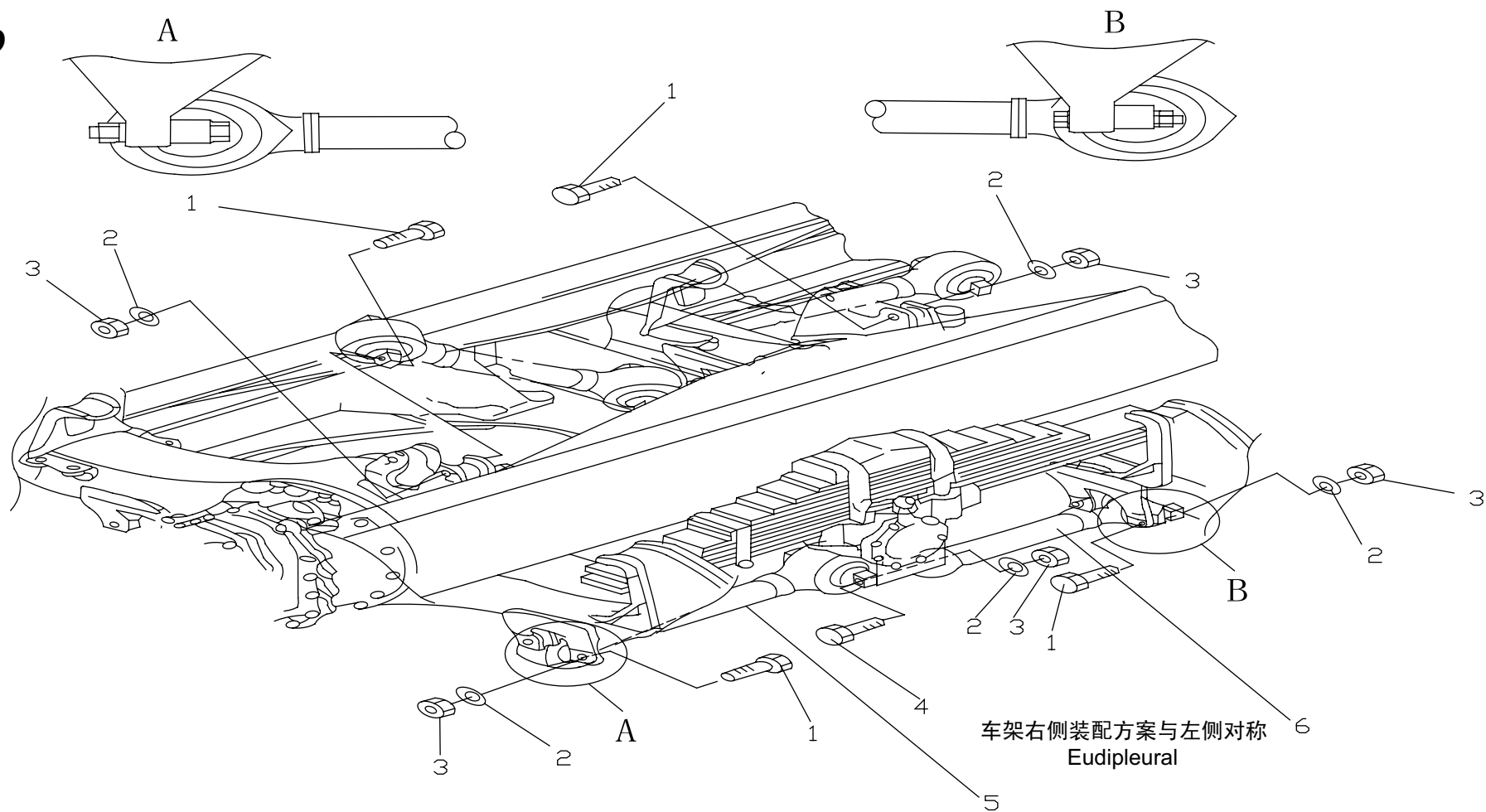
29-AD



| 序号<br>No. | 件号<br>Part No. | 数量<br>Quantity | 名称<br>Name                      | 规格<br>Specification | 适用产品<br>Products Applied   | 备注<br>Remark  |
|-----------|----------------|----------------|---------------------------------|---------------------|--|---|
| 1         | 29AD-09113     | 12             | 六角螺栓<br>Hexagon Bolt            |                     |  | 中后桥轴距 1310mm 车型<br>Model W/Wheel Base<br>Between Intermediate<br>Axle And Rear Axle<br>1310mm |
| 2         | Q41918         | 16             | 锥形弹性垫圈<br>Conical Spring Washer |                     |  | 中后桥轴距 1310mm 车型<br>Model W/Wheel Base<br>Between Intermediate<br>Axle And Rear Axle<br>1310mm |
| 3         | Q341B18 T13F3  | 16             | 六角螺母<br>Hexagon Nut             |                     |  | 中后桥轴距 1310mm 车型<br>Model W/Wheel Base<br>Between Intermediate<br>Axle And Rear Axle<br>1310mm |
| 4         | 29AD-09111     | 4              | 六角螺栓<br>Hexagon Bolt            |                     |  | 中后桥轴距 1310mm 车型<br>Model W/Wheel Base<br>Between Intermediate<br>Axle And Rear Axle<br>1310mm |
| 5         | 29A3D-09010    | 2              | 推力杆<br>Distance Rod             |                     | 康明斯发动机配斯太尔桥、457 或 435 桥<br>斯太尔发动机配 457 桥或 435 桥<br>CUMMINS Engine And STEYR/457/435-<br>Axle STEYR Engine And 457/435-Axle | 中后桥轴距 1310mm 车型<br>Model W/Wheel Base<br>Between Intermediate<br>Axle And Rear Axle<br>1310mm |
| 5         | 29AD-09010     | 2              | 推力杆<br>Distance Rod             |                     | 斯太尔发动机配斯太尔桥双后桥车型<br>STEYR Engine And STEYR Dual Rear<br>Axle   | 中后桥轴距 1310mm 车型<br>Model W/Wheel Base<br>Between Intermediate<br>Axle And Rear Axle<br>1310mm |
| 6         | 29A2D-09420    | 2              | 推力杆<br>Distance Rod             |                     | 康明斯、斯太尔发动机配斯太尔桥<br>CUMMINS, STEYR Engine And STEYR<br>Axle   | 中后桥轴距 1310mm 车型<br>Model W/Wheel Base<br>Between Intermediate<br>Axle And Rear Axle<br>1310mm |

# 推力杆装置图III / DISTANCE ROD III

29-AD





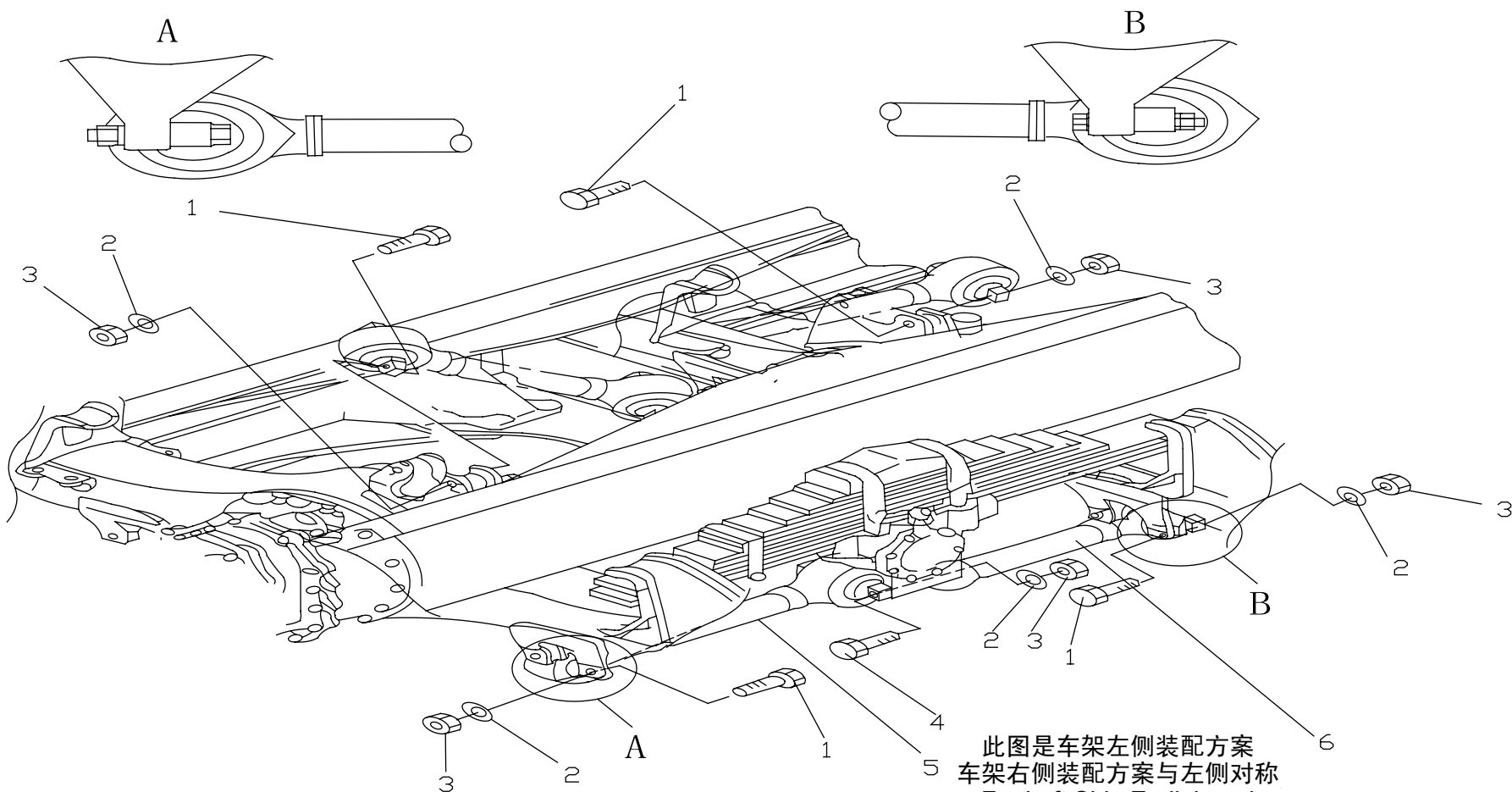
悬架系统 / SUSPENSION SYSTEM

29-90

| 序号<br>No. | 件号<br>Part No. | 数量<br>Quantity | 名称<br>Name          | 规格<br>Specification | 适用产品<br>Products Applied   | 备注<br>Remark  |
|-----------|----------------|----------------|---------------------|---------------------|--|---|
| 6         | 29A3D-09030    | 2              | 推力杆<br>Distance Rod |                     | 康明斯发动机配 457 桥<br>CUMMINS Engine And 457-Axle<br>斯泰尔发动机配 435 桥<br>STEYR Engine And 435-Axle | 中后桥轴距 1310mm 车型<br>Model W/Wheel Base<br>Between Intermediate<br>Axle And Rear Axle<br>1310mm |
| 6         | 29A4D-09020    | 2              | 推力杆<br>Distance Rod |                     | 康明斯发动机配 435 桥双后桥车型<br>CUMMINS Engine And 435 Dual Rear<br>Axle                             | 中后桥轴距 1310mm 车型<br>Model W/Wheel Base<br>Between Intermediate<br>Axle And Rear Axle<br>1310mm |
| 6         | 29AD-09020     | 2              | 推力杆<br>Distance Rod |                     | 斯太尔发动机配 457 桥双后桥车型<br>STEYR Engine And 457Dual Rear Axle                                   | 中后桥轴距 1310mm 车型<br>Model W/Wheel Base<br>Between Intermediate<br>Axle And Rear Axle<br>1310mm |

推力杆装置图IV / DISTANCE ROD IV

29-AE

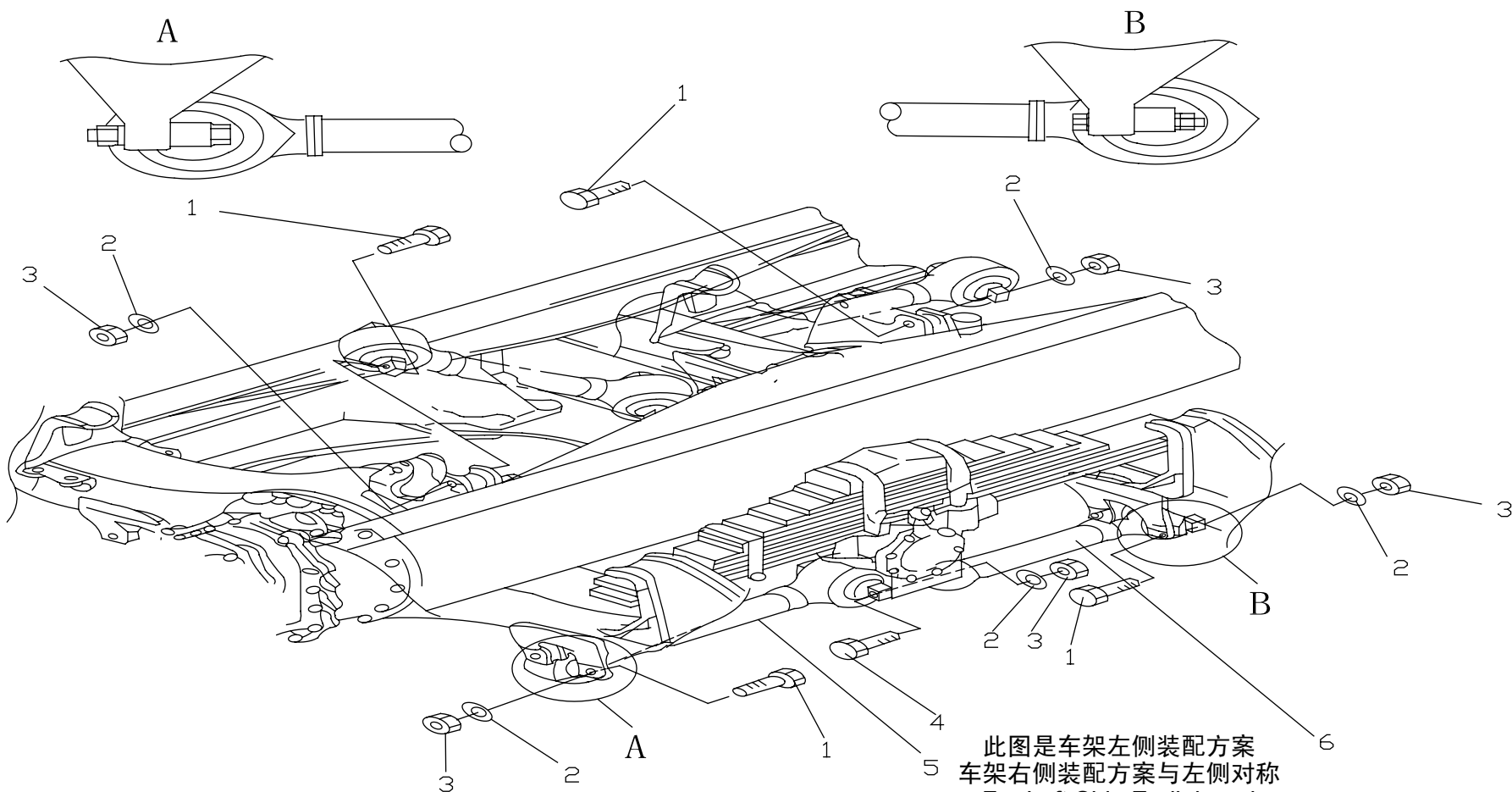


此图是车架左侧装配方案  
车架右侧装配方案与左侧对称  
For Left Side, Eudipleural

| 序号<br>No. | 件号<br>Part No. | 数量<br>Quantity | 名称<br>Name                      | 规格<br>Specification                            | 适用产品<br>Products Applied   | 备注<br>Remark  |
|-----------|----------------|----------------|---------------------------------|--|--|---|
| 1         | Q151B2090TF3   | 12             | 六角螺栓<br>Hexagon Bolt            |  |  | 中后桥轴距 1350mm 车型<br>W/Model W/Wheel<br>Base Between<br>Intermediate Axle And<br>Rear Axle 1350mm |
| 2         | Q41920         | 16             | 锥形弹性垫圈<br>Conical Spring Washer |  |  | 中后桥轴距 1350mm 车型<br>W/Model W/Wheel<br>Base Between<br>Intermediate Axle And<br>Rear Axle 1350mm |
| 3         | Q341B20T13F3   | 16             | 六角螺母<br>Hexagon Nut             |  |  | 中后桥轴距 1350mm 车型<br>W/Model W/Wheel<br>Base Between<br>Intermediate Axle And<br>Rear Axle 1350mm |
| 4         | 29A20D-49112   | 4              | 六角螺栓<br>Hexagon Bolt            | M20X1.5X245                                    |  | 中后桥轴距 1350mm 车型<br>W/Model W/Wheel<br>Base Between<br>Intermediate Axle And<br>Rear Axle 1350mm |
| 5         | 29AH4D-09450   | 2              | 推力杆<br>Distance Rod             | 长 616mm (偏 17°)<br>616mm Long<br>(Deviate 17°) | 斯太尔发动机配 STEYR 桥<br>W/STEYR Engine And STEYR Axle<br><br>康明斯发动机配 STEYR 桥<br>W/CUMMINS Engine And STEYR Axle<br><br>斯太尔发动机配 457 桥<br>W/STEYR Engine And 457-Axle<br><br>康明斯发动机配 457 桥<br>W/CUMMINS Engine And 457-Axle<br><br>日野发动机配 457 桥<br>W/HINO Engine And 457-Axle | 中后桥轴距 1350mm 车型<br>W/Model W/Wheel<br>Base Between<br>Intermediate Axle And<br>Rear Axle 1350mm |
|           | 29AHD-09460    | 2              | 推力杆<br>Distance Rod             | 长 610mm (偏 17°)<br>610mm Long<br>(Deviate 17°) | 日野发动机配 STEYR 桥<br>W/HINO Engine And STEYR Axle   |   |

# 推力杆装置图IV / DISTANCE ROD IV

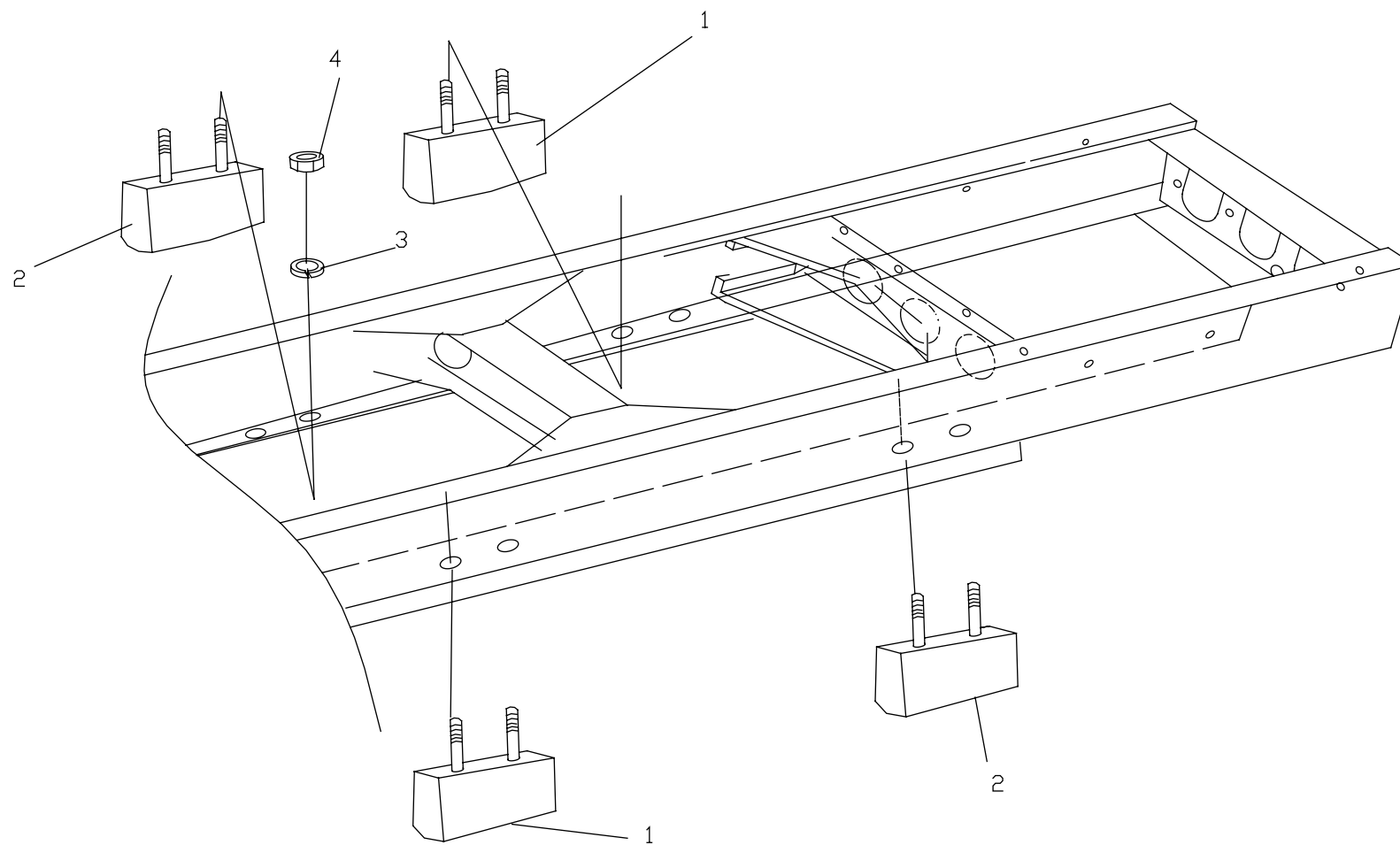
29-AE



| 序号<br>No. | 件号<br>Part No. | 数量<br>Quantity | 名称<br>Name          | 规格<br>Specification                              | 适用产品<br>Products Applied                         | 备注<br>Remark  |
|-----------|----------------|----------------|---------------------|--|--|---|
| 6         | 29AHD-09460    | 2              | 推力杆<br>Distance Rod | 长 610mm ( 偏 17° )<br>610mm Long<br>(Deviate 17°) | 斯太尔发动机配 STEYR 桥<br>STEYR Engine And STEYR Axle   | 中后桥轴距 1350mm<br>车型<br>Model W/Wheel<br>Base Between<br>Intermediate Axle<br>And Rear Axle<br>1350mm |
|           |                |                |                     |  | 康明斯发动机配 STEYR 桥<br>CUMMINS Engine And STEYR Axle |   |
|           |                |                |                     |  | 日野发动机配 STEYR 桥<br>HINO Engine And STEYR Axle     |   |
|           | 29AH4D-09460   | 2              | 推力杆<br>Distance Rod | 长 590mm ( 偏 17° )<br>590mm Long<br>(Deviate 17°) | 康明斯发动机配 457 桥<br>CUMMINS Engine And 457-Axle     |   |
|           |                |                |                     |  | 日野发动机配 457 桥<br>HINO Engine And 457-Axle         |   |
|           | 29AH2D-09460   | 2              | 推力杆<br>Distance Rod | 长 595mm ( 偏 17° )<br>595mm Long<br>(Deviate 17°) | 斯太尔发动机配 457 桥<br>STEYR Engine And 457-Axle       |   |

## 限位块装置图 I / LIMITING STOPPER I

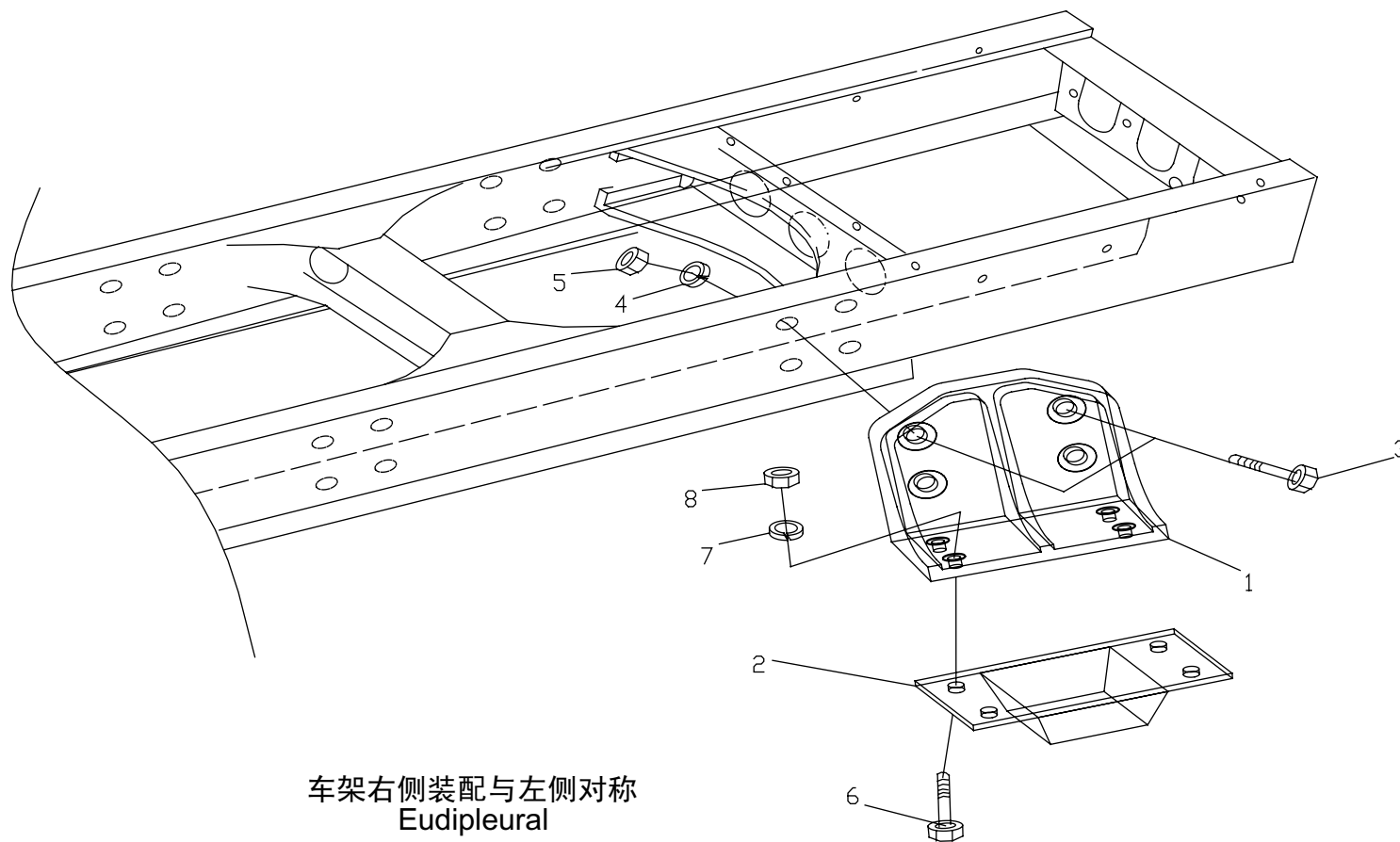
29-AF



| 序号<br>No. | 件号<br>Part No. | 数量<br>Quantity | 名称<br>Name              | 规格<br>Specification | 适用产品<br>Products Applied | 备注<br>Remark  |
|-----------|----------------|----------------|-------------------------|---------------------|--------------------------|---|
| 1         | 29AD-20050     | 2              | 限位块<br>Limiting Stopper |                     |                          | 中后桥轴距 1310mm<br>车型<br>Model W/Wheel<br>Base Between<br>Intermediate Axle<br>And Rear Axle<br>1310mm |
| 2         | 29AD-20030     | 2              | 限位块<br>Limiting Stopper |                     |                          | 中后桥轴距 1310mm<br>车型<br>Model W/Wheel<br>Base Between<br>Intermediate Axle<br>And Rear Axle<br>1310mm |
| 3         | Q40512         | 8              | 弹性垫圈<br>Spring Washer   |                     |                          |   |
| 4         | Q341B12        | 8              | 六角螺母<br>Hexagon Nut     |                     |                          |   |

## 限位块装置图 II / LIMITING STOPPER II

29-AG





| 序号<br>No. | 件号<br>Part No. | 数量<br>Quantity | 名称<br>Name                        | 规格<br>Specification | 适用产品<br>Products Applied | 备注<br>Remark  |
|-----------|----------------|----------------|-----------------------------------|---------------------|--------------------------|---|
| 1         | 29AHD-20435    | 4              | 限位块支架<br>Limiting Stopper Bracket |                     |                          | 中后桥轴距 1350mm<br>车型<br>Model W/Wheel<br>Base Between<br>Intermediate Axle<br>And Rear Axle<br>1350mm |
| 2         | 29AHD-20030    | 4              | 限位块<br>Limiting Stopper           |                     |                          | 中后桥轴距 1350mm<br>车型<br>Model W/Wheel<br>Base Between<br>Intermediate Axle<br>And Rear Axle<br>1350mm |
| 3         | Q150B1455      | 16             | 六角螺栓<br>Hexagon Bolt              |                     |                          |   |
| 4         | Q40314         | 16             | 弹性垫圈<br>Spring Washer             |                     |                          |   |
| 5         | Q340B14        | 16             | 六角螺母<br>Hexagon Nut               |                     |                          |   |
| 6         | Q150B0830      | 16             | 六角螺栓<br>Hexagon Bolt              |                     |                          |   |
| 7         | Q40308         | 16             | 弹性垫圈<br>Spring Washer             |                     |                          |   |
| 8         | Q340B08        | 16             | 六角螺母<br>Hexagon Nut               |                     |                          |   |



30

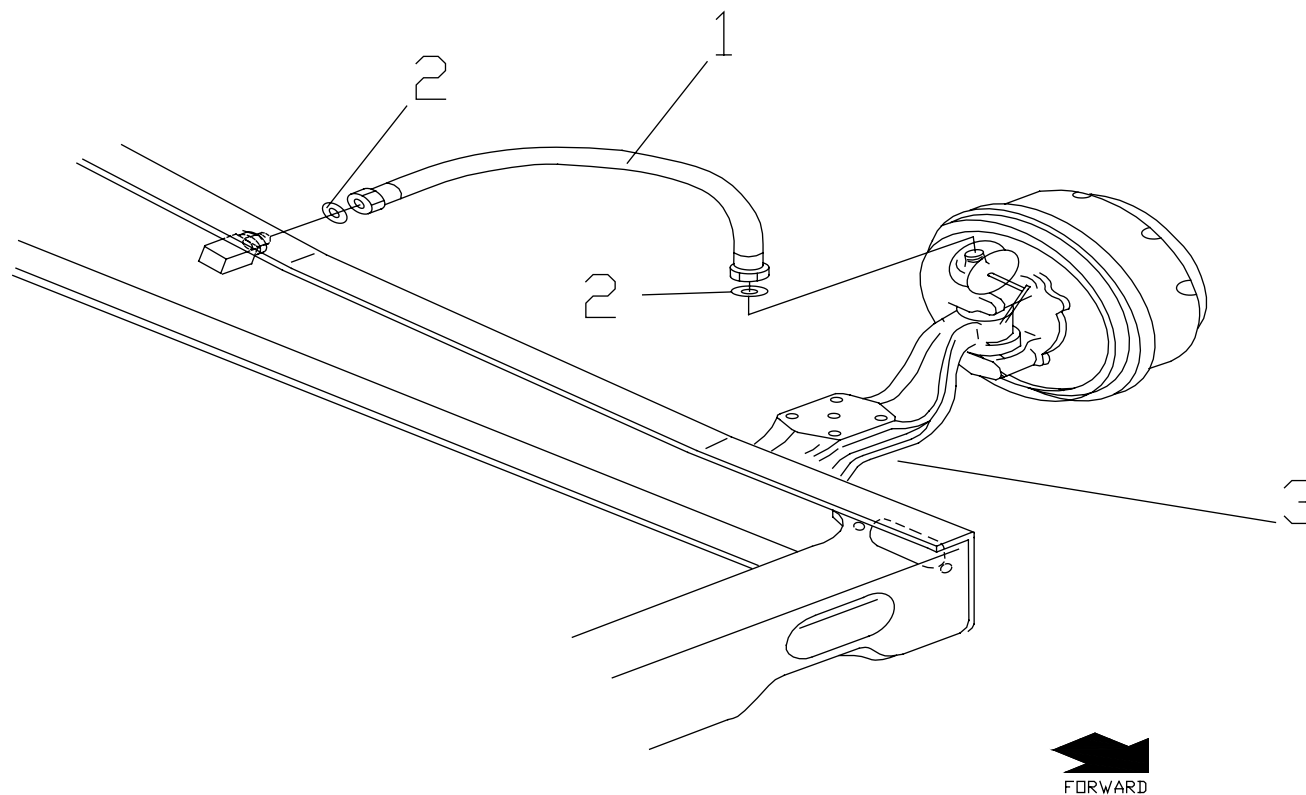
**前轴系统**

***FRONT AXLE***

***SYSTEM***

## 解放前轴管路图 / JIEFANG FRONT AXLE LINE

30-A



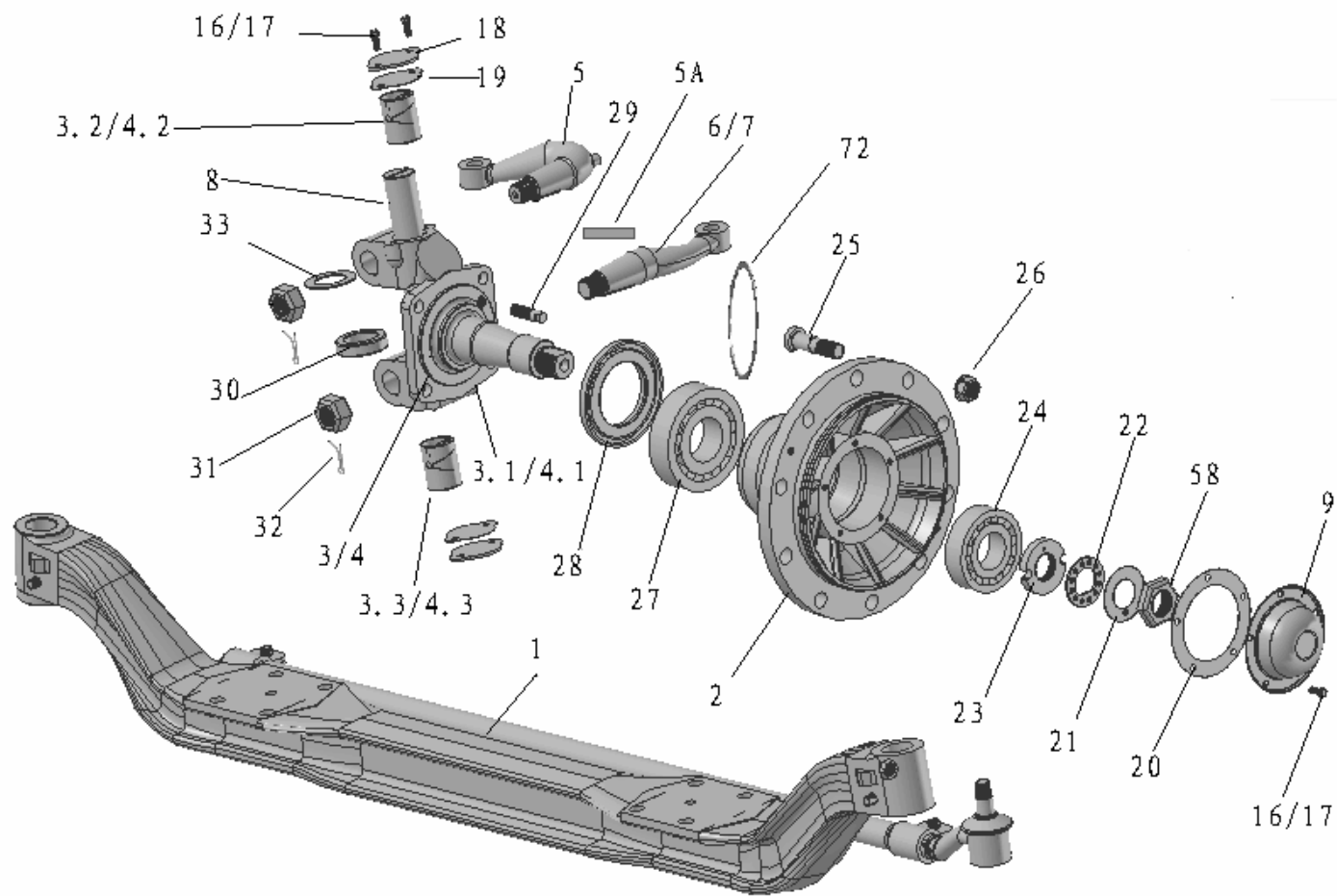
## 前轴系统 / FRONT AXLE SYSTEM

30-2

| 序号<br>No. | 件号<br>Part No. | 数量<br>Quantity | 名称<br>Name                    | 规格<br>Specification | 适用产品<br>Products Applied | 备注<br>Remark              |
|-----------|----------------|----------------|-------------------------------|---------------------|--------------------------|---------------------------|
| 1         | 35AD-06035     | 2              | 橡胶管总成<br>Rubber Tube Assembly |                     |                          | 左右各一根<br>One On Each Side |
| 2         | Q72314         | 4              | 密封垫圈<br>Seal Washer           |                     |                          |                           |
| 3         | 3000AD-010     | 1              | 前轴<br>Front Axle              |                     |                          |                           |

## 解放前轴展开图 / JIEFANG FRONT AXLE

30-B



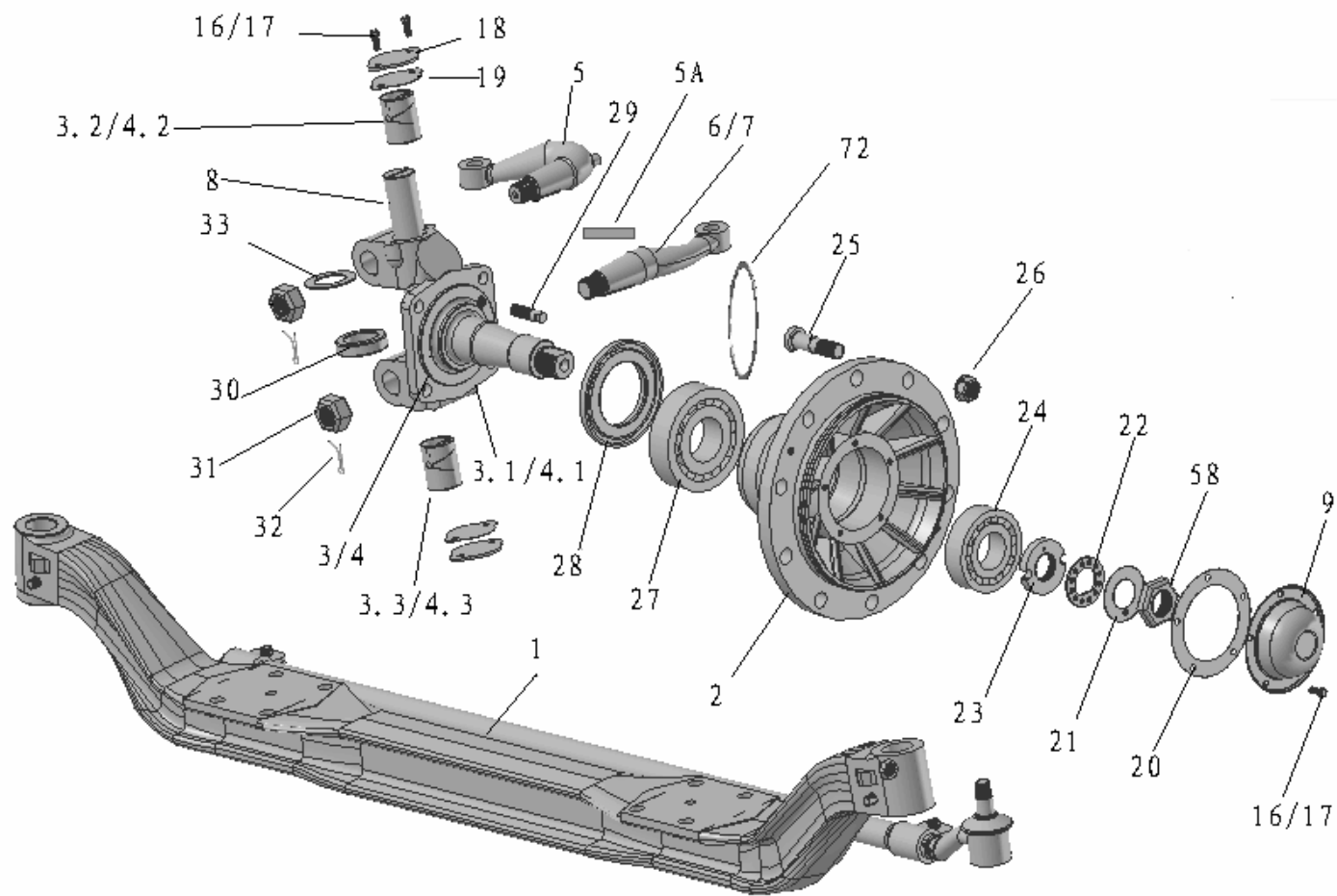
## 前轴系统 / FRONT AXLE SYSTEM

30-4

| 序号<br>No. | 件号<br>Part No. | 数量<br>Quantity | 名称<br>Name  | 规格<br>Specification | 适用产品<br>Products Applied | 备注<br>Remark |
|-----------|----------------|----------------|---|---------------------|--------------------------|--------------|
| 1         | 3001011-4E     | 1              | 前轴<br>Front Axle                                      | 457                 |                          |              |
| 2         | 3103011-Q184   | 2              | 前轮毂<br>Front Hub                                      |                     |                          |              |
| 3         | 3001050-Q184   | 1              | 左转向节及衬套总成<br>Steering Knuckle LH And Bushing Assembly |                     |                          |              |
| 3.1       | 3001021-Q184   | 1              | 左转向节<br>Steering Knuckle LH                           |                     |                          |              |
| 3.2       | 3001026-4E     | 2              | 衬套 - 转向节<br>Bushing-Steering Knuckle                  |                     |                          |              |
| 4         | 3001020-Q184   | 1              | 右转向节及衬套总成<br>Steering Knuckle RH And Bushing Assembly |                     |                          |              |
| 4.1       | 3001022-Q184   | 1              | 右转向节<br>Steering Knuckle RH                           |                     |                          |              |
| 4.2       | 3001026-4E     | 2              | 衬套 - 转向节<br>Bushing-Steering Knuckle                  |                     |                          |              |
| 5         | 3001034-A1H    | 1              | 转向节上臂<br>Steering Knuckle Upper Arm                   |                     |                          |              |
| 5A        | Q5510832       | 3              | 键<br>Key  |                     |                          |              |
| 6         | 3001031-A1H    | 1              | 左转向节臂<br>Steering Knuckle Arm LH                      |                     |                          |              |
| 7         | 3001032-A1H    | 1              | 右转向节臂<br>Steering Knuckle Arm RH                      |                     |                          |              |
| 8         | 3001044-4E     | 2              | 主销<br>King Pin  |                     |                          |              |
| 9         | 3103066-4E     | 2              | 盖 - 前轮轮毂<br>Cover-Front Wheel Hub                     |                     |                          |              |

## 解放前轴展开图 / JIEFANG FRONT AXLE

30-B





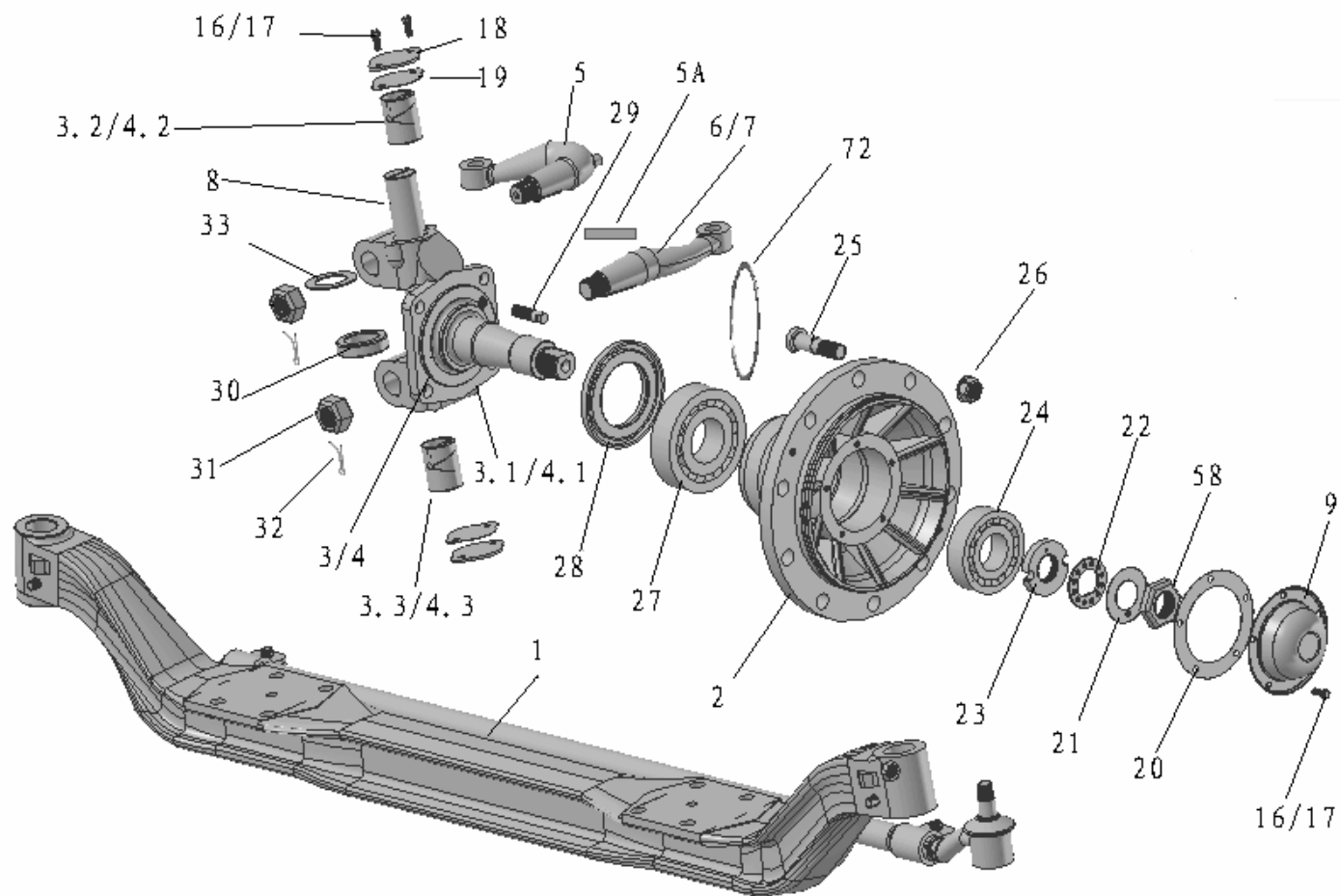
## 前轴系统 / FRONT AXLE SYSTEM

30-6

| 序号<br>No. | 件号<br>Part No. | 数量<br>Quantity | 名称<br>Name                                       | 规格<br>Specification | 适用产品<br>Products Applied | 备注<br>Remark |
|-----------|----------------|----------------|--|---------------------|--------------------------|--------------|
| 10        | 3501571-Q184   | 2              | 前制动鼓<br>Front Brake Drum                         |                     |                          |              |
| 11.1      | 3501390-4E     | 4              | 前制动蹄片总成<br>Front Brake Shoe Assembly             |                     |                          |              |
| 11.1.1    | 3501391-4E     | 4              | 前制动蹄<br>Front Brake Shoe                         |                     |                          |              |
| 11.1.2    | 3502407-02     | 8              | 前制动摩擦片<br>Front Brake Lining                     |                     |                          |              |
| 11.1.3    | 3501408-4E     | 48             | 铆钉<br>Rivet                                      |                     |                          |              |
| 11.1.4    | 3501396-4E     | 4              | 衬套 - 制动蹄<br>Bushing- Brake Shoe                  |                     |                          |              |
| 11.2      | 3501397-02     | 4              | 滚轮 - 制动蹄<br>Roller-Brake Shoe                    |                     |                          |              |
| 11.3      | 3501398-02     | 4              | 滚轮轴 - 制动蹄<br>Roller Shaft-Brake Shoe             |                     |                          |              |
| 11.4      | 3501393-4E     | 4              | 弹簧挂销<br>Spring Hanger Pin                        |                     |                          |              |
| 12        | 3501015-4E     | 1              | 前左制动底板总成<br>Front Brake Bottom Plate Assembly LH |                     |                          |              |
| 12.1      | 3501021-4E     | 1              | 前左制动底板<br>Front Brake Bottom Plate LH            |                     |                          |              |
| 12.2      | 3501129-02     | 2              | 衬套<br>Bushing                                    |                     |                          |              |
| 13        | 3501020-4E     | 1              | 前右制动底板总成<br>Front Brake Bottom Plate Assembly RH |                     |                          |              |
| 13.1      | 3501022-4E     | 1              | 前右制动底板<br>Front Brake Bottom Plate RH            |                     |                          |              |

## 解放前轴展开图 / JIEFANG FRONT AXLE

30-B



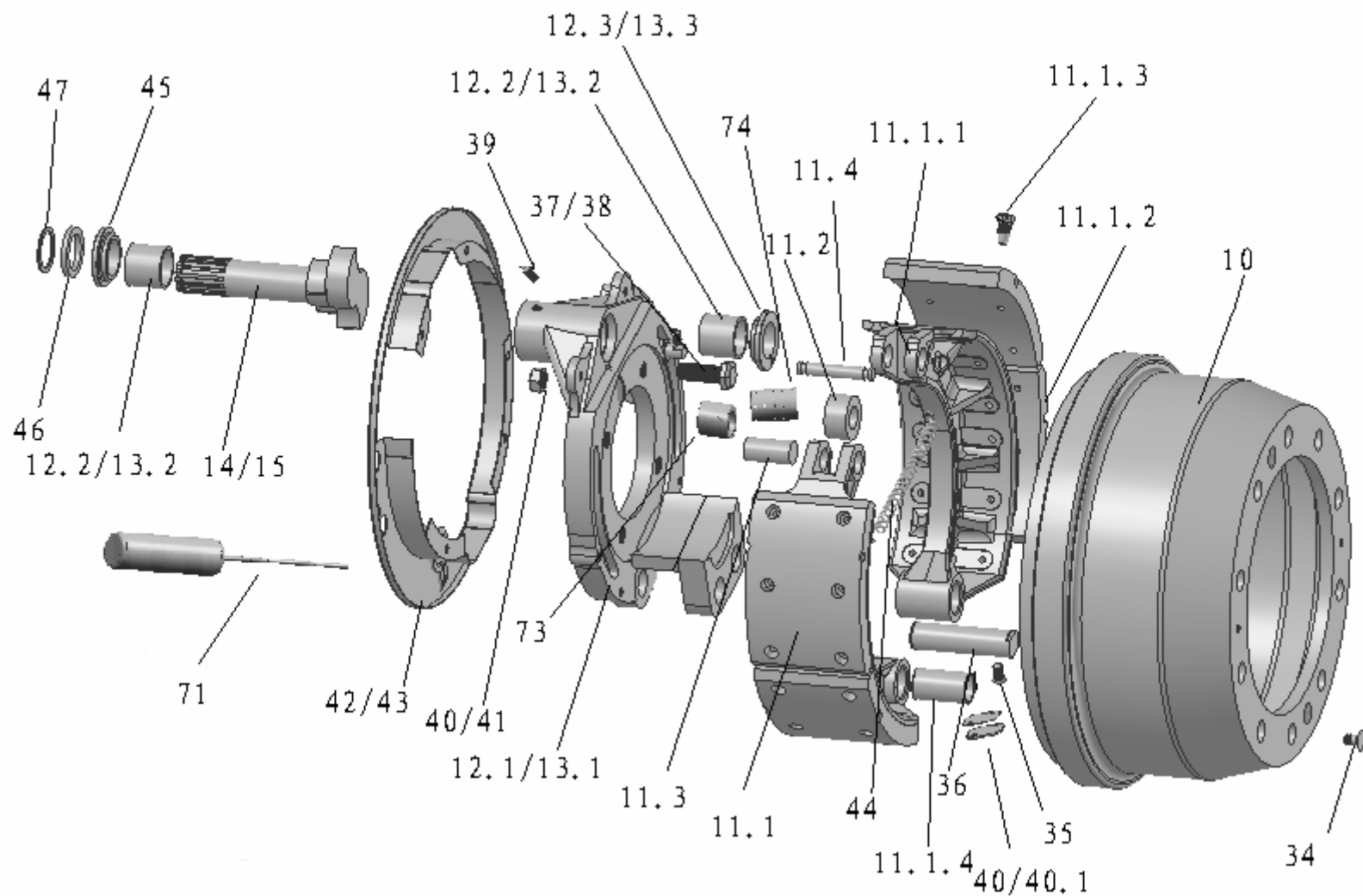
## 前轴系统 / FRONT AXLE SYSTEM

30-8

| 序号<br>No. | 件号<br>Part No. | 数量<br>Quantity | 名称<br>Name                                | 规格<br>Specification | 适用产品<br>Products Applied | 备注<br>Remark |
|-----------|----------------|----------------|---|---------------------|--------------------------|--------------|
| 13.2      | 3501129-02     | 2              | 衬套<br>Bushing                             |                     |                          |              |
| 14        | 3501151-4E     | 1              | 前左制动凸轮<br>Front Brake Cam LH              |                     |                          |              |
| 15        | 3501152-4E     | 1              | 前右制动凸轮<br>Front Brake Cam RH              |                     |                          |              |
| 16        | CQ1500816      | 10             | 螺栓<br>Bolt                                |                     |                          |              |
| 17        | Q40308         | 10             | 弹簧垫圈<br>Spring Washer                     |                     |                          |              |
| 18        | 3001047-4E     | 2              | 盖板<br>Cover Plate                         |                     |                          |              |
| 19        | 3001048-4E     | 2              | 垫密片 - 盖板<br>Seal Washer-Cover Plate       |                     |                          |              |
| 20        | 3103067-4EA1   | 2              | 垫密片 - 前轮轮毂<br>Seal Washer-Front Wheel Hub |                     |                          |              |

## 解放前轴展开图 / JIEFANG FRONT AXLE

30-C



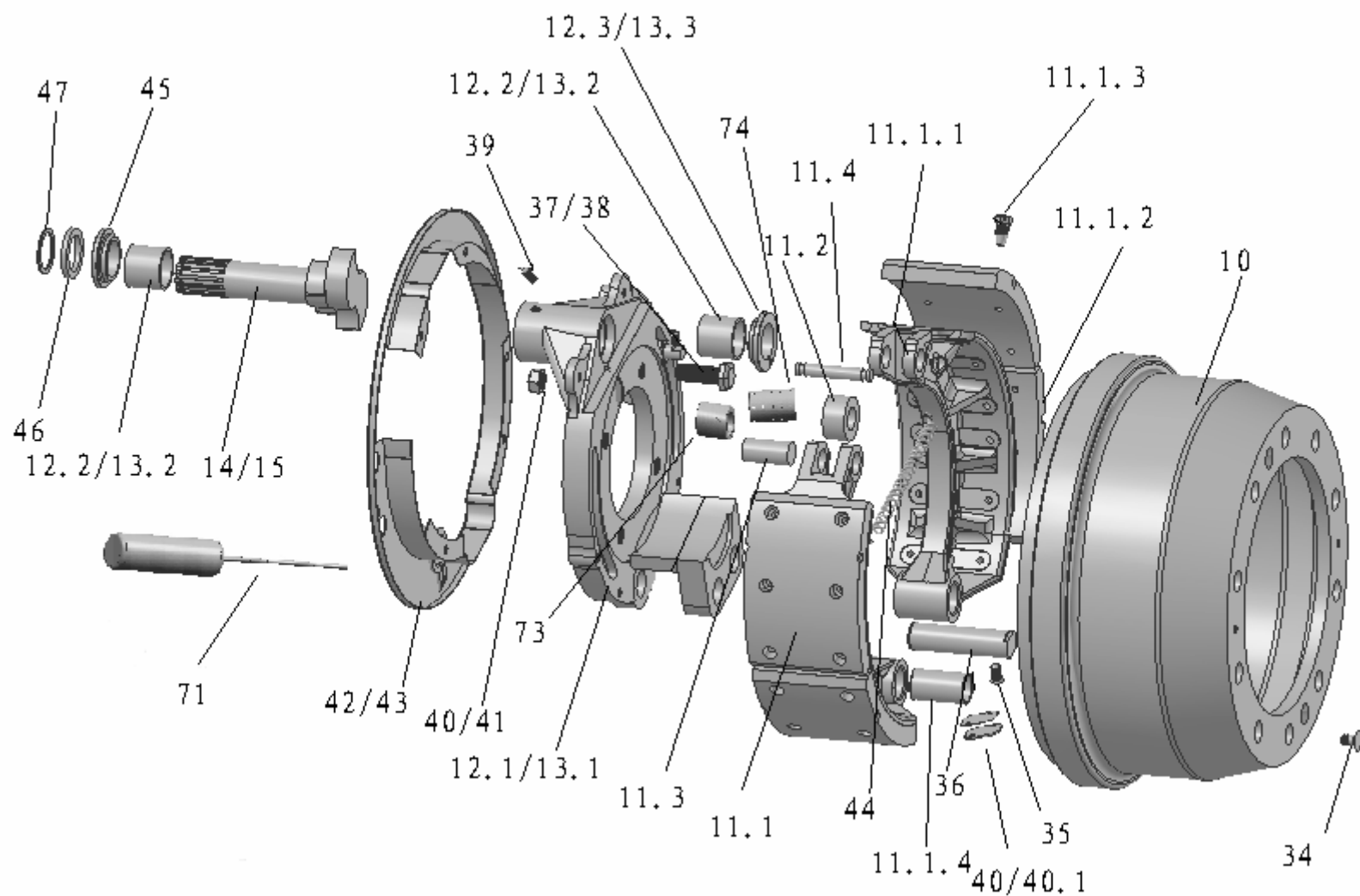
## 前轴系统 / FRONT AXLE SYSTEM

30-10

| 序号<br>No. | 件号<br>Part No. | 数量<br>Quantity | 名称<br>Name                                  | 规格<br>Specification | 适用产品<br>Products Applied | 备注<br>Remark |
|-----------|----------------|----------------|---|---------------------|--------------------------|--------------|
| 21        | 3001064-4E     | 2              | 锁紧垫圈<br>Lock Washer                         |                     |                          |              |
| 22        | 3001063-4E     | 2              | 锁环<br>Lock Ring                             |                     |                          |              |
| 23        | 3001060-4E     | 2              | 调整螺母<br>Adjusting Nut                       |                     |                          |              |
| 24        | 7611E          | 2              | 滚子轴承<br>Roller Bearing                      |                     |                          |              |
| 25        | 3103051-Q402B  | 20             | 车轮螺栓<br>Wheel Bolt                          |                     |                          |              |
| 27        | 7614E          | 2              | 滚子轴承<br>Roller Bearing                      |                     |                          |              |
| 28        | 3103045-4E     | 2              | 油封总成<br>Oil Seal Assembly                   |                     |                          |              |
| 29        | 3001036-4E     | 2              | 止柱<br>Thrust Bar                            |                     |                          |              |
| 30        | 329910A        | 2              | 阻尼止推轴承<br>Damping Thrust Bearing            |                     |                          |              |
| 31        | CQ38736        | 2              | 螺母<br>Nut                                   |                     |                          |              |
| 32        | Q5006070       | 2              | 开口销<br>Cotter Pin                           |                     |                          |              |
| 33        | 3001041-4E     | 2              | 调整垫圈<br>Adjusting Washer                    |                     |                          |              |
| 34        | CQ2541025      | 4              | 十字槽沉头螺钉<br>Cross Recessed Countersunk Screw |                     |                          |              |
| 35        | CQ1501016      | 2              | 螺钉<br>Screw                                 |                     |                          |              |

## 解放前轴展开图 / JIEFANG FRONT AXLE

30-C



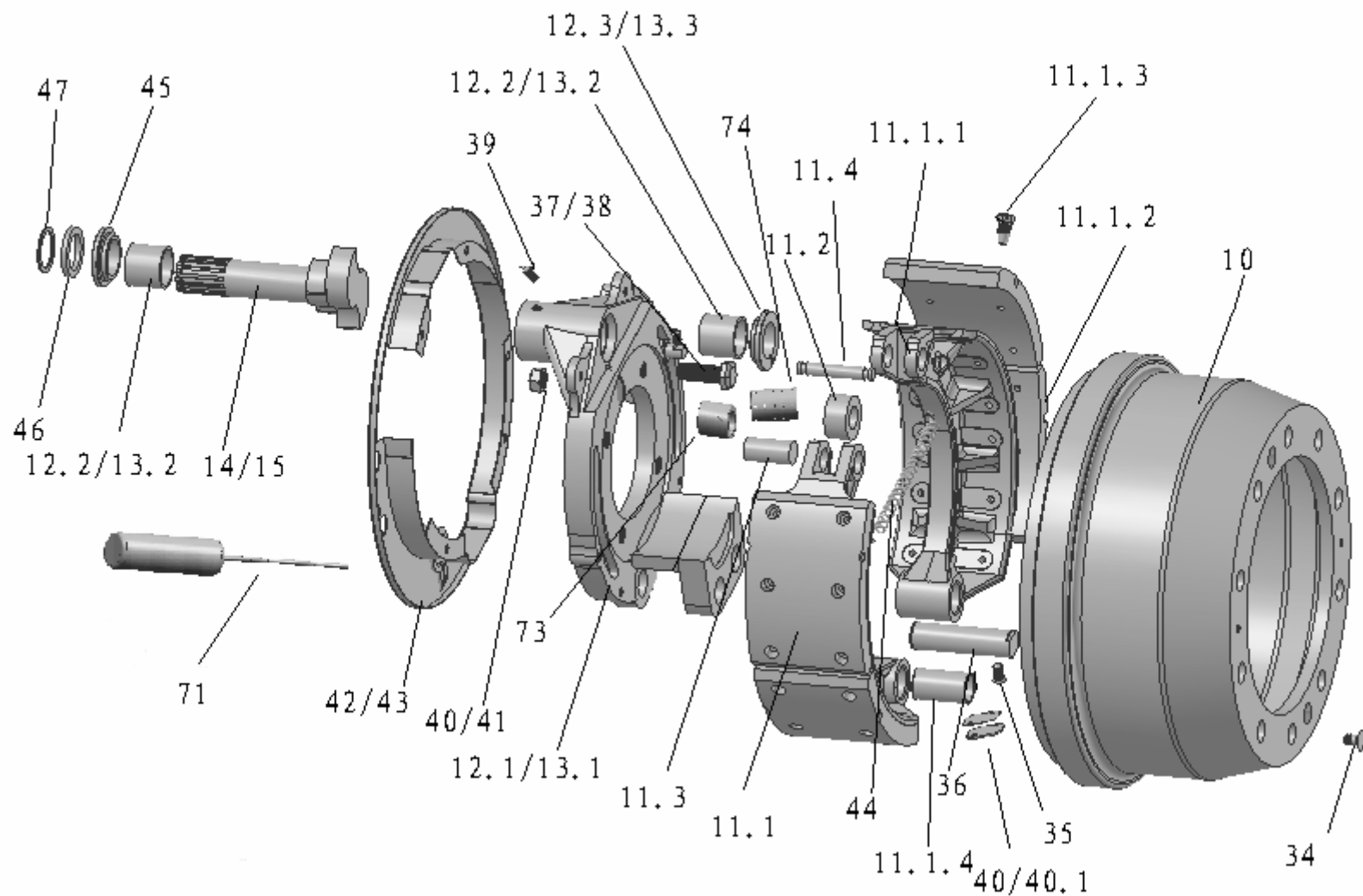
## 前轴系统 / FRONT AXLE SYSTEM

30-12

| 序号<br>No. | 件号<br>Part No. | 数量<br>Quantity | 名称<br>Name                        | 规格<br>Specification | 适用产品<br>Products Applied | 备注<br>Remark |
|-----------|----------------|----------------|-----------------------------------|---------------------|--------------------------|--------------|
| 36        | 3501082-4E     | 4              | 蹄片轴<br>Brake Shoe Shaft           |                     |                          |              |
| 37        | CQ1501045      | 8              | 螺栓<br>Bolt                        |                     |                          |              |
| 38        | Q40310         | 8              | 弹簧垫圈<br>Spring Washer             |                     |                          |              |
| 39        | CQ70001        | 2              | 直径滑脂嘴<br>Diameter Grease Nipple   |                     |                          |              |
| 40        | 3501086-4E     | 2              | 蹄片轴挡板<br>Brake Shoe Shaft Baffle  |                     |                          |              |
| 40.1      | 3501087-4E     | 2              | 锁片<br>Locking Plate               |                     |                          |              |
| 41        | CQ34010        | 8              | 螺母<br>Nut                         |                     |                          |              |
| 42        | 3501031-4E     | 2              | 挡尘盘(上)<br>Dust Guard Dish(Upper)  |                     |                          |              |
| 43        | 3501032-4E     | 2              | 挡尘盘(下)<br>Dust Guard Dish(Lower)  |                     |                          |              |
| 44        | 3501436-4E     | 2              | 回动弹簧<br>Retracting Spring         |                     |                          |              |
| 45        | 3501134-4E     | 2              | 制动凸轮轴垫环<br>Brake Camshaft Grommet |                     |                          |              |
| 46        | 3501156-01     | 2              | 调节垫圈<br>Adjusting Washer          |                     |                          |              |
| 47        | 3501157-01     | 2              | 垫圈<br>Washer                      |                     |                          |              |
| 48        | 3001046-4E     | 2              | 楔形锁销<br>Wedge Lock Pin            |                     |                          |              |

## 解放前轴展开图 / JIEFANG FRONT AXLE

30-C





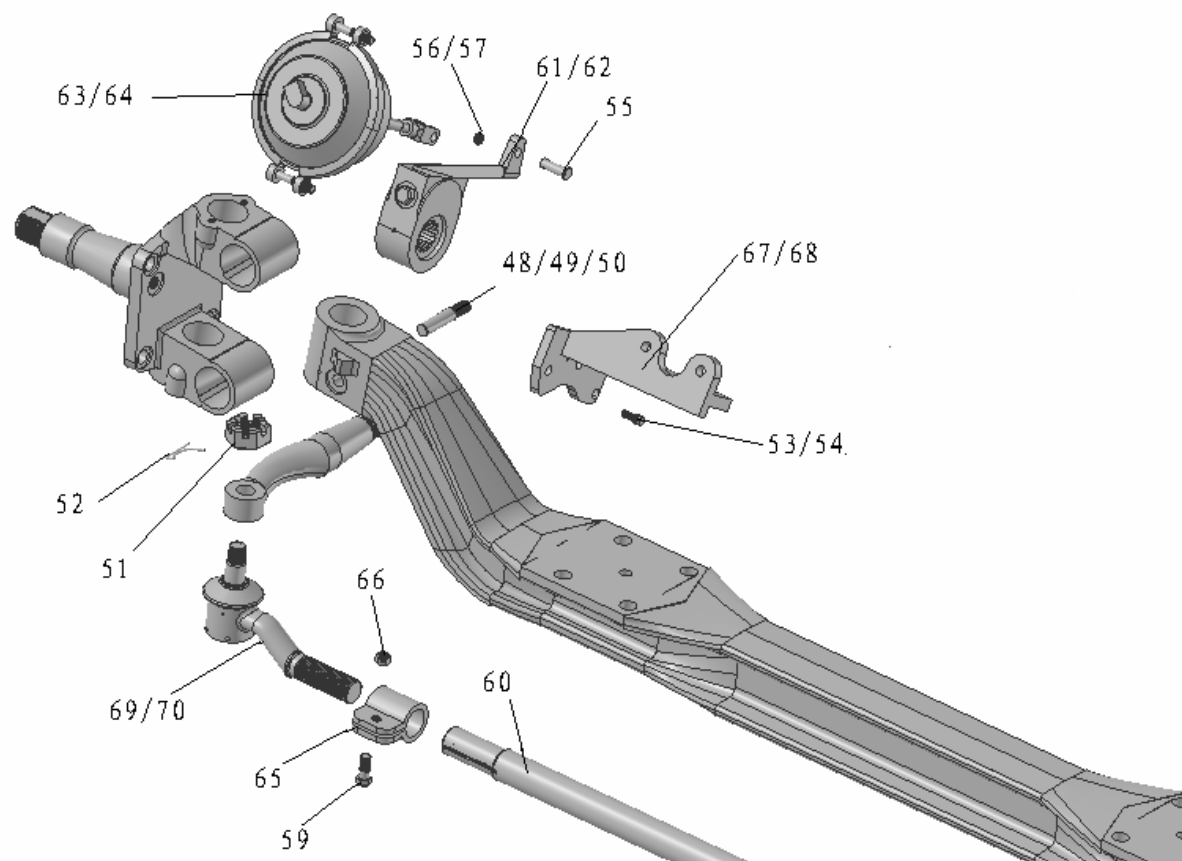
## 前轴系统 / FRONT AXLE SYSTEM

30-14

| 序号<br>No. | 件号<br>Part No. | 数量<br>Quantity | 名称<br>Name            | 规格<br>Specification | 适用产品<br>Products Applied | 备注<br>Remark |
|-----------|----------------|----------------|-----------------------|---------------------|--------------------------|--------------|
| 49        | Q40314         | 2              | 弹簧垫圈<br>Spring Washer |                     |                          |              |
| 50        | CQ34014        | 2              | 螺母<br>Nut             |                     |                          |              |
| 51        | CQ38736        | 1              | 螺母<br>Nut             |                     |                          |              |
| 52        | Q5006070       | 1              | 开口销<br>Cotter Pin     |                     |                          |              |
| 53        | CQ1501045      | 8              | 螺栓<br>Bolt            |                     |                          |              |
| 54        | CQ34010        | 8              | 螺母<br>Nut             |                     |                          |              |
| 55        | Q5101238       | 2              | 平头销<br>Flat Head Pin  |                     |                          |              |
| 56        | Q40112         | 2              | 平垫圈<br>Plate Washer   |                     |                          |              |

## 解放前轴展开图 / JIEFANG FRONT AXLE

30-D



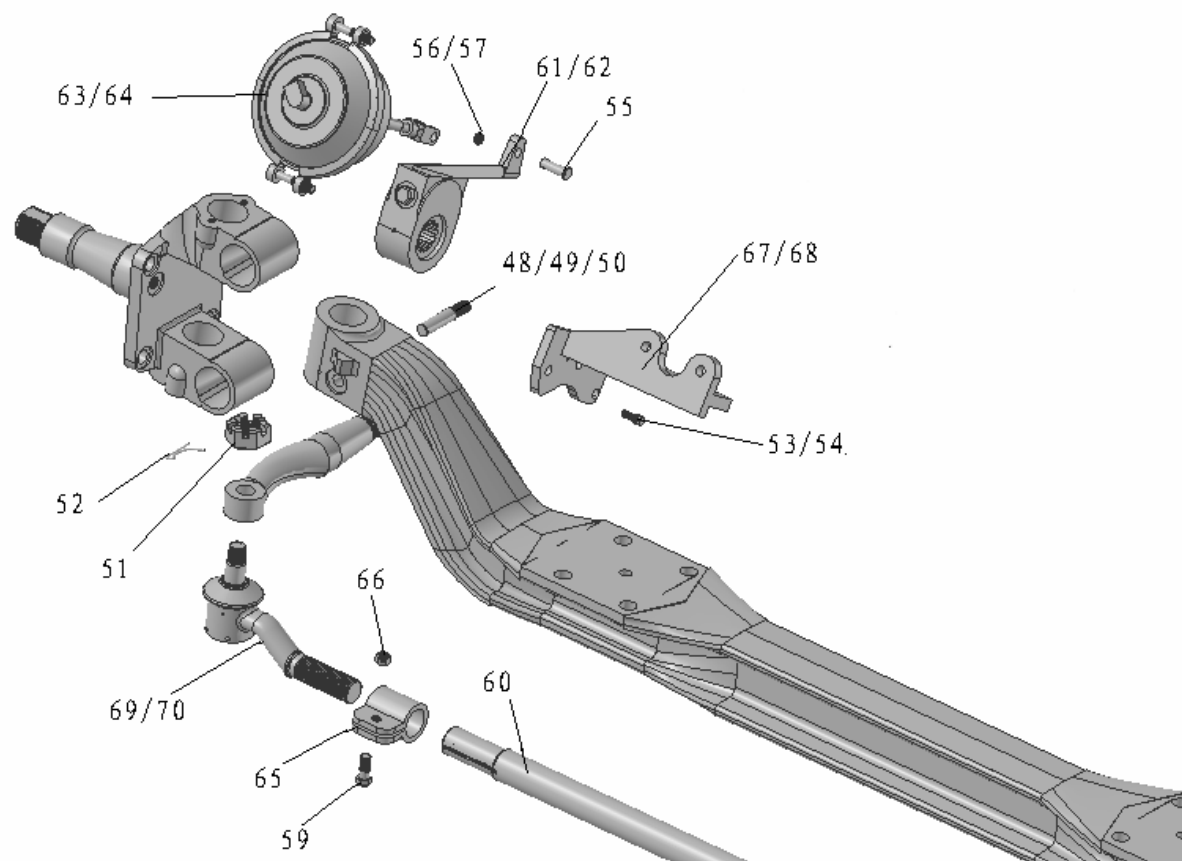
## 前轴系统 / FRONT AXLE SYSTEM

30-16

| 序号<br>No. | 件号<br>Part No. | 数量<br>Quantity | 名称<br>Name                                  | 规格<br>Specification | 适用产品<br>Products Applied | 备注<br>Remark |
|-----------|----------------|----------------|---|---------------------|--------------------------|--------------|
| 57        | Q5004030       | 2              | 开口销<br>Cotter Pin                           |                     |                          |              |
| 58        | 3001066-4E     | 2              | 锁紧螺母<br>Lock Nut                            |                     |                          |              |
| 59        | CQ1501460      | 2              | 螺栓<br>Bolt                                  |                     |                          |              |
| 60        | 3003054-1H     | 1              | 转向横拉杆<br>Steering Tie Rod                   |                     |                          |              |
| 61        | 3501205-1H     | 1              | 左调整臂总成<br>Adjusting Arm Assembly LH         |                     |                          |              |
| 62        | 3501210-1H     | 1              | 右调整臂总成<br>Adjusting Arm Assembly RH         |                     |                          |              |
| 63        | 3519110-8N     | 1              | 左气室<br>Left Chamber                         |                     |                          |              |
| 64        | 3519115-8N     | 1              | 右气室<br>Right Chamber                        |                     |                          |              |
| 65        | 3003056-1H     | 2              | 紧固夹<br>Fixing Clamp Tighten                 |                     |                          |              |
| 66        | CQ34014        | 2              | 自锁螺母<br>Self Lock Nut                       |                     |                          |              |
| 67        | 3501125-1H     | 1              | 左支架及衬套总成<br>Bracket LH And Bushing Assembly |                     |                          |              |
| 68        | 3501130-1H     | 1              | 右支架及衬套总成<br>Bracket RH And Bushing Assembly |                     |                          |              |
| 69        | 3003055-1H     | 1              | 左接头总成<br>Connector Assembly LH              |                     |                          |              |
| 70        | 3003060-1H     | 1              | 右接头总成<br>Connector Assembly RH              |                     |                          |              |

## 解放前轴展开图 / JIEFANG FRONT AXLE

30-D



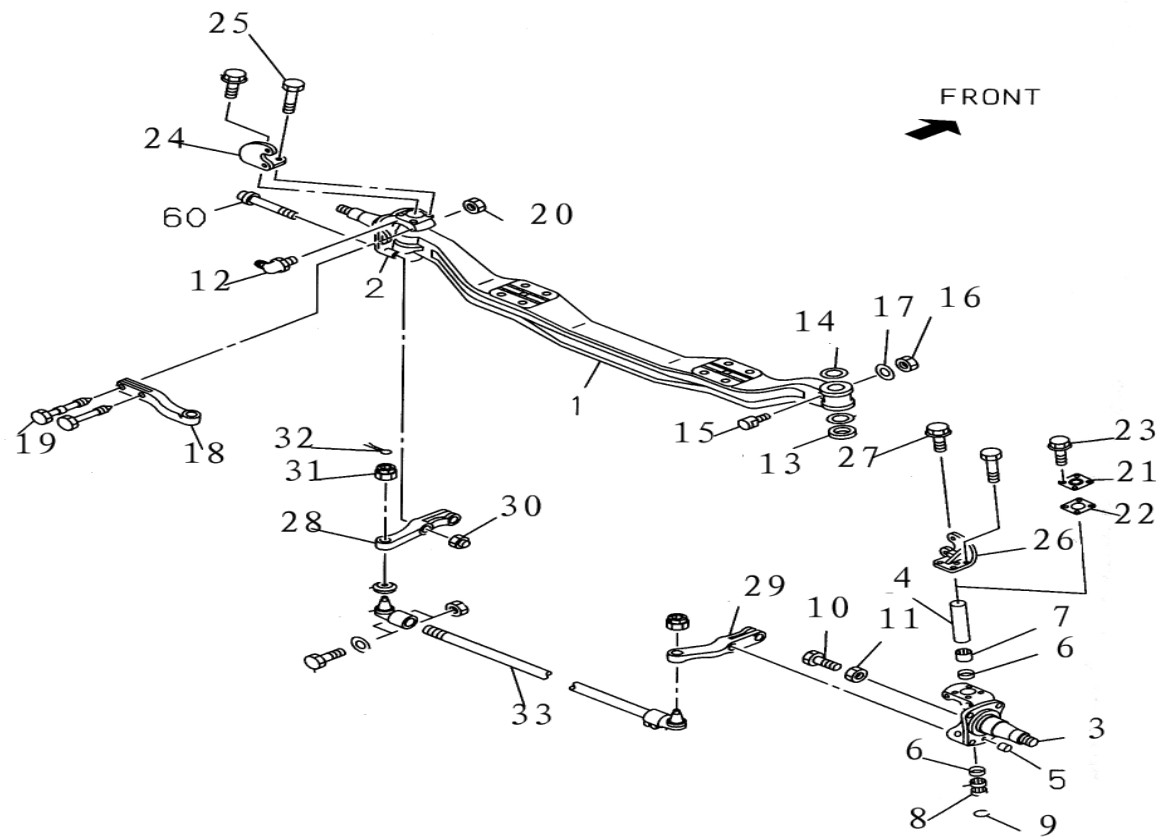
## 前轴系统 / FRONT AXLE SYSTEM

30-18

| 序号<br>No. | 件号<br>Part No. | 数量<br>Quantity | 名称<br>Name                                     | 规格<br>Specification | 适用产品<br>Products Applied | 备注<br>Remark |
|-----------|----------------|----------------|--|---------------------|--------------------------|--------------|
| 71        | 3501580-ABS    | 2              | WABCO 型传感器<br>WABCO Type Sensor                |                     |                          |              |
| 72        | 3501581-A1HABS | 2              | 齿圈<br>Gear Ring                                |                     |                          |              |
| 73        | 3501584-ABS    | 2              | 衬套<br>Bushing                                  |                     |                          |              |
| 74        | 3501583-ABS    | 2              | WABCO 弹性夹紧套<br>WABCO Type Spring Clamp Bushing |                     |                          |              |

## 泰州前轴展开图 / TAIZHOU FRONT AXLE

30-E



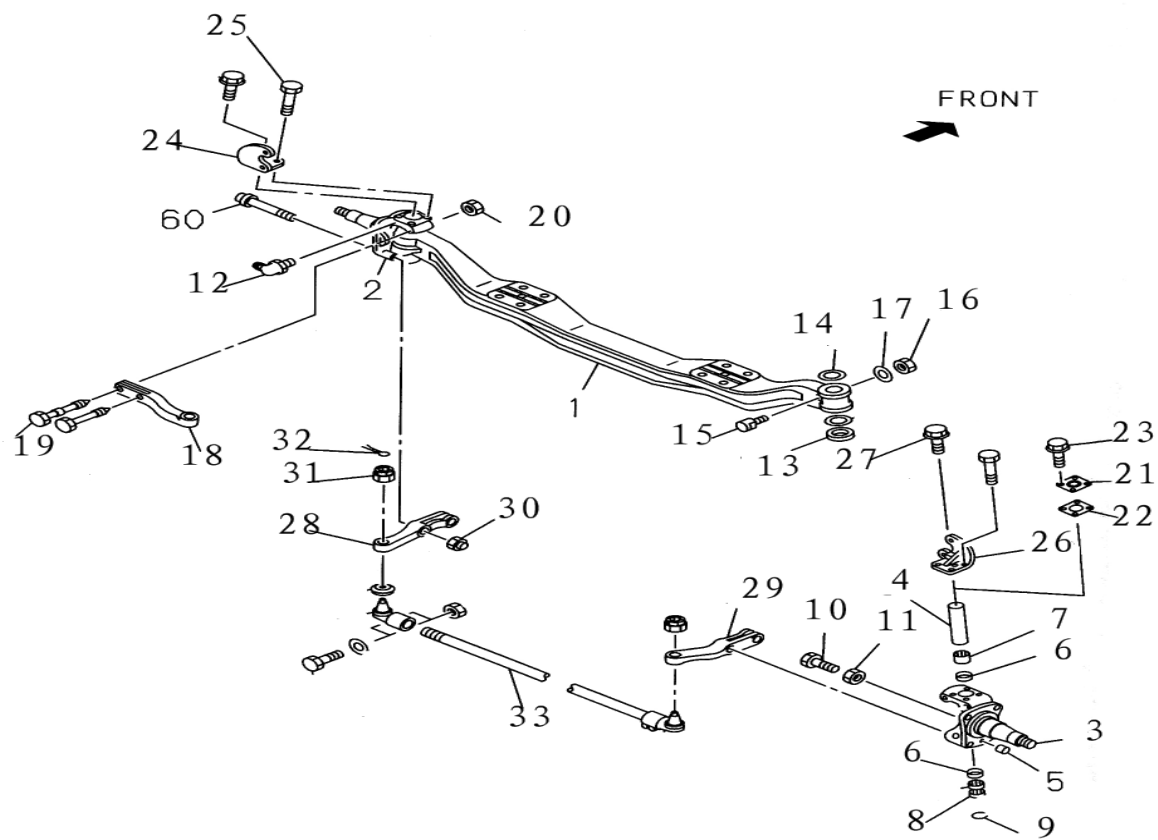
## 前轴系统 / FRONT AXLE SYSTEM

30-20

| 序号<br>No. | 件号<br>Part No.        | 数量<br>Quantity  | 名称<br>Name                              | 规格<br>Specification | 适用产品<br>Products Applied | 备注<br>Remark |
|-----------|-----------------------|-----------------|---|---------------------|--------------------------|--------------|
| 1         | 3001011TSLA           | 1               | 前轴<br>Front Axle                        |                     |                          |              |
| 2         | 3001015TSLA           | 1               | 左转向节总成<br>Steering Knuckle Assembly LH  |                     |                          |              |
| 3         | 3001016TSLA           | 1               | 右转向节总成<br>Steering Knuckle Assembly RH  |                     |                          |              |
| 4         | 3001021TSLA           | 2               | 主销<br>King Pin                          |                     |                          |              |
| 5         | 3001072TSLA           | 2               | 定位销<br>Locating Pin                     |                     |                          |              |
| 6         | 3001075TSLA           | 4               | 衬套<br>Bushing                           |                     |                          |              |
| 7         | NTN 7E-HMK<br>5045ZWD | 2               | (上) 滚针轴承<br>(Upper) Needle Bearing      |                     |                          |              |
| 8         | NTN 7E-HMK 5030       | 4               | (下) 滚针轴承<br>(Lower) Needle Bearing      |                     |                          |              |
| 9         | Q43020                | 2               | 孔用弹簧挡圈<br>Spring Retainer Ring For Hole |                     |                          |              |
| 10        | 3001031TSLA           | 2               | 转向节限位螺栓<br>Knuckle Limiting Bolt        |                     |                          |              |
| 11        | 3001034TSLA           | 2               | 转向节限位螺母<br>Knuckle Limiting Nut         |                     |                          |              |
| 12        | Q701B45               | 4               | 弯颈润滑嘴<br>Elbow Lubrication Nipple       |                     |                          |              |
| 13        | 917/50 PZSV           | 2               | 止推轴承<br>Thrust Bearing                  |                     |                          |              |
| 14        | 3001022TSLA           | 按需<br>On-Demand | 调整垫片<br>Adjusting Shim                  |                     |                          |              |

## 泰州前轴展开图 / TAIZHOU FRONT AXLE

30-E





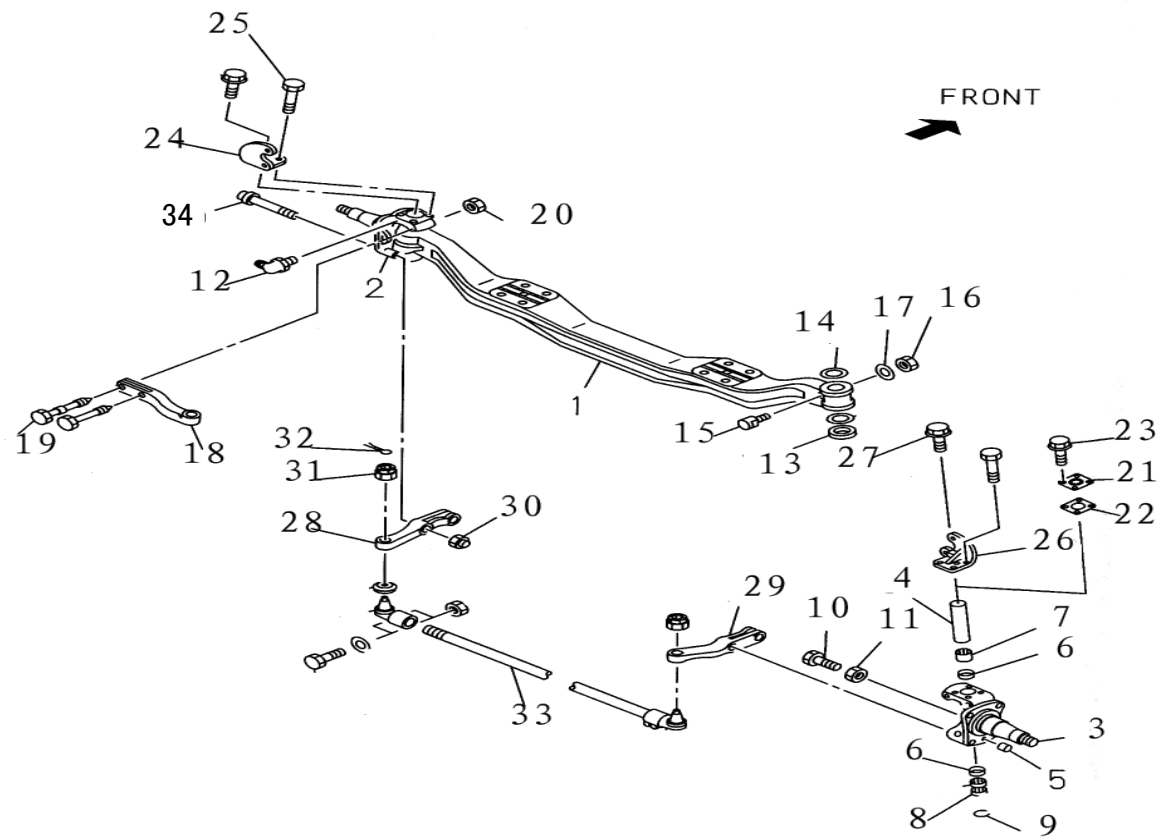
## 前轴系统 / FRONT AXLE SYSTEM

30-22

| 序号<br>No. | 件号<br>Part No. | 数量<br>Quantity | 名称<br>Name                                    | 规格<br>Specification | 适用产品<br>Products Applied | 备注<br>Remark |
|-----------|----------------|----------------|---|---------------------|--------------------------|--------------|
| 15        | 3001032TSLA    | 2              | 转向节主销锁紧螺栓<br>Knuckle King Pin Lock Bolt       |                     |                          |              |
| 16        | 3001033TSLA    | 2              | 转向节主销锁紧螺母<br>knuckle King Pin Lock Nut        |                     |                          |              |
| 17        | Q40310         | 2              | 弹簧垫圈<br>Spring Washer                         |                     |                          |              |
| 18        | 3001044TSLA    | 1              | 转向节臂<br>Knuckle Arm                           |                     |                          |              |
| 19        | 3001049TSLA    | 2              | 长螺栓<br>Long Bolt                              |                     |                          |              |
| 20        | 3001047TSLA    | 2              | 螺母<br>Nut                                     |                     |                          |              |
| 21        | 3001037TSLA    | 2              | 堵盖<br>Block Cover                             |                     |                          |              |
| 22        | 3501033TSLA    | 2              | 主销盖垫片<br>King Pin Cover Shim                  |                     |                          |              |
| 23        | Q140B1216      | 8              | 主销盖螺栓<br>King Pin Cover Bolt                  |                     |                          |              |
| 24        | 3501041TSLA    | 1              | 左支架 - 前制动气室<br>Bracket LH-Front Brake Chamber |                     |                          |              |
| 25        | 3501043TSLA    | 2              | 长螺栓 - 支架<br>Long Bolt-Bracket                 |                     |                          |              |
| 26        | 3501042TSLA    | 1              | 右支架 - 前制动气室<br>Bracket RH-Front Brake Chamber |                     |                          |              |
| 27        | 3501043TSLA    | 6              | 短螺栓 - 支架<br>Short Bolt-Bracket                |                     |                          |              |
| 28        | 3001041TSLA    | 1              | 左横拉杆节臂<br>Tie Rod Arm LH                      |                     |                          |              |

## 泰州前轴展开图 / TAIZHOU FRONT AXLE

30-E



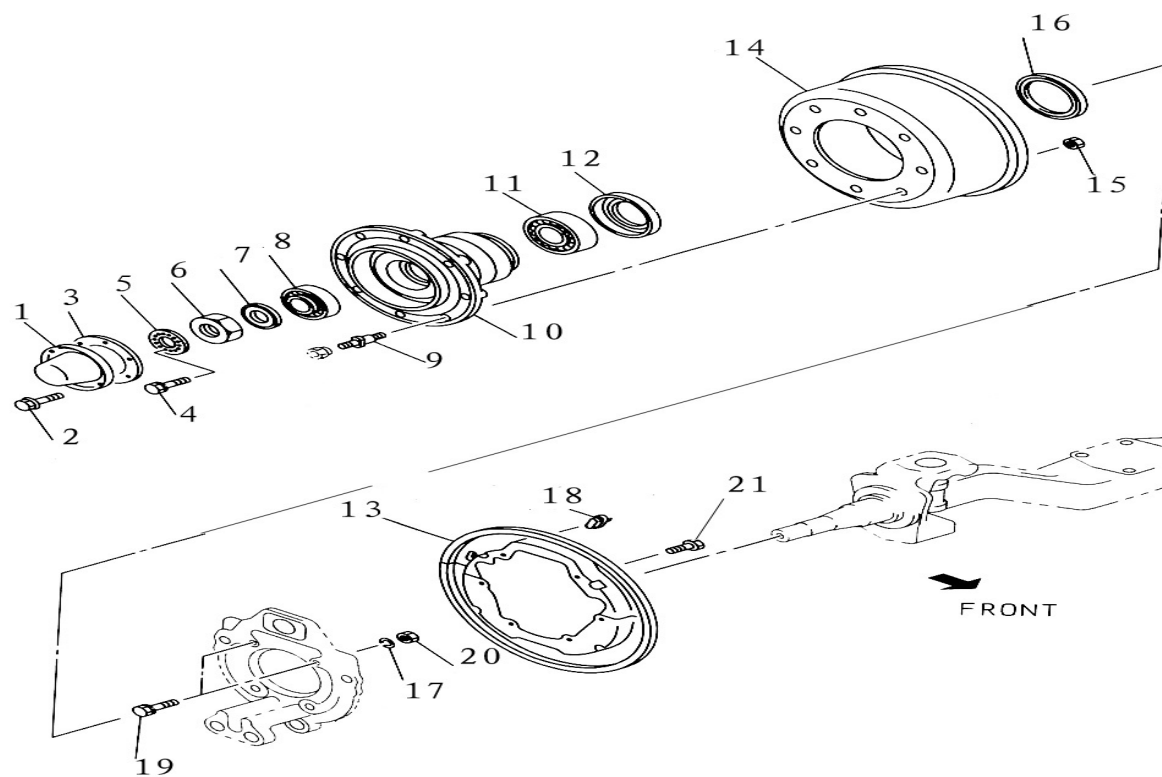
## 前轴系统 / FRONT AXLE SYSTEM

30-24

| 序号<br>No. | 件号<br>Part No. | 数量<br>Quantity | 名称<br>Name                          | 规格<br>Specification | 适用产品<br>Products Applied | 备注<br>Remark |
|-----------|----------------|----------------|-------------------------------------|---------------------|--------------------------|--------------|
| 29        | 3001042TSLA    | 1              | 右横拉杆节臂<br>Tie Rod Arm RH            |                     |                          |              |
| 30        | 3001047TSLA    | 4              | 螺母 - 拉杆臂<br>Nut-Rod Arm             |                     |                          |              |
| 31        | Q387B24        | 2              | 六角开槽薄螺母<br>Hexagon Slotted Thin Nut |                     |                          |              |
| 32        | Q5000545       | 2              | 开口销<br>Cotter Pin                   |                     |                          |              |
| 33        | 3301042TSLA    | 1              | 横拉杆总成<br>Tie Rod Assembly           |                     |                          |              |
| 34        | 3001045TSLA    | 4              | 长螺栓<br>Long Bolt                    |                     |                          |              |

## 泰州前轴轮毂展开图 / TAIZHOU FRONT AXLE HUB

30-F



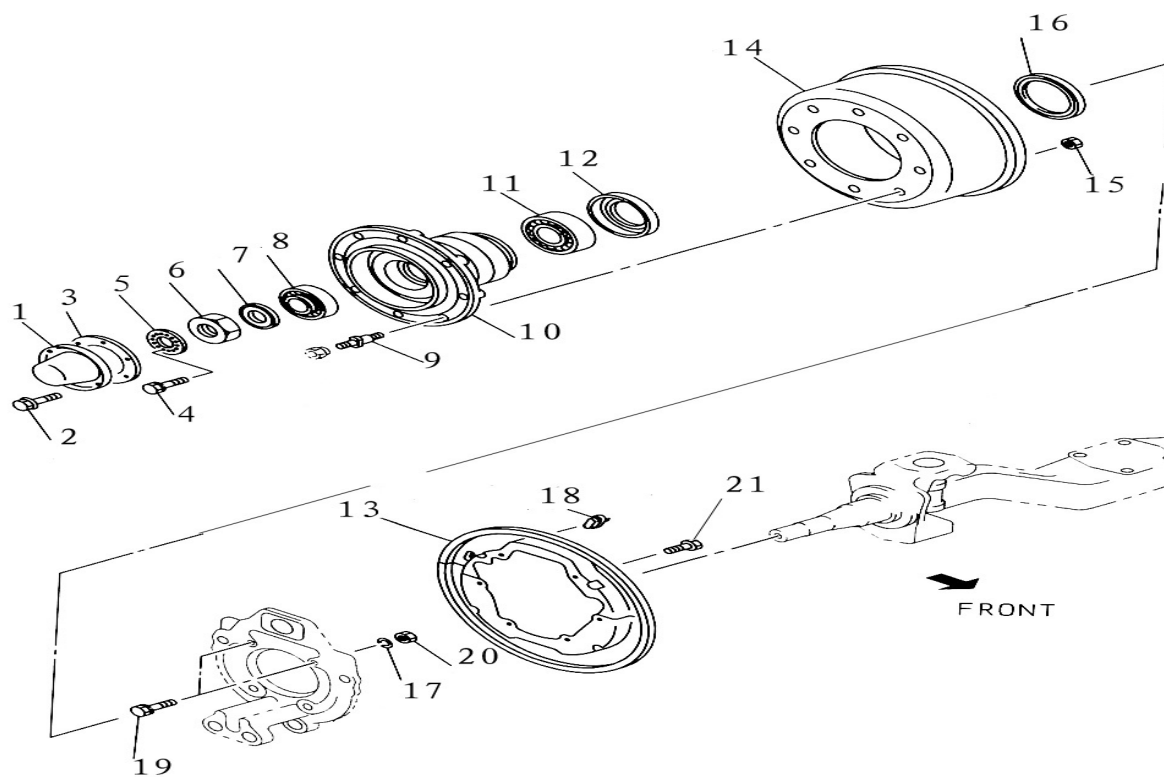
## 前轴系统 / FRONT AXLE SYSTEM

30-26

| 序号<br>No. | 件号<br>Part No. | 数量<br>Quantity | 名称<br>Name                          | 规格<br>Specification | 适用产品<br>Products Applied | 备注<br>Remark |
|-----------|----------------|----------------|-------------------------------------|---------------------|--------------------------|--------------|
| 1         | 3103061TSLA    | 2              | 前轮毂盖<br>Front Hub Cover             |                     |                          |              |
| 2         | 3103063TSLA    | 12             | 螺栓 - 前轮毂盖<br>Bolt-Front Hub Cover   |                     |                          |              |
| 3         | 3103062TSLA    | 2              | 衬垫 - 前轮毂盖<br>Gasket-Front Hub Cover |                     |                          |              |
| 4         | 3001064TSLA    | 4              | 螺栓 - 锁紧螺母<br>Bolt-Lock Nut          |                     |                          |              |
| 5         | 3001063TSLA    | 2              | 锁片<br>Locking Plate                 |                     |                          |              |
| 6         | 3001061TSLA    | 2              | 前轮毂锁紧螺母<br>Front Hub Lock Nut       |                     |                          |              |
| 7         | 3001058TSLA    | 2              | 减磨挡片<br>Antifriction Retainer       |                     |                          |              |
| 8         | 7611E          | 2              | 前轮毂外轴承<br>Front Hub Outer Bearing   |                     |                          |              |
| 9         | 3103051TSLA    | 20             | 前车轮螺栓<br>Front Wheel Bolt           |                     |                          |              |
| 10        | 3103015TSLA    | 2              | 前轮毂<br>Front Hub                    |                     |                          |              |
| 11        | 7614EK         | 2              | 前轮毂内轴承<br>Front Hub Inner Bearing   |                     |                          |              |
| 12        | 3103076TSLA    | 2              | 前轴承盖<br>Front Bearing Cover         |                     |                          |              |
| 13        | 3501062TSLA    | 2              | 制动鼓底板<br>Brake Drum Bottom Plate    |                     |                          |              |
| 14        | 3501065TSLA    | 2              | 前制动鼓<br>Front Brake Drum            |                     |                          |              |

## 泰州前轴轮毂展开图 / TAIZHOU FRONT AXLE HUB

30-F



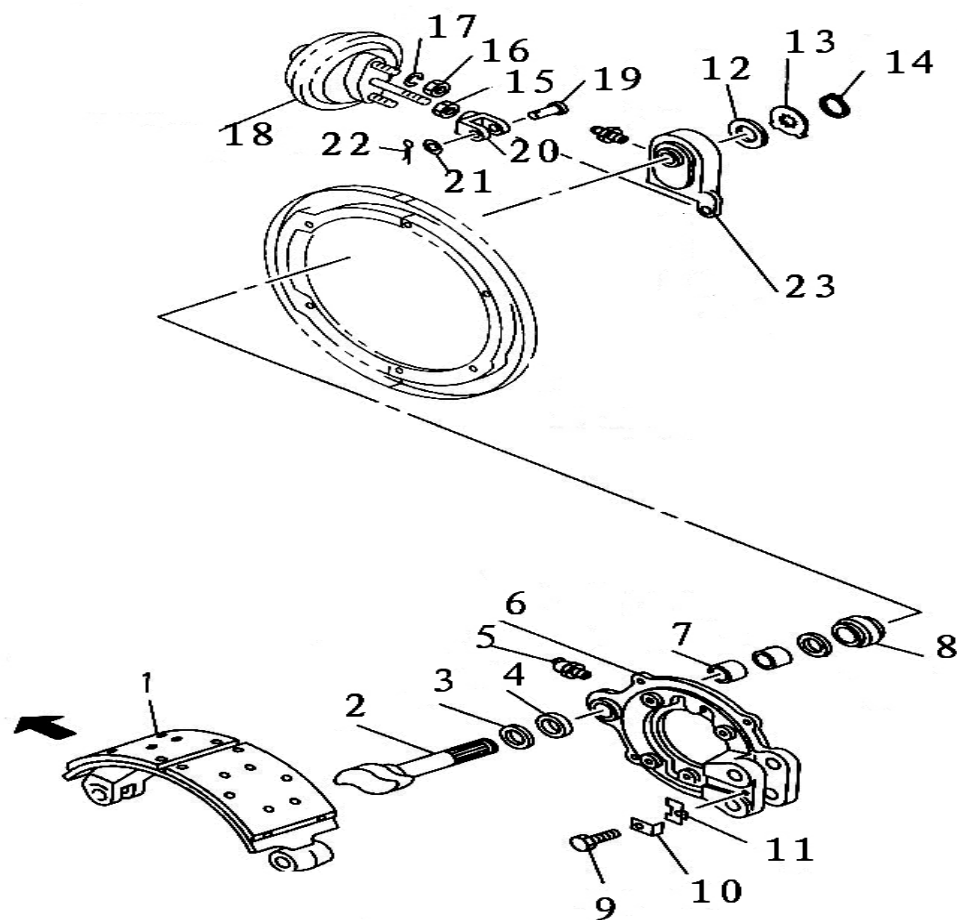
## 前轴系统 / FRONT AXLE SYSTEM

30-28

| 序号<br>No. | 件号<br>Part No. | 数量<br>Quantity | 名称<br>Name                                  | 规格<br>Specification | 适用产品<br>Products Applied | 备注<br>Remark |
|-----------|----------------|----------------|---|---------------------|--------------------------|--------------|
| 15        | 3103053TSLA    | 20             | 车轮螺栓内螺母<br>Wheel Bolt Inner Nut             |                     |                          |              |
| 16        | 3103080TSLA    | 2              | 前轮毂油封总成<br>Front Hub Oil Seal Assembly      |                     |                          |              |
| 17        | Q40316         | 4              | 弹簧垫圈<br>Spring Washer                       |                     |                          |              |
| 18        | 3501067TSLA    | 4              | 制动鼓孔盖<br>Brake Drum Hole Cover              |                     |                          |              |
| 19        | 3501021TSLA    | 4              | 螺栓 (A) - 制动底板<br>Bolt(A)-Brake Bottom Plate |                     |                          |              |
| 20        | 3501022TSLA    | 4              | 螺母 - 制动底板<br>Nut-Brake Bottom Plate         |                     |                          |              |
| 21        | 3501023TSLA    | 4              | 螺栓 (B) - 制动底板<br>Bolt(B)-Brake Bottom Plate |                     |                          |              |

## 泰州前轴制动器展开图 / TAIZHOU FRONT AXLE BRAKE

30-G





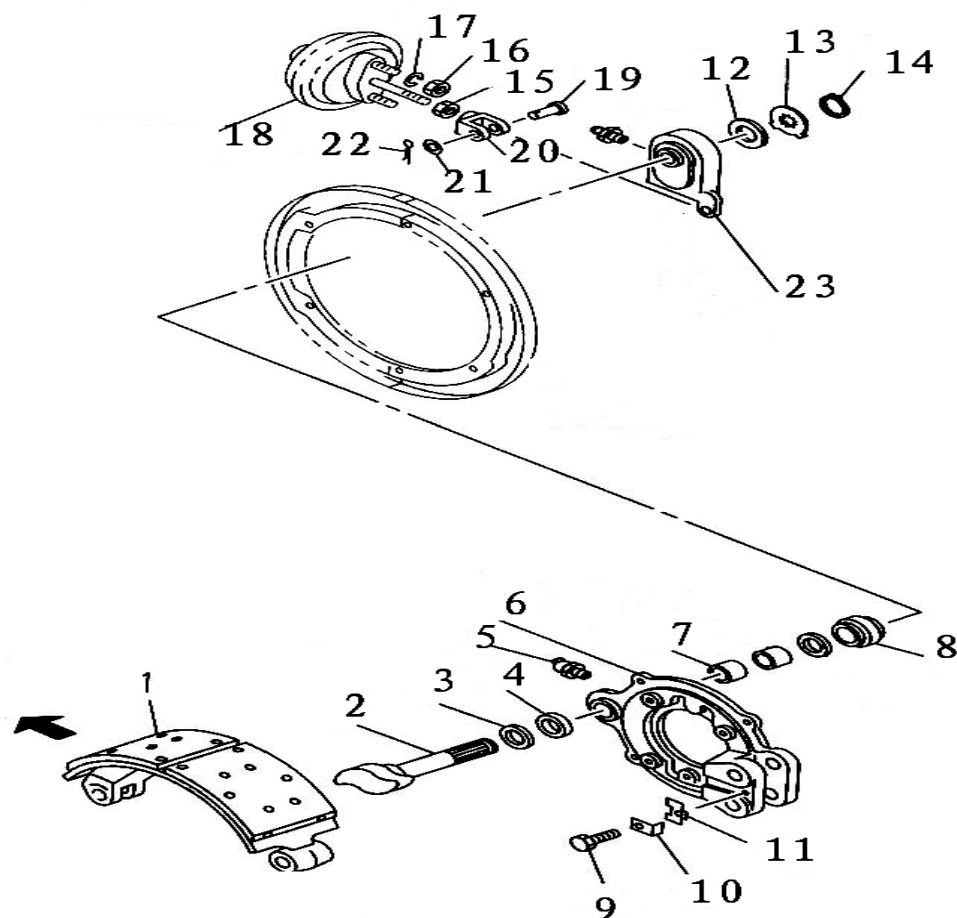
## 前轴系统 / FRONT AXLE SYSTEM

30-30

| 序号<br>No. | 件号<br>Part No. | 数量<br>Quantity  | 名称<br>Name                                 | 规格<br>Specification | 适用产品<br>Products Applied | 备注<br>Remark |
|-----------|----------------|-----------------|--|---------------------|--------------------------|--------------|
| 1         | 3501070TSLA    | 8               | 制动蹄<br>Brake Shoe                          |                     |                          |              |
| 2         | 3501071TSLA    | 2               | 左 / 右制动凸轮轴<br>Brake Camshaft LH/RH         |                     |                          |              |
| 3         | 3501073TSLA    | 2               | 凸轮轴油封<br>Camshaft Oil Seal                 |                     |                          |              |
| 4         | 3501074TSLA    | 按需<br>On-Demand | 调整垫圈<br>Adjusting Washer                   |                     |                          |              |
| 5         | Q701B45        | 2               | 润滑脂嘴<br>Grease Nipple                      |                     |                          |              |
| 6         | 3501076TSLA    | 2               | 制动鼓底板支架<br>Brake Drum Bottom Plate Bracket |                     |                          |              |
| 7         | 3501077TSLA    | 4               | 衬套<br>Bushing                              |                     |                          |              |
| 8         | 3501078TSLA    | 2               | 凸轮轴护圈<br>Camshaft Retainer                 |                     |                          |              |
| 9         | Q150B1016      | 2               | 螺栓<br>Bolt                                 |                     |                          |              |
| 10        | 3501079TSLA    | 2               | 垫片<br>Shim                                 |                     |                          |              |
| 11        | 3501081TSLA    | 2               | 锁片<br>Locking Plate                        |                     |                          |              |
| 12        | 3501082TSLA    | 2               | 垫片<br>Shim                                 |                     |                          |              |
| 13        | 3501083TSLA    | 2               | 凸轮挡板<br>Camshaft Baffle                    |                     |                          |              |
| 14        | 3501084TSLA    | 2               | 卡簧<br>Snap Ring                            |                     |                          |              |

## 泰州前轴制动器展开图 / TAIZHOU FRONT AXLE BRAKE

30-G



## 前轴系统 / FRONT AXLE SYSTEM

30-32

| 序号<br>No. | 件号<br>Part No. | 数量<br>Quantity | 名称<br>Name                       | 规格<br>Specification | 适用产品<br>Products Applied | 备注<br>Remark |
|-----------|----------------|----------------|----------------------------------|---------------------|--------------------------|--------------|
| 15        | Q340B16        | 2              | 螺母<br>Nut                        |                     |                          |              |
| 16        | Q340B16        | 4              | 螺母<br>Nut                        |                     |                          |              |
| 17        | Q40316         | 2              | 弹簧垫圈<br>Spring Washer            |                     |                          |              |
| 18        | 3519010TSLA    | 2              | 左 / 右制动气室<br>Brake Chamber LH/RH |                     |                          |              |
| 19        | 3501086TSLA    | 2              | 销<br>Pin                         |                     |                          |              |
| 20        | 3501087TSLA    | 2              | 推叉<br>Push Fork                  |                     |                          |              |
| 21        | 3501088TSLA    | 2              | 垫片<br>Shim                       |                     |                          |              |
| 22        | 3501089TSLA    | 2              | 开口销<br>Cotter Pin                |                     |                          |              |
| 23        | 3501075TSLA    | 2              | 制动调整臂<br>Brake Adjusting Arm     |                     |                          |              |

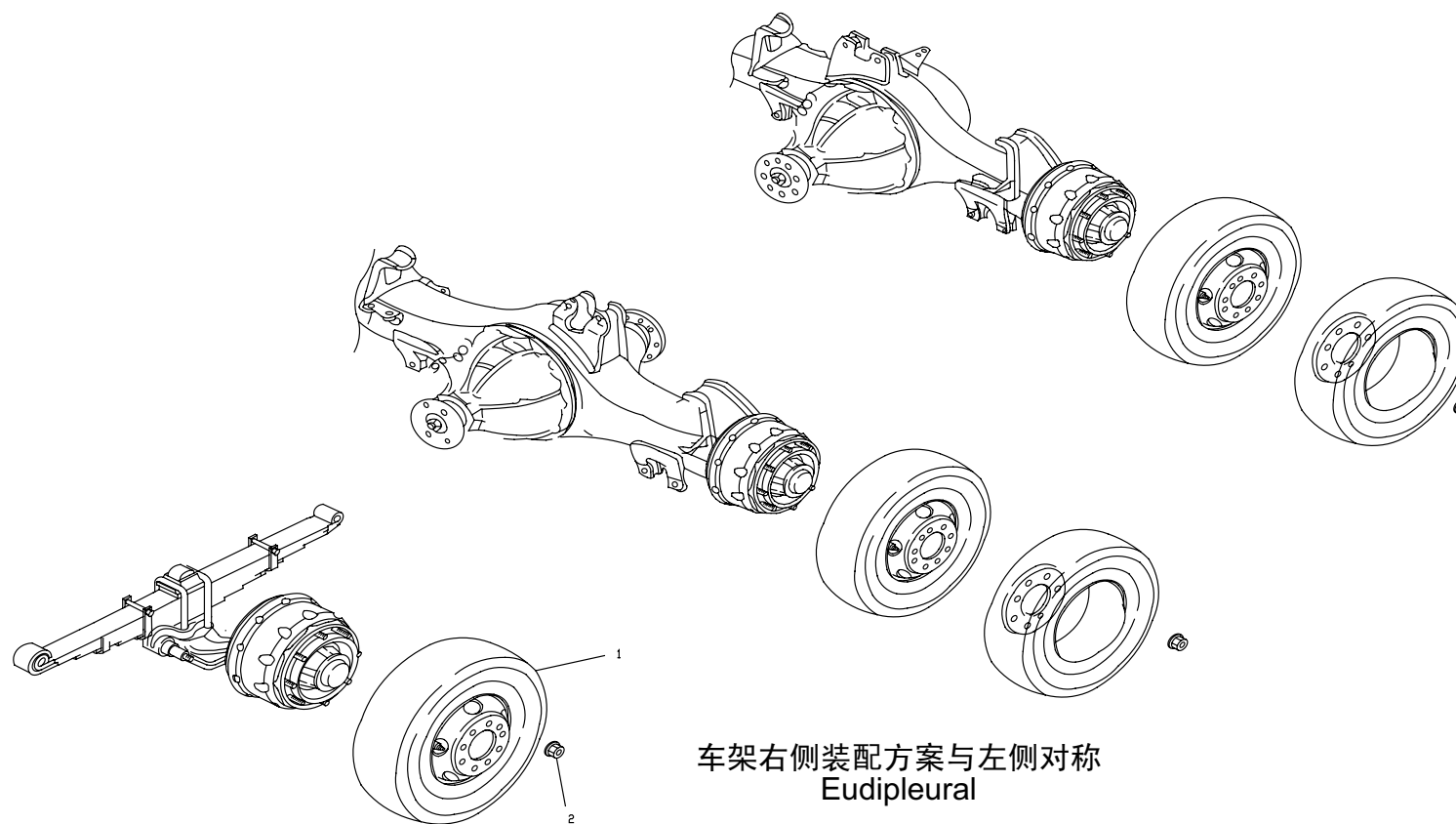


31

**车轮及轮毂系统**  
***WHEEL AND HUB***  
***SYSTEM***

## 双后桥车型轮胎装置图 / DUAL REAR AXLE MODEL TIRE

## 31-A



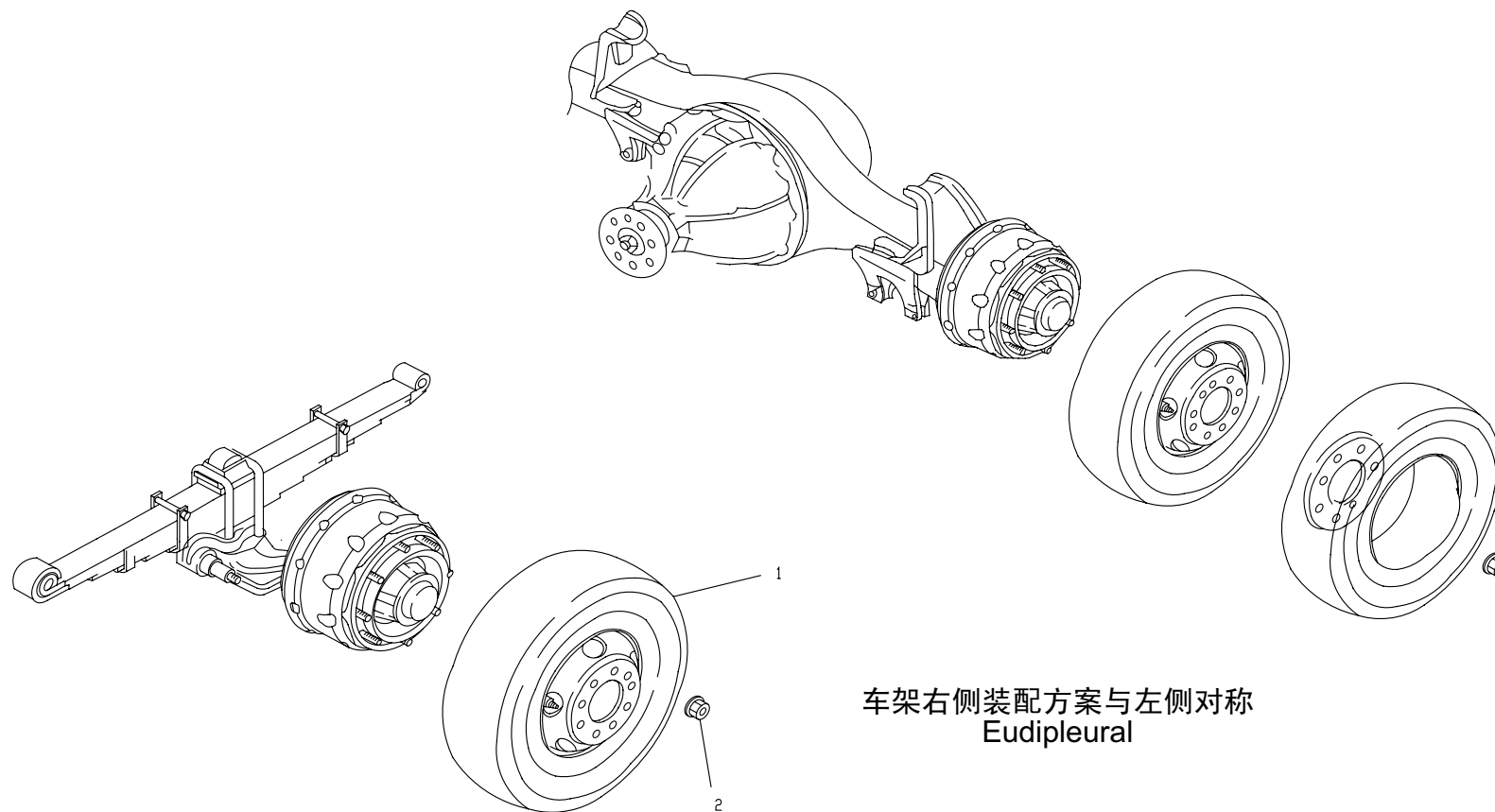
车轮及轮毂系统 / WHEEL AND HUB SYSTEM

31-2

| 序号<br>No. | 件号<br>Part No. | 数量<br>Quantity | 名称<br>Name  | 规格<br>Specification | 适用产品<br>Products Applied | 备注<br>Remark |
|-----------|----------------|----------------|---|---------------------|--------------------------|--------------|
| 1         | 31AD-00310     | 11             | 车轮、轮胎总成 (无胆胎 13R22.5)<br>Wheel, Tire Assembly (Tubeless Tire 13R22.5) |                     |                          |              |
|           | 31AD-0000      | 11             | 车轮、轮胎总成<br>Wheel, Tire Assembly                                       | 11.00-20-18         |                          |              |
|           | 31AD-0010      | 11             | 车轮、轮胎总成<br>Wheel, Tire Assembly                                       | 11.00R20-16         |                          |              |
|           | 31A2DZ-0000    | 11             | 车轮、轮胎总成<br>Wheel, Tire Assembly                                       | 12.00-20-18         |                          |              |
|           | 31A2DZ-0010    | 11             | 车轮、轮胎总成<br>Wheel, Tire Assembly                                       | 12.00R20-18         |                          |              |
|           | 31A7DP-0000    | 11             | 车轮、轮胎总成<br>Wheel, Tire Assembly                                       | 11.00-20-18         |                          |              |
| 2         | Q30022F3       | 60             | 轮胎螺母<br>Tire Nut  |                     |                          |              |

## 单后桥车型轮胎装置图 / SINGLE REAR AXLE MODEL TIRE

31-B





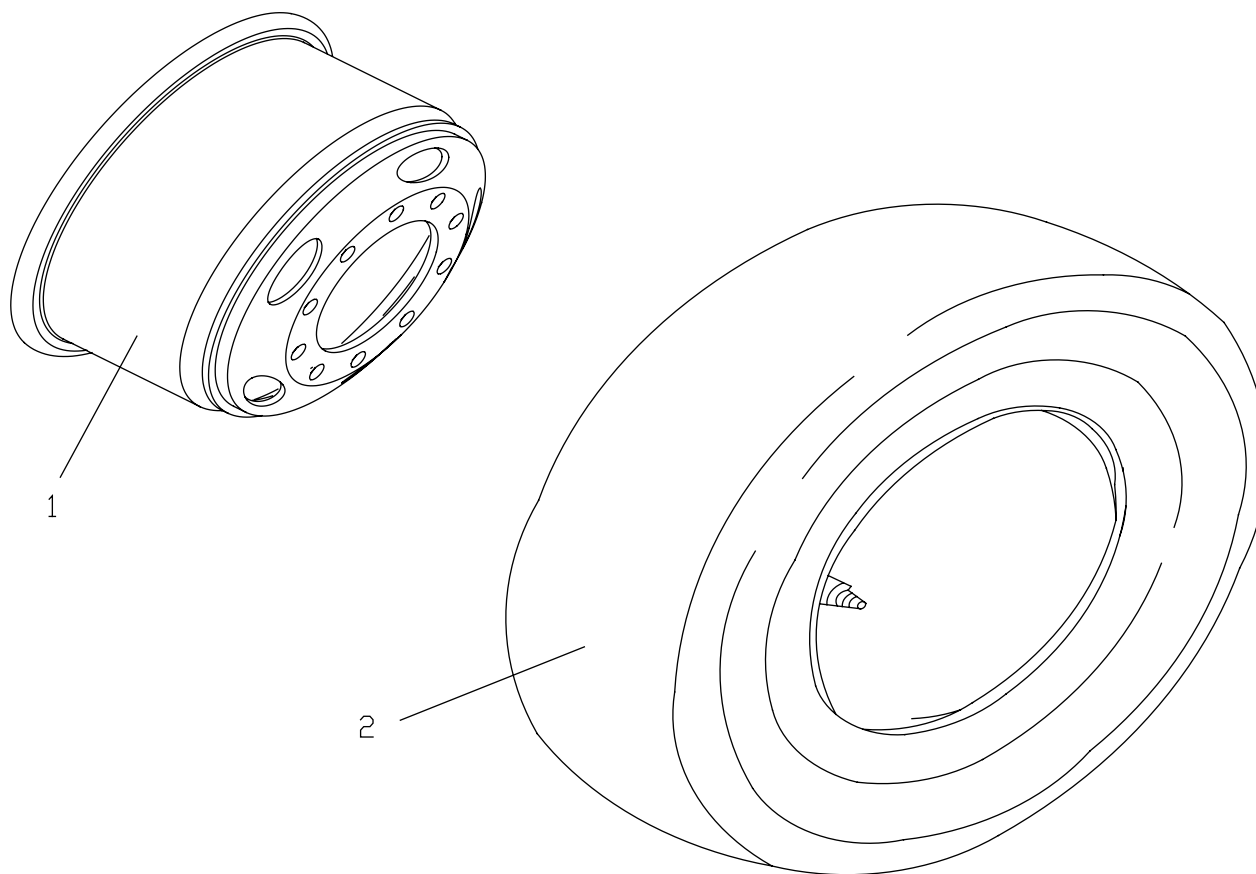
车轮及轮毂系统 / WHEEL AND HUB SYSTEM

31-4

| 序号<br>No. | 件号<br>Part No. | 数量<br>Quantity | 名称<br>Name                      | 规格<br>Specification | 适用产品<br>Products Applied | 备注<br>Remark |
|-----------|----------------|----------------|---------------------------------|---------------------|--------------------------|--------------|
| 1         | 31AD-00320     | 7              | 车轮、轮胎总成<br>Wheel, Tire Assembly |                     |                          |              |
| 2         | Q30022F3       | 40             | 轮胎螺母<br>Tire Nut                |                     |                          |              |

轮胎装置图 I / TIRE I

31-C



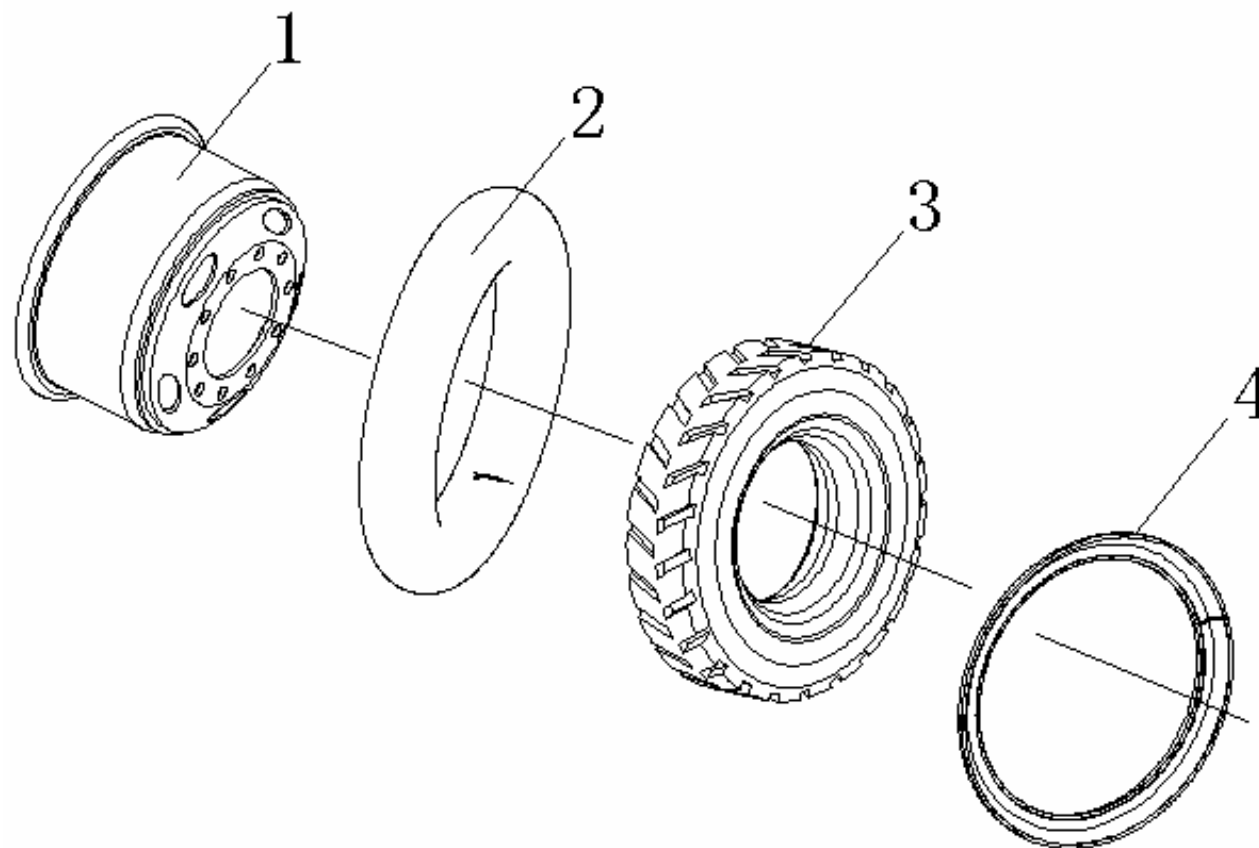
车轮及轮毂系统 / WHEEL AND HUB SYSTEM

31-6

| 序号<br>No. | 件号<br>Part No. | 数量<br>Quantity | 名称<br>Name             | 规格<br>Specification | 适用产品<br>Products Applied | 备注<br>Remark |
|-----------|----------------|----------------|------------------------|---------------------|--------------------------|--------------|
| 1         | 31AD-13110     | 7              | 车轮总成<br>Wheel Assembly | 22.5x9.00           |                          |              |
|           | 31AD-13210     | 7              | 车轮总成<br>Wheel Assembly | 22.5x9.00           |                          |              |
|           | 31AD-13210     | 11             | 车轮总成<br>Wheel Assembly | 22.5x9.00           |                          |              |
| 2         | 31AD-06110     | 7              | 轮胎总成<br>Tire Assembly  | 13R22.5-16          |                          |              |
|           | 31AD-06110     | 7              | 轮胎总成<br>Tire Assembly  | 13R22.5-18          |                          |              |
|           | 31AD-06210     | 11             | 轮胎总成<br>Tire Assembly  | 13R22.5-18          |                          |              |

## 轮胎装置图 II / TIRE II

31-D



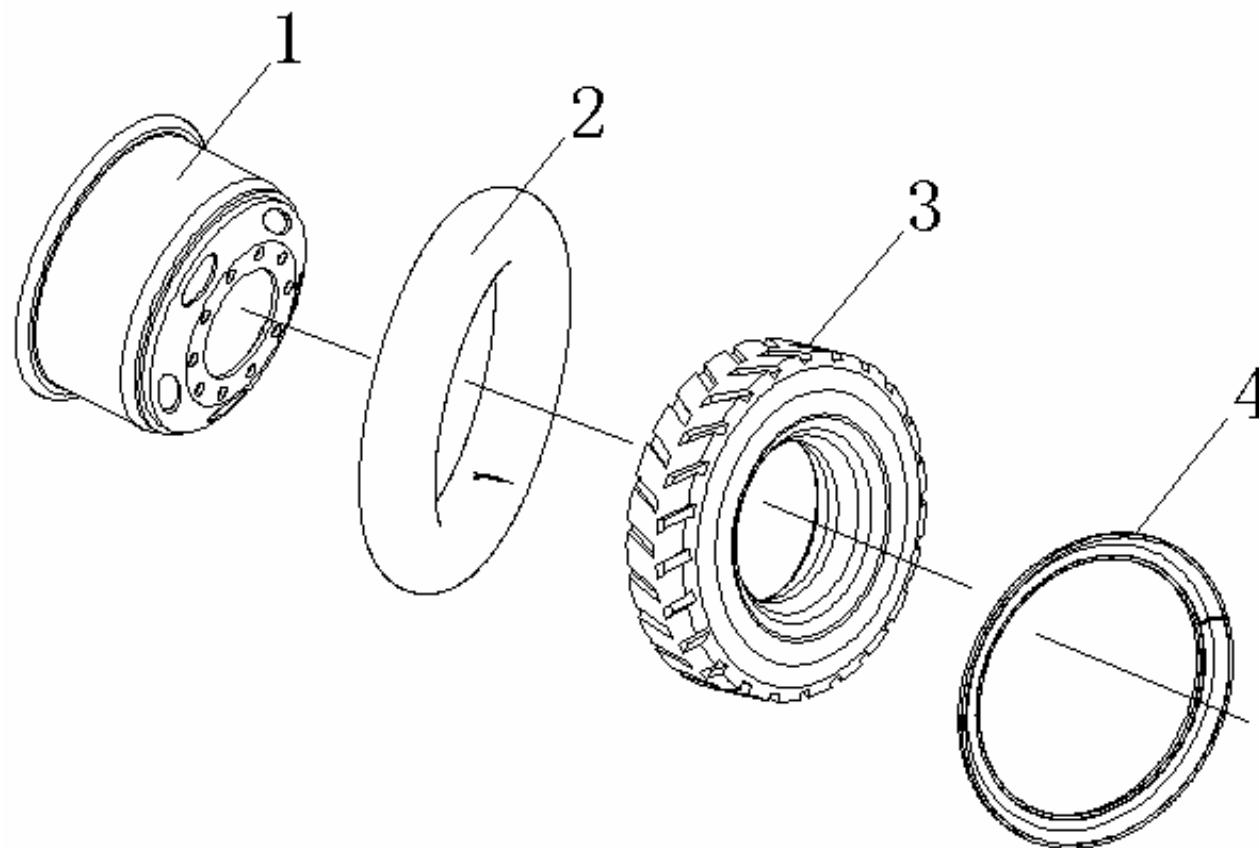
车轮及轮毂系统 / WHEEL AND HUB SYSTEM

31-8

| 序号<br>No. | 件号<br>Part No.  | 数量<br>Quantity | 名称<br>Name   | 规格<br>Specification | 适用产品<br>Products Applied | 备注<br>Remark |
|-----------|-----------------|----------------|--|---------------------|--------------------------|--------------|
| 1         | 31AD-01010-01   | 1              | 轮辋及轮辐总成<br>Rim And Wheel Spoke Assembly  | 8.0-20              |                          |              |
|           | 31A2DZ-01010-01 | 1              | 轮辋及轮辐总成<br>Rim And Wheel Spoke Assembly  | 8.5-20              |                          |              |
|           | 31A7DP-01010-01 | 1              | 轮辋及轮辐总成 (分度圆为 285.75)<br>Rim And Wheel Spoke Assembly<br>(Graduated Circle 285.75) | 8.0-20              |                          |              |
|           | 31AD-03410      | 1              | 轮辋及轮辐总成 (球面定位)<br>Rim And Wheel Spoke Assembly<br>(Spherical Localization)         | 8.0-20              |                          |              |
| 2         | 31AD-06010-01   | 1              | 内胎 (配 11.00-20、11.00R20)<br>Inner Tube(For/11.00-20,11.00R20)                      |                     |                          |              |
|           | 31A2DZ-06010-01 | 1              | 内胎 (配 12.00-20、12.00R20)<br>Inner Tube(For/12.00-20,12.00R20)                      |                     |                          |              |
|           | 31A4D-06010-01  | 1              | 内胎 (配 12.00-24、12.00R24)<br>Inner Tube(For/12.00-24,12.00R24)                      | 2                   |                          |              |
| 3         | 31AD-06010-02   | 1              | 外胎<br>Cover Tire   | 11.00-20-18         |                          |              |
|           | 31AD-06020-02   | 1              | 外胎<br>Cover Tire   | 11.00R20-16         |                          |              |
|           | 31A2DZ-06010-02 | 1              | 外胎<br>Cover Tire   | 12.00-20-18         |                          |              |
|           | 31A2DZ-06020-02 | 1              | 外胎<br>Cover Tire   | 12.00R20-18         |                          |              |
|           | 31A4D-06010     | 1              | 外胎<br>Cover Tire   | 12.00-24-18         |                          |              |
|           | 31A4D-06020     | 1              | 外胎<br>Cover Tire   | 12.00R24-18         |                          |              |

## 轮胎装置图 II / TIRE II

31-D



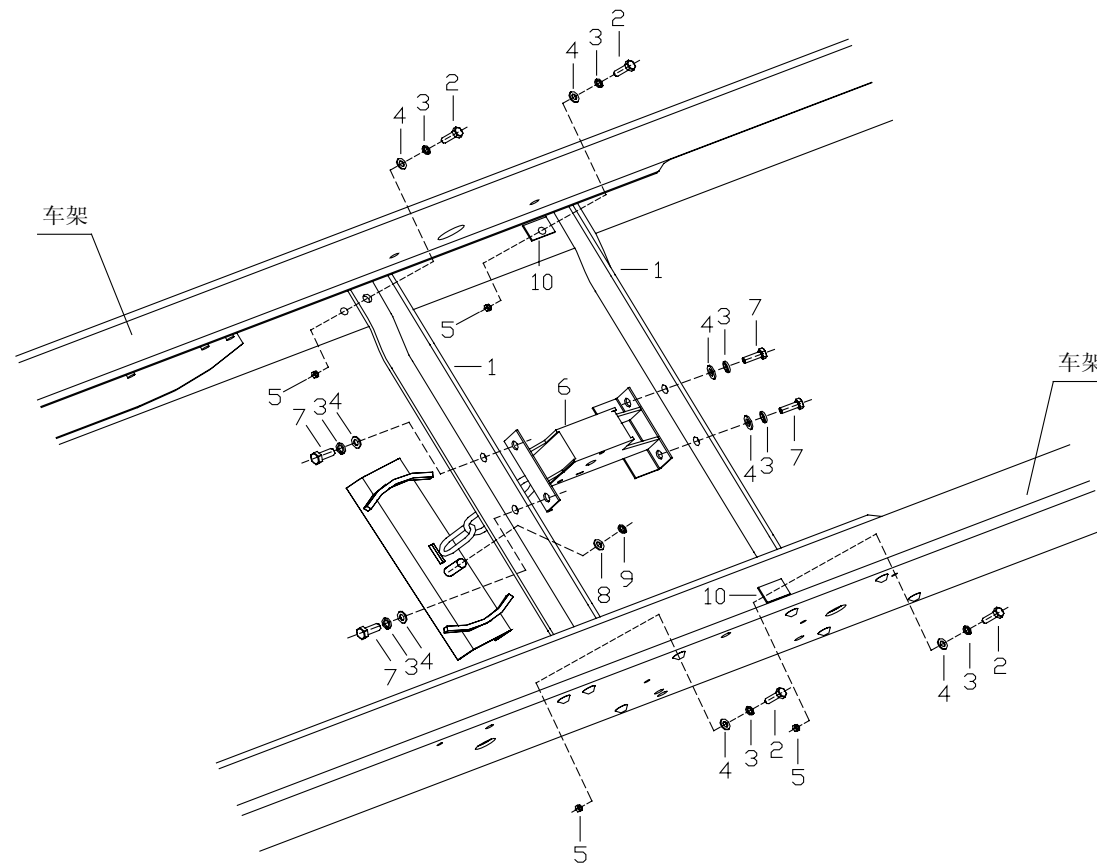
车轮及轮毂系统 / WHEEL AND HUB SYSTEM

31-10

| 序号<br>No. | 件号<br>Part No.  | 数量<br>Quantity | 名称<br>Name          | 规格<br>Specification | 适用产品<br>Products Applied | 备注<br>Remark |
|-----------|-----------------|----------------|---------------------|---------------------|--------------------------|--------------|
| 4         | 31AD-01010-02   | 1              | 挡圈<br>Retainer Ring | 8.0-20              |                          |              |
|           | 31A2DZ-01010-02 | 1              | 挡圈<br>Retainer Ring | 8.5-20              |                          |              |
|           | 31A4D-06010-02  | 1              | 挡圈<br>Retainer Ring | 8.5-24              |                          |              |

## 备胎架及其升降机构 I / SPARE-TIRE CARRIER AND ITS LIFT MECHANISM I

31-E





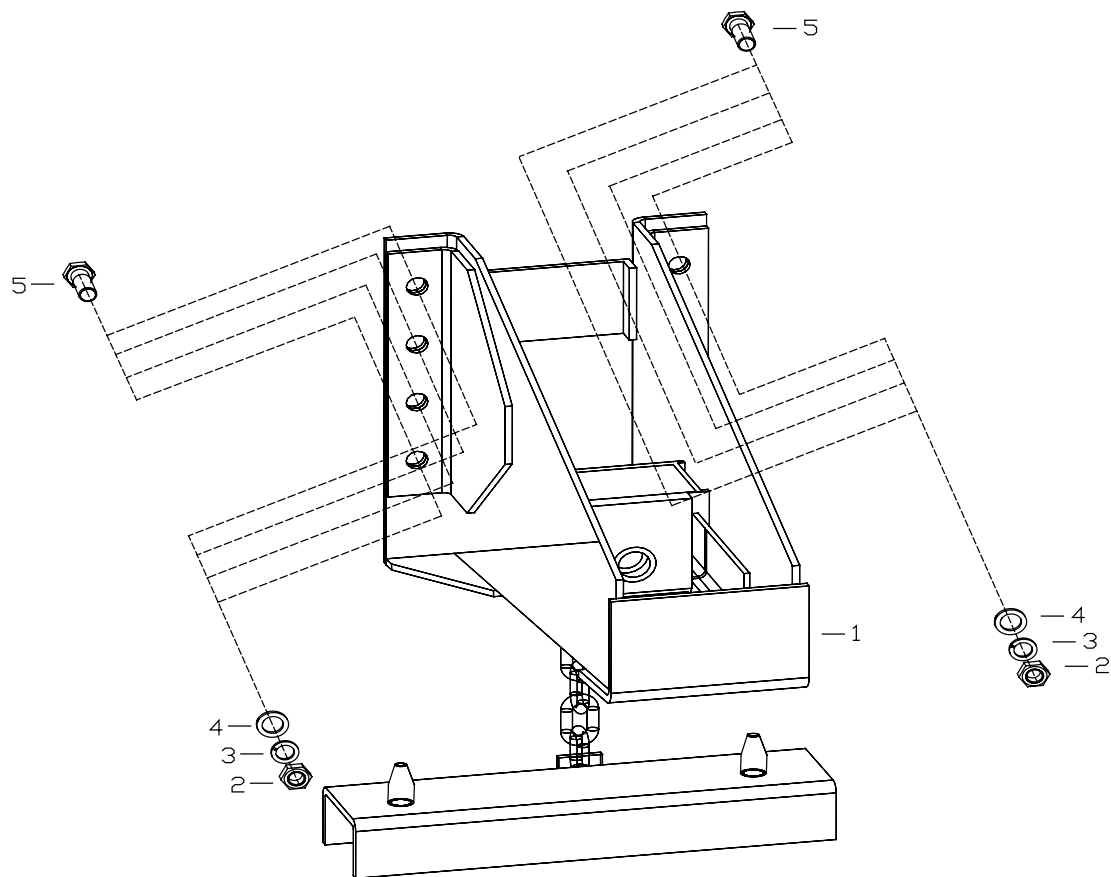
车轮及轮毂系统 / WHEEL AND HUB SYSTEM

31-12

| 序号<br>No. | 件号<br>Part No. | 数量<br>Quantity | 名称<br>Name                                     | 规格<br>Specification | 适用产品<br>Products Applied   | 备注<br>Remark |
|-----------|----------------|----------------|--|---------------------|--|--------------|
| 1         | 31A9DP1-05021  | 2              | 支架-备胎架<br>Bracket-Spare-Tire Carrier           |                     |  |              |
| 2         | Q150B1445      | 4              | 六角头螺栓<br>Hexagon Head Bolt                     |                     |  |              |
|           | Q150B1455      | 4              | 六角头螺栓<br>Hexagon Head Bolt                     |                     | 1850+4000+1310 轴距<br>1850+4000+1310 Wheel Base                                 |              |
| 3         | Q40114         | 8              | 平垫圈<br>Plate Washer                            |                     |  |              |
| 4         | Q40314         | 8              | 弹簧垫圈<br>Spring Washer                          |                     |  |              |
| 5         | Q340B14        | 4              | I型六角螺母<br>Hexagon Full Nut                     |                     |  |              |
| 6         | 31AD-05010     | 1              | 备胎架升降机总成<br>Spare-Tire Carrier Lifter Assembly |                     | 457 桥、斯太尔桥、东风 500 桥、统一桥<br>457Axle,STERY Axle,<br>DONGFENG 500 Axle,ENTIA Axle |              |
|           | 31AD-05015     | 1              | 备胎架升降机总成<br>Spare-Tire Carrier Lifter Assembly |                     | 435 桥、三菱桥<br>435 Axle,MITSUBISHI Axle  |              |
| 7         | Q150B1435      | 4              | 六角头螺栓<br>Hexagon Head Bolt                     |                     |  |              |
| 8         | Q40116         | 1              | 平垫圈<br>Plate Washer                            |                     |  |              |
| 9         | Q40316         | 1              | 弹簧垫圈<br>Spring Washer                          |                     |  |              |
| 10        | 31A9DP5-05023  | 1              | 垫板<br>Mat Plate                                |                     | 1850+4000+1310 轴距<br>1850+4000+1310 Wheel Base                                 |              |

## 备胎架及其升降机构 II / SPARE-TIRE CARRIER AND ITS LIFT MECHANISM II

31-F



车轮及轮毂系统 / WHEEL AND HUB SYSTEM

31-14

| 序号<br>No. | 件号<br>Part No. | 数量<br>Quantity | 名称<br>Name   | 规格<br>Specification | 适用产品<br>Products Applied | 备注<br>Remark |
|-----------|----------------|----------------|--|---------------------|--------------------------|--------------|
| 1         | 31AH23DZ-05010 | 1              | 备胎架升降机及固定支架总成<br>Spare-Tire Carrier Lifter And Fixed Bracket<br>Assembly |                     |                          |              |
| 2         | Q340B12        | 8              | I 型六角螺母<br>Hexagon Full Nut  |                     |                          |              |
| 3         | Q40312         | 8              | 弹簧垫圈<br>Spring Washer  |                     |                          |              |
| 4         | Q40112         | 8              | 平垫圈<br>Plate Washer  |                     |                          |              |
| 5         | Q150B1255      | 8              | 六角头螺栓<br>Hexagon Head Bolt   |                     |                          |              |



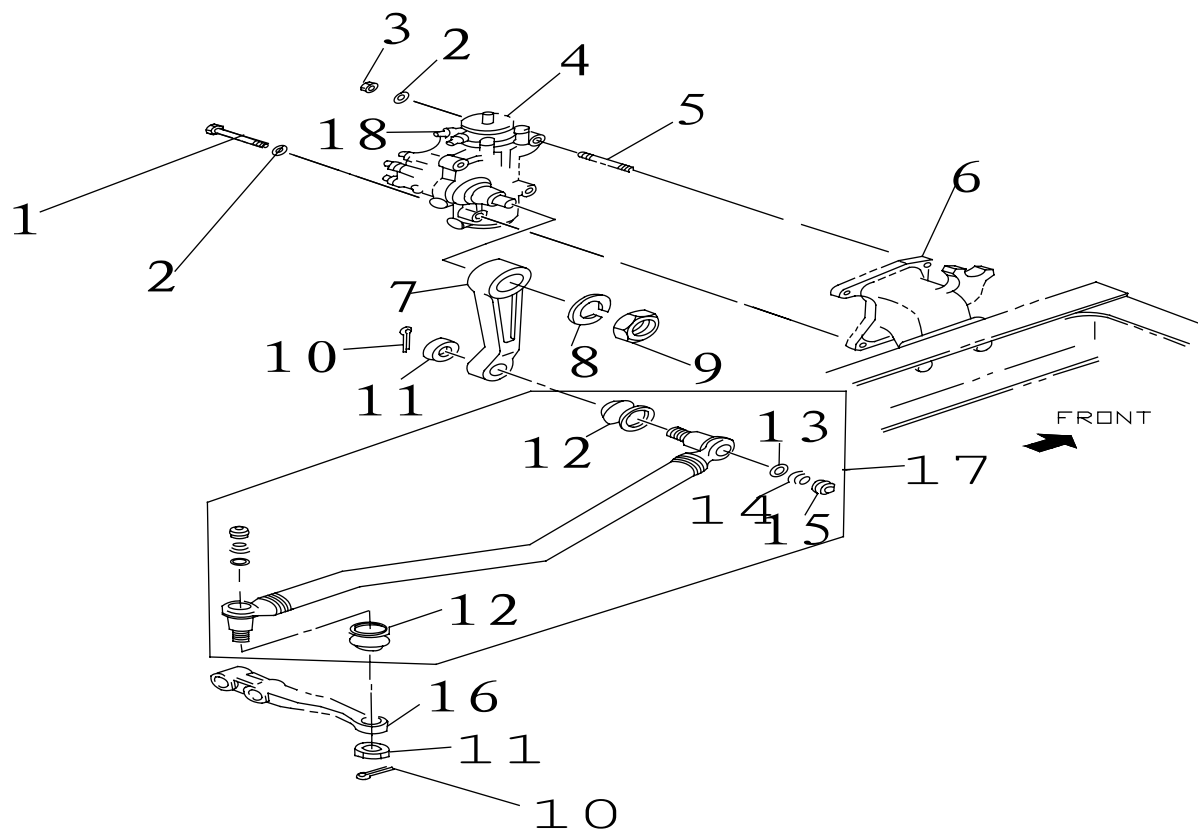
34

**转向系统**

***STEERING SYSTEM***

## 转向直拉杆和转向垂臂图 / STEERING DRAG LINK AND STEERING DROP ARM

34-A



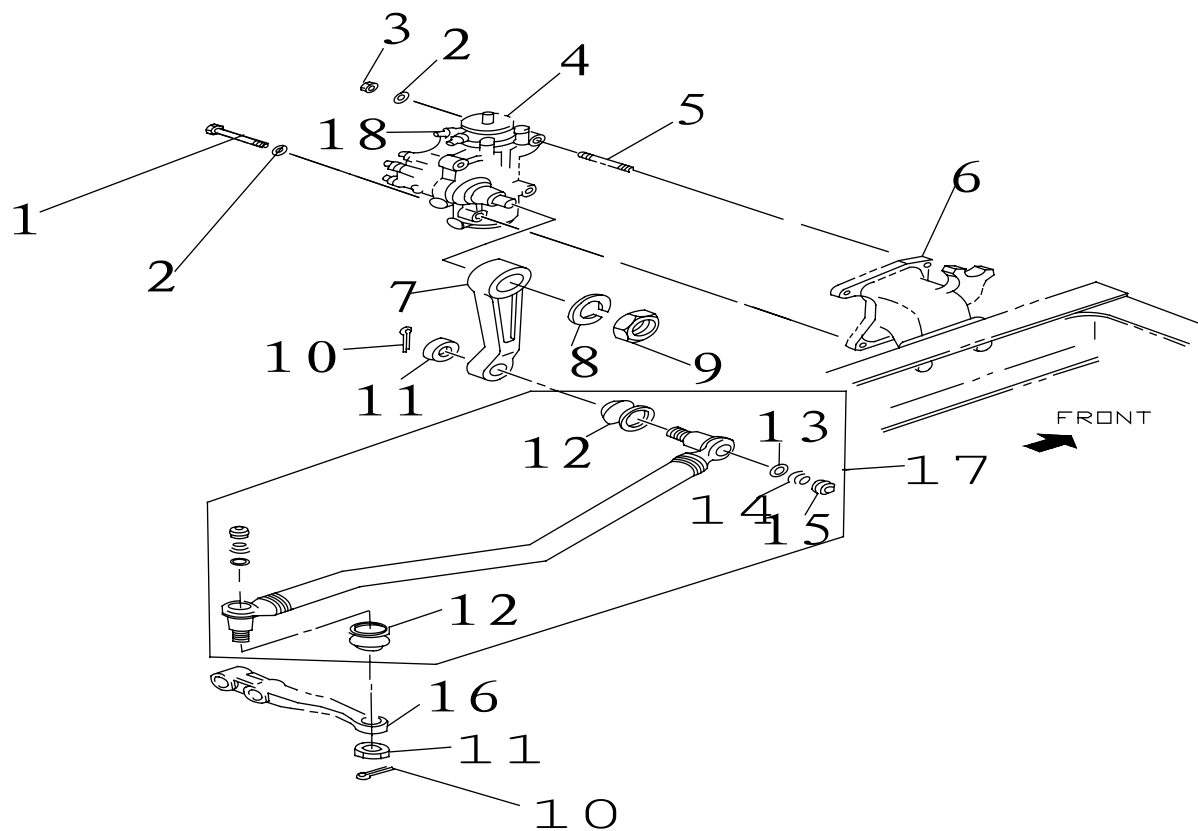
## 转向系统 / STEERING SYSTEM

34-2

| 序号<br>No. | 件号<br>Part No. | 数量<br>Quantity | 名称<br>Name                          | 规格<br>Specification | 适用产品<br>Products Applied                       | 备注<br>Remark |
|-----------|----------------|----------------|-------------------------------------|---------------------|--|--------------|
| 1         | Q151B1865TF2   | 2              | 六角头螺栓<br>Hexagon Head Bolt          |                     |  |              |
| 2         | Q40318         | 4              | 弹簧垫圈<br>Spring Washer               |                     |  |              |
| 3         | Q341B18T13F2   | 1              | 六角螺母<br>Hexagon Nut                 |                     |  |              |
| 4         | 3401AD-010     | 1              | 转向器<br>Steering Gear                |                     |  |              |
| 4         | 3401AD-010-B   | 1              | 转向器<br>Steering Gear                |                     |  |              |
| 5         | Q1291850       | 1              | 双头螺栓<br>Stud Bolt                   |                     |  |              |
| 6         | 3403AD-010     | 1              | 转向器支架<br>Steering Gear Bracket      |                     |  |              |
| 6         | 3403AD-010-B   | 1              | 转向器支架<br>Steering Gear Bracket      |                     | 3401AD-010-B 转向器<br>3401AD-010-B Steering Gear |              |
| 7         | 34AD-01310     | 1              | 转向垂臂<br>Steering Drop Arm           |                     |  |              |
| 7         | 34AD-01310-B   | 1              | 转向垂臂<br>Steering Drop Arm           |                     | 3401AD-010-B 转向器<br>3401AD-010-B Steering Gear |              |
| 8         | HQ40336        | 1              | 弹簧垫圈<br>Spring Washer               |                     | 3403AD-010-B 转向器<br>3403AD-010-B Steering Gear |              |
| 9         | 34AD-01311     | 1              | 六角薄螺母<br>Hexagon Thin Nut           |                     |  |              |
| 10        | Q5000545       | 2              | 开口销<br>Cotter Pin                   |                     |  |              |
| 11        | Q387B24        | 2              | 六角开槽薄螺母<br>Hexagon Slotted Thin Nut |                     |  |              |

## 转向直拉杆和转向垂臂图 / STEERING DRAG LINK AND STEERING DROP ARM

34-A





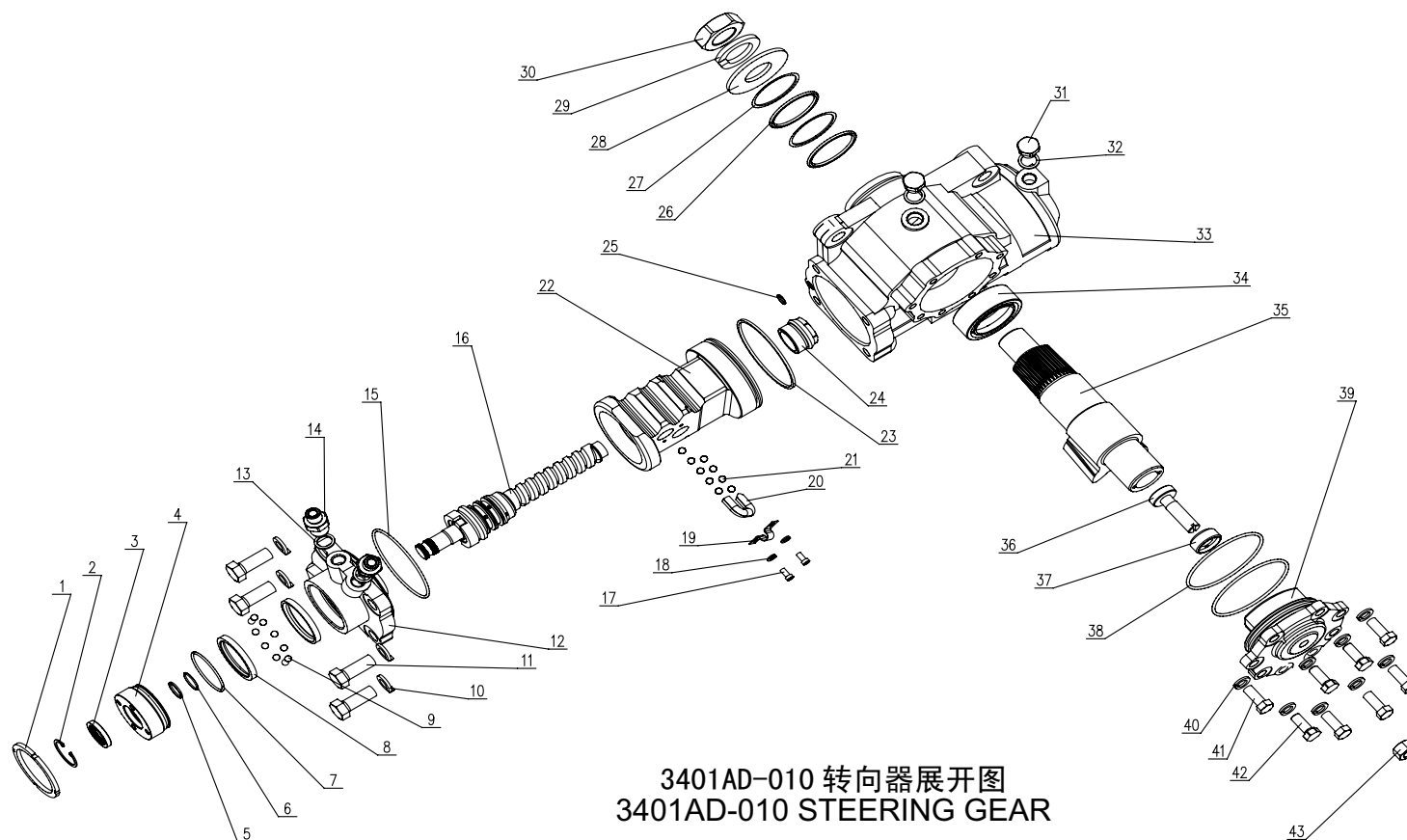
## 转向系统 / STEERING SYSTEM

34-4

| 序号<br>No. | 件号<br>Part No. | 数量<br>Quantity | 名称<br>Name                                | 规格<br>Specification | 适用产品<br>Products Applied                       | 备注<br>Remark |
|-----------|----------------|----------------|---|---------------------|--|--------------|
| 12        | 34AD-01361     | 2              | 防尘罩<br>Dust Cover                         |                     |  |              |
| 13        | 34AD-01359     | 2              | 直拉杆球头密封圈<br>Drag Rod Ball End Seal Washer |                     |  |              |
| 14        | 34AD-01352     | 2              | 螺旋弹簧<br>Coil Spring                       |                     |  |              |
| 15        | 34AD-01355     | 2              | 球头塞<br>Ball End Plug                      |                     |  |              |
| 16        | 3001044TSLA    | 1              | 转向节臂<br>Steering Knuckle Arm              |                     |  |              |
| 17        | 34AD-01350     | 1              | 转向直拉杆总成<br>Steering Drag Rod Assembly     |                     |  |              |
| 18        | 34AD-01011     | 2              | 直通接头体<br>Straight Connector               |                     |  |              |
| 18        | 34ADY-01012    | 2              | 铰接螺栓<br>Articulated Bolt                  |                     | 3401AD-010-B 转向器<br>3401AD-010-B Steering Gear |              |
| 18        | 34ADY-01013    | 2              | 铰接接头体<br>Articulated Connector            |                     | 3401AD-010-B 转向器<br>3401AD-010-B Steering Gear |              |

## 转向器展开图 / STEERING GEAR

34-B



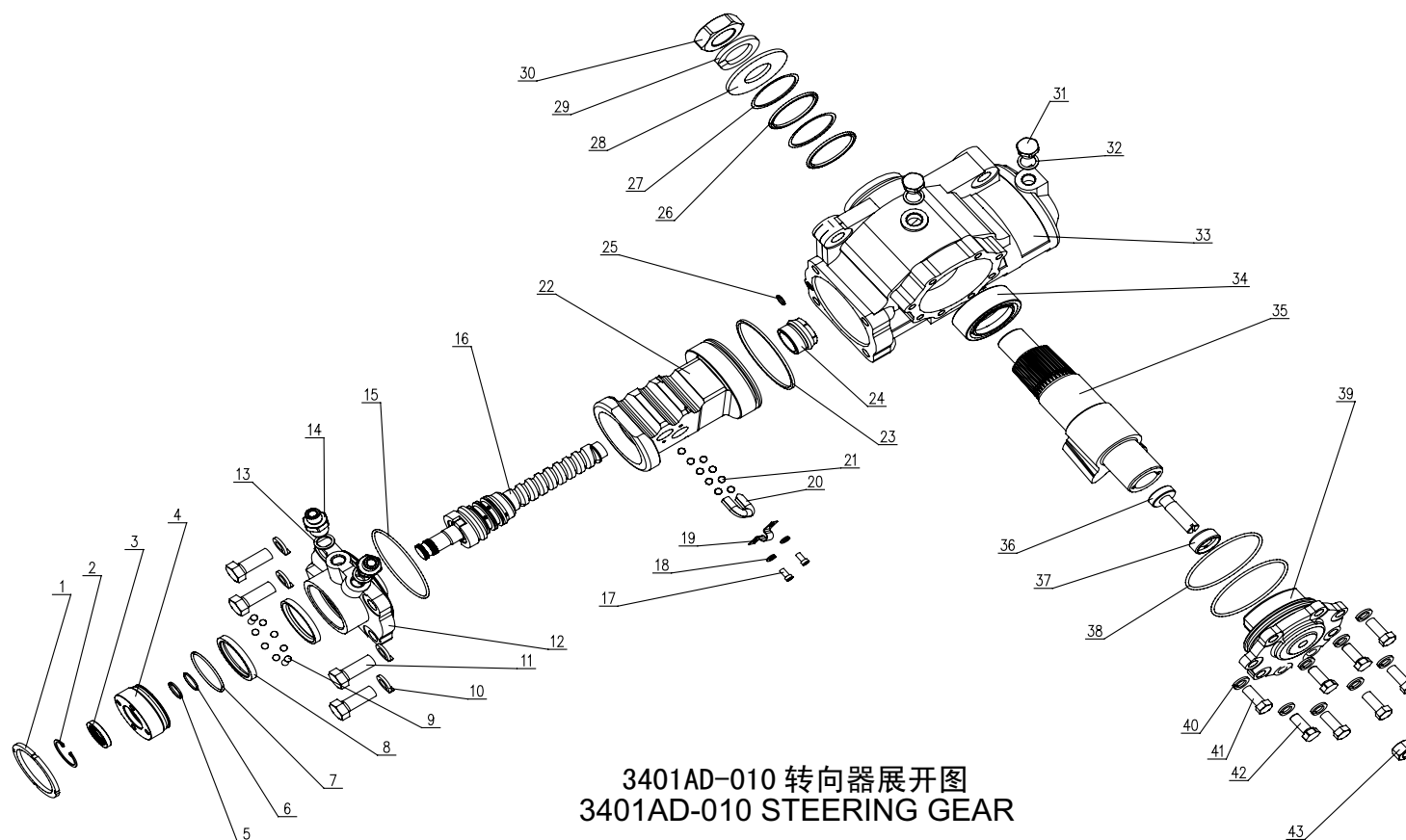
## 转向系统 / STEERING SYSTEM

34-6

| 序号<br>No. | 件号<br>Part No.    | 数量<br>Quantity | 名称<br>Name                                  | 规格<br>Specification | 适用产品<br>Products Applied | 备注<br>Remark      |
|-----------|-------------------|----------------|---|---------------------|--------------------------|-------------------|
| 1         | GX90A-3401112     | 1              | 锁紧螺母<br>Lock Nut                            |                     |                          |                   |
| 2         | Q43040            | 1              | 孔用弹性挡圈<br>Snap Ring For Holes               |                     |                          |                   |
| 3         | GX100B-3411065-20 | 1              | 油封总成 - 上盖<br>Oil Seal Assembly- Upper Cover |                     |                          | φ 25 × φ 40 × 7   |
| 4         | ZJ110-3411111     | 1              | 螺塞<br>Plug                                  |                     |                          |                   |
| 5         | GX100B-3411062-77 | 1              | 阀体密封环<br>Valve Body Seal Ring               |                     |                          | φ 25 × φ 22.2 × 2 |
| 6         | GB3452.1-92       | 1              | O 形圈<br>O-Ring                              |                     |                          | φ 26.5 × 1.8G     |
| 7         | GB3452.1-92       | 1              | O 形圈<br>O-Ring                              |                     |                          | φ 63 × 2.65G      |
| 8         | GX90C-3411112     | 2              | 轴承外圈<br>Bearing Outer Race                  |                     |                          |                   |
| 9         | GB308-84          | 20             | 钢球<br>Ball                                  |                     |                          | φ 8               |
| 10        | Q40316            | 4              | 弹簧垫圈<br>Spring Washer                       |                     |                          | 16                |
| 11        | Q151B1642TF3      | 4              | 六角头螺栓<br>Hexagon Head Bolt                  |                     |                          | M16 × 1.5 × 42    |
| 12        | ZJ110-3411112     | 1              | 前盖<br>Front Cover                           |                     |                          |                   |
| 13        | Q72318            | 2              | 密封垫圈<br>Seal Washer                         |                     |                          |                   |
| 14        | ZJ110-3411002     | 2              | 进出油口接头<br>Oil-In And Oil-Out Connector      |                     |                          |                   |

## 转向器展开图 / STEERING GEAR

34-B



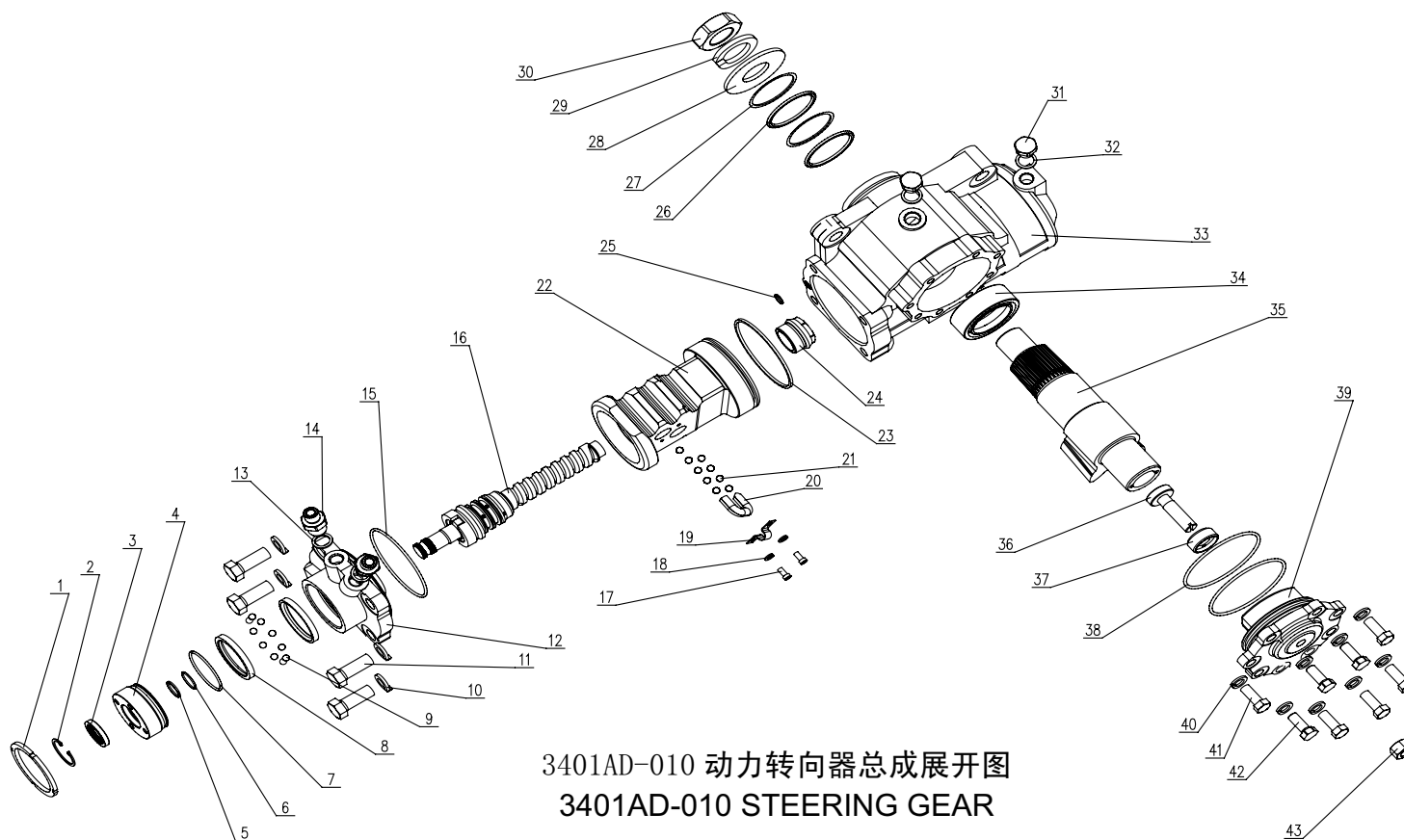
## 转向系统 / STEERING SYSTEM

34-8

| 序号<br>No. | 件号<br>Part No.    | 数量<br>Quantity | 名称<br>Name   | 规格<br>Specification | 适用产品<br>Products Applied | 备注<br>Remark            |
|-----------|-------------------|----------------|--|---------------------|--------------------------|-------------------------|
| 15        | GX110-3411112     | 1              | O形圈<br>O-Ring  |                     |                          | $\phi 103.8 \times 3.1$ |
| 16        | ZJ110-3411120     | 1              | 阀体总成<br>Valve Body Assembly                                |                     |                          |                         |
| 17        | Q218B0608         | 2              | 内六角螺钉<br>Inner Hexagon Screw                               |                     |                          | M6 $\times$ 8           |
| 18        | Q40306            | 2              | 弹簧垫圈<br>Spring Washer                                      |                     |                          | $\phi 6$                |
| 19        | GX100B-3411053-20 | 1              | 导管夹<br>Guide Clip  |                     |                          |                         |
| 20        | GX100B-3411052-77 | 2              | 钢球导管<br>Ball Guide   |                     |                          |                         |
| 21        | GB308-84          | 27             | 钢球<br>Ball   |                     |                          | $\phi 8$                |
| 22        | ZJ110-3411101     | 1              | 齿条活塞<br>Rack Piston  |                     |                          |                         |
| 23        | GX110C-3411102    | 1              | 齿条活塞密封圈<br>Rack Piston Seal Washer                         |                     |                          |                         |
| 24        | GX100D-3411112    | 1              | 堵塞<br>Blockage   |                     |                          |                         |
| 25        | GB3452.1-92       | 1              | O形圈<br>O-Ring  |                     |                          | $\phi 9.5 \times 1.8G$  |
| 26        | ZJ120-3411401     | 2              | 摇臂轴输出端密封圈(二)<br>Rocker Arm Shaft Output-End Seal Washer(2) |                     |                          |                         |
| 27        | ZJ120-3411402     | 2              | 摇臂轴输出端密封圈(一)<br>Rocker Arm Shaft Output-End Seal Washer(1) |                     |                          |                         |
| 28        | Q40136            | 1              | 平垫圈<br>Plate Washer  |                     |                          | $\phi 36$               |

## 转向器展开图 / STEERING GEAR

34-B



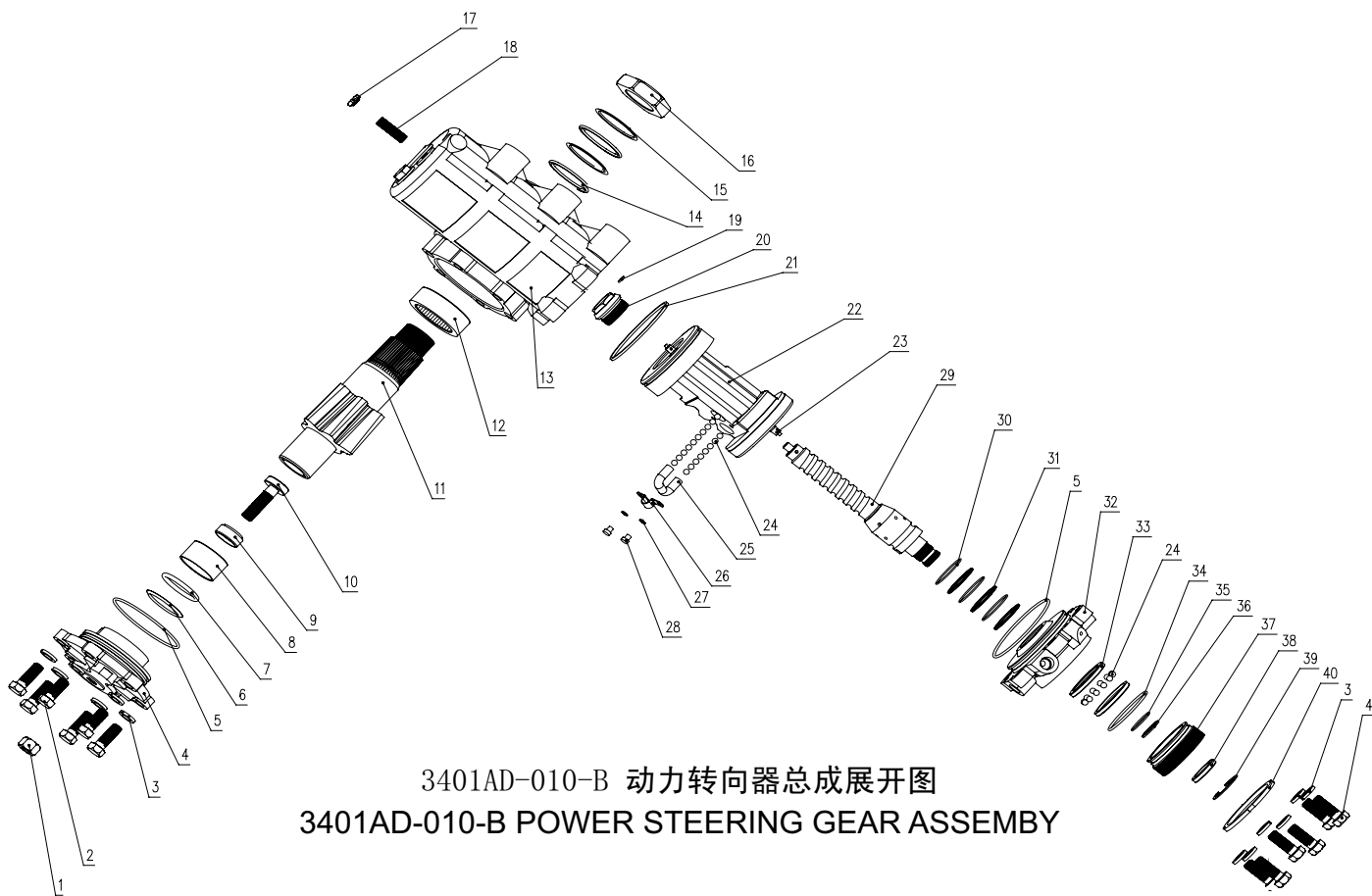
## 转向系统 / STEERING SYSTEM

34-10

| 序号<br>No. | 件号<br>Part No.   | 数量<br>Quantity | 名称<br>Name  | 规格<br>Specification | 适用产品<br>Products Applied | 备注<br>Remark |
|-----------|------------------|----------------|---|---------------------|--------------------------|--------------|
| 29        | GB93-87          | 1              | 弹簧垫圈<br>Spring Washer                               |                     |                          | φ36          |
| 30        | GX100C-3411011JN | 1              | 六角锁紧螺母<br>Hexagon Lock Nut                          |                     |                          | M36×1.5      |
| 31        | GX90A-3401221    | 2              | 磁性螺塞体<br>Magnetic Plug Body                         |                     |                          |              |
| 32        | Q72318           | 2              | 密封垫圈<br>Seal Washer                                 |                     |                          |              |
| 33        | ZJ110-3411201    | 1              | 壳体<br>Casing  |                     |                          |              |
| 34        | NK 60/28         | 1              | 无内圈滚针轴承<br>Needle Roller Bearing Without Inner Ring |                     |                          |              |
| 35        | GX90C-3411311    | 1              | 摇臂轴<br>Rocker Arm Shaft                             |                     |                          |              |
| 36        | GX90C-3411314    | 1              | 调整螺钉<br>Adjusting Screw                             |                     |                          |              |
| 37        | GX90C-3411313    | 1              | 臂轴螺塞<br>Arm Shaft Plug                              |                     |                          |              |
| 38        | GB3452.1-92      | 2              | O形圈<br>O-Ring                                       |                     |                          | φ97.5×3.55G  |
| 39        | ZJ110-3411320    | 1              | 侧盖组件<br>Side Cover Set                              |                     |                          |              |
| 40        | Q40312           | 8              | 弹簧垫圈<br>Spring Washer                               |                     |                          | φ12          |
| 41        | Q151B1230TF3     | 5              | 六角头螺栓<br>Hexagon Head Bolt                          |                     |                          | M12×1.25×30  |
| 42        | Q341B16          | 1              | 六角螺母<br>Hexagon Nut                                 |                     |                          | M16×1.5      |

## 转向器展开图 / STEERING GEAR

34-C





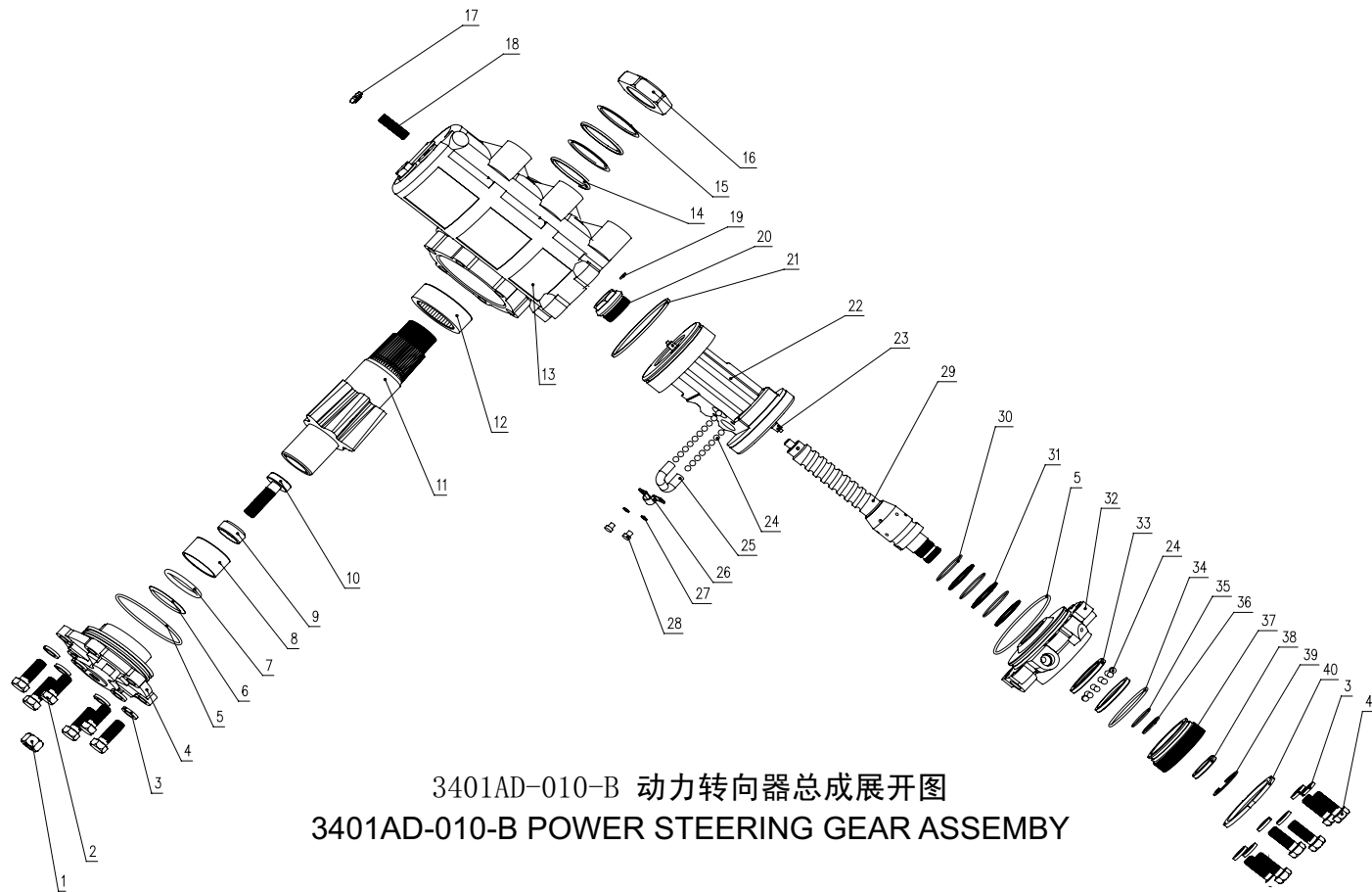
## 转向系统 / STEERING SYSTEM

34-12

| 序号<br>No. | 件号<br>Part No.  | 数量<br>Quantity | 名称<br>Name   | 规格<br>Specification | 适用产品<br>Products Applied | 备注<br>Remark |
|-----------|-----------------|----------------|--|---------------------|--------------------------|--------------|
| 1         | Q341B16         | 1              | 六角螺母<br>Hexagon Nut                                    |                     |                          | M16×1.5      |
| 2         | Q151B1435       | 6              | 六角头螺栓<br>Hexagon Head Bolt                             |                     |                          | M14×1.5×35   |
| 3         | Q40315          | 12             | 弹簧垫圈<br>Spring Washer                                  |                     |                          | φ 14         |
| 4         | GX110C-3411321  | 1              | 侧盖<br>Side Cover                                       |                     |                          |              |
| 5         | GX110C-3411112  | 3              | O形圈<br>O-Ring  |                     |                          | φ 103.8×3.1  |
| 6         | GX110C-3411301  | 1              | 挡圈<br>Retainer   |                     |                          |              |
| 7         | GX110C-3411302  | 1              | O形圈<br>O-Ring  |                     |                          | φ 48.6×5.7   |
| 8         | GX110C-34111322 | 1              | 复合轴承<br>Combination Bearing                            |                     |                          |              |
| 9         | GX90C-3411313   | 1              | 臂轴螺塞<br>Arm Shaft Plug                                 |                     |                          |              |
| 10        | GX90C-3411314   | 1              | 调整螺钉<br>Adjusting Screw                                |                     |                          |              |
| 11        | ZJ120-3411301   | 1              | 摇臂轴<br>Rocker Arm Shaft                                |                     |                          |              |
| 12        | NK60/28         | 1              | 无内圈滚针轴承<br>Needle Roller Bearing Without Inner Ring    |                     |                          |              |
| 13        | ZJ120C-3411301  | 1              | 壳体<br>Casing   |                     |                          |              |
| 14        | ZJ120-3411402   | 2              | 摇臂轴输出端密封环 2<br>Rocker Arm Shaft Output-End Seal Ring 2 |                     |                          |              |

## 转向器展开图 / STEERING GEAR

34-C



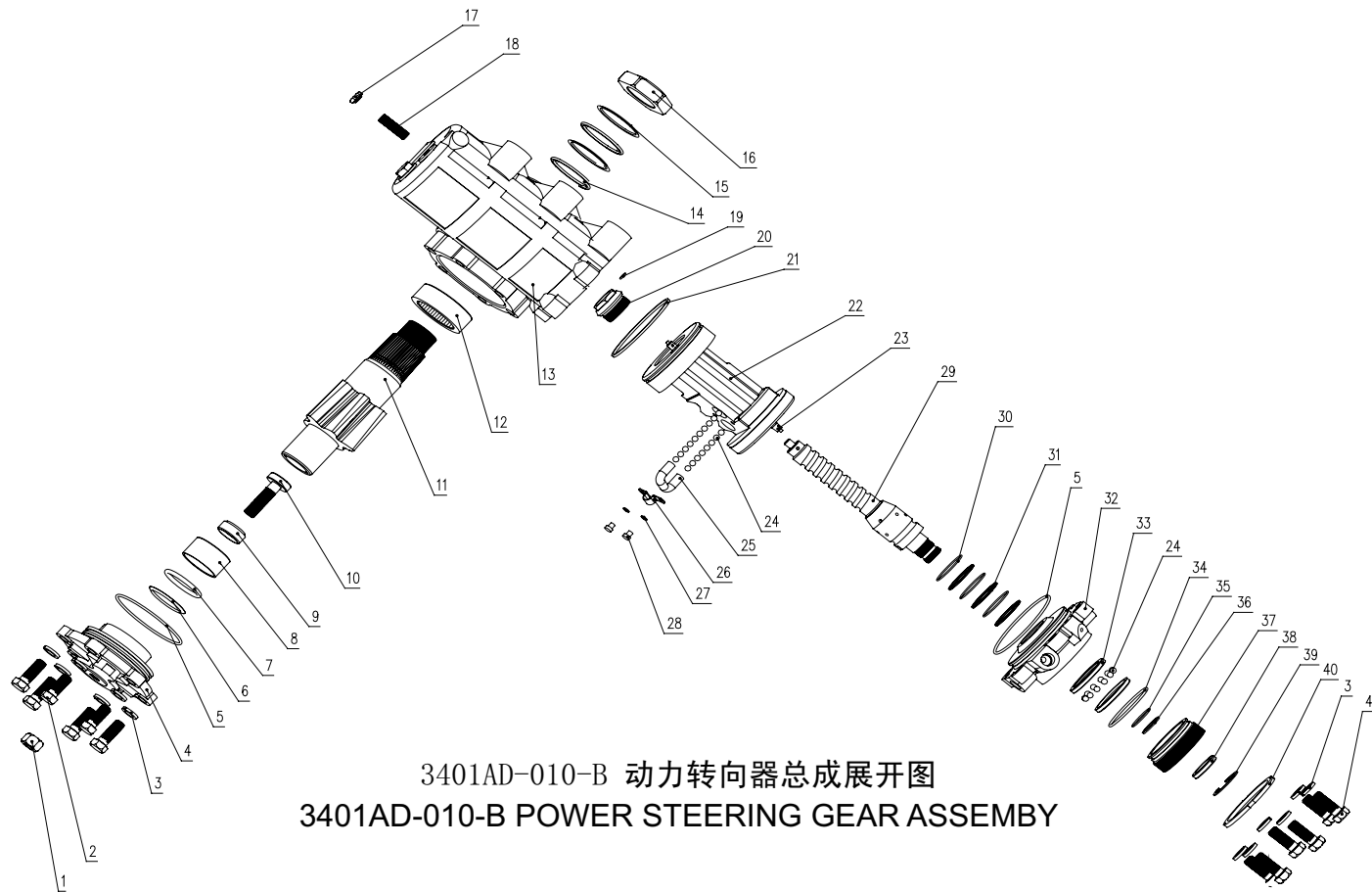
## 转向系统 / STEERING SYSTEM

34-14

| 序号<br>No. | 件号<br>Part No.    | 数量<br>Quantity | 名称<br>Name   | 规格<br>Specification | 适用产品<br>Products Applied | 备注<br>Remark |
|-----------|-------------------|----------------|--|---------------------|--------------------------|--------------|
| 15        | ZJ120-3411401     | 2              | 摇臂轴输出端密封环 I<br>Rocker Arm Shaft Output-End Seal Ring I |                     |                          |              |
| 16        | ZJ120-3411004     | 1              | 六角锁紧螺母<br>Hexagon Lock Nut                             |                     |                          |              |
| 17        | 3401F-034         | 1              | 密封螺母<br>Seal Nut                                       |                     |                          |              |
| 18        | ZJ120C-3411308    | 1              | 行程限位螺钉<br>Stroke Limiting Screw                        |                     |                          |              |
| 19        | GB3452.1-92       | 1              | O形圈<br>O-Ring  |                     |                          |              |
| 20        | GX100D-3411112    | 1              | 堵塞<br>Blockage   |                     |                          | φ9.5×1.8     |
| 21        | GX110C-3411102    | 1              | 齿条活塞密封圈<br>Rack Piston Seal Washer                     |                     |                          |              |
| 22        | ZJ120-3411181     | 1              | 齿条活塞<br>Rack Piston                                    |                     |                          |              |
| 23        | GX100C-3411135JN  | 1              | 限位阀<br>Limiting Valve                                  |                     |                          |              |
| 24        | GB308-84          | 44             | 刚球<br>Ball   |                     |                          | φ8           |
| 25        | GX100B-3411052-77 | 2              | 刚球导管<br>Ball Guide                                     |                     |                          |              |
| 26        | GX100B-3411053-20 | 1              | 导管夹<br>Guide Clip                                      |                     |                          |              |
| 27        | Q40306            | 2              | 弹簧垫圈<br>Spring Washer                                  |                     |                          | φ6           |
| 28        | Q2180608          | 2              | 内六角螺栓<br>Inner Hexagon Bolt                            |                     |                          | M6×8         |

## 转向器展开图 / STEERING GEAR

34-C



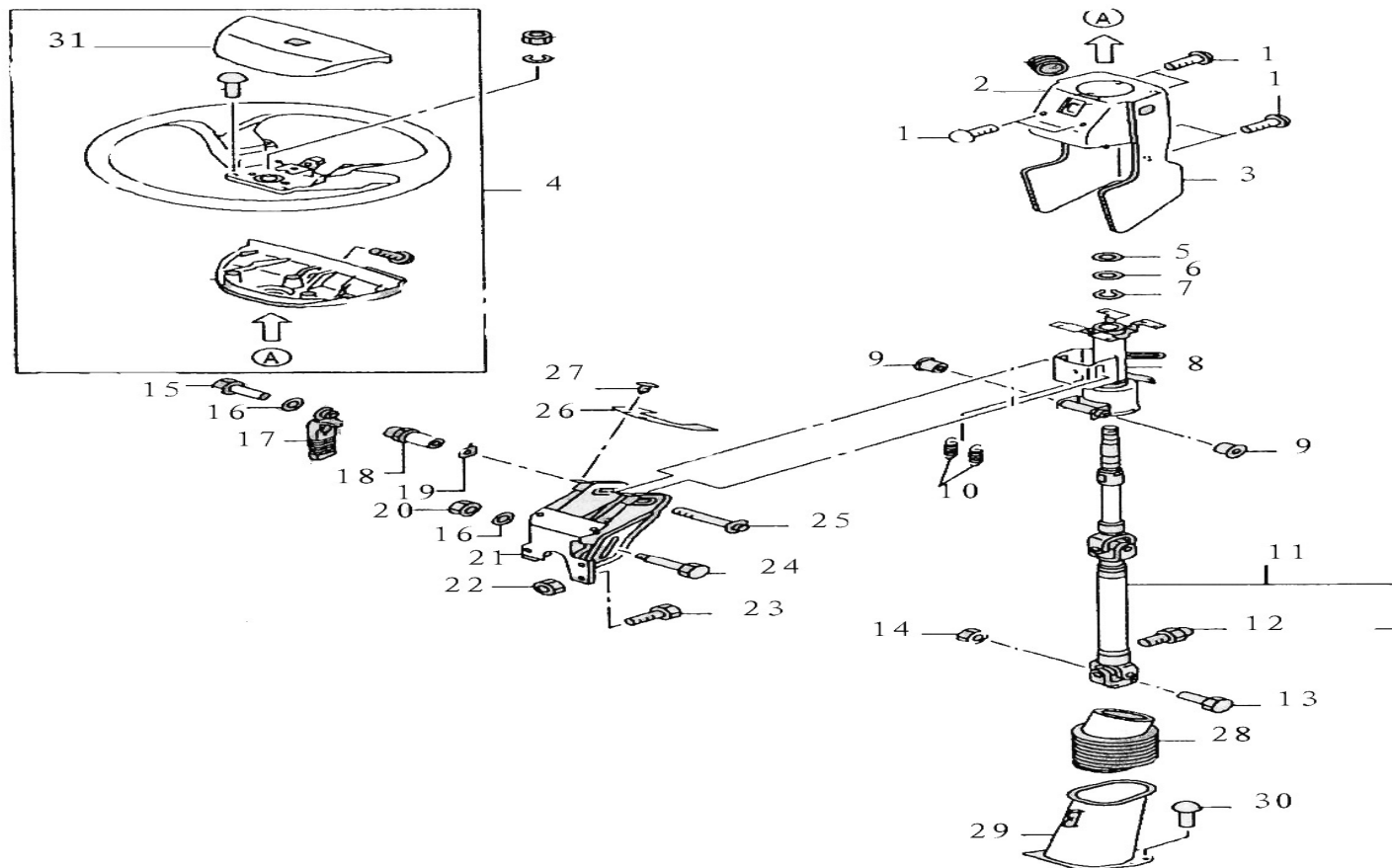
## 转向系统 / STEERING SYSTEM

34-16

| 序号<br>No. | 件号<br>Part No.    | 数量<br>Quantity | 名称<br>Name                         | 规格<br>Specification | 适用产品<br>Products Applied | 备注<br>Remark      |
|-----------|-------------------|----------------|------------------------------------|---------------------|--------------------------|-------------------|
| 29        | ZJ120C-3411110    | 1              | 阀体总成<br>Valve Body Assembly        |                     |                          |                   |
| 30        | ZJ120C-3411153    | 3              | O形圈<br>O-Ring                      |                     |                          | φ47.2×1.8         |
| 31        | ZJ120C-3411152    | 3              | 密封环<br>Seal Ring                   |                     |                          |                   |
| 32        | ZJ120C-3411151    | 1              | 前盖<br>Front Cover                  |                     |                          |                   |
| 33        | ZJ120C-3411111    | 2              | 轴承外圈<br>Bearing Outer Race         |                     |                          | 组合件<br>Components |
| 34        | Q7343175C         | 1              | O形圈<br>O-Ring                      |                     |                          |                   |
| 35        | GB3452.1-92       | 1              | O形圈<br>O-Ring                      |                     |                          | φ30×1.8           |
| 36        | GX110C-3411115    | 1              | 密封环<br>Seal Ring                   |                     |                          |                   |
| 37        | ZJ120C-3411171    | 1              | 螺塞<br>Plug                         |                     |                          |                   |
| 38        | GX90A-3401111     | 1              | 双唇口骨架油封<br>Double Lip Frame Seal   |                     |                          |                   |
| 39        | Q43040            | 1              | 孔用弹性挡圈<br>Elastic Ring For Hole    |                     |                          |                   |
| 40        | GX100B-3411166-77 | 1              | 防松螺母 - 上盖<br>Check Nut-Upper Cover |                     |                          |                   |
| 41        | Q151B1440         | 6              | 六角头螺栓<br>Hexagon Head Bolt         |                     |                          | M14×1.5×40        |

## 转向管柱图 / STEERING COLUMN

34-D



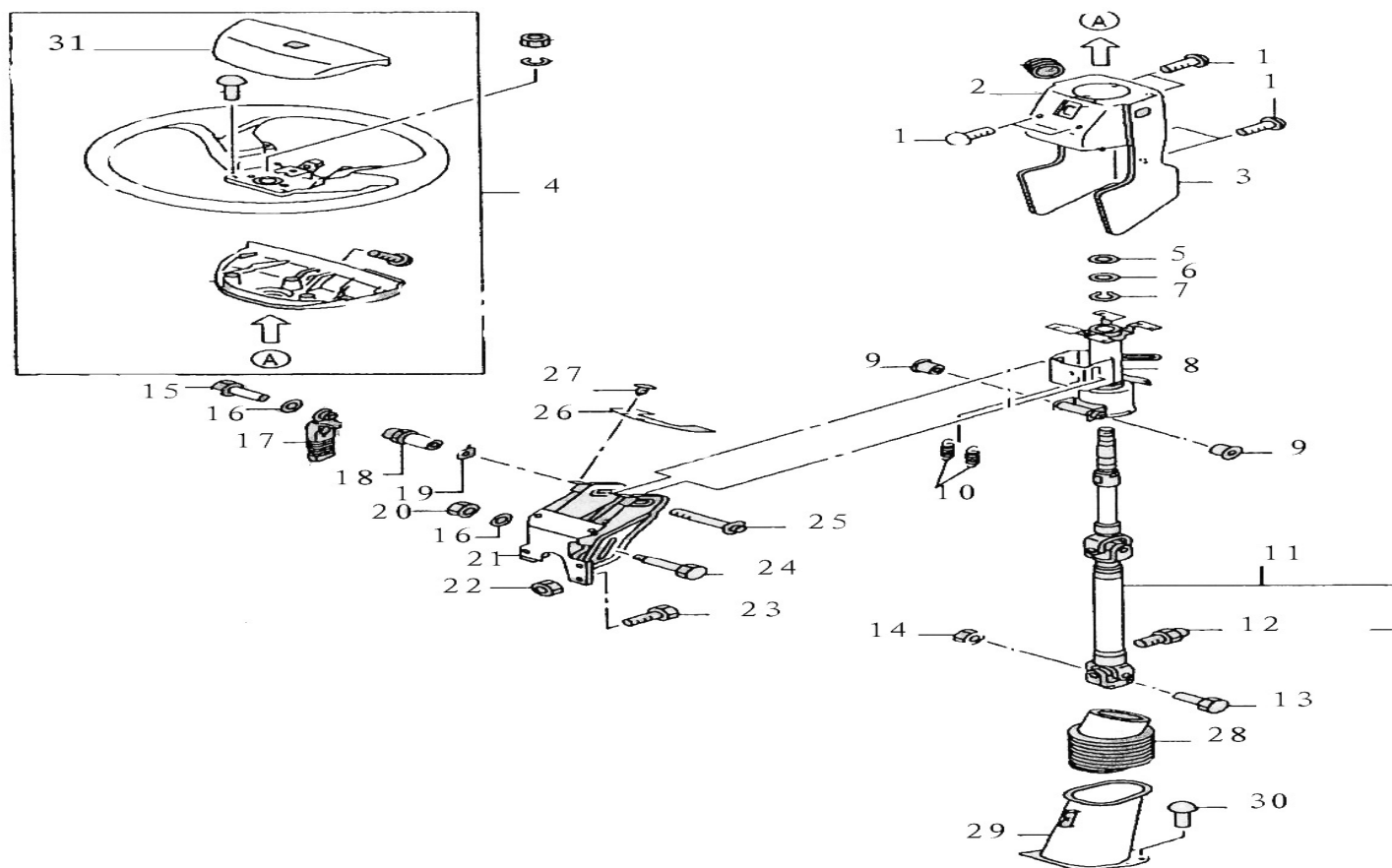
## 转向系统 / STEERING SYSTEM

34-18

| 序号<br>No. | 件号<br>Part No.   | 数量<br>Quantity | 名称<br>Name   | 规格<br>Specification | 适用产品<br>Products Applied | 备注<br>Remark |
|-----------|------------------|----------------|--|---------------------|--------------------------|--------------|
| 1         | Q2360516         | 6              | 组合螺钉<br>Combination Screw                                |                     |                          |              |
| 2         | 53A-05211        | 1              | 转向柱上护罩 - 前<br>Steering Column Upper Shield-Front         |                     |                          |              |
| 3         | 53A-05212        | 1              | 转向柱上护罩 - 后<br>Steering Column Lower Shield-Rear          |                     |                          |              |
| 4         | 53A-05210        | 1              | 方向盘总成<br>Steering Wheel Assembly                         |                     |                          |              |
| 5         | Q43125           | 1              | 轴用弹性挡圈<br>Spring Retainer For Axle                       |                     |                          |              |
| 6         | FST03.01-3404031 | 1              | 碗形垫圈<br>Bowl Washer                                      |                     |                          |              |
| 7         | FST03.01-3404032 | 1              | 橡胶垫片<br>Rubber Shim                                      |                     |                          |              |
| 8         | FST03.01-3404042 | 1              | 转向柱上支架<br>Steering Column Upper Bracket                  |                     |                          |              |
| 9         | FST03.01-3404057 | 2              | 衬套<br>Bushing  |                     |                          |              |
| 10        | FST03.01-3404066 | 2              | 拉伸弹簧<br>Extension Spring                                 |                     |                          |              |
| 11        | EQ153 转          | 1              | 转向节<br>Steering Knuckle                                  |                     |                          |              |
| 12        | Q701B45          | 1              | 润滑嘴<br>Grease Nozzle                                     |                     |                          |              |
| 13        | Q150B1045        | 1              | 六角头螺栓<br>Hexagon Head Bolt                               |                     |                          |              |
| 14        | Q33010           | 1              | 全金属六角法兰面锁紧螺母<br>All-Metal Hexagonal With Flange Lock Nut |                     |                          |              |

## 转向管柱图 / STEERING COLUMN

34-D





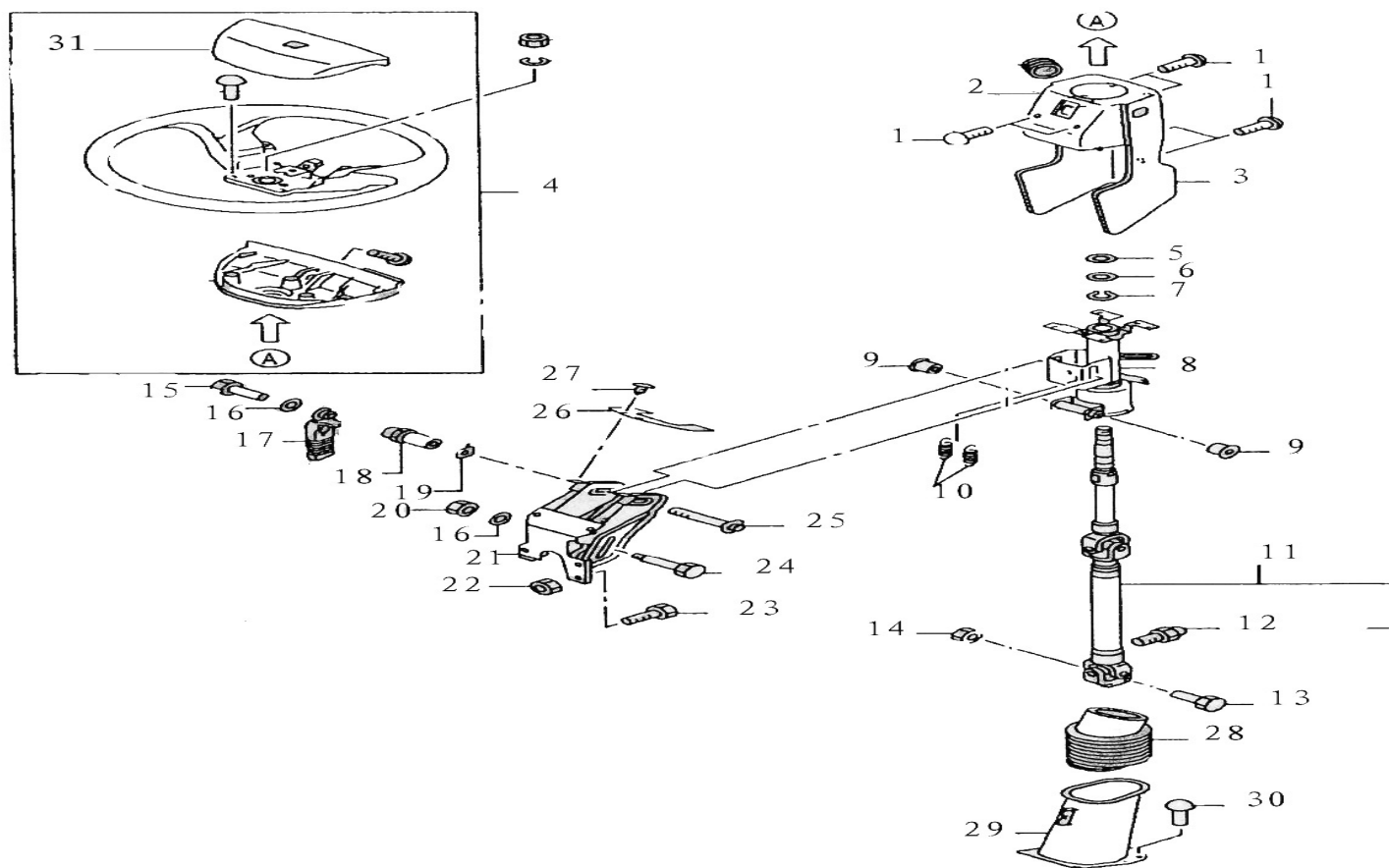
## 转向系统 / STEERING SYSTEM

34-20

| 序号<br>No. | 件号<br>Part No.   | 数量<br>Quantity | 名称<br>Name   | 规格<br>Specification | 适用产品<br>Products Applied | 备注<br>Remark |
|-----------|------------------|----------------|--|---------------------|--------------------------|--------------|
| 15        | Q1800812         | 1              | 六角法兰面承面带齿螺栓<br>Hexagon Carring Side Tooth Bolt With Flange |                     |                          |              |
| 16        | 3404053          | 2              | 垫圈<br>Washer   |                     |                          |              |
| 17        | FST03.01-3404065 | 1              | 手柄总成<br>Handle Assembly                                    |                     |                          |              |
| 18        | FST03.01-3404063 | 1              | 压紧螺母<br>Tension Nut  |                     |                          |              |
| 19        | FST03.01-3404053 | 1              | 垫圈<br>Washer   |                     |                          |              |
| 20        | Q33408           | 1              | 锁紧螺母<br>Lock Nut   |                     |                          |              |
| 21        | FST03.01-3404043 | 1              | 转向柱下支架<br>Steering Column Lower Bracket                    |                     |                          |              |
| 22        | Q32008           | 2              | 六角法兰面螺母<br>Hexagon Nut With Flange                         |                     |                          |              |
| 23        | Q1460820         | 2              | 六角组合螺栓<br>Hexagon Combination Bolt                         |                     |                          |              |
| 24        | FST03.01-3404052 | 1              | 下螺栓<br>Lower Bolt  |                     |                          |              |
| 25        | FST03.01-3404056 | 1              | 锁紧螺栓<br>Lock Bolt  |                     |                          |              |
| 26        | FST03.01-3404018 | 1              | 支架盖板<br>Bracket Panel                                      |                     |                          |              |
| 27        | FST03.01-3404019 | 2              | 管夹<br>Tube Clamp   |                     |                          |              |
| 28        | 53A-05214        | 1              | 转向柱橡胶护罩<br>Steering Column Rubber Shield                   |                     |                          |              |

## 转向管柱图 / STEERING COLUMN

34-D



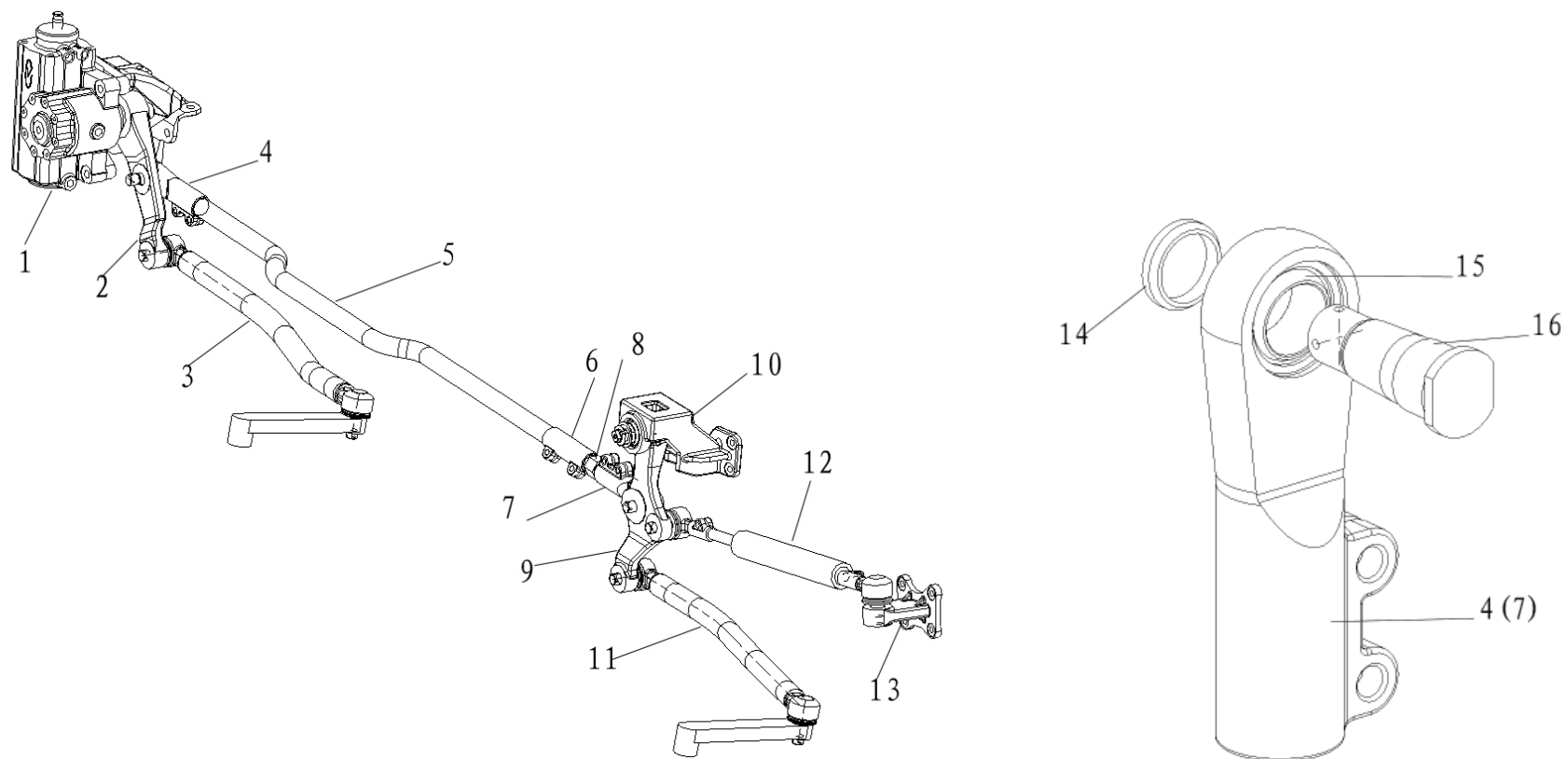
## 转向系统 / STEERING SYSTEM

34-22

| 序号<br>No. | 件号<br>Part No. | 数量<br>Quantity | 名称<br>Name                               | 规格<br>Specification | 适用产品<br>Products Applied | 备注<br>Remark |
|-----------|----------------|----------------|--|---------------------|--------------------------|--------------|
| 29        | 53A-05213      | 1              | 转向柱下护罩<br>Steering Column Lower Shield   |                     |                          |              |
| 30        | Q1460825       | 4              | 六角头组合螺栓<br>Hexagon Head Combination Bolt |                     |                          |              |
| 31        | 53A-05028      | 1              | 方向盘盖板总成<br>Steering Wheel Panel Assembly |                     |                          |              |

## 转向直拉杆和垂臂 / STEERING DRAG LINK AND STEERING DROP ARM

## 34-E



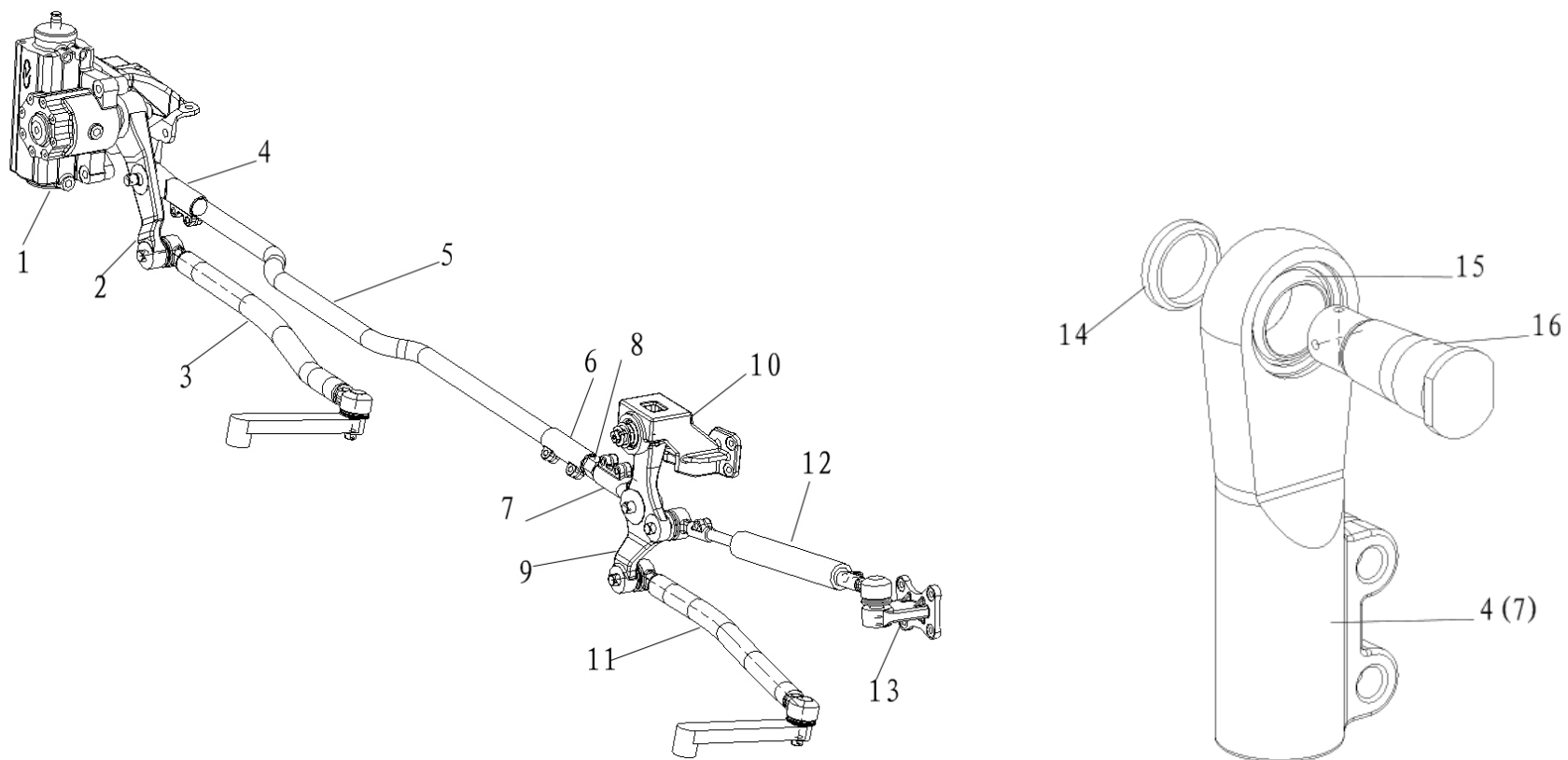
## 转向系统 / STEERING SYSTEM

34-24

| 序号<br>No. | 件号<br>Part No. | 数量<br>Quantity | 名称<br>Name                            | 规格<br>Specification | 适用产品<br>Products Applied | 备注<br>Remark |
|-----------|----------------|----------------|---------------------------------------|---------------------|--------------------------|--------------|
| 1         | 3401ADP5-010   | 1              | 转向器<br>Steering Gear                  |                     | 8×4 系列<br>8×4 Series     |              |
| 2         | 34ADP5-01310   | 1              | 转向垂臂<br>Steering Drop Arm             |                     | 8×4 系列<br>8×4 Series     |              |
| 3         | 34AD-01350     | 1              | 转向直拉杆总成<br>Steering Drag Rod Assembly |                     | 8×4 系列<br>8×4 Series     |              |
| 4         | 34ADP5-01360   | 1              | 轴承支座<br>Bearing Mount                 |                     | 8×4 系列<br>8×4 Series     |              |
| 5         | 34ADP5-01365   | 1              | 转向连杆<br>Steering Connecting Rod       |                     | 8××4 系列<br>8×4 Series    |              |
| 6         | 34ADP5-01366   | 1              | 连杆卡套<br>Connecting Rod Cutting Sleeve |                     | 8×4 系列<br>8×4 Series     |              |
| 7         | 34ADP5-01360   | 1              | 轴承支座<br>Bearing Mount                 |                     | 8×4 系列<br>8×4 Series     |              |
| 8         | 34ADP5-01367   | 1              | 调节杆<br>Regulating Stem                |                     | 8×4 系列<br>8×4 Series     |              |
| 9         | 34ADP5-01378   | 1              | 中间垂臂<br>Middle Drop Arm               |                     | 8×4 系列<br>8×4 Series     |              |
| 10        | 34ADP5-01370   | 1              | 中间臂支架<br>Middle Arm Bracket           |                     | 8×4 系列<br>8×4 Series     |              |
| 11        | 34ADP5-01380   | 1              | 第二直拉杆<br>Second Drag Rod              |                     | 8×4 系列<br>8×4 Series     |              |
| 12        | 34ADP5-01390   | 1              | 转向助力油缸<br>Steering Boost Oil Cylinder |                     | 8×4 系列<br>8×4 Series     |              |
| 13        | 34ADP5-01397   | 1              | 油缸球头支座<br>Oil Cylinder Ball Mount     |                     | 8×4 系列<br>8×4 Series     |              |
| 14        | 34ADP5-01363   | 1              | 垫圈<br>Washer                          |                     | 8×4 系列<br>8×4 Series     |              |

## 转向直拉杆和垂臂 / STEERING DRAG LINK AND STEERING DROP ARM

## 34-E



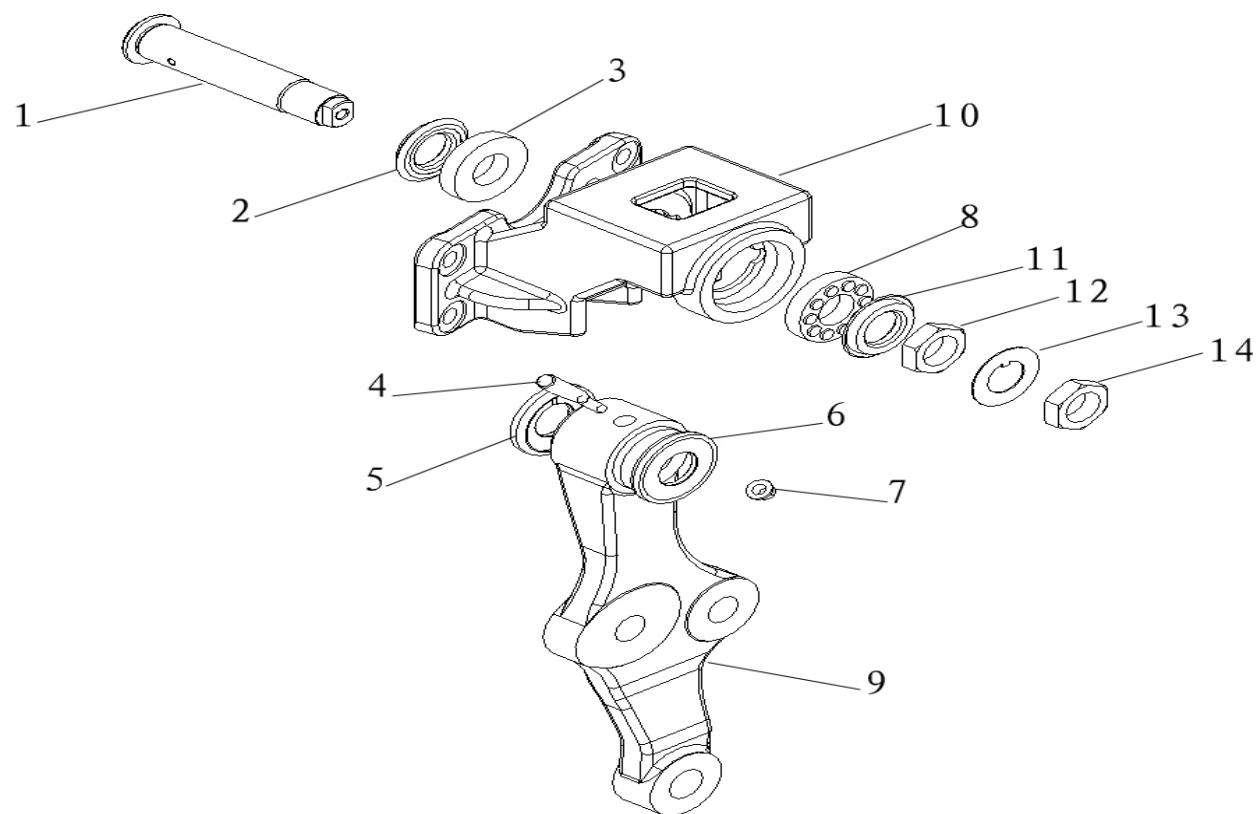
## 转向系统 /STEERING SYSTEM

34-26

| 序号<br>No. | 件号<br>Part No. | 数量<br>Quantity | 名称<br>Name              | 规格<br>Specification | 适用产品<br>Products Applied | 备注<br>Remark |
|-----------|----------------|----------------|-------------------------|---------------------|--------------------------|--------------|
| 15        | GE30           | 2              | 关节轴承<br>Knuckle Bearing |                     | 8×4 系列<br>8×4 Series     |              |
| 16        | 34ADP5-01362   | 2              | 销<br>Pin                |                     | 8×4 系列<br>8×4 Series     |              |

## 中间臂支架及垂臂装配图 / MIDDLE ARM BRACKET AND DROP ARM

34-F





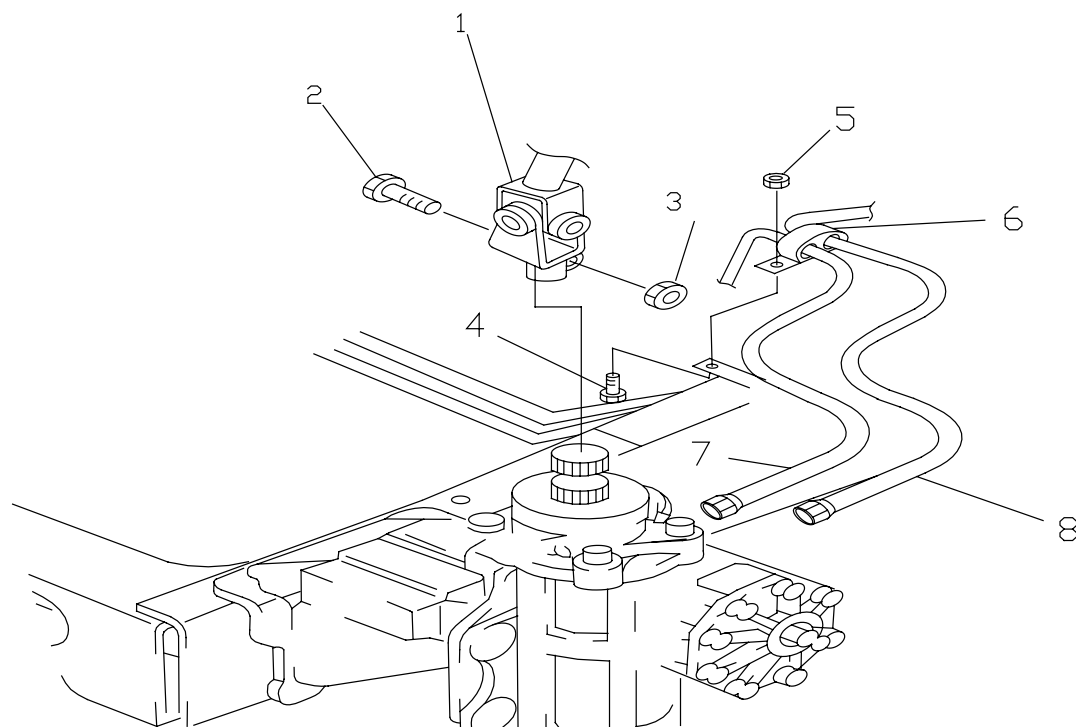
## 转向系统 / STEERING SYSTEM

34-28

| 序号<br>No. | 件号<br>Part No. | 数量<br>Quantity | 名称<br>Name                          | 规格<br>Specification | 适用产品<br>Products Applied | 备注<br>Remark |
|-----------|----------------|----------------|-------------------------------------|---------------------|--------------------------|--------------|
| 1         | 34ADP5-01372   | 1              | 轴<br>Axle                           |                     | 8×4 系列<br>8×4 Series     |              |
| 2         | 34ADP5-01376   | 1              | 密封垫片 I<br>Seal Shim I               |                     | 8×4 系列<br>8×4 Series     |              |
| 3         | 7206E          | 1              | 锁销<br>Knock Pin                     |                     | 8×4 系列<br>8×4 Series     |              |
| 4         | 34ADP5-01379   | 1              | 密封垫片 II<br>Seal Shim II             |                     | 8×4 系列<br>8×4 Series     |              |
| 5         | 34ADP5-01377   | 1              | 密封垫片 II<br>Seal Shim II             |                     | 8×4 系列<br>8×4 Series     |              |
| 6         | 34ADP5-01377   | 1              | 六角法兰面螺母<br>Hexagon Nut With Flange  |                     | 8×4 系列<br>8×4 Series     |              |
| 7         | Q32008         | 1              | 轴承<br>Bearing                       |                     | 8×4 系列<br>8×4 Series     |              |
| 8         | 7206E          | 1              | 中间垂臂<br>Middle Drop Arm             |                     | 8×4 系列<br>8×4 Series     |              |
| 9         | 34ADP5-01378   | 1              | 中间臂支架<br>Middle Arm Bracket         |                     | 8×4 系列<br>8×4 Series     |              |
| 10        | 34ADP5-01370   | 1              | 中间臂支架<br>Middle Arm Bracket         |                     | 8×4 系列<br>8×4 Series     |              |
| 11        | 34ADP5-01376   | 1              | 密封垫片 I<br>Seal Shim I               |                     | 8×4 系列<br>8×4 Series     |              |
| 12        | Q387B24        | 1              | 六角薄螺母<br>Hexagonal Thin Nut         |                     | 8×4 系列<br>8×4 Series     |              |
| 13        | 34ADP5-01374   | 1              | 锁片<br>Locking Plate                 |                     | 8×4 系列<br>8×4 Series     |              |
| 14        | Q387B24        | 1              | 六角开槽薄螺母<br>Hexagon Slotted Thin Nut |                     | 8×4 系列<br>8×4 Series     |              |

# 转向器连转向管柱图

## STEERING GEAR CONNECTING STEERING COLUMN

**34-G**

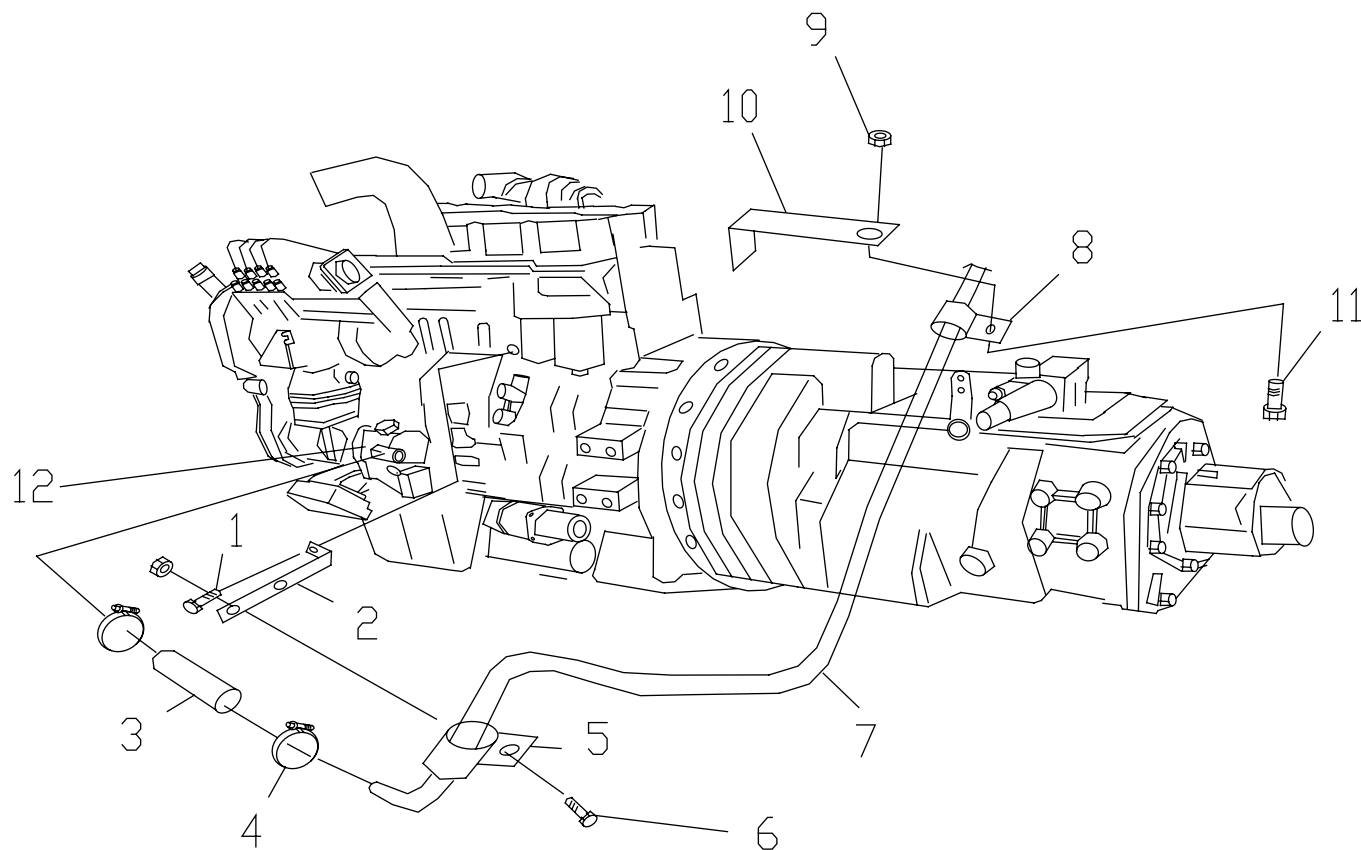
## 转向系统 / STEERING SYSTEM

34-30

| 序号<br>No. | 件号<br>Part No. | 数量<br>Quantity | 名称<br>Name   | 规格<br>Specification | 适用产品<br>Products Applied                       | 备注<br>Remark |
|-----------|----------------|----------------|--|---------------------|--|--------------|
| 1         | 3404AD-010     | 1              | 转向轴及万向节<br>Steering Shaft And Universal Joint                |                     |  |              |
| 1         | 3404AD-010-B   |                | 转向轴及万向节<br>Steering Shaft And Universal Joint                |                     | 3403AD-010-B 转向器<br>3403AD-010-B Steering Gear |              |
| 2         | Q150B1045      | 1              | 六角头螺栓<br>Hexagon Head Bolt                                   |                     |  |              |
| 3         | Q33010         | 1              | 全金属六角法兰面锁紧螺母<br>All-Metal Hexagon Lock Nut With Flange       |                     |  |              |
| 4         | Q1460616       | 1              | 六角头平垫圈组合螺栓<br>Hexagon Head And Plate Washer Combination Bolt |                     |  |              |
| 5         | Q340B06        | 1              | 六角螺母<br>Hexagon Nut  |                     |  |              |
| 6         | 37AD-33418     | 1              | 定位夹<br>Locating Clip   |                     |  |              |
| 7         | 34A4D-06005    | 1              | 油管<br>Oil Pipe   |                     | 3403AD-010-B 转向器<br>3403AD-010-B Steering Gear |              |
| 8         | 34A4D-06035    | 1              | 油管<br>Oil Pipe   |                     | 3403AD-010-B 转向器<br>3403AD-010-B Steering Gear |              |

## 转向油管连转向油泵图 / STEERING OIL PIPE CONNECTING STEERING OIL PUMP

34-H



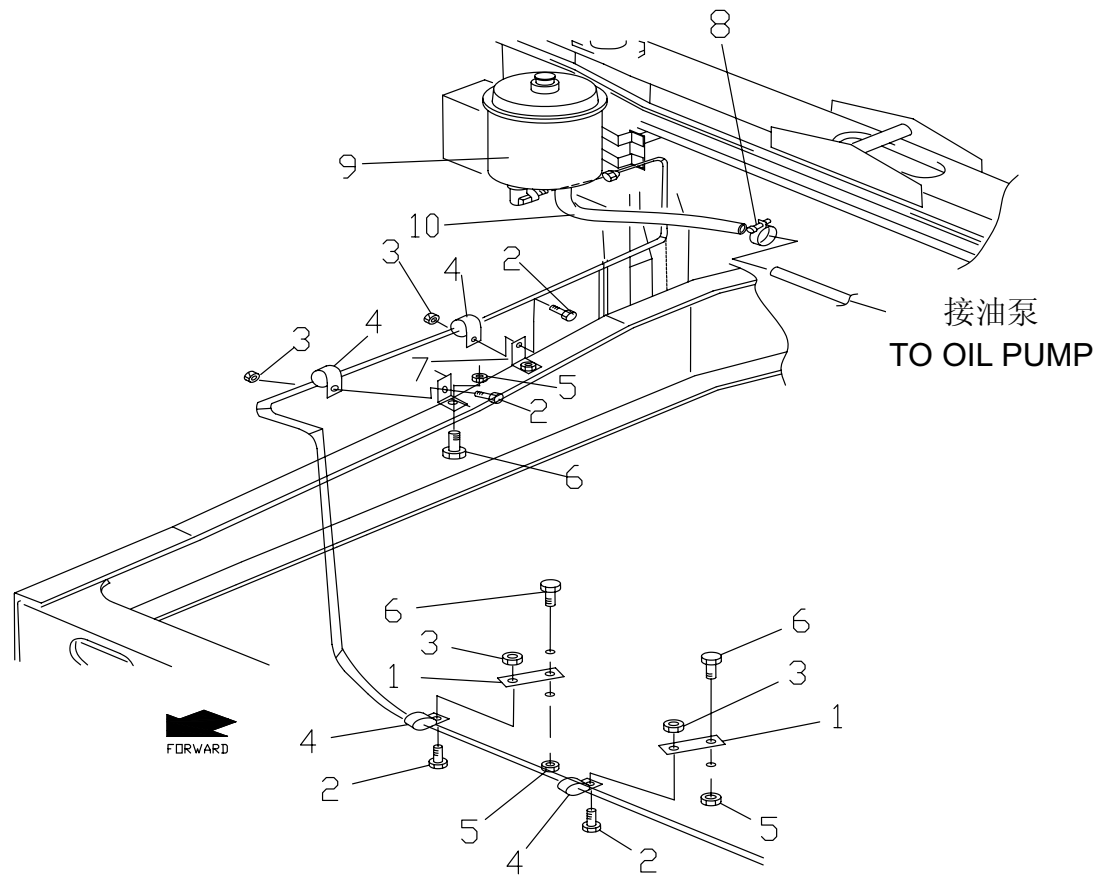
## 转向系统 / STEERING SYSTEM

34-32

| 序号<br>No. | 件号<br>Part No. | 数量<br>Quantity | 名称<br>Name   | 规格<br>Specification | 适用产品<br>Products Applied | 备注<br>Remark |
|-----------|----------------|----------------|--|---------------------|--------------------------|--------------|
| 1         | Q1460825       | 1              | 六角头法兰面螺栓<br>Hexagon Head Bolt With Flange              |                     |                          |              |
| 2         | 37AD-34052     | 1              | 支架<br>Bracket  |                     |                          |              |
| 3         | 34A4D-07016    | 1              | 橡胶软管<br>Rubber Hose                                    |                     |                          |              |
| 4         | Q67545         | 2              | A型蜗杆传动式软管环箍<br>A Type Worm Transmission Hose Snap Ring |                     |                          |              |
| 5         | 37AD-33426     | 1              | 定位夹<br>Locating Clip                                   |                     |                          |              |
| 6         | Q1460620       | 1              | 六角头组合螺栓<br>Hexagon Head Combination Bolt               |                     |                          |              |
| 7         | 34A4D-07017    | 1              | 转向进油管<br>Steering Oil Inlet Pipe                       |                     |                          |              |
| 8         | 37AD-33426     | 1              | 定位夹<br>Locating Clip                                   |                     |                          |              |
| 9         | Q340B06        | 1              | I型六角螺母<br>Hexagon Full Nut                             |                     |                          |              |
| 10        | 34A4D-07019    | 1              | 支架<br>Bracket  |                     |                          |              |
| 11        | Q1460620       | 1              | 六角头组合螺栓<br>Hexagon Head Combination Bolt               |                     |                          |              |
| 12        | 3407A4D-010    | 1              | 动力转向油泵<br>Power Steering Pump                          |                     |                          |              |

## 转向油管图 / STEERING OIL PIPE

34-1



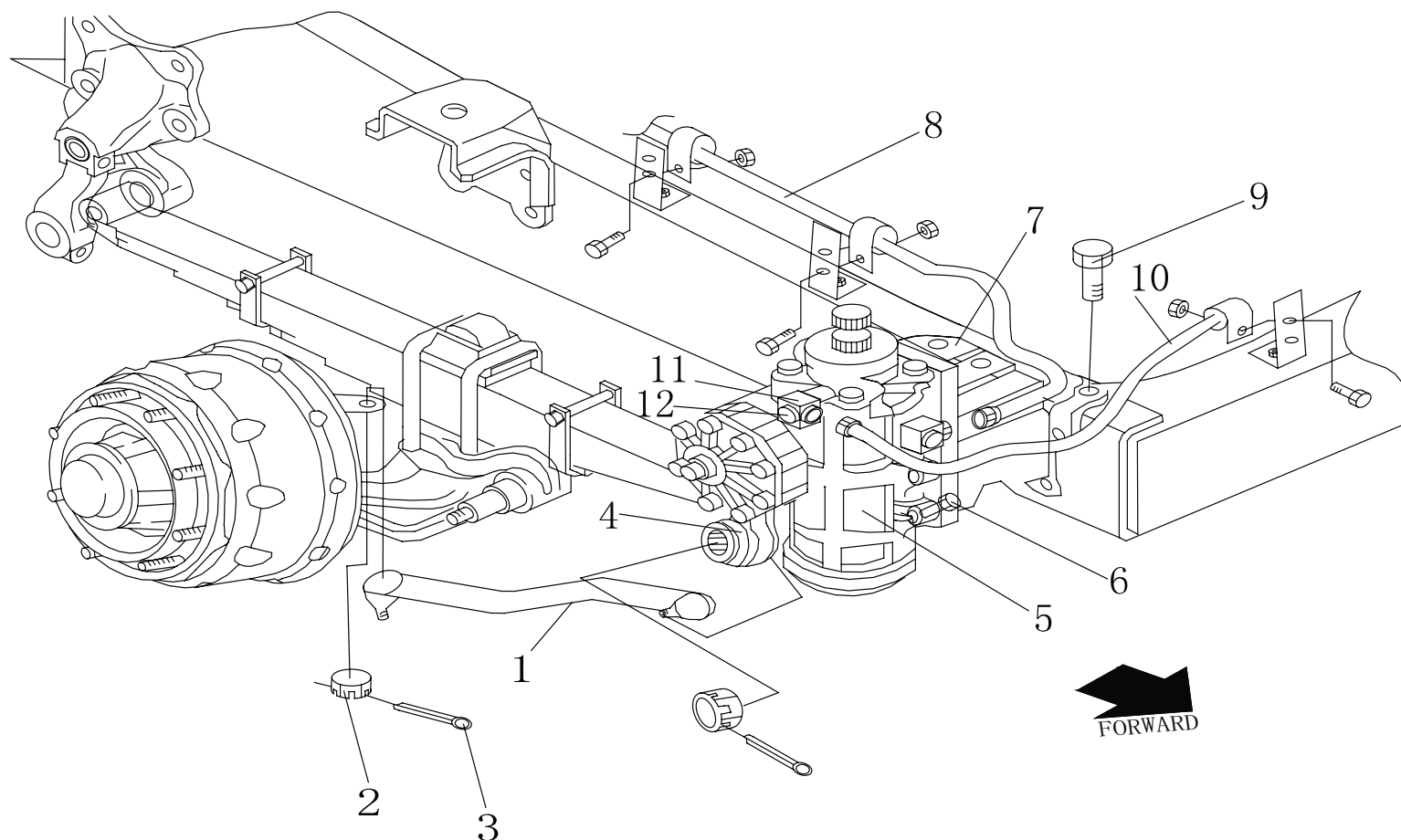
## 转向系统 / STEERING SYSTEM

34-34

| 序号<br>No. | 件号<br>Part No. | 数量<br>Quantity | 名称<br>Name                                      | 规格<br>Specification | 适用产品<br>Products Applied | 备注<br>Remark |
|-----------|----------------|----------------|---|---------------------|--------------------------|--------------|
| 1         | 16AD-07031     | 2              | 支架<br>Bracket                                   |                     |                          |              |
| 2         | Q1460616       | 2              | 六角头螺栓<br>Hexagon Head Bolt                      |                     |                          |              |
| 3         | Q340B06        | 2              | I型六角螺母<br>Hexagon Full Nut                      |                     |                          |              |
| 4         | 37AD-33404     | 3              | 支架<br>Bracket                                   |                     |                          |              |
| 5         | Q340B08        | 4              | I型六角螺母<br>Hexagon Full Nut                      |                     |                          |              |
| 6         | Q1460825       | 4              | 六角头螺栓<br>Hexagon Head Bolt                      |                     |                          |              |
| 7         | 37AD-34004     | 2              | 支架<br>Bracket                                   |                     |                          |              |
| 8         | Q67545         | 2              | A型蜗杆传动式环箍<br>A Type Worm Transmission Snap Ring |                     |                          |              |
| 9         | 3408AD-010     | 1              | 转向储油罐<br>Steering Oil Reservoir                 |                     |                          |              |
| 10        | 34A4D-07016    | 1              | 橡胶软管<br>Rubber Hose                             |                     |                          |              |

右驾转向直拉杆和转向垂臂图  
STEERING DRAG LINK AND STEERING DROP ARM OF RHD

34-J





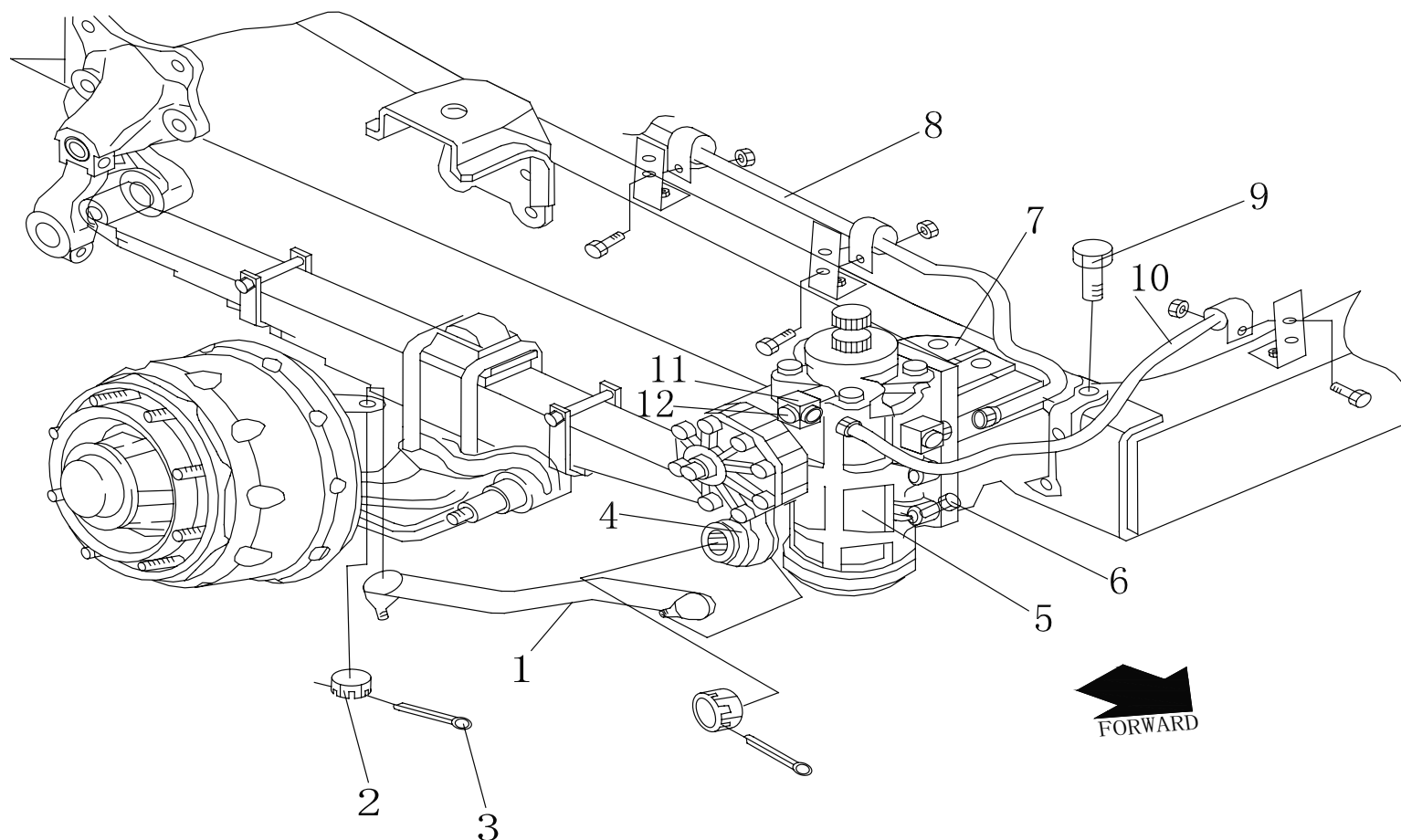
## 转向系统 / STEERING SYSTEM

34-36

| 序号<br>No. | 件号<br>Part No. | 数量<br>Quantity | 名称<br>Name                            | 规格<br>Specification | 适用产品<br>Products Applied | 备注<br>Remark |
|-----------|----------------|----------------|---------------------------------------|---------------------|--------------------------|--------------|
| 1         | 34ADY-01350    | 1              | 转向直拉杆总成<br>Steering Drag Rod Assembly |                     |                          |              |
| 2         | Q387B24        | 2              | 六角开槽薄螺母<br>Hexagon Slotted Thin Nut   |                     |                          |              |
| 3         | Q5000545       | 2              | 开口销<br>Cotter Pin                     |                     |                          |              |
| 4         | 34ADY-01310    | 1              | 转向垂臂<br>Steering Drop Arm             |                     |                          |              |
| 5         | 3401ADY-010    | 1              | 转向器<br>Steering Gear                  |                     |                          |              |
| 6         | Q151B2055TF3   | 4              | 六角头螺栓<br>Hexagon Head Bolt            |                     |                          |              |
| 6         | Q40320         | 4              | 弹簧垫圈<br>Spring Washer                 |                     |                          |              |
| 7         | 3403ADY-010    | 1              | 转向器支架<br>Steering Gear Bracket        |                     |                          |              |
| 8         | 34ADY-06005    | 1              | 转向油管<br>Steering Oil Pipe             |                     |                          |              |
| 9         | Q151B1845TF3   | 6              | 六角头螺栓<br>Hexagon Head Bolt            |                     |                          |              |
| 9         | Q40318         | 6              | 弹簧垫圈<br>Spring Washer                 |                     |                          |              |
| 9         | Q341B18T13F2   | 6              | 六角螺母<br>Hexagon Nut                   |                     |                          |              |
| 10        | 34ADY-06035    | 1              | 转向油管<br>Steering Oil Pipe             |                     |                          |              |
| 11        | 34ADY-01013    | 2              | 铰接接头体<br>Articulated Connector        |                     |                          |              |

右驾转向直拉杆和转向垂臂图  
STEERING DRAG LINK AND STEERING DROP ARM OF RHD

34-J



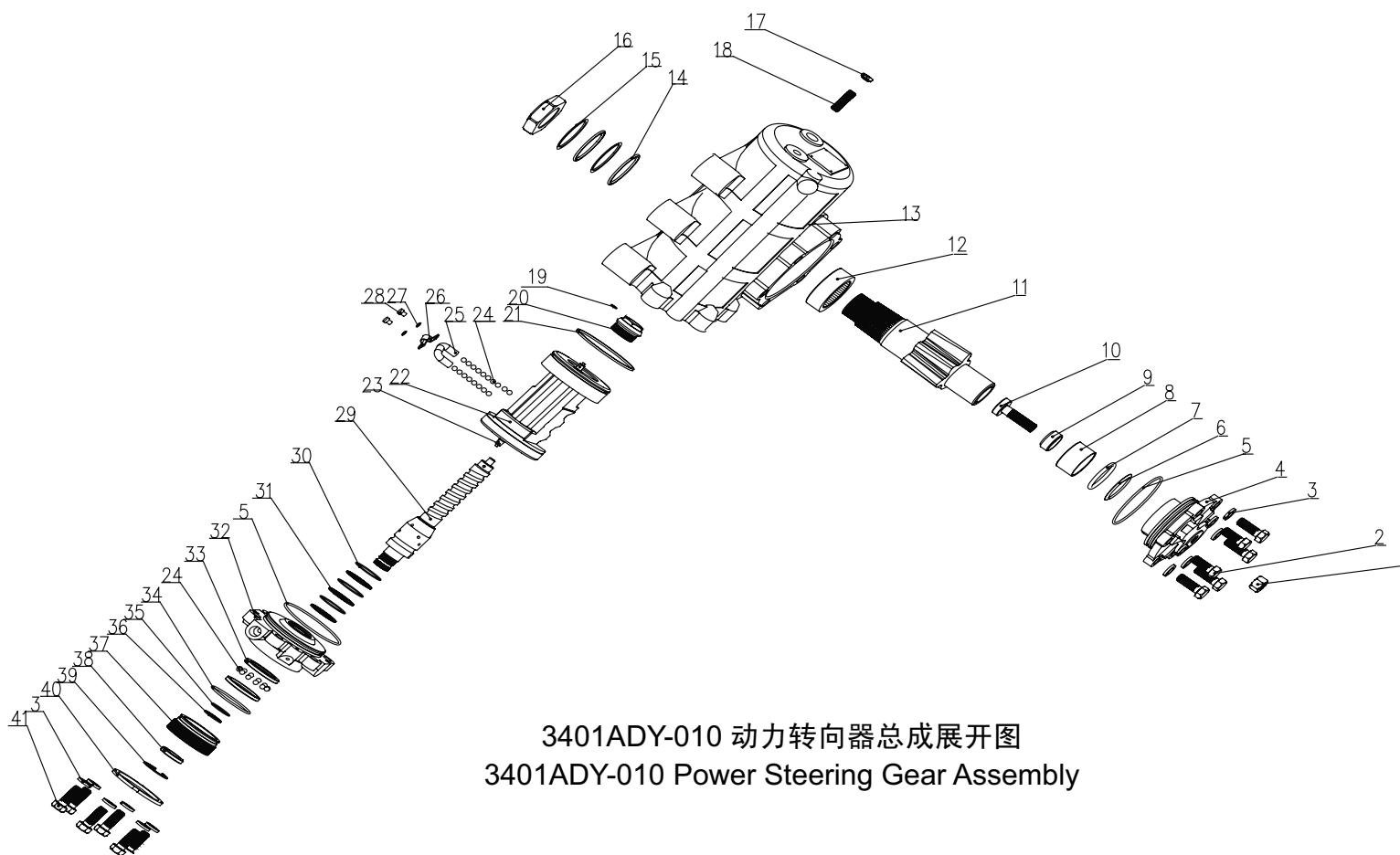
## 转向系统 / STEERING SYSTEM

34-38

| 序号<br>No. | 件号<br>Part No. | 数量<br>Quantity | 名称<br>Name                         | 规格<br>Specification | 适用产品<br>Products Applied | 备注<br>Remark |
|-----------|----------------|----------------|------------------------------------|---------------------|--------------------------|--------------|
| 12        | 34ADY-01012    | 2              | 六角铰接螺栓<br>Hexagon Articulated Bolt |                     |                          |              |
| 12        | Q70318         | 4              | 密封垫片<br>Seal Shim                  |                     |                          |              |

## 右驾转向器展开图 / STEERING GEAR OF RHD

34-K



3401ADY-010 动力转向器总成展开图  
3401ADY-010 Power Steering Gear Assembly

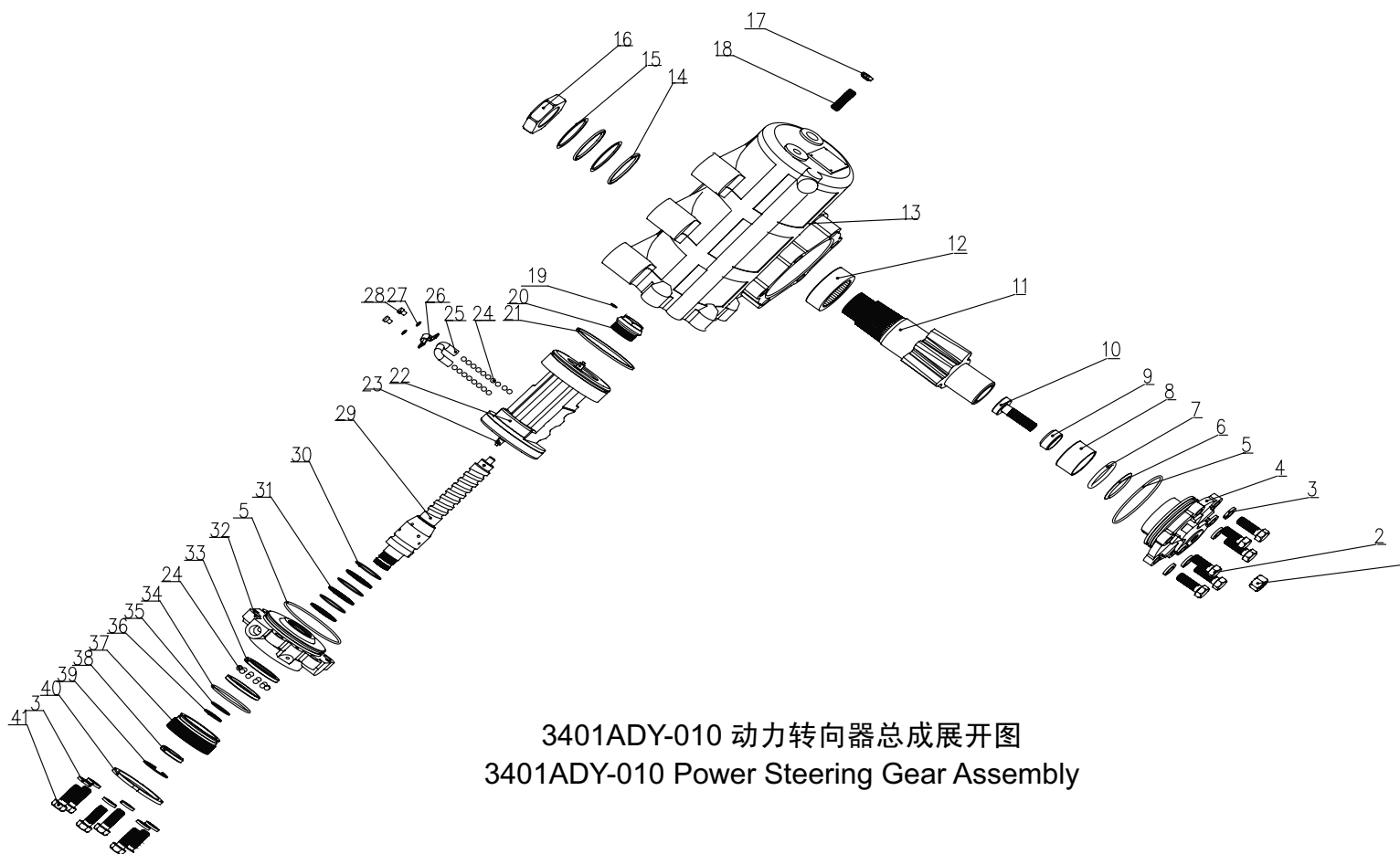
## 转向系统 / STEERING SYSTEM

34-40

| 序号<br>No. | 件号<br>Part No.  | 数量<br>Quantity | 名称<br>Name   | 规格<br>Specification | 适用产品<br>Products Applied | 备注<br>Remark |
|-----------|-----------------|----------------|--|---------------------|--------------------------|--------------|
| 1         | Q341B16         | 1              | 六角螺母<br>Hexagon Nut                                    |                     |                          | M16X1.5      |
| 2         | Q151B1435       | 6              | 六角头螺栓<br>Hexagon Head Bolt                             |                     |                          | M14X1.5X35   |
| 3         | Q40314          | 12             | 弹簧垫圈<br>Spring Washer                                  |                     |                          | φ 14         |
| 4         | GX110C-3411321  | 1              | 侧盖<br>Side Cover                                       |                     |                          | φ 103.8X3.1  |
| 5         | GX110C-3411112  | 2              | O 形圈<br>O-Ring   |                     |                          |              |
| 6         | GX110C-3411301  | 1              | 挡圈<br>Retainer   |                     |                          |              |
| 7         | GX110C-3411302  | 1              | O 形圈<br>O-Ring   |                     |                          | φ 48.6X5.7   |
| 8         | GX110C-3411322  | 1              | 复合轴承<br>Combination Bearing                            |                     |                          |              |
| 9         | GX90C-3411313   | 1              | 臂轴螺塞<br>Arm Shaft Plug                                 |                     |                          |              |
| 10        | GX90C-3411314   | 1              | 调整螺钉<br>Adjusting Screw                                |                     |                          |              |
| 11        | ZJ120-3411301   | 1              | 摇臂轴<br>Rocker Arm Shaft                                |                     |                          |              |
| 12        | NK 60/28        | 1              | 无内圈滚针轴承<br>Needle Roller Bearing Without Inner Ring    |                     |                          |              |
| 13        | ZJ120C-3411301Y | 1              | 壳体<br>Casing   |                     |                          |              |
| 14        | ZJ120-3411402   | 2              | 摇臂轴输出端密封环 2<br>Rocker Arm Shaft Output-End Seal Ring 2 |                     |                          |              |

## 右驾转向器展开图 / STEERING GEAR OF RHD

34-K



3401ADY-010 动力转向器总成展开图  
3401ADY-010 Power Steering Gear Assembly

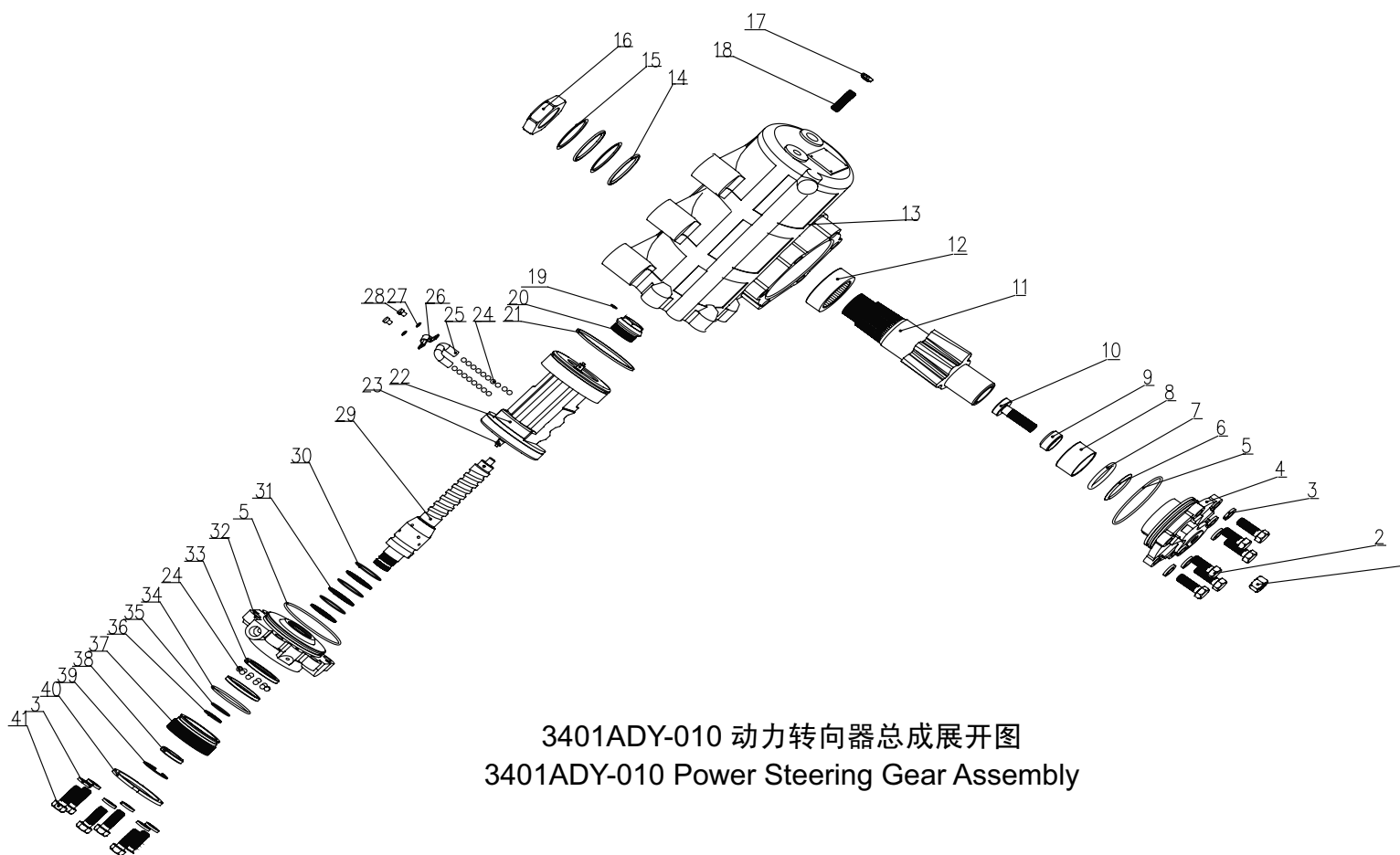
## 转向系统 / STEERING SYSTEM

34-42

| 序号<br>No. | 件号<br>Part No.     | 数量<br>Quantity | 名称<br>Name   | 规格<br>Specification | 适用产品<br>Products Applied | 备注<br>Remark |
|-----------|--------------------|----------------|--|---------------------|--------------------------|--------------|
| 15        | ZJ120-3411401      | 2              | 摇臂轴输出端密封环 1<br>Rocker Arm Shaft Output-End Seal Ring 1 |                     |                          |              |
| 16        | ZJ120-3411004      | 1              | 六角锁紧螺母<br>Hexagon Lock Nut                             |                     |                          |              |
| 17        | 3401F-034          | 1              | 密封螺母<br>Seal Nut                                       |                     |                          |              |
| 18        | ZJ120C-3411308     | 1              | 行程限位螺钉<br>Stroke Limiting Screw                        |                     |                          |              |
| 19        | GB3452.1-92        | 1              | O形圈<br>O-Ring  |                     |                          | φ9.5X1.8     |
| 20        | GX100D-3411112     | 1              | 堵塞<br>Blockage   |                     |                          |              |
| 21        | GX110C-3411102     | 1              | 齿条活塞密封圈<br>Gear Rack Piston Seal Washer                |                     |                          |              |
| 22        | ZJ20C-3411181Y     | 1              | 齿条活塞<br>Gear Rack Piston                               |                     |                          |              |
| 23        | GX100C-3411135JN   | 1              | 限位阀<br>Limiting Valve                                  |                     |                          |              |
| 24        | GB308-84           | 44             | 钢球<br>Steel Ball                                       |                     |                          | φ8           |
| 25        | GX100B-3411052-77Y | 2              | 钢球导管<br>Steel Ball Guide                               |                     |                          |              |
| 26        | GX100B-3411053-20  | 1              | 导管夹<br>Guide Clip                                      |                     |                          |              |
| 27        | Q40306             | 2              | 弹簧垫圈<br>Spring Washer                                  |                     |                          | φ6           |
| 28        | Q2180608           | 2              | 内六角螺栓<br>Inner Hexagon Bolt                            |                     |                          | M6X8         |

## 右驾转向器展开图 / STEERING GEAR OF RHD

34-K





## 转向系统 / STEERING SYSTEM

34-44

| 序号<br>No. | 件号<br>Part No.    | 数量<br>Quantity | 名称<br>Name                               | 规格<br>Specification | 适用产品<br>Products Applied | 备注<br>Remark      |
|-----------|-------------------|----------------|--|---------------------|--------------------------|-------------------|
| 29        | ZJ120C-3411120Y   | 1              | 阀体总成<br>Valve Body Assembly              |                     |                          |                   |
| 30        | ZJ120C-3411153    | 3              | O 形圈<br>O-Ring                           |                     |                          | φ47.2X1.8         |
| 31        | ZJ120C-3411152    | 3              | 密封环<br>Seal Ring                         |                     |                          |                   |
| 32        | ZJ120C-3411151Y   | 1              | 前盖<br>Front Cover                        |                     |                          |                   |
| 33        | ZJ120C-3411111    | 2              | 轴承外圈<br>Bearing Outer Race               |                     |                          | 组合件<br>Components |
| 34        | Q7343175C         | 1              | O 形圈<br>O-Ring                           |                     |                          |                   |
| 35        | GB3452.1-92       | 1              | O 形圈<br>O-Ring                           |                     |                          | φ30×1.8           |
| 36        | GX110C-3411115    | 1              | 密封环<br>Seal Ring                         |                     |                          |                   |
| 37        | ZJ120C-3411171    | 1              | 螺塞<br>Plug                               |                     |                          |                   |
| 38        | GX90A-3401111     | 1              | 双唇口骨架油封<br>Double Lip Frame Seal         |                     |                          |                   |
| 39        | Q43040            | 1              | 孔用弹性挡圈<br>Elastic Retainer Ring For Hole |                     |                          |                   |
| 40        | GX100B-3411166-77 | 1              | 防松螺母 - 上盖<br>Check Nut-Upper Cover       |                     |                          |                   |
| 41        | Q151B1440         | 6              | 六角头螺栓<br>Hexagon Head Bolt               |                     |                          | M14×1.5×40        |



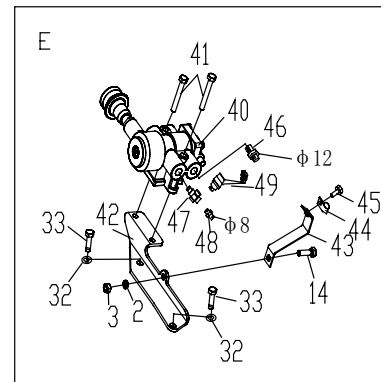
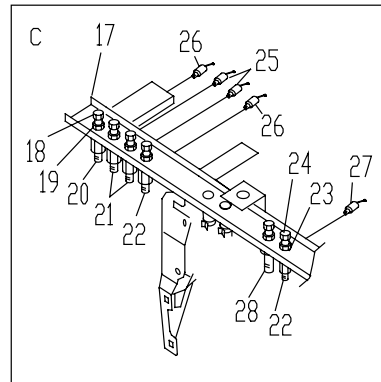
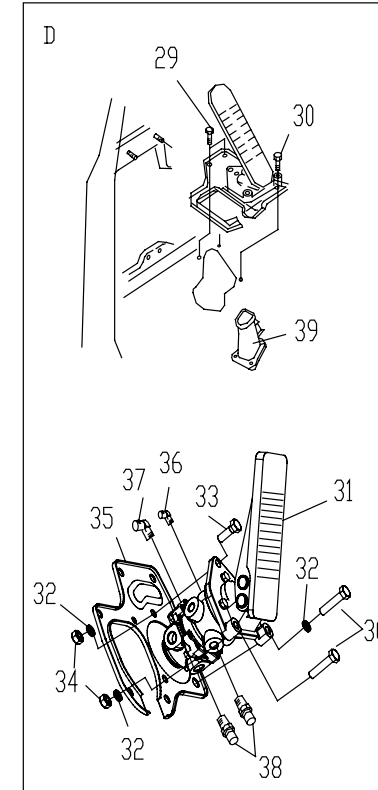
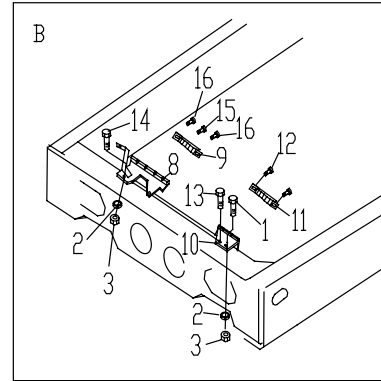
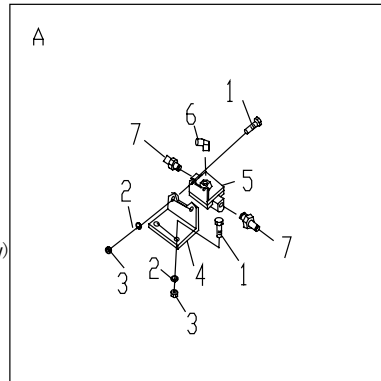
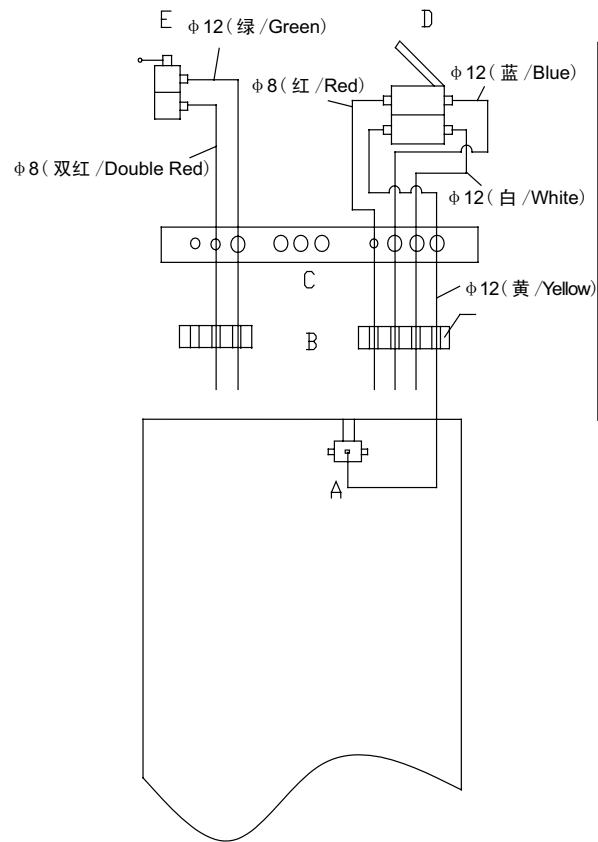
35

**制动系统**

***BRAKE SYSTEM***

驾驶室部分制动系统装置图 / BRAKE SYSTEM IN CAB

35-A



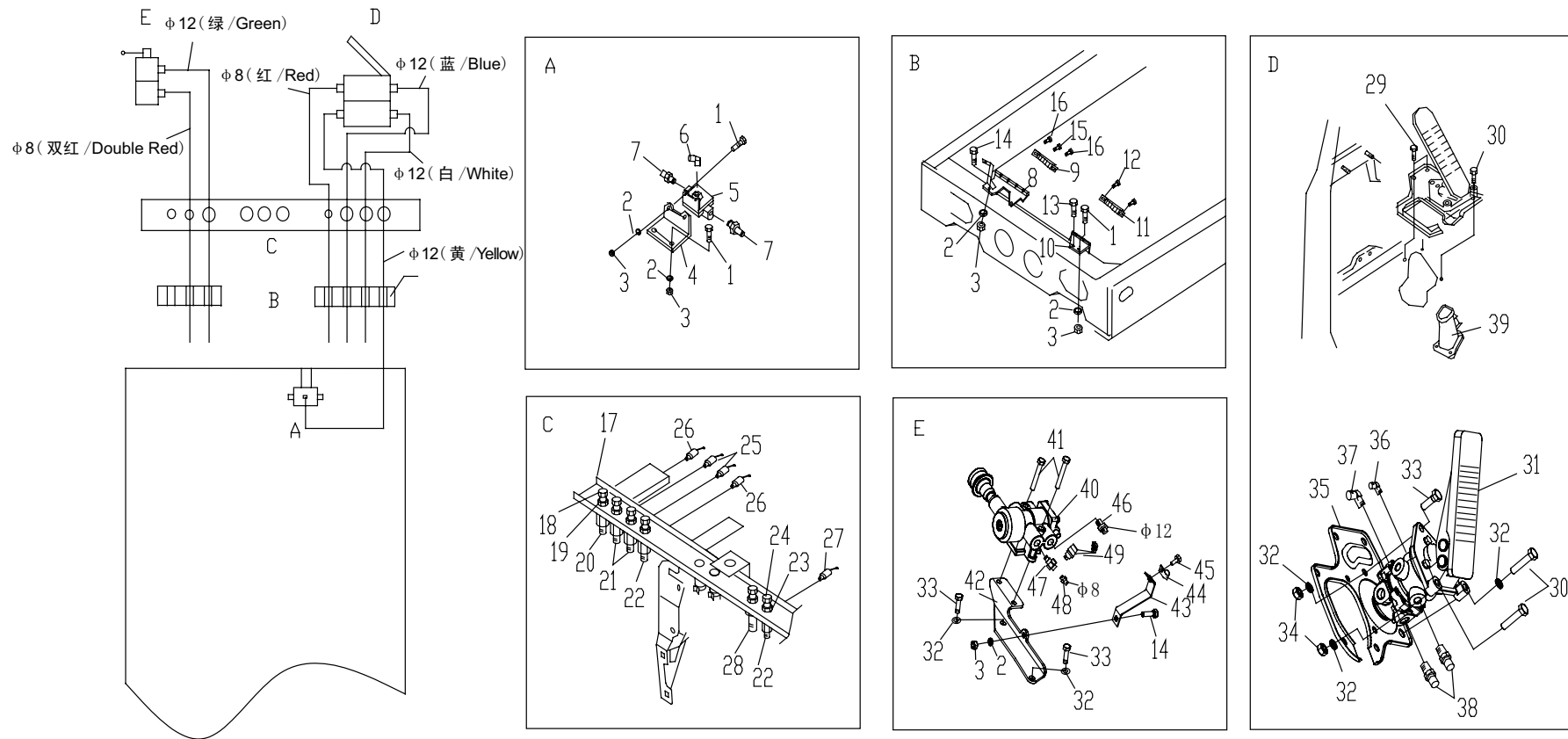
制动系统 / BRAKE SYSTEM

35-2

| 序号<br>No. | 件号<br>Part No. | 数量<br>Quantity | 名称<br>Name   | 规格<br>Specification | 适用产品<br>Products Applied | 备注<br>Remark |
|-----------|----------------|----------------|--|---------------------|--------------------------|--------------|
| 1         | Q150B0825      | 5              | 六角头螺栓<br>Hexagon Head Bolt                                     |                     |                          |              |
| 2         | Q40308         | 9              | 弹簧垫圈<br>Spring Washer  |                     |                          |              |
| 3         | Q340B08        | 9              | I型六角螺母<br>Hexagon Full Nut                                     |                     |                          |              |
| 4         | 3516AD-010     | 1              | 快放阀安装支架<br>Quick Release Valve Installation Bracket            |                     |                          |              |
| 5         | 35AD-16011     | 1              | 快放阀总成<br>Quick Release Valve Assembly                          |                     |                          |              |
| 6         | Q80812         | 1              | 卡套式锥螺纹直角接头体<br>Ferrule-Type Taper Thread Right Angle Connector |                     |                          |              |
| 7         | Q80512         | 2              | 卡套式锥螺纹直角接头体<br>Ferrule-Type Taper Thread Right Angle Connector |                     |                          |              |
| 8         | 35AD-06016     | 1              | 固定下支架<br>Fixed Lower Bracket                                   |                     |                          |              |
| 9         | 35AD-06015     | 1              | 固定下支架<br>Fixed Lower Bracket                                   |                     |                          |              |
| 10        | 35AD-06029     | 1              | 固定下支架<br>Fixed Lower Bracket                                   |                     |                          |              |
| 11        | 35AD-06028     | 1              | 固定下支架<br>Fixed Lower Bracket                                   |                     |                          |              |
| 12        | Q1840816       | 2              | 六角头螺栓<br>Hexagon Head Bolt                                     |                     |                          |              |
| 13        | Q150B0820      | 1              | 六角头螺栓<br>Hexagon Head Bolt                                     |                     |                          |              |

## 驾驶室部分制动系统装置图 / BRAKE SYSTEM IN CAB

## 35-A



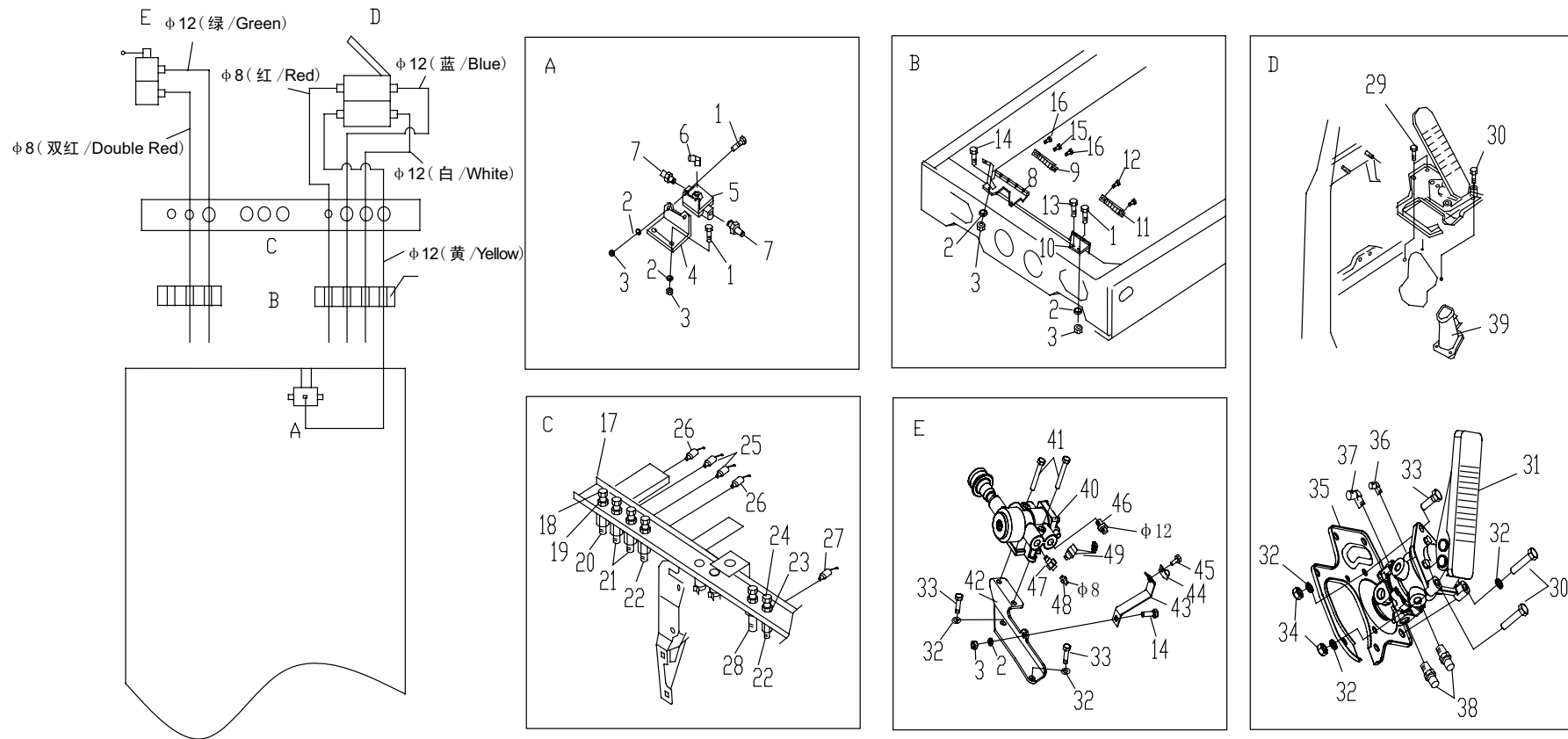
# 制动系统 / BRAKE SYSTEM

35-4

| 序号<br>No. | 件号<br>Part No. | 数量<br>Quantity | 名称<br>Name   | 规格<br>Specification | 适用产品<br>Products Applied | 备注<br>Remark |
|-----------|----------------|----------------|--|---------------------|--------------------------|--------------|
| 14        | Q150B0820      | 2              | 六角头螺栓<br>Hexagon Head Bolt                                       |                     |                          |              |
| 15        | Q1840830       | 1              | 六角头螺栓<br>Hexagon Head Bolt                                       |                     |                          |              |
| 16        | Q1840816       | 2              | 六角头螺栓<br>Hexagon Head Bolt                                       |                     |                          |              |
| 17        | 35AD-06020     | 1              | 前安装支架总成<br>Front Installation Bracket Assembly                   |                     |                          |              |
| 18        | Q80218         | 4              | 卡套式管接头用六角薄螺母<br>Thin Hexagon Nut For Ferrule-Type Tube Connector |                     |                          |              |
| 19        | Q41018         | 4              | 内锯齿锁紧垫圈<br>Inner Saw Lock Washer                                 |                     |                          |              |
| 20        | 35AD-06204     | 1              | 卡套式三通接头体<br>Ferrule-Type 3-Way Connector                         |                     |                          |              |
| 21        | 35AD-06201     | 2              | 卡套式三通接头体<br>Ferrule-Type 3-Way Connector                         |                     |                          |              |
| 22        | 35AD-06203     | 2              | 卡套式三通接头体<br>Ferrule-Type 3-Way Connector                         |                     |                          |              |
| 23        | Q41014         | 2              | 内锯齿锁紧垫圈<br>Inner Saw Lock Washer                                 |                     |                          |              |
| 24        | Q80214         | 2              | 卡套式管接头用六角薄螺母<br>Thin Hexagon Nut For Ferrule-Type Tube Connector |                     |                          |              |
| 25        | 35AD-060202    | 2              | 低气压报警开关<br>Low Air Pressure Warning Switch                       |                     |                          |              |
| 26        | 3720AD-010     | 2              | 行车制动开关<br>Running Brake Switch                                   |                     |                          |              |
| 27        | 3720AD-020     | 1              | 驻车制动开关<br>Parking Brake Switch                                   |                     |                          |              |

## 驾驶室部分制动系统装置图 / BRAKE SYSTEM IN CAB

## 35-A





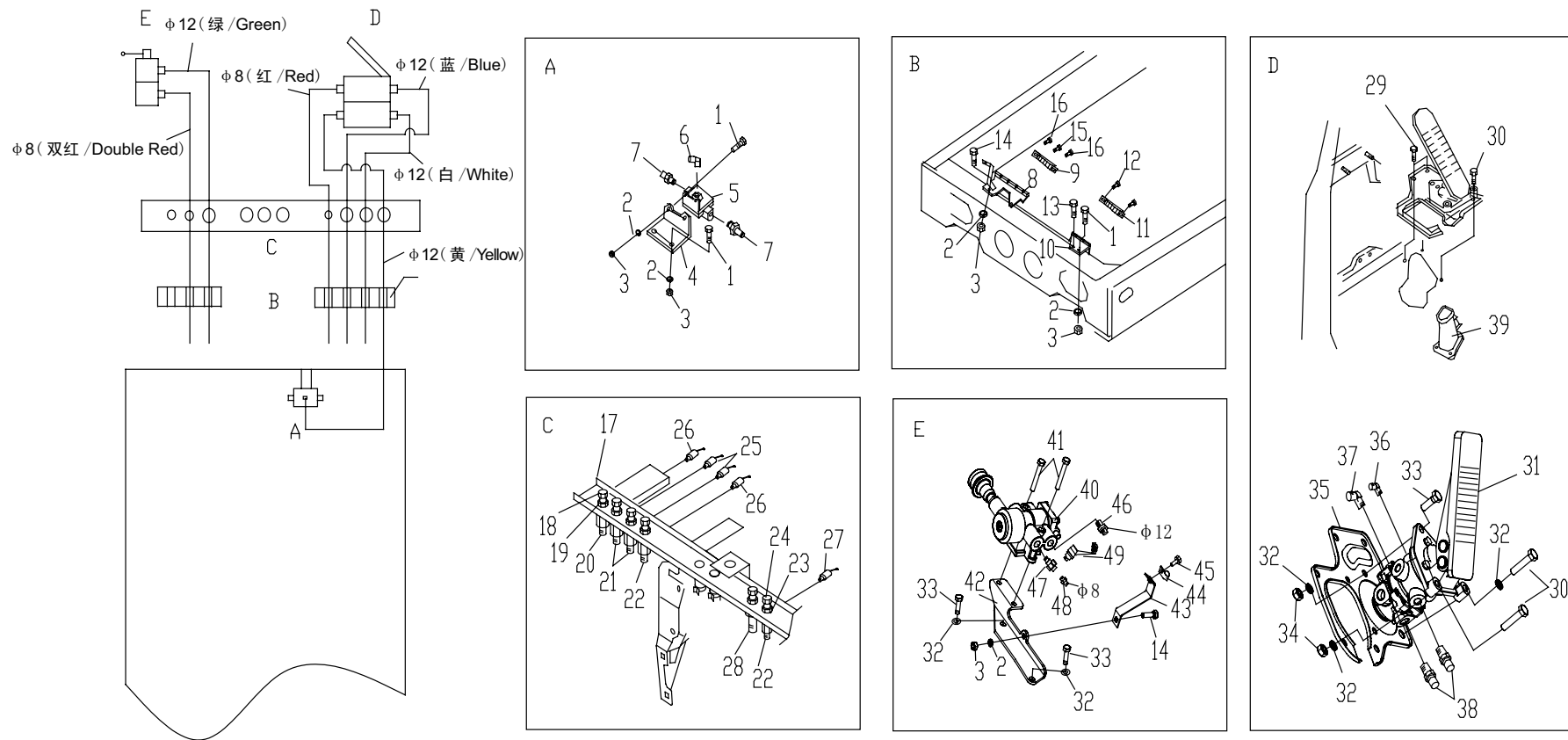
# 制动系统 / BRAKE SYSTEM

35-6

| 序号<br>No. | 件号<br>Part No. | 数量<br>Quantity | 名称<br>Name   | 规格<br>Specification | 适用产品<br>Products Applied | 备注<br>Remark |
|-----------|----------------|----------------|--|---------------------|--------------------------|--------------|
| 28        | Q81312         |                | 卡套式直通接头体<br>Ferrule-Type Straight Connector                                |                     |                          |              |
| 29        | Q1460820       | 2              | 六角头螺栓、弹簧垫圈、平垫圈组合件<br>Hexagon Head Bolt, Spring Washer,<br>Plate Washer Set |                     |                          |              |
| 30        | Q150B1040      | 2              | 六角头螺栓<br>Hexagon Head Bolt   |                     |                          |              |
| 31        | 3514AD-010     | 1              | 脚制动阀总成<br>Foot Brake Valve Assembly  |                     |                          |              |
| 32        | Q40310         | 5              | 弹簧垫圈<br>Spring Washer  |                     |                          |              |
| 33        | Q150B1025      | 3              | 六角头螺栓<br>Hexagon Head Bolt   |                     |                          |              |
| 34        | Q340B10        | 2              | I型六角螺母<br>Hexagon Full Nut   |                     |                          |              |
| 35        | 35AD-14015     | 1              | 固定支架<br>Holding Bracket  |                     |                          |              |
| 36        | 35AD-13004     | 1              | 卡套式锥螺纹直角接头体<br>Ferrule-Type Taper Thread Right Angle Connector             |                     |                          |              |
| 37        | 35AD-14012     | 1              | 卡套式锥螺纹直角接头体<br>Ferrule-Type Taper Thread Right Angle Connector             |                     |                          |              |
| 38        | 35AD-13009     | 2              | 卡套式锥螺纹直角接头体<br>Ferrule-Type Taper Thread Right Angle Connector             |                     |                          |              |
| 39        | 53A-01357      | 1              | 转向柱固定座 - 地板<br>Steering Column Holder-Floor                                |                     |                          |              |
| 40        | 3517AD-010     | 1              | 手制动阀总成<br>Hand Brake Valve Assembly  |                     |                          |              |

## 驾驶室部分制动系统装置图 / BRAKE SYSTEM IN CAB

## 35-A



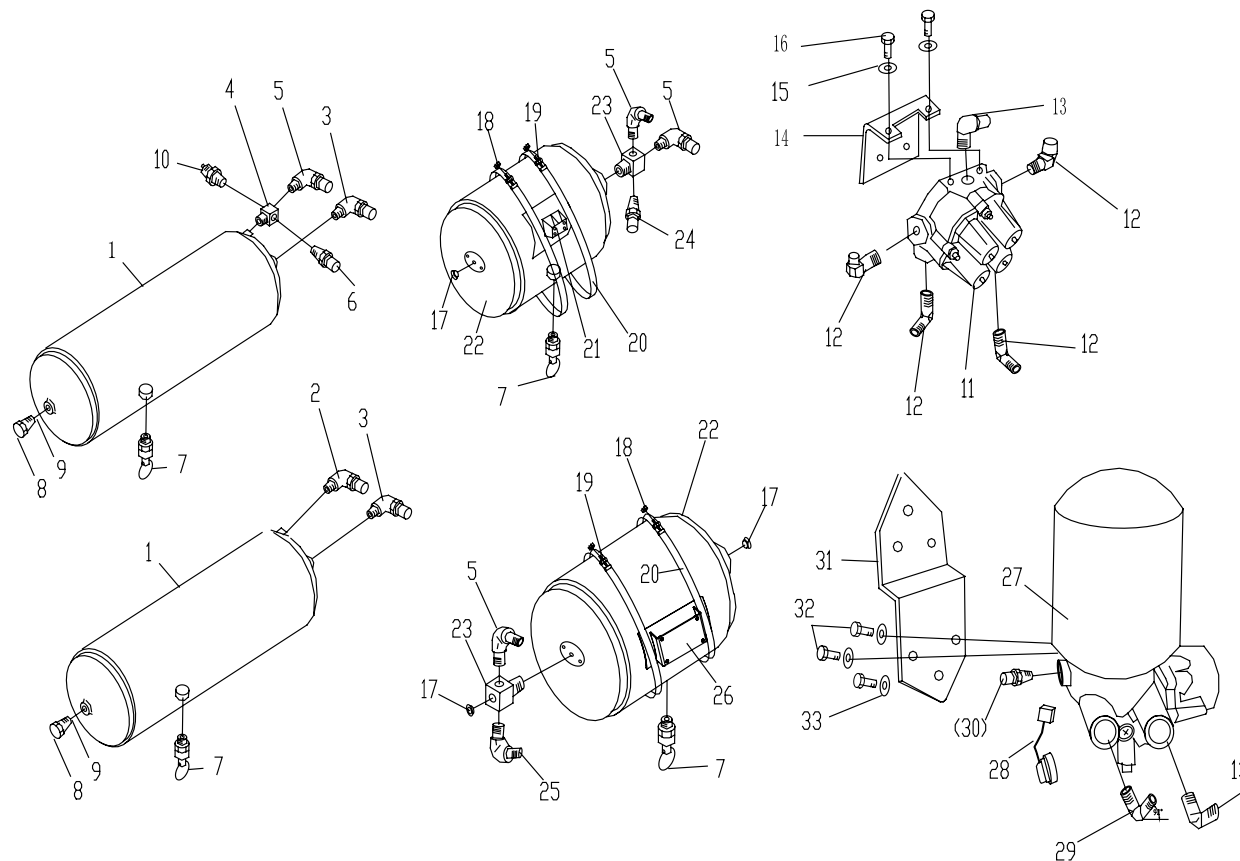
# 制动系统 / BRAKE SYSTEM

35-8

| 序号<br>No. | 件号<br>Part No. | 数量<br>Quantity | 名称<br>Name  | 规格<br>Specification | 适用产品<br>Products Applied | 备注<br>Remark |
|-----------|----------------|----------------|---|---------------------|--------------------------|--------------|
| 41        | Q150B0880      | 2              | 六角头螺栓<br>Hexagon Head Bolt                                  |                     |                          |              |
| 42        | 35AD-17012     | 1              | 手阀安装支架<br>Hand Valve Installation Bracket                   |                     |                          |              |
| 43        | 35AD-17013     | 1              | 固定支架<br>Holding Bracket                                     |                     |                          |              |
| 44        | 37AD-33222     | 1              | 固定管夹<br>Holding Tube Clamp                                  |                     |                          |              |
| 45        | Q150B0616      | 1              | 六角头螺栓<br>Hexagon Head Bolt                                  |                     |                          |              |
| 46        | 35AD-17014     | 1              | 卡套式锥螺纹直通接头体<br>Ferrule-Type Taper Thread Straight Connector |                     |                          |              |
| 47        | 35AD-17013     | 1              | 卡套式锥螺纹三通接头体<br>Ferrule-Type Taper Thread 3-Way Connector    |                     |                          |              |
| 48        | 35AD-17016     | 1              | 卡套式锥螺纹直通接头体<br>Ferrule-Type Taper Thread Straight Connector |                     |                          |              |
| 49        | 3720AD-050     | 1              | 驻车制动检测开关<br>Parking Brake Check Switch                      |                     |                          |              |

## 储气筒预装图 / AIR RESERVOIR

## 35-B



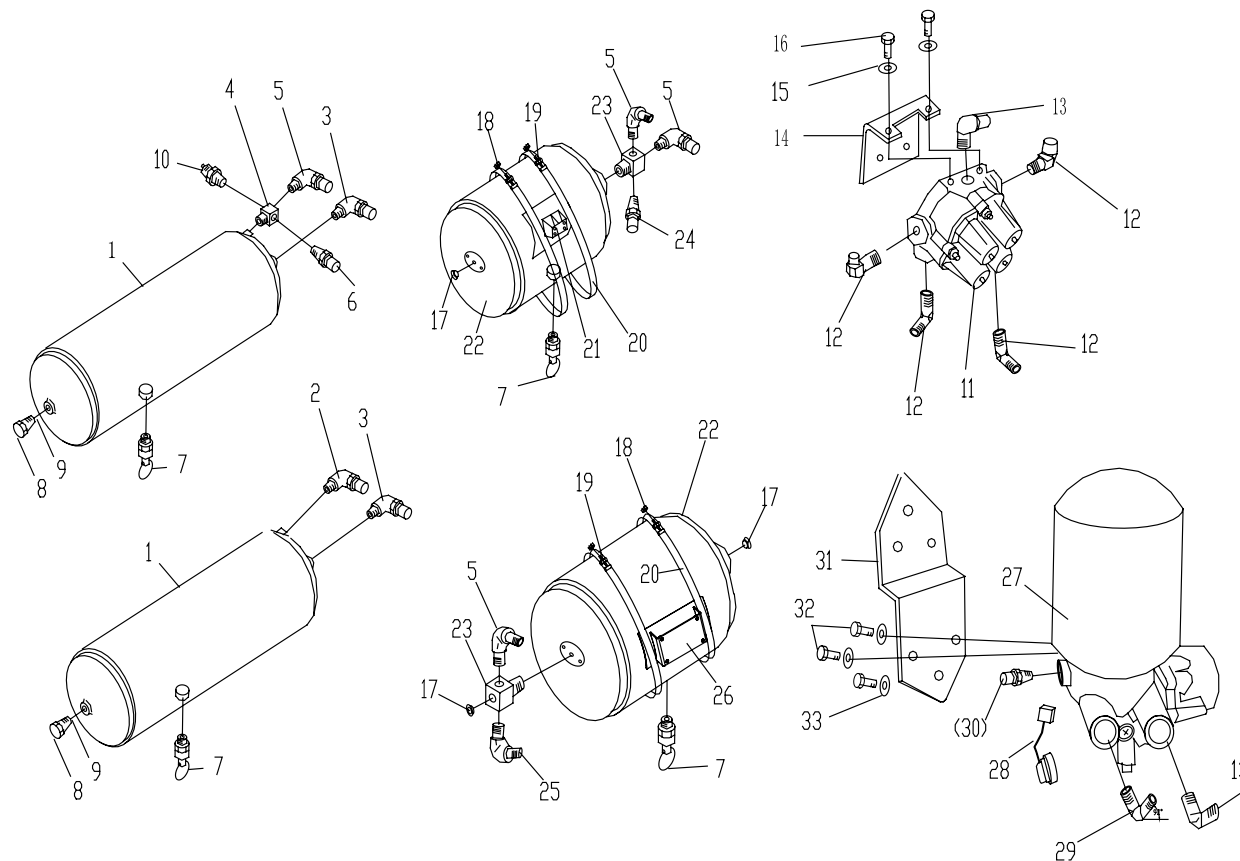
制动系统 / BRAKE SYSTEM

35-10

| 序号<br>No. | 件号<br>Part No. | 数量<br>Quantity | 名称<br>Name   | 规格<br>Specification | 适用产品<br>Products Applied | 备注<br>Remark |
|-----------|----------------|----------------|--|---------------------|--------------------------|--------------|
| 1         | 3513AHD-010    | 2              | 储气筒总成<br>Air Reservoir Assembly                                |                     |                          |              |
| 2         | 35ADQ-27108    | 1              | 卡套式直角接头体<br>Ferrule-Type Right Angle Connector                 |                     |                          |              |
| 3         | 35AD-11002     | 3              | 卡套式直角接头体<br>Ferrule-Type Right Angle Connector                 |                     |                          |              |
| 4         | 35AD-27107     | 1              | 四通接头<br>4-Way Connector  |                     |                          |              |
| 5         | 35AD-13004     | 4              | 卡套式锥螺纹直角接头体<br>Ferrule-Type Taper Thread Right Angle Connector |                     |                          |              |
| 6         | 35AD-13009     | 1              | 卡套式锥螺纹直角接头体<br>Ferrule-Type Taper Thread Right Angle Connector |                     |                          |              |
| 7         | 3513AD-040     | 4              | 放水阀<br>Water Drain Valve                                       |                     |                          |              |
| 8         | Q617B2         | 2              | 螺塞<br>Plug   |                     |                          |              |
| 9         | Q72322         | 2              | 密封垫圈<br>Seal Washer  |                     |                          |              |
| 10        | 35AD-06510     | 1              | 取气阀<br>Air Suction Valve                                       |                     |                          |              |
| 11        | 3515A6DP5-010  | 1              | 四回路保护阀总成<br>4-Circuit Protection Valve Assembly                |                     |                          |              |
| 12        | 35AD-15001     | 4              | 卡套式直角接头体<br>Ferrule-Type Right Angle Connector                 |                     |                          |              |
| 13        | 35AD-11002     | 2              | 卡套式直角接头体<br>Ferrule-Type Right Angle Connector                 |                     |                          |              |
| 14        | 35AHD-15101    | 1              | 四回路固定支架<br>4-Circuit Holding Bracket                           |                     |                          |              |

## 储气筒预装图 / AIR RESERVOIR

## 35-B



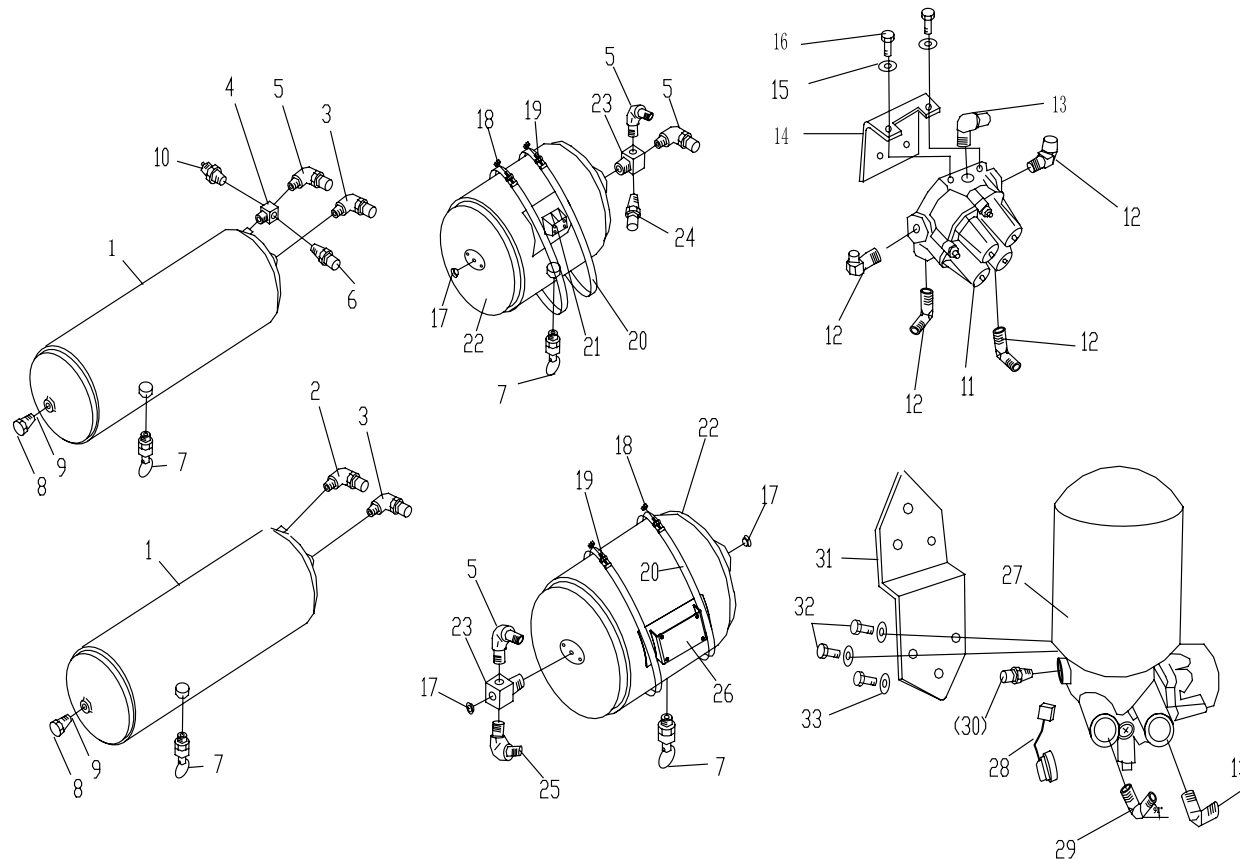
制动系统 / BRAKE SYSTEM

35-12

| 序号<br>No. | 件号<br>Part No. | 数量<br>Quantity | 名称<br>Name   | 规格<br>Specification | 适用产品<br>Products Applied                                       | 备注<br>Remark |
|-----------|----------------|----------------|--|---------------------|--|--------------|
| 15        | Q40308         | 2              | 弹簧垫圈<br>Spring Washer  |                     |  |              |
| 16        | Q150B830       | 2              | 六角头螺栓<br>Hexagon Head Bolt                                     |                     |  |              |
| 17        | 35AD-13005     | 3              | 内六角形螺塞<br>Inner Hexagon Plug                                   |                     |  |              |
| 18        | Q340B10        | 4              | I型六角螺母<br>Hexagon Full Nut                                     |                     |  |              |
| 19        | 35A6DP5-13036  | 4              | 衬套<br>Bushing  |                     |  |              |
| 20        | 35A6DP5-13035  | 4              | 辅储箍带<br>Assist Air Reservoir Retaining Band                    |                     |  |              |
| 21        | 35A6DP5-13020  | 1              | 储气筒固定支架总成<br>Air Reservoir Holding Bracket Assembly            |                     | 三菱、五十铃、康明斯、日野底盘<br>MITSUBISHI, ISUZU, CUMMINS, HINO<br>Chassis |              |
| 22        | 3513ADQ-050    | 2              | 手储气筒总成<br>Hand Air Reservoir Assembly                          |                     |  |              |
| 23        | 35AD-13002     | 2              | 四通接头体<br>4-Way Connector                                       |                     |  |              |
| 24        | 35AD-13001     | 1              | 卡套式锥螺纹直通接头体<br>Ferrule-Type Taper Thread Straight Connector    |                     |  |              |
| 25        | 35AD-13008     | 1              | 卡套式锥螺纹直角接头体<br>Ferrule-Type Taper Thread Right Angle Connector |                     |  |              |
| 26        | 35A16D-13020   | 1              | 储气筒固定支架总成<br>Air Reservoir Holding Bracket Assembly            |                     | 斯太尔系列底盘<br>STEYR Series Chassis                                |              |
| 27        | 3511A6DP5-010  | 1              | 空气干燥器<br>Air Drier   |                     |  |              |

## 储气筒预装图 / AIR RESERVOIR

## 35-B





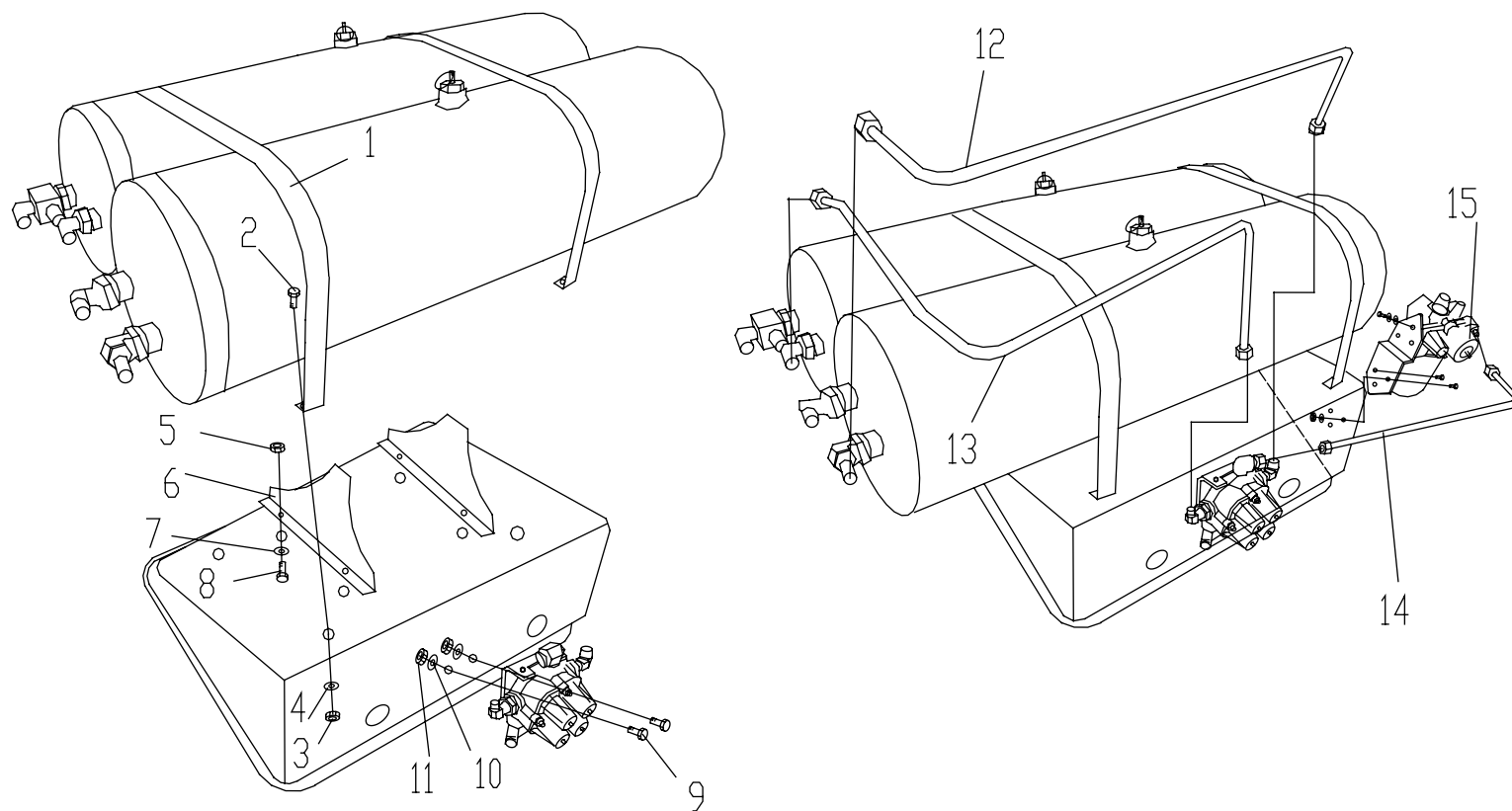
## 制动系统 / BRAKE SYSTEM

35-14

| 序号<br>No. | 件号<br>Part No. | 数量<br>Quantity | 名称<br>Name                                     | 规格<br>Specification | 适用产品<br>Products Applied  | 备注<br>Remark |
|-----------|----------------|----------------|--|---------------------|---|--------------|
| 28        | 37A4D-24202    | 1              | 开关护帽<br>Switch Cover                           |                     |   |              |
| 29        | 35AD-11001     | 1              | 卡套式直角接头体<br>Ferrule-Type Right Angle Connector |                     |   |              |
| 30        | 35AD-11003     | 1              | 卡套式直通接头体<br>Ferrule-Type Straight Connector    |                     | 进口发动机和重庆康明斯系列<br>Import Engine And CHONGQING CUMMINS<br>Engine Series |              |

## 储气筒安装总成图 / AIR RESERVOIR INSTALLATION

35-C



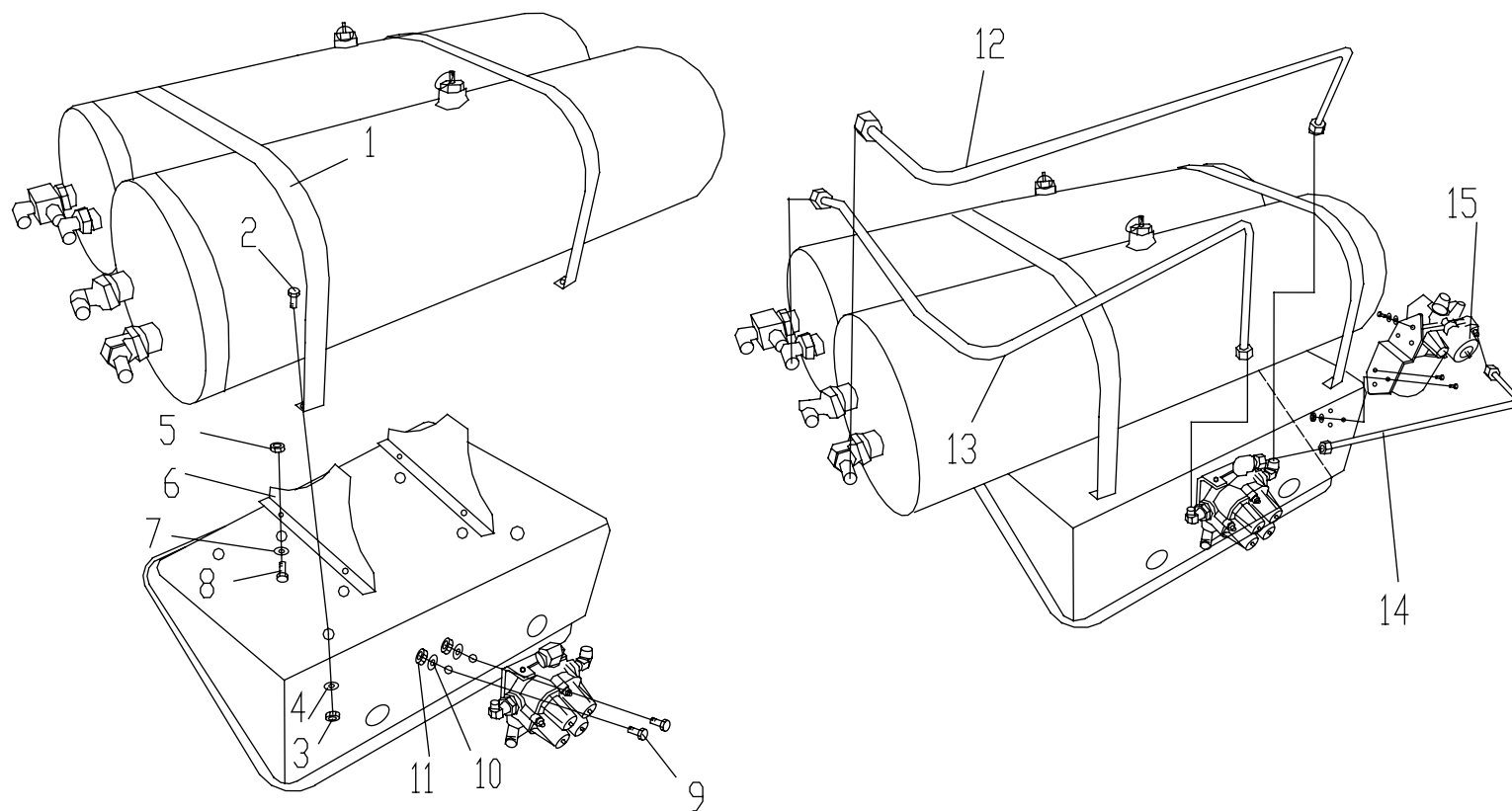
制动系统 / BRAKE SYSTEM

35-16

| 序号<br>No. | 件号<br>Part No. | 数量<br>Quantity | 名称<br>Name   | 规格<br>Specification | 适用产品<br>Products Applied                          | 备注<br>Remark |
|-----------|----------------|----------------|--|---------------------|---|--------------|
| 1         | 35AHD-13031    | 2              | 储气筒箍带<br>Air Reservoir Retaining Band                    |                     |   |              |
| 2         | Q150B1230      | 2              | 六角头螺栓<br>Hexagon Head Bolt                               |                     |   |              |
| 3         | Q340B12        | 2              | I型六角螺母<br>Hexagon Full Nut                               |                     |   |              |
| 4         | Q40312         | 2              | 弹簧垫圈<br>Spring Washer                                    |                     |   |              |
| 5         | Q150B0630      | 4              | 六角头螺栓<br>Hexagon Head Bolt                               |                     |   |              |
| 6         | 35AHD-13052    | 2              | 储气筒隔板<br>Air Reservoir Liner Plate                       |                     |   |              |
| 7         | Q40306         | 4              | 弹簧垫圈<br>Spring Washer                                    |                     |   |              |
| 8         | Q340B06        | 4              | I型六角螺母<br>Hexagon Full Nut                               |                     |   |              |
| 9         | Q150B1230      | 2              | 六角头螺栓<br>Hexagon Head Bolt                               |                     |   |              |
| 10        | Q40312         | 2              | 弹簧垫圈<br>Spring Washer                                    |                     |   |              |
| 11        | Q340B12        | 2              | I型六角螺母<br>Hexagon Full Nut                               |                     |   |              |
| 12        | 35AHD-06013    | 1              | 钢管 - 四回路接前储<br>Steel Tube--4-Loop To Front Air Reservoir |                     | 三菱、五十铃、康明斯底盘<br>MITSUBISHI,ISUZU, CUMMINS Chassis |              |
|           | 35AH2DZ-06013  | 1              | 钢管 - 四回路接前储<br>Steel Tube--4-Loop To Front Air Reservoir |                     | 斯太尔底盘<br>STEYR Chassis                            |              |
| 13        | 35AHD-06015    | 1              | 钢管 - 四回路接后储<br>Steel Tube--4-Loop To Rear Air Reservoir  |                     | 三菱、五十铃、康明斯底盘<br>MITSUBISHI,ISUZU, CUMMINS Chassis |              |

## 储气筒安装总成图 / AIR RESERVOIR INSTALLATION

35-C



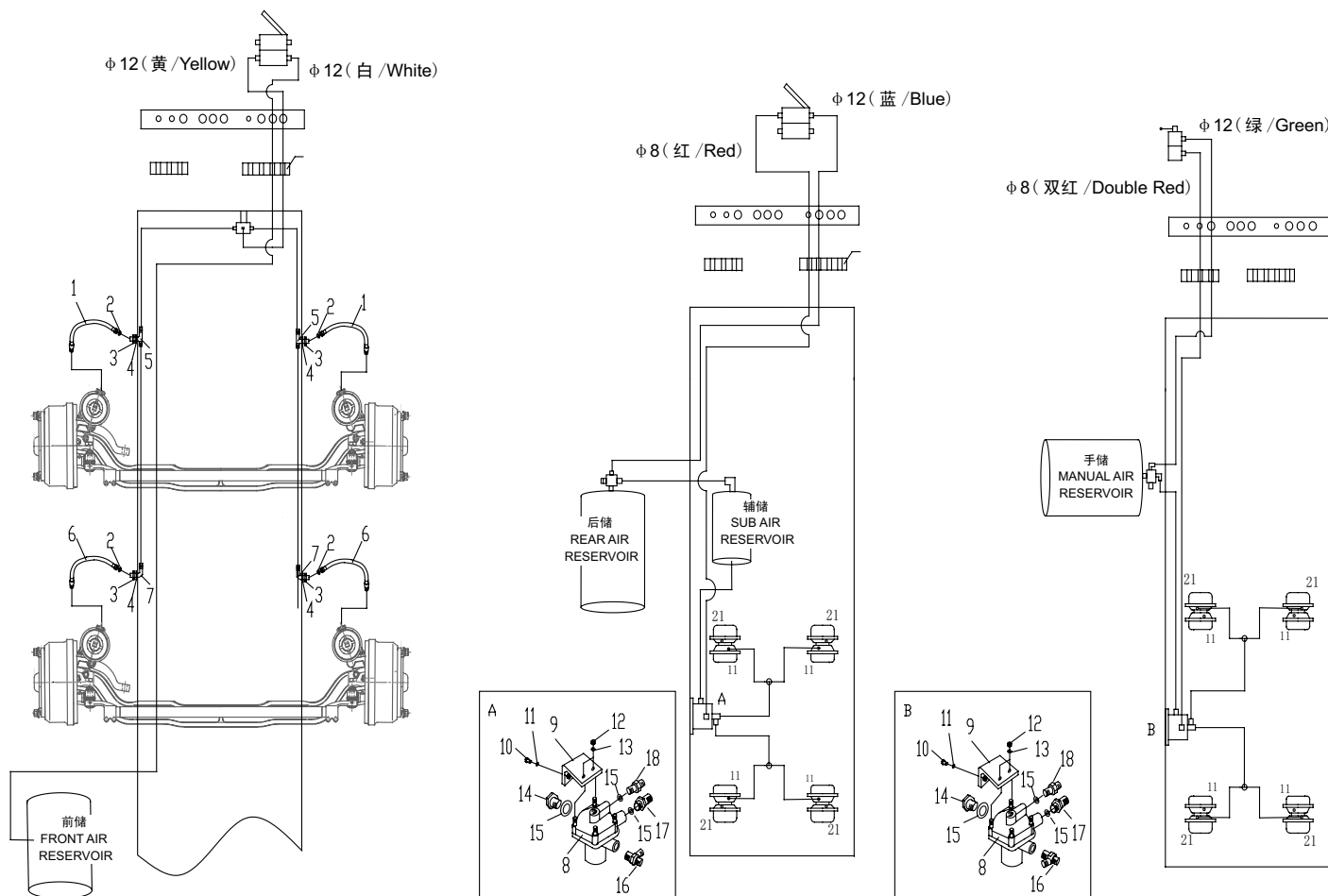
制动系统 / BRAKE SYSTEM

35-18

| 序号<br>No. | 件号<br>Part No. | 数量<br>Quantity | 名称<br>Name  | 规格<br>Specification | 适用产品<br>Products Applied                          | 备注<br>Remark |
|-----------|----------------|----------------|---|---------------------|---|--------------|
| 13        | 35AH2DZ-06015  | 1              | 钢管 - 四回路接后储<br>Steel Tube--4-Loop To Rear Air Reservoir |                     | 斯太尔底盘<br>STEYR Chassis                            |              |
| 14        | 35AHD-06010    | 1              | 钢管 - 干燥器接四回路<br>Steel Tube--Dryer To 4-Loop             |                     | 三菱、五十铃、康明斯底盘<br>MITSUBISHI,ISUZU, CUMMINS Chassis |              |
|           | 35AH2DZ-06010  | 1              | 钢管 - 干燥器接四回路<br>Steel Tube--Dryer To 4-Loop             |                     | 斯太尔底盘<br>STEYR Chassis                            |              |
|           | 35AH23DQ-06010 | 1              | 钢管 - 干燥器接四回路<br>Steel Tube--Dryer To 4-Loop             |                     | 三菱、五十铃、康明斯底盘<br>MITSUBISHI,ISUZU, CUMMINS Chassis |              |
|           | 35AHDQ-06010   | 1              | 钢管 - 干燥器接四回路<br>Steel Tube--Dryer To 4-Loop             |                     | 斯太尔牵引车<br>STEYR Tractor                           |              |
| 15        | 3511A6DP5-010  |                | 空气干燥器<br>Air Dryer                                      |                     |   |              |

## 四桥车制动原理图 / 4-AXLE VEHICLE BRAKE

35-D



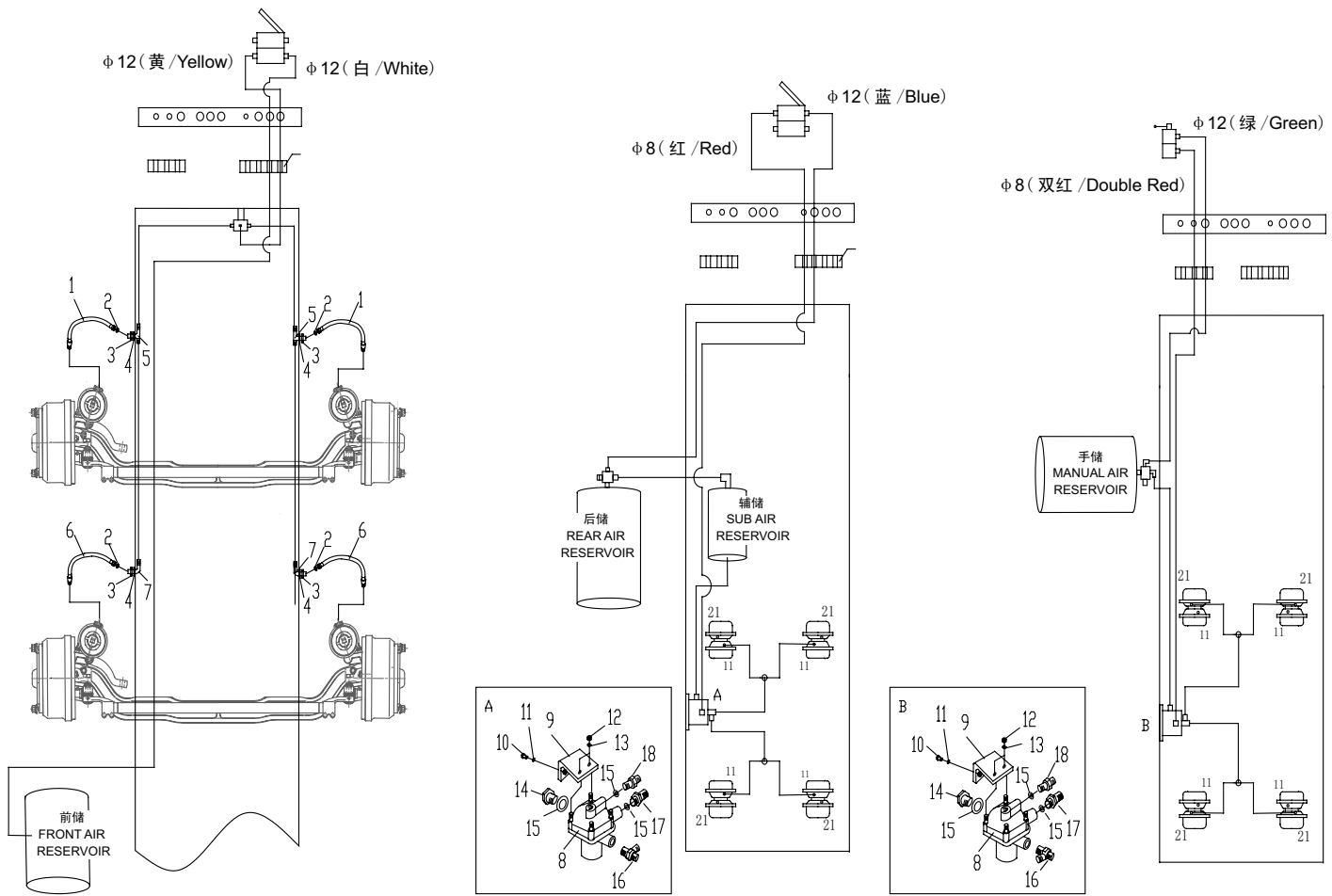
制动系统 / BRAKE SYSTEM

35-20

| 序号<br>No. | 件号<br>Part No. | 数量<br>Quantity | 名称<br>Name  | 规格<br>Specification | 适用产品<br>Products Applied | 备注<br>Remark |
|-----------|----------------|----------------|---|---------------------|--------------------------|--------------|
| 1         | 35AD-06035     | 2              | 橡胶管总成<br>Rubber Tube Assembly                           |                     | 一汽前桥<br>FAW Front Axle   |              |
| 2         | Q72314         | 4              | 密封圈<br>Seal Ring  |                     |                          |              |
| 3         | Q80220         | 4              | 卡套式管接头用薄螺母<br>Thin Nut For Ferrule-Type Tube Connector  |                     |                          |              |
| 4         | Q41020         | 4              | 内锯齿锁紧垫圈<br>Inner Saw Lock Washer                        |                     |                          |              |
| 5         | 35A6DP5-16105  | 4              | 卡套式隔壁式三通接头体<br>Ferrule-Type Bypass Type 3-Way Connector |                     |                          |              |
| 6         | 35A6DP5-06031  | 2              | 橡胶管总成<br>Rubber Tube Assembly                           |                     |                          |              |
| 7         | 35AD-16105     | 2              | 卡套式隔壁式弯管接头体<br>Ferrule-Type Bypass Type Elbow Connector |                     |                          |              |
| 8         | 3527AD-010     | 2              | 继动阀总成<br>Relay Valve Assembly                           |                     |                          |              |
| 9         | 35AD-27105     | 2              | 继动阀支架<br>Relay Valve Bracket                            |                     |                          |              |
| 10        | Q150B1035      | 4              | 六角头螺栓<br>Hexagon Head Bolt                              |                     |                          |              |
| 11        | Q40310         | 4              | 弹簧垫圈<br>Spring Washer                                   |                     |                          |              |
| 12        | Q340B08        | 4              | I型六角螺母<br>Hexagon Full Nut                              |                     |                          |              |
| 13        | Q40308         | 4              | 弹簧垫圈<br>Spring Washer                                   |                     |                          |              |
| 14        | Q617B22        | 2              | 螺塞<br>Plug  |                     |                          |              |

# 四桥车制动原理图 / 4-AXLE VEHICLE BRAKE

**35-D**





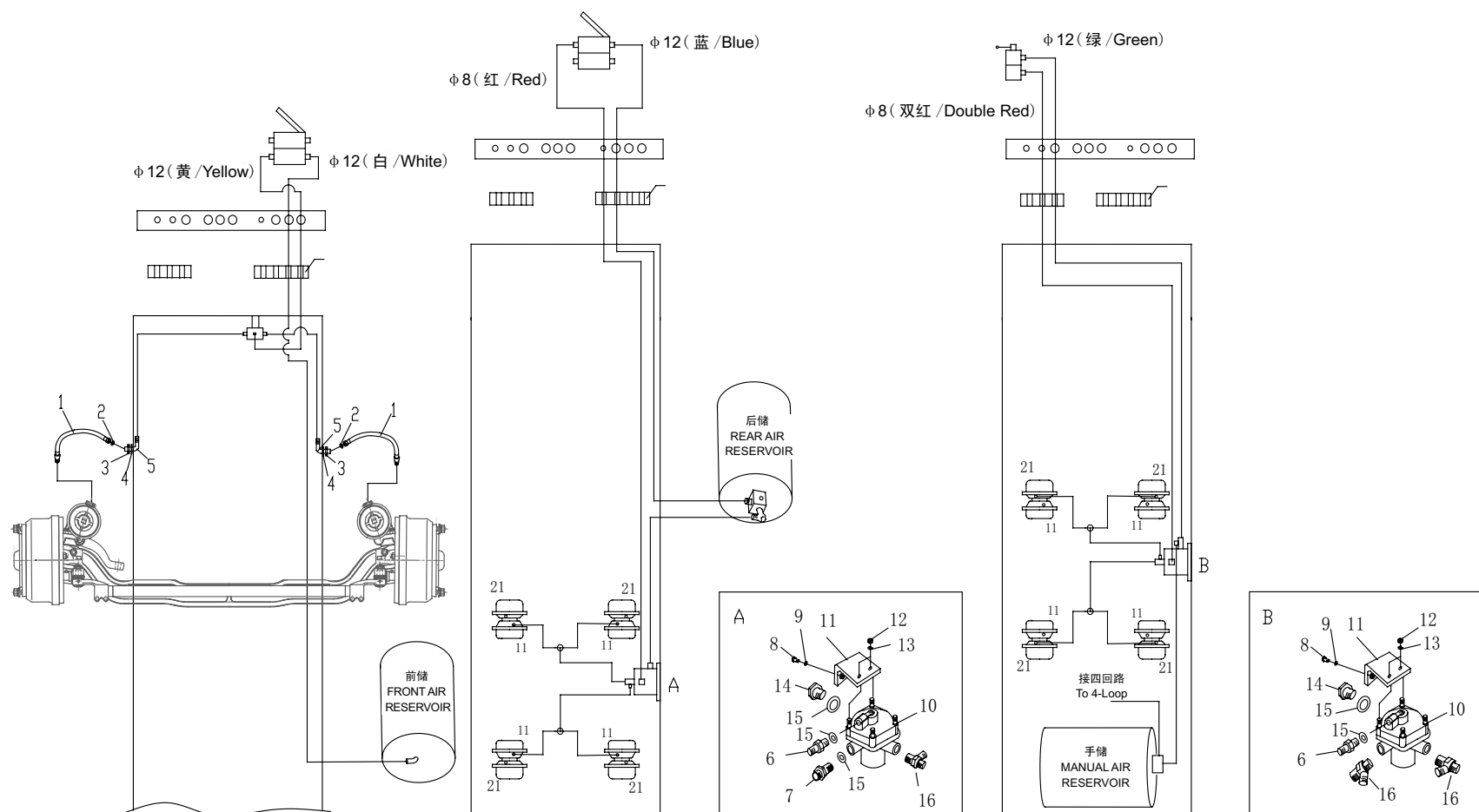
制动系统 / BRAKE SYSTEM

35-22

| 序号<br>No. | 件号<br>Part No. | 数量<br>Quantity | 名称<br>Name                              | 规格<br>Specification | 适用产品<br>Products Applied | 备注<br>Remark |
|-----------|----------------|----------------|---|---------------------|--------------------------|--------------|
| 15        | Q72322         | 6              | 密封垫圈<br>Seal Washer                     |                     |                          |              |
| 16        | 35AD-27102     | 2              | 卡套式三接头体<br>Ferrule-Type 3-Way Connector |                     |                          |              |
| 17        | 35AD-27104     | 2              | 卡套式三接头体<br>Ferrule-Type 3-Way Connector |                     |                          |              |
| 18        | 35AD-27101     | 2              | 卡套式三接头体<br>Ferrule-Type 3-Way Connector |                     |                          |              |

## 6×4 系列底盘制动原理图 (A 型) / 6×4 SERIES CHASSIS BRAKE(A TYPE)

35-E



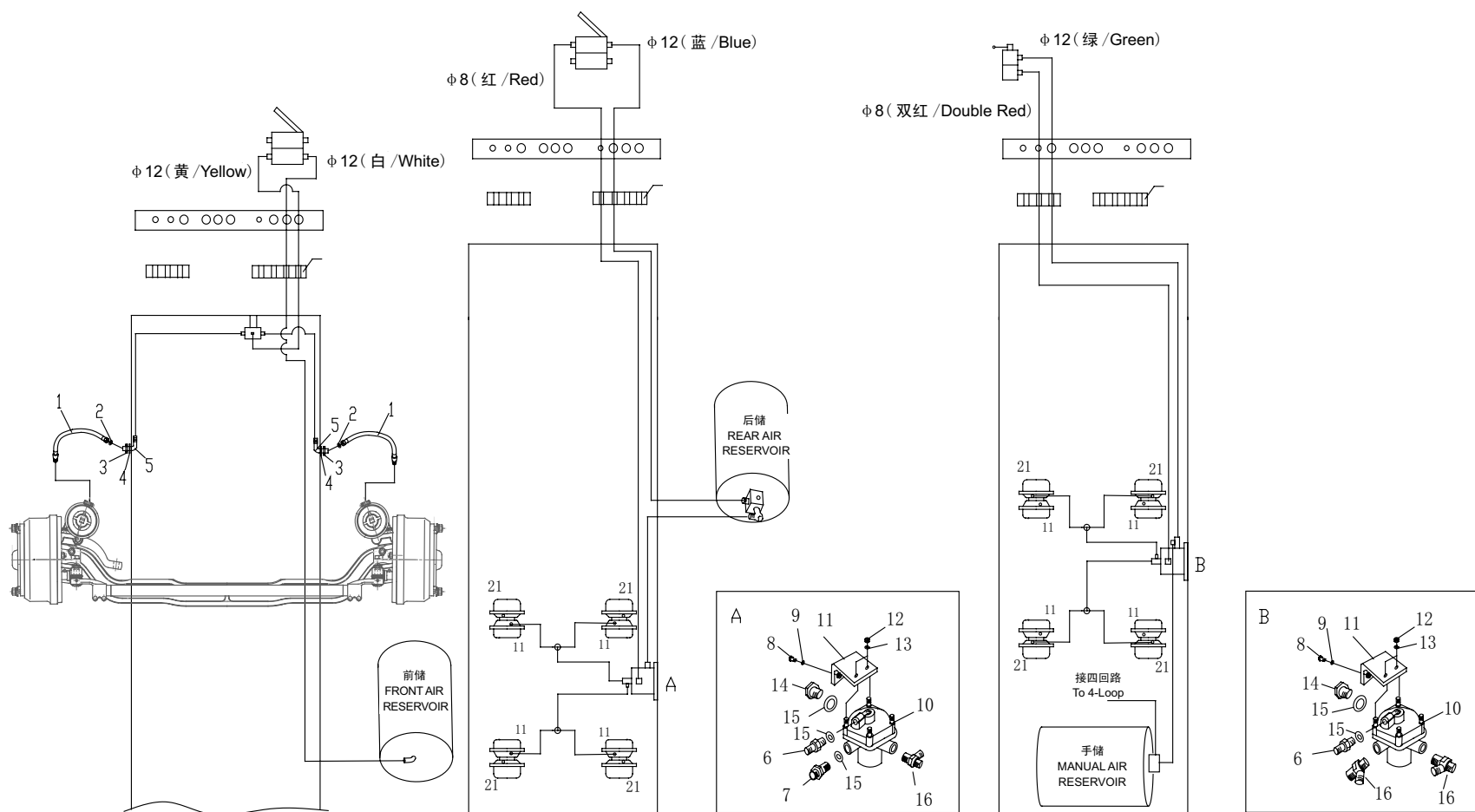
制动系统 / BRAKE SYSTEM

35-24

| 序号<br>No. | 件号<br>Part No. | 数量<br>Quantity | 名称<br>Name  | 规格<br>Specification | 适用产品<br>Products Applied   | 备注<br>Remark |
|-----------|----------------|----------------|---|---------------------|----------------------------|--------------|
| 1         | 35AD-06035     | 2              | 橡胶管总成<br>Rubber Tube Assembly                           |                     | 一汽前桥<br>FAW Front Axle     |              |
|           | 35AD-06030     | 2              | 橡胶管总成<br>Rubber Tube Assembly                           |                     | 泰州前桥<br>TAIZHOU Front Axle |              |
| 2         | Q72314         | 2              | 密封圈<br>Seal Ring  |                     |                            |              |
| 3         | Q80220         | 2              | 卡套式管接头用薄螺母<br>Thin Nut For Ferrule-Type Tube Connector  |                     |                            |              |
| 4         | Q41020         | 2              | 内锯齿锁紧垫圈<br>Inner Saw Lock Washer                        |                     |                            |              |
| 5         | 35AD-16105     | 2              | 卡套式隔壁式弯管接头体<br>Ferrule-Type Bypass Type Elbow Connector |                     |                            |              |
| 6         | 35AD-27101     | 2              | 卡套式直通接头体<br>Ferrule-Type Straight Connector             |                     |                            |              |
| 7         | 35AD-27104     | 1              | 卡套式直通接头体<br>Ferrule-Type Straight Connector             |                     |                            |              |
| 8         | Q150B1035      | 4              | 六角头螺栓<br>Hexagon Head Bolt                              |                     |                            |              |
| 9         | Q40310         | 4              | 弹簧垫圈<br>Spring Washer                                   |                     |                            |              |
| 10        | 3527AD-010     | 2              | 继动阀总成<br>Relay Valve Assembly                           |                     |                            |              |
| 11        | 35AD-27105     | 2              | 继动阀支架<br>Relay Valve Bracket                            |                     |                            |              |
| 12        | Q340B08        | 4              | I型六角螺母<br>Hexagon Full Nut                              |                     |                            |              |
| 13        | Q40308         | 4              | 弹簧垫圈<br>Spring Washer                                   |                     |                            |              |

6×4 系列底盘制动原理图 (A 型) / 6×4 SERIES CHASSIS BRAKE(A TYPE)

35-E



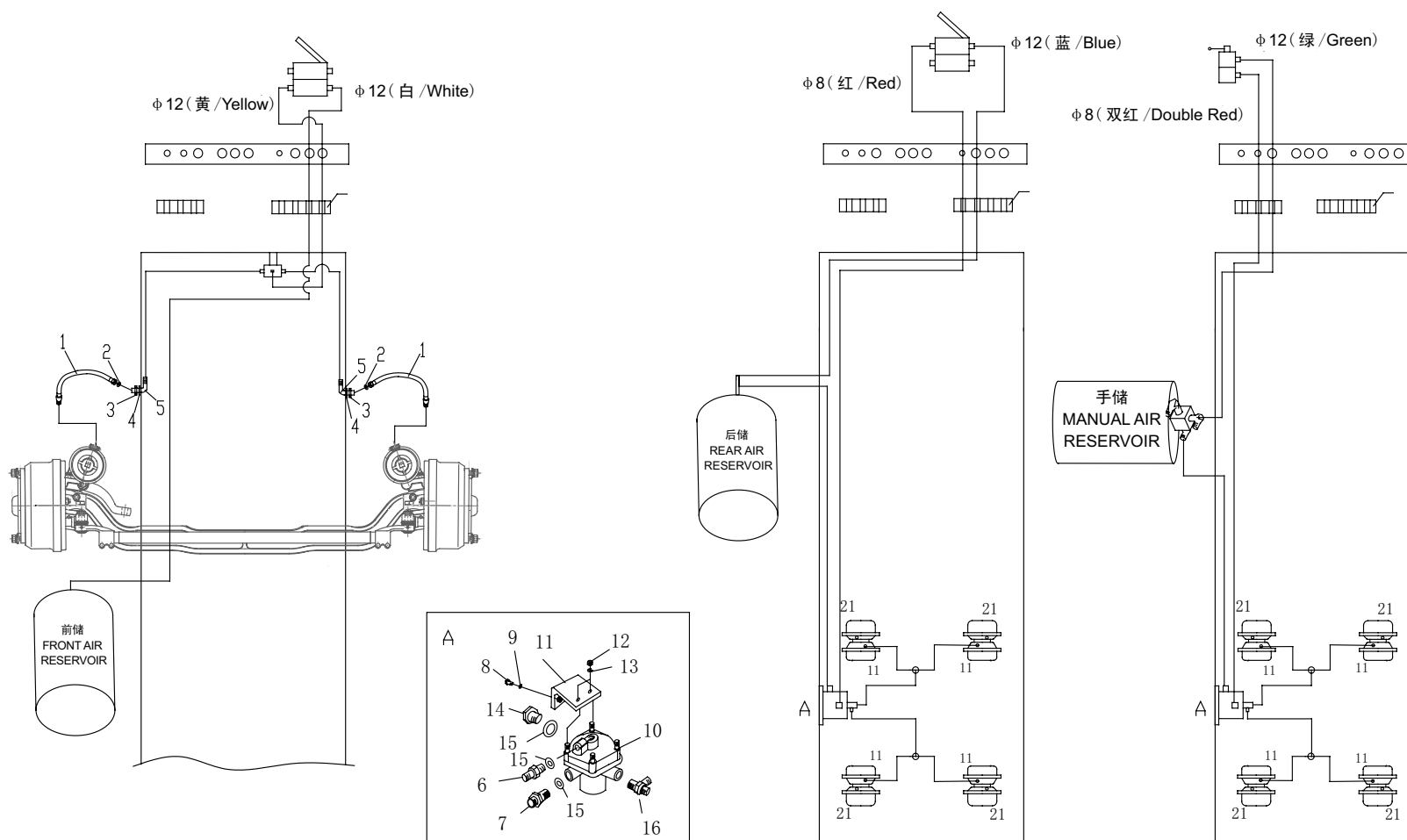
制动系统 / BRAKE SYSTEM

35-26

| 序号<br>No. | 件号<br>Part No. | 数量<br>Quantity | 名称<br>Name                              | 规格<br>Specification | 适用产品<br>Products Applied | 备注<br>Remark |
|-----------|----------------|----------------|---|---------------------|--------------------------|--------------|
| 14        | Q617B22        | 2              | 螺塞<br>Plug                              |                     |                          |              |
| 15        | Q72322         | 1              | 密封垫圈<br>Seal Washer                     |                     |                          |              |
| 16        | 35AD-27102     | 3              | 卡套式三接头体<br>Ferrule-Type 3-Way Connector |                     |                          |              |

6×4 系列底盘制动原理图 (B 型) / 6×4SERIES CHASSIS BRAKE(B TYPE)

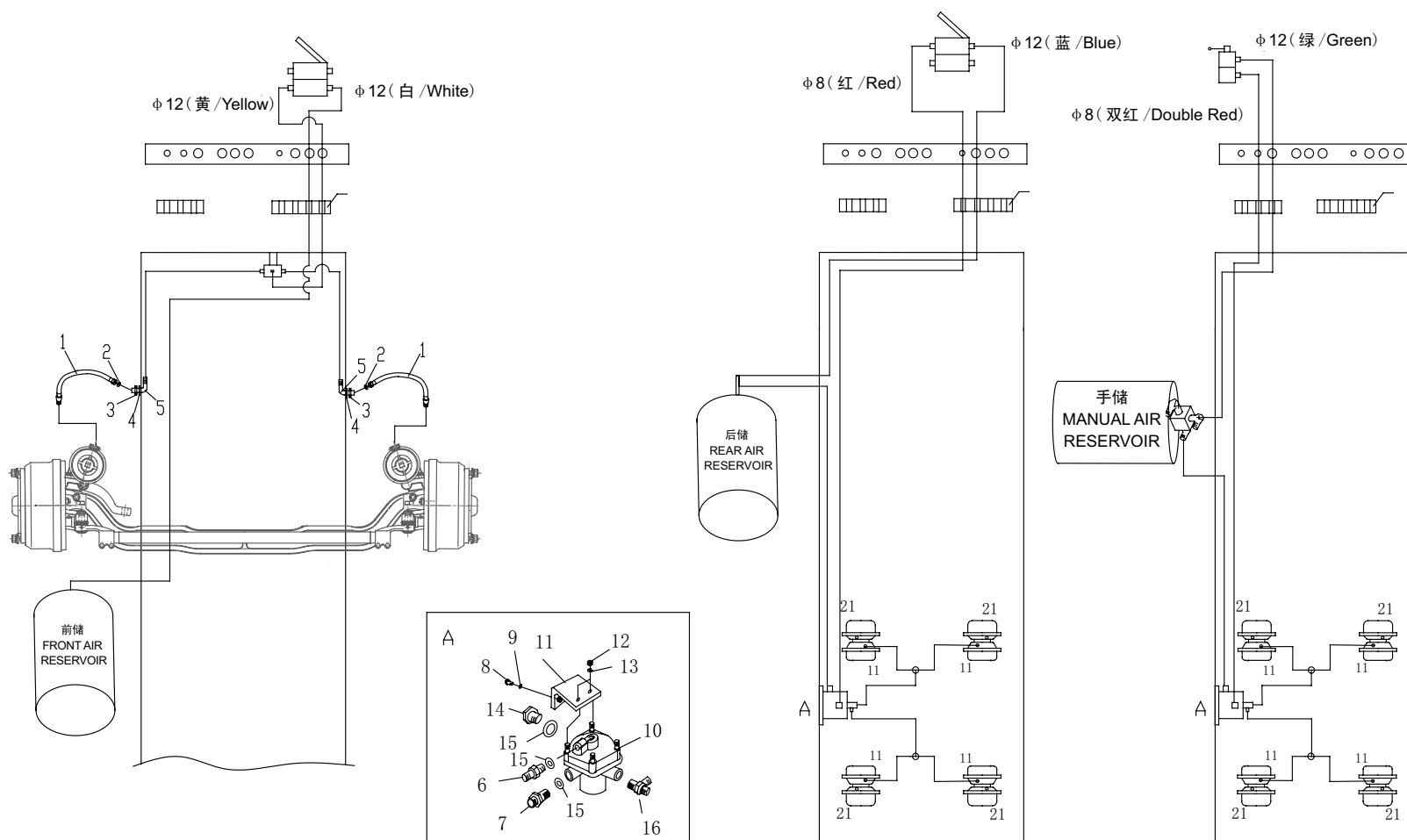
35-F



| 序号<br>No. | 件号<br>Part No. | 数量<br>Quantity | 名称<br>Name  | 规格<br>Specification | 适用产品<br>Products Applied | 备注<br>Remark |
|-----------|----------------|----------------|---|---------------------|--------------------------|--------------|
| 1         | 35AD-06035     | 2              | 橡胶管总成<br>Rubber Tube Assembly                           |                     |                          |              |
| 2         | Q72314         | 2              | 密封圈<br>Seal Ring  |                     |                          |              |
| 3         | Q80220         | 2              | 卡套式管接头用薄螺母<br>Thin Nut For Ferrule-Type Tube Connector  |                     |                          |              |
| 4         | Q41020         | 2              | 内锯齿锁紧垫圈<br>Inner Saw Lock Washer                        |                     |                          |              |
| 5         | 35AD-16105     | 2              | 卡套式隔壁式弯管接头体<br>Ferrule-Type Bypass Type Elbow Connector |                     |                          |              |
| 6         | 35AD-27101     | 1              | 卡套式直通接头体<br>Ferrule-Type Straight Connector             |                     |                          |              |
| 7         | 35AD-27104     | 1              | 卡套式直通接头体<br>Ferrule-Type Straight Connector             |                     |                          |              |
| 8         | Q150B1035      | 2              | 六角头螺栓<br>Hexagon Head Bolt                              |                     |                          |              |
| 9         | Q40310         | 2              | 弹簧垫圈<br>Spring Washer                                   |                     |                          |              |
| 10        | 3527AD-010     | 1              | 继动阀总成<br>Relay Valve Assembly                           |                     |                          |              |
| 11        | 35AD-27105     | 1              | 继动阀支架<br>Relay Valve Bracket                            |                     |                          |              |
| 12        | Q340B08        | 2              | I型六角螺母<br>Hexagon Full Nut                              |                     |                          |              |
| 13        | Q40308         | 2              | 弹簧垫圈<br>Spring Washer                                   |                     |                          |              |
| 14        | Q617B22        | 1              | 螺塞<br>Plug  |                     |                          |              |

6×4 系列底盘制动原理图 (B 型) / 6×4 SERIES CHASSIS BRAKE (B TYPE)

35-F





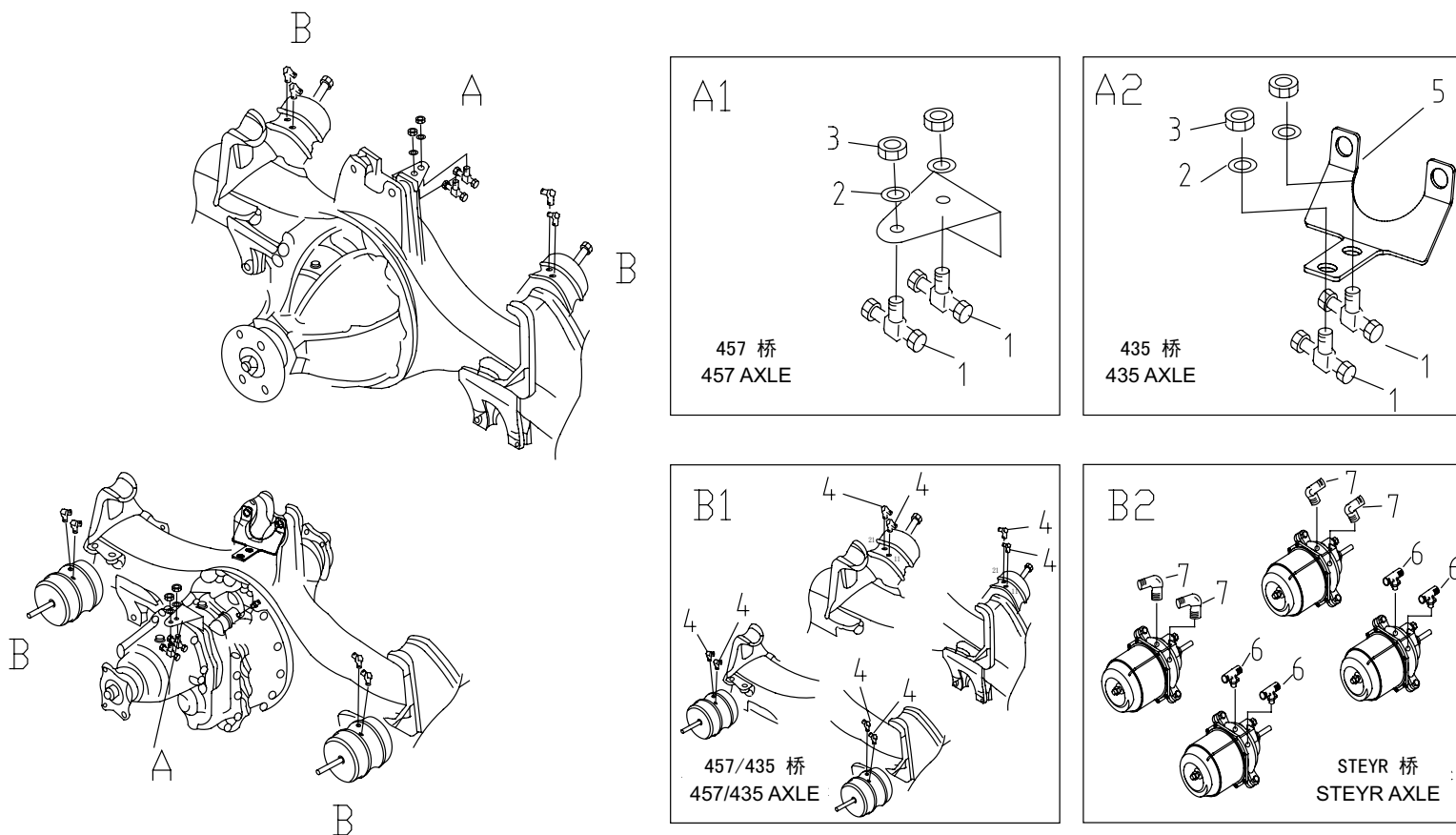
制动系统 / BRAKE SYSTEM

35-30

| 序号<br>No. | 件号<br>Part No. | 数量<br>Quantity | 名称<br>Name                               | 规格<br>Specification | 适用产品<br>Products Applied | 备注<br>Remark |
|-----------|----------------|----------------|--|---------------------|--------------------------|--------------|
| 15        | Q72322         | 3              | 密封垫圈<br>Seal Washer                      |                     |                          |              |
| 16        | 35AD-27102     | 1              | 卡套式三通接头体<br>Ferrule-Type 3-Way Connector |                     |                          |              |

双后桥装配图 (NO ABS) / DUAL REAR AXLE(W/O ABS)

35-G



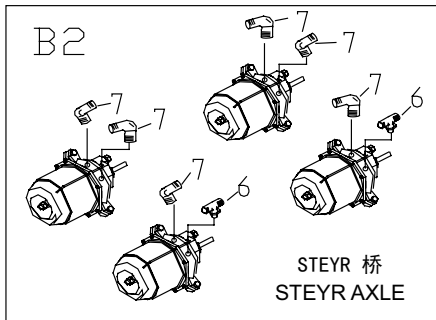
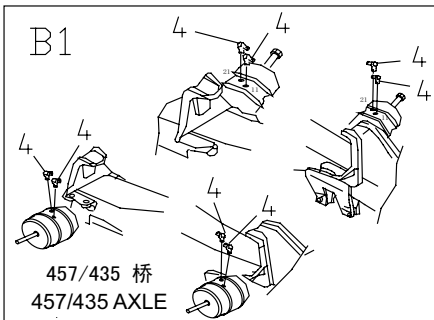
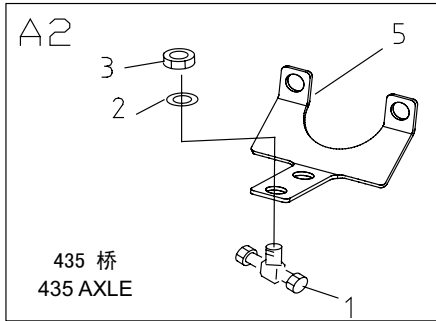
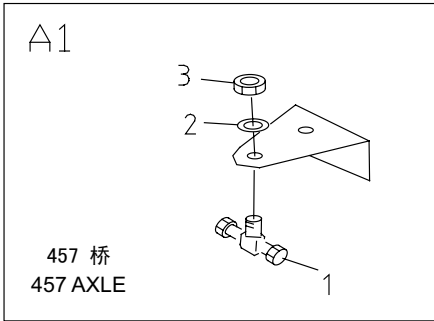
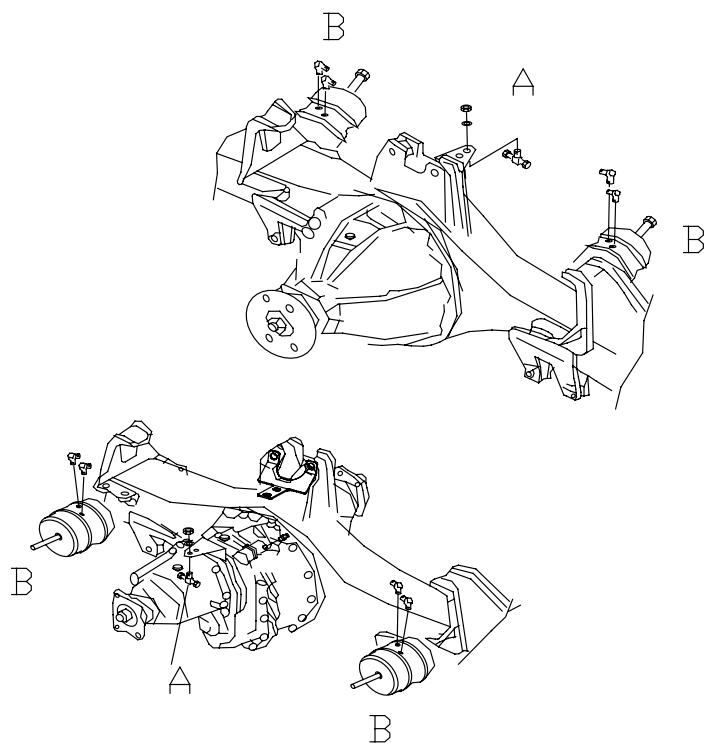
制动系统 / BRAKE SYSTEM

35-32

| 序号<br>No. | 件号<br>Part No. | 数量<br>Quantity | 名称<br>Name  | 规格<br>Specification | 适用产品<br>Products Applied | 备注<br>Remark |
|-----------|----------------|----------------|---|---------------------|--------------------------|--------------|
| 1         | 35AD-06173     | 2              | 隔壁式三通接头体 (457 桥 /435 桥)<br>Bypass Type 3-Way Connector(457 Axle/435 Axle) |                     |                          |              |
| 2         | Q41018         | 2              | 内锯齿锁进垫圈 (457 桥 /435 桥)<br>Inner Saw Lock Washer (457 Axle/435 Axle)       |                     |                          |              |
| 3         | Q80218         | 2              | 卡套式管接头用六角薄螺母<br>Thin Hexagon Nut For Ferrule-Type Tube Connector          |                     |                          |              |
| 4         | Q80812         | 8              | 卡套式锥螺纹直角接头体<br>Ferrule-Type Taper Thread Right Angle Connector            |                     |                          |              |
| 5         | 35A7DZ-06172   | 1              | 三通接头固定支架<br>3-Way Connector Holding Bracket                               |                     |                          |              |
| 6         | 35ADQ-22013    | 4              | 卡套式三通接头体<br>Ferrule-Type 3-Way Connector                                  |                     |                          |              |
| 7         | 35ADQ-22014    | 4              | 卡套式直通接头体<br>Ferrule-Type Straight Connector                               |                     |                          |              |

双后桥预装配图 (配 ABS)/DUAL REAR AXLE(W/ABS)

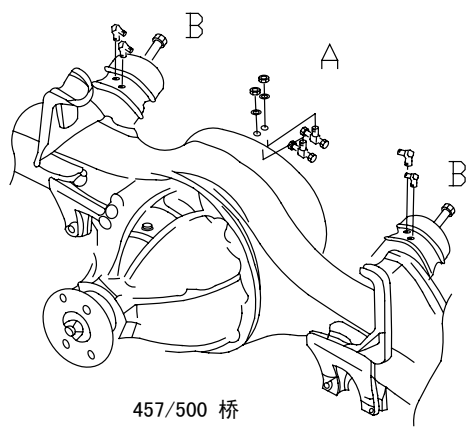
35-H



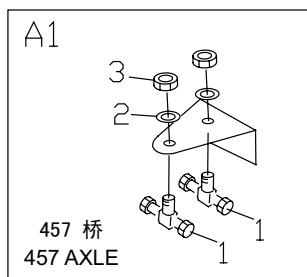
| 序号<br>No. | 件号<br>Part No. | 数量<br>Quantity | 名称<br>Name   | 规格<br>Specification | 适用产品<br>Products Applied | 备注<br>Remark |
|-----------|----------------|----------------|--|---------------------|--------------------------|--------------|
| 1         | 35AD-06173     | 1              | 隔壁式三通接头体<br>Bypass 3-Way Connector                               |                     |                          |              |
| 2         | Q41018         | 1              | 内锯齿锁进垫圈<br>Inner Saw Lock Washer                                 |                     |                          |              |
| 3         | Q80218         | 1              | 卡套式管接头用六角薄螺母<br>Thin Hexagon Nut For Ferrule-Type Tube Connector |                     |                          |              |
| 4         | Q80812         | 8              | 卡套式锥螺纹直角接头体<br>Ferrule-Type Taper Thread Right Angle Connector   |                     |                          |              |
| 5         | 35A7DZ-06172   | 1              | 三通接头固定支架<br>3-Way Connector Holding Bracket                      |                     |                          |              |
| 6         | 35ADQ-22013    | 2              | 卡套式三通接头体<br>Ferrule-Type 3-Way Connector                         |                     |                          |              |
| 7         | 35ADQ-22014    | 6              | 卡套式直角接头体<br>Ferrule-Type Right Angle Connector                   |                     |                          |              |

单后桥预装配图 (NO ABS)/SINGLE REAR AXLE(W/O ABS)

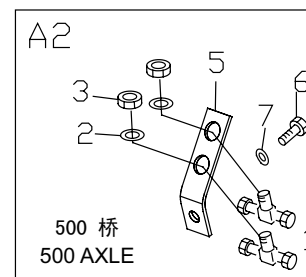
35-1



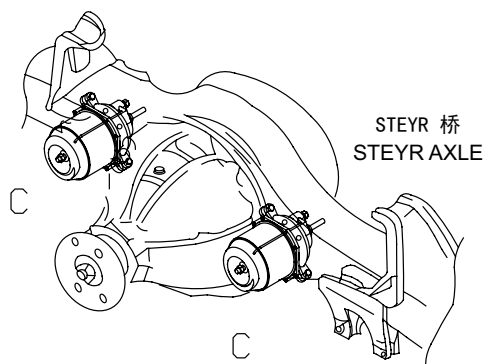
457/500 桥  
457/500 AXLE



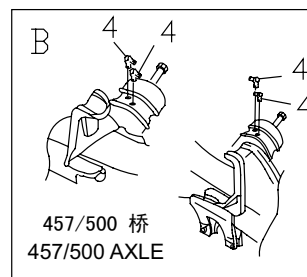
457 桥  
457 AXLE



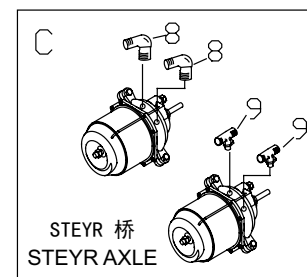
500 桥  
500 AXLE



STEYR 桥  
STEYR AXLE



457/500 桥  
457/500 AXLE

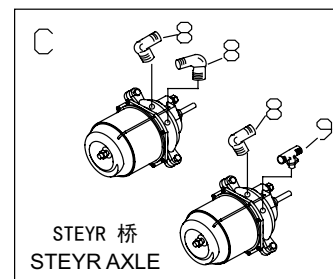
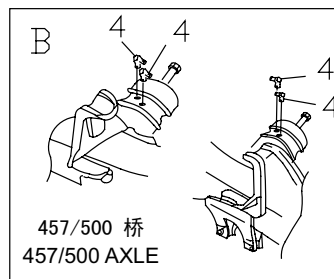
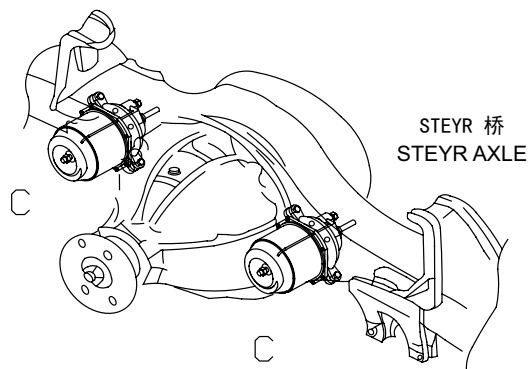
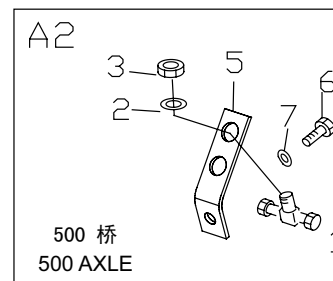
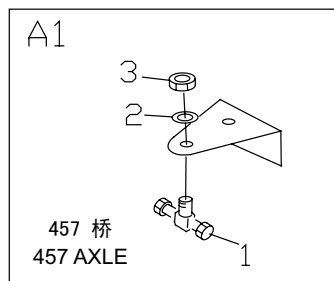
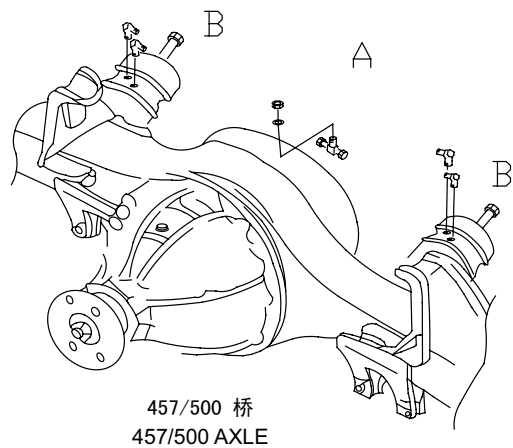


STEYR 桥  
STEYR AXLE

| 序号<br>No. | 件号<br>Part No. | 数量<br>Quantity | 名称<br>Name   | 规格<br>Specification | 适用产品<br>Products Applied | 备注<br>Remark |
|-----------|----------------|----------------|--|---------------------|--------------------------|--------------|
| 1         | 35AD-06173     | 2              | 隔壁式三通接头体<br>Bypass Type Type 3-Way Connector                     |                     |                          |              |
| 2         | Q41018         | 2              | 内锯齿锁进垫圈<br>Inner Saw Lock Washer                                 |                     |                          |              |
| 3         | Q80218         | 2              | 卡套式管接头用六角薄螺母<br>Thin Hexagon Nut For Ferrule-Type Tube Connector |                     |                          |              |
| 4         | Q80812         | 4              | 卡套式锥螺纹直角接头体<br>Ferrule-Type Taper Thread Right Angle Connector   |                     |                          |              |
| 5         | 35A4DQ1-06172  | 1              | 三通接头固定支架<br>3-Way Connector Holding Bracket                      |                     |                          |              |
| 6         | Q150B1225      | 1              | 六角头螺栓<br>Hexagon Head Bolt                                       |                     |                          |              |
| 7         | Q40312         | 1              | 弹簧垫圈<br>Spring Washer  |                     |                          |              |
| 8         | 35ADQ-22014    | 2              | 卡套式直角接头体<br>Ferrule-Type Right Angle Connector                   |                     |                          |              |
| 9         | 35ADQ-22013    | 2              | 卡套式三通接头体<br>Ferrule-Type 3-Way Connector                         |                     |                          |              |

单后桥预装配图 ( 配 ABS) / SINGLE REAR AXLE (W/ ABS)

35-J





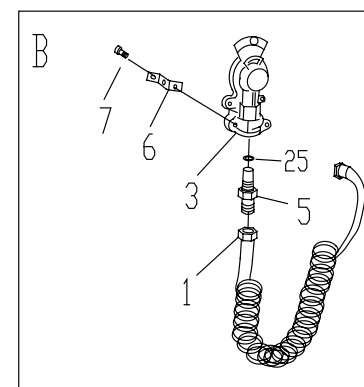
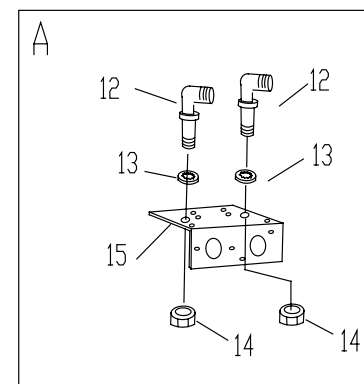
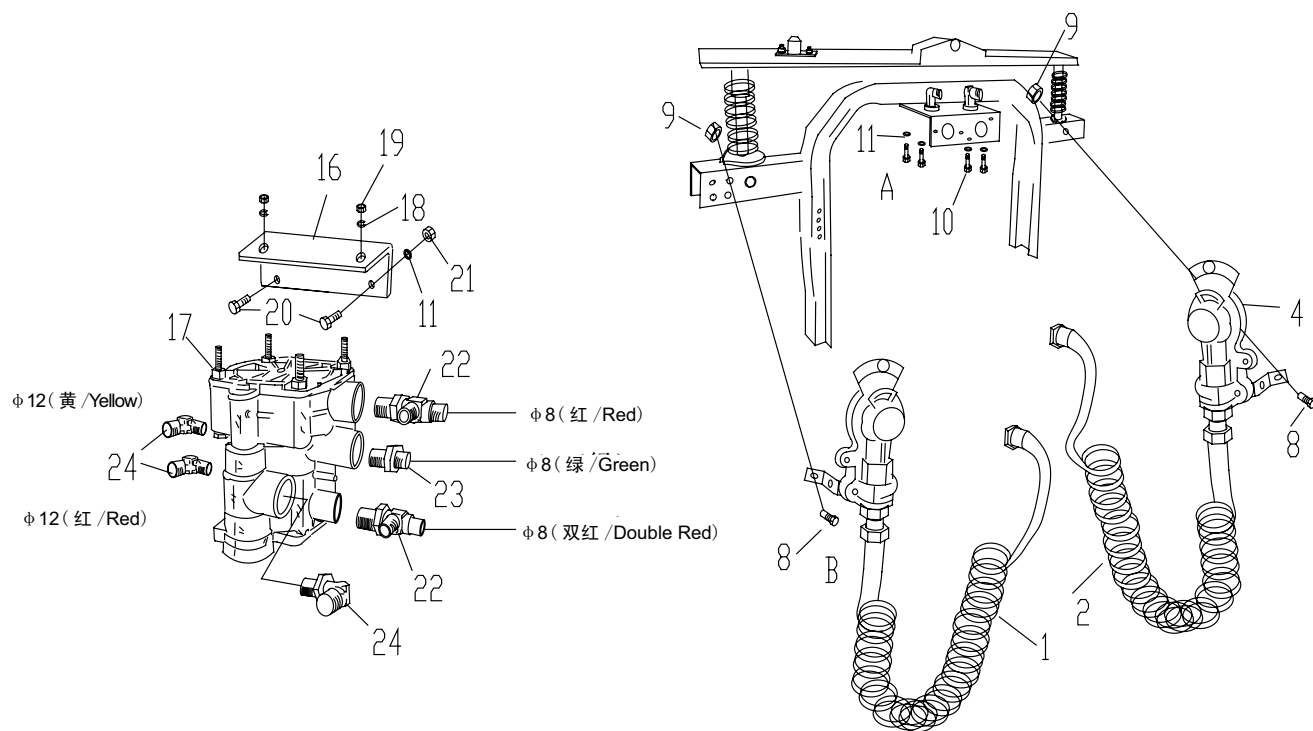
制动系统 / BRAKE SYSTEM

35-38

| 序号<br>No. | 件号<br>Part No. | 数量<br>Quantity | 名称<br>Name   | 规格<br>Specification | 适用产品<br>Products Applied | 备注<br>Remark |
|-----------|----------------|----------------|--|---------------------|--------------------------|--------------|
| 1         | 35AD-06173     | 1              | 隔壁式三通接头体<br>Bypass Type 3-Way Connector                          |                     |                          |              |
| 2         | Q41018         | 1              | 内锯齿锁进垫圈<br>Inner Saw Lock Washer                                 |                     |                          |              |
| 3         | Q80218         | 1              | 卡套式管接头用六角薄螺母<br>Thin Hexagon Nut For Ferrule-Type Tube Connector |                     |                          |              |
| 4         | Q80812         | 4              | 卡套式锥螺纹直角接头体<br>Ferrule-Type Taper Thread Right Angle Connector   |                     |                          |              |
| 5         | 35A4DQ1-06172  | 1              | 三通接头固定支架<br>3-Way Connector Holding Bracket                      |                     |                          |              |
| 6         | Q150B1225      | 1              | 六角头螺栓<br>Hexagon Head Bolt                                       |                     |                          |              |
| 7         | Q40312         | 1              | 弹簧垫圈<br>Spring Washer  |                     |                          |              |
| 8         | 35ADQ-22014    | 3              | 卡套式直角接头体<br>Ferrule-Type Right Angle Connector                   |                     |                          |              |
| 9         | 35ADQ-22013    | 1              | 卡套式三通接头体<br>Ferrule-Type 3-Way Connector                         |                     |                          |              |

## 挂车阀及螺旋管预装图 / TRAILER BRAKE VALVE AND SPIRAL TUBE

## 35-K



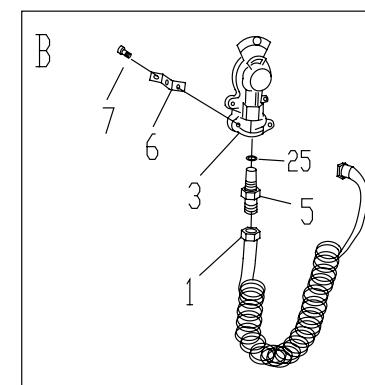
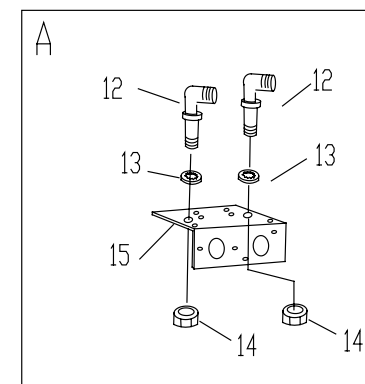
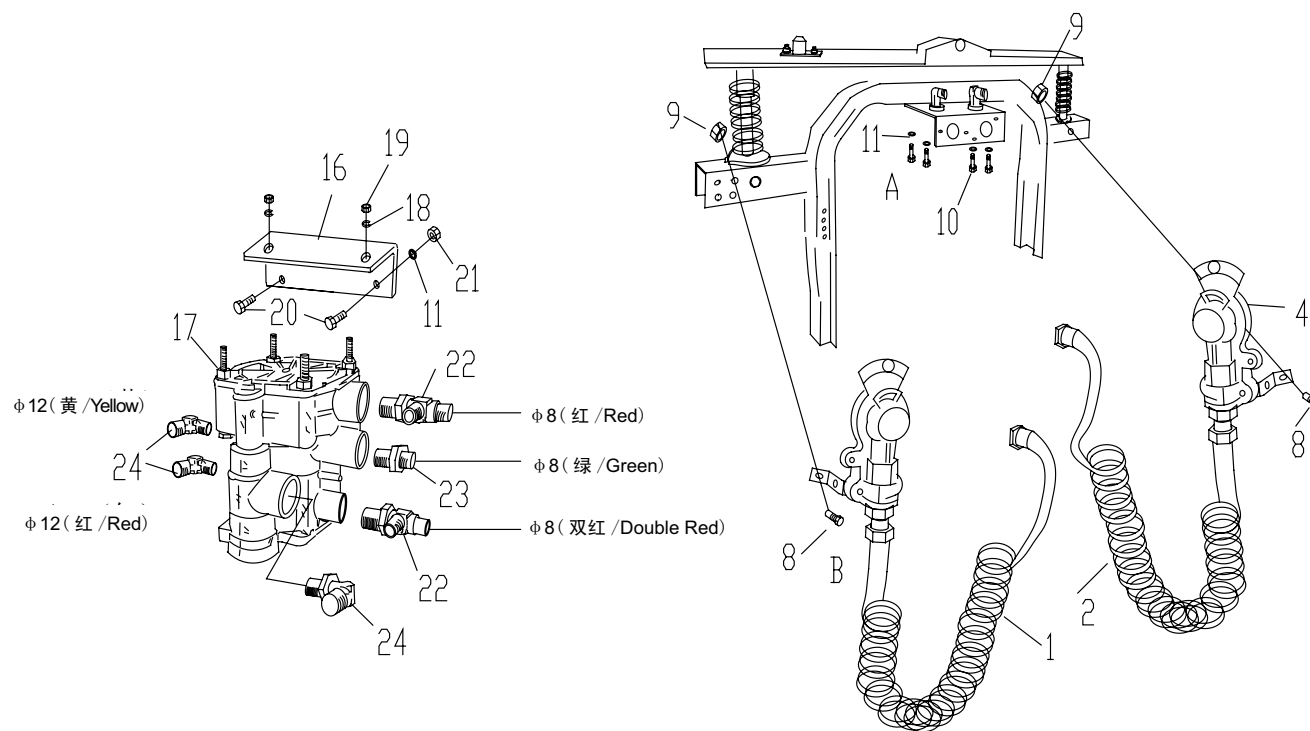
制动系统 / BRAKE SYSTEM

35-40

| 序号<br>No. | 件号<br>Part No. | 数量<br>Quantity | 名称<br>Name   | 规格<br>Specification | 适用产品<br>Products Applied | 备注<br>Remark |
|-----------|----------------|----------------|--|---------------------|--------------------------|--------------|
| 1         | 35ADQ-06660    | 1              | 螺旋管总成 (黄)<br>Spiral Tube Assembly(Yellow)                    |                     |                          |              |
| 2         | 35ADQ-06650    | 1              | 螺旋管总成 (红)<br>Spiral Tube Assembly(Red)                       |                     |                          |              |
| 3         | 3521ADQ-020    | 1              | 连接接头 (黄)<br>Connector(Yellow)                                |                     |                          |              |
| 4         | 3521ADQ-010    | 1              | 连接接头 (红)<br>Connector(Red)                                   |                     |                          |              |
| 5         | Q80412         | 2              | 卡套式直通接头体<br>Ferrule-Type Straight Connector                  |                     |                          |              |
| 6         | 37AD-34047     | 2              | 固定支架<br>Holding Bracket                                      |                     |                          |              |
| 7         | Q1840625       | 2              | 六角法兰面螺栓<br>Hexagon Bolt With Flange                          |                     |                          |              |
| 8         | Q1840820       | 2              | 六角法兰面螺栓<br>Hexagon Bolt With Flange                          |                     |                          |              |
| 9         | Q32008         | 2              | 六角法兰面螺母<br>Hexagon Nut With Flange                           |                     |                          |              |
| 10        | Q150B1016      | 4              | 六角头螺栓<br>Hexagon Head Bolt                                   |                     |                          |              |
| 11        | Q40310         | 6              | 弹簧垫圈<br>Spring Washer  |                     |                          |              |
| 12        | Q81412         | 2              | 卡套式隔壁直角接头体<br>Ferrule-Type Bypass Type Right Angle Connector |                     |                          |              |
| 13        | Q41018         | 2              | 内锯齿锁紧垫圈<br>Inner Saw Lock Washer                             |                     |                          |              |
| 14        | Q80218         | 2              | 六角薄螺母<br>Hexagon Thin Nut                                    |                     |                          |              |

## 挂车阀及螺旋管预装图 / TRAILER BRAKE VALVE AND SPIRAL TUBE

## 35-K



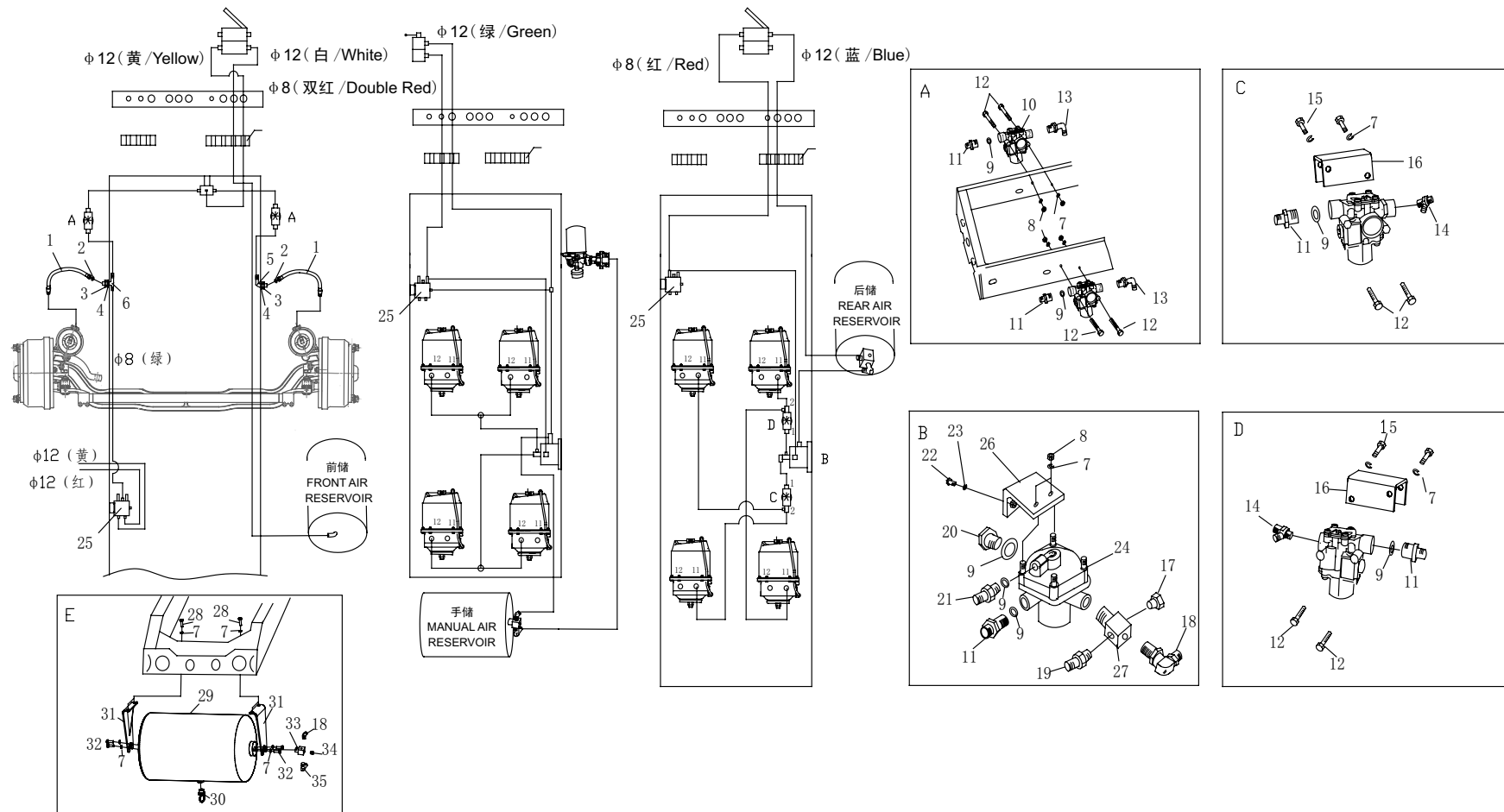
制动系统 / BRAKE SYSTEM

35-42

| 序号<br>No. | 件号<br>Part No. | 数量<br>Quantity | 名称<br>Name   | 规格<br>Specification | 适用产品<br>Products Applied | 备注<br>Remark |
|-----------|----------------|----------------|--|---------------------|--------------------------|--------------|
| 15        | 35ADQ-21003    | 1              | 连接接头支架<br>Connector Bracket                            |                     |                          |              |
| 16        | 35ADQ-22011    | 1              | 挂车阀支架<br>Trailer Brake Valve Bracket                   |                     |                          |              |
| 17        | 3522ADQ-010    | 1              | 挂车阀总成<br>Trailer Brake Valve Assembly                  |                     |                          |              |
| 18        | Q40310         | 2              | 弹簧垫圈<br>Spring Washer                                  |                     |                          |              |
| 19        | Q340B10        | 2              | I型六角螺母<br>Hexagon Full Nut                             |                     |                          |              |
| 20        | Q150B1035      | 2              | 六角头螺栓<br>Hexagon Head Bolt                             |                     |                          |              |
| 21        | Q340B08        | 2              | I型六角螺母<br>Hexagon Full Nut                             |                     |                          |              |
| 22        | 35ADQ-22017    | 2              | 卡套式直角三通接头体<br>Ferrule-Type Right Angle 3-Way Connector |                     |                          |              |
| 23        | 35ADQ-22016    | 1              | 卡套式直通接头体<br>Ferrule-Type Straight Connector            |                     |                          |              |
| 24        | 35ADQ-22014    | 3              | 卡套式直角接头体<br>Ferrule-Type Right Angle Connector         |                     |                          |              |
| 25        | Q72316         | 2              | 密封垫圈<br>Seal Washer                                    |                     |                          |              |

## 6×4 牵引车制动原理图 / 6×4 TRACTOR BRAKE

35-L



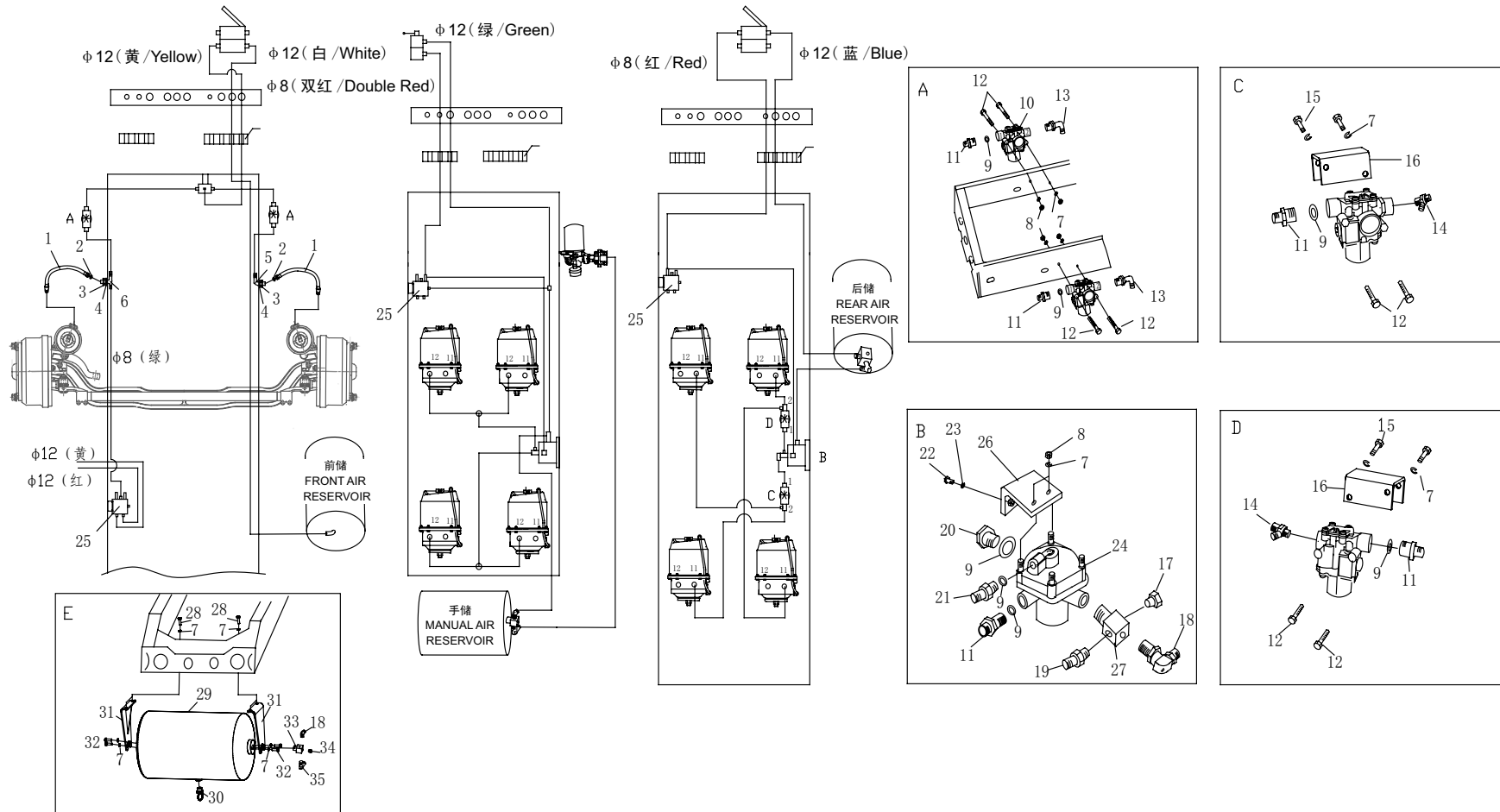
# 制动系统 / BRAKE SYSTEM

35-44

| 序号<br>No. | 件号<br>Part No. | 数量<br>Quantity | 名称<br>Name   | 规格<br>Specification | 适用产品<br>Products Applied | 备注<br>Remark |
|-----------|----------------|----------------|--|---------------------|--------------------------|--------------|
| 1         | 35AD-06035     | 2              | 橡胶管总成<br>Rubber Tube Assembly                                |                     | 一汽前桥<br>FAW Front Axle   |              |
| 2         | Q72314         | 2              | 密封圈<br>Seal Ring   |                     |                          |              |
| 3         | Q80220         | 2              | 卡套式管接头用薄螺母<br>Thin Nut For Ferrule-Type Tube Connector       |                     |                          |              |
| 4         | Q41020         | 2              | 内锯齿锁紧垫圈<br>Inner Saw Lock Washer                             |                     |                          |              |
| 5         | 35AD-16105     | 1              | 卡套式隔壁式弯管接头体<br>Ferrule-Type Bypass Type Elbow Connector      |                     |                          |              |
| 6         | 35ADQ-16105    | 1              | 卡套式隔壁式三通接头体<br>Ferrule-Type Bypass Type Type 3-Way Connector |                     |                          |              |
| 7         | Q40308         | 18             | 弹簧垫圈<br>Spring Washer  |                     |                          |              |
| 8         | Q340B08        | 6              | I型六角螺母<br>Hexagon Full Nut                                   |                     |                          |              |
| 9         | Q72322         | 7              | 密封垫圈<br>Seal Washer  |                     |                          |              |
| 10        | 3550ADQ-010    | 4              | ABS 电磁阀<br>ABS Solenoid Valve                                |                     |                          |              |
| 11        | 35AD-27104     | 5              | 卡套式直通接头体<br>Ferrule-Type Straight Connector                  |                     |                          |              |
| 12        | Q150B0880      | 8              | 六角头螺栓<br>Hexagon Head Bolt                                   |                     |                          |              |
| 13        | 35ADQ-27108    | 2              | 卡套式直角接头体<br>Ferrule-Type Right Angle Connector               |                     |                          |              |
| 14        | 35AD-27102     | 2              | 卡套式三通接头体<br>Ferrule-Type 3-Way Connector                     |                     |                          |              |

6×4 牵引车制动原理图 / 6×4 TRACTOR BRAKE

35-L





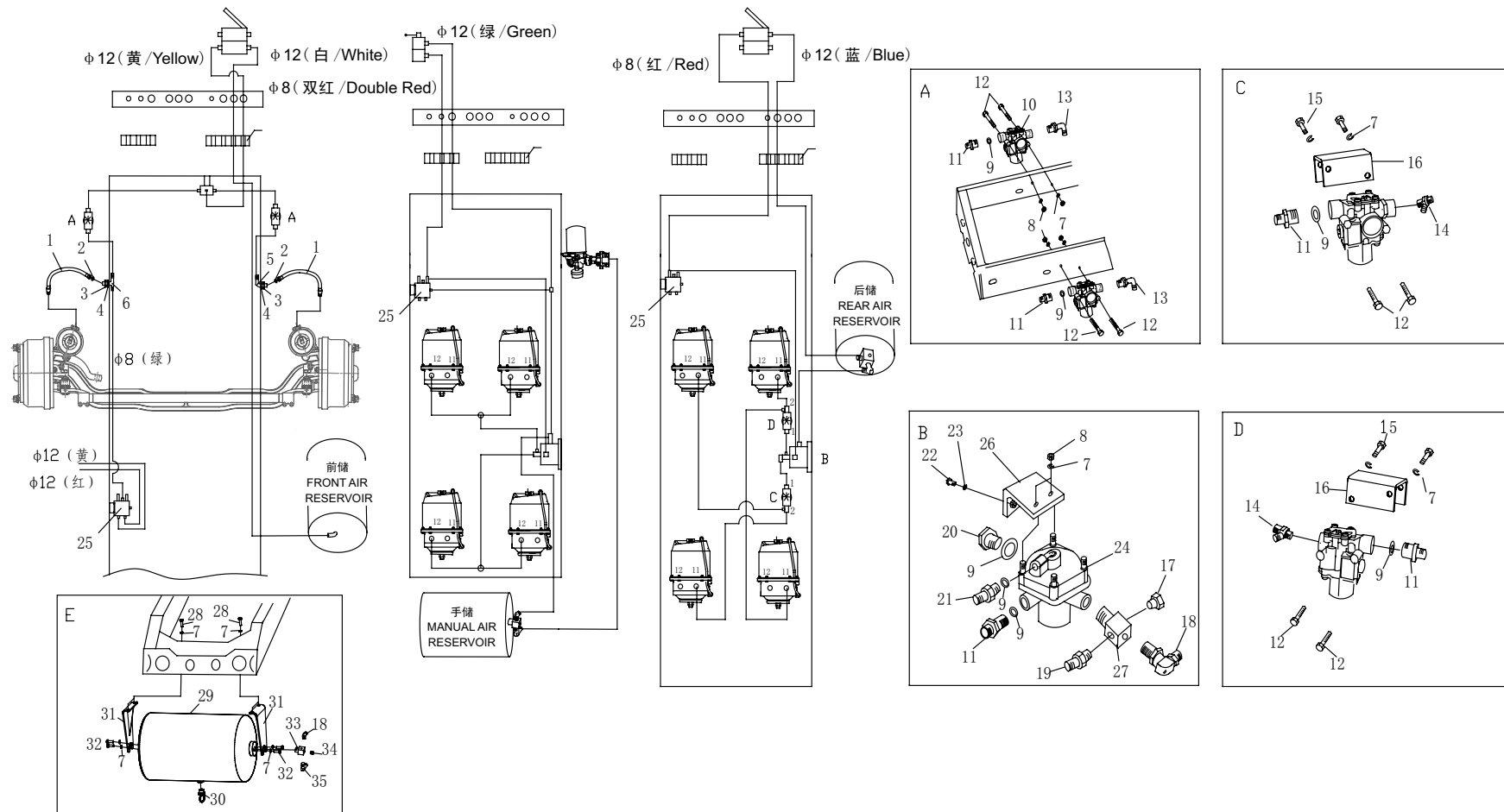
制动系统 / BRAKE SYSTEM

35-46

| 序号<br>No. | 件号<br>Part No. | 数量<br>Quantity | 名称<br>Name  | 规格<br>Specification | 适用产品<br>Products Applied | 备注<br>Remark |
|-----------|----------------|----------------|---|---------------------|--------------------------|--------------|
| 15        | Q150B0835      | 4              | 六角头螺栓<br>Hexagon Head Bolt                                  |                     |                          |              |
| 16        | 35ADQ-28020    | 2              | ABS 固定支架<br>ABS Holding Bracket                             |                     |                          |              |
| 17        | 35AD-13005     | 1              | 内六角形螺塞<br>Inner Hexagon Plug                                |                     |                          |              |
| 18        | 35AD-13004     | 1              | 卡套式直角接头<br>Ferrule-Type Right Angle Connector               |                     |                          |              |
| 19        | 35AD-13009     | 1              | 卡套式锥螺纹直通接头体<br>Ferrule-Type Taper Thread Straight Connector |                     |                          |              |
| 20        | Q617B22        | 1              | 螺塞<br>Plug  |                     |                          |              |
| 21        | 35AD-27101     | 1              | 卡套式直通接头体<br>Ferrule-Type Straight Connector                 |                     |                          |              |
| 22        | Q150B1035      | 2              | 六角头螺栓<br>Hexagon Head Bolt                                  |                     |                          |              |
| 23        | Q40310         | 2              | 弹簧垫圈<br>Spring Washer                                       |                     |                          |              |
| 24        | 3527AD-010     | 1              | 继动阀总成<br>Relay Valve Assembly                               |                     |                          |              |
| 25        | 3522ADQ-010    | 1              | 挂车阀总成<br>Trailer Brake Valve Assembly                       |                     |                          |              |
| 26        | 35AD-27105     | 1              | 继动阀支架<br>Relay Valve Bracket                                |                     |                          |              |
| 27        | 35AD-27107     | 1              | 四通接头体<br>4-Way Connector                                    |                     |                          |              |
| 28        | Q150B0825      | 4              | 六角头螺栓<br>Hexagon Head Bolt                                  |                     |                          |              |

## 6×4 牵引车制动原理图 / 6×4 TRACTOR BRAKE

35-L



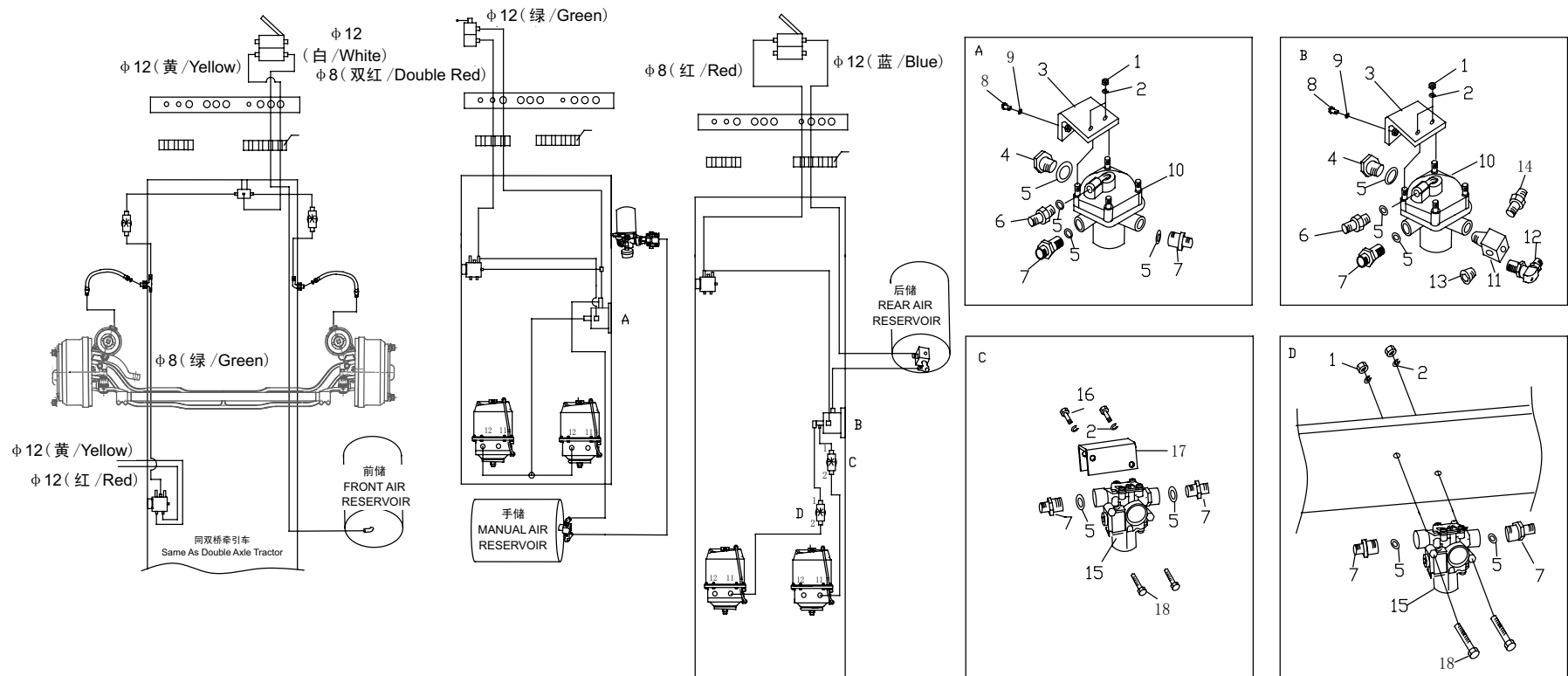
## 制动系统 / BRAKE SYSTEM

35-48

| 序号<br>No. | 件号<br>Part No. | 数量<br>Quantity | 名称<br>Name   | 规格<br>Specification | 适用产品<br>Products Applied | 备注<br>Remark |
|-----------|----------------|----------------|--|---------------------|--------------------------|--------------|
| 29        | 3513AD-050     | 1              | 手储气筒总成<br>Hand Air Reservoir Assembly                          |                     |                          |              |
| 30        | 3513AD-040     | 1              | 放水阀<br>Water Drain Valve                                       |                     |                          |              |
| 31        | 35Q16DQ-13059  | 2              | 手储支架<br>Hand Air Reservoir Bracket                             |                     |                          |              |
| 32        | Q151B0816      | 4              | 六角头螺栓<br>Hexagon Head Bolt                                     |                     |                          |              |
| 33        | 35AD-13002     | 1              | 四通接头体<br>4-Way Connector                                       |                     |                          |              |
| 34        | 35AD-13005     | 1              | 内六角形螺塞<br>Inner Hexagon Plug                                   |                     |                          |              |
| 35        | 35AD-13008     | 1              | 卡套式锥螺纹直角接头体<br>Ferrule-Type Taper Thread Right Angle Connector |                     |                          |              |

4×2 牵引车制动原理图 / 4×2TRACTOR BRAKE

35-M



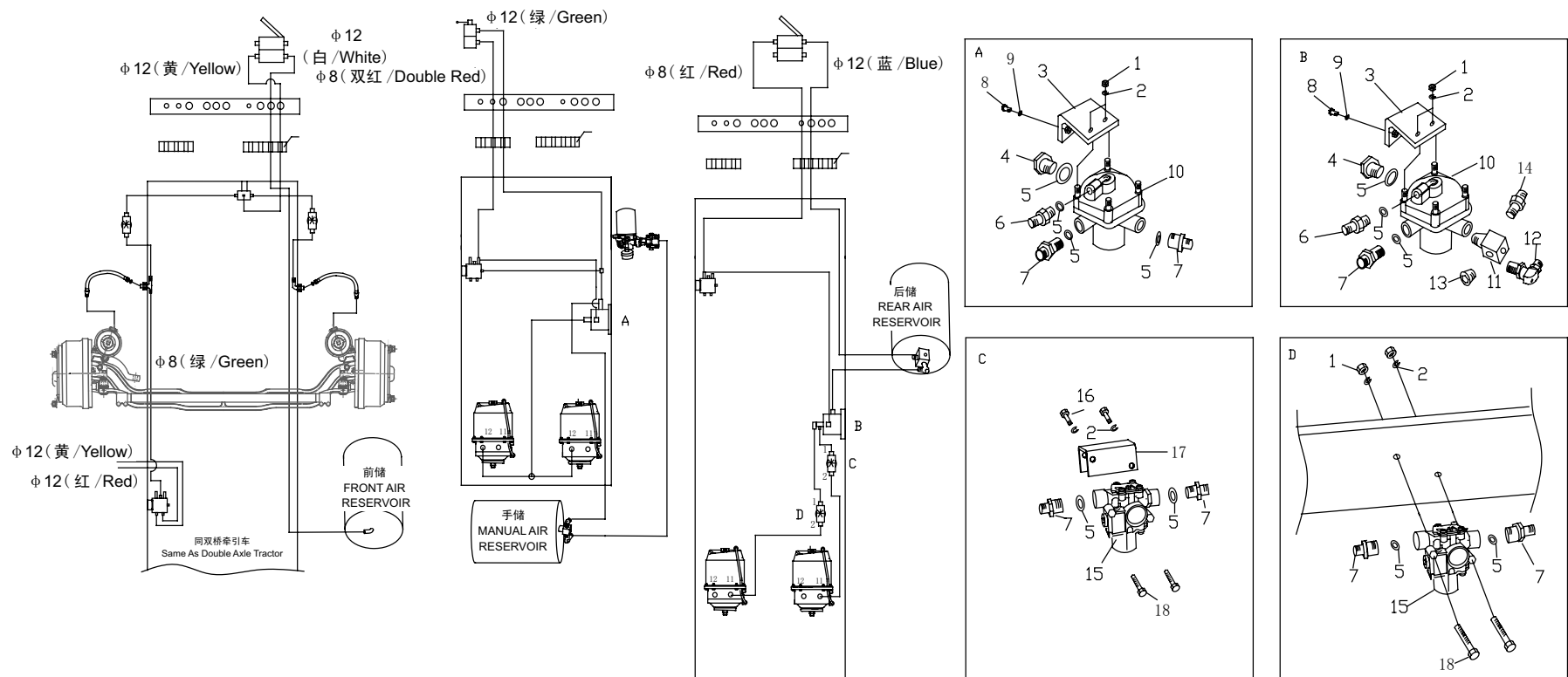
制动系统 / BRAKE SYSTEM

35-50

| 序号<br>No. | 件号<br>Part No. | 数量<br>Quantity | 名称<br>Name  | 规格<br>Specification | 适用产品<br>Products Applied | 备注<br>Remark |
|-----------|----------------|----------------|---|---------------------|--------------------------|--------------|
| 1         | Q340B08        | 4              | I型六角螺母<br>Hexagon Full Nut                                  |                     | 一汽前桥<br>FAW Front Axle   |              |
| 2         | Q40308         | 8              | 弹簧垫圈<br>Spring Washer                                       |                     |                          |              |
| 3         | 35AD-27105     | 2              | 继动阀支架<br>Relay Valve Bracket                                |                     |                          |              |
| 4         | Q617B22        | 2              | 螺塞<br>Plug  |                     |                          |              |
| 5         | Q72322         | 11             | 密封垫圈<br>Seal Washer   |                     |                          |              |
| 6         | 35AD-27101     | 2              | 卡套式直通接头体<br>Ferrule-Type Straight Connector                 |                     |                          |              |
| 7         | 35AD-27104     | 7              | 卡套式直通接头体<br>Ferrule-Type Straight Connector                 |                     |                          |              |
| 8         | Q150B1035      | 4              | 六角头螺栓<br>Hexagon Head Bolt                                  |                     |                          |              |
| 9         | Q40310         | 4              | 弹簧垫圈<br>Spring Washer                                       |                     |                          |              |
| 10        | 3527AD-010     | 2              | 继动阀总成<br>Relay Valve Assembly                               |                     |                          |              |
| 11        | 35AD-27107     | 1              | 四通接头体<br>4-Way Connector                                    |                     |                          |              |
| 12        | 35AD-13004     | 1              | 卡套式直角接头<br>Ferrule-Type Right Angle Connector               |                     |                          |              |
| 13        | 35AD-13005     | 1              | 内六角螺塞<br>Inner Hexagon Plug                                 |                     |                          |              |
| 14        | 35AD-13009     | 1              | 卡套式锥螺纹直通接头体<br>Ferrule-Type Taper Thread Straight Connector |                     |                          |              |

4×2 牵引车制动原理图 / 4×2 TRACTOR BRAKE

35-M



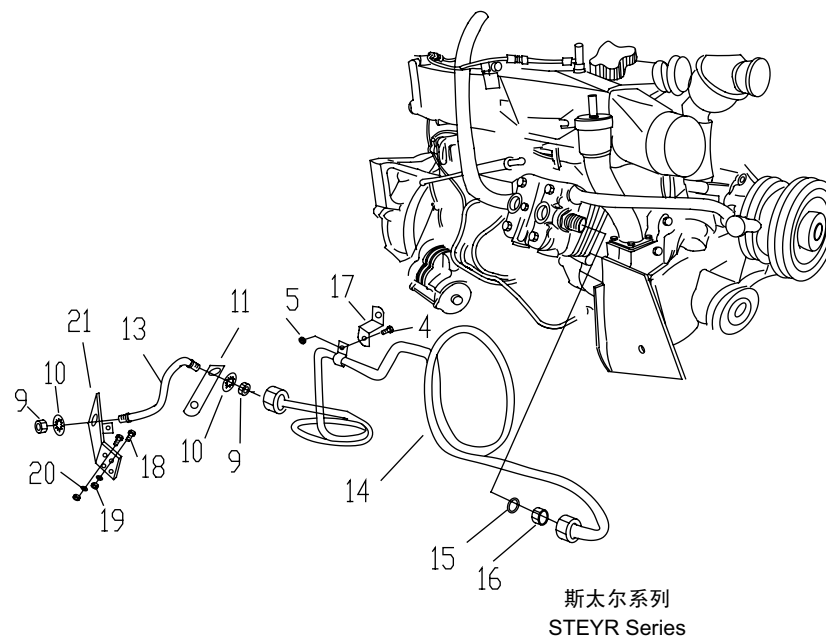
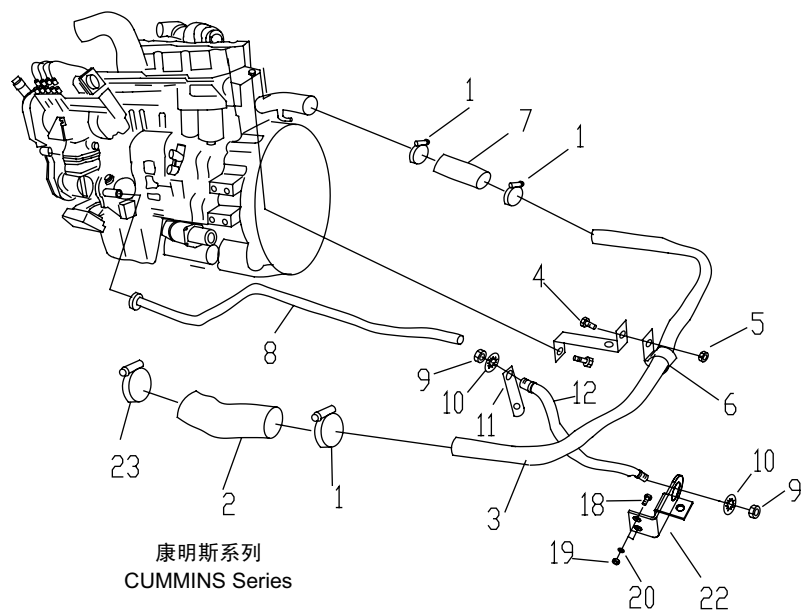
制动系统 / BRAKE SYSTEM

35-52

| 序号<br>No. | 件号<br>Part No. | 数量<br>Quantity | 名称<br>Name                      | 规格<br>Specification | 适用产品<br>Products Applied | 备注<br>Remark |
|-----------|----------------|----------------|---------------------------------|---------------------|--------------------------|--------------|
| 15        | 3550ADQ-010    | 2              | ABS 电磁阀<br>ABS Solenoid Valve   |                     |                          |              |
| 16        | Q150B0835      | 2              | 六角头螺栓<br>Hexagon Head Bolt      |                     |                          |              |
| 17        | 35ADQ-28020    | 1              | ABS 固定支架<br>ABS Holding Bracket |                     |                          |              |
| 18        | Q150B0880      | 4              | 六角头螺栓<br>Hexagon Head Bolt      |                     |                          |              |

# 空压机系统预装图 / AIR COMPRESSOR SYSTEM

## 35-N





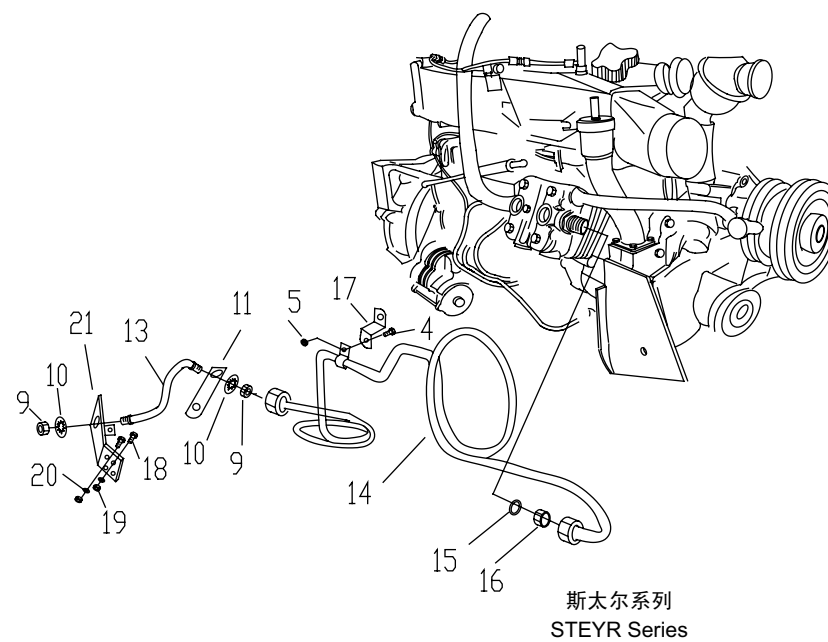
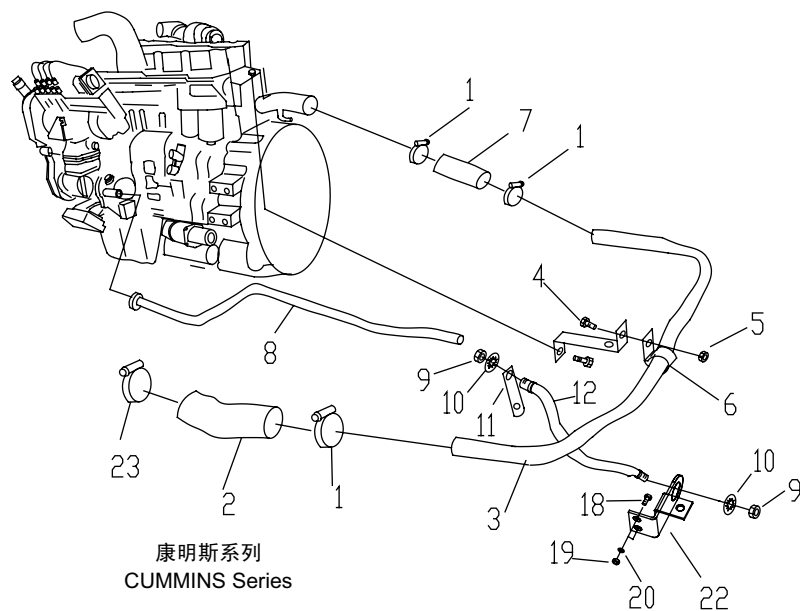
制动系统 / BRAKE SYSTEM

35-54

| 序号<br>No. | 件号<br>Part No. | 数量<br>Quantity | 名称<br>Name   | 规格<br>Specification | 适用产品<br>Products Applied  | 备注<br>Remark |
|-----------|----------------|----------------|--|---------------------|---|--------------|
| 1         | Q67535         | 3              | A 型蜗杆传动式软管环箍<br>A Type Worm Transmission Hose Snap Ring                  |                     |   |              |
| 2         | 35A4D-09103    | 1              | 空压进气软管 B<br>Air Compressor Inlet Hose B                                  |                     |   |              |
| 3         | 5A4D-09102     | 1              | 空压机进气钢管<br>Air Compressor Inlet Steel Tube                               |                     |   |              |
| 4         | Q1840616       | 1              | 六角法兰面螺栓<br>Hexagon Bolt With Flange                                      |                     |   |              |
| 5         | Q32006         | 1              | 六角法兰面螺母<br>Hexagon Nut With Flange                                       |                     |   |              |
| 6         | 37AD-33217     | 1              | 固定管夹<br>Holding Tube Clamp   |                     |   |              |
| 7         | 35A4D-09101    | 1              | 空压进气软管 A<br>Air Compressor Inlet Hose A                                  |                     |   |              |
| 8         | 35A10DZ-09010  | 1              | 空气管总成 - 空压机接空干器 (1)<br>Air Tube Assembly- Air Compressor To Air Drier(1) |                     | 康明斯 C 系列牵引、自卸、货车<br>Tractor, Dump Truck And Truck With<br>CUMMINS Series C Engine |              |
|           | 35A4D-09010    | 1              | 空气管总成 - 空压机接空干器 (1)<br>Air Tube Assembly- Air Compressor To Air Drier(1) |                     | 康明斯 C 系列搅拌车<br>CUMMINS Series C Mixer   |              |
|           | 35A18DQ-09010  | 1              | 空气管总成 - 空压机接空干器 (1)<br>Air Tube Assembly- Air Compressor To Air Drier(1) |                     | 康明斯 L 系列牵引车<br>CUMMINS Series L Tractor   |              |
|           | 35A21D-09010   | 1              | 空气管总成 - 空压机接空干器 (1)<br>Air Tube Assembly- Air Compressor To Air Drier(1) |                     | 康明斯 L345 系列搅拌车<br>CUMMINS Series L345 Mixer                                       |              |
| 9         | Q351B22        | 1              | 六角薄螺母<br>Thin Hexagon Nut  |                     |   |              |
| 10        | 35AD-09033     | 1              | 内锯齿锁紧垫圈<br>Inner Saw Lock Washer   |                     |   |              |
| 11        | 35A4D-09015    | 1              | 接头固定支架<br>Connector Holding Bracket                                      |                     |   |              |

# 空压机系统预装图 / AIR COMPRESSOR SYSTEM

## 35-N



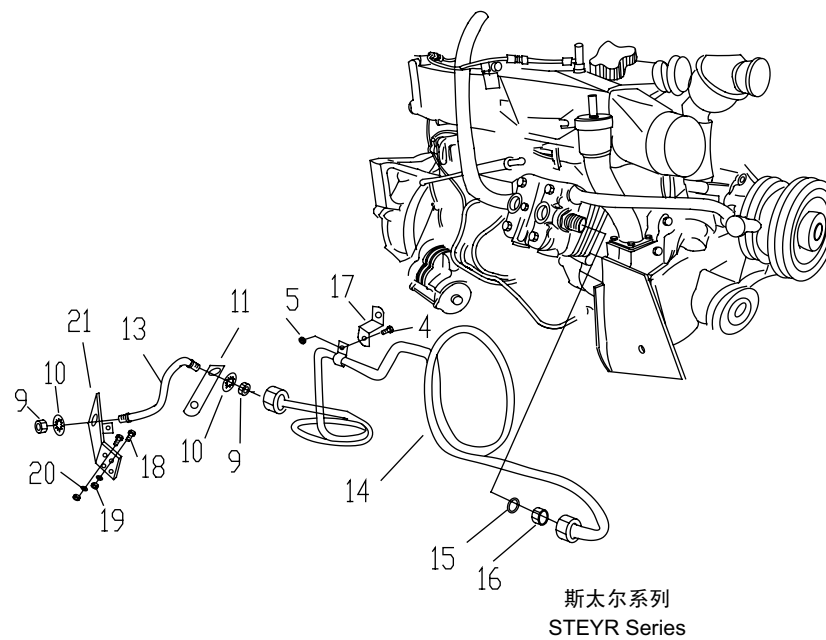
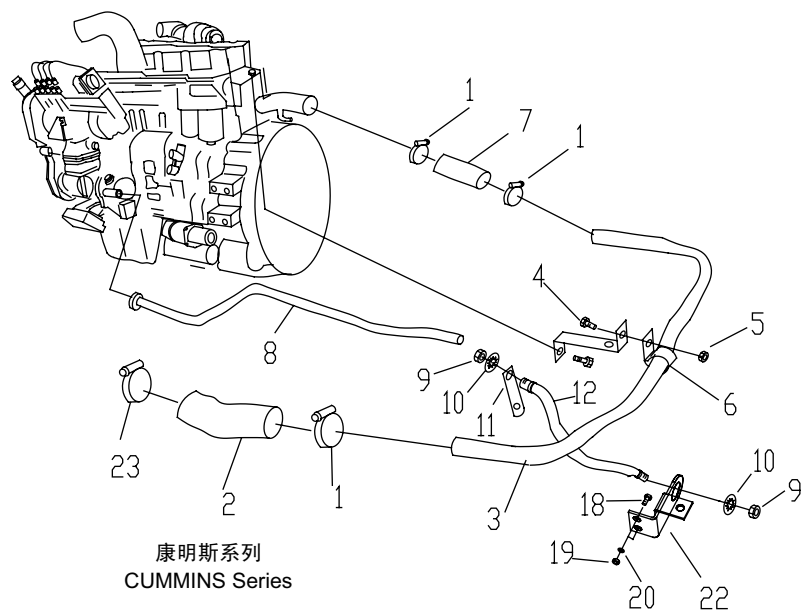
制动系统 / BRAKE SYSTEM

35-56

| 序号<br>No. | 件号<br>Part No. | 数量<br>Quantity | 名称<br>Name   | 规格<br>Specification | 适用产品<br>Products Applied                          | 备注<br>Remark |
|-----------|----------------|----------------|--|---------------------|---|--------------|
| 12        | 35A10DZ-09016  | 1              | 橡胶管总成 - 空压机接空干器 (2)<br>Rubber Tube Assembly-<br>Air Compressor To Air Drier(2) |                     | 康明斯非搅拌车系列<br>CUMMINS Non-Mixer Series             |              |
|           | 35A4D-09016    | 1              | 橡胶管总成 - 空压机接空干器 (2)<br>Rubber Tube Assembly-<br>Air Compressor To Air Drier(2) |                     | 康明斯搅拌车系列<br>CUMMINS Mixer Series                  |              |
| 13        | 35A6DP5-09016  | 1              | 橡胶管总成 - 空压机接空干器 (2)<br>Rubber Tube Assembly-<br>Air Compressor To Air Drier(2) |                     |   |              |
| 14        | 35A6DZ-09010   | 1              | 空气管总成 - 空压机接空干器 (1)<br>Air Tube Assembly- Air Compressor To Air Drier(1)       |                     | 斯太尔双桥、三桥车<br>STEYR 2-Axle Vehicle,3- Axle Vehicle |              |
|           | 35A6DP5-09010  | 1              | 空气管总成 - 空压机接空干器 (1)<br>Air Tube Assembly- Air Compressor To Air Drier(1)       |                     | 斯太尔四桥非搅拌车<br>STEYR 4-Axle Non-Mixer               |              |
|           | 35A5D-09010    | 1              | 空气管总成 - 空压机接空干器 (1)<br>Air Tube Assembly- Air Compressor To Air Drier(1)       |                     | 斯太尔四桥搅拌车<br>STEYR 4-Axle Mixer                    |              |
| 15        | Q72314         | 1              | 密封垫圈<br>Seal Washer  |                     |   |              |
| 16        | 35A6DZ-21001   | 1              | 密封接头<br>Seal Connector   |                     |   |              |
| 17        | 37AD-34047     | 1              | 固定支架<br>Holding Bracket  |                     |   |              |
| 18        | Q150B0830      | 2              | 六角头螺栓<br>Hexagon Head Bolt   |                     |   |              |
| 19        | Q40308         | 2              | 弹簧垫圈<br>Spring Washer  |                     |   |              |
| 20        | Q340B08        | 2              | I型六角螺母<br>Hexagon Full Nut   |                     |   |              |
| 21        | 35AD-09020     | 1              | 空气管支架<br>Air Tube Bracket  |                     |   |              |

# 空压机系统预装图 / AIR COMPRESSOR SYSTEM

## 35-N



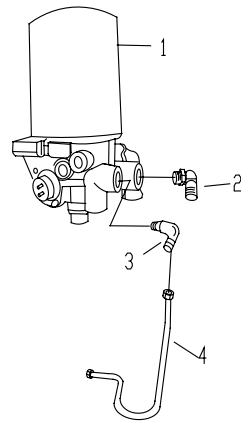
制动系统 / BRAKE SYSTEM

35-58

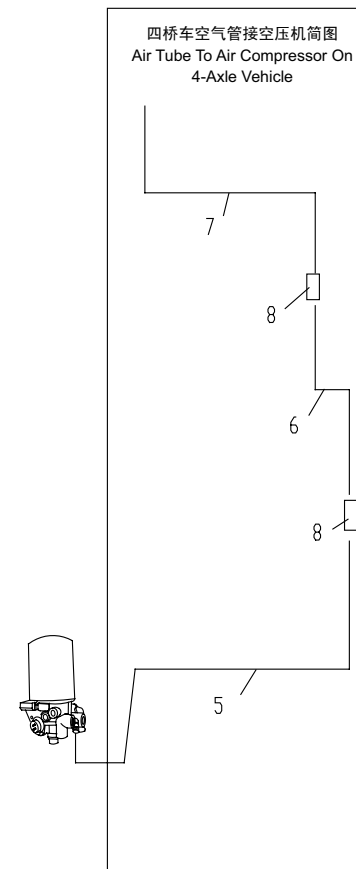
| 序号<br>No. | 件号<br>Part No. | 数量<br>Quantity | 名称<br>Name   | 规格<br>Specification | 适用产品<br>Products Applied | 备注<br>Remark |
|-----------|----------------|----------------|--|---------------------|--------------------------|--------------|
| 22        | 35A3D-09020    | 1              | 空气管支架<br>Air Tube Bracket                              |                     |                          |              |
| 23        | Q67545         | 1              | A型蜗杆传动式软管环箍<br>A Type Worm Transmission Hose Snap Ring |                     |                          |              |

## 气源连接图 / AIR SOURCE

### 35-O



单前桥空气管及干燥器简图  
Air Tube And Dryer On Single Front Axle Vehicle



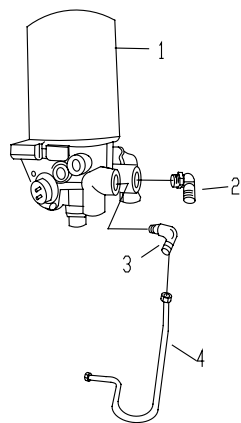
制动系统 / BRAKE SYSTEM

35-60

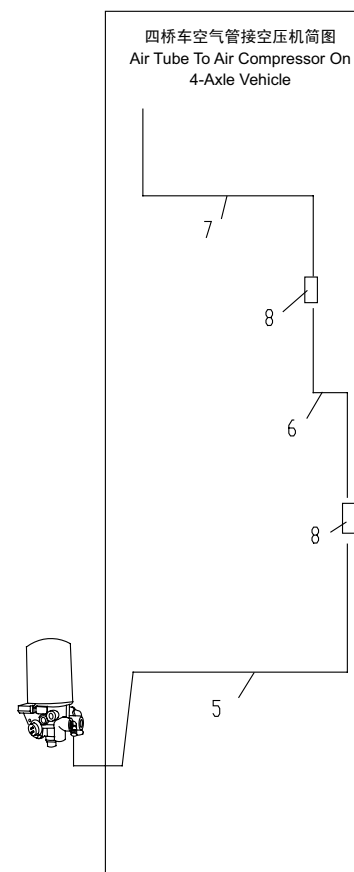
| 序号<br>No. | 件号<br>Part No. | 数量<br>Quantity | 名称<br>Name   | 规格<br>Specification | 适用产品<br>Products Applied                               | 备注<br>Remark |
|-----------|----------------|----------------|--|---------------------|--|--------------|
| 1         | 3511A6DP5-010  | 1              | 空气干燥器<br>Air Drier   |                     |  |              |
| 2         | 35AD-11002     | 1              | 卡套式直角接头体<br>Ferrule-Type Right Angle Connector                           |                     |  |              |
| 3         | 35AD-11001     | 1              | 卡套式直角接头体<br>Ferrule-Type Right Angle Connector                           |                     |  |              |
| 4         | 35AHD-09025-A  | 1              | 空气管 - 空压机接空干器<br>Air Tube- Air Compressor To Air Drier                   |                     | 三菱、卡特匹勒底盘<br>MITSUBISHI,CATER Chassis                  |              |
|           | 35AH2DZ-09025  | 1              | 空气管 - 空压机接空干器<br>Air Tube- Air Compressor To Air Drier                   |                     | 斯太尔底盘<br>STEYR Chassis                                 |              |
|           | 35AH23DZ-09025 | 1              | 空气管 - 空压机接空干器<br>Air Tube- Air Compressor To Air Drier                   |                     | 康明斯底盘<br>CUMMINS Chassis                               |              |
|           | 35AH23DQ-09025 | 1              | 空气管 - 空压机接空干器<br>Air Tube- Air Compressor To Air Drier                   |                     | 康明斯牵引车<br>CUMMINS Tractor                              |              |
|           | 35AHDQ-09025   | 1              | 空气管 - 空压机接空干器<br>Air Tube- Air Compressor To Air Drier                   |                     | 斯太尔牵引车<br>STEYR Tractor                                |              |
| 5         | 35AH6DP5-09025 | 1              | 空气管总成 - 空压机接空干器 (五)<br>Air Tube Assembly- Air Compressor To Air Drier(5) |                     | 轴距 L=4000/4605<br>Wheel Base L=4000/4605               |              |
|           | 35AH4D4-09025  | 1              | 空气管总成 - 空压机接空干器 (五)<br>Air Tube Assembly- Air Compressor To Air Drier(5) |                     | 轴距 L=3370<br>Wheel Base L=3370                         |              |
| 6         | 35A4D4-09021   | 1              | 空气管总成 - 空压机接空干器 (二)<br>Air Tube Assembly- Air Compressor To Air Drier(2) |                     | 轴距 L=4000/3370<br>Wheel Base L=4000/3370               |              |
|           | 35A6DP5-09021  | 1              | 空气管总成 - 空压机接空干器 (二)<br>Air Tube Assembly- Air Compressor To Air Drier(2) |                     | 轴距 L=4605<br>Wheel Base L=4605                         |              |
| 7         | 35A6DP5-09018  | 1              | 空气管总成 - 空压机接空干器 (一)<br>Air Tube Assembly- Air Compressor To Air Drier(1) |                     | 斯太尔、日野、三菱、卡特发动机<br>STEYR, HINO,MITSUBISHI,CATER Engine |              |
|           | 35A9DP5-09018  | 1              | 空气管总成 - 空压机接空干器 (一)<br>Air Tube Assembly- Air Compressor To Air Drier(1) |                     | 康明斯、五十铃发动机<br>CUMMINS, ISUZU Engine                    |              |

## 气源连接图 / AIR SOURCE

### 35-O



单前桥空气管及干燥器简图  
Air Tube And Dryer On Single Front Axle Vehicle





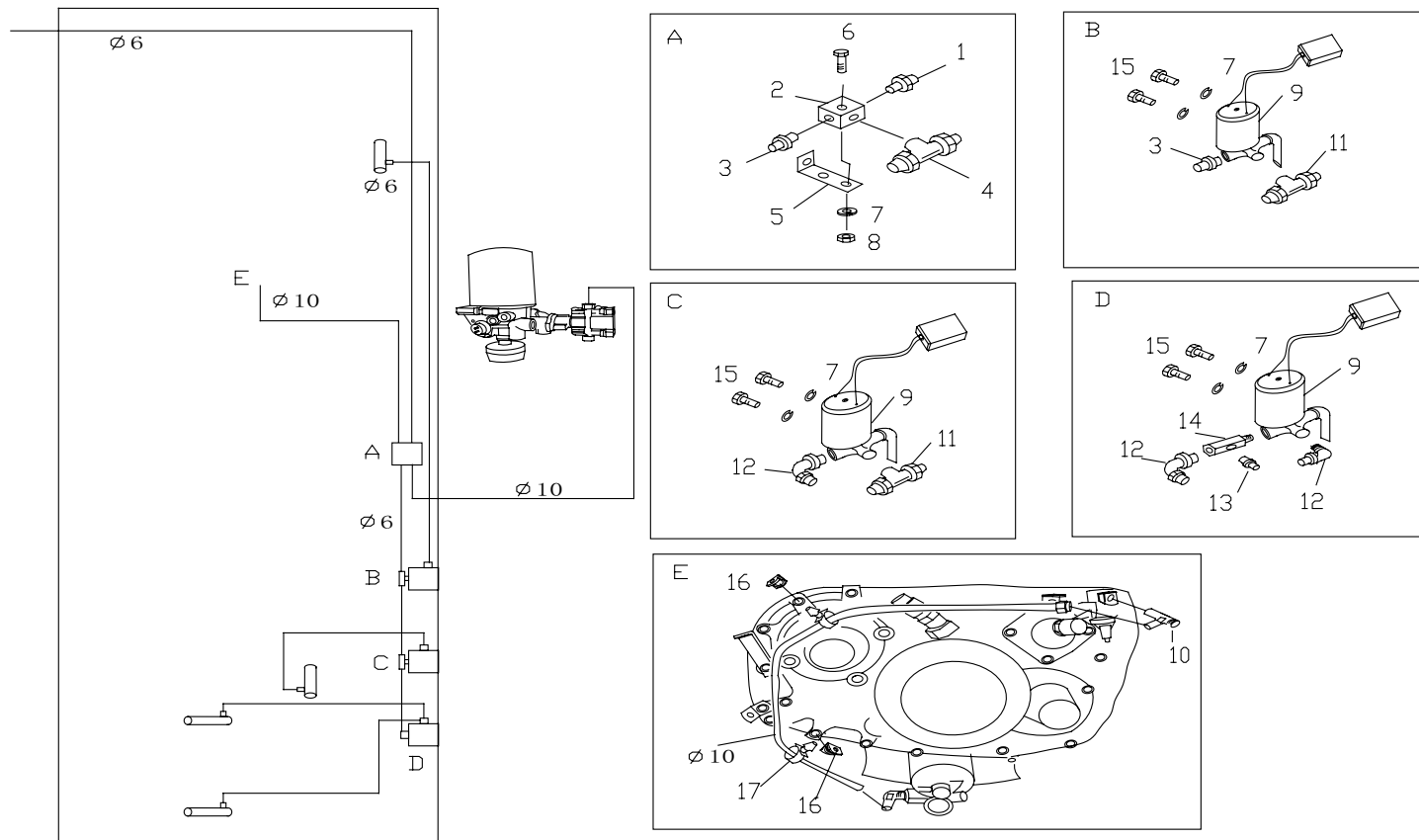
制动系统 / BRAKE SYSTEM

35-62

| 序号<br>No. | 件号<br>Part No. | 数量<br>Quantity | 名称<br>Name                                       | 规格<br>Specification | 适用产品<br>Products Applied | 备注<br>Remark |
|-----------|----------------|----------------|--|---------------------|--------------------------|--------------|
| 8         | 35A6DP5-11015  | 2              | 扩口式直通管接头体<br>Flared Type Straight Tube Connector |                     |                          |              |

# 辅助用气原理图 / AIDED AIR THEORY

35-P



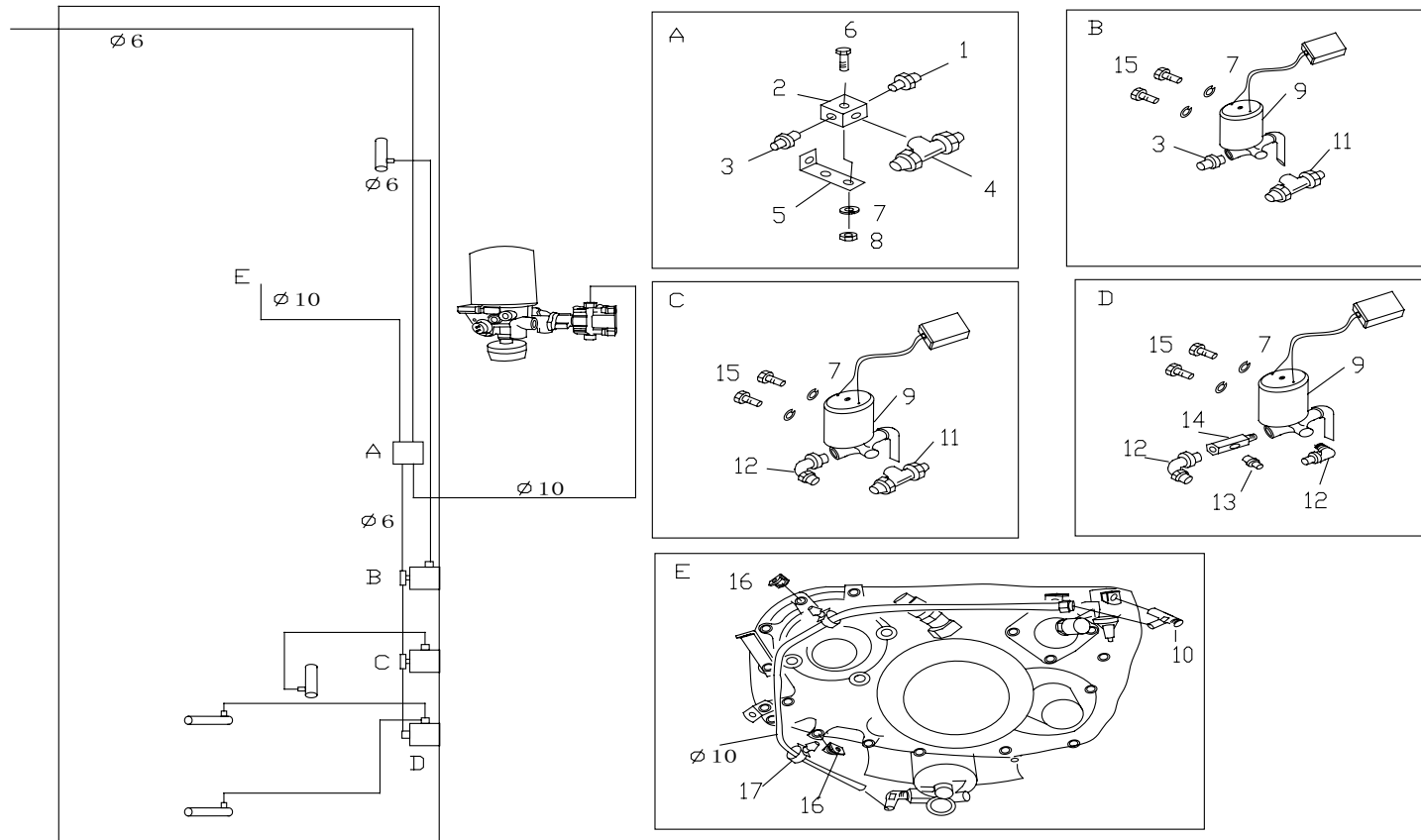
制动系统 / BRAKE SYSTEM

35-64

| 序号<br>No. | 件号<br>Part No. | 数量<br>Quantity | 名称<br>Name   | 规格<br>Specification | 适用产品<br>Products Applied | 备注<br>Remark |
|-----------|----------------|----------------|--|---------------------|--------------------------|--------------|
| 1         | 35AD-06047     | 1              | 卡套式锥螺纹直通接头体<br>Ferrule-Type Taper Thread Straight Connector    |                     |                          |              |
| 2         | 35AD-06041     | 1              | 三通接头体<br>3-Way Connector Body                                  |                     |                          |              |
| 3         | 35AD-49019     | 2              | 卡套式锥螺纹直通接头体<br>Ferrule-Type Taper Thread Straight Connector    |                     |                          |              |
| 4         | 35AD-06046     | 1              | 卡套式锥螺纹三通接头体<br>Ferrule-Type Taper Thread 3-Way Connector       |                     |                          |              |
| 5         | 35AD-06042     | 1              | 三通接头固定支架<br>3-Way Connector Holding Bracket                    |                     |                          |              |
| 6         | Q150B0840      | 1              | 六角头螺栓<br>Hexagon Head Bolt                                     |                     |                          |              |
| 7         | Q40308         | 7              | 弹簧垫圈<br>Spring Washer  |                     |                          |              |
| 8         | Q340B08        | 1              | I型六角螺母<br>Hexagon Full Nut                                     |                     |                          |              |
| 9         | 35AD-49010     | 3              | 电磁阀<br>Solenoid Valve  |                     |                          |              |
| 10        | 35A4D-06084    | 1              | 卡套式锥螺纹三通接头体<br>Ferrule-Type Taper Thread 3-Way Connector       |                     |                          |              |
| 11        | 35AD-06044     | 2              | 卡套式锥螺纹三通接头体<br>Ferrule-Type Taper Thread 3-Way Connector       |                     |                          |              |
| 12        | 35AD-49012     | 3              | 卡套式锥螺纹直角接头体<br>Ferrule-Type Taper Thread Right Angle Connector |                     |                          |              |
| 13        | 35AD-49018     | 1              | 卡套式锥螺纹直通接头体<br>Ferrule-Type Taper Thread Straight Connector    |                     |                          |              |
| 14        | 35AD-49013     | 1              | 六角三通接头体<br>Hexagon 3-Way Connector                             |                     |                          |              |

# 辅助用气原理图 / AIDED AIR THEORY

35-P



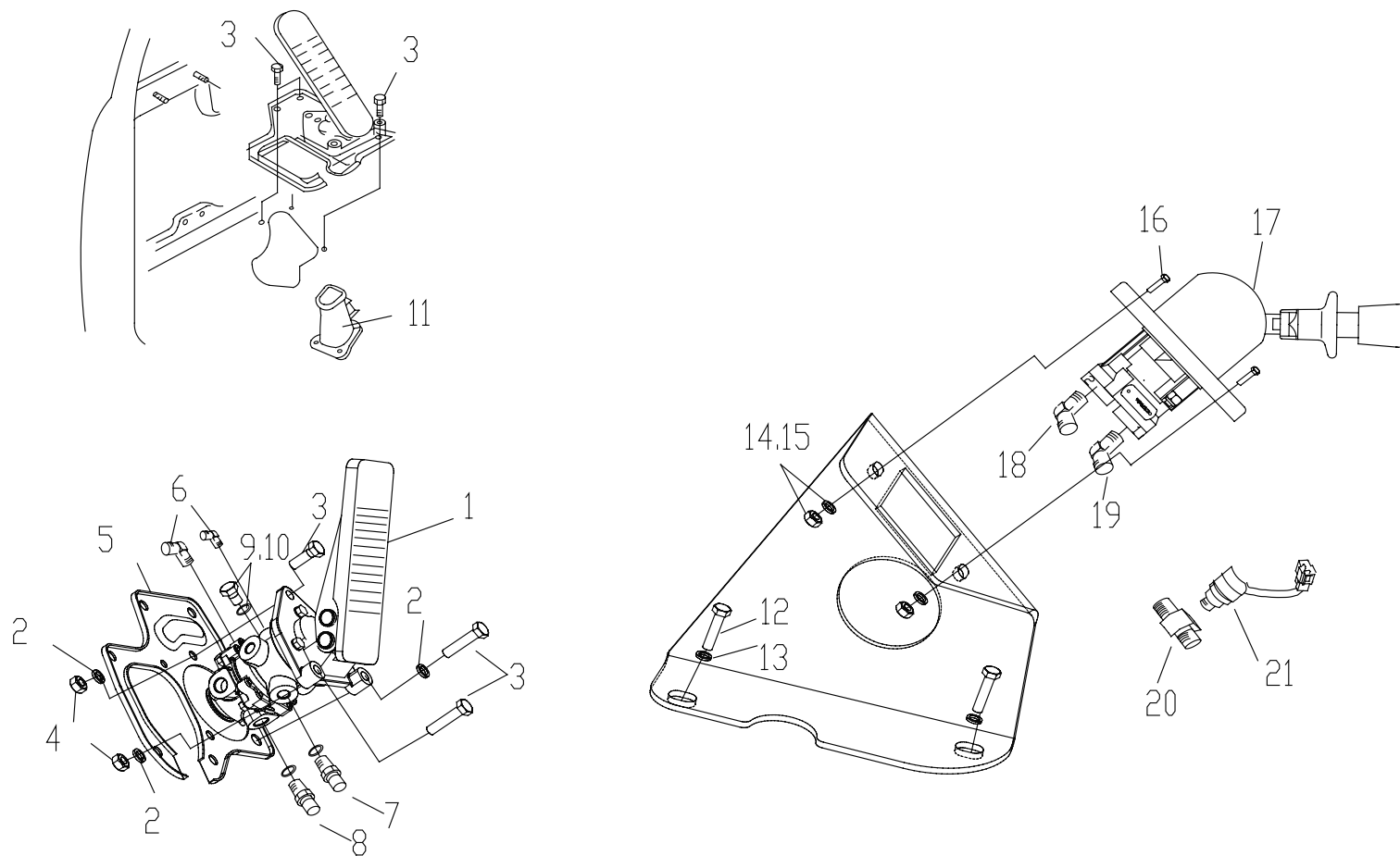
制动系统 / BRAKE SYSTEM

35-66

| 序号<br>No. | 件号<br>Part No. | 数量<br>Quantity | 名称<br>Name                 | 规格<br>Specification | 适用产品<br>Products Applied | 备注<br>Remark |
|-----------|----------------|----------------|----------------------------|---------------------|--------------------------|--------------|
| 15        | Q150B0830      | 6              | 六角头螺栓<br>Hexagon Head Bolt |                     |                          |              |
| 16        | 37AD-34033     | 2              | 固定支架<br>Holding Bracket    |                     |                          |              |
| 17        | 37AD-33002     | 2              | 塑料线夹<br>Plastic Wire Clip  |                     |                          |              |

## 右驾驾驶室部分制动系统装置图 / BRAKE SYSTEM IN CAB OF RHD

35-Q



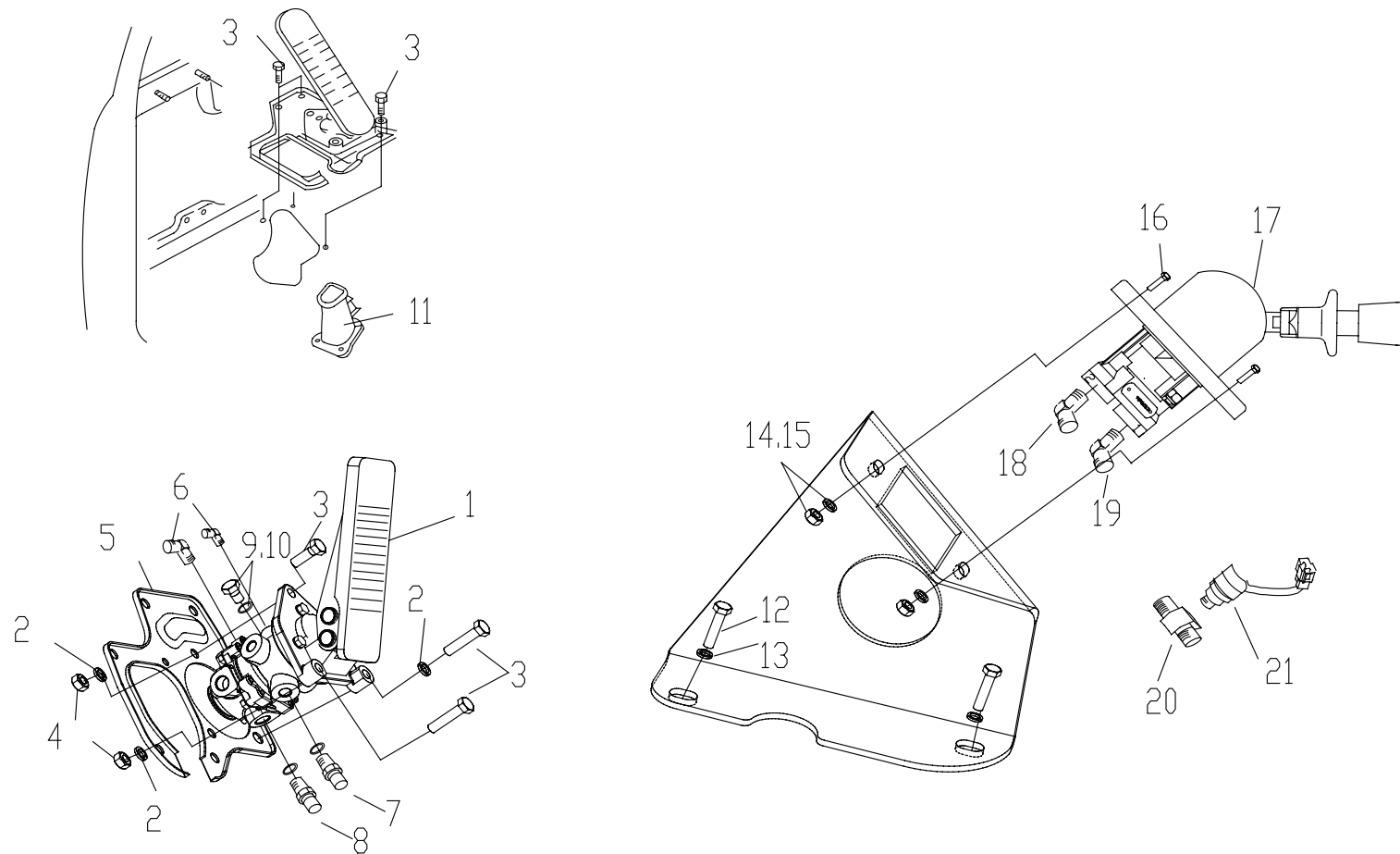
制动系统 / BRAKE SYSTEM

35-68

| 序号<br>No. | 件号<br>Part No. | 数量<br>Quantity | 名称<br>Name                                     | 规格<br>Specification | 适用产品<br>Products Applied | 备注<br>Remark |
|-----------|----------------|----------------|--|---------------------|--------------------------|--------------|
| 1         | 3514ADY-010    | 1              | 脚制动阀总成<br>Foot Brake Valve Assembly            |                     |                          |              |
| 2         | Q40308         | 4              | 弹簧垫圈<br>Spring Washer                          |                     |                          |              |
| 3         | Q150B0835      | 4              | 六角头螺栓<br>Hexagon Head Bolt                     |                     |                          |              |
| 4         | Q340B08        | 2              | I型六角螺母<br>Hexagon Full Nut                     |                     |                          |              |
| 5         | 35ADY-14015    | 1              | 固定支架<br>Fixed Bracket                          |                     |                          |              |
| 6         | 35ADQ-22014    | 2              | 卡套式直角接头体<br>Ferrule-Type Right Angle Connector |                     |                          |              |
| 7         | 35ADQ-22016    | 1              | 卡套式直通接头体<br>Ferrule-Type Right Angle Connector |                     |                          |              |
| 8         | Q80412         | 1              | 卡套式直通接头体<br>Ferrule-Type Right Angle Connector |                     |                          |              |
| 9         | Q617B16        | 4              | 六角头螺塞<br>Hexagon Head Plug                     |                     |                          |              |
| 10        | Q72316         | 6              | 密封垫圈<br>Seal Washer                            |                     |                          |              |
| 11        | 53A-01357      | 1              | 转向柱固定座 - 地板<br>Steering Column Holder-Floor    |                     |                          |              |
| 12        | Q150B1025      | 2              | 六角头螺栓<br>Hexagon Head Bolt                     |                     |                          |              |
| 13        | Q40310         | 2              | 弹簧垫圈<br>Spring Washer                          |                     |                          |              |
| 14        | Q340B06        | 2              | I型六角螺母<br>Hexagon Full Nut                     |                     |                          |              |

## 右驾驾驶室部分制动系统装置图 / BRAKE SYSTEM IN CAB OF RHD

35-Q





制动系统 / BRAKE SYSTEM

35-70

| 序号<br>No. | 件号<br>Part No. | 数量<br>Quantity | 名称<br>Name  | 规格<br>Specification | 适用产品<br>Products Applied | 备注<br>Remark |
|-----------|----------------|----------------|---|---------------------|--------------------------|--------------|
| 15        | Q40306         | 2              | 弹簧垫圈<br>Spring Washer                             |                     |                          |              |
| 16        | Q150B0635      | 2              | 六角头螺栓<br>Hexagon Head Bolt                        |                     |                          |              |
| 17        | 3517ADY-010    | 1              | 手制动阀总成<br>Hand Brake Valve Assembly               |                     |                          |              |
| 18        | 35AHD-27101    | 1              | 卡套式直角接头体<br>Ferrule-Type Right Angle Connector    |                     |                          |              |
| 19        | 35ADQ-22014    | 1              | 卡套式直角接头体<br>Ferrule-Type Right Angle Connector    |                     |                          |              |
| 20        | 35AD-06203     | 1              | 卡套式隔壁三通接头体<br>Ferrule-Type 3-Way Connector        |                     |                          |              |
| 21        | 3720AD-050     | 1              | 驻车制动灯检测开关<br>Parking Brake Light Detection Switch |                     |                          |              |



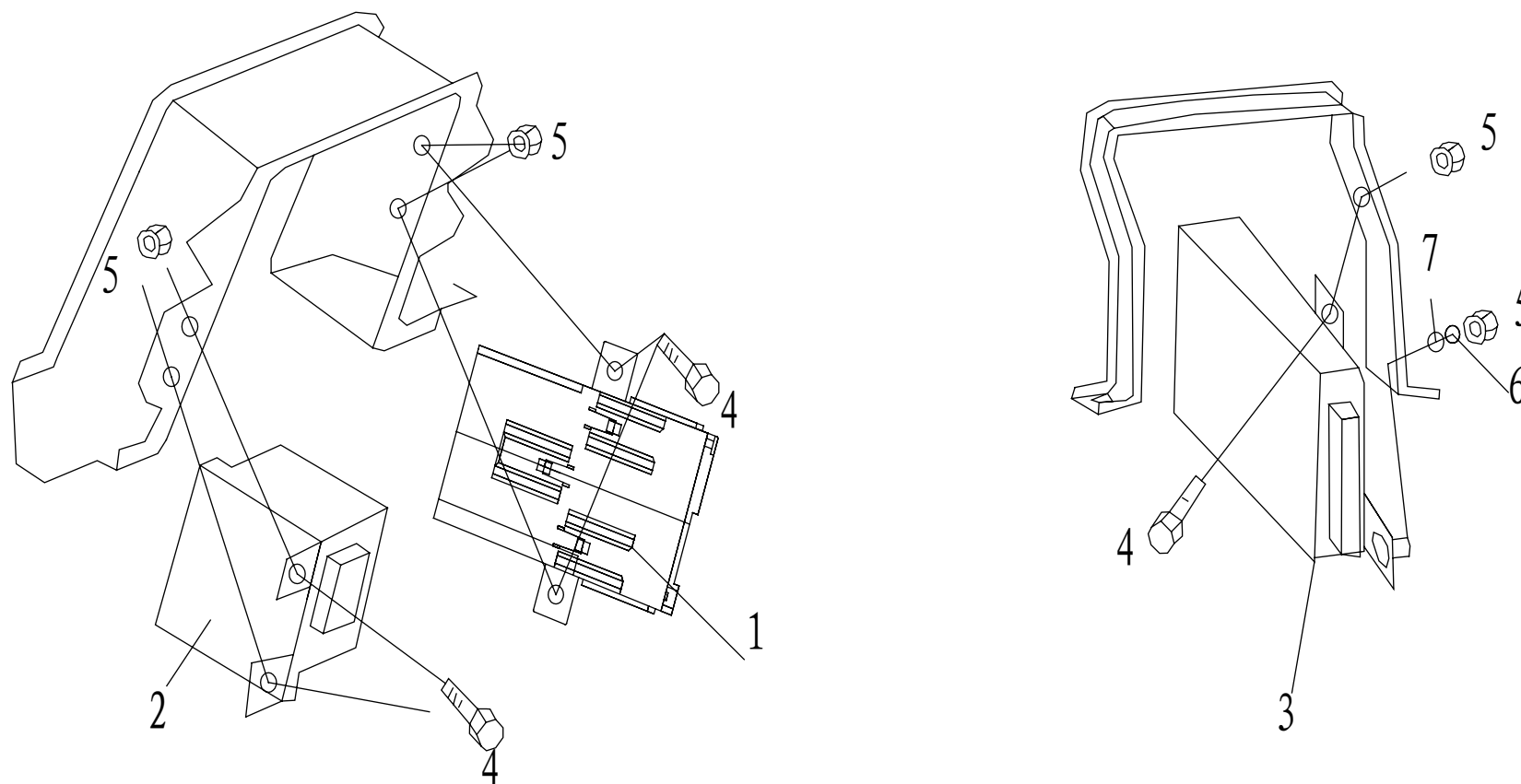
36

**电子装置系统**

***ELECTRIC DEVICE  
SYSTEM***

车速, 闪光, 多功能控制器装置图  
VEHICLE SPEED, FLASHER, MULTI-CONTROLLER

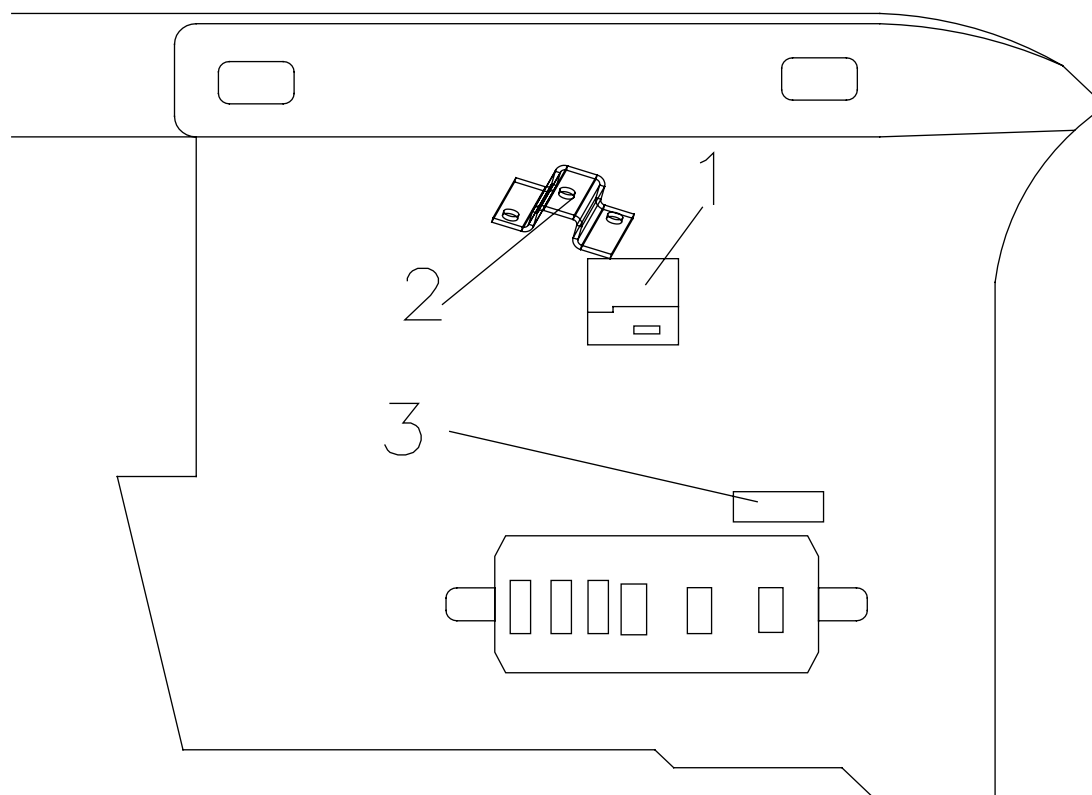
36-A



| 序号<br>No. | 件号<br>Part No. | 数量<br>Quantity | 名称<br>Name   | 规格<br>Specification | 适用产品<br>Products Applied   | 备注<br>Remark |
|-----------|----------------|----------------|--|---------------------|--|--------------|
| 1         | 36A4D-01030    | 1              | 车速表示器<br>Vehicle Speed Indicator   |                     | 康明斯, 斯太尔发动机系列, 后桥速比 4.875<br>或 4.8<br>CUMMINS,STEYR Engine Series, Rear Axle<br>Speed Ratio 4.875 Or 4.8   |              |
|           | 36A2D-01040    | 1              | 车速表示器<br>Vehicle Speed Indicator   |                     | 康明斯, 斯太尔发动机系列, 后桥速比 5.73<br>或 5.833<br>CUMMINS,STEYR Engine Series, Rear Axle<br>Speed Ratio 5.73 Or 5.833 |              |
|           | 36A4D-01050    | 1              | 车速表示器<br>Vehicle Speed Indicator   |                     | 康明斯, 斯太尔发动机系列, 后桥速比 5.571<br>CUMMINS,STEYR Engine Series, Rear Axle<br>Speed Ratio 5.571                   |              |
| 2         | 36ADQ-40020    | 1              | 闪光继电器<br>Flasher Relay   |                     | 牵引车<br>Tractor   |              |
|           | 36AD-40020     | 1              | 闪光继电器<br>Flasher Relay   |                     | 搅拌车, 货车, 自卸<br>Mixer, Truck, Dump Truck  |              |
| 3         | 36AD-03010     | 1              | 多功能计时控制器<br>Multi Time Controller  |                     |  |              |
| 4         | Q1460616       | 5              | 六角头螺栓、弹簧垫圈和平垫圈组合件<br>Hexagon Combination Bolt W/Spring And Plate<br>Washer |                     |  |              |
| 5         | Q340B06        | 6              | I型六角螺母<br>Hexagon Full Nut   |                     |  |              |
| 6         | Q40106         | 1              | 平垫圈<br>Plate Washer  |                     |  |              |
| 7         | Q40306         | 1              | 弹簧垫圈<br>Spring Washer  |                     |  |              |

## 脉冲分配器装置图 / PULSE DISTRIBUTOR

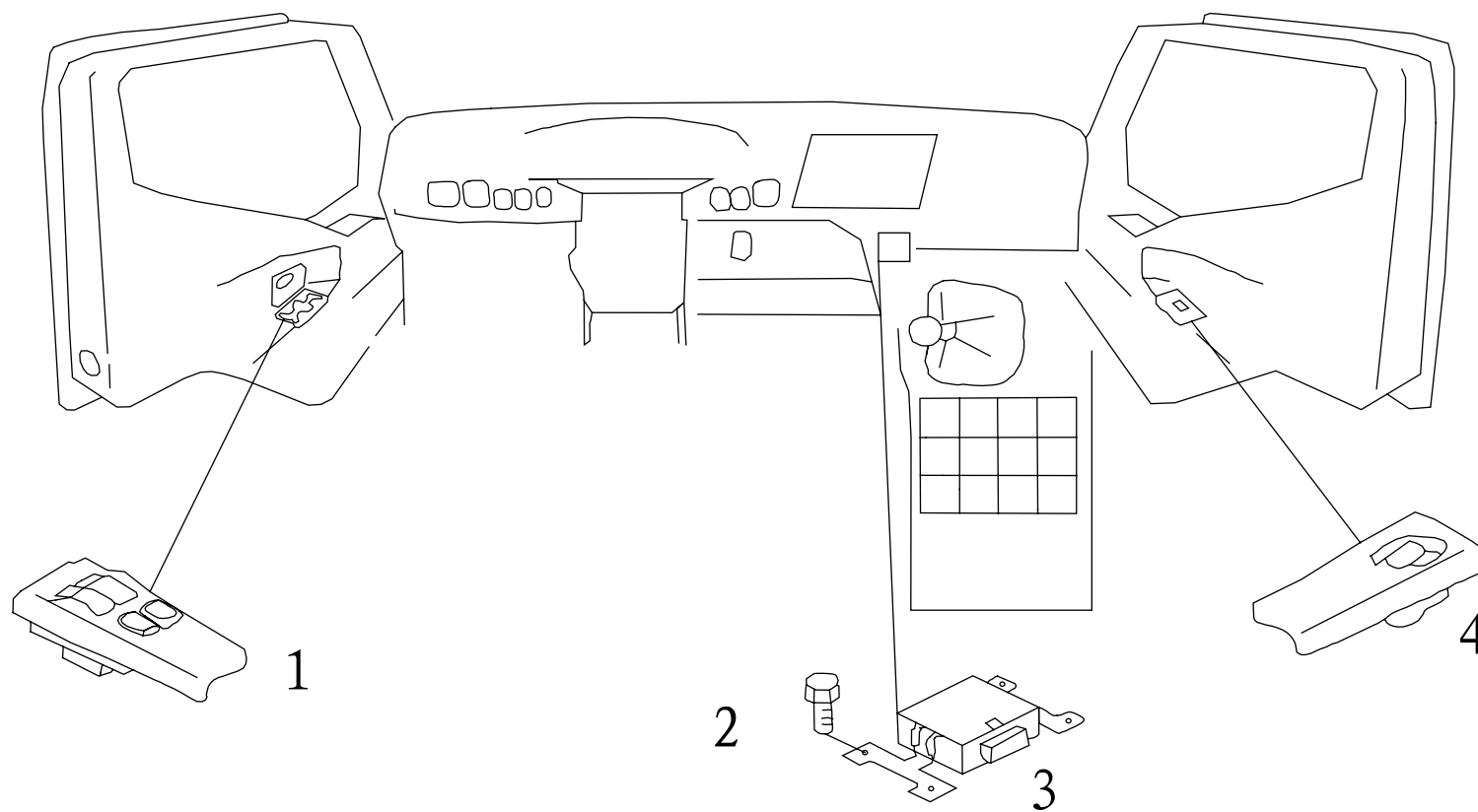
36-B



| 序号<br>No. | 件号<br>Part No.        | 数量<br>Quantity | 名称<br>Name                                      | 规格<br>Specification | 适用产品<br>Products Applied             | 备注<br>Remark |
|-----------|-----------------------|----------------|---|---------------------|--------------------------------------|--------------|
| 1         | 36AD-02010            | 1              | 脉冲分配器<br>Pulse Distributor                      |                     | 三菱 五十铃发动机<br>MITSUBISHI,ISUZU Engine |              |
| 2         | 36AD-02011            | 1              | 脉冲分配器安装支架<br>Pulse Distributor Mounting Bracket |                     | 三菱 五十铃发动机<br>MITSUBISHI,ISUZU Engine |              |
| 3         | MC854770-<br>MC854777 | 8              | 燃油喷射控制电阻<br>Fuel Injection Control Resistance   |                     | 三菱发动机<br>MITSUBISHI Engine           |              |

## 电动门窗控制装置图 / POWER WINDOW CONTROLLER

36-C

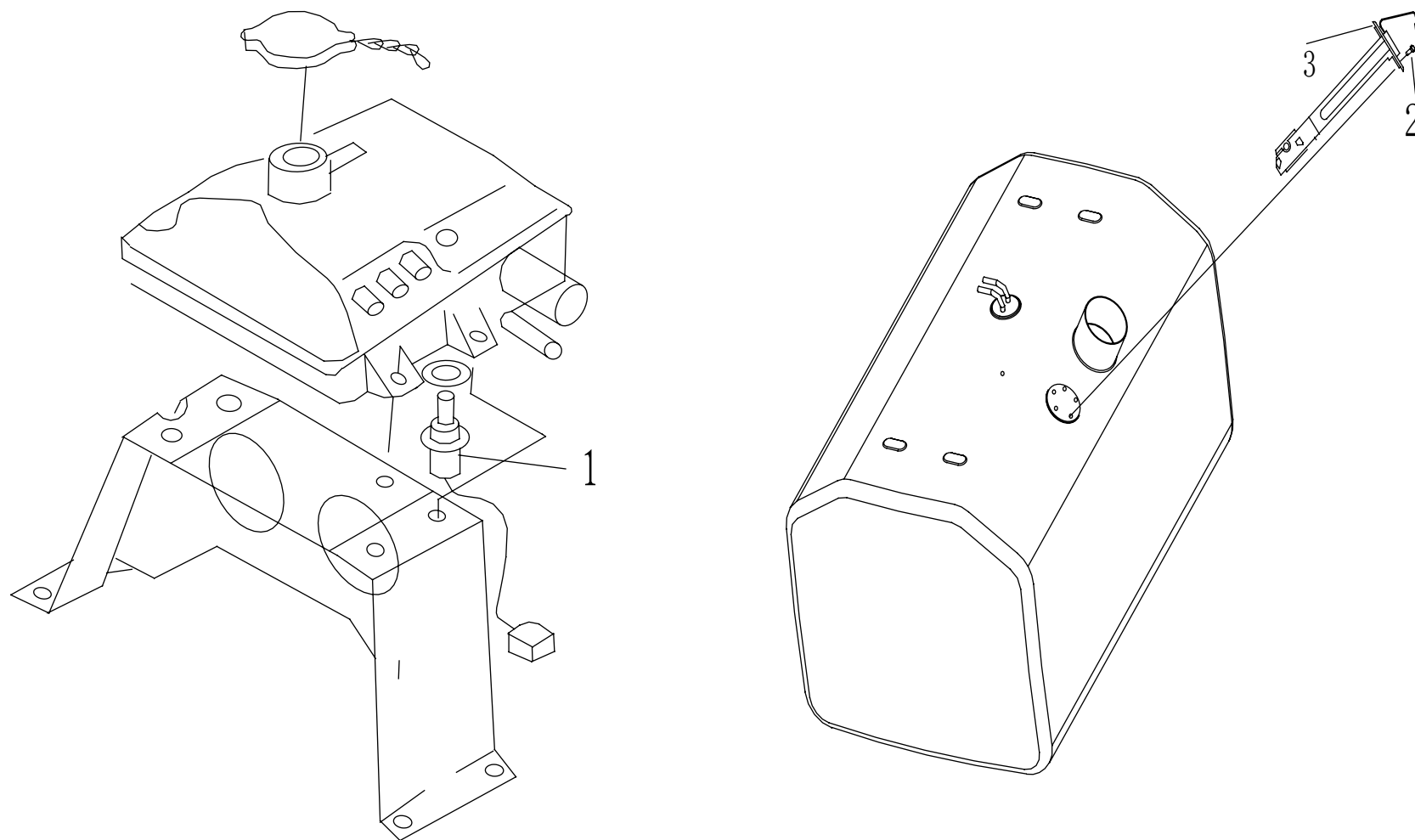




| 序号<br>No. | 件号<br>Part No. | 数量<br>Quantity | 名称<br>Name  | 规格<br>Specification | 适用产品<br>Products Applied | 备注<br>Remark |
|-----------|----------------|----------------|---|---------------------|--------------------------|--------------|
| 1         | 37AD-46030     | 1              | 电动车窗开关总成（左）<br>Power Window Switch Assembly (LH)                          |                     |                          |              |
| 2         | Q1460616       | 4              | 六角头螺栓弹簧垫圈和平垫圈组合件<br>Hexagon Combination Bolt W/Spring And Plate<br>Washer |                     |                          |              |
| 3         | 36AD-04010     | 1              | 车窗门锁控制器总成<br>Window Lock Controller Assembly                              |                     |                          |              |
| 4         | 37AD-46040     | 1              | 电动车窗开关总成（右）<br>Power Window Switch Assembly (RH)                          |                     |                          |              |

## 水位传感器, 燃油液位传感器 / WATER LEVEL SENSOR, FUEL LEVEL SENSOR

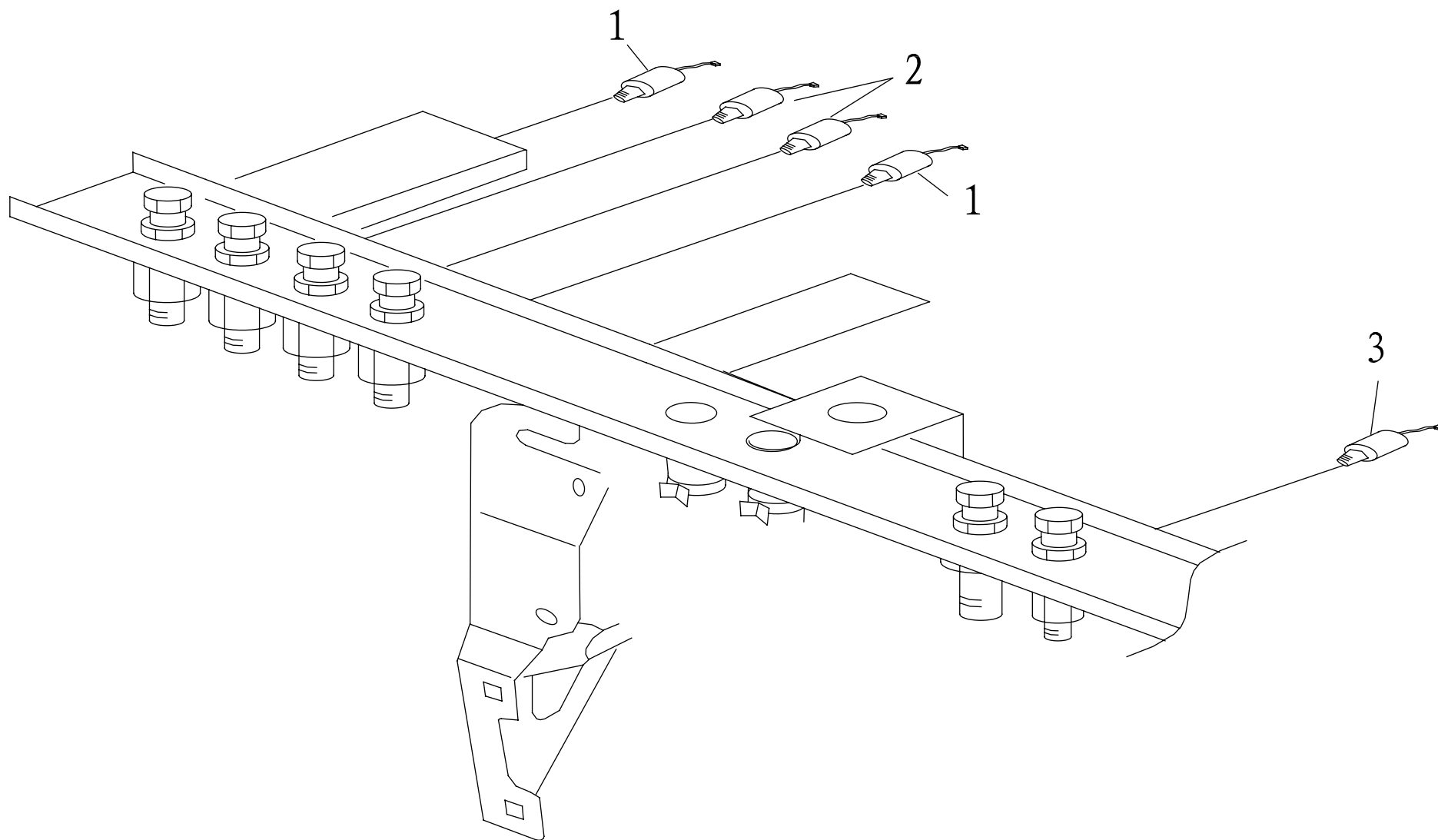
36-D



| 序号<br>No. | 件号<br>Part No. | 数量<br>Quantity | 名称<br>Name                               | 规格<br>Specification   | 适用产品<br>Products Applied   | 备注<br>Remark                             |
|-----------|----------------|----------------|--|-----------------------|--|--|
| 1         | 36AD-10020     | 1              | 水位传感器<br>Water Level Sensor              |                       |  |  |
| 2         | Q2140508       | 5              | 十字槽盘头螺钉<br>Cross Recessed Pan Head Screw |                       |  |  |
| 3         | 36AD-10015     | 1              | 燃油液位传感器<br>Fuel Level Sensor             |                       | 350L 油箱<br>350L Tank   |  |
|           | 36AD-10010     | 1              | 燃油液位传感器<br>Fuel Level Sensor             |                       | 200L 油箱<br>200L Tank   |  |
|           | 36AD-10510     | 1              | 燃油液位传感器<br>Fuel Level Sensor             |                       | 奔驰油箱<br>BENZ Tank  |  |
|           | 36AD-010515    | 1              | 燃油液位传感器<br>Fuel Level Sensor             | 高 560mm<br>560mm High | 奔驰油箱, 进油管内径 $\varnothing$ 12<br>BENZ Tank,<br>Oil Inlet Tube Inner Diameter $\varnothing$ 12 | 欧III<br>Euro III                         |
|           | 36AD-10520     | 1              | 燃油液位传感器<br>Fuel Level Sensor             | 高 700mm<br>700mm High | 奔驰油箱, 进油管内径 $\varnothing$ 8<br>BENZ Tank, Oil Inlet Tube Inner Diameter $\varnothing$ 8      |  |
|           | 36AD-10525     | 1              | 燃油液位传感器<br>Fuel Level Sensor             | 高 700mm<br>700mm High | 奔驰油箱, 进油管内径 $\varnothing$ 12<br>BENZ Tank,<br>Oil Inlet Tube Inner Diameter $\varnothing$ 12 | 欧III<br>Euro III                         |
|           | 36AD-10530     | 1              | 燃油液位传感器<br>Fuel Level Sensor             | 高 560mm<br>560mm High | 奔驰油箱, 进油管内径 $\varnothing$ 12<br>BENZ Tank,<br>Oil Inlet Tube Inner Diameter $\varnothing$ 12 | 潍柴欧III专用<br>Only For WEICHAI<br>Euro III |

## 气压传感器 / AIR PRESSURE SENSOR

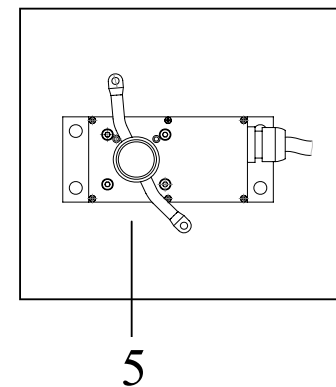
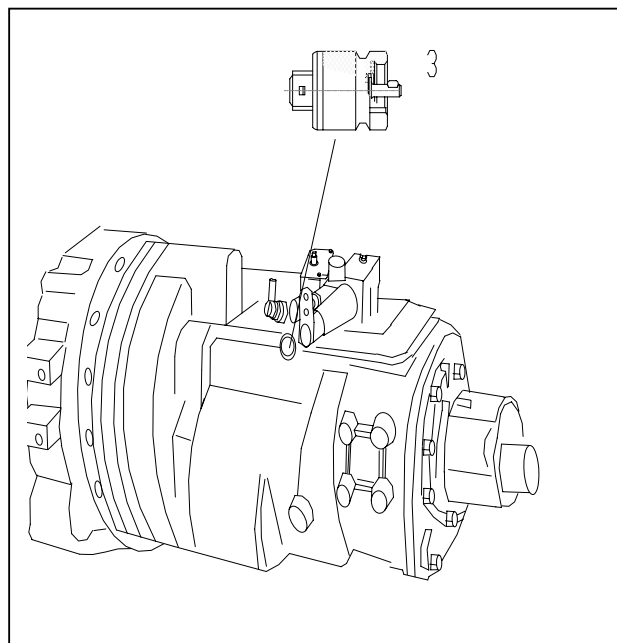
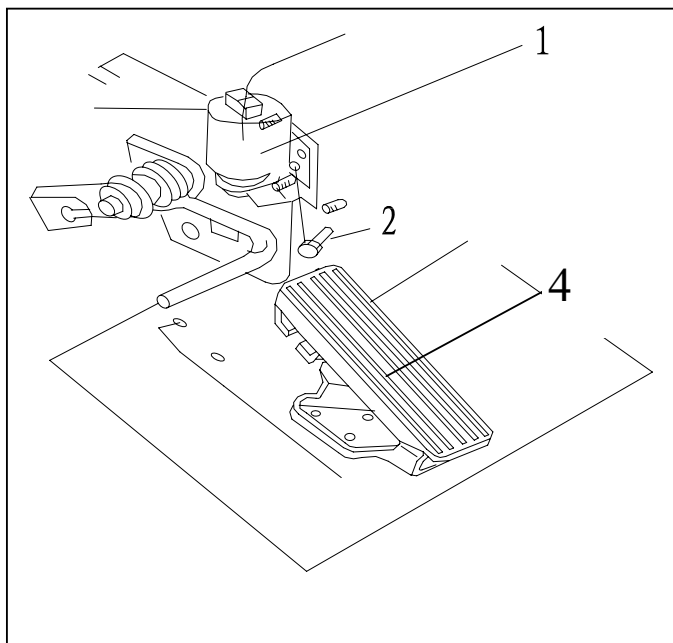
36-E



| 序号<br>No. | 件号<br>Part No. | 数量<br>Quantity | 名称<br>Name   | 规格<br>Specification | 适用产品<br>Products Applied            | 备注<br>Remark |
|-----------|----------------|----------------|--|---------------------|-------------------------------------|--------------|
| 1         | 3720AD-010     | 2              | 行车制动灯开关<br>Running Brake Light Switch              |                     |                                     |              |
| 2         | 36AD-10080     | 2              | 低气压传感器 (电子式)<br>Low Air Pressure Sensor (Electric) |                     | 配步进电机仪表<br>Meter W/Step Motor       |              |
|           | 35AD-06202     | 2              | 低气压传感器<br>Low Air Pressure Sensor                  |                     | 配除步进电机仪表外仪表<br>Meter W/O Step Motor |              |
| 3         | 3720AD-020     | 1              | 驻车制动灯开关<br>Parking Brake Light Switch              |                     |                                     |              |

## 油门传感器, 车速传感器 / THROTTLE SENSOR, SPEED SENSOR

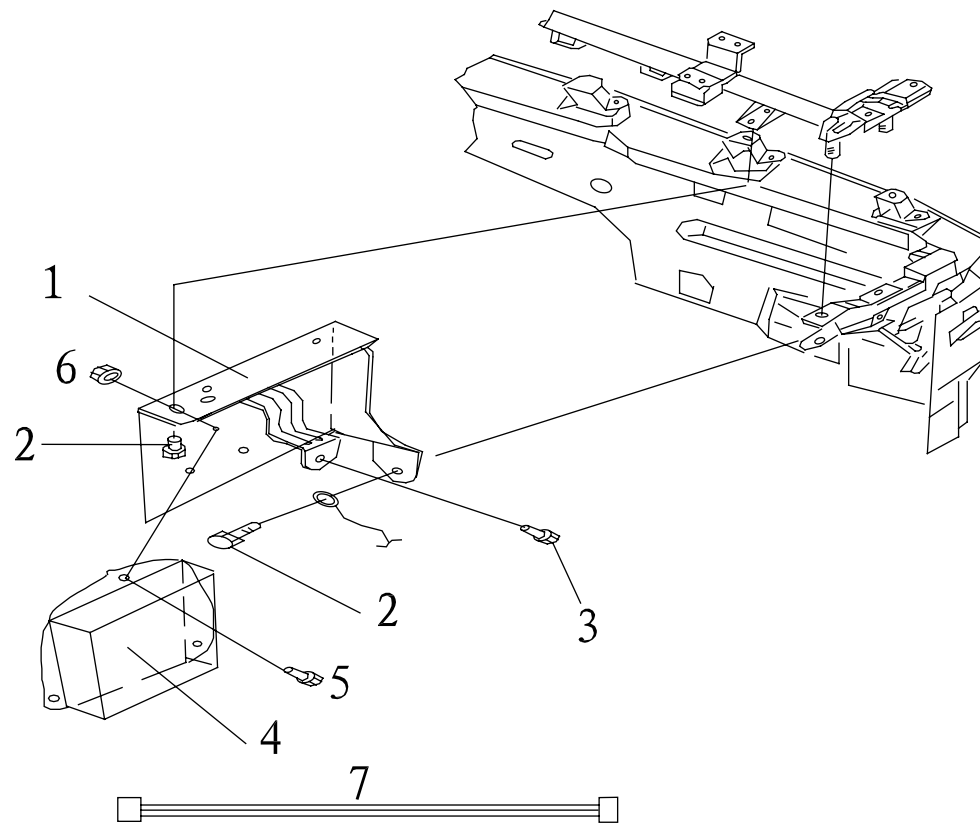
36-F



| 序号<br>No. | 件号<br>Part No. | 数量<br>Quantity | 名称<br>Name   | 规格<br>Specification | 适用产品<br>Products Applied               | 备注<br>Remark |
|-----------|----------------|----------------|--|---------------------|--|--------------|
| 1         | 36AD-77011     | 1              | 油门传感器<br>Throttle Sensor                                       |                     |  |              |
|           | 36AD-77010     | 1              | 油门传感器<br>Throttle Sensor                                       |                     | 三菱发动机<br>MITSUBISHI Engine             |              |
|           | 1815340032     | 1              | 油门传感器<br>Throttle Sensor                                       |                     | 五十铃发动机<br>ISUZU Engine                 |              |
| 2         | Q1420616       | 2              | 六角头螺栓弹簧垫圈组合件<br>Hexagon Combination Bolt W/Spring Washer       |                     |  |              |
| 3         | 36A4D-10050    | 1              | 车速传感器<br>Speed Sensor  |                     | 康明斯和斯太尔发动机<br>CUMMINS And STEYR Engine |              |
| 4         | 36A44D-08010   | 1              | 日野欧III油门踏板<br>HINO Euro III Accelerator Pedal                  |                     | 日野欧III发动机<br>HINO Euro III Engine      |              |
|           | 36A59D-08010   | 1              | 潍柴欧III电子油门踏板<br>WEICHA I Euro III Electronic Accelerator Pedal |                     | 潍柴欧III<br>WEICHA I Euro III            |              |
|           | 36A43D-08010   | 1              | 康明斯欧III电子油门踏板<br>CUMMINS Euro III Electronic Accelerator Pedal |                     | 康明斯欧III<br>CUMMINS Euro III            |              |
|           | 36A52D-08010   | 1              | 卡特欧III油门踏板<br>CATER Euro III Accelerator Pedal                 |                     | 卡特欧III<br>CATER Euro III               |              |
| 5         | 36A44D-08510   | 1              | 日野欧III后置油门<br>HINO Euro III Postposition Throttle              |                     | 日野欧III发动机<br>HINO Euro III Engine      |              |
|           | 36A59D-08510   | 1              | 潍柴欧III后置油门<br>WEICHA I Euro III Postposition Throttle          |                     | 潍柴欧III<br>WEICHA I Euro III            |              |
|           | 36A43D-08510   | 1              | 康明斯欧III后置油门<br>CUMMINS Euro III Postposition Throttle          |                     | 康明斯欧III<br>CUMMINS Euro III            |              |
|           | 36A52D-08510   | 1              | 卡特欧III置油门<br>CATER Euro III Postposition Throttle              |                     | 卡特欧III<br>CATER Euro III               |              |

## ABS 控制器 (康明斯发动机系列) ABS CONTROLLER (CUMMINS ENGINE SERIES)

36-G

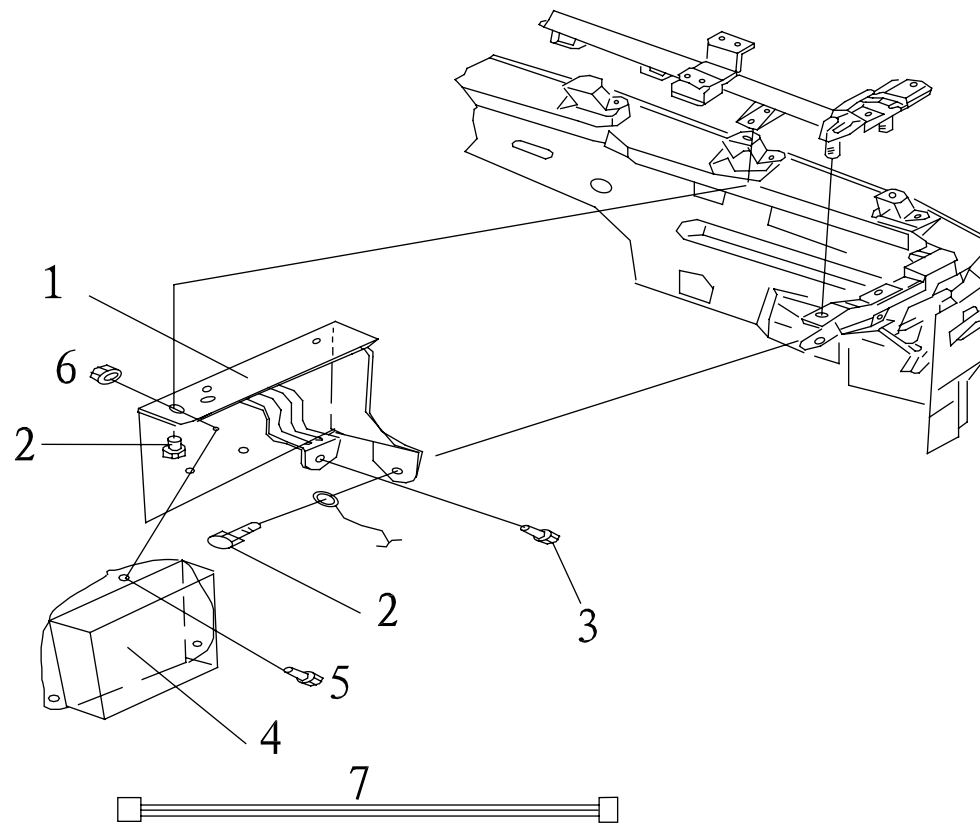




| 序号<br>No. | 件号<br>Part No. | 数量<br>Quantity | 名称<br>Name   | 规格<br>Specification | 适用产品<br>Products Applied                              | 备注<br>Remark |
|-----------|----------------|----------------|--|---------------------|---|--------------|
| 1         | 36AD-05011     | 1              | ECU 支架<br>ECU Bracket  |                     |   |              |
| 2         | Q1420616       | 2              | 六角头螺栓和弹簧垫圈组合件<br>Hexagon Combination Bolt W/Spring Washer                            |                     |   |              |
| 3         | Q1460620       | 1              | 六角头螺栓、弹簧垫圈和平垫圈组合件<br>Hexagon Combination Bolt W/Spring And Plate Washer              |                     |   |              |
| 4         | 35ADQ-50020    | 1              | ABS 控制器<br>ABS Controller  |                     |   |              |
| 5         | Q2360616       | 3              | 十字槽盘头螺钉弹平垫组合件<br>Cross Recessed Pan Head Combination Screw W/Spring And Plate Washer |                     |   |              |
| 6         | Q340B06        | 3              | I 型六角螺母<br>Hexagon Full Nut  |                     |   |              |
| 7         | 35A4DQ-50040   |                | ABS 车架线束 (康明斯)<br>ABS Frame Wire Harness (CUMMINS)                                   |                     | 双桥牵引车系列 (康明斯)<br>Double Axle Tractor Series (CUMMINS) |              |
|           | 35A4DQ-50045   |                | ABS 车架线束 (康明斯单桥)<br>ABS Frame Wire Harness (CUMMINS Single Axle)                     |                     | 单桥牵引车系列 (康明斯)<br>Single Axle Tractor Series (CUMMINS) |              |
|           | 35A4DQ-50041   |                | ABS 车架线束 (康明斯 4700)<br>ABS Frame Wire Harness (CUMMINS 4700)                         |                     | 4700 货车系列 (康明斯)<br>4700 Truck Series (CUMMINS)        |              |
|           | 35A4DQ-50042   |                | ABS 车架线束 (康明斯 5600)<br>ABS Frame Wire Harness (CUMMINS 5600)                         |                     | 5600 货车系列 (康明斯)<br>5600 Truck Series (CUMMINS)        |              |
|           | 35AH4DQ-50040  |                | AH 车架 ABS 线束 (康明斯牵引)<br>AH Frame ABS Wire Harness (CUMMINS Tractor)                  |                     | 卡特 C13 牵引<br>CATER C13 Tractor                        |              |
|           | 35A9DP5-50043  |                | ABS 车架线束 (康明斯 4000)<br>ABS Frame Wire Harness (CUMMINS 4000)                         |                     | 非 HOWO 结构康明斯 4000<br>Non-HOWO Structure CUMMINS 4000  |              |
|           | 35A4DP4-50045  |                | ABS 车架线束 (康明斯 4605)<br>ABS Frame Wire Harness (CUMMINS 4605)                         |                     | 非 HOWO 结构康明斯 4605<br>Non-HOWO Structure CUMMINS 4605  |              |

## ABS 控制器 (康明斯发动机系列) ABS CONTROLLER (CUMMINS ENGINE SERIES)

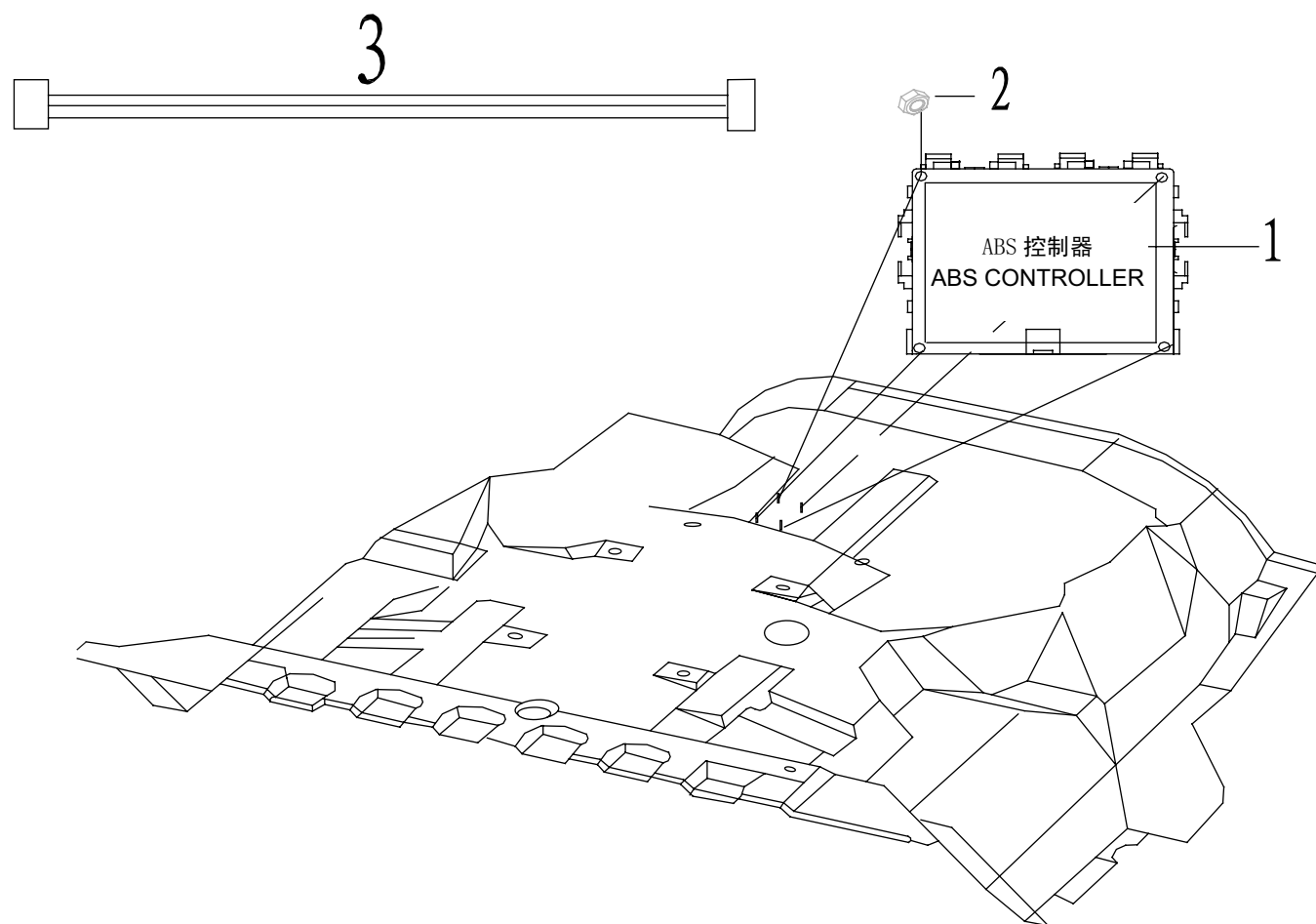
36-G



| 序号<br>No. | 件号<br>Part No. | 数量<br>Quantity | 名称<br>Name   | 规格<br>Specification | 适用产品<br>Products Applied   | 备注<br>Remark |
|-----------|----------------|----------------|--|---------------------|--|--------------|
| 7         | 35ADQ-50040    |                | ABS 车架线束<br>ABS Frame Wire Harness                   |                     | 双桥牵引车系列（斯太尔、三菱、五十铃）<br>Double Axle Tractor Series (STEYR,<br>MITSUBISHI,ISUZU) |              |
|           | 35ADQ-50045    |                | ABS 车架线束（单桥）<br>ABS Frame Wire Harness (Single Axle) |                     | 单桥牵引车系列（斯太尔、三菱、五十铃）<br>Single Axle Tractor Series (STEYR,<br>MITSUBISHI,ISUZU) |              |
|           | 35ADQ-50041    |                | ABS 车架线束（4700）<br>ABS Frame Wire Harness (4700)      |                     | 4700 货车系列（斯太尔、三菱、五十铃）<br>4700 Truck Series (STEYR, MITSUBISHI,<br>ISUZU)       |              |
|           | 35ADQ-50042    |                | ABS 车架线束（5600）<br>ABS Frame Wire Harness (5600)      |                     | 5600 货车系列（斯太尔、三菱、五十铃）<br>5600 Truck Series (STEYR, MITSUBISHI,<br>ISUZU)       |              |

## ABS 控制器 (斯太尔发动机系列) / ABS CONTROLLER (STEYR ENGINE SERIES)

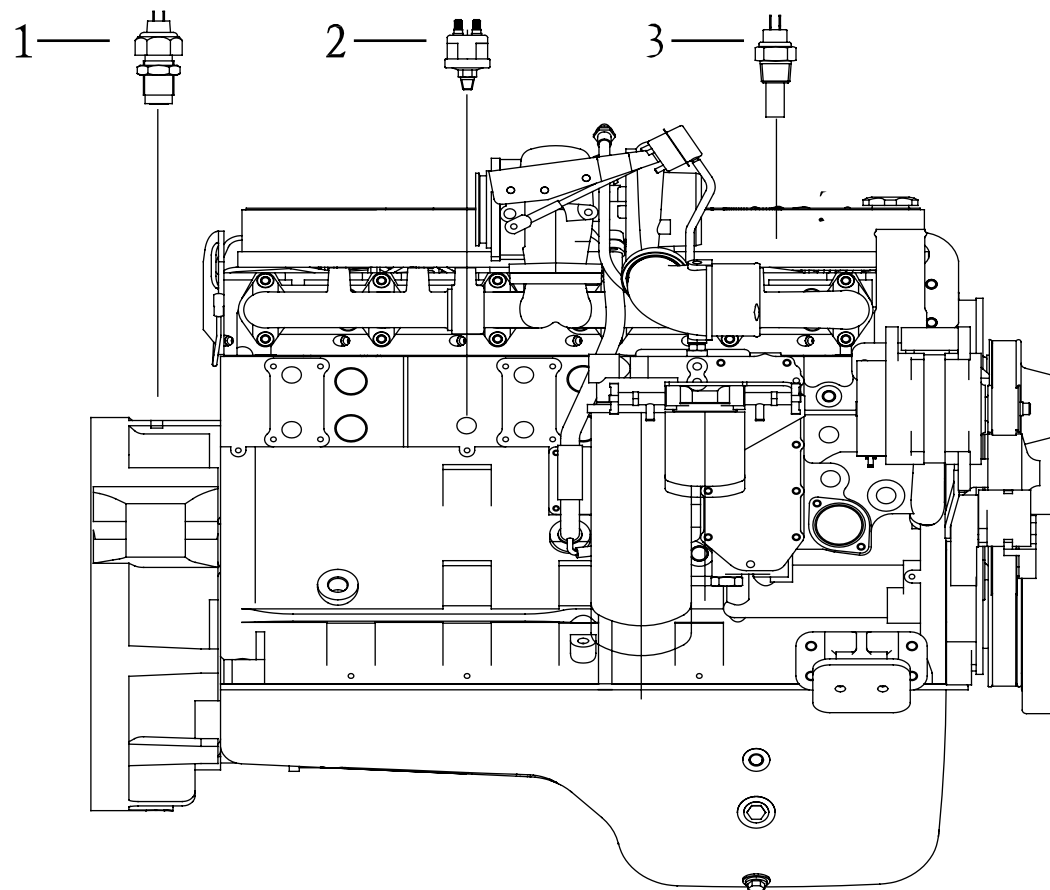
36-H



| 序号<br>No. | 件号<br>Part No. | 数量<br>Quantity | 名称<br>Name   | 规格<br>Specification | 适用产品<br>Products Applied   | 备注<br>Remark |
|-----------|----------------|----------------|--|---------------------|--|--------------|
| 1         | 35ADQ-50020    | 1              | ABS 控制器<br>ABS Controller                                  |                     |  |              |
| 2         | Q340B06        | 4              | I 型六角螺母<br>Hexagon Full Nut                                |                     |  |              |
| 3         | 35ADQ-50030    |                | ABS 驾驶室线束<br>ABS Cab Wire Harness                          |                     | 6×4 牵引车系列 (斯太尔、三菱、五十铃)<br>6×4 Tractor Series<br>(STEYR,MITSUBISHI,ISUZU) |              |
|           | 35A4DP4-50030  |                | ABS 驾驶室线束 (康明斯四桥)<br>ABS Cab Wire Harness (CUMMINS 4-Axle) |                     |  |              |

车速传感器、机油压力传感器、水温传感器  
SPEED SENSOR, OIL PRESSURE SENSOR, WATER TEMPERATURE SENSOR

36-1



| 序号<br>No. | 件号<br>Part No. | 数量<br>Quantity | 名称<br>Name                                     | 规格<br>Specification | 适用产品<br>Products Applied        | 备注<br>Remark |
|-----------|----------------|----------------|--|---------------------|---------------------------------|--------------|
| 1         | 36A12D1-10030  | 1              | 转速传感器<br>RPM Sensor                            |                     | 玉柴发动机系列<br>YUCHAI Engine Series |              |
|           | 36A16D-10030   | 1              | 转速传感器 (日野)<br>RPM Sensor (HINO)                |                     | 日野发动机系列<br>HINO Engine Series   |              |
|           | 36A22D-10030   | 1              | 转速传感器 (M11)<br>RPM Sensor (M11)                |                     | M11 发动机系列<br>M11 Engine Series  |              |
| 2         | 36A12D1-10040  | 1              | 机油压力传感器<br>Oil Pressure Sensor                 |                     | 玉柴发动机系列<br>YUCHAI Engine Series |              |
|           | 36A52D-10040   | 1              | 机油压力传感器 (卡特)<br>Oil Pressure Sensor (CATER)    |                     | 卡特发动机系列<br>CATER Engine Series  |              |
|           | 36A16D-10040   | 1              | 机油压力传感器 (日野)<br>Oil Pressure Sensor (HINO)     |                     | 日野发动机系列<br>HINO Engine Series   |              |
|           | 36A22D-10040   | 1              | 机油压力传感器 (M11)<br>Oil Pressure Sensor (M11)     |                     | M11 发动机系列<br>M11 Engine Series  |              |
| 3         | 36A12D1-10060  | 1              | 水温传感器<br>Water Temperature Sensor              |                     | 玉柴发动机系列<br>YUCHAI Engine Series |              |
|           | 36A52D-10060   | 1              | 水温传感器 (卡特)<br>Water Temperature Sensor (CATER) |                     | 卡特发动机系列<br>CATER Engine Series  |              |
|           | 36A16D-10060   | 1              | 水温传感器 (日野)<br>Water Temperature Sensor (HINO)  |                     | 日野发动机系列<br>HINO Engine Series   |              |
|           | 36A22D-10060   | 1              | 水温传感器 (M11)<br>Water Temperature Sensor (M11)  |                     | M11 发动机系列<br>M11 Engine Series  |              |





37

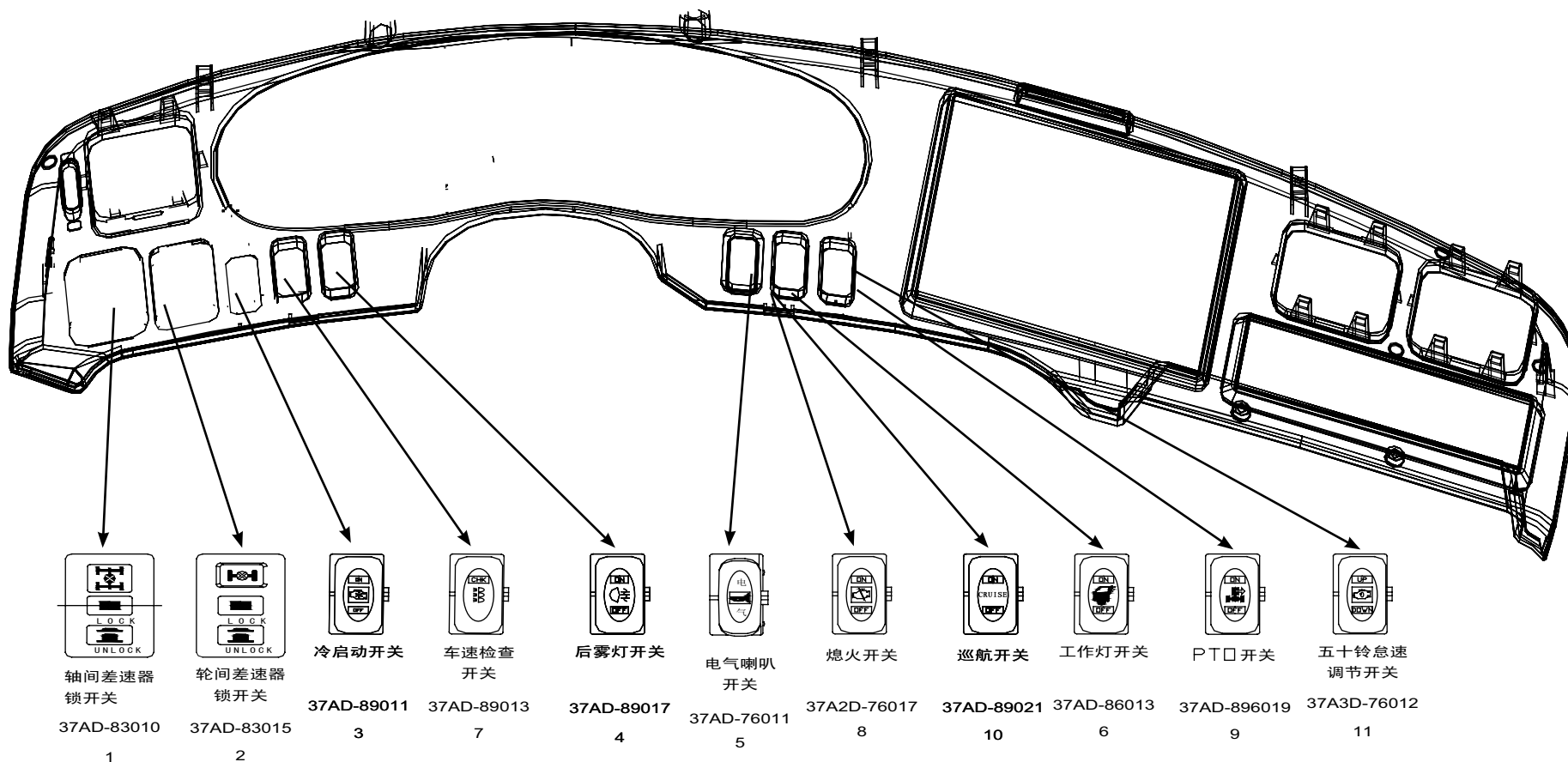
**电气设备系统**

***ELECTRIC***

***EQUIPMENT SYSTEM***

翘板开关装置图 I / PADDLE SWITCH I

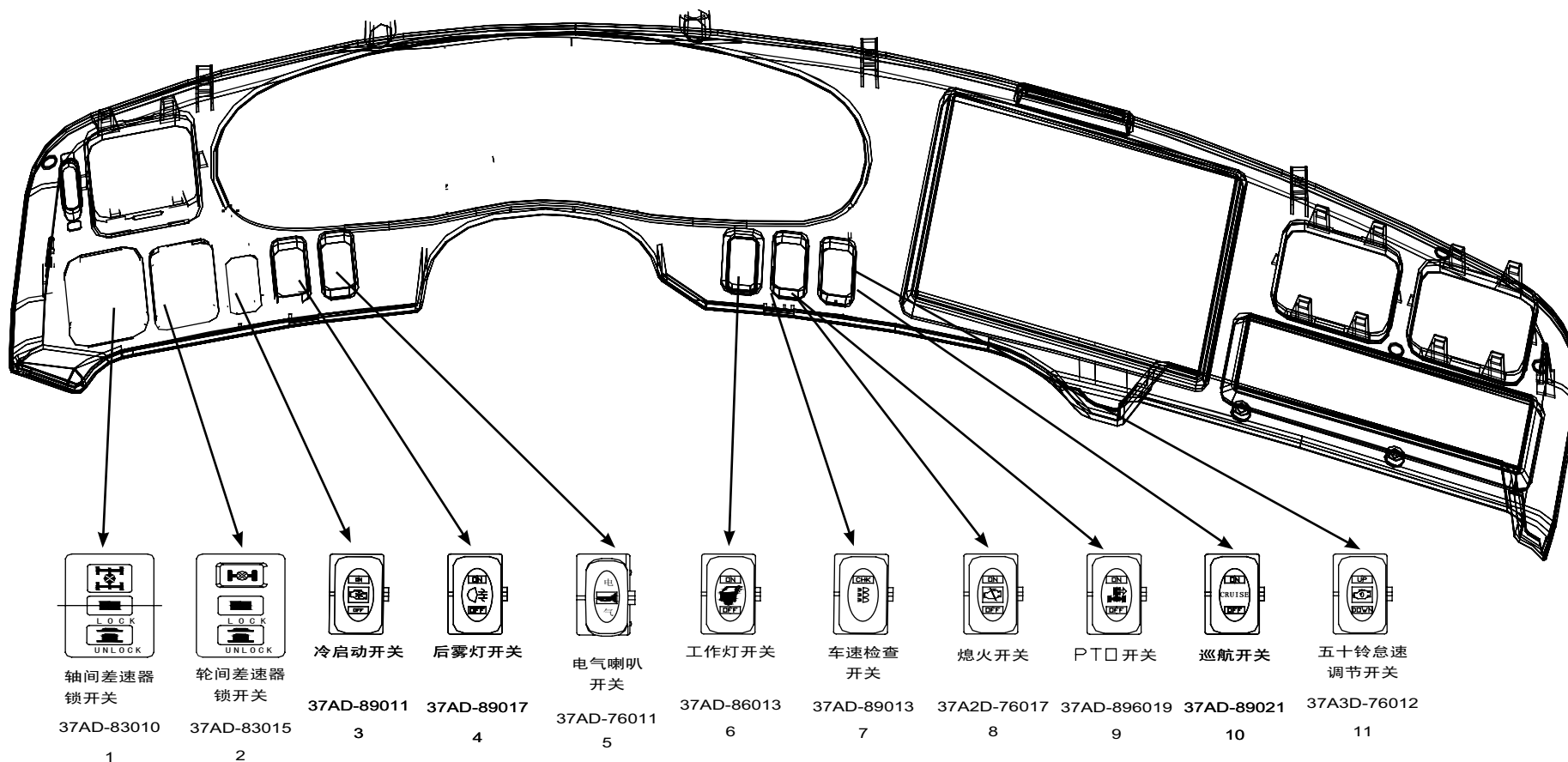
37-A



| 序号<br>No. | 件号<br>Part No. | 数量<br>Quantity | 名称<br>Name                                      | 规格<br>Specification | 适用产品<br>Products Applied                   | 备注<br>Remark |
|-----------|----------------|----------------|---|---------------------|--|--------------|
| 1         | 37AD-83010     | 1              | 轴间差速器锁开关<br>Interaxial Differential Lock Switch |                     |  |              |
| 2         | 37AD-83015     | 1              | 轮间差速器锁开关<br>Differential Lock Switch            |                     |  |              |
| 3         | 37AD-89011     | 1              | 冷启动开关<br>Cold Starting Switch                   |                     |  |              |
| 4         | 37AD-89017     | 1              | 后雾灯开关<br>Rear Fog Light Switch                  |                     |  |              |
| 5         | 37AD-76011     | 1              | 电器喇叭开关<br>Electric Horn Switch                  |                     |  |              |
| 6         | 37AD-86013     | 1              | 工作灯开关<br>Working Light Switch                   |                     |  |              |
| 7         | 37AD-89013     | 1              | 车速检查开关<br>Speed Inspection Switch               |                     |  |              |
| 8         | 37A2D-76017    | 1              | 熄火开关<br>Engine Stop Switch                      |                     | 斯太尔发动机<br>STEYR Engine                     |              |
| 9         | 37AD-89019     | 1              | PTO 开关<br>PTO Switch                            |                     | 自卸车<br>Dump Truck                          |              |
| 10        | 37AD-89021     | 1              | 巡航开关<br>Cruise Switch                           |                     | 卡特发动机系列车型<br>CATER Engine Series           |              |
| 11        | 37A3D-76012    | 1              | 五十铃怠速调节开关<br>ISUZU Idle Adjusting Switch        |                     | 五十铃、卡特发动机系列车型<br>ISUZU,CATER Engine Series |              |
|           | 37AD-68010     | 1              | 发动机转速调整开关<br>Engine Speed Adjusting Switch      |                     | 三菱发动机车型<br>MITSUBISHI Engine Model         |              |
|           | S894701051A    | 1              | 怠速调节器(日野)<br>Idle Adjuster (HINO)               |                     | 日野欧III发动机车型<br>HINO Euro III Engine Model  |              |
|           | S784032020A    | 1              | 怠速调节旋钮(日野)<br>Idle Adjusting Turn-Button(HINO)  |                     | 日野欧III发动机车型<br>HINO Euro III Engine Model  |              |

翘板开关装置图 II / PADDLE SWITCH II

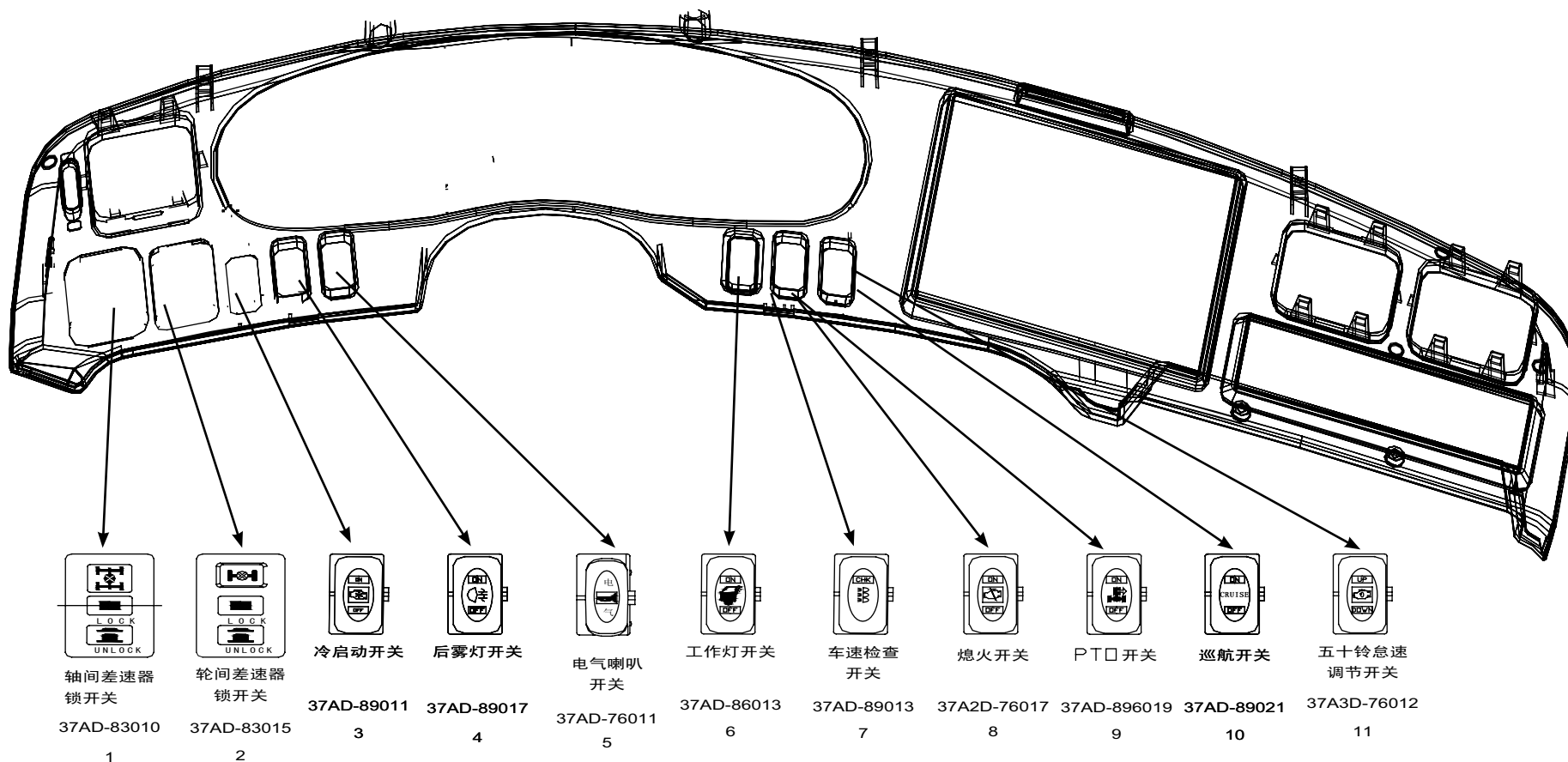
37-B



| 序号<br>No. | 件号<br>Part No. | 数量<br>Quantity | 名称<br>Name                                      | 规格<br>Specification | 适用产品<br>Products Applied                                       | 备注<br>Remark |
|-----------|----------------|----------------|---|---------------------|--|--------------|
| 1         | 37AD-83010     | 1              | 轴间差速器锁开关<br>Interaxial Differential Lock Switch |                     |  |              |
| 2         | 37AD-83015     | 1              | 轮间差速器锁开关<br>Differential Lock Switch            |                     |  |              |
| 3         | 37AD-89011     | 1              | 冷启动开关<br>Cold Starting Switch                   |                     |  |              |
|           | 37AH93D-89011  | 1              | 冷启动开关<br>Cold Starting Switch                   |                     | 三菱欧III<br>MITSUBISHI Euro III                                  |              |
|           | 37AD-89027     | 1              | 燃油加热开关<br>Fuel Heating Switch                   |                     | 出口俄罗斯 WD12 出口越南 6D24<br>Export Russia WD12 Export Vietnam 6D24 |              |
| 4         | 37AD-89025     | 1              | 快怠速开关<br>Fast Idle Switch                       |                     | 卡特 C9-350HP 发动机系列车型<br>CATER C9-350HP Engine Series Model      |              |
|           | 37AH93D-76017  | 1              | 发动机紧急停止开关<br>Engine Emergency Stop Switch       |                     | 三菱发动机系列车型<br>MITSUBISHI Engine Series Model                    |              |
|           | 37AD-89028     | 1              | 燃油加热档位开关<br>Fuel Heating Gear Position Switch   |                     | 出口俄罗斯 WD12 出口越南 6D24<br>Export Russia WD12 Export Vietnam 6D24 |              |
| 5         | 37AD-89023     | 1              | PTO 调节开关<br>PTO Adjusting Switch                |                     | 卡特发动机系列车型<br>CATER Engine Series Model                         |              |
| 6         | 37AD-76011     | 1              | 电气喇叭开关<br>Electric Horn Switch                  |                     |  |              |
| 7         | 37A2D-76017    | 1              | 熄火开关<br>Engine Stop Switch                      |                     | 斯太尔发动机<br>STEYR Engine   |              |
| 8         | 37AD-89021     | 1              | 巡航开关<br>Cruise Switch                           |                     | 卡特发动机系列车型<br>CATER Engine Series Model                         |              |
| 9         | 37AD-86013     | 1              | 工作灯开关<br>Working Light Switch                   |                     |  |              |
| 10        | 37AD-89019     | 1              | PTO 开关<br>PTO Switch                            |                     | 自卸车<br>Dump Truck  |              |

翘板开关装置图 II / PADDLE SWITCH II

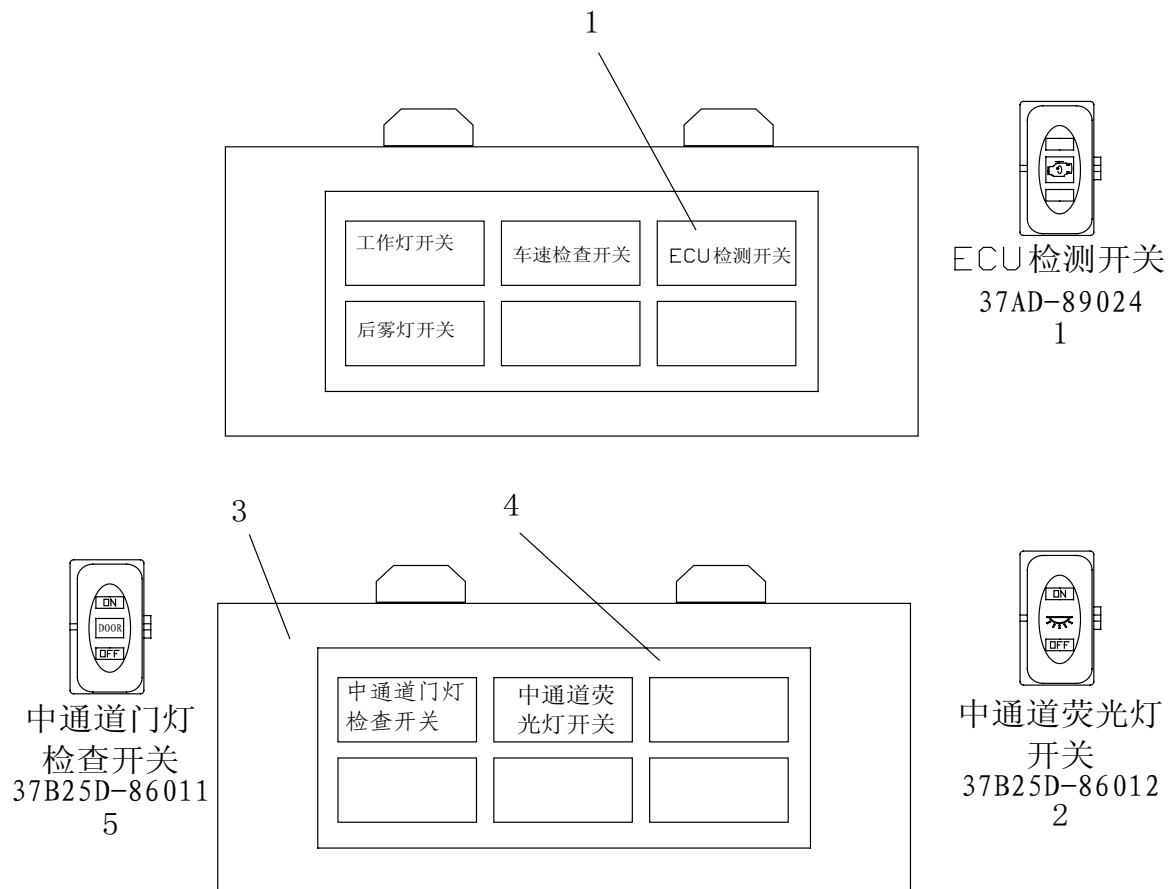
37-B



| 序号<br>No. | 件号<br>Part No. | 数量<br>Quantity | 名称<br>Name                                      | 规格<br>Specification | 适用产品<br>Products Applied                         | 备注<br>Remark |
|-----------|----------------|----------------|---|---------------------|--|--------------|
| 11        | 37A3D-76012    | 1              | 五十铃怠速调节开关<br>ISUZU Idle Adjusting Switch        |                     | 五十铃、卡特发动机系列车型<br>ISUZU,CATER Engine Series Model |              |
|           | 37AD-68010     | 1              | 发动机转速调整开关<br>Engine Speed Adjusting Switch      |                     | 三菱发动机车型<br>MITSUBISHI Engine Model               |              |
|           | S894701051A    | 1              | 怠速调节器（日野）<br>Idle Adjuster (HINO)               |                     | 日野欧III发动机车型<br>HINO Euro III Engine Model        |              |
|           | S784032020A    | 1              | 怠速调节旋钮（日野）<br>Idle Adjusting Turn-Button (HINO) |                     | 日野欧III发动机车型<br>HINO Euro III Engine Model        |              |

翘板开关装置图III / PADDLE SWITCH III

37-C

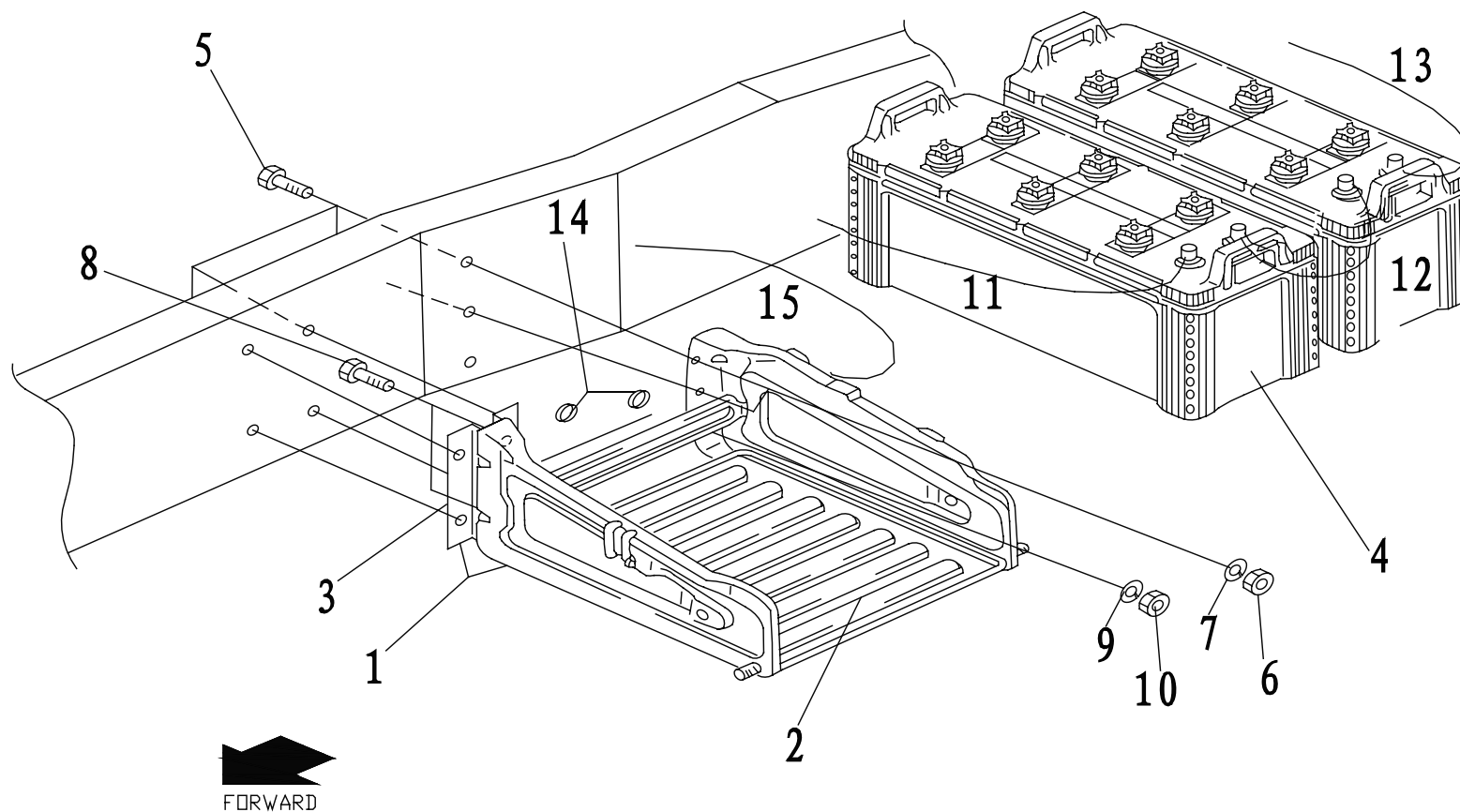




| 序号<br>No. | 件号<br>Part No. | 数量<br>Quantity | 名称<br>Name   | 规格<br>Specification | 适用产品<br>Products Applied         | 备注<br>Remark |
|-----------|----------------|----------------|--|---------------------|----------------------------------|--------------|
| 1         | 37AD-89024     | 1              | ECU 检测开关<br>ECU Detecting Switch                         |                     | 卡特发动机系列车型<br>CATER Engine Series |              |
| 2         | 37B25D-86011   | 1              | 中通道荧光灯开关<br>Middle Passage Fluorescent Lamp Switch       |                     | 窄体车型<br>Narrow Cab Model         |              |
| 3         | 37AD-76020     | 1              | 中通道翘板开关外饰板<br>Middle Passage Paddle Switch Outer Panel   |                     |                                  |              |
| 4         | 37AD-76021     | 1              | 中通道翘板开关底座<br>Middle Passage Paddle Switch Base           |                     |                                  |              |
| 5         | 37B25D-86012   | 1              | 中通道门灯检查开关<br>Middle Passage Door Light Inspection Switch |                     | 窄体车型<br>Narrow Cab Model         |              |

## 蓄电池框装置图 / BATTERY FRAME

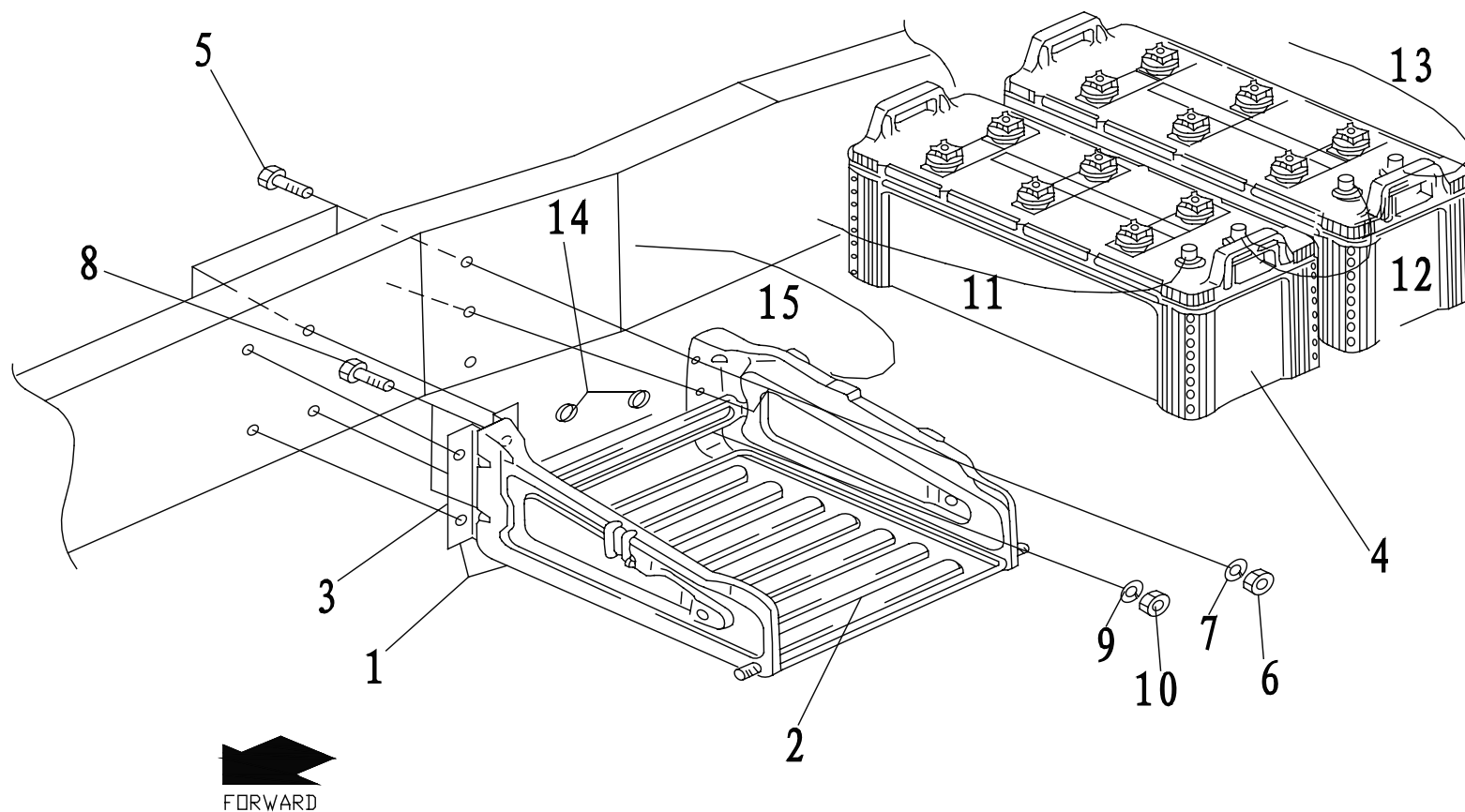
37-D



| 序号<br>No. | 件号<br>Part No. | 数量<br>Quantity | 名称<br>Name                            | 规格<br>Specification | 适用产品<br>Products Applied | 备注<br>Remark |
|-----------|----------------|----------------|---------------------------------------|---------------------|--------------------------|--------------|
| 1         | 37AD-03050     | 1              | 蓄电池框总成<br>Battery Frame Assembly      |                     |                          |              |
|           | 37AD-03250     | 1              | 蓄电池框总成 -2<br>Battery Frame Assembly-2 |                     |                          |              |
| 2         | 37AD-03052     | 1              | 蓄电池框体<br>Battery Frame                |                     |                          |              |
|           | 37AD-03252     | 1              | 蓄电池框体 -2<br>Battery Frame-2           |                     |                          |              |
| 3         | 37ADQ-03070    | 1              | 蓄电池框左侧支架<br>Battery Frame Bracket LH  |                     |                          |              |
| 4         | 37AD-03001     | 2              | 蓄电池<br>Battery                        |                     |                          |              |
|           | 37AD-03101     | 2              | 蓄电池 -2<br>Battery-2                   |                     |                          |              |
|           | 37AD-03201     | 2              | 蓄电池 -2<br>Battery-2                   |                     |                          |              |
| 5         | Q150B1240      | 6              | 六角头螺栓<br>Hexagon Head Bolt            |                     |                          |              |
| 6         | Q340B12        | 6              | I 型六角螺母<br>Hexagon Full Nut           |                     |                          |              |
| 7         | Q40512         | 9              | 弹簧垫圈<br>Spring Washer                 |                     |                          |              |
| 8         | Q150B1225      | 3              | 六角头螺栓<br>Hexagon Head Bolt            |                     |                          |              |
| 9         | Q40514         | 1              | 弹簧垫圈<br>Spring Washer                 |                     |                          |              |
| 10        | Q340B14        | 1              | I 型六角螺母<br>Hexagon Full Nut           |                     |                          |              |

## 蓄电池框装置图 / BATTERY FRAME

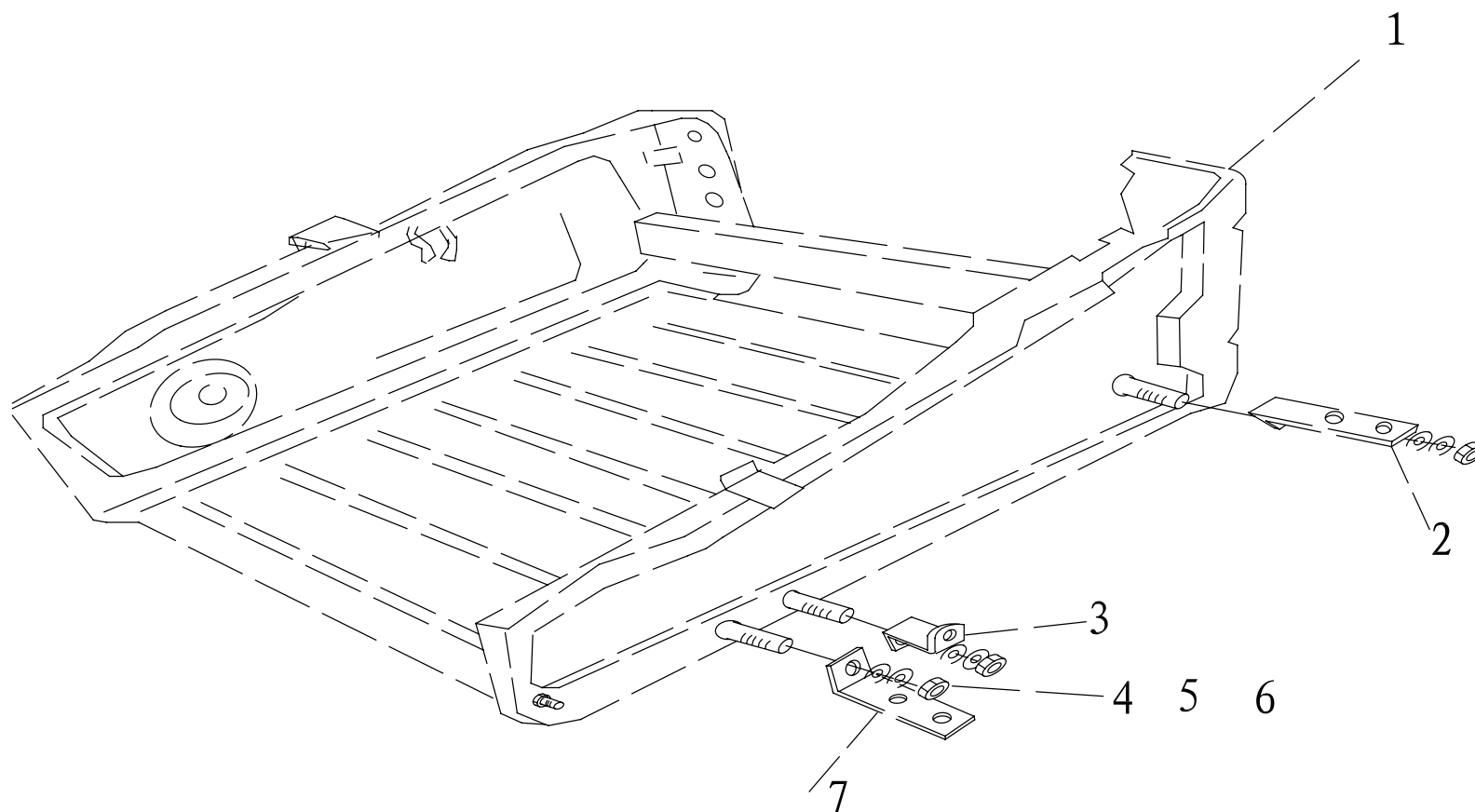
37-D



| 序号<br>No. | 件号<br>Part No. | 数量<br>Quantity | 名称<br>Name                                    | 规格<br>Specification | 适用产品<br>Products Applied | 备注<br>Remark |
|-----------|----------------|----------------|---|---------------------|--------------------------|--------------|
| 11        | 37AD-03020     | 1              | 电瓶负极搭铁电缆<br>Battery Negative Ground Cable     |                     |                          |              |
|           | 37AHD-03020    | 1              | AH 蓄电池负极电缆<br>AH Battery Negative Cable       |                     |                          |              |
| 12        | 37AD-03010     | 1              | 电瓶跨接电缆<br>Battery Crossover Cable             |                     |                          |              |
|           | 37AHD-03010    | 1              | AH 蓄电池跨接电缆<br>AH Battery Crossover Cable      |                     |                          |              |
| 13        | 37AD-03030     | 1              | 蓄电池正极电缆<br>Battery Positive Cable             |                     |                          |              |
|           | 37AHD-03030    | 1              | AH 蓄电池正极电缆<br>AH Battery Positive Cable       |                     |                          |              |
| 14        | 37AHD-24301    | 2              | 电瓶框橡胶护圈<br>Battery Frame Rubber Retainer Ring |                     |                          |              |
| 15        | 37AHD-03025    | 1              | AH 蓄电池搭铁电缆<br>AH Battery Ground Cable         |                     |                          |              |
| 16        | 37AD-85020     | 1              | 电源总开关<br>Power Supply Main Switch             |                     |                          |              |

## 蓄电池框支架图 / BATTERY FRAME BRACKET

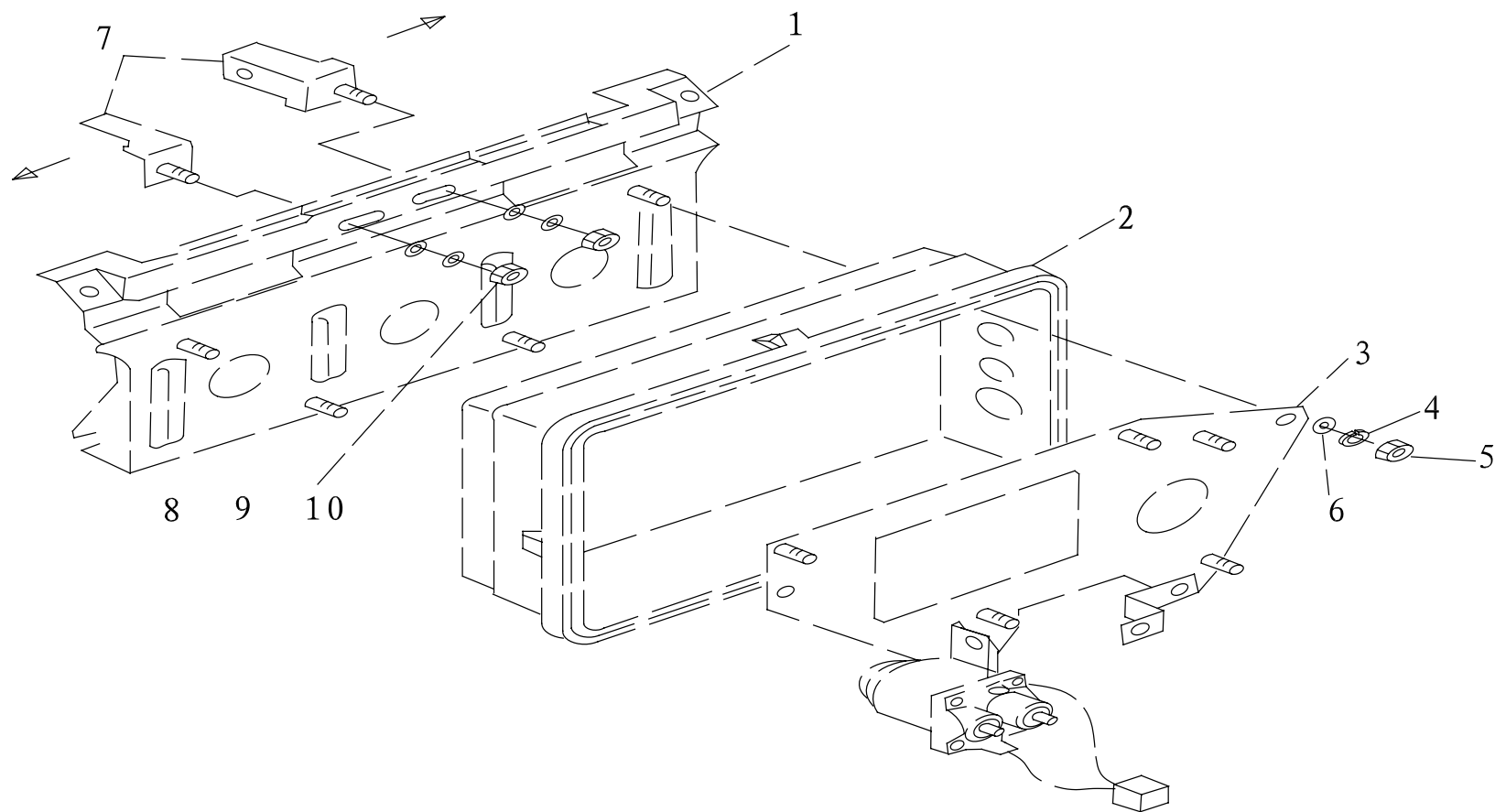
37-E



| 序号<br>No. | 件号<br>Part No. | 数量<br>Quantity | 名称<br>Name                 | 规格<br>Specification | 适用产品<br>Products Applied | 备注<br>Remark |
|-----------|----------------|----------------|----------------------------|---------------------|--------------------------|--------------|
| 1         | 37AD-03052     | 1              | 蓄电池框体<br>Battery Frame     |                     |                          |              |
| 2         | 37AD-34003     | 1              | 支架<br>Bracket              |                     |                          |              |
| 3         | 37AD-34011     | 1              | 支架<br>Bracket              |                     |                          |              |
| 4         | Q40208         | 3              | 大垫圈<br>Big Washer          |                     |                          |              |
| 5         | Q40308         | 3              | 弹簧垫圈<br>Spring Washer      |                     |                          |              |
| 6         | Q340B08        | 3              | I型六角螺母<br>Hexagon Full Nut |                     |                          |              |
| 7         | 37AD-34007     | 1              | 支架<br>Bracket              |                     |                          |              |

## 蓄电池框挡板装置图 / BATTERY FRAME BAFFLE

37-F

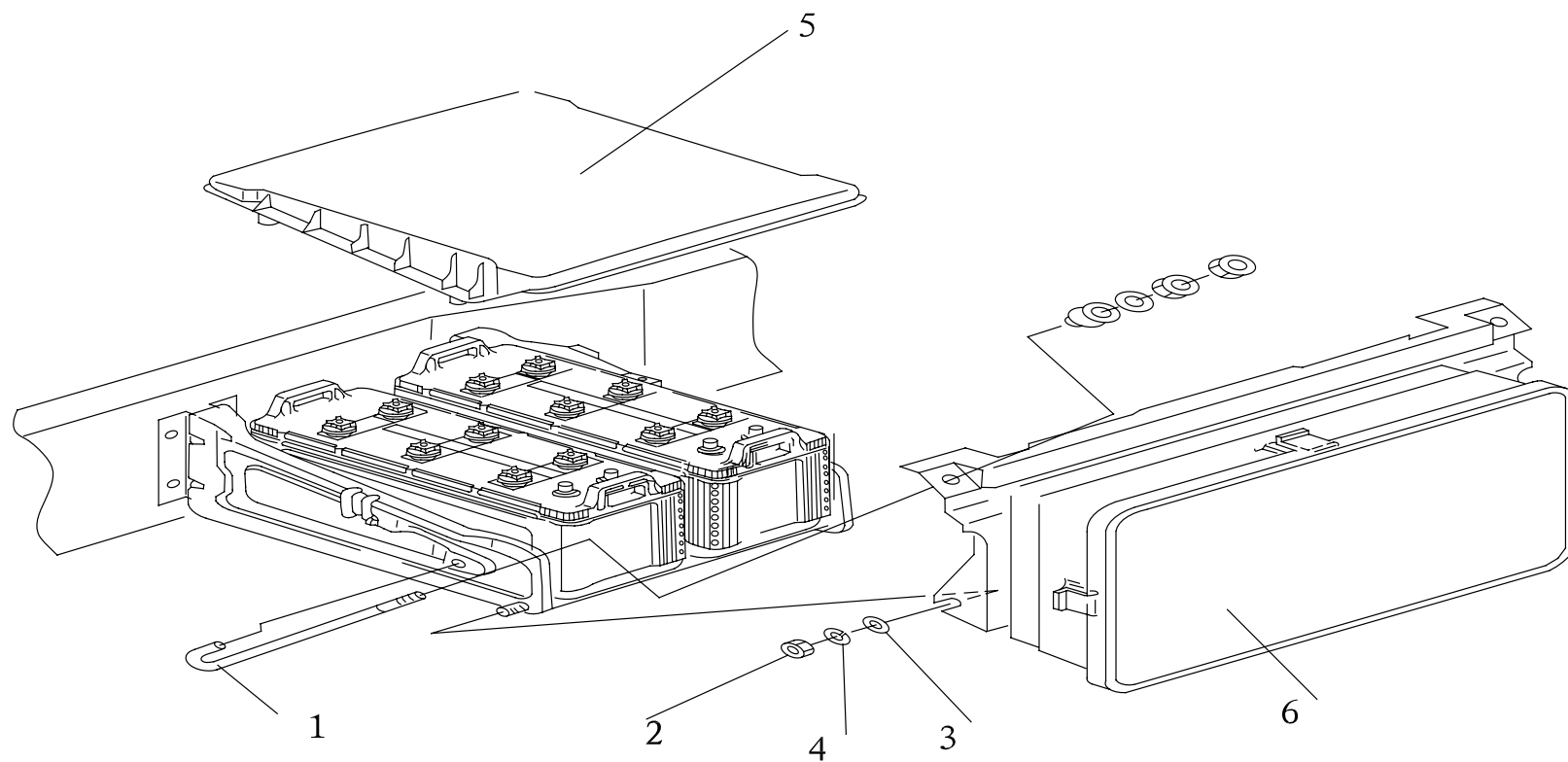




| 序号<br>No. | 件号<br>Part No. | 数量<br>Quantity | 名称<br>Name  | 规格<br>Specification | 适用产品<br>Products Applied | 备注<br>Remark |
|-----------|----------------|----------------|---|---------------------|--------------------------|--------------|
| 1         | 37AD-03055     | 1              | 蓄电池框前挡板总成<br>Battery Frame Front Baffle Assembl             |                     |                          |              |
| 2         | 37AD-22022     | 1              | 大电流保险丝盒箱体<br>High Current Fuse Box Body                     |                     |                          |              |
| 3         | 37AD-22026     | 1              | 大电流保险丝底座安装支架<br>High Current Fuse Base Installation Bracket |                     |                          |              |
| 4         | Q40308         | 4              | I 型六角螺母<br>Hexagon Full Nut                                 |                     |                          |              |
| 5         | Q340B08        | 4              | 弹簧垫圈<br>Spring Washer                                       |                     |                          |              |
| 6         | Q40108         | 4              | 平垫圈<br>Plate Washer   |                     |                          |              |
| 7         | 37AD-03065     | 2              | 蓄电池限位小支架<br>Battery Limiting Small Bracket                  |                     |                          |              |
| 8         | Q40308         | 2              | 弹簧垫圈<br>Spring Washer                                       |                     |                          |              |
| 9         | Q340B08        | 2              | I 型六角螺母<br>Hexagon Full Nut                                 |                     |                          |              |
| 10        | Q40108         | 2              | 平垫圈<br>Plate Washer   |                     |                          |              |

## 大电流保险丝盒装置图 / HIGH CURRENT FUSE BOX

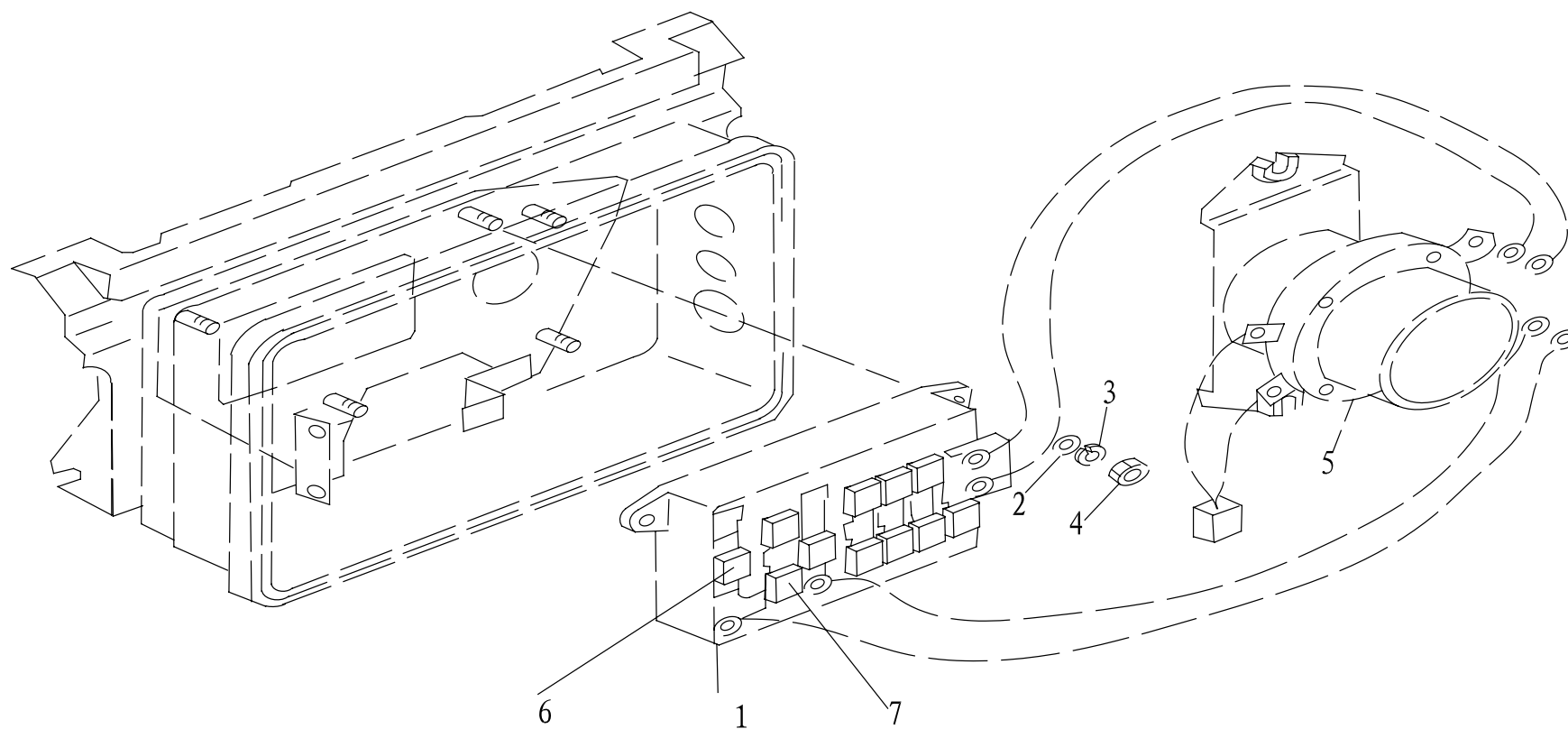
37-G



| 序号<br>No. | 件号<br>Part No. | 数量<br>Quantity | 名称<br>Name   | 规格<br>Specification | 适用产品<br>Products Applied | 备注<br>Remark |
|-----------|----------------|----------------|--|---------------------|--------------------------|--------------|
| 1         | 37AD-03060     | 2              | 蓄电池框前挡板固定拉杆总成<br>Battery Frame Front Baffle Holding Lever Assembly |                     |                          |              |
| 2         | Q340B08        | 2              | I型六角螺母<br>Hexagon Full Nut   |                     |                          |              |
| 3         | Q40308         | 2              | 弹簧垫圈<br>Spring Washer  |                     |                          |              |
| 4         | Q40108         | 2              | 平垫圈<br>Plate Washer  |                     |                          |              |
| 5         | 37AD-03051     | 1              | 蓄电池罩盖<br>Battery Cover   |                     |                          |              |
|           | 37AD-03151     | 1              | 蓄电池框金属罩盖<br>Battery Frame Metal Cover                              |                     |                          |              |
|           | 37AD-03251     | 1              | 蓄电池框罩盖 -2<br>Battery Frame Cover-2                                 |                     |                          |              |
| 6         | 37AD-22020     | 1              | 大电流保险丝盒总成<br>High Current Fuse Box Assembly                        |                     |                          |              |

## 大电流保险丝盒座 / HIGH CURRENT FUSE BOX BASE

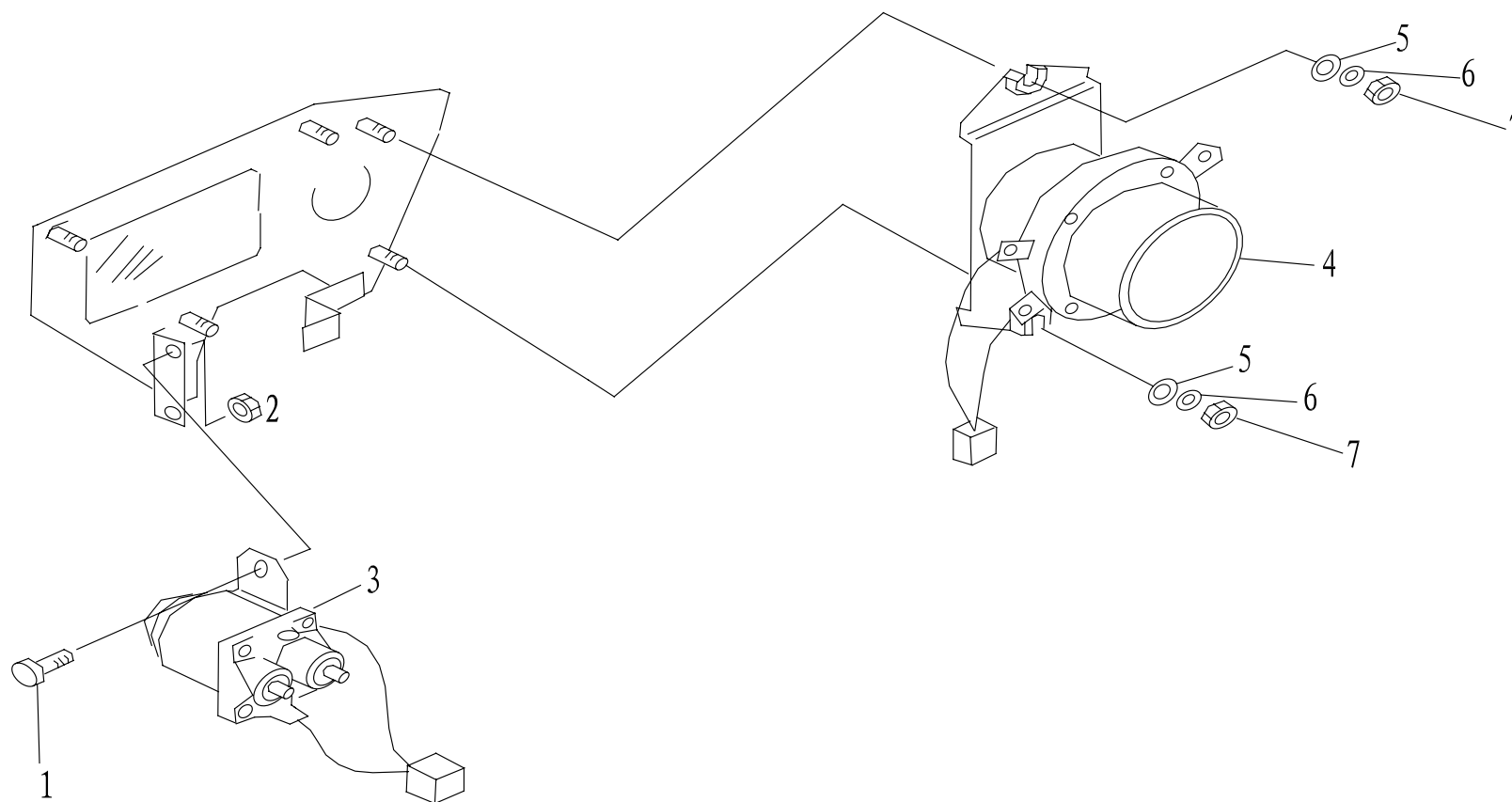
37-H



| 序号<br>No. | 件号<br>Part No. | 数量<br>Quantity | 名称<br>Name   | 规格<br>Specification | 适用产品<br>Products Applied                  | 备注<br>Remark |
|-----------|----------------|----------------|--|---------------------|---|--------------|
| 1         | 37AD-22024     | 1              | 大电流保险丝底座总成<br>High Current Fuse Base Assembly        |                     |   |              |
| 2         | Q40108         | 3              | 平垫圈<br>Plate Washer                                  |                     |   |              |
| 3         | Q40308         | 3              | 弹簧垫圈<br>Spring Washer                                |                     |   |              |
| 4         | Q340B08        | 3              | I型六角螺母<br>Hexagon Full Nut                           |                     |   |              |
| 5         | 37AD-35010     | 1              | 主电源继电器<br>Primary Power Supply Relay                 |                     |   |              |
|           | S844901230A    | 1              | 主电源继电器（日野）<br>Primary Power Supply Relay (HINO)      |                     | 日野欧III发动机车型<br>HINO Euro III Engine Model |              |
| 6         | 37AD-22028     | 1              | 100A 保险丝<br>100A Fuse                                |                     |   |              |
| 7         | 37AD-22027     | 10             | 50A 保险丝<br>50A Fuse                                  |                     |   |              |
| 8         | 37AH44D-35011  | 1              | 主电源继电器控制线<br>Primary Power Supply Relay Control line |                     | 日野欧III<br>HINO Euro III                   |              |

主电源继电器，起动继电器装置图  
PRIMARY POWER SUPPLY RELAY, STARTER RELAY

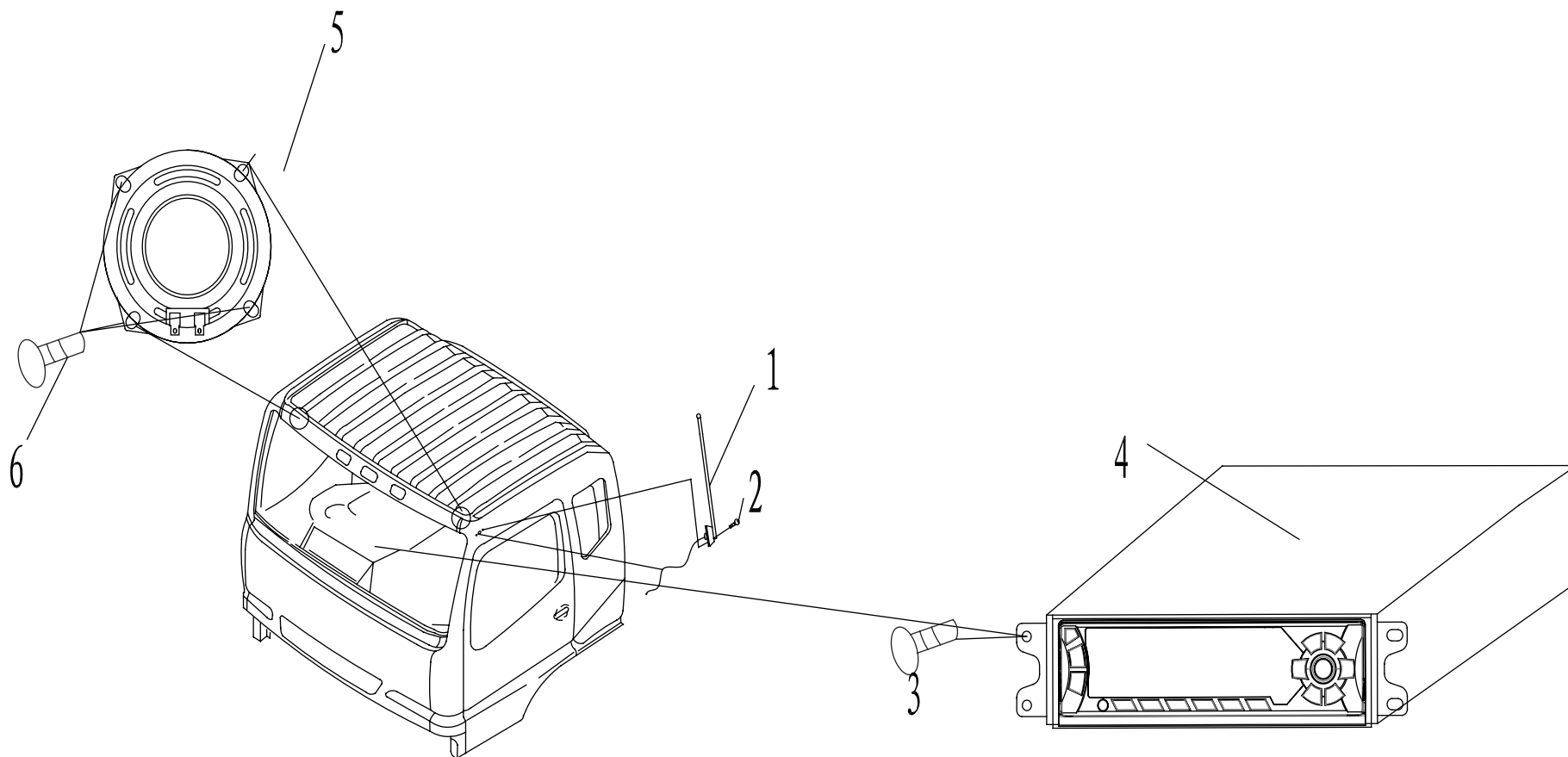
37-1



| 序号<br>No. | 件号<br>Part No. | 数量<br>Quantity | 名称<br>Name  | 规格<br>Specification | 适用产品<br>Products Applied | 备注<br>Remark |
|-----------|----------------|----------------|---|---------------------|--------------------------|--------------|
| 1         | Q1460616       | 2              | 六角头螺栓弹簧垫圈和平垫圈组合件<br>Hexagon Head Combination Bolt W/Spring And Plate Washer |                     |                          |              |
| 2         | Q340B06        | 2              | I 型六角螺母<br>Hexagon Full Nut   |                     |                          |              |
| 3         | 37AD-35030     | 1              | 起动机继电器<br>Starter Relay   |                     |                          |              |
| 4         | 37AD-35010     | 1              | 主电源继电器<br>Primary Power Supply Relay  |                     |                          |              |
| 5         | Q40108         | 2              | 平垫圈<br>Plate Washer   |                     |                          |              |
| 6         | Q40308         | 2              | 弹簧垫圈<br>Spring Washer   |                     |                          |              |
| 7         | Q340B08        | 2              | I 型六角螺母<br>Hexagon Full Nut   |                     |                          |              |

## 音响总成 / AUDIO ASSEMBLY

37-J

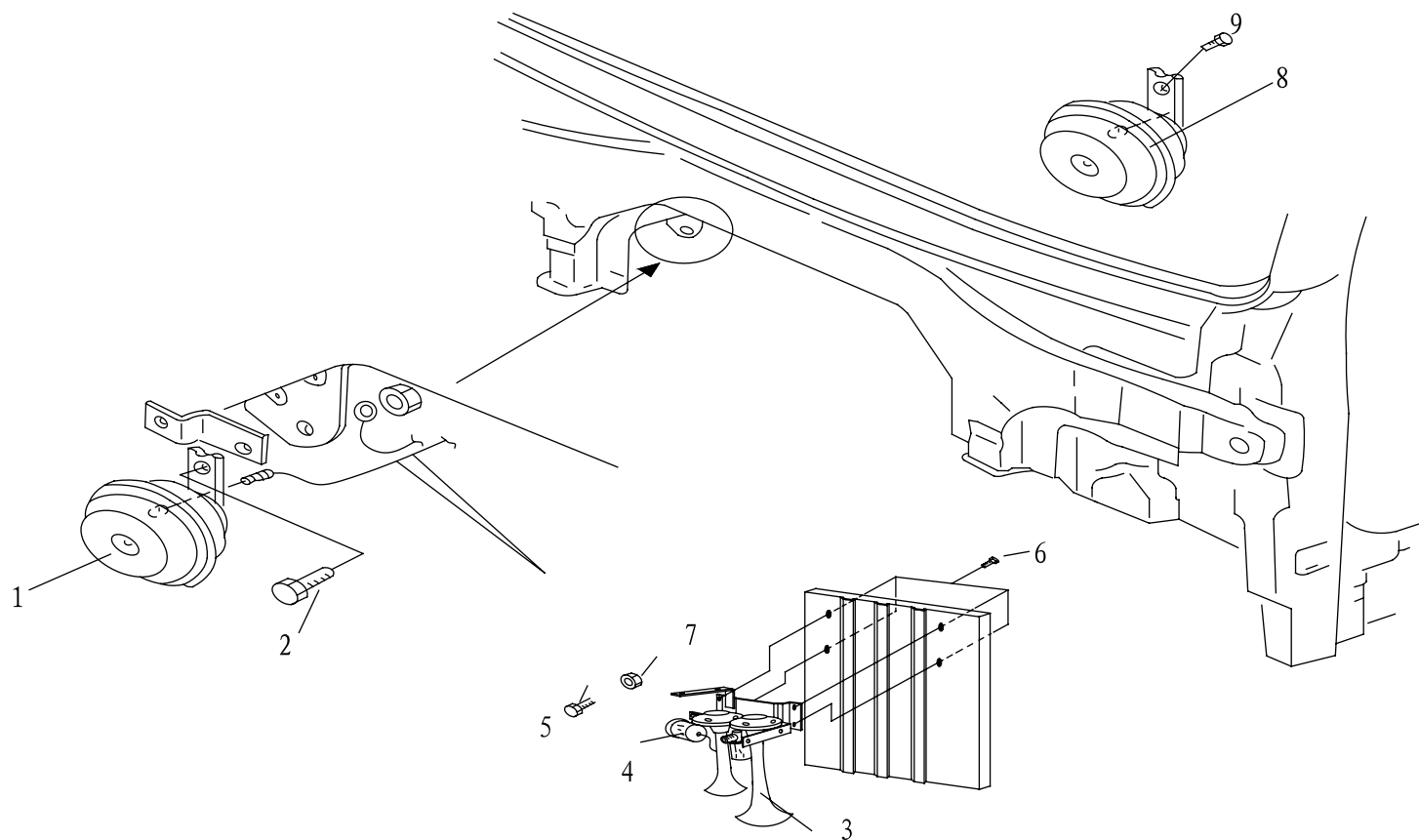




| 序号<br>No. | 件号<br>Part No. | 数量<br>Quantity | 名称<br>Name  | 规格<br>Specification | 适用产品<br>Products Applied | 备注<br>Remark |
|-----------|----------------|----------------|---|---------------------|--------------------------|--------------|
| 1         | 37AD-65014     | 1              | 收音机天线<br>Radio Antenna  | 2000MM              | 平顶车<br>Flat Roof Vehicle |              |
|           | 37GD-65014     | 1              | 收音机天线<br>Radio Antenna  | 2250MM              | 高顶车<br>High Roof Vehicle |              |
| 2         | Q2140520       | 2              | 十字槽盘头螺钉 (天线自带)<br>Cross Recessed Pan Head Screw<br>(Included In Antenna)          |                     |                          |              |
| 3         | Q2360412       | 4              | 十字槽盘头螺钉、弹簧垫圈和平垫圈组合件<br>Cross Recessed Pan Head Screw W/Spring And<br>Plate Washer |                     |                          |              |
| 4         | 37AD-65010     | 1              | CD 机<br>CD Player   |                     |                          | 选装 Option    |
|           | 37AD-65070     | 1              | 卡带机<br>Tape Player  |                     |                          |              |
|           | 37AD-65080     | 1              | 音响总成 (mp3)<br>Audio Assembly(Mp3)   |                     |                          | 选装 Option    |
|           | 37AD-65081     | 1              | U 盘 (mp3)<br>Memory Stick (Mp3)   |                     |                          | 选装 Option    |
| 5         | 36AD-12010     | 2              | 扬声器<br>Speaker  |                     |                          |              |
| 6         | Q2714816       | 6              | 十字槽盘头自攻螺钉<br>Cross Recessed Pan Head Self-Tapping Screw                           |                     |                          |              |

## 电、气喇叭、蜂鸣器装置 / ELECTRIC HORN, AIR HORN, BUZZER

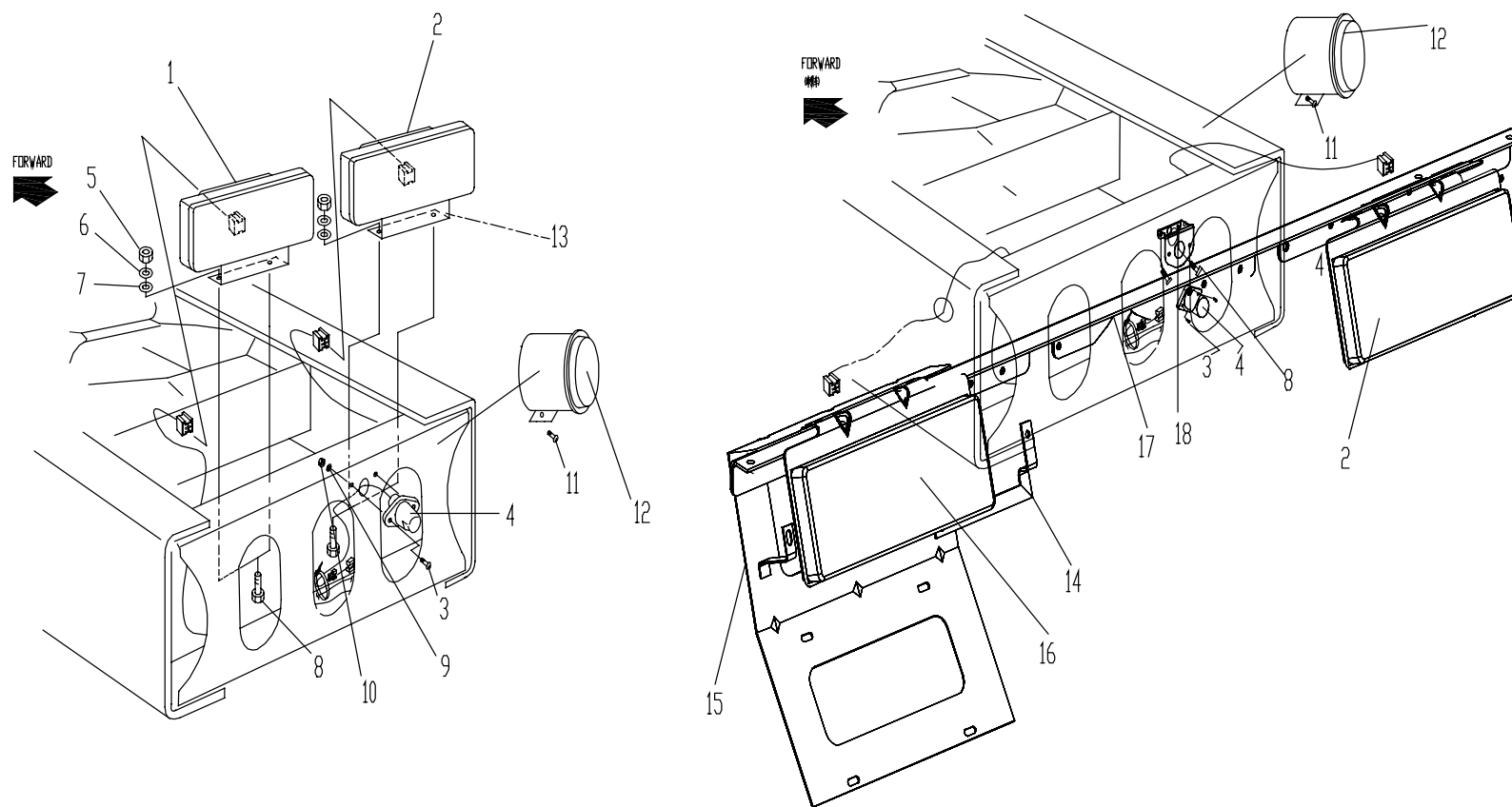
37-K



| 序号<br>No. | 件号<br>Part No. | 数量<br>Quantity | 名称<br>Name   | 规格<br>Specification | 适用产品<br>Products Applied | 备注<br>Remark |
|-----------|----------------|----------------|--|---------------------|--------------------------|--------------|
| 1         | 37AD-21010     | 1              | 电喇叭总成<br>Electric Horn Assembly  |                     |                          |              |
| 2         | Q1460825       | 1              | 六角头螺栓、弹簧垫圈和平垫圈组合件<br>Hexagon Head Combination Bolt W/Spring And Plate Washer |                     |                          |              |
| 3         | 37AD-21020     | 1              | 气喇叭总成<br>Air Horn Assembly   |                     |                          |              |
| 4         | 36AD-11020     | 1              | 翻转蜂鸣器<br>Overturning Buzzer  |                     |                          |              |
| 5         | Q1460820       | 1              | 六角头螺栓、弹簧垫圈和平垫圈组合件<br>Hexagon Head Combination Bolt W/Spring And Plate Washer |                     |                          |              |
| 6         | Q1460820       | 5              | 六角头螺栓、弹簧垫圈和平垫圈组合件<br>Hexagon Head Combination Bolt W/Spring And Plate Washer |                     |                          |              |
| 7         | Q340B08        | 1              | I型六角螺母<br>Hexagon Full Nut   |                     |                          |              |
| 8         | 36AD-11030     | 1              | 警告蜂鸣器<br>Warning Buzzer  |                     |                          |              |
| 9         | Q1420616       | 1              | 六角头螺栓、弹簧垫圈和平垫圈组合件<br>Hexagon Head Combination Bolt W/Spring And Plate Washer |                     |                          |              |

## 车尾灯，蜂鸣器装置 / TAILLAMP, BUZZER

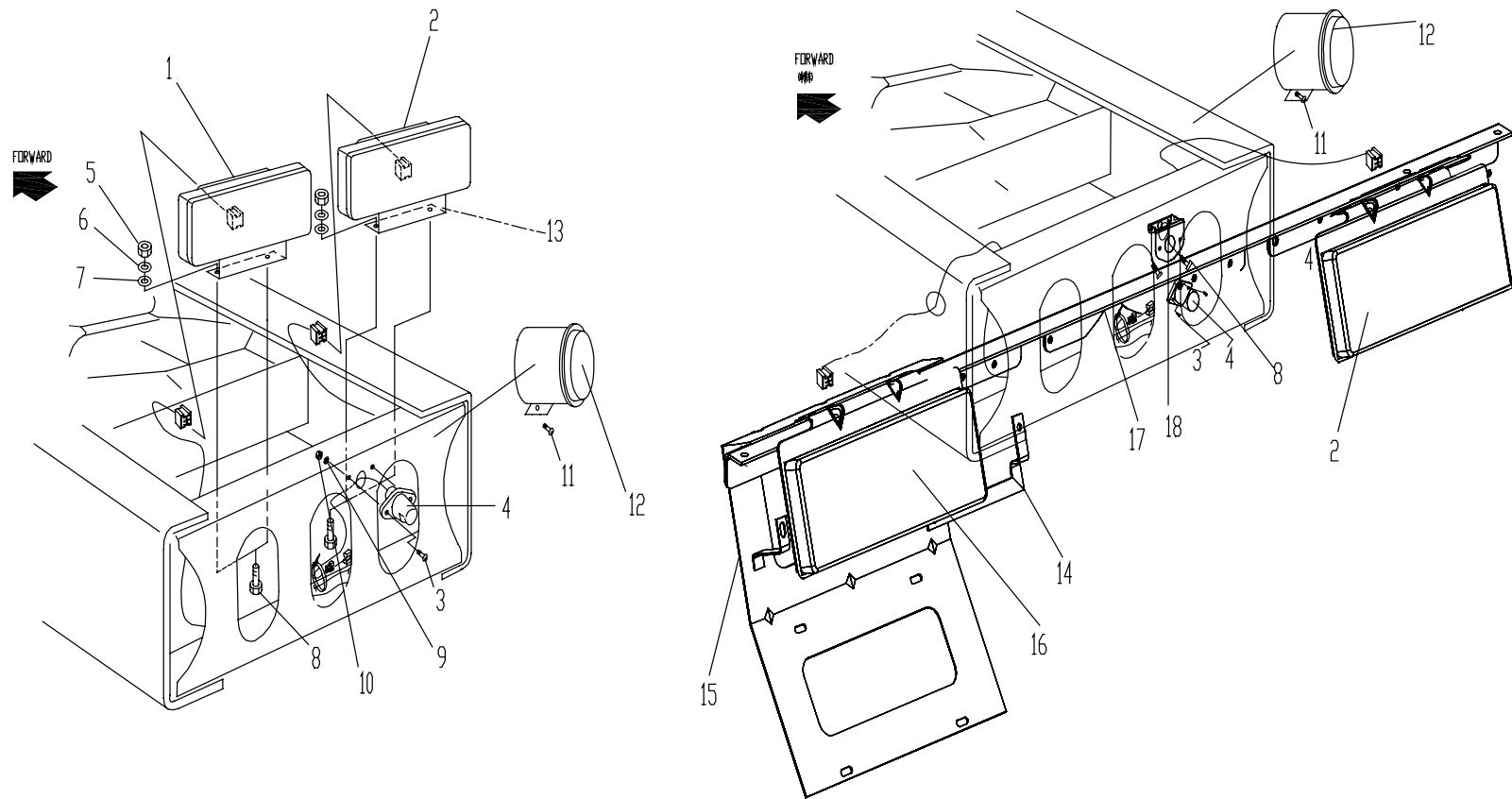
37-L



| 序号<br>No. | 件号<br>Part No. | 数量<br>Quantity | 名称<br>Name  | 规格<br>Specification | 适用产品<br>Products Applied | 备注<br>Remark |
|-----------|----------------|----------------|---|---------------------|--------------------------|--------------|
| 1         | 37AD-73010     | 1              | 左后组合灯总成<br>Rear Combination Lamp Assembly LH  |                     |                          |              |
| 2         | 37AD-73020     | 1              | 右后组合灯总成<br>Rear Combination Lamp Assembly RH  |                     |                          |              |
| 3         | Q2140616       | 3              | 十字槽盘头螺钉 (牌照灯自带)<br>Cross Recessed Pan Head Screw<br>(Included In License Plate Light) |                     |                          |              |
| 4         | 37AD-37010     | 1              | 牌照灯<br>License Plate Light  |                     |                          |              |
| 5         | Q340B08        | 4              | I 型六角螺母<br>Hexagon Full Nut   |                     |                          |              |
| 6         | Q40308         | 4              | 弹簧垫圈<br>Spring Washer   |                     |                          |              |
| 7         | Q40108         | 4              | 平垫圈<br>Plate Washer   |                     |                          |              |
| 8         | Q1460830       | 6              | 六角头螺栓弹簧垫圈和平垫圈组合件<br>Hexagon Head Combination Bolt W/Spring And<br>Plate Washer        |                     |                          |              |
| 9         | Q40106         | 2              | 平垫圈 (牌照灯自带)<br>Plate Washer(Included In License Plate Light)                          |                     |                          |              |
| 10        | Q1460630       | 2              | 六角头螺栓弹簧垫圈和平垫圈组合件<br>Hexagon Head Combination Bolt W/Spring And<br>Plate Washer        |                     |                          |              |
| 11        | Q2610830       | 1              | 六角头自攻锁紧螺钉<br>Hexagon Self-Tapping Lock Screw  |                     |                          |              |
| 12        | 36AD-11010     | 1              | 倒车蜂鸣器<br>Backing Buzzer   |                     |                          |              |
| 13        | 37AD-34059     | 2              | 后组合灯支架<br>Rear Combination Lamp Bracket   |                     |                          |              |

## 车尾灯，蜂鸣器装置 / TAILLAMP, BUZZER

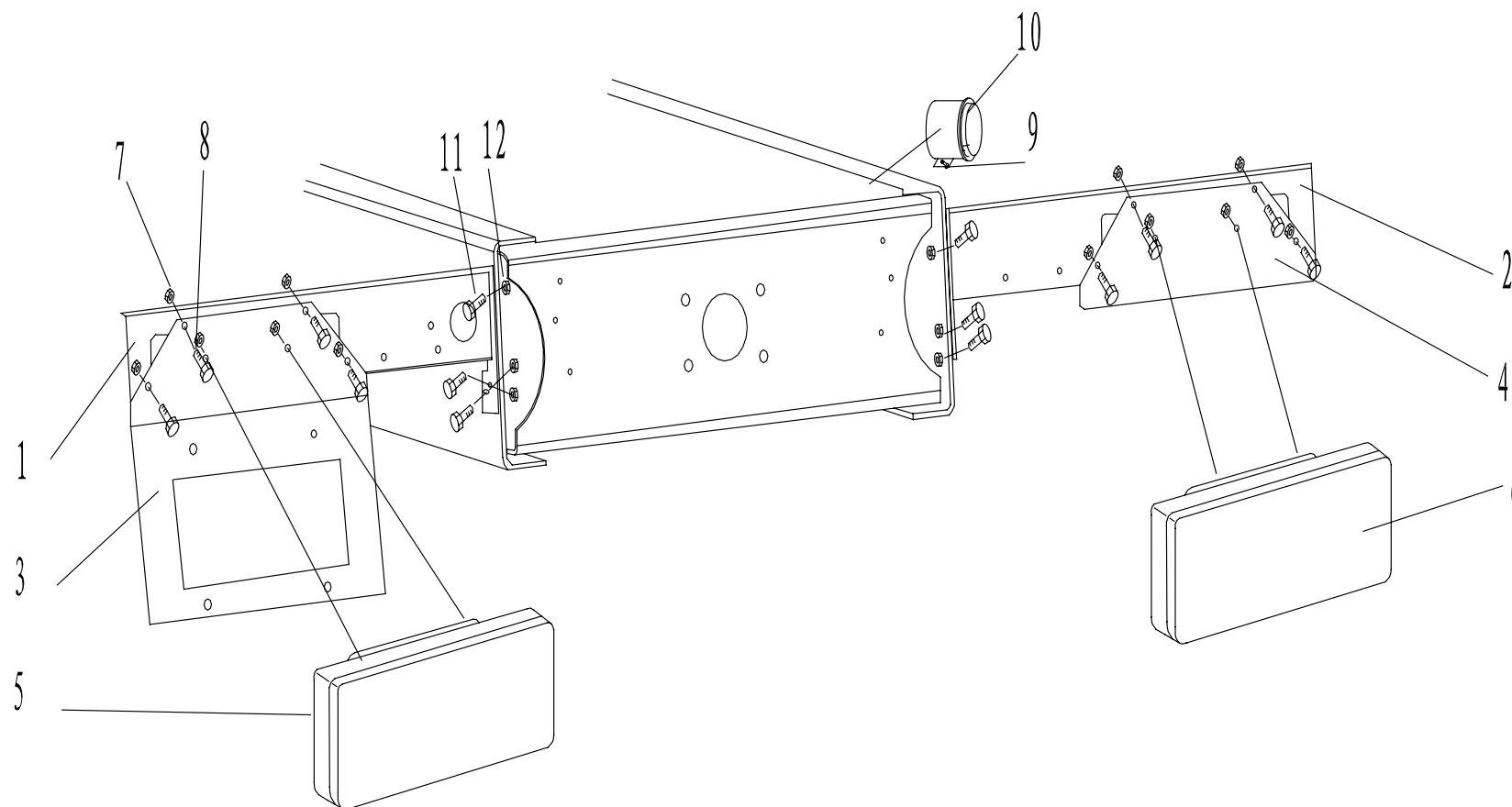
37-L



| 序号<br>No. | 件号<br>Part No. | 数量<br>Quantity | 名称<br>Name  | 规格<br>Specification | 适用产品<br>Products Applied                              | 备注<br>Remark |
|-----------|----------------|----------------|---|---------------------|---|--------------|
| 14        | 37AD-34090     | 1              | 支架<br>Bracket   |                     |   |              |
| 15        | 37AD-34085     | 1              | 牌照灯支架<br>License Plate Light Bracket  |                     | 牌照灯安装在左侧<br>License Plate Light Equiped On The Left   |              |
| 16        | 37AD-73011     | 1              | 左后组合灯总成（带牌照灯）<br>Rear Combination Lamp Assembly LH<br>(W/License Plate Light) |                     | 组合灯带牌照灯<br>Combination Lamp W/ License Plate Light    |              |
| 17        | 37ADQ-34060    | 1              | 牵引车尾灯横梁<br>Tractor Taillamp Beam  |                     | 牵引车专用<br>Only For Tractor                             |              |
| 18        | 37ADQ-34064    |                | 牌照灯支架<br>License Plate Light Bracket  |                     | 牌照灯安装在中间<br>License Plate Light Equiped In The Middle |              |

## 车尾灯，蜂鸣器装置 / TAILLAMP, BUZZER

37-M

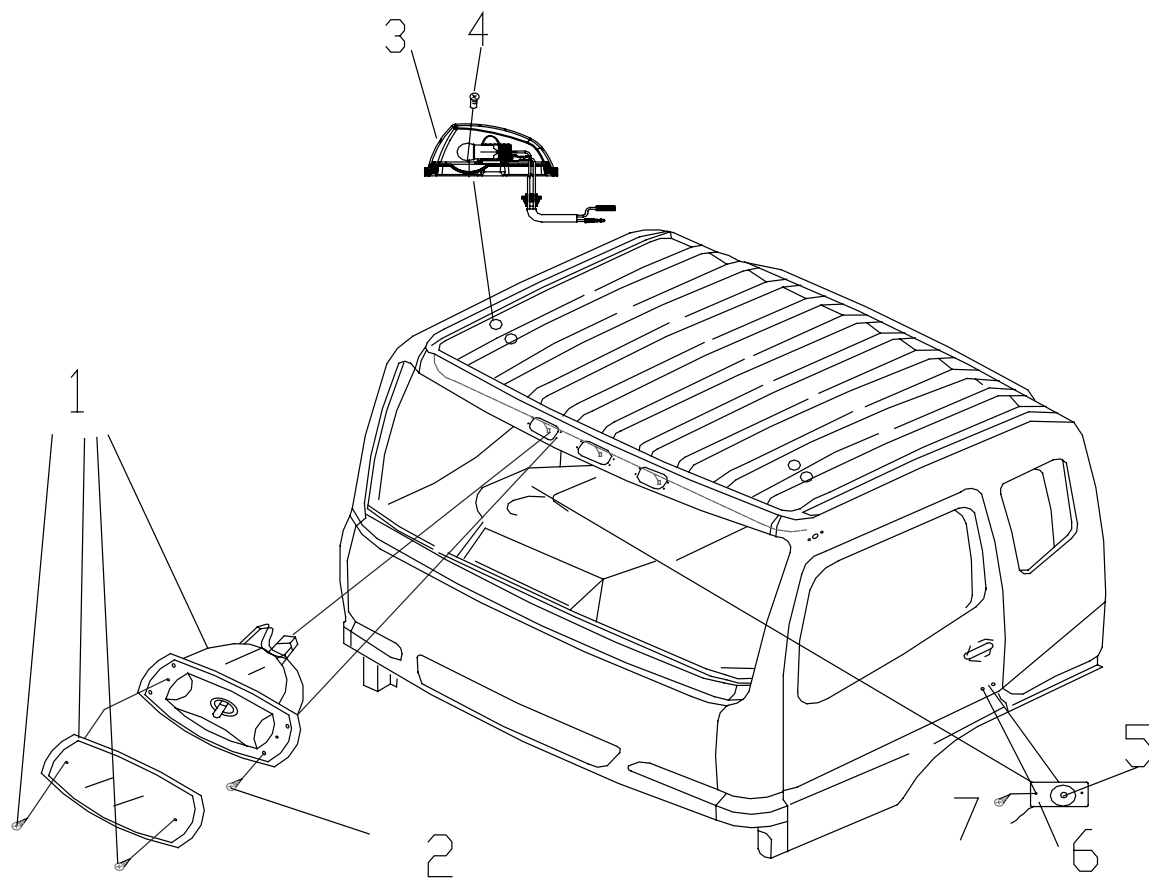




| 序号<br>No. | 件号<br>Part No. | 数量<br>Quantity | 名称<br>Name   | 规格<br>Specification | 适用产品<br>Products Applied | 备注<br>Remark |
|-----------|----------------|----------------|--|---------------------|--------------------------|--------------|
| 1         | 37AHD-34004    | 1              | 尾灯横梁（左）总成<br>Taillamp Beam Assembly LH                         |                     |                          |              |
| 2         | 37AHD-34006    | 1              | 尾灯横梁（右）总成<br>Taillamp Beam Assembly RH                         |                     |                          |              |
| 3         | 37AHD-34008    | 1              | 尾灯支架（左）<br>Taillamp Bracket LH                                 |                     |                          |              |
| 4         | 37AHD-34009    | 1              | 尾灯支架（右）<br>Taillamp Bracket RH                                 |                     |                          |              |
| 5         | 37AD-73012     | 1              | 左后组合灯总成 -2<br>Rear Combination Lamp Assembly LH-2              |                     |                          |              |
| 6         | 37AD-73022     | 1              | 右后组合灯总成 -2<br>Rear Combination Lamp Assembly RH-2              |                     |                          |              |
| 7         | Q340B08        | 12             | I 型六角螺母<br>Hexagon Full Nut                                    |                     |                          |              |
| 8         | Q1420825       | 8              | 六角头螺栓和弹簧垫圈组合件<br>Hexagon Head Combination Bolt W/Spring Washer |                     |                          |              |
| 9         | Q2610830       | 1              | 六角头自攻锁紧螺钉<br>Hexagon Self-Tapping Lock Screw                   |                     |                          |              |
| 10        | 36AD-11010     | 1              | 倒车蜂鸣器<br>Backing Buzzer  |                     |                          |              |
| 11        | Q1421035       | 6              | 六角头螺栓和弹簧垫圈组合件<br>Hexagon Head Combination Bolt W/Spring Washer |                     |                          |              |
| 12        | Q340B10        | 6              | I 型六角螺母<br>Hexagon Full Nut                                    |                     |                          |              |

## 示廓灯, 车速灯 / CLEARANCE LIGHT, SPEED LIGHT

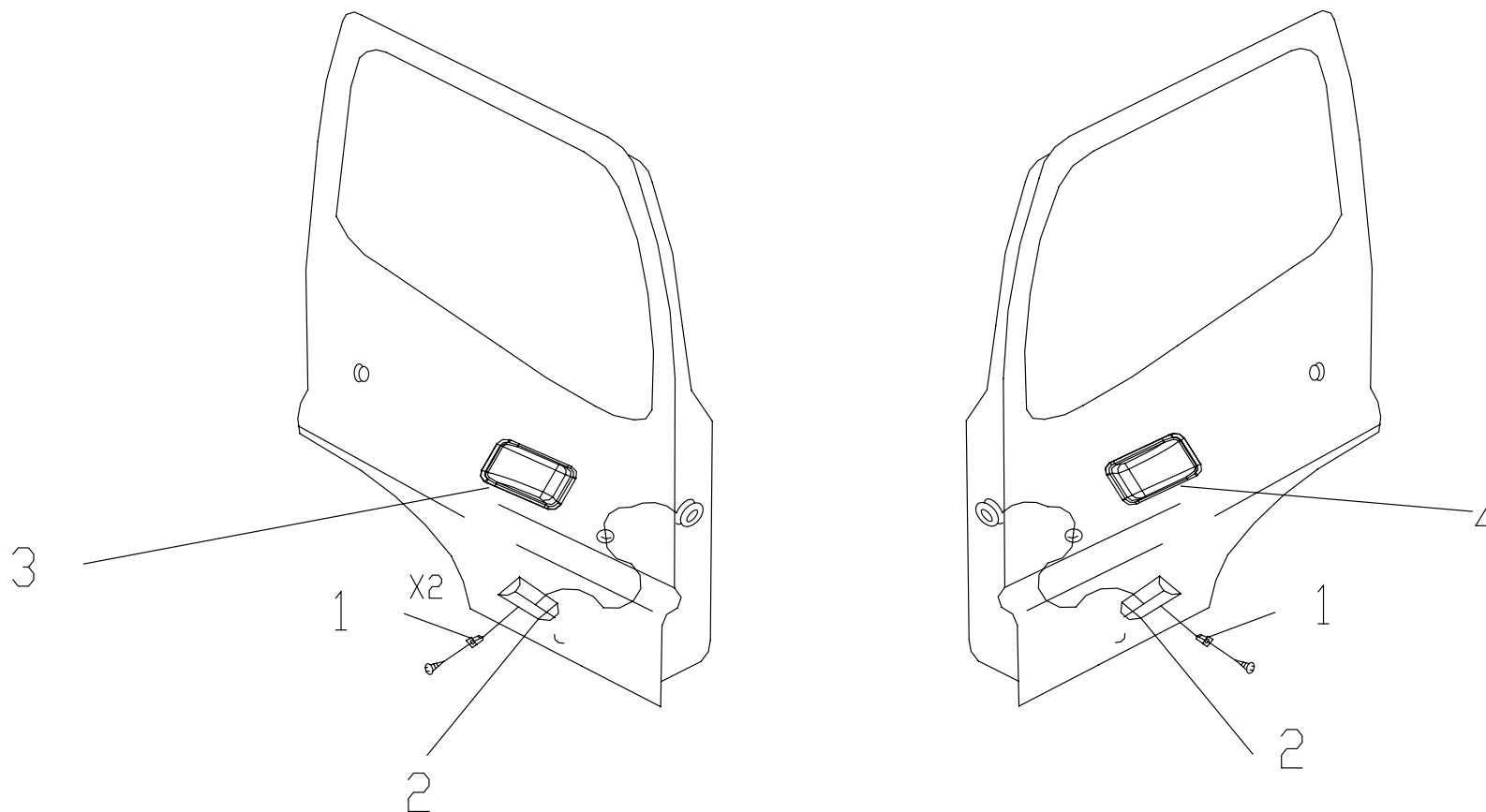
37-N



| 序号<br>No. | 件号<br>Part No. | 数量<br>Quantity | 名称<br>Name  | 规格<br>Specification | 适用产品<br>Products Applied | 备注<br>Remark |
|-----------|----------------|----------------|---|---------------------|--------------------------|--------------|
| 1         | 37AD-62010     | 3              | 车速灯总成<br>Speed Light Assembly   |                     |                          |              |
| 2         | Q2140620       | 12             | 十字槽盘头螺钉<br>Cross Recessed Pan Head Screw  |                     |                          |              |
| 3         | 37AD-31010     | 2              | 示廓灯总成<br>Clearance Light Assembly   |                     |                          |              |
| 4         | Q2140635       | 4              | 十字槽盘头螺钉 (示廓灯自带)<br>Cross Recessed Pan Head Screw<br>(Included In Clearance Light) |                     |                          |              |
| 5         | 37AD-58010     | 2              | 车门限位开关<br>Door Limiting Switch  |                     |                          |              |
| 6         | 37AD-58011     | 2              | 车门限位开关橡胶护套<br>Door Limiting Switch Rubber Cover                                   |                     |                          |              |
| 7         | Q2540616       | 2              | 十字槽沉头螺钉<br>Cross Recessed Countersunk Head Screw                                  |                     |                          |              |

## 侧转向灯，踏步灯装置 / SIDE TURN LIGHT, STEP LAMP

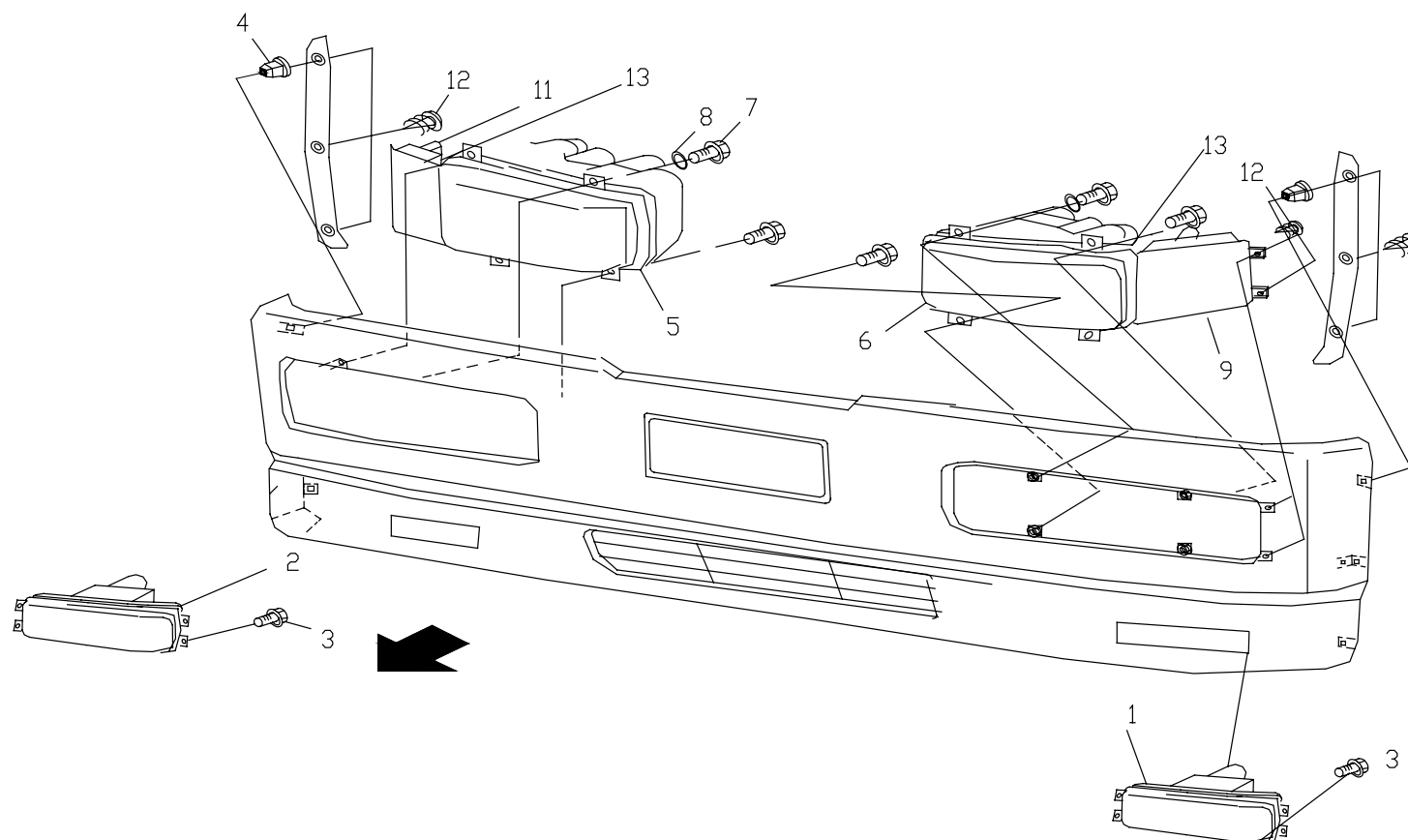
## 37-0



| 序号<br>No. | 件号<br>Part No. | 数量<br>Quantity | 名称<br>Name  | 规格<br>Specification | 适用产品<br>Products Applied | 备注<br>Remark |
|-----------|----------------|----------------|---|---------------------|--------------------------|--------------|
| 1         | Q2722919       | 4              | 十字槽盘头自攻螺钉 (踏步灯自带)<br>Cross Recessed Pan Head Self-Tapping Screw<br>(Included In Step Light) |                     |                          |              |
| 2         | 37AD-64010     | 2              | 踏步灯总成<br>Step Lamp Assembly   |                     |                          |              |
| 3         | 37AD-59010     | 1              | 左侧转向灯总成<br>Side Turn Light Assembly LH  |                     |                          |              |
| 4         | 37AD-59020     | 1              | 右侧转向灯总成<br>Side Turn Light Assembly RH  |                     |                          |              |

## 前组合灯, 雾灯 / FRONT COMBINATION LIGHT, FOG LIGHT

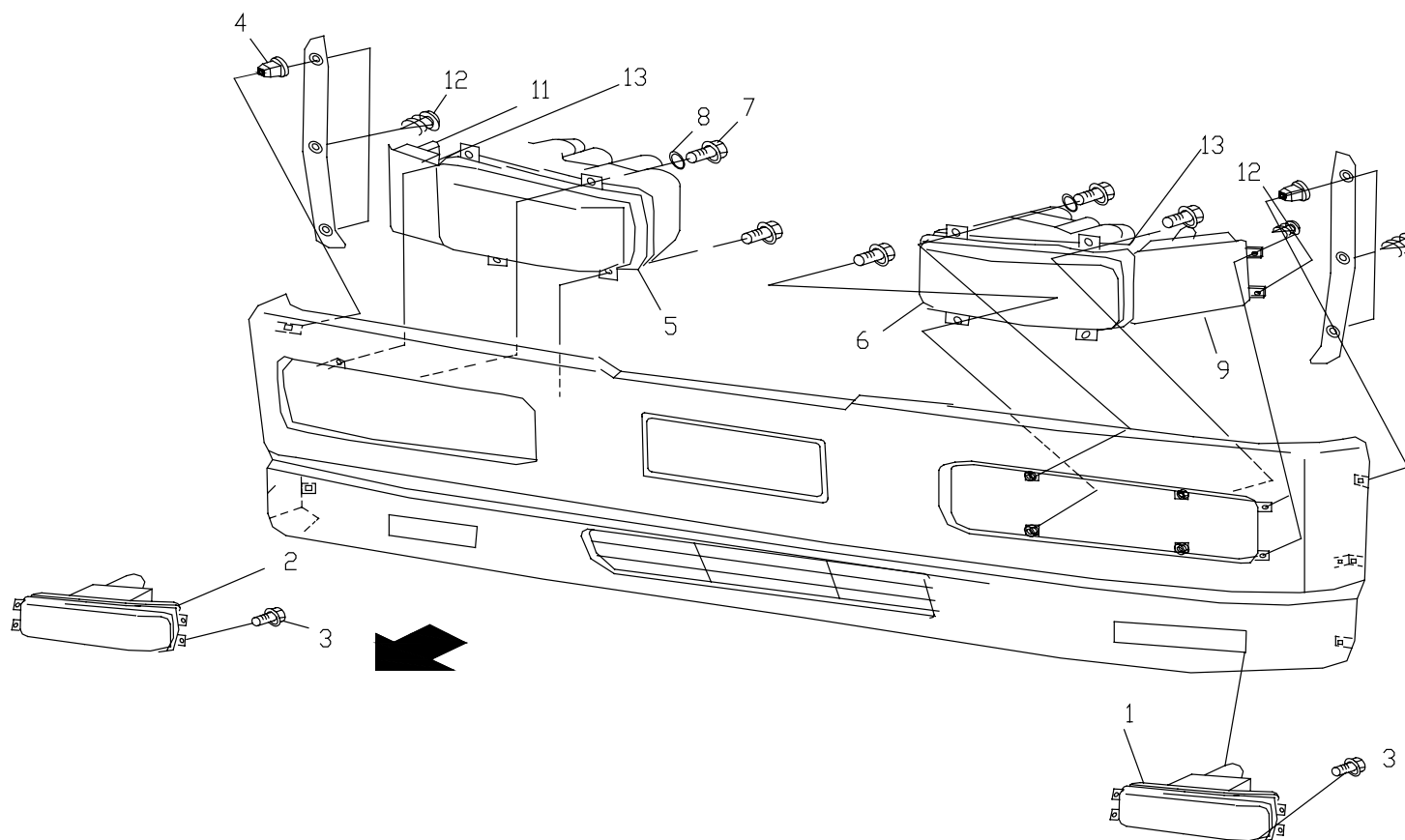
37-P



| 序号<br>No. | 件号<br>Part No. | 数量<br>Quantity | 名称<br>Name   | 规格<br>Specification | 适用产品<br>Products Applied | 备注<br>Remark |
|-----------|----------------|----------------|--|---------------------|--------------------------|--------------|
| 1         | 37AD-72050     | 1              | 左前雾灯总成<br>Front Fog Light Assembly LH  |                     |                          |              |
|           | 37AD-72030     | 1              | 左前雾灯总成 (欧款)<br>Front Fog Light Assembly LH (Europe)                            |                     | 欧款车型<br>Europe Model     |              |
|           | 37AD-72010     | 1              | 左前雾灯总成 (窄体)<br>Front Fog Light Assembly LH (Narrow Cab )                       |                     |                          |              |
| 2         | 37AD-72060     | 1              | 右前雾灯总成<br>Front Fog Light Assembly RH  |                     |                          |              |
|           | 37AD-72040     | 1              | 右前雾灯总成 (欧款)<br>Front Fog Light Assembly RH (Europe )                           |                     | 欧款车型<br>Europe Model     |              |
|           | 37AD-72020     | 1              | 右前雾灯总成 (窄体)<br>Front Fog Light Assembly RH (Narrow Cab )                       |                     |                          |              |
| 3         | Q1460625       | 8              | 十字槽盘头螺钉、弹簧垫圈和平垫圈组合件<br>Cross Recessed Pan Head Screw W/Spring And Plate Washer |                     |                          |              |
| 4         | 53A-03123      | 6              | 方形塑料螺母 C<br>Square Plastic Nut C   |                     |                          |              |
| 5         | 37AD-11020     | 1              | 右前照灯总成<br>Head Light Assembly RH   |                     | 平顶车型<br>Flat Roof Model  |              |
|           | 37AD-11040     | 1              | 右前照灯总成 (窄体)<br>Head Light Assembly RH (Narrow Cab )                            |                     | 窄体车型<br>NARROW Cab Model |              |
|           | 37AD-11060     | 1              | 右前照灯总成 (右驾)<br>Head Light Assembly RH (RHD )                                   |                     | 右驾车型<br>RHD Model        |              |
|           | 37AD-11080     | 1              | 右前照灯总成 (前调)<br>Head Light Assembly RH (Front Regulator )                       |                     | 欧款车型<br>Europe Model     |              |

## 前组合灯, 雾灯 / FRONT COMBINATION LIGHT, FOG LIGHT

37-P

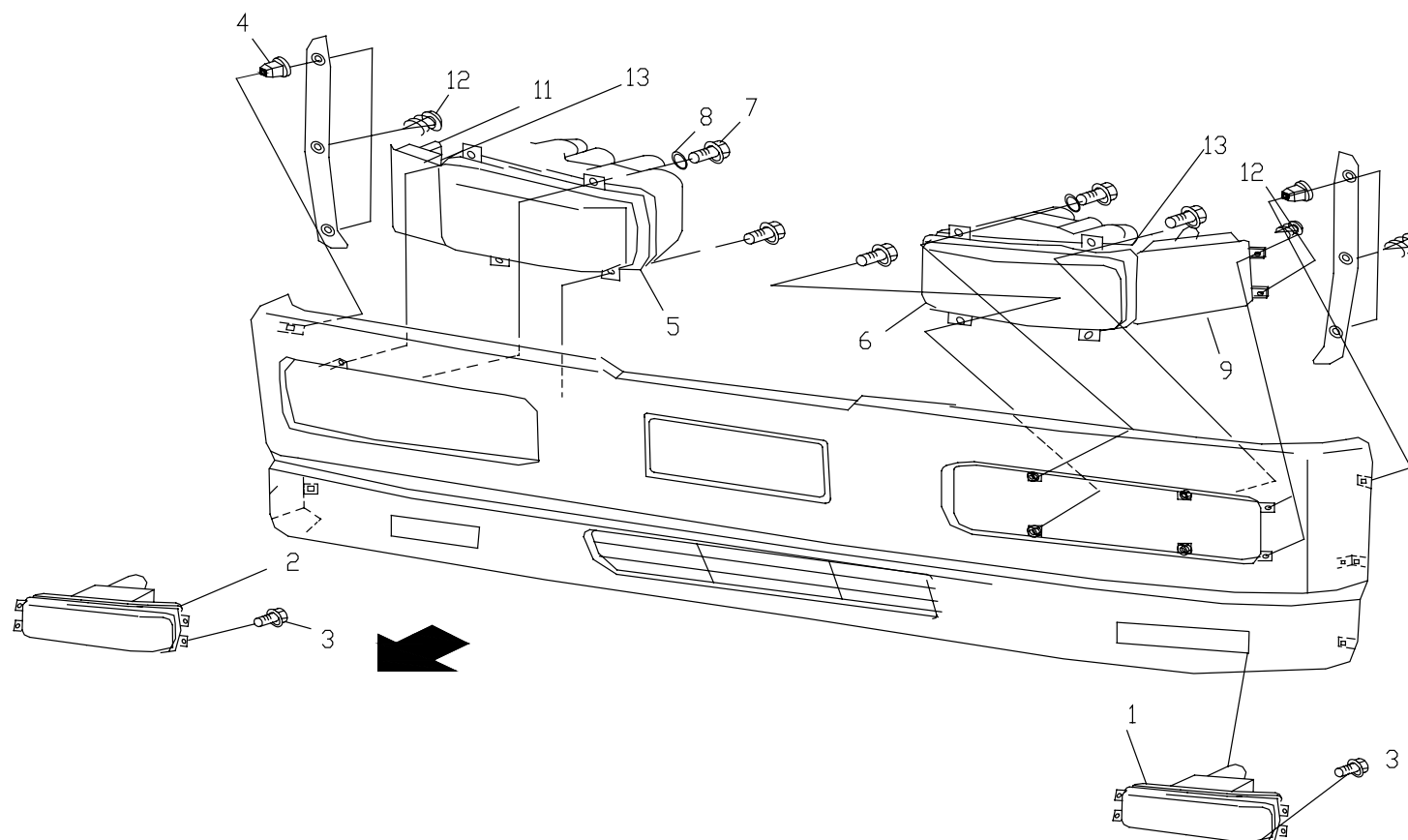




| 序号<br>No. | 件号<br>Part No. | 数量<br>Quantity | 名称<br>Name   | 规格<br>Specification | 适用产品<br>Products Applied | 备注<br>Remark |
|-----------|----------------|----------------|--|---------------------|--------------------------|--------------|
| 6         | 37AD-11010     | 1              | 左前照灯总成<br>Head Light Assembly LH                               |                     | 平顶车型<br>Flat Roof Model  |              |
|           | 37AD-11030     | 1              | 左前照灯总成 (窄体)<br>Head Light Assembly LH (Narrow Cab )            |                     | 窄体车型<br>NARROW Cab Model |              |
|           | 37AD-11050     | 1              | 左前照灯总成 (右驾)<br>Head Light Assembly LH (RHD )                   |                     | 右驾车型<br>RHD Model        |              |
|           | 37AD-11070     | 1              | 左前照灯总成 (前调)<br>Head Light Assembly LH (Front Regulator )       |                     | 欧款车型<br>Europe Model     |              |
| 7         | Q1420820       | 8              | 六角头螺栓和弹簧垫圈组合件<br>Hexagon Head Combination Bolt W/Spring Washer |                     |                          |              |
| 8         | Q40208         | 8              | 大垫圈<br>Big Washer  |                     |                          |              |

## 前组合灯, 雾灯 / FRONT COMBINATION LIGHT, FOG LIGHT

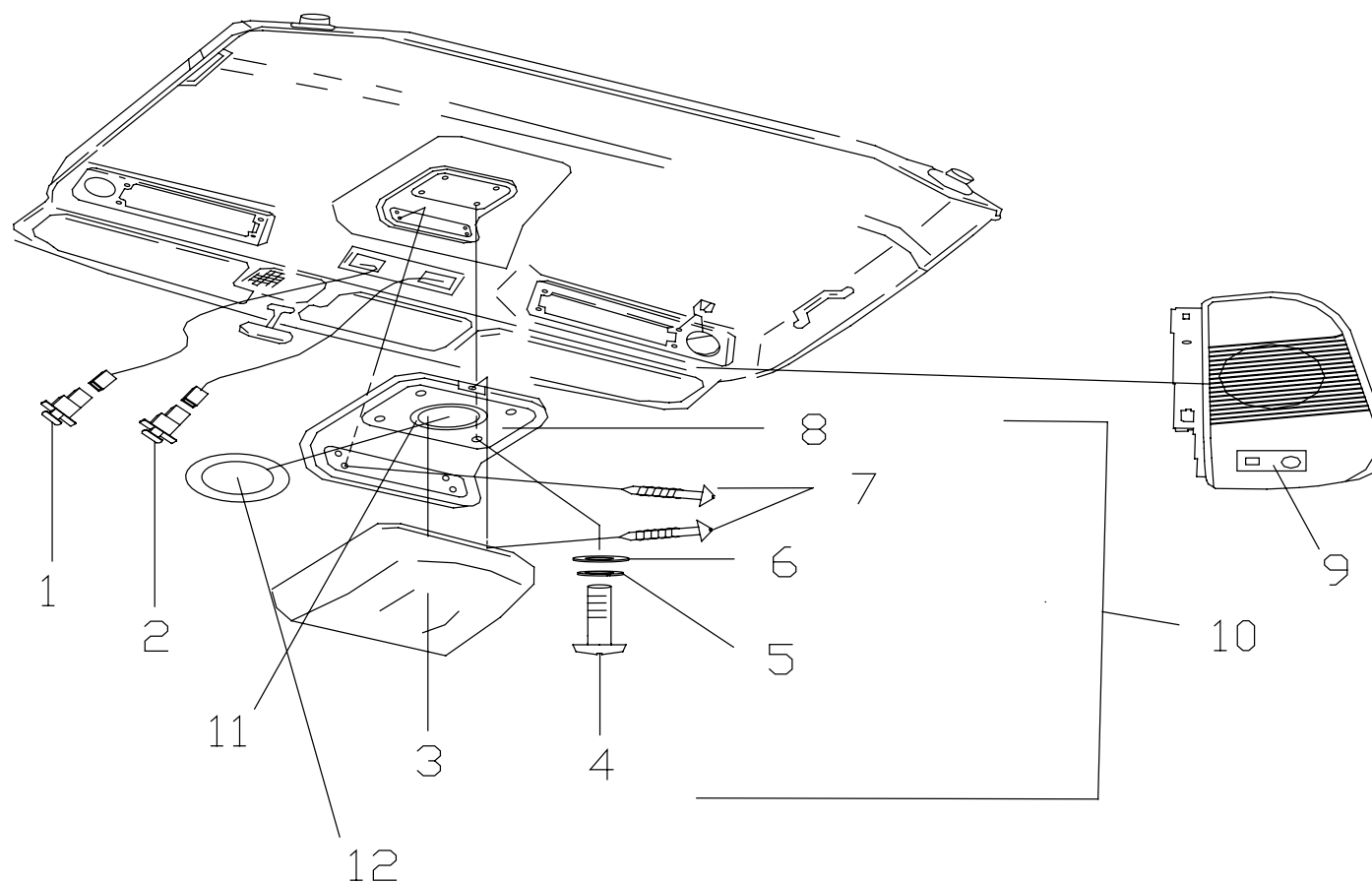
37-P



| 序号<br>No. | 件号<br>Part No. | 数量<br>Quantity | 名称<br>Name  | 规格<br>Specification | 适用产品<br>Products Applied | 备注<br>Remark |
|-----------|----------------|----------------|---|---------------------|--------------------------|--------------|
| 10        | 37AD-12010     | 1              | 左组合前转向灯总成<br>Combination Front Turn Light Assembly LH                       |                     |                          |              |
|           | 37AD-12030     | 1              | 左组合前转向灯总成 (窄体)<br>Combination Front Turn Light Assembly LH<br>(Narrow Cab ) |                     | 窄体车型<br>Narrow Cab Model |              |
| 11        | 37AD-12020     | 1              | 右组合前转向灯总成<br>Combination Front Turn Light Assembly RH                       |                     |                          |              |
|           | 37AD-12040     | 1              | 右组合前转向灯总成 (窄体)<br>Combination Front Turn Light Assembly RH<br>(Narrow Cab ) |                     | 窄体车型<br>Narrow Cab Model |              |
| 12        | Q2735513       | 4              | 十字槽盘头自攻螺钉<br>Cross Recessed Pan Head Self-Tapping Screw                     |                     |                          |              |
| 13        | Q2725516       | 4              | 十字槽盘头自攻螺钉<br>Cross Recessed Pan Head Self-Tapping Screw                     |                     |                          |              |

室内荧光灯，阅读灯（平顶车）  
INDOOR FLUORESCENT LAMP, READING LAMP( FLAT ROOF VEHICLE)

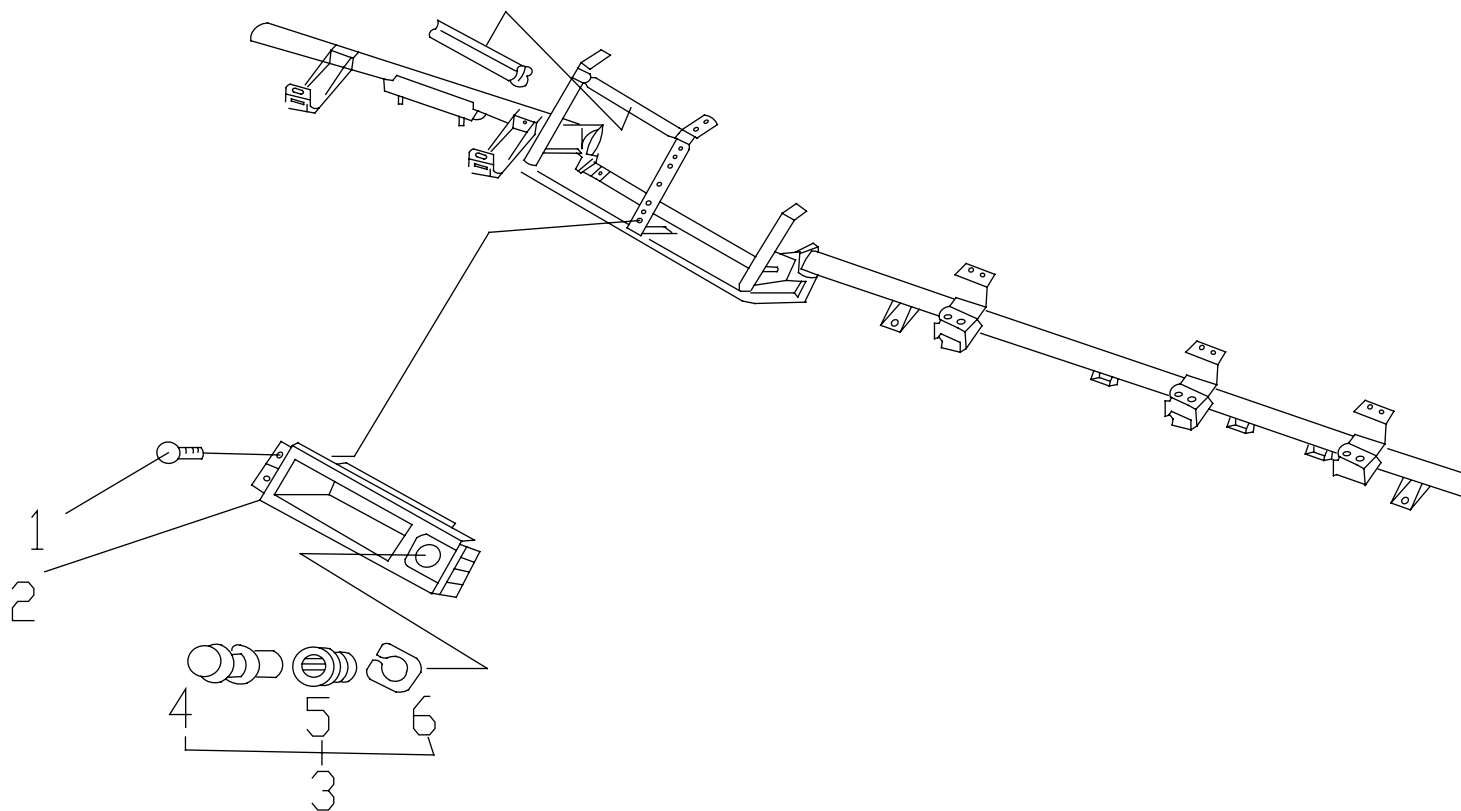
37-Q



| 序号<br>No. | 件号<br>Part No. | 数量<br>Quantity | 名称<br>Name  | 规格<br>Specification | 适用产品<br>Products Applied | 备注<br>Remark |
|-----------|----------------|----------------|---|---------------------|--------------------------|--------------|
| 1         | 37AD-86011     | 1              | 荧光灯开关<br>Fluorescent Lamp Switch                        |                     |                          |              |
| 2         | 37AD-86012     | 1              | 门灯开关<br>Door Light Switch                               |                     |                          |              |
| 3         | 37AD-14013     | 1              | 荧光灯罩<br>Fluorescent Lamp Cover                          |                     |                          |              |
| 4         | Q2140620       | 4              | 十字槽盘头螺钉<br>Cross Recessed Pan Head Screw                |                     |                          |              |
| 5         | Q40306         | 4              | 弹簧垫圈<br>Spring Washer                                   |                     |                          |              |
| 6         | Q40106         | 4              | 平垫圈<br>Plate Washer                                     |                     |                          |              |
| 7         | Q2724816       | 5              | 十字槽盘头自攻螺钉<br>Cross Recessed Pan Head Self-Tapping Screw |                     |                          |              |
| 8         | 37AD-14011     | 1              | 荧光灯底座<br>Fluorescent Lamp Base                          |                     |                          |              |
| 9         | 37AD-15010     | 1              | 阅读灯总成<br>Reading Lamp Assembly                          |                     |                          |              |
| 10        | 37AD-14010     | 1              | 荧光灯总成<br>Fluorescent Lamp Assembly                      |                     |                          |              |
| 11        | 37AD-14017     | 1              | 灯管<br>Lamp Tube   |                     |                          |              |
| 12        | 37AD-14014     | 1              | 荧光灯内盖<br>Fluorescent Lamp Inner Cover                   |                     |                          |              |

## 点烟器装置 / CIGAR LIGHTER

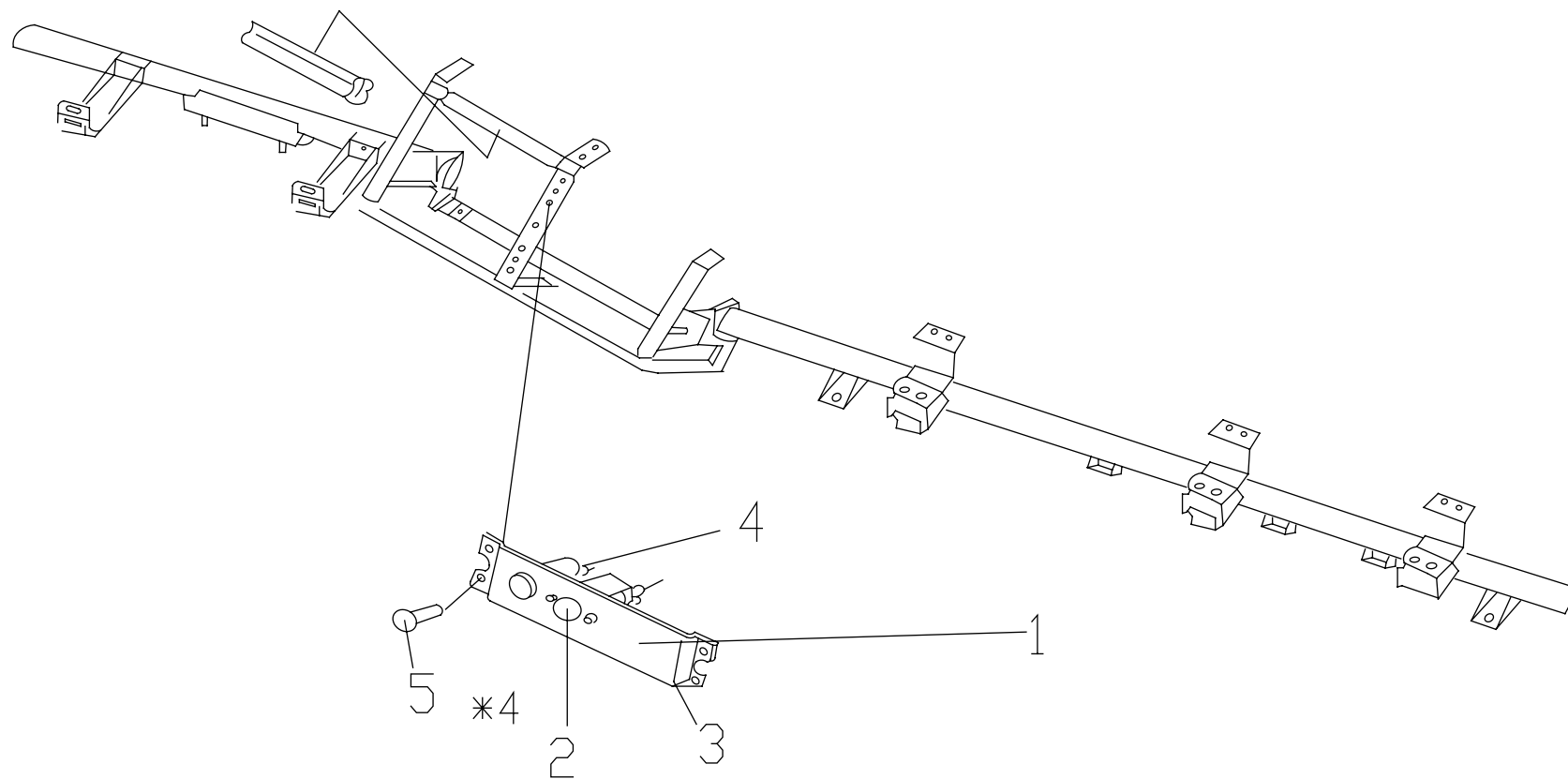
37-R



| 序号<br>No. | 件号<br>Part No. | 数量<br>Quantity | 名称<br>Name   | 规格<br>Specification | 适用产品<br>Products Applied | 备注<br>Remark |
|-----------|----------------|----------------|--|---------------------|--------------------------|--------------|
| 1         | Q2360516       | 4              | 十字槽盘头组合螺钉<br>Cross Recessed Pan Head Combination Screw |                     |                          |              |
| 2         | 53A-05190      | 1              | 点烟器置物盒<br>Cigar Lighter Storage Box                    |                     |                          |              |
| 3         | 37AD-25010     | 1              | 点烟器总成<br>Cigar Lighter Assembly                        |                     |                          |              |
| 4         | 37AD-25011     | 1              | 点烟器<br>Cigar Lighter                                   |                     |                          |              |
| 5         | 37AD-25013     | 1              | 点烟器底座<br>Cigar Lighter Base                            |                     |                          |              |
| 6         | 37AD-25017     | 1              | 点烟器底座面板<br>Cigar Lighter Base Panel                    |                     |                          |              |

## 进气加热器指示器总成 / INTAKE HEATER INDICATOR ASSEMBLY

37-S

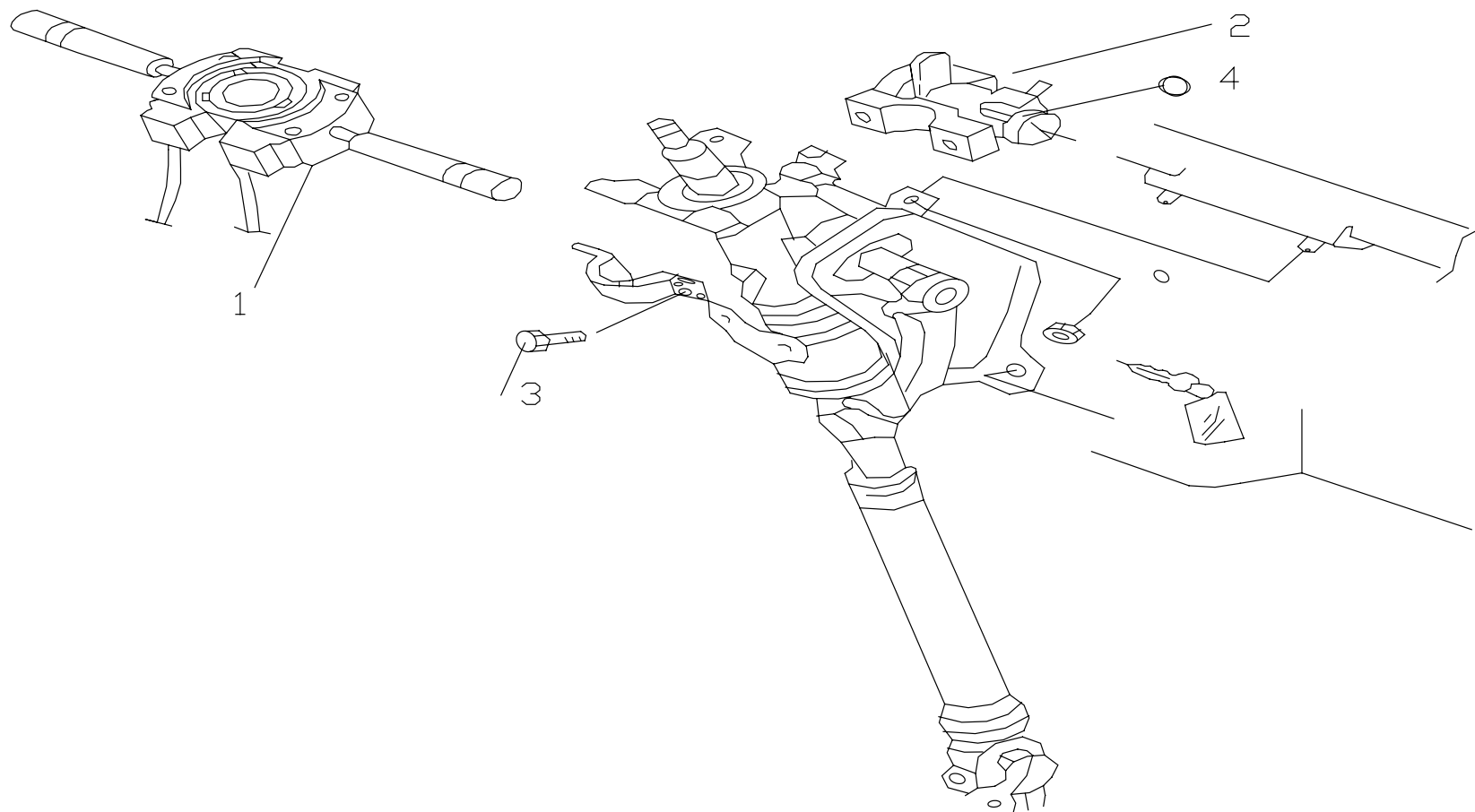




| 序号<br>No. | 件号<br>Part No. | 数量<br>Quantity | 名称<br>Name   | 规格<br>Specification | 适用产品<br>Products Applied | 备注<br>Remark |
|-----------|----------------|----------------|--|---------------------|--------------------------|--------------|
| 1         | 37AD-67010     | 1              | 进气加热器指示器总成<br>Intake Heater Indicator Assembly                           |                     |                          |              |
| 2         | 37AD-67013     | 1              | 进气加热器开关<br>Intake Heater Switch  |                     |                          |              |
| 3         | 37AD-67017     | 1              | 安装支架<br>Installation Bracket   |                     |                          |              |
| 4         | 37AD-67011     | 1              | 进气加热指示器电阻<br>Intake Heater Indicator Resistor                            |                     |                          |              |
| 5         | Q2360412       | 4              | 十字槽盘头螺钉、弹簧垫圈和平垫圈组合件<br>Cross Recessed Pan Head W/Spring And Plate Washer |                     |                          |              |

## 组合开关、点火锁装置 / COMBINATION SWITCH, IGNITION LOCK

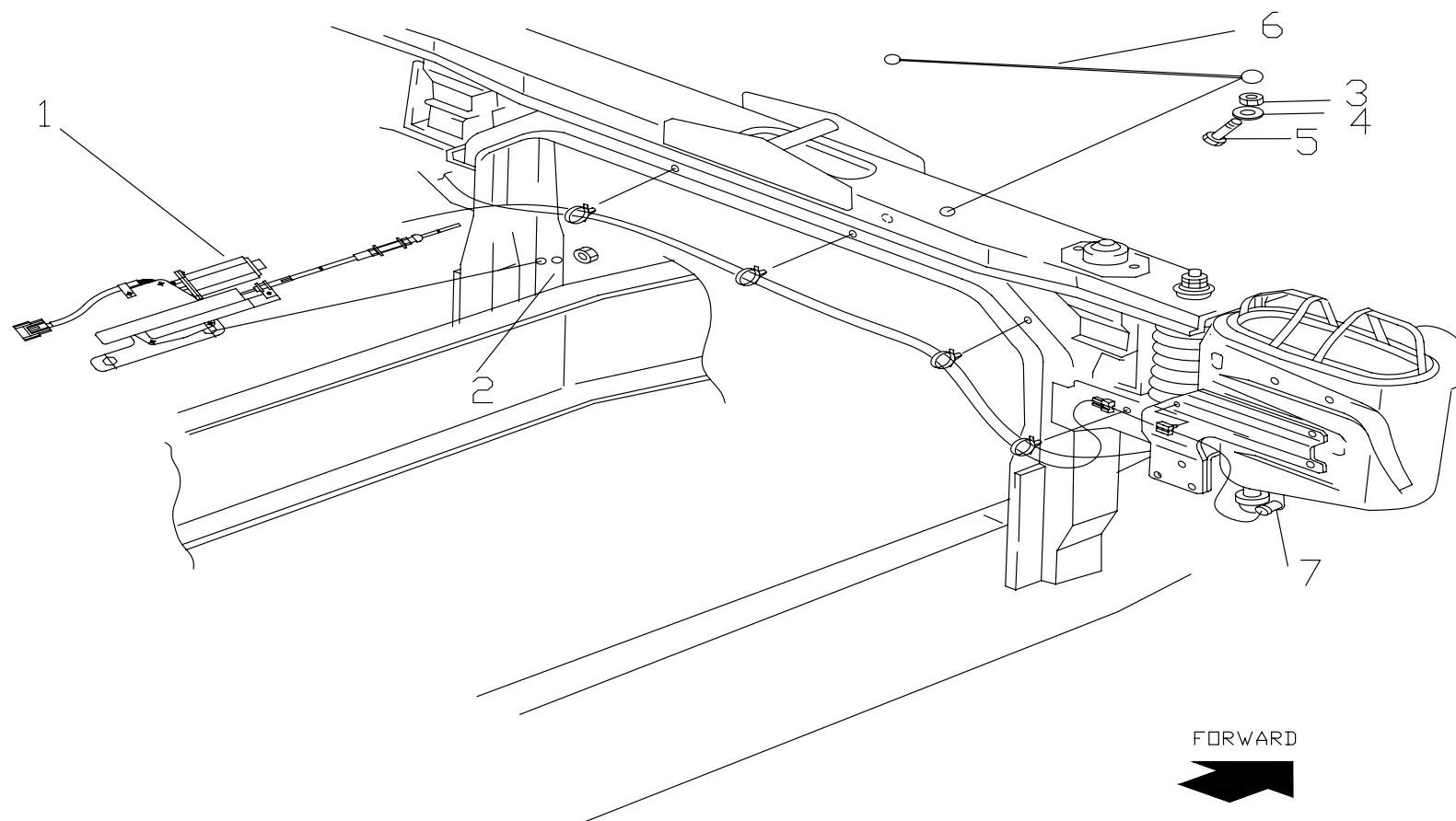
37-T



| 序号<br>No. | 件号<br>Part No. | 数量<br>Quantity | 名称<br>Name                                    | 规格<br>Specification | 适用产品<br>Products Applied | 备注<br>Remark |
|-----------|----------------|----------------|---|---------------------|--------------------------|--------------|
| 1         | 37AD-74010     | 1              | 组合开关<br>Combination Switch                    |                     |                          |              |
| 2         | 37AD-04010     | 1              | 点火锁开关总成<br>Ignition Lock Switch Assembly      |                     |                          |              |
| 3         | 37AD-04011     | 2              | 点火锁开关固定螺栓<br>Ignition Lock Switch Set Bolt    |                     |                          |              |
| 4         | 37AD-04012     | 1              | 点火锁橡胶护圈<br>Ignition Lock Rubber Retainer Ring |                     |                          |              |

熄火电机, 龙门架线束, 空气滤清传感器  
ENGINE STOP MOTOR, GANTRY WIRE HARNESS, AIR FILTER SENSOR

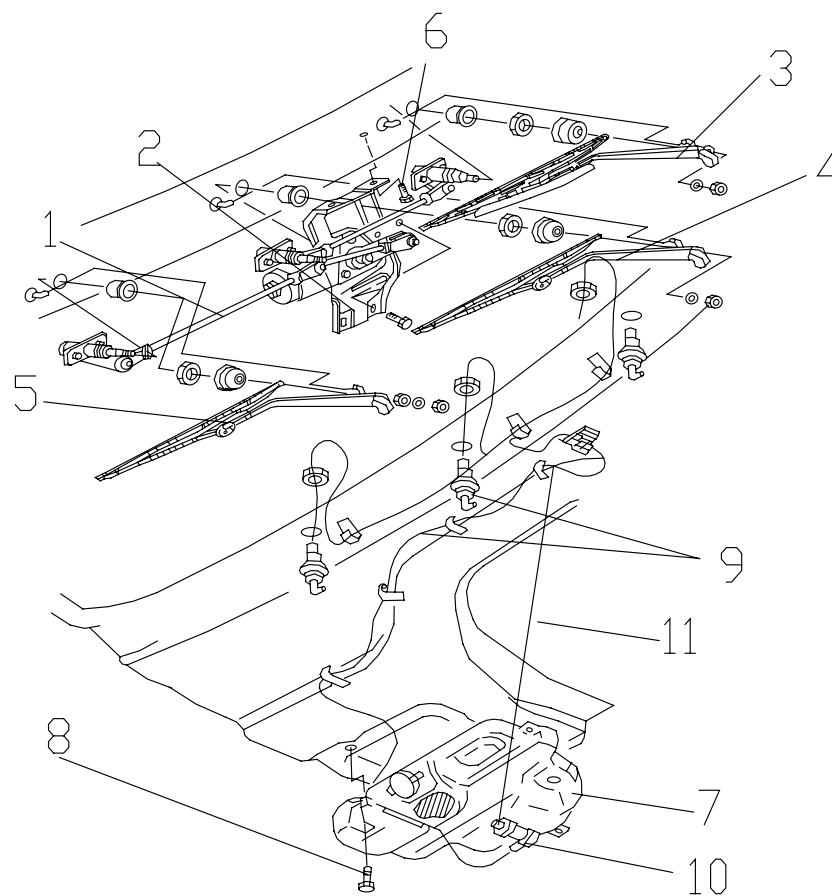
37-U



| 序号<br>No. | 件号<br>Part No. | 数量<br>Quantity | 名称<br>Name  | 规格<br>Specification | 适用产品<br>Products Applied                    | 备注<br>Remark |
|-----------|----------------|----------------|---|---------------------|---|--------------|
| 1         | 37A4D-48010    | 1              | 康明斯熄火电机总成<br>CUMMINS Engine Stop Motor Assembly                             |                     | 康明斯 C 系列发动机车型<br>CUMMINS C Series Engine    |              |
|           | 37A4D-48020    | 1              | 康明斯 L 系列熄火电机总成<br>CUMMINS L Series Engine Stop Motor Assembly               |                     | 康明斯 C 系列发动机车型<br>CUMMINS C Series Engine    |              |
|           | 37B25D-48020   | 1              | 玉柴熄火电机总成<br>YUCHAI Engine Stop Motor Assembly                               |                     | 玉柴 C 系列发动机车型<br>YUCHAI C Series Engine      |              |
|           | 37A16D-48010   | 1              | 日野熄火电机总成<br>HINO Engine Stop Motor Assembly                                 |                     | 日野欧 2 发动机系列车型<br>HINO Euro II Engine Series |              |
| 2         | Q1460825       | 2              | 六角头螺栓弹簧垫圈和平垫圈组合件<br>Hexagon Head Combination Bolt W/Spring And Plate Washer |                     |   |              |
| 3         | Q340B06        | 2              | I 型六角螺母<br>Hexagon Full Nut   |                     |   |              |
| 4         | Q40106         | 2              | 平垫圈<br>Plate Washer   |                     |   |              |
| 5         | Q1460625       | 2              | 六角头螺栓弹簧垫圈和平垫圈组合件<br>Hexagon Head Combination Bolt W/Spring And Plate Washer |                     |   |              |
| 6         | 37AD-24108     | 1              | 龙门架搭铁线<br>Gantry Ground Cable   |                     |   |              |
| 7         | 36A3D-35001    | 1              | 空气滤清传感器<br>Air Filter Sensor  |                     |   |              |

## 雨刮器总成 / WIPER ASSEMBLY

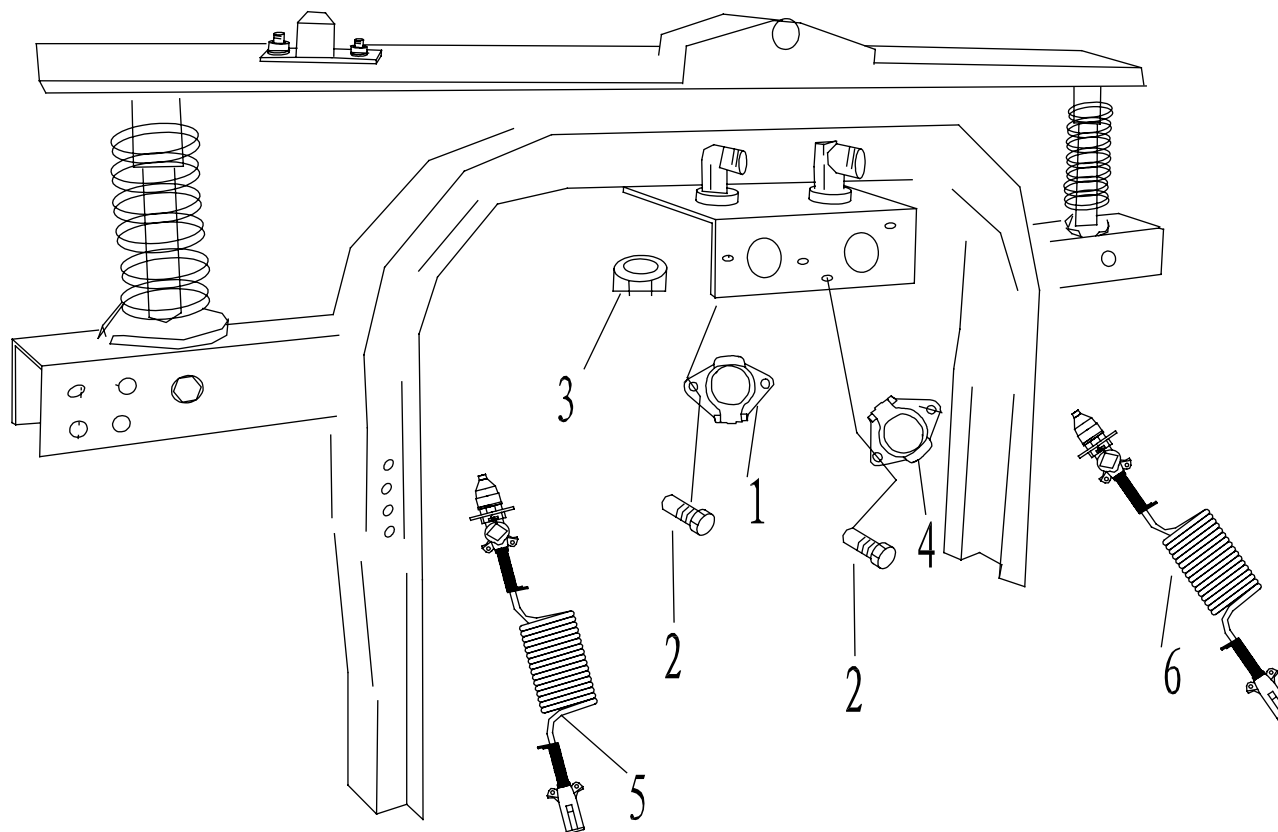
37-V



| 序号<br>No. | 件号<br>Part No. | 数量<br>Quantity | 名称<br>Name   | 规格<br>Specification | 适用产品<br>Products Applied | 备注<br>Remark |
|-----------|----------------|----------------|--|---------------------|--------------------------|--------------|
| 1         | 5205A-013      | 1              | 传动机构总成<br>Drive Mechanism Assembly                   |                     |                          |              |
| 2         | 37AD-41010     | 1              | 雨刮电机总成<br>Wiper Motor Assembly                       |                     |                          |              |
| 3         | 5205A-015      | 1              | 左刮刷刮臂总成<br>Wiper Blade And Wiper Arm Assembly LH     |                     |                          |              |
| 4         | 5205A-035      | 1              | 中刮刷刮臂总成<br>Middle Wiper Blade And Wiper Arm Assembly |                     |                          |              |
| 5         | 5205A-025      | 1              | 右刮刷刮臂总成<br>Wiper Blade And Wiper Arm Assembly RH     |                     |                          |              |
| 6         | Q1460816       | 4              | 六角头组合螺栓<br>Hexagon Head Combination Bolt             |                     |                          |              |
| 7         | 5205A-045      | 1              | 洗涤剂水壶—带密封圈<br>Washer Kettle—W/Seal Ring              |                     |                          |              |
| 8         | Q1460816       | 3              | 六角头组合螺栓<br>Hexagon Head Combination Bolt             |                     |                          |              |
| 9         | 52025A-046     | 1              | 玻璃水管总成—带喷嘴<br>Water Pipe Assembly—W/Nozzle           |                     |                          |              |
| 10        | 37AD-47010     | 1              | 喷水电机<br>Water Injection Motor                        |                     |                          |              |
| 11        | 37AD-24080     | 1              | 喷水电机线束<br>Water Injection Motor Wire Harness         |                     |                          |              |

## ABS 七孔插座 / ABS 7-JACK SOCKET

37-W

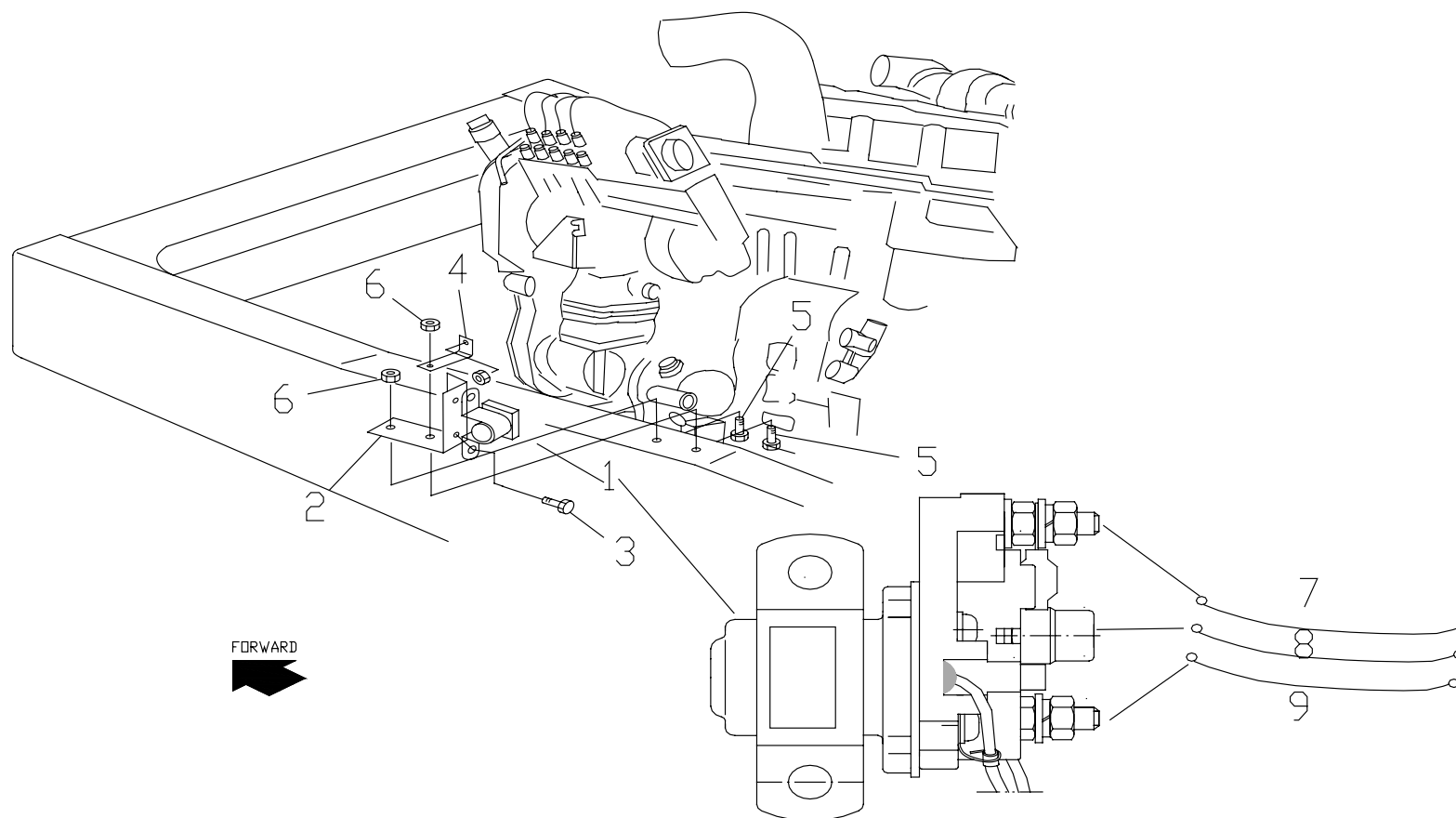




| 序号<br>No. | 件号<br>Part No. | 数量<br>Quantity | 名称<br>Name   | 规格<br>Specification | 适用产品<br>Products Applied | 备注<br>Remark |
|-----------|----------------|----------------|--|---------------------|--------------------------|--------------|
| 1         | 37ADQ-30010    | 1              | 牵引车七孔插座<br>Tractor 7-Jack Socket   |                     |                          |              |
| 2         | Q1460820       | 4              | 六角头螺栓弹簧垫圈和平垫圈组合件<br>Hexagon Head Combination Bolt W/Spring And<br>Plate Washer |                     |                          |              |
| 3         | Q340B08        | 4              | I 型六角螺母<br>Hexagon Full Nut  |                     |                          |              |
| 4         | 37ADQ-30015    | 1              | 牵引车 ABS 七孔插座<br>Tractor ABS 7-Jack Socket                                      |                     |                          |              |
| 5         | 37ADQ-30011    | 1              | 牵引车七芯螺旋线<br>Tractor 7- Core Helix  |                     |                          |              |
| 6         | 37ADQ-30016    | 1              | 牵引车 ABS 螺旋线<br>Tractor ABS Helix   |                     |                          |              |

## 预热继电器 / PRE-HEATING RELAY

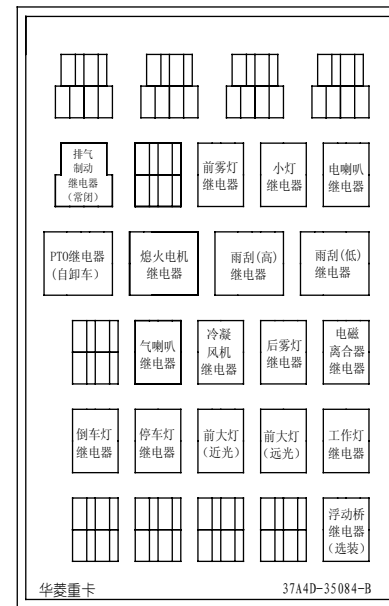
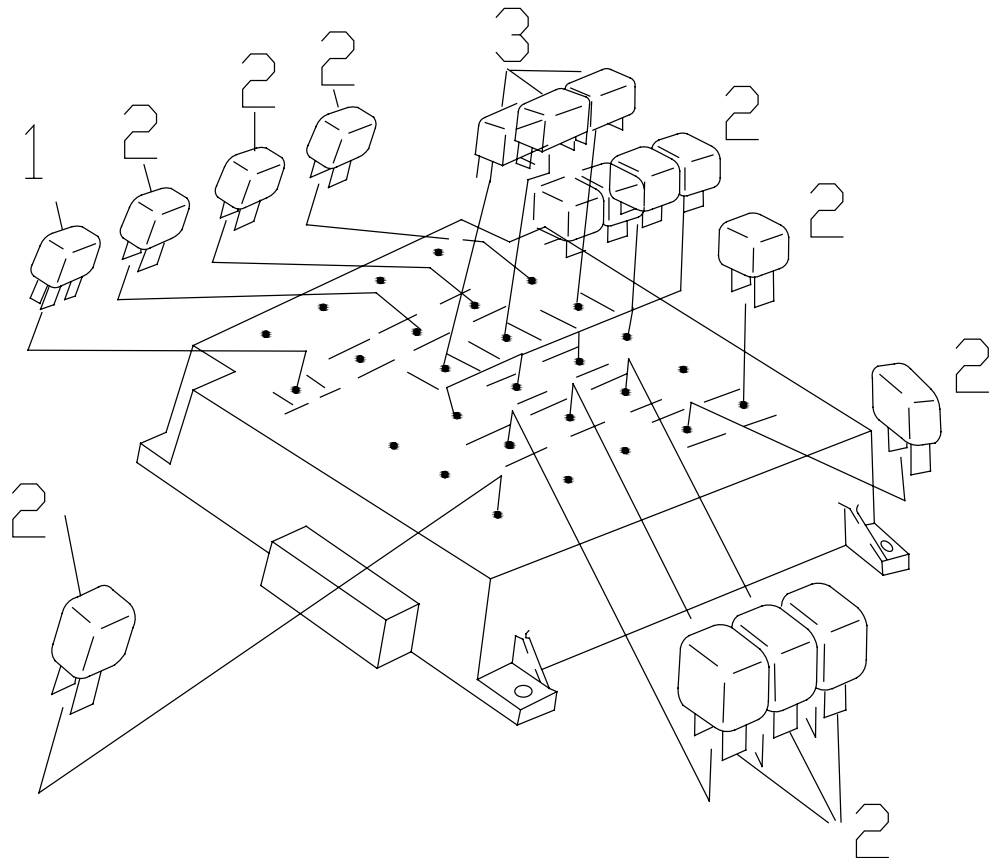
37-X



| 序号<br>No. | 件号<br>Part No. | 数量<br>Quantity | 名称<br>Name  | 规格<br>Specification | 适用产品<br>Products Applied   | 备注<br>Remark |
|-----------|----------------|----------------|---|---------------------|--|--------------|
| 1         | 37A4D-35040    | 1              | 康明斯预热继电器<br>CUMMINS Pre-Heating Relay                               |                     | 康明斯欧 II 发动机<br>CUMMINS Euro II Engine  |              |
|           | 37A44D-35041   | 1              | 150A 预热继电器<br>150A Pre-heating Relay                                |                     | 日野欧 II、日野欧 III、潍柴欧 III、杭发欧 III、<br>康明斯 ISL、锡柴欧 III、康明斯 ISL<br>HINO Euro II ,HINO Euro III ,<br>WEICHAI Euro III ,HANGFA Euro III ,<br>CUMMINS ISL,XICHAI Euro III ,<br>CUMMINS ISL                           |              |
| 2         | 37A4D-34067    | 1              | 支架<br>Bracket   |                     |  |              |
| 3         | Q1420820       | 2              | 六角头螺栓、弹簧垫圈组合件<br>Hexagon Head Combination Bolt W/Spring Washer      |                     |  |              |
| 4         | 11A4D-04051    | 1              | 支架<br>Bracket   |                     |  |              |
| 5         | Q1420830       | 2              | 六角头螺栓、弹簧垫圈组合件<br>Hexagon Head Combination Bolt W/Spring Washer      |                     |  |              |
| 6         | Q340B08        | 2              | I 型六角螺母<br>Hexagon Full Nut   |                     |  |              |
| 7         | 37A4D-37011    | 1              | 康明斯电预热器电源电缆<br>CUMMINS Electric Preheater Electrical Power<br>Cable |                     |  |              |
|           | 37A16D-37011   | 1              | 日野电预热器电源电缆<br>HINO Electric Preheater Electrical Power Cable        |                     | 日野欧 II、日野欧 III、潍柴欧 III、杭发欧 III、<br>康明斯 ISL、锡柴欧 III、康明斯 ISL、<br>锡柴欧 II<br>HINO Euro II ,HINO Euro III ,<br>WEICHAI Euro III ,HANGFA Euro III ,<br>CUMMINS ISL,XICHAI Euro III ,<br>CUMMINS ISL,XICHAI Euro II |              |
| 8         | 37A4D-37012    | 1              | 康明斯电预热器接地线<br>CUMMINS Electric Preheater Ground Cable               |                     |  |              |
|           | 37A53D-37012   | 1              | 电预热器接地电缆 -120<br>Electric Preheater Earthing Cable-120              |                     | 杭发欧 III、潍柴欧 III<br>HANGFA Euro III , WEICHAI Euro III  |              |
| 9         | 37A4D-37013    | 1              | 康明斯预热继电器电源电缆<br>CUMMINS Pre-heating Relay Electrical Power<br>Cable |                     |  |              |

继电器盒装置 / RELAY BOX

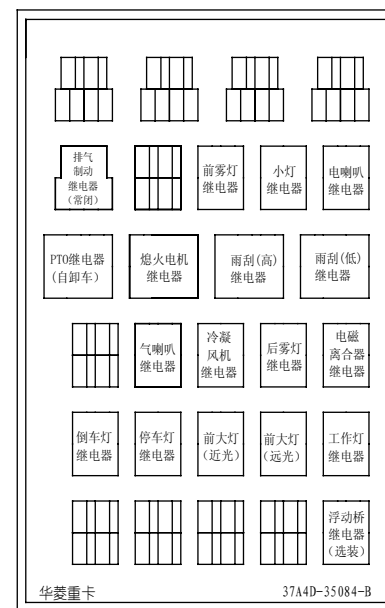
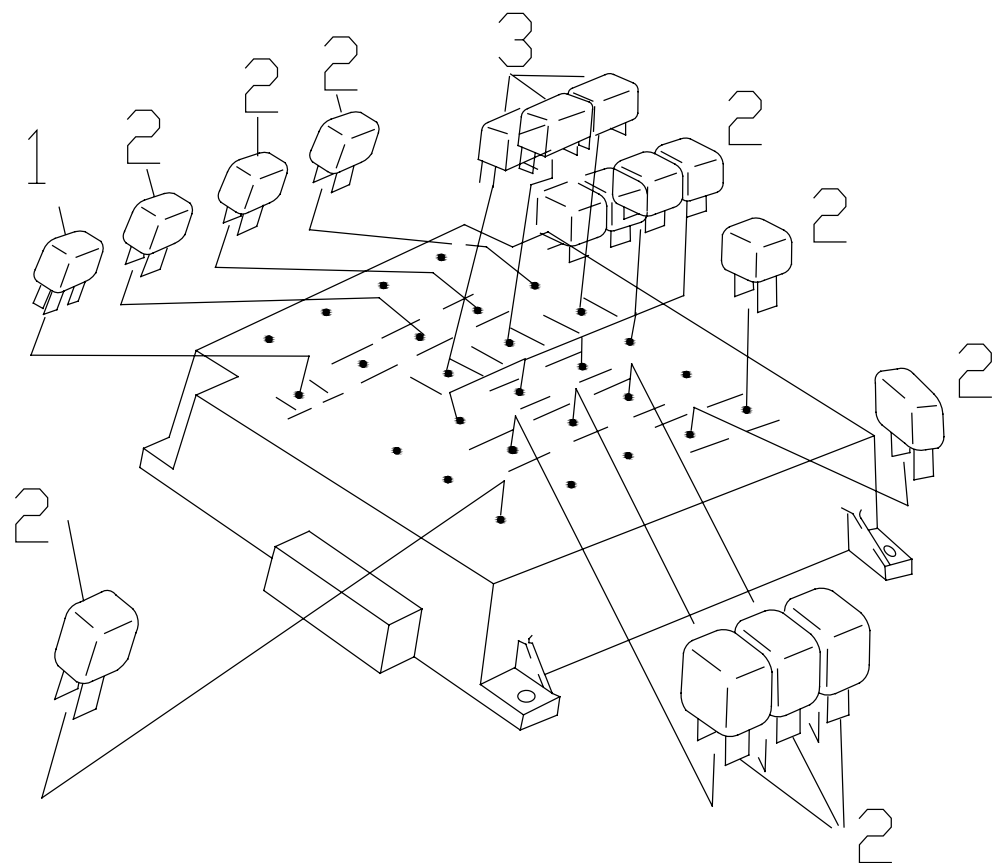
37-Y



| 序号<br>No. | 件号<br>Part No. | 数量<br>Quantity | 名称<br>Name   | 规格<br>Specification | 适用产品<br>Products Applied                | 备注<br>Remark |
|-----------|----------------|----------------|--|---------------------|---|--------------|
| 1         | 37AD-35083     | 1              | 四插常闭继电器<br>4-Plug Normally Closed Relay              |                     |   |              |
| 2         | 37AD-35081     | 12             | 四插继电器<br>4-Plug Relay                                |                     |   |              |
| 3         | 37AD-35082     | 3              | 五插继电器<br>5-Plug Relay                                |                     |   |              |
| 4         | 37A4D-35084-B  | 1              | 继电器盒盒贴 (康明斯)-B<br>Relay Box Cover Paper (CUMMINS) -B |                     | 康明斯发动机系列<br>CUMMINS Engine Series       |              |
|           | 37A2D-35084-B  | 1              | 继电器盒盒贴 (斯太尔)-B<br>Relay Box Cover Paper (STEYR) -B   |                     | 斯太尔发动机系列<br>STEYR Engine Series         |              |
|           | 37A50D-35084   | 1              | 继电器盒贴 (CAT C13)<br>Relay Box Cover Paper(CAT C13)    |                     | 卡特 C13 发动机系列<br>CATER C13 Engine Series |              |
|           | 37A52D-35084   | 1              | 继电器盒贴 (CAT C9)<br>Relay Box Cover Paper(CAT C9)      |                     | 卡特 C9 发动机系列<br>CATER C9 Engine Series   |              |
|           | 37AD-35084-B   | 1              | 继电器盒盒贴 (三菱)-B<br>Relay Box Cover Paper(MITSUBISHI)-B |                     | 三菱发动机系列<br>MITSUBISHI Engine Series     |              |
|           | 37B25D-35084   | 1              | 继电器盒盒贴 (玉柴)<br>Relay Box Cover Paper(YUCHAI)         |                     | 玉柴发动机系列<br>YUCHAI Engine Series         |              |
|           | 37A4D-35084    | 1              | 继电器盒盒贴 (康明斯)<br>Relay Box Cover Paper(CUMMINS)       |                     |   |              |
|           | 37AD-35084     | 1              | 继电器盒盒贴 (三菱)<br>Relay Box Cover Paper(MITSUBISHI)     |                     |   |              |
|           | 37A2D-35084    | 1              | 继电器盒盒贴 (斯太尔)<br>Relay Box Cover Paper(STEYR)         |                     |   |              |
|           | 37A3D-35084    | 1              | 继电器盒盒贴 (五十铃)<br>Relay Box Cover Paper(ISUZU)         |                     |   |              |
|           | 37A3D-35084-B  | 1              | 继电器盒盒贴 (五十铃)-B<br>Relay Box Cover Paper(ISUZU)-B     |                     |   |              |

继电器盒装置 / RELAY BOX

37-Y



4

| 序号<br>No. | 件号<br>Part No. | 数量<br>Quantity | 名称<br>Name  | 规格<br>Specification | 适用产品<br>Products Applied                     | 备注<br>Remark |
|-----------|----------------|----------------|---|---------------------|--|--------------|
| 4         | 37AH4D-35084   | 1              | 康明斯继电器盒盒贴<br>Relay Box Cover Paper(CUMMINS)                   |                     |  |              |
|           | 37AH2D-35084   | 1              | 斯太尔继电器盒盒贴<br>Relay Box Cover Paper(STEYR)                     |                     |  |              |
|           | 37AH53D-35084  | 1              | 继电器盒贴 (杭发欧III)<br>Relay Box Cover Paper(HANGFA Euro III )     |                     | 杭发欧III发动机车型<br>HANG FA Euro III Engine Model |              |
|           | 37AH59D-35084  | 1              | 继电器盒贴 (潍柴欧III)<br>Relay Box Cover Paper(WEICHAH Euro III )    |                     | 潍柴欧III发动机车型<br>WEICHAH Euro III Engine Model |              |
|           | 37AH43D-35084  | 1              | 继电器盒贴 (ISL)<br>Relay Box Cover Paper(ISL)                     |                     | 康明斯 ISL 发动机车型<br>CUMMINS ISL Engine Model    |              |
|           | 37A52D-35084   | 1              | 继电器盒贴 (CAT C9)<br>Relay Box Cover Paper(CAT C9)               |                     | 卡特 C9 发动机车型<br>CATER C9 Engine Model         |              |
|           | 37A50D-35084   | 1              | 继电器盒贴 (CAT C13)<br>Relay Box Cover Paper(CAT C13)             |                     | 卡特 C13 发动机车型<br>CATER C13 Engine Model       |              |
|           | 37AH93D-35184  |                | 继电器盒贴 (三菱欧III)<br>Relay Box Cover Paper(MITSUBISHI Euro III ) |                     | 三菱欧III<br>MITSUBISHI Euro III                |              |

保险丝盒 / FUSE BOX

37-Z

|                                     |                                     |             |                               |                               |                                 |                                     |                                      |                            |                      |                         |                              |                               |                                     |                                     |  |
|-------------------------------------|-------------------------------------|-------------|-------------------------------|-------------------------------|---------------------------------|-------------------------------------|--------------------------------------|----------------------------|----------------------|-------------------------|------------------------------|-------------------------------|-------------------------------------|-------------------------------------|--|
| 1                                   |                                     | 5           |                               | 2                             |                                 | 4                                   |                                      |                            |                      |                         |                              |                               |                                     |                                     |  |
| F1                                  | F2                                  | F3          | F4                            | F5                            | F6                              | F7                                  | F8                                   | F9                         | F10                  | F11                     | F12                          | F13                           | F14                                 | F15                                 |  |
|                                     | 20A                                 | 5A          | 5A                            |                               | 20A                             | 7.5A                                | 15A                                  | 5A                         | 15A                  |                         |                              | 15A                           | 15A                                 | 15A                                 |  |
|                                     | PCV 电磁阀<br>PCV VALVE                | 仪表<br>METER | 行程记录仪<br>MULAC TACHO-GRAPH    |                               | 音 窗控制<br>CD PLAYER P WER WINDOW | 维修灯<br>MAINTAIN LAMP                | 喇叭<br>HORN                           | 荧光灯<br>DOOR LAMP ROOM LAMP | 闪光器<br>FLASHER RELAY |                         |                              | ABS                           | 车窗控制<br>器(左侧)<br>POWER (LIG) WINDOW | 车窗控制<br>器(右侧)<br>POWER (RIG) WINDOW |  |
| F16                                 | F17                                 | F18         | F19                           | F20                           | F21                             | F22                                 | F23                                  | F24                        | F25                  | F26                     | F27                          | F28                           | F29                                 | F30                                 |  |
| 10A                                 | 10A                                 |             | 10A                           | 15A                           | 15A                             |                                     |                                      | 10A                        | 5A                   | 15A                     |                              | 5A                            | 5A                                  |                                     |  |
| 左前灯<br>远光<br>HEAD LAMP (LID) (HIGH) | 右前灯<br>远光<br>HEAD LAMP (RID) (HIGH) |             | 空气干燥器<br>转向灯<br>TILT AMP      | 工作灯<br>继电器<br>WORK LAMP R EAY | 小灯<br>继电器<br>TAIL LAMP RELAY    |                                     |                                      | 差速器<br>锁开关<br>DIFF LOCK    | 发动机<br>控制盒<br>ECU    | ECU<br>继电器<br>ECU RELAY |                              | 挂车开关<br>(牵引)<br>SW. LOCK HOOK | 车窗<br>控制器<br>P WER WINDOW           |                                     |  |
| F31                                 | F32                                 | F33         | F34                           | F35                           | F36                             | F37                                 | F38                                  | F39                        | F40                  | F41                     | F42                          | F43                           | F44                                 | F45                                 |  |
| 10A                                 | 10A                                 |             | 10A                           |                               | 15A                             | 15A                                 | 10A                                  | 10A                        | 5A                   | 5A                      | 5A                           |                               | 10A                                 | 5A                                  |  |
| 左前灯<br>近光<br>HEAD LAMP (LID) (LOW)  | 右前灯<br>近光<br>HEAD LAMP (RID) (LOW)  |             | 停车灯<br>继电器<br>STOP LAMP RELAY |                               | 雾灯<br>FOG LAMP                  | 预热开关<br>倒车灯<br>SW. HEATER BACK LAMP | 翻转<br>排气制动<br>P B CAB TILT E XHBRAKE | 仪表<br>METER                | 仪表<br>METER          | 空调<br>系统<br>A/C         | 大灯<br>继电器<br>HEAD LAMP RELAY |                               | 音响<br>点烟器<br>CIG LIGHTER            | 启动机<br>信号<br>ENGINE STARTER         |  |
| F46                                 | F47                                 | F48         | F49                           | F50                           | F51                             | F52                                 | F53                                  | F54                        | F55                  | F56                     | F57                          | F58                           | F59                                 | F60                                 |  |
| 7.5A                                | 5A                                  |             | 10A                           | 10A                           | 10A                             |                                     |                                      | 30A                        | 15A                  | 15A                     | 10A                          | 10A                           | 5A                                  | 5A                                  |  |
| 冰 箱<br>(选装)<br>REFRIGIRA TOR (OPT)  | MULAC                               |             | 驾驶室<br>小灯<br>TAIL LAMP (CAB)  | PCV 电磁阀1<br>PCV VALVE1        | PCV 电磁阀2<br>PCV VALVE2          |                                     |                                      | 雨刮控制<br>WIPER WASHER       | 空调<br>暖风<br>A/C      | 空调<br>系统<br>A/C         | 继电器<br>PCV R EAY             | ABS                           |                                     | 主电源<br>继电器<br>M AIN P WER R EAY     |  |
| 华菱重卡 CAMC                           |                                     |             |                               |                               |                                 |                                     |                                      |                            |                      |                         |                              |                               |                                     | 37AH44D-22011                       |  |
|                                     |                                     |             |                               |                               |                                 |                                     |                                      |                            |                      |                         |                              |                               |                                     | 7                                   |  |

8

注意:

- 1、当给蓄电池断电时,必须先取下蓄电池正极电缆。
- 2、安装电缆时,必须先安装负极电缆。
- 3、当需要进行割焊工作时,必须将蓄电池的电源拆除。如有电喷系统,则电喷控制盒上的所有接插件均要拆除(包括电喷系统自配的接插件及CAMC配备的接插件),以防止电焊时损坏ECM。

警告

警告

WARNING:

- 1、WHILE CUTTING OFF POWER ,THE ANODE CABLE MUST BE TAKEN OFF FIRST .
- 2、WHILE ASSEMBLING ,THE CATHODE CABLE MUST BE ASSEMBLED FIRST .
- 3、IF WELD CUTTING NEEDED ,TO AVOID ECM BEING DAMAGED , ALL CONNECTORS ON ECU MUST BE REMOVED (INCLUDING CONNECTORS BY ENGINE MANUFACTORY AND BY CAMC) .



| 序号<br>No. | 件号<br>Part No. | 数量<br>Quantity | 名称<br>Name  | 规格<br>Specification | 适用产品<br>Products Applied                  | 备注<br>Remark |
|-----------|----------------|----------------|---|---------------------|---|--------------|
| 1         | 37AD-22031     | 12             | 5 安培保险<br>5A Fuse                                   |                     |   |              |
| 2         | 37AD-22032     | 3              | 7.5 安培保险<br>7.5A Fuse                               |                     |   |              |
| 3         | 37AD-22033     | 13             | 10 安培保险<br>10A Fuse                                 |                     |   |              |
| 4         | 37AD-22034     | 11             | 15 安培保险<br>15A Fuse                                 |                     |   |              |
| 5         | 37AD-22035     | 1              | 20 安培保险<br>20A Fuse                                 |                     |   |              |
| 6         | 37A4D-22011-B  | 1              | 保险丝盒盒贴 (康明斯)-B<br>Fuse Box Cover Paper(CUMMINS)-B   |                     | 康明斯发动机系列车型<br>CUMMINS Engine Series       |              |
|           | 37A2D-22011-B  | 1              | 保险丝盒盒贴 (斯太尔)-B<br>Fuse Box Cover Paper(STEYR)-B     |                     | 斯太尔发动机系列车型<br>STEYR Engine Series         |              |
|           | 37A50D-22011   | 1              | 保险丝盒贴 (CAT C13)<br>Fuse Box Cover Paper(CAT C13)    |                     | 卡特 C13 发动机系列车型<br>CATER C13 Engine Series |              |
|           | 37A52D-22011   | 1              | 保险丝盒贴 (CAT C9)<br>Fuse Box Cover Paper(CAT C9)      |                     | 卡特 C9 发动机系列车型<br>CATER C19 Engine Series  |              |
|           | 37AD-22011-B   | 1              | 保险丝盒盒贴 (三菱)-B<br>Fuse Box Cover Paper(MITSUBISHI)-B |                     | 三菱发动机系列车型<br>MITSUBISHI Engine Series     |              |
|           | 37A4D-22011    | 1              | 保险丝盒盒贴 (康明斯)<br>Fuse Box Cover Paper(CUMMINS)       |                     | 康明斯发动机系列车型<br>CUMMINS Engine Series       |              |
|           | 37A33DQ1-22011 | 1              | 保险丝盒盒贴 (天然气)<br>Fuse Box Cover Paper(Natural Gas)   |                     | 天然气发动机系列车型<br>Natural Gas Engine Series   |              |
|           | 37A3D-22011-B  | 1              | 保险丝盒盒贴 (五十铃)-B<br>Fuse Box Cover Paper(ISUZU)-B     |                     | 五十铃发动机系列车型<br>ISUZU Engine Series         |              |
|           | 37B25D-22011   | 1              | 保险丝盒贴 (玉柴)<br>Fuse Box Cover Paper(YUCHAI)          |                     | 玉柴发动机系列车型<br>YUCHAI Engine Series         |              |

保险丝盒 / FUSE BOX

37-Z

|    |                     |             |                            |    |                                  |                      |            |                            |                      |     |     |     |                            |                            |                               |                               |                          |                        |                       |     |     |     |                     |               |                     |     |                               |                      |                              |                              |     |                        |     |                |                              |                              |             |             |             |                       |                             |                             |                                  |       |     |                          |                       |                       |     |     |                      |             |             |                  |     |                                |     |     |     |
|----|---------------------|-------------|----------------------------|----|----------------------------------|----------------------|------------|----------------------------|----------------------|-----|-----|-----|----------------------------|----------------------------|-------------------------------|-------------------------------|--------------------------|------------------------|-----------------------|-----|-----|-----|---------------------|---------------|---------------------|-----|-------------------------------|----------------------|------------------------------|------------------------------|-----|------------------------|-----|----------------|------------------------------|------------------------------|-------------|-------------|-------------|-----------------------|-----------------------------|-----------------------------|----------------------------------|-------|-----|--------------------------|-----------------------|-----------------------|-----|-----|----------------------|-------------|-------------|------------------|-----|--------------------------------|-----|-----|-----|
| 1  |                     | 5           |                            | 2  |                                  | 4                    |            |                            |                      |     |     |     |                            |                            |                               |                               |                          |                        |                       |     |     |     |                     |               |                     |     |                               |                      |                              |                              |     |                        |     |                |                              |                              |             |             |             |                       |                             |                             |                                  |       |     |                          |                       |                       |     |     |                      |             |             |                  |     |                                |     |     |     |
| F1 | F2                  | F3          | F4                         | F5 | F6                               | F7                   | F8         | F9                         | F10                  | F11 | F12 | F13 | F14                        | F15                        | F16                           | F17                           | F18                      | F19                    | F20                   | F21 | F22 | F23 | F24                 | F25           | F26                 | F27 | F28                           | F29                  | F30                          | F31                          | F32 | F33                    | F34 | F35            | F36                          | F37                          | F38         | F39         | F40         | F41                   | F42                         | F43                         | F44                              | F45   | F46 | F47                      | F48                   | F49                   | F50 | F51 | F52                  | F53         | F54         | F55              | F56 | F57                            | F58 | F59 | F60 |
|    | 20A                 | 5A          | 5A                         |    | 20A                              | 7.5A                 | 15A        | 5A                         | 15A                  |     |     | 15A | 15A                        | 15A                        | 10A                           | 10A                           |                          | 10A                    | 15A                   | 15A |     |     | 10A                 | 5A            | 15A                 |     | 5A                            | 5A                   | 10A                          | 10A                          |     | 10A                    |     | 15A            | 10A                          | 10A                          | 5A          | 5A          | 5A          | 5A                    |                             | 10A                         | 5A                               | 7.5A  | 5A  |                          | 10A                   | 10A                   | 10A |     |                      | 30A         | 15A         | 15A              | 10A | 10A                            | 5A  | 5A  |     |
|    | PCV电磁阀<br>PCV VALVE | 仪表<br>METER | 行程记录仪<br>MULAC TACHO-GRAPH |    | 音響門窗控制<br>CD PLAYER P WER WINDOW | 維修燈<br>MAINTAIN LAMP | 喇叭<br>HORN | 熒光燈<br>DOOR LAMP ROOM LAMP | 閃光器<br>FLASHER RELAY |     |     | ABS | 門窗控制<br>POWER (LID) WINDOW | 門窗控制<br>POWER (RID) WINDOW | 左前燈<br>HEAD LAMP (LID) (HIGH) | 右前燈<br>HEAD LAMP (RID) (HIGH) | 空氣乾燥器<br>D WER TILT LAMP | 工作燈<br>WORK LAMP R EAY | 小燈<br>TAIL LAMP RELAY |     |     |     | 差速器鎖開關<br>DIFF LOCK | 發動機控制盒<br>ECU | ECU繼電器<br>ECU RELAY |     | 駐車開關<br>(牽引)<br>SW. LOCK HOOK | 門窗控制<br>P WER WINDOW | 左前燈<br>HEAD LAMP (LID) (LOW) | 右前燈<br>HEAD LAMP (RID) (LOW) |     | 停車燈<br>STOP LAMP RELAY |     | 霧燈<br>FOG LAMP | 預熱開關<br>SW. HEATER BACK LAMP | 翻轉<br>P B CAB TILT E XHBRAKE | 儀表<br>METER | 儀表<br>METER | 空調系統<br>A/C | 大燈<br>HEAD LAMP RELAY | 音響<br>CD PLAYER CIG LIGHTER | 啟動機<br>信號<br>ENGINE STARTER | 冰箱<br>(選裝)<br>REFRIGERATOR (OPT) | MULAC |     | 駕駛室小燈<br>TAIL LAMP (CAB) | PCV电磁阀1<br>PCV VALVE1 | PCV电磁阀2<br>PCV VALVE2 |     |     | 雨刮控制<br>WIPER WASHER | 空調暖風<br>A/C | 空調系統<br>A/C | 繼電器<br>PCV R EAY | ABS | 主電源<br>繼電器<br>M IN P WER R EAY |     |     |     |

3 6 7 8

华菱重卡 CAMC 37AH44D-22011

**注意:**

- 1、当给蓄电池断电时，必须先取下蓄电池正极电缆。
- 2、安装电缆时，必须先安装负极电缆。
- 3、当需要进行割焊工作时，必须将蓄电池的电源拆除。如有电喷系统，则电喷控制盒上的所有接插件均要拆除(包括电喷系统自配的接插件及CAMC配备的接插件)，以防止电焊时损坏ECM。

**警告**

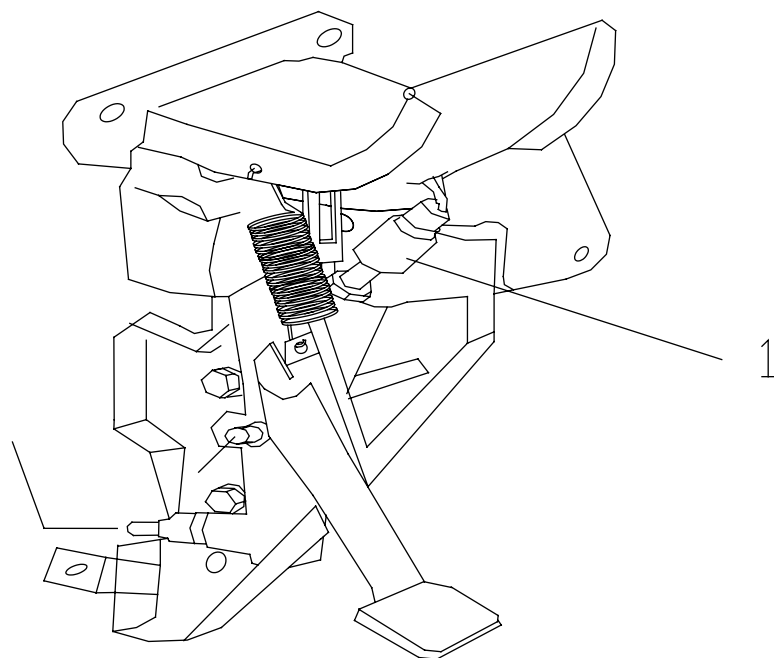
**WARNING:**

- 1、WHILE CUTTING OFF POWER ,THE ANODE CABLE MUST BE TAKEN OFF FIRST .
- 2、WHILE ASSEMBLING ,THE CATHODE CABLE MUST BE ASSEMBLED FIRST .
- 3、IF WELD CUTTING NEEDED, TO AVOID ECM BEING DAMAGED, ALL CONNECTORS ON ECU MUST BE REMOVED (INCLUDING CONNECTORS BY ENGINE MANUFACTORY AND BY CAMC) .

| 序号<br>No. | 件号<br>Part No. | 数量<br>Quantity | 名称<br>Name   | 规格<br>Specification | 适用产品<br>Products Applied  | 备注<br>Remark |
|-----------|----------------|----------------|--|---------------------|---|--------------|
| 6         | 37AD-22011     | 1              | 保险丝盒盒贴<br>Fuse Box Cover Paper                             |                     | 三菱发动机系列车型<br>MITSUBISHI Engine Series   |              |
|           | 37A2D-22011    | 1              | 保险丝盒盒贴(斯太尔)<br>Fuse Box Cover Paper(STEYR)                 |                     | 斯太尔发动机系列车型<br>STEYR Engine Series   |              |
|           | 37A3D-22011    | 1              | 保险丝盒盒贴(五十铃)<br>Fuse Box Cover Paper(ISUZU)                 |                     | 五十铃发动机系列车型<br>ISUZU Engine Series   |              |
|           | 37AH53D-22011  | 1              | 保险丝盒贴(杭发欧III)<br>Fuse Box Cover Paper(HANGFA Euro III)     |                     | 杭发欧III发动机系列车型<br>HANGFA Euro III Engine Series  |              |
|           | 37AH59D-22011  | 1              | 保险丝盒贴(潍柴欧III)<br>Fuse Box Cover Paper(WEICHAI Euro III)    |                     | 潍柴欧III发动机系列车型<br>WEICHAI Euro III Engine Series   |              |
|           | 37AH43D-22011  | 1              | 保险丝盒贴(ISL)<br>Fuse Box Cover Paper(ISL)                    |                     | 康明斯 ISL 发动机系列车型<br>CUMMINS ISL Engine Series  |              |
|           | 37A52D-22011   | 1              | 保险丝盒贴(CAT C9)<br>Fuse Box Cover Paper(CAT C9)              |                     | 卡特 C9 发动机系列车型<br>CATER C9 Engine Series   |              |
|           | 37A50D-22011   | 1              | 保险丝盒贴(CAT C13)<br>Fuse Box Cover Paper(CAT C13)            |                     | 卡特 C13 发动机系列车型<br>CATER C13 Engine Series   |              |
|           | 37AH93D-22011  |                | 保险丝盒贴(三菱欧III)<br>Fuse Box Cover Paper(MITSUBISHI Euro III) |                     | 三菱欧III发动机系列车型<br>MITSUBISHI Euro III Engine Series  |              |
| 7         | 37AD-22037     | 1              | 30 安培保险<br>30A Fuse  |                     | 预热<br>Pre-Heating   |              |
| 8         | 37AD-22013     | 1              | 断电警告标签<br>Power Failure Warning Label                      |                     |   |              |
|           | 37AD-22013     | 1              | 断电警告标签<br>Power Failure Warning Label                      |                     | 日野欧III、潍柴欧III、卡特 C9、杭发欧III、<br>康明斯 ISL、康明斯 ISD、三菱欧III、<br>HINO Euro III, WEICHAI Euro III,<br>CATER C9, HANGFA Euro III,<br>CUMMINS ISL, CUMMINS ISD,<br>CUMMINS Euro III |              |

## 离合器开关 / CLUTCH SWITCH

37-AA



| 序号<br>No. | 件号<br>Part No. | 数量<br>Quantity | 名称<br>Name  | 规格<br>Specification | 适用产品<br>Products Applied                    | 备注<br>Remark |
|-----------|----------------|----------------|---|---------------------|---|--------------|
| 1         | 37A2D-77010    | 1              | 离合器踏板开关（常开）<br>Clutch Pedal Switch(Normally Open) |                     | 康明斯，斯太尔发动机系列<br>CUMMINS,STEYR Engine Series |              |

## 支架，线夹 / BRACKET, WIRE CLIP

### 37-AB

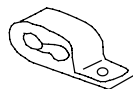
37AD-33404



37AD-33521



37AD-33418



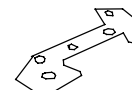
37AD-33032



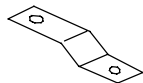
37AD-33211



37AD-34039



37AD-34013



37AD-33504



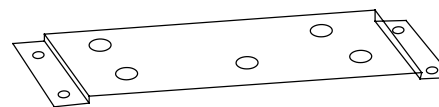
37AD-33407



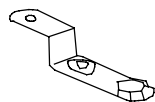
37AD-33508



37AD-34029



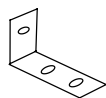
37AD-34071



37AD-34042



37AD-34003



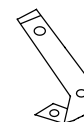
37AD-34002



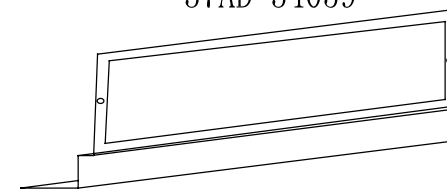
37AD-34007



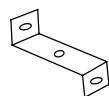
37AD-34026



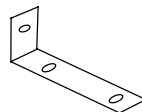
37AD-34059



37AD-34047



37AD-34036



37AD-34053



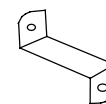
37AD-34031



37AD-34022



37AD-34036



37AD-34068



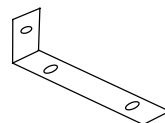
37AD-34011



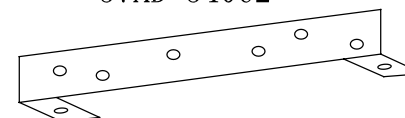
37AD-34002



37AD-34048



37AD-34062



| 序号<br>No. | 件号<br>Part No. | 数量<br>Quantity | 名称<br>Name                | 规格<br>Specification | 适用产品<br>Products Applied | 备注<br>Remark |
|-----------|----------------|----------------|---------------------------|---------------------|--------------------------|--------------|
| 1         | 37AD-33404     |                | 线夹<br>Wire Clip           |                     |                          |              |
| 2         | 37AD-33521     |                | 线夹<br>Wire Clip           |                     |                          |              |
| 3         | 37AD-33418     |                | 线夹<br>Wire Clip           |                     |                          |              |
| 4         | 37AD-33032     |                | 线夹<br>Wire Clip           |                     |                          |              |
| 5         | 37AD-33211     |                | 线夹<br>Wire Clip           |                     |                          |              |
| 6         | 37AD-34039     |                | 黑支架<br>Black Bracket      |                     |                          |              |
| 7         | 37AD-34013     |                | 支架<br>Bracket             |                     |                          |              |
| 8         | 37AD-33504     |                | 线夹<br>Wire Clip           |                     |                          |              |
| 9         | 37AD-33407     |                | 线夹<br>Wire Clip           |                     |                          |              |
| 10        | 37AD-33508     |                | 线夹<br>Wire Clip           |                     |                          |              |
| 11        | 37AD-34029     |                | 气喇叭支架<br>Air Horn Bracket |                     |                          |              |
| 12        | 37AD-34071     |                | 支架<br>Bracket             |                     |                          |              |
| 13        | 37AD-34042     |                | 支架<br>Bracket             |                     |                          |              |
| 14        | 37AD-34003     |                | 支架<br>Bracket             |                     |                          |              |

## 支架, 线夹 / BRACKET, WIRE CLIP

### 37-AB

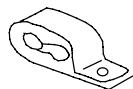
37AD-33404



37AD-33521



37AD-33418



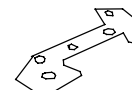
37AD-33032



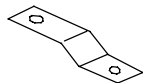
37AD-33211



37AD-34039



37AD-34013



37AD-33504



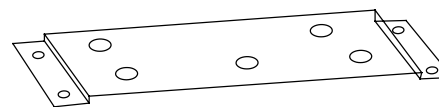
37AD-33407



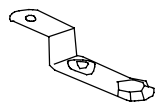
37AD-33508



37AD-34029



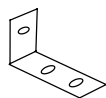
37AD-34071



37AD-34042



37AD-34003



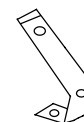
37AD-34002



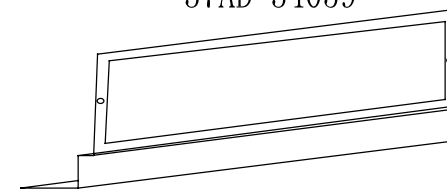
37AD-34007



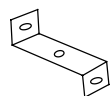
37AD-34026



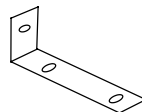
37AD-34059



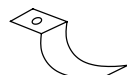
37AD-34047



37AD-34036



37AD-34053



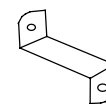
37AD-34031



37AD-34022



37AD-34036



37AD-34068



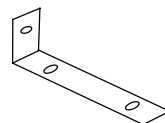
37AD-34011



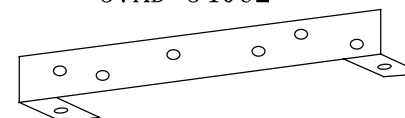
37AD-34002



37AD-34048



37AD-34062





| 序号<br>No. | 件号<br>Part No. | 数量<br>Quantity | 名称<br>Name               | 规格<br>Specification | 适用产品<br>Products Applied | 备注<br>Remark |
|-----------|----------------|----------------|--------------------------|---------------------|--------------------------|--------------|
| 15        | 37AD-34002     |                | 支架<br>Bracket            |                     |                          |              |
| 16        | 37AD-34007     |                | 支架<br>Bracket            |                     |                          |              |
| 17        | 37AD-34026     |                | 支架<br>Bracket            |                     |                          |              |
| 18        | 37AD-34047     |                | 支架<br>Bracket            |                     |                          |              |
| 19        | 37AD-34036     |                | 支架<br>Bracket            |                     |                          |              |
| 20        | 37AD-34053     |                | 支架<br>Bracket            |                     |                          |              |
| 21        | 37AD-34031     |                | 支架<br>Bracket            |                     |                          |              |
| 22        | 37AD-34022     |                | 支架<br>Bracket            |                     |                          |              |
| 23        | 37AD-34036     |                | 支架<br>Bracket            |                     |                          |              |
| 24        | 37AD-34059     |                | 尾灯支架<br>Taillamp Bracket |                     |                          |              |
| 25        | 37AD-34068     |                | 支架<br>Bracket            |                     |                          |              |
| 26        | 37AD-34011     |                | 支架<br>Bracket            |                     |                          |              |
| 27        | 37AD-34002     |                | 支架<br>Bracket            |                     |                          |              |
| 28        | 37AD-34048     |                | 支架<br>Bracket            |                     |                          |              |

## 支架, 线夹 / BRACKET, WIRE CLIP

### 37-AB

37AD-33404



37AD-33521



37AD-33418



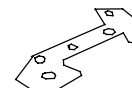
37AD-33032



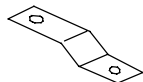
37AD-33211



37AD-34039



37AD-34013



37AD-33504



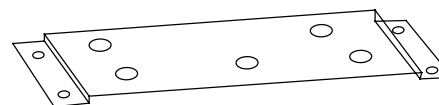
37AD-33407



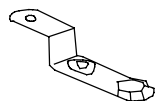
37AD-33508



37AD-34029



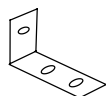
37AD-34071



37AD-34042



37AD-34003



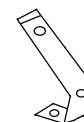
37AD-34002



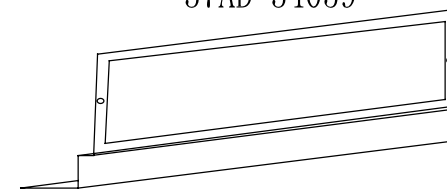
37AD-34007



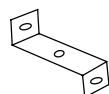
37AD-34026



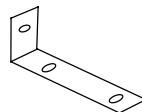
37AD-34059



37AD-34047



37AD-34036



37AD-34053



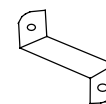
37AD-34031



37AD-34022



37AD-34036



37AD-34068



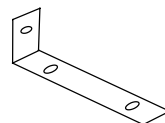
37AD-34011



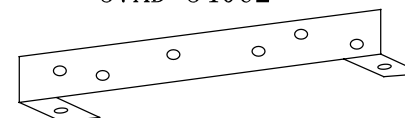
37AD-34002



37AD-34048



37AD-34062



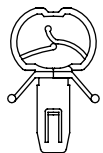
电气设备系统 / ELECTRIC EQUIPMENT SYSTEM

37-74

| 序号<br>No. | 件号<br>Part No. | 数量<br>Quantity | 名称<br>Name                             | 规格<br>Specification | 适用产品<br>Products Applied | 备注<br>Remark |
|-----------|----------------|----------------|--|---------------------|--------------------------|--------------|
| 29        | 37AD-34062     |                | 气压传感器支架<br>Air Pressure Sensor Bracket |                     |                          |              |

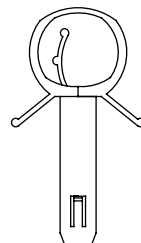
## 扎带，定位夹 / BAND, LOCATING CLAMP

### 37-AC

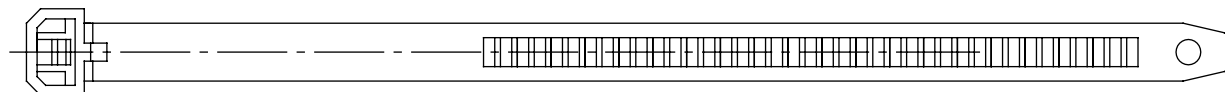


| 编号 / Part No. | 备注 / Remark  |
|---------------|--------------|
| 37AD-33002    | 可夹管线径D4.5-D5 |
| 37AD-33003    | 可夹管线径D4-D5   |
| 37AD-33004    | 可夹管线径D4-D5   |
| 37AD-33006    | 可夹管线径D5      |

37AD-33017



| NO                   | 37AD-33007 | 37AD-33008 | 37AD-33009 | 37AD-33011 | 37AD-33012 | 37AD-33013  | 37AD-33014  | 37AD-33016  | 37AD-33018  | 37AD-33019  |
|----------------------|------------|------------|------------|------------|------------|-------------|-------------|-------------|-------------|-------------|
| 尺寸 / Size(mm)        |            |            |            |            |            |             |             |             |             |             |
| 可夹管径 / Line Diameter | D9.5-D13.8 | D9.5-D13.8 | D9.5-D13.8 | D9.5-D13.8 | D12.5D21.2 | D12.5-D21.2 | D12.5-D21.2 | D17.8-D27.4 | D17.8-D27.4 | D17.8-D27.4 |

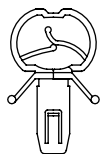


| 代号 / Part No. | 长度 / Length |
|---------------|-------------|
| 37AD-33041    | 130         |
| 37AD-33042    | 170         |
| 37AD-33043    | 220         |

| 序号<br>No. | 件号<br>Part No. | 数量<br>Quantity | 名称<br>Name        | 规格<br>Specification | 适用产品<br>Products Applied                         | 备注<br>Remark |
|-----------|----------------|----------------|-------------------|---------------------|--|--------------|
| 1         | 37AD-33002     |                | 管线夹<br>Line Clamp |                     | 可夹管径 4.5-5mm<br>Line Of 4.5-5mm Diameter         |              |
| 2         | 37AD-33003     |                | 管线夹<br>Line Clamp |                     | 可夹管径 4-5mm<br>Line Of 4-5mm Diameter             |              |
| 3         | 37AD-33004     |                | 管线夹<br>Line Clamp |                     | 可夹管径 4-5mm<br>Line Of 4-5mm Diameter             |              |
| 4         | 37AD-33006     |                | 管线夹<br>Line Clamp |                     | 可夹管径 5mm<br>Line Of 5mm Diameter                 |              |
| 5         | 37AD-33007     |                | 管线夹<br>Line Clamp |                     | 可夹管径 9.5-13.8mm<br>Line Of 9.5-13.8mm Diameter   |              |
| 6         | 37AD-33008     |                | 管线夹<br>Line Clamp |                     | 可夹管径 9.5-13.8mm<br>Line Of 9.5-13.8mm Diameter   |              |
| 7         | 37AD-33009     |                | 管线夹<br>Line Clamp |                     | 可夹管径 9.5-13.8mm<br>Line Of 9.5-13.8mm Diameter   |              |
| 8         | 37AD-33010     |                | 管线夹<br>Line Clamp |                     | 可夹管径 9.5-13.8mm<br>Line Of 9.5-13.8mm Diameter   |              |
| 9         | 37AD-33011     |                | 管线夹<br>Line Clamp |                     | 可夹管径 9.5-13.8mm<br>Line Of 9.5-13.8mm Diameter   |              |
| 10        | 37AD-33012     |                | 管线夹<br>Line Clamp |                     | 可夹管径 12.5-21.4mm<br>Line Of 12.5-21.4mm Diameter |              |
| 11        | 37AD-33013     |                | 管线夹<br>Line Clamp |                     | 可夹管径 12.5-21.4mm<br>Line Of 12.5-21.4mm Diameter |              |
| 12        | 37AD-33014     |                | 管线夹<br>Line Clamp |                     | 可夹管径 12.5-21.4mm<br>Line Of 12.5-21.4mm Diameter |              |
| 13        | 37AD-33015     |                | 管线夹<br>Line Clamp |                     | 可夹管径 15-18mm<br>Line Of 15-18mm Diameter         |              |
| 14        | 37AD-33016     |                | 管线夹<br>Line Clamp |                     | 可夹管径 15-18mm<br>Line Of 15-18mm Diameter         |              |

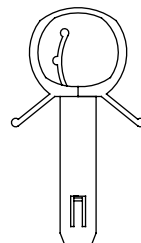
# 扎带，定位夹 / BAND, LOCATING CLAMP

## 37-AC

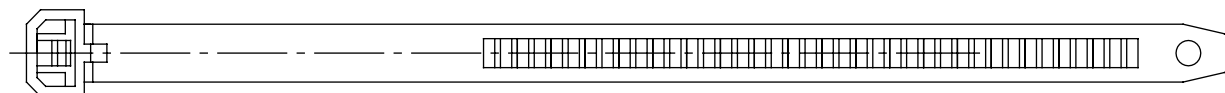


| 编号 / Part No. | 备注 / Remark  |
|---------------|--------------|
| 37AD-33002    | 可夹管线径D4.5-D5 |
| 37AD-33003    | 可夹管线径D4-D5   |
| 37AD-33004    | 可夹管线径D4-D5   |
| 37AD-33006    | 可夹管线径D5      |

37AD-33017



| NO                   | 37AD-33007 | 37AD-33008 | 37AD-33009 | 37AD-33011 | 37AD-33012 | 37AD-33013  | 37AD-33014  | 37AD-33016  | 37AD-33018  | 37AD-33019  |
|----------------------|------------|------------|------------|------------|------------|-------------|-------------|-------------|-------------|-------------|
| 尺寸 / Size(mm)        |            |            |            |            |            |             |             |             |             |             |
| 可夹管径 / Line Diameter | D9.5-D13.8 | D9.5-D13.8 | D9.5-D13.8 | D9.5-D13.8 | D12.5D21.2 | D12.5-D21.2 | D12.5-D21.2 | D17.8-D27.4 | D17.8-D27.4 | D17.8-D27.4 |

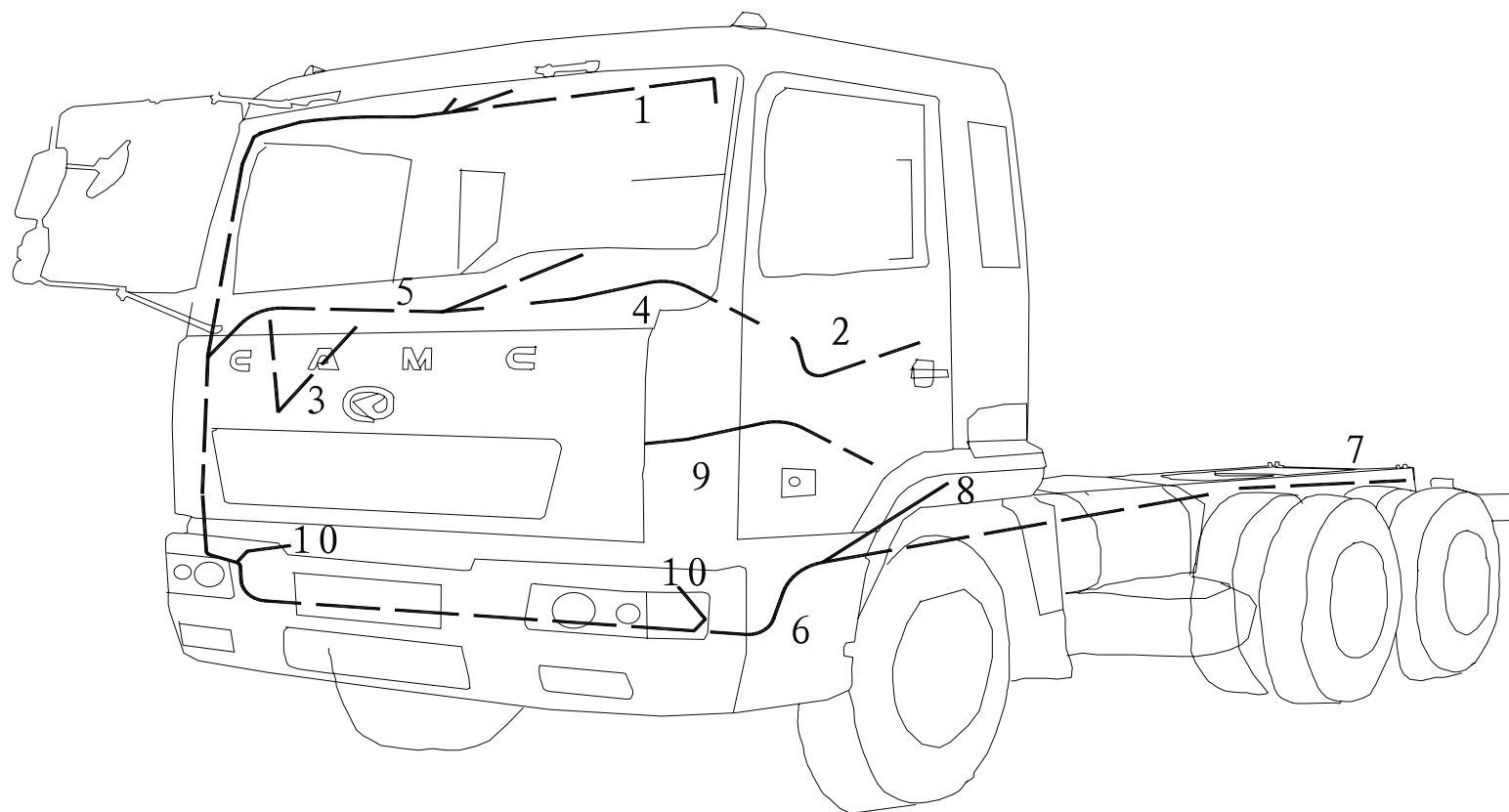


| 代号 / Part No. | 长度 / Length |
|---------------|-------------|
| 37AD-33041    | 130         |
| 37AD-33042    | 170         |
| 37AD-33043    | 220         |

| 序号<br>No. | 件号<br>Part No. | 数量<br>Quantity | 名称<br>Name        | 规格<br>Specification | 适用产品<br>Products Applied                         | 备注<br>Remark |
|-----------|----------------|----------------|-------------------|---------------------|--|--------------|
| 15        | 37AD-33017     |                | 管线夹<br>Line Clamp |                     | 可夹管径 15-18mm<br>Line Of 15-18mm Diameter         |              |
| 16        | 37AD-33018     |                | 管线夹<br>Line Clamp |                     | 可夹管径 17.8-27.4mm<br>Line Of 17.8-27.4mm Diameter |              |
| 17        | 37AD-33019     |                | 管线夹<br>Line Clamp |                     | 可夹管径 17.8-27.4mm<br>Line Of 17.8-27.4mm Diameter |              |
| 18        | 37AD-33041     |                | 扎带<br>Band        |                     | 长度 130mm<br>130mm Length                         |              |
| 19        | 37AD-33042     |                | 扎带<br>Band        |                     | 长度 170mm<br>170mm Length                         |              |
| 20        | 37AD-33043     |                | 扎带<br>Band        |                     | 长度 220mm<br>220mm Length                         |              |

## 整车线束 / COMPLETE VEHICLE WIRE HARNESS

37-AD

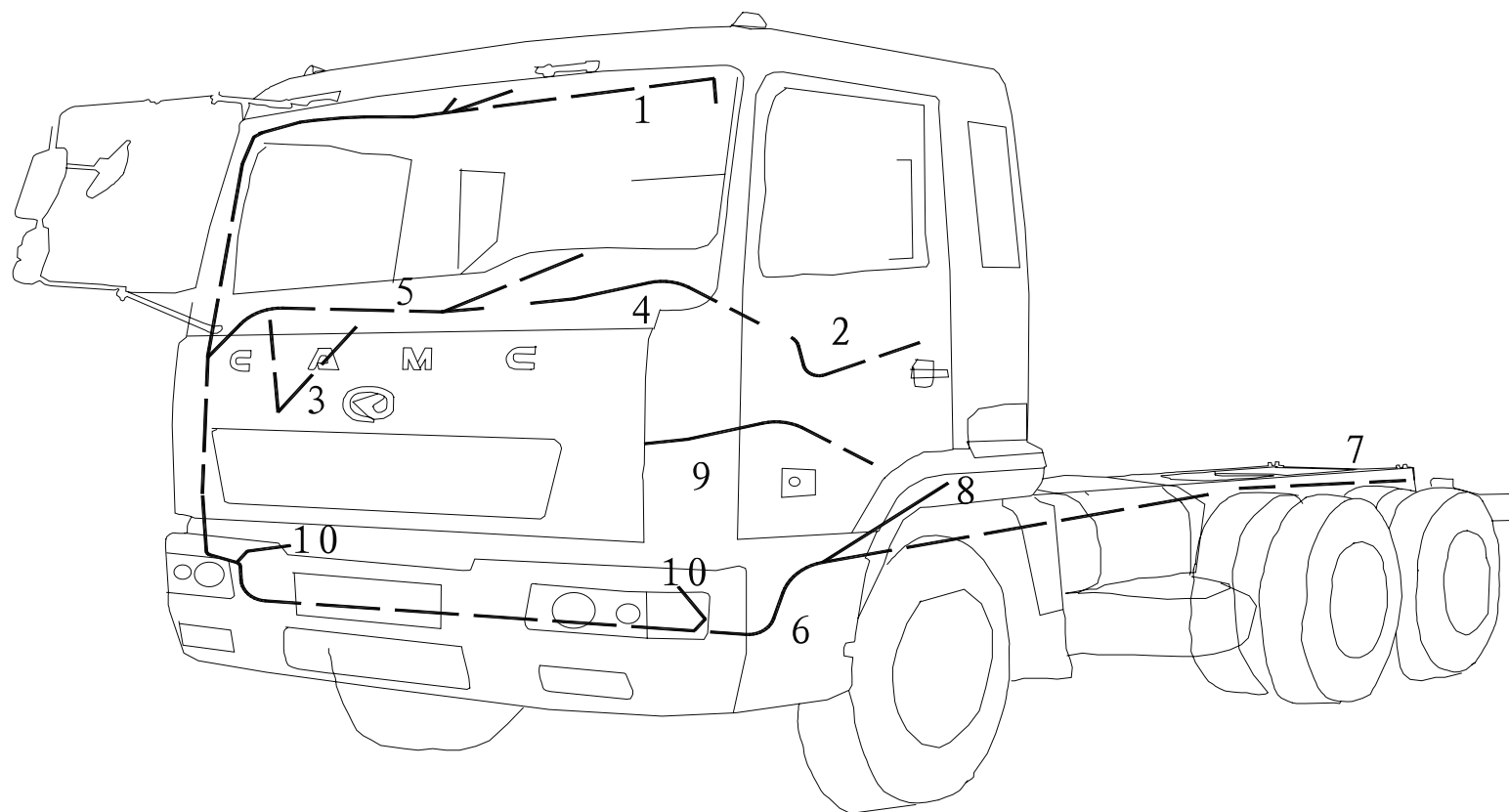




| 序号<br>No. | 件号<br>Part No. | 数量<br>Quantity | 名称<br>Name  | 规格<br>Specification | 适用产品<br>Products Applied                           | 备注<br>Remark |
|-----------|----------------|----------------|---|---------------------|--|--------------|
| 1         | 37AD-24060     | 1              | 顶棚线束<br>Roof Wire Harness                               |                     | 平顶车<br>Flat Roof Vehicle                           |              |
|           | 37AD-24560     | 1              | 顶棚线束<br>Roof Wire Harness                               |                     | 高顶车<br>High Roof Vehicle                           |              |
|           | 37B25D-24060   | 1              | 窄车顶篷线束<br>Narrow Cab Roof Wire Harness                  |                     | 窄体车<br>Narrow Cab                                  |              |
| 2         | 37AD-24030     | 1              | 左车门线束<br>Left Door Wire Harness                         |                     | 通用<br>All  |              |
| 3         | 37AD-24040     | 1              | 右车门线束<br>Right Door Wire Harness                        |                     | 通用<br>All  |              |
| 4         | 37AD-24021     | 1              | 仪表线束<br>Instrument Wire Harness                         |                     | 非 AH 车型<br>Except AH Model                         |              |
| 5         | 37A4D-24010-B  | 1              | 驾驶室线束 (康明斯)-B<br>Cab Wire Harness(CUMMINS)-B            |                     | 康明斯发动机驾驶室线束<br>CUMMINS Engine Cab Wire Harness     |              |
|           | 37A4D-24010-C  | 1              | 驾驶室线束 -C<br>Cab Wire Harness-C                          |                     | 康明斯发动机驾驶室线束<br>CUMMINS Engine Cab Wire Harness     |              |
|           | 37A2D-24010-B  | 1              | 驾驶室线束 (斯太尔)-B<br>Cab Wire Harness(STEYR)-B              |                     | 斯太尔发动机驾驶室线束<br>STEYR Engine Cab Wire Harness       |              |
|           | 37A23D-24010   | 1              | 驾驶室线束 (康明斯 M 系列)<br>Cab Wire Harness(CUMMINS Series M ) |                     | 康明斯 M 系列驾驶室线束<br>CUMMINS M Series Cab Wire Harness |              |
|           | 37AD-24010     | 1              | 驾驶室线束 (三菱)<br>Cab Wire Harness(MITSUBISHI)              |                     | 三菱系列发动机车型<br>MITSUBISHI Engine Series              |              |
|           | 37AD-24010-B   | 1              | 驾驶室线束 (三菱)-B<br>Cab Wire Harness(MITSUBISHI)-B          |                     | 三菱系列发动机车型<br>MITSUBISHI Engine Series              |              |
|           | 37A3D-24010    | 1              | 驾驶室线束 (五十铃)<br>Cab Wire Harness(ISUZU)                  |                     | 五十铃系列发动机车型<br>ISUZU Engine Series                  |              |
|           | 37A3D-24010-B  | 1              | 驾驶室线束 (五十铃)-B<br>Cab Wire Harness(ISUZU)-B              |                     | 五十铃系列发动机车型<br>ISUZU Engine Series                  |              |

## 整车线束 / COMPLETE VEHICLE WIRE HARNESS

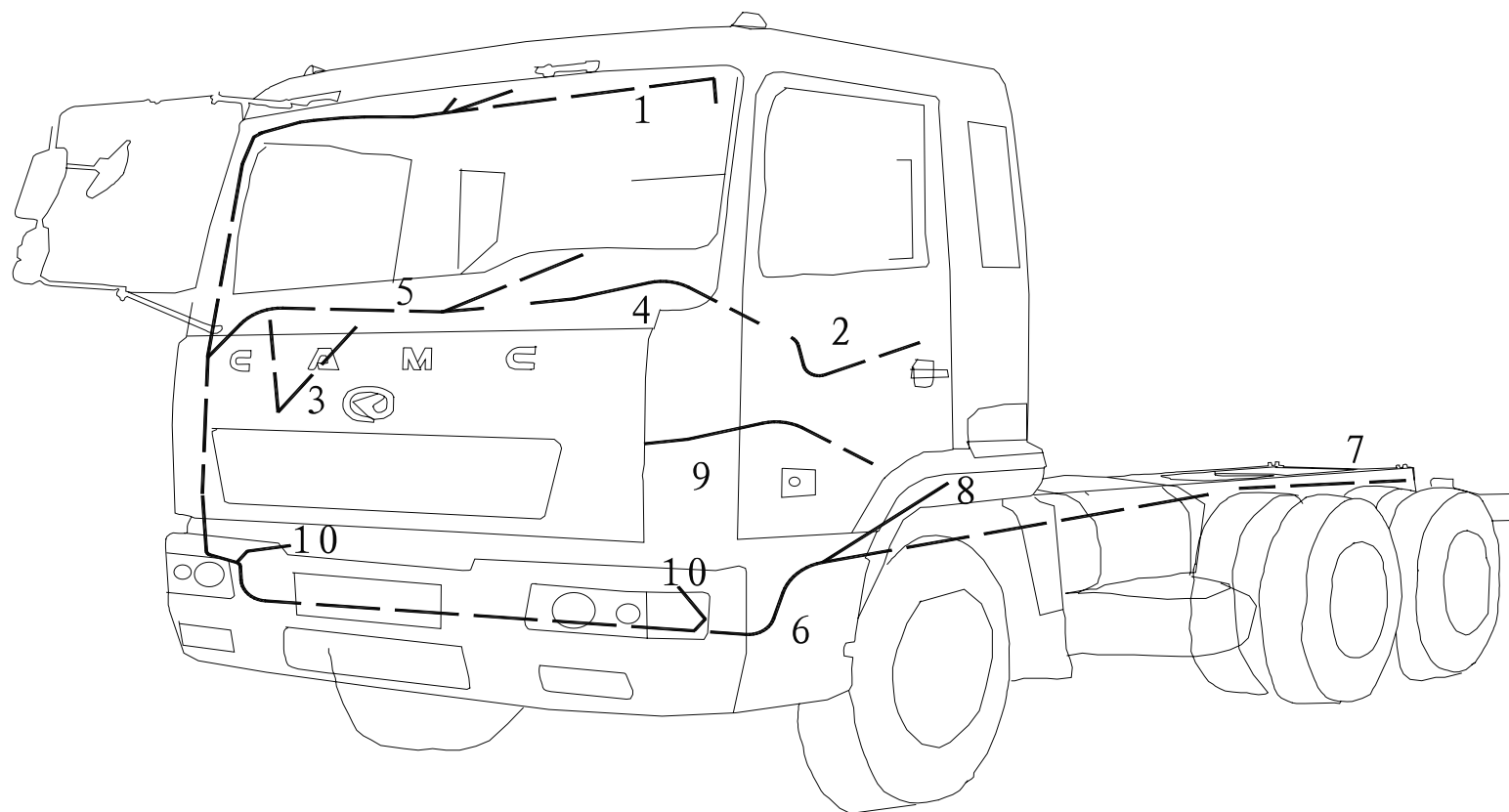
37-AD



| 序号<br>No.   | 件号<br>Part No. | 数量<br>Quantity                         | 名称<br>Name  | 规格<br>Specification   | 适用产品<br>Products Applied  | 备注<br>Remark |
|-------------|----------------|--|---|---|---|--------------|
| 5           | 37AH4D-24010   | 1                                      | AH 驾驶室线束 (康明斯)<br>AH Cab Wire Harness(CUMMINS)  |   | 康明斯 AH 车型驾驶室线束<br>CUMMINS AH Model Driving Cab Wire Harness   |              |
|             | 37AH44D-24010  | 1                                      | AH 驾驶室线束 (日野欧 3)<br>AH Cab Wire Harness(HINO Euro III )   |   | 日野欧 3 驾驶室线束<br>HINO Euro III Cab Wire Harness   |              |
|             | 37AH2D-24010   | 1                                      | AH 驾驶室线束 (斯太尔)<br>AH Cab Wire Harness(STEYR)  |   | 斯太尔 AH 车型驾驶室线束<br>STEYR AH Model Cab Wire Harness   |              |
|             | 37AH50D-24010  | 1                                      | CAT 驾驶室线束<br>CAT Cab Wire Harness   |   | CAT C13 发动机驾驶室线束<br>CAT C13 Engine Cab Wire Harness   |              |
|             | 37AH52D-24010  | 1                                      | CAT 驾驶室线束 (C9)<br>CAT Cab Wire Harness(C9)  |   | CAT C9 发动机驾驶室线束<br>CAT C9 Engine Cab Wire Harness   |              |
|             | 37B2DQ-24010   | 1                                      | 驾驶室线束 (杭发窄车)<br>Cab Wire Harness<br>(Narrow Cab Truck Equiped With Engine<br>Made By Hangzhou Engine Factory) |   | 杭发窄车驾驶室线束<br>Cab Wire Harness Of Narrow Cab Truck<br>Equiped With Engine Made By Hangzhou<br>Engine Factory |              |
|             | 37A33DQ1-24010 | 1                                      | 驾驶室线束 (康明斯天然气)<br>Cab Wire Harness (Truck Equiped With CUMMINS<br>Natural Gas Engine )                        |   | 康明斯天然气驾驶室线束<br>Cab Wire Harness Of Truck Equiped With<br>CUMMINS Natural Gas Engine                         |              |
|             | 37A28D-24010   | 1                                      | 驾驶室线束 (玉柴宽车)<br>Cab Wire Harness(Wide Cab Truck Equiped With<br>Engine Made By YUCHAI Engine Factory)         |   | 玉柴宽车驾驶室线束<br>Cab Wire Harness Of Wide Cab Truck<br>Equiped With Engine Made By YUCHAI<br>Engine Factory     |              |
|             | 37B25D-24010   | 1                                      | 驾驶室线束 (玉柴窄车)<br>Cab Wire Harness<br>(Narrow Cab Truck Equiped With Engine Made By<br>YUCHAI Engine Factory)   |   | 玉柴窄车驾驶室线束<br>Cab Wire Harness Of Narrow Cab Truck<br>Equiped With Engine Made By YUCHAI<br>Engine Factory   |              |
|             | 37A4D-24010    | 1                                      | 驾驶室线束 (康明斯)<br>Cab Wire Harness (CUMMINS)   |   | 2005 年 6 月 30 日前生产的康明斯驾驶室线束<br>Cab Wire Harness (CUMMINS)Produced<br>Before June 30th, 2005                 |              |
| 37A2D-24010 | 1              | 驾驶室线束 (斯太尔)<br>Cab Wire Harness(STEYR) |   | 2005 年 6 月 30 日前生产的斯太尔驾驶室线束<br>Cab Wire Harness(STEYR) Produced Before<br>June 30th, 2005 |   |              |

## 整车线束 / COMPLETE VEHICLE WIRE HARNESS

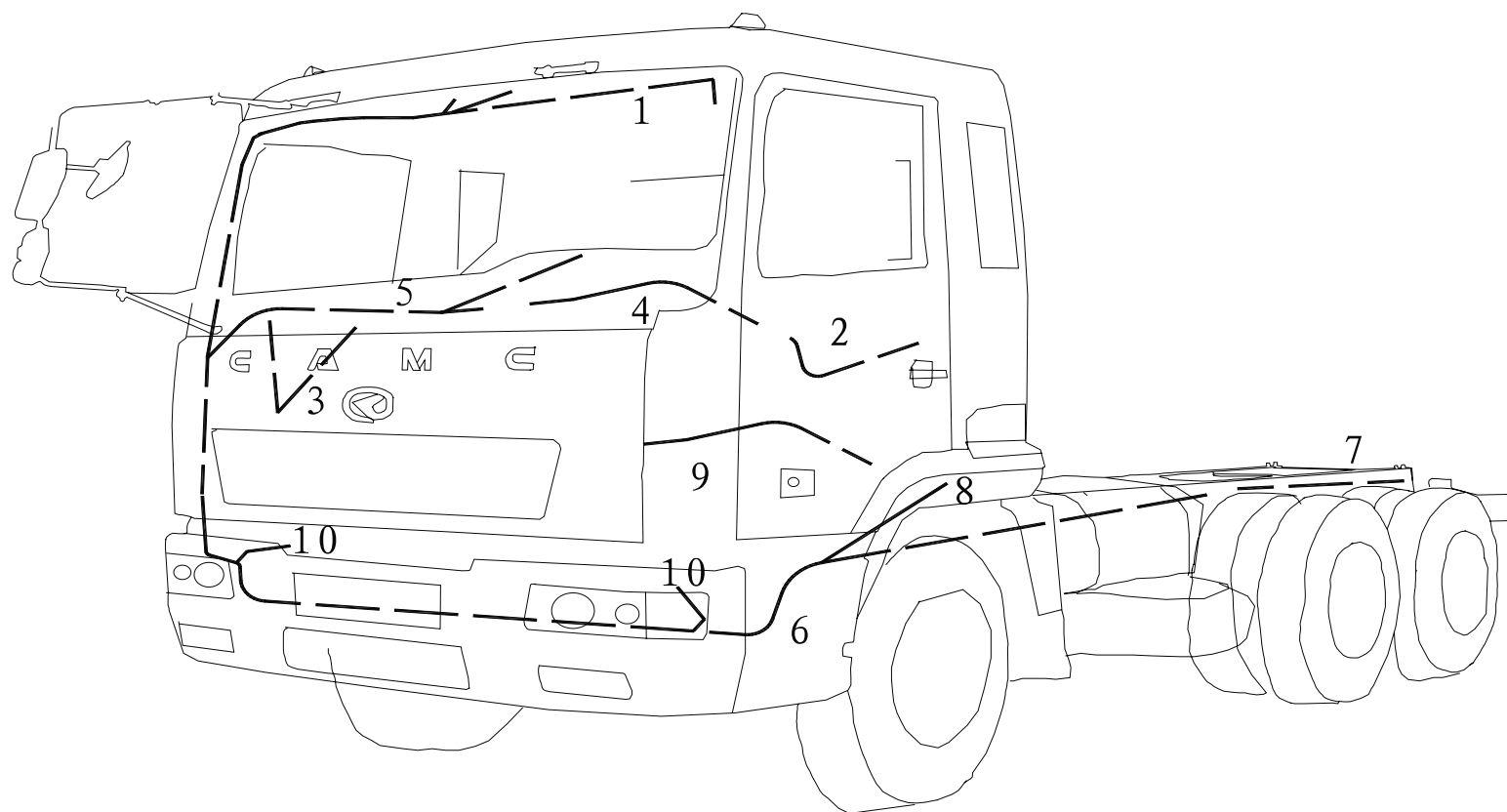
37-AD



| 序号<br>No. | 件号<br>Part No. | 数量<br>Quantity | 名称<br>Name  | 规格<br>Specification | 适用产品<br>Products Applied  | 备注<br>Remark |
|-----------|----------------|----------------|---|---------------------|---|--------------|
| 5         | 37A4D-24010-X  | 1              | 康明斯驾驶室线束 (维修)<br>Cab Wire Harness Of The Truck Equiped With<br>CUMMINS Engine (Service) |                     | 2005年6月30日前生产的康明斯驾驶室线束<br>Cab Wire Harness Of The Truck Equiped<br>With CUMMINS Engine Produced Before<br>June 30th, 2005 |              |
|           | 37B35D-24010   | 1              | 窄车驾驶室线束 (康明斯B)<br>Cab Wire Harness Of Narrow Cab Truck<br>(CUMMINS B)                   |                     | 康明斯B系列驾驶室线束<br>Cab Wire Harness Of The Truck Equiped<br>With CUMMINS Series B Engine                                      |              |
|           | 37AH52D-24010  | 1              | CAT 驾驶室线束 (C9)<br>CAT Cab Wire Harness(C9)  |                     | 卡特 C9 发动机车型<br>CATER C9 Engine Model  |              |
|           | 37AH53D-24010  | 1              | 杭发欧III驾驶室线束<br>HANGFA Euro III Cab Wire Harness   |                     | 杭发欧III发动机车型<br>HANGFA Euro III Engine Model   |              |
|           | 37AH43D-24010  | 1              | ISL 驾驶室线束 (CM2150C)<br>ISL Cab Wire Harness(CM2150C)                                    |                     | 康明斯 ISLe 搅拌车型<br>CUMMINS ISLe Mixer Model   |              |
|           | 37AH50D-24010  | 1              | CAT 驾驶室线束 (C13)<br>CAT Cab Wire Harness(C13)  |                     | 卡特 C13 发动机车型<br>CATER C13 Engine Model  |              |
|           | 37AH93D-24010  | 1              | 驾驶室线束 (三菱欧III)<br>Cab Wire Harness(MITSUBISHI Euro III )                                |                     | 三菱欧III发动机车型<br>MITSUBISHI Euro III Engine Model   |              |
|           | 37AH59D-24010  | 1              | 潍柴欧III驾驶室线束<br>WEICHAI Euro III Cab Wire Harness  |                     | 潍柴欧III车型<br>WEICHAI Euro III Model  |              |

## 整车线束 / COMPLETE VEHICLE WIRE HARNESS

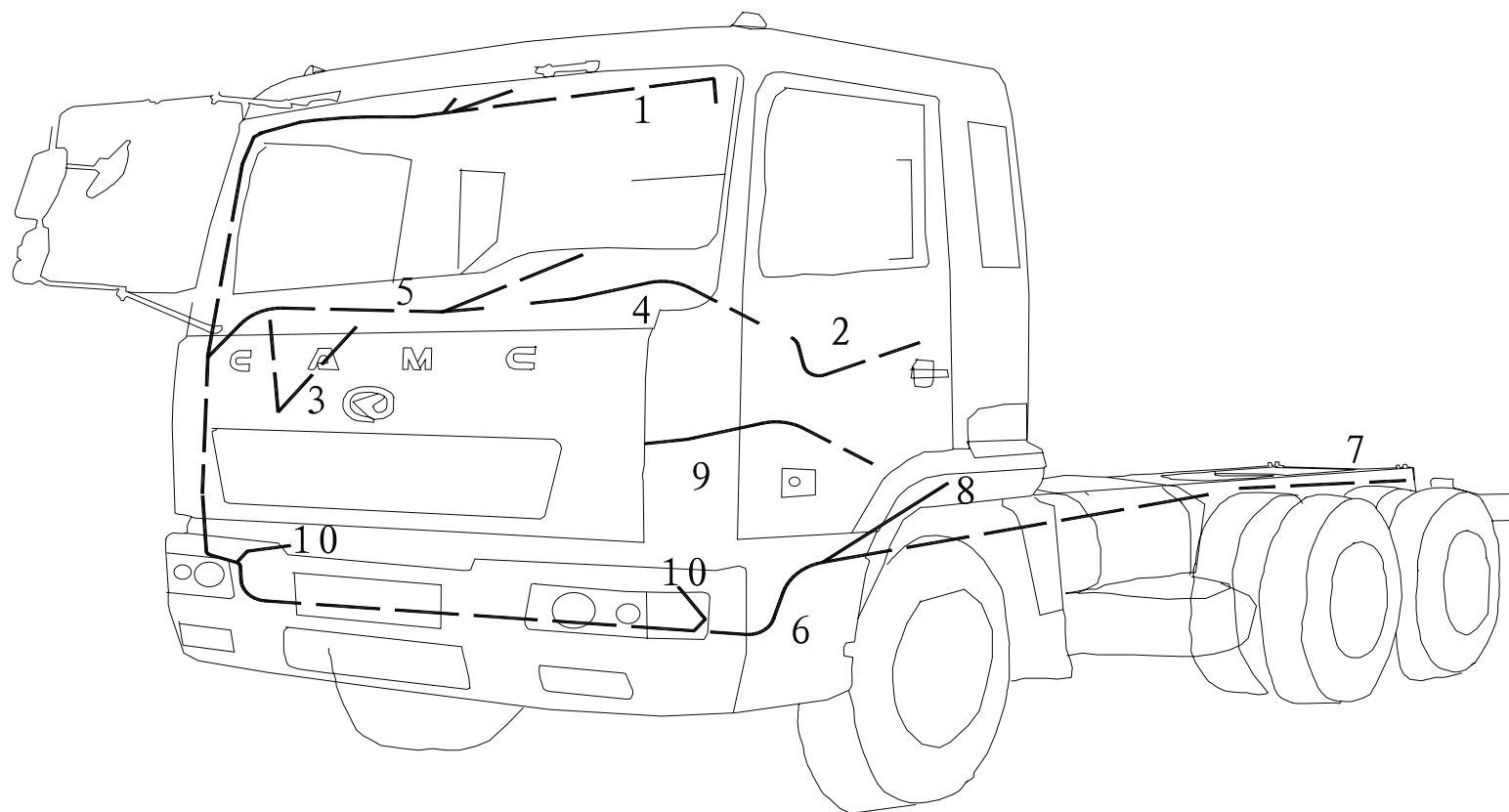
37-AD



| 序号<br>No. | 件号<br>Part No.  | 数量<br>Quantity | 名称<br>Name  | 规格<br>Specification | 适用产品<br>Products Applied   | 备注<br>Remark |
|-----------|-----------------|----------------|---|---------------------|--|--------------|
| 6         | 37A4D-24101-B   | 1              | 车架线束 (康明斯)-B<br>Frame Wire Harness(CUMMINS)-B                       |                     | 适用于康明斯搅拌、自卸、5200 货车<br>Mixer, Dump Truck And 5200 Truck Equiped<br>With CUMMINS Engine                       |              |
|           | 37A4DQ-24101-B  | 1              | 牵引车车架线束 (康明斯)-B<br>Tractor Frame Wire Harness(CUMMINS)-B            |                     | 适用于康明斯牵引车<br>Tractor Equiped With CUMMINS Engine   |              |
|           | 37A9DP5-24101-B | 1              | 车架线束 (康明斯 4000)-B<br>Frame Wire Harness(CUMMINS 4000)-B             |                     | 适用于康明斯 4000 的四桥车<br>4-Axle Vehicle Equiped With CUMMINS 4000<br>Engine                                       |              |
|           | 37A4DP4-24101-B | 1              | 车架线束 (康明斯 3370、4605)-B<br>Frame Wire Harness(CUMMINS 3370,4605)-B   |                     | 适用于康明斯 3370 和 4605 的四桥车<br>4-Axle Vehicle Equiped With CUMMINS<br>3370,4000 Engine                           |              |
|           | 37A23DQ-24101   | 1              | 牵引车车架线束 (康明斯 M 系列)<br>Tractor Frame Wire Harness(CUMMINS M Series ) |                     | 康明斯 M 系列牵引车车架线束<br>Wire Harness Equiped With CUMMINS M<br>Series Engine                                      |              |
|           | 37A23D-24101    | 1              | 车架线束 (康明斯 M 系列)<br>Frame Wire Harness(CUMMINS M Series )            |                     | 康明斯 M 系列搅拌车, 自卸车架线束<br>Frame Wire Harness Of Mixer And Dump<br>Truck Equiped With CUMMINS M Series<br>Engine |              |
|           | 37A2D-24101-B   | 1              | 车架线束 (斯太尔)-B<br>Frame Wire Harness(STEYR)-B                         |                     | 适用于斯太尔搅拌、自卸、5200 货车<br>Mixer, Dump Truck And 5200 Van Equiped<br>With STEYR Engine                           |              |
|           | 37A2DQ-24101-B  | 1              | 牵引车车架线束 (斯太尔)-B<br>Tractor Frame Wire Harness(STEYR)-B              |                     | 适用于斯太尔牵引<br>Tractor Equiped With STEYR Engine  |              |
|           | 37A6DP5-24101-B | 1              | 车架线束 (斯太尔 4000)-B<br>Frame Wire Harness(STEYR 4000)-B               |                     | 适用于斯太尔 4000 四桥车型<br>4-Axle Vehicle Equiped With STEYR 4000<br>Engine   |              |

## 整车线束 / COMPLETE VEHICLE WIRE HARNESS

37-AD

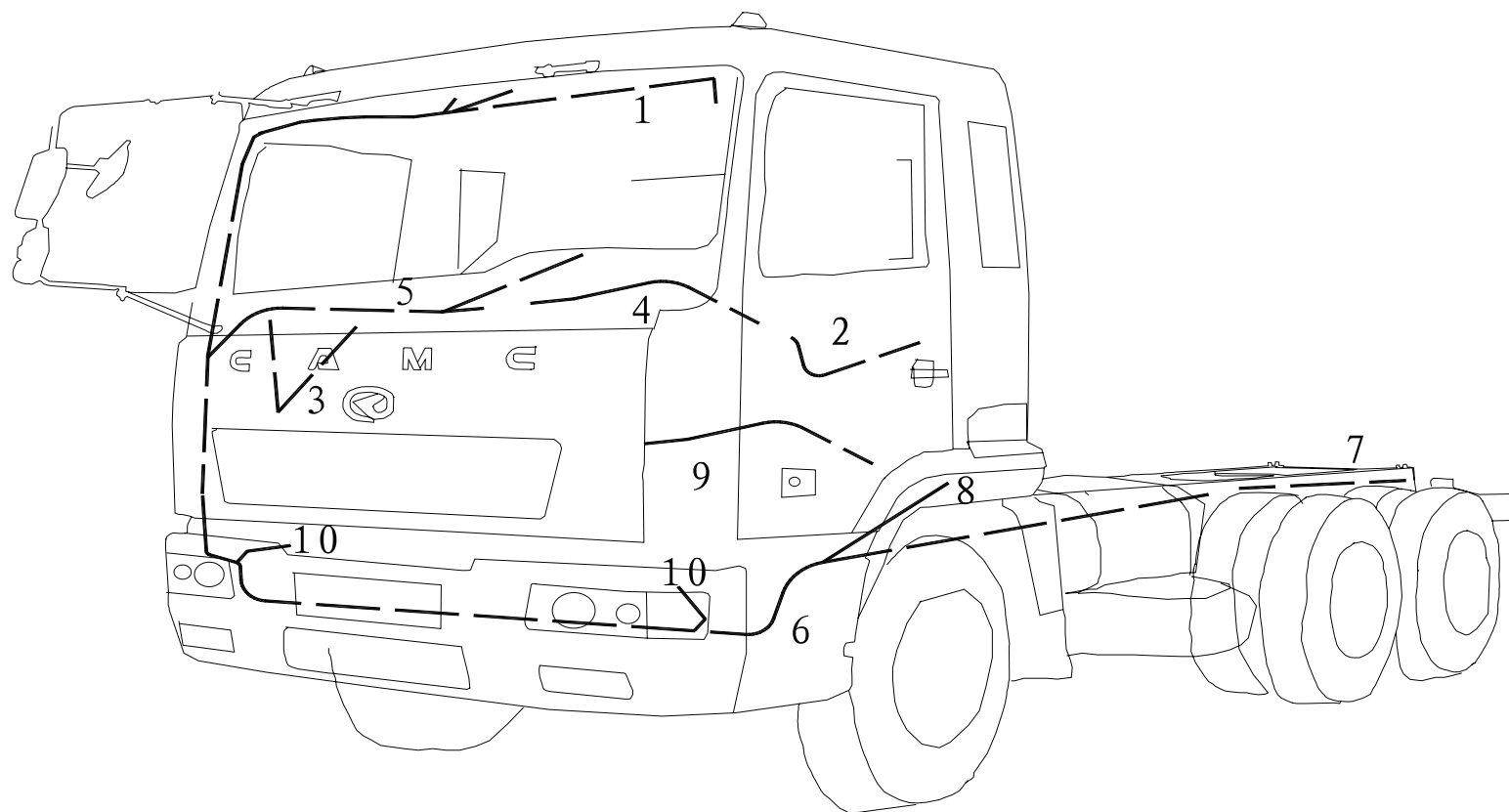




| 序号<br>No.      | 件号<br>Part No.  | 数量<br>Quantity  | 名称<br>Name   | 规格<br>Specification                 | 适用产品<br>Products Applied   | 备注<br>Remark |
|----------------|-----------------|---|--|-------------------------------------|--|--------------|
| 6              | 37A6DP3-24102-B | 1   | 车架线束 (斯太尔 3370、4605) -B<br>Frame Wire Harness(STEYR 3370-4605)-B |                                     | 适用于斯太尔 3370 和 4605 四桥车型<br>4-Axle Vehicle Equiped With STEYR<br>3370,4605 Engine     |              |
|                | 37AH50DQ-24101  | 1   | CAT 牵引车车架线束 (C13)<br>CAT Tractor Frame Wire Harness(C13)         |                                     | C13 牵引车车架线束<br>Tractor Frame Wire Harness(C13)                                       |              |
|                | 37AHDP4-24101   | 1   | AH3370 车架线束 (三菱)<br>AH3370 Frame Wire Harness(Mitsubishi)        |                                     | AH 车型 3370 轴距车架线束 (三菱)<br>Model AH Wheel Base 3370 Frame Wire<br>Harness(Mitsubishi) |              |
|                | 37AH16DQ-24101  | 1   | 车架线束 (日野)<br>Frame Wire Harness(HINO)                            |                                     | 对应 AH 车型线束<br>AH Model Wire Harness  |              |
|                | 37AH23DQ3-24101 | 1   | AH3370 车架线束 (M11)<br>AH3370 Frame Wire Harness(M11)              |                                     | 对应 AH 车型线束<br>AH Model Wire Harness  |              |
|                | 37AH44DP3-24101 | 1   | AH3370 车架线束 (日野欧 3)<br>AH3370 Frame Wire Harness(HINO EU III )   |                                     | 对应 AH 车型线束<br>AH Model Wire Harness  |              |
|                | 37AH6DP3-24101  | 1   | AH3370 车架线束 (斯太尔)<br>AH3370 Frame Wire Harness(STEYR)            |                                     | 对应 AH 车型线束<br>AH Model Wire Harness  |              |
|                | 37AH6DP5-24101  | 1   | AH4000 车架线束 (斯太尔)<br>AH4000 Frame Wire Harness(STEYR)            |                                     | 对应 AH 车型线束<br>AH Model Wire Harness  |              |
|                | 37AH23D-24101   | 1   | AH 车架线束 (M11)<br>AH Frame Wire Harness(M11)                      |                                     | 对应 AH 车型线束<br>AH Model Wire Harness  |              |
|                | 37AH44D-24101   | 1   | AH 车架线束 (日野欧 3)<br>AH Frame Wire Harness(HINO EU III )           |                                     | 对应 AH 车型线束<br>AH Model Wire Harness  |              |
|                | 37AHD-24101     | 1   | AH 车架线束 (三菱)<br>AH Frame Wire Harness(MITSUBISHI)                |                                     | 对应 AH 车型线束<br>AH Model Wire Harness  |              |
|                | 37AHDQ-24101    | 1   | AH 车架线束 (三菱牵引)<br>AH Frame Wire Harness(MITSUBISHI Tractor)      |                                     | 对应 AH 车型线束<br>AH Model Wire Harness  |              |
|                | 37AH2D-24501    | 1   | AH 车架线束 (斯太尔)<br>AH Frame Wire Harness(STEYR)                    |                                     | 对应 AH 车型线束<br>AH Model Wire Harness  |              |
| 37AH2DP3-24501 | 1               | AH 车架线束 (斯太尔 AH4605)<br>AH Frame Wire Harness(STEYR AH4605) |  | 对应 AH 车型线束<br>AH Model Wire Harness |  |              |

## 整车线束 / COMPLETE VEHICLE WIRE HARNESS

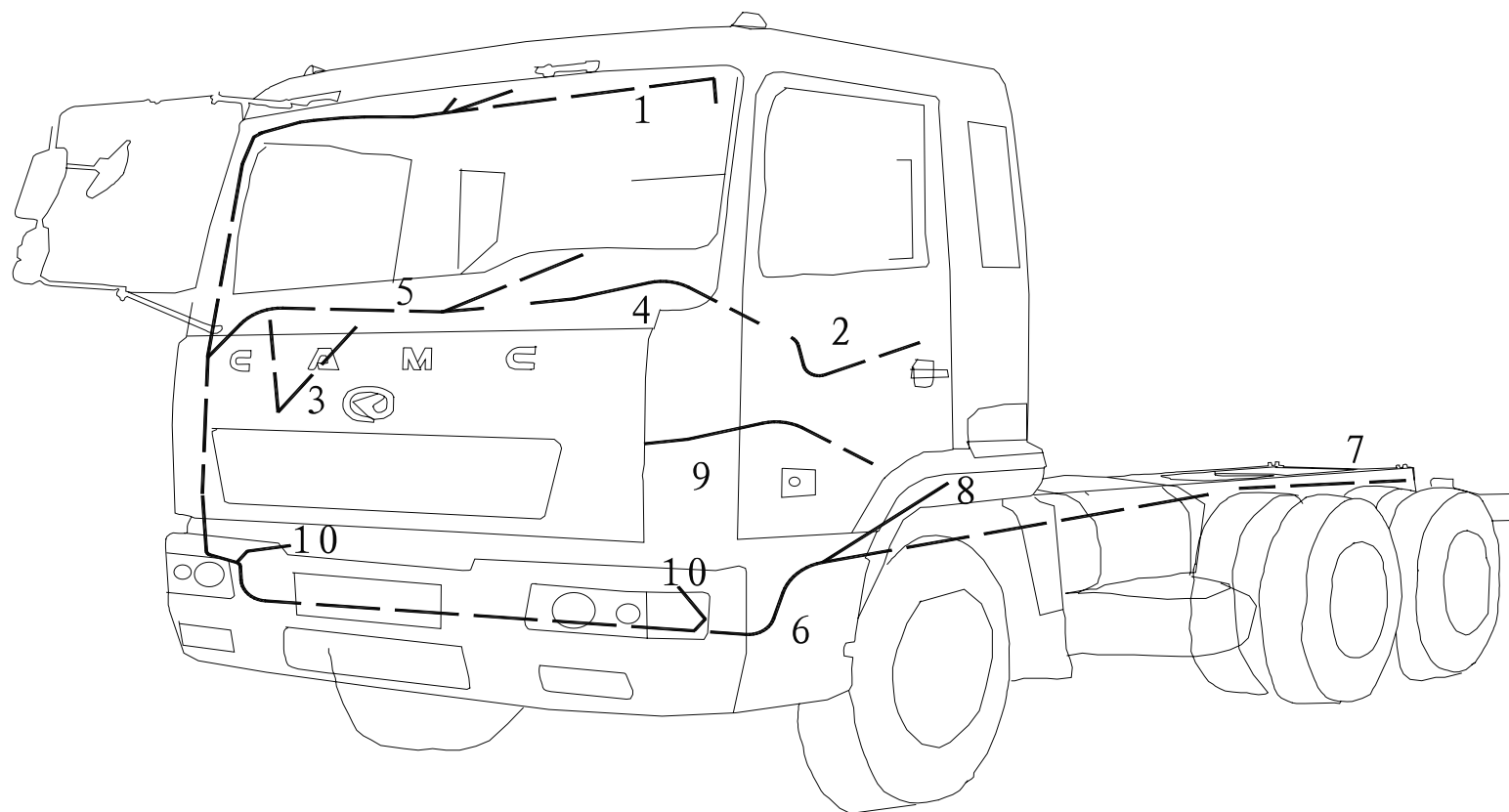
37-AD



| 序号<br>No.      | 件号<br>Part No. | 数量<br>Quantity   | 名称<br>Name  | 规格<br>Specification                 | 适用产品<br>Products Applied            | 备注<br>Remark |
|----------------|----------------|--|---|-------------------------------------|-------------------------------------|--------------|
| 6              | 37AH3D-254101  | 1  | AH 车架线束 (五十铃)<br>AH Frame Wire Harness(ISUZU)                                       |                                     | 对应 AH 车型线束<br>AH Model Wire Harness |              |
|                | 37AH4D-24101   | 1  | AH 车架线束 (康明斯)<br>AH Frame Wire Harness(CUMMINS)                                     |                                     | 对应 AH 车型线束<br>AH Model Wire Harness |              |
|                | 37AH16D-24101  | 1  | AH 车架线束 (日野)<br>AH Frame Wire Harness(HINO)   |                                     | 对应 AH 车型线束<br>AH Model Wire Harness |              |
|                | 37AH4D-24301   | 1  | AH 搅拌车车架线束 (康明斯)<br>AH Mixer Frame Wire Harness(CUMMINS)                            |                                     | 对应 AH 车型线束<br>AH Model Wire Harness |              |
|                | 37AH23DQ-24101 | 1  | AH 牵引车车架线束 (M11)<br>AH Tractor Frame Wire Harness(M11)                              |                                     | 对应 AH 车型线束<br>AH Model Wire Harness |              |
|                | 37AH4DQ-24101  | 1  | AH 牵引车车架线束 (康明斯)<br>AH Tractor Frame Wire Harness(CUMMINS)                          |                                     | 对应 AH 车型线束<br>AH Model Wire Harness |              |
|                | 37AH2DQ-24101  | 1  | AH 牵引车车架线束 (斯太尔)<br>AH Tractor Frame Wire Harness(STEYR)                            |                                     | 对应 AH 车型线束<br>AH Model Wire Harness |              |
|                | 37AH4DP5-24101 | 1  | AH 四桥车车架线束 (康明斯 AH4000)<br>AH 4-Axle Vehicle Frame Wire Harness(CUMMINS<br>AH4000)  |                                     | 对应 AH 车型线束<br>AH Model Wire Harness |              |
|                | 37AH4DP3-24101 | 1  | AH 四桥车车架线束 (康明斯 AH4605)<br>AH 4-Axle Vehicle Frame Wire Harness<br>(CUMMINS AH4605) |                                     | 对应 AH 车型线束<br>AH Model Wire Harness |              |
|                | 37AH4DP3-24501 | 1  | AH 四桥车架线束 (康明斯 AH3370)<br>AH 4-Axle Vehicle Frame Wire Harness<br>(CUMMINS AH3370)  |                                     | 对应 AH 车型线束<br>AH Model Wire Harness |              |
|                | 37AH3DP3-24101 | 1  | AH 四桥车架线束 (五十铃 4605)<br>AH 4-Axle Vehicle Frame Wire Harness<br>(ISUZU 4605)        |                                     | 对应 AH 车型线束<br>AH Model Wire Harness |              |
|                | 37AH3DP4-24101 | 1  | AH 四桥车架线束 (五十铃 3370)<br>AH 4-Axle Vehicle Frame Wire Harness<br>(ISUZU 3370)        |                                     | 对应 AH 车型线束<br>AH Model Wire Harness |              |
| 37AH4DP3-24301 | 1              | AH 四桥搅拌车架线束 (康明斯 AH3370)<br>AH 4-Axle Mixer Frame Wire Harness<br>(CUMMINS AH3370) |   | 对应 AH 车型线束<br>AH Model Wire Harness |                                     |              |

## 整车线束 / COMPLETE VEHICLE WIRE HARNESS

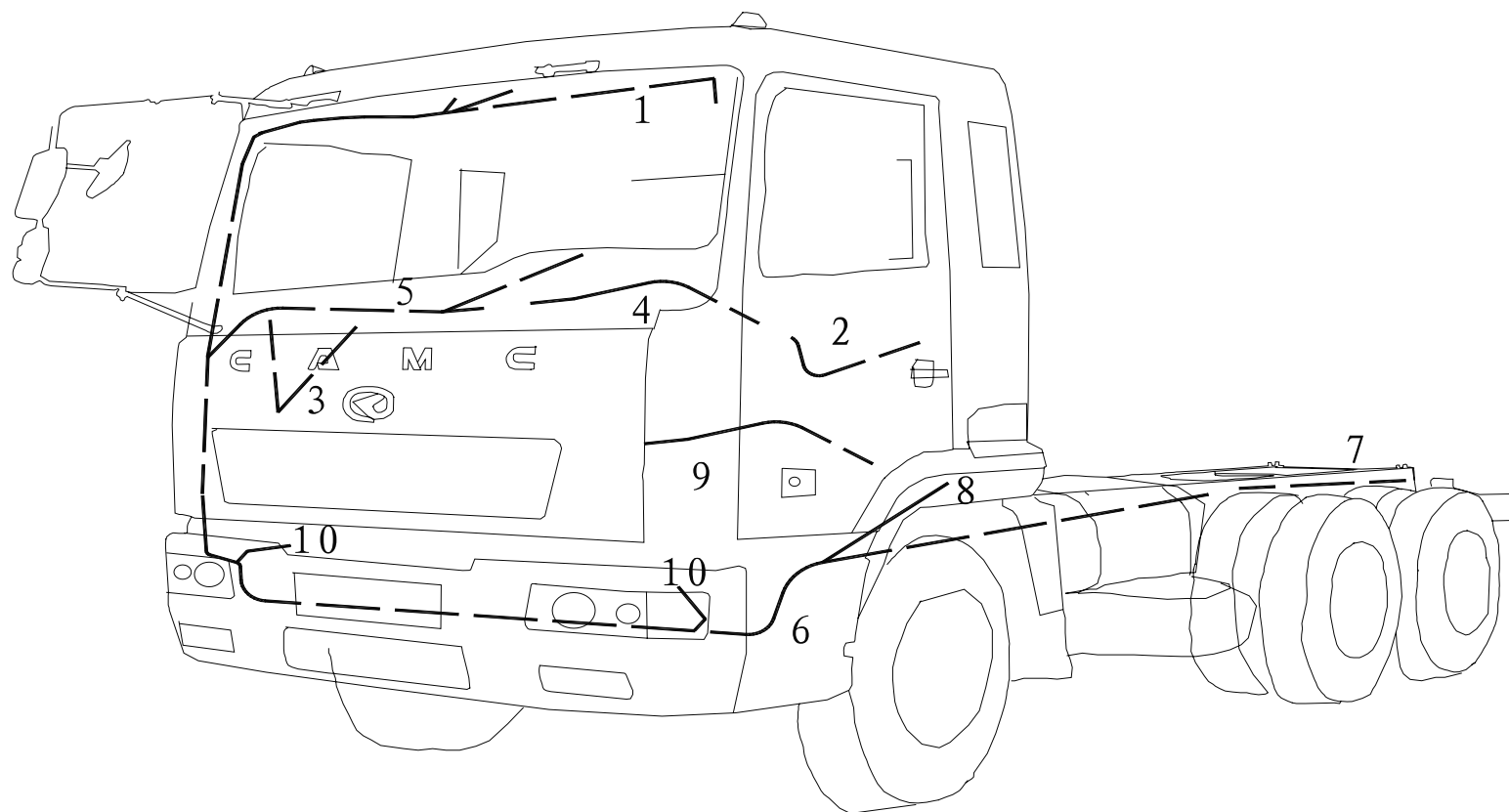
37-AD



| 序号<br>No.      | 件号<br>Part No.  | 数量<br>Quantity   | 名称<br>Name   | 规格<br>Specification | 适用产品<br>Products Applied   | 备注<br>Remark |
|----------------|-----------------|--|--|---------------------|--|--------------|
| 6              | 37AH52DP4-24101 | 1  | CAT 车架线束 (C9 3370)<br>CAT Frame Wire Harness(C9 3370)  |                     |  |              |
|                | 37AH52D-24101   | 1  | CAT 车架线束 (C9)<br>CAT Frame Wire Harness(C9)  |                     |  |              |
|                | 37A23DP3-24101  | 1  | 车架线束 (康明斯 M 系列 3370、4605)<br>Frame Wire Harness<br>(CUMMINS M Series 3370,4605)                          |                     |  |              |
|                | 37AD-24101      | 1  | 车架线束<br>Frame Wire Harness   |                     | 三菱 2005 年 6 月 30 日前生产的车架线束<br>Frame Wire Harness Produced By<br>MITSUBISHI Before June 30th,2005 |              |
|                | 37A16D-24101    | 1  | 车架线束 (日野)<br>Frame Wire Harness(HINO)  |                     |  |              |
|                | 37AD-24101-B    | 1  | 车架线束 (三菱)-B<br>Frame Wire Harness(MITSUBISHI)-B  |                     |  |              |
|                | 37A2D-24101     | 1  | 车架线束 (斯太尔)<br>Frame Wire Harness(STEYR)  |                     | 斯太尔 2005 年 6 月 30 日前生产的车架线束<br>Frame Wire Harness Produced By STEYR<br>Before June 30th,2005     |              |
|                | 37A3D-24101-B   | 1  | 车架线束 (五十铃)-B<br>Frame Wire Harness(ISUZU)-B  |                     |  |              |
|                | 37A3DP3-24101-B | 1  | 车架线束 (五十铃 3370、4605)-B<br>Frame Wire Harness(ISUZU 3370,4605)-B  |                     |  |              |
|                | 37A28D-24101    | 1  | 车架线束 (玉柴宽车)<br>Frame Wire Harness(Wide Cab Truck Equiped With<br>Engine Made By YUCHAI Engine Factory)   |                     |  |              |
|                | 37B25D-24101    | 1  | 车架线束 (玉柴窄车)<br>Frame Wire Harness(Narrow Cab Truck Equiped<br>With Engine Made By YUCHAI Engine Factory) |                     |  |              |
| 37B25DP5-24101 | 1               | 车架线束 (玉柴窄车)<br>Frame Wire Harness(Narrow Cab Truck Equiped<br>With Engine Made By YUCHAI Engine Factory) |  |                     |  |              |

## 整车线束 / COMPLETE VEHICLE WIRE HARNESS

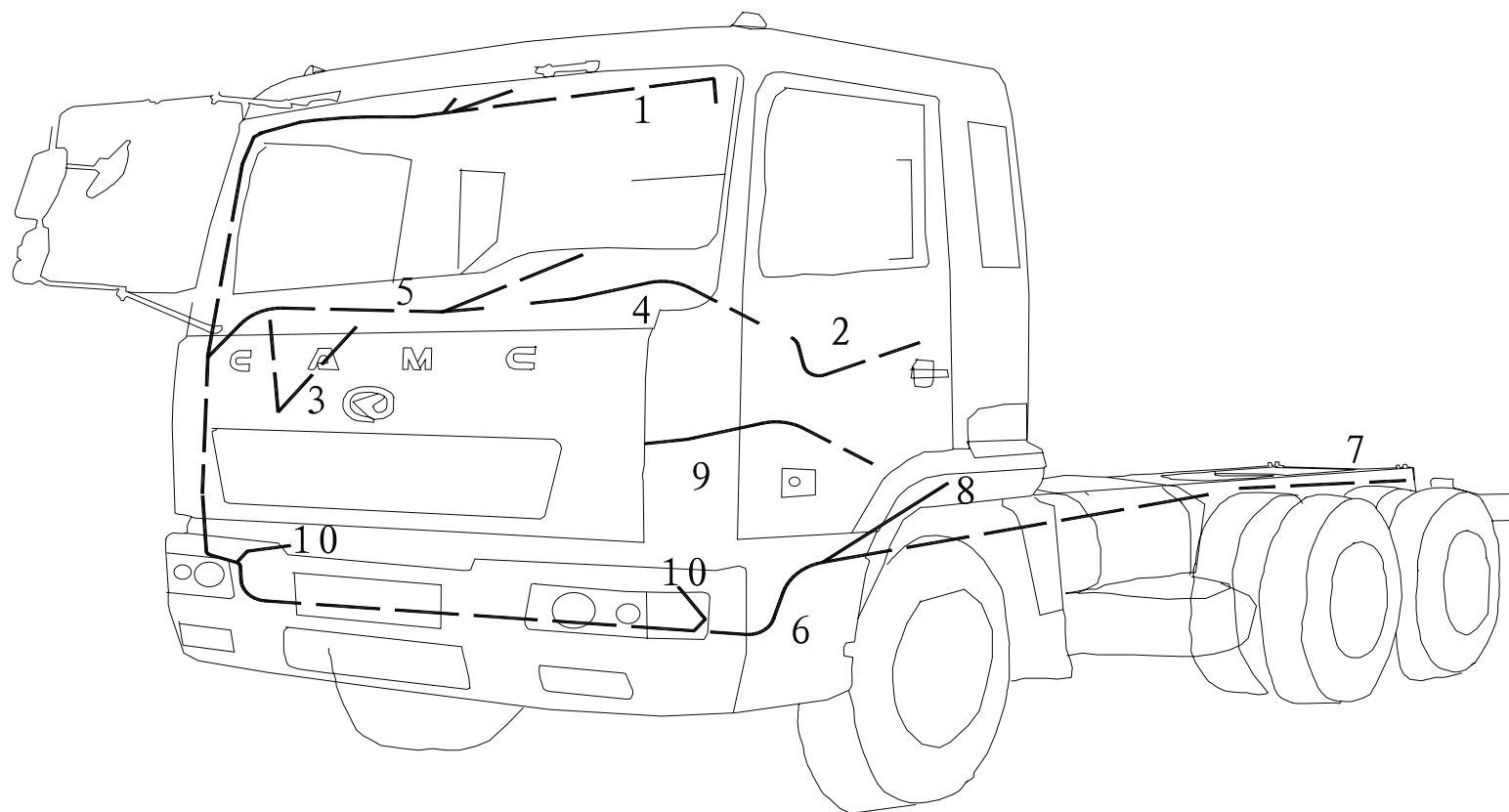
37-AD



| 序号<br>No. | 件号<br>Part No.   | 数量<br>Quantity | 名称<br>Name  | 规格<br>Specification | 适用产品<br>Products Applied  | 备注<br>Remark |
|-----------|------------------|----------------|---|---------------------|---|--------------|
| 6         | 37B2D-24101      | 1              | 车架线束 (杭发窄车)<br>Frame Wire Harness (Narrow Cab Truck Equiped With Engine Made By Hangzhou Engine Factory)            |                     |   |              |
|           | 37B35D-24101     | 1              | 车架线束 (康 B)<br>Frame Wire Harness(CUMMINS B)   |                     |   |              |
|           | 37A4D-24101      | 1              | 车架线束 (康明斯)<br>Frame Wire Harness(CUMMINS)   |                     | 康明斯 2005 年 6 月 30 日前生产的车架线束<br>Frame Wire Harness Produced By CUMMINS Before June 30th,2005 |              |
|           | 37A9DP5-24101    | 1              | 车架线束 (康明斯)<br>Frame Wire Harness(CUMMINS)   |                     | 康明斯 2005 年 6 月 30 日前生产的车架线束<br>Frame Wire Harness Produced By CUMMINS Before June 30th,2005 |              |
|           | 37A3D-24101      | 1              | 车架线束 (五十铃)<br>Frame Wire Harness(ISUZU)   |                     | 康明斯 2005 年 6 月 30 日前生产的车架线束<br>Frame Wire Harness Produced By CUMMINS Before June 30th,2005 |              |
|           | 3737A4DP-24101-B | 1              | 货车车架线束 (康明斯)-B<br>Truck Frame Wire Harness (CUMMINS)-B  |                     |   |              |
|           | 37A2DP-24101-B   | 1              | 货车车架线束 (斯太尔)-B<br>Truck Frame Wire Harness (STEYR)-B  |                     |   |              |
|           | 37A4D-24101-X    | 1              | 康明斯车架线束 (维修)<br>Frame Wire Harness Of The Truck Equiped With CUMMINS Engine (Service)                               |                     | 2005 年 6 月 30 日前生产的线束<br>Wire Harness Produced Before June 30th,2005                        |              |
|           | 37A4DQ-24101-X   | 1              | 康明斯牵引车车架线束 (维修)<br>Tractor Frame Wire Harness Equiped With CUMMINS Engine (Service)                                 |                     | 2005 年 6 月 30 日前生产的线束<br>Wire Harness Produced Before June 30th,2005                        |              |
|           | 37EH2DQ-24101    | 1              | 欧款斯太尔牵引车车架线束<br>Tractor Frame Wire Harness Equiped With Europe Model STEYR Engine                                   |                     | 对应欧款车型线束<br>Europe Model Wire Harness   |              |
|           | 37ADQ-24101      | 1              | 牵引车车架线束<br>Tractor Frame Wire Harness   |                     | 2005 年 6 月 30 日前生产的线束<br>Wire Harness Produced Before June 30th,2005                        |              |
|           | 37B2DQ-24101     | 1              | 牵引车车架线束 (杭发窄车)<br>Tractor Frame Wire Harness (Narrow Cab Truck Equiped With Engine Made By Hangzhou Engine Factory) |                     |   |              |

## 整车线束 / COMPLETE VEHICLE WIRE HARNESS

37-AD

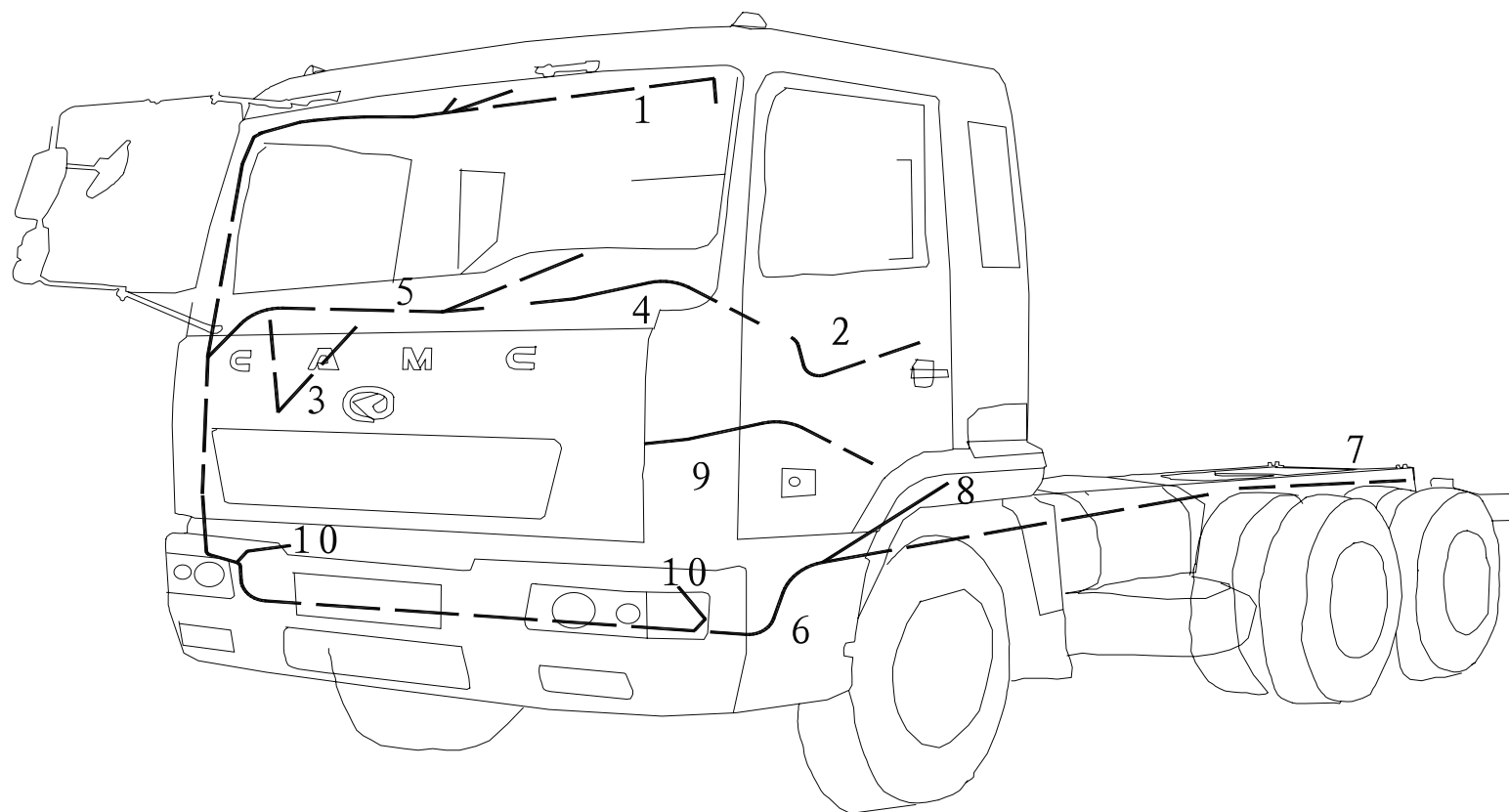




| 序号<br>No. | 件号<br>Part No.  | 数量<br>Quantity | 名称<br>Name  | 规格<br>Specification | 适用产品<br>Products Applied  | 备注<br>Remark |
|-----------|-----------------|----------------|---|---------------------|---|--------------|
| 6         | 37A4DQ-24101    | 1              | 牵引车车架线束 (康明斯)<br>Tractor Frame Wire Harness (CUMMINS)   |                     | 2005年6月30日前生产的线束<br>Wire Harness Produced Before June 30th,2005 |              |
|           | 37A33DQ1-24101  | 1              | 牵引车车架线束 (康明斯天然气)<br>Tractor Frame Wire Harness (CUMMINS Natural Gas)  |                     |   |              |
|           | 37A16DQ-24101   | 1              | 牵引车车架线束 (日野)<br>Tractor Frame Wire Harness (HINO)   |                     |   |              |
|           | 37AH44DQ-24101  | 1              | 牵引车车架线束 (日野欧3)<br>Tractor Frame Wire Harness (HINO EU III)  |                     |   |              |
|           | 37ADQ-24101-B   | 1              | 牵引车车架线束 (三菱)<br>Tractor Frame Wire Harness (MITSUBISHI)   |                     |   |              |
|           | 37A2DQ-24101    | 1              | 牵引车车架线束 (斯太尔)<br>Tractor Frame Wire Harness (STEYR)   |                     | 2005年6月30日前生产的线束<br>Wire Harness Produced Before June 30th,2005 |              |
|           | 37A3DQ-24101    | 1              | 牵引车车架线束 (五十铃)<br>Tractor Frame Wire Harness (ISUZU)   |                     | 2005年6月30日前生产的线束<br>Wire Harness Produced Before June 30th,2005 |              |
|           | 37A3DQ-24101-B  | 1              | 牵引车车架线束 (五十铃)-B<br>Tractor Frame Wire Harness (ISUZU)-B   |                     |   |              |
|           | 37B25DQ-24101   | 1              | 牵引车车架线束 (玉柴)<br>Tractor Frame Wire Harness (YUCHAI)   |                     |   |              |
|           | 37A28DQ-24101   | 1              | 牵引车车架线束 (玉柴宽车)<br>Tractor Frame Wire Harness (Wide Cab Tractor Equiped With Engine Made By YUCHAI Engine Factory) |                     |   |              |
|           | 37A23DQ-24101-B | 1              | 牵引车车架线束 (康明斯 M 系列)-B<br>Tractor Frame Wire Harness (CUMMINS M Series)-B   |                     |   |              |
|           | 37B35DP4-24101  | 1              | 四桥车架线束 (康明斯 B 3370)<br>4-Axle Vehicle Frame Wire Harness (CUMMINS B 3370)   |                     | 2005年6月30日前生产的线束<br>Wire Harness Produced Before June 30th,2005 |              |

## 整车线束 / COMPLETE VEHICLE WIRE HARNESS

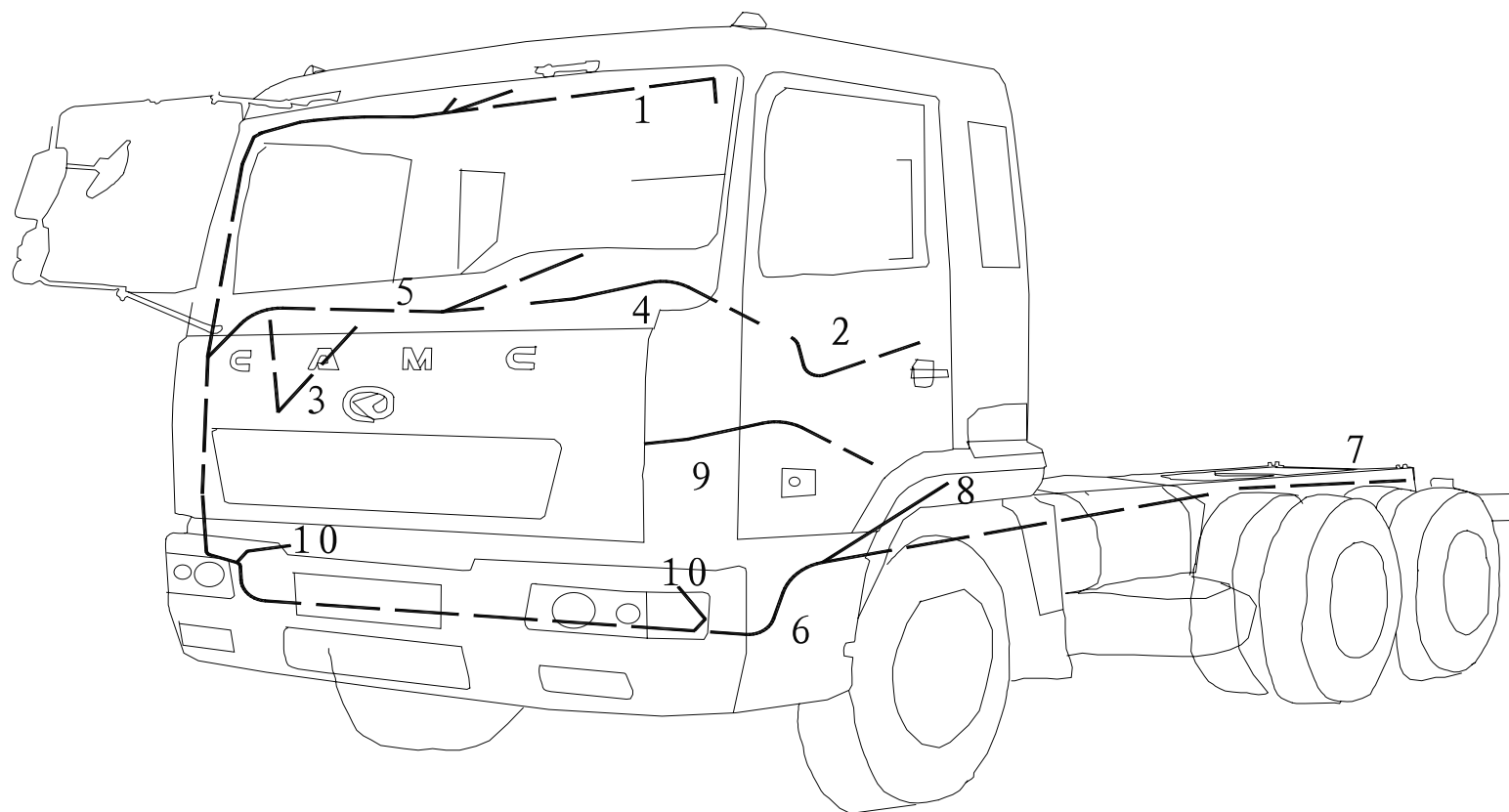
37-AD



| 序号<br>No.      | 件号<br>Part No.  | 数量<br>Quantity  | 名称<br>Name   | 规格<br>Specification | 适用产品<br>Products Applied   | 备注<br>Remark |
|----------------|-----------------|---|--|---------------------|--|--------------|
| 6              | 37ADP4-24101    | 1   | 四桥车架线束 (三菱 3370、4605)<br>4-Axle Vehicle Frame Wire Harness<br>(MITSUBISHI 3370,4605)   |                     | 2005年6月30日前生产的线束<br>Wire Harness Produced Before June<br>30th,2005 |              |
|                | 37ADP4-24101-B  | 1   | 四桥车架线束 (三菱 3370、4605)-B<br>4-Axle Vehicle Frame Wire Harness<br>(MITSUBISHI 3370,4605)-B   |                     |  |              |
|                | 37A4DP4-24101   | 1   | 四桥车架线束 (三菱 4605)<br>4-Axle Vehicle Frame Wire Harness<br>(MITSUBISHI 4605)   |                     | 2005年6月30日前生产的线束<br>Wire Harness Produced Before June<br>30th,2005 |              |
|                | 37B25DP3-24101  | 1   | 四桥车架线束 (玉柴窄车 4605)<br>4-Axle Vehicle Frame Wire Harness<br>(Narrow Cab Tractor Equiped With Engine Made By<br>YUCHAI Engine Factory,4605)  |                     |  |              |
|                | 37BH25DP5-24101 | 1   | 四桥车架线束 (玉柴窄体车 4000)<br>4-Axle Vehicle Frame Wire Harness<br>(Narrow Cab Tractor Equiped With Engine Made By<br>YUCHAI Engine Factory,4000) |                     |  |              |
|                | 37BH25DP3-24101 | 1   | 四桥车架线束 (玉柴窄体车 4605)<br>4-Axle Vehicle Frame Wire Harness(Narrow Cab<br>Tractor Equiped With Engine Made By YUCHAI<br>Engine Factory,4605)  |                     |  |              |
|                | 37A4DP4-24301-B | 1   | 四桥搅拌车车架线束 (康明斯 3370、4605)-B<br>4-Axle Mixer Frame Wire Harness<br>(CUMMINS 3370,4605)-B  |                     |  |              |
|                | 37A28DP3-24101  | 1   | 四桥宽车车架线束 (玉柴 3370、4605)<br>4-Axle Vehicle Frame Wire Harness With Wide Cab<br>(YUCHAI 3370,4605)   |                     |  |              |
|                | 37A28DP5-24101  | 1   | 四桥宽车车架线束 (玉柴 4000)<br>4-Axle Vehicle Frame Wire Harness With Wide Cab<br>(YUCHAI 4000)   |                     |  |              |
|                | 37A3DP3-24101   | 1   | 五十铃 4605 四桥货车车架线束<br>4-Axle Truck Frame Wire Harness (ISUZU 4605)  |                     | 2005年6月30日前生产的线束<br>Wire Harness Produced Before June<br>30th,2005 |              |
| 37BH6DP5-24101 | 1               | 窄车车架线束 (杭发、斯太尔 4000)<br>Frame Wire Harness Of The Truck Equiped With<br>Narrow Cab(Truck Equiped With Engine Made By<br>Hangzhou Engine Factory,STEYR 4000 Engine ) |  |                     |  |              |

## 整车线束 / COMPLETE VEHICLE WIRE HARNESS

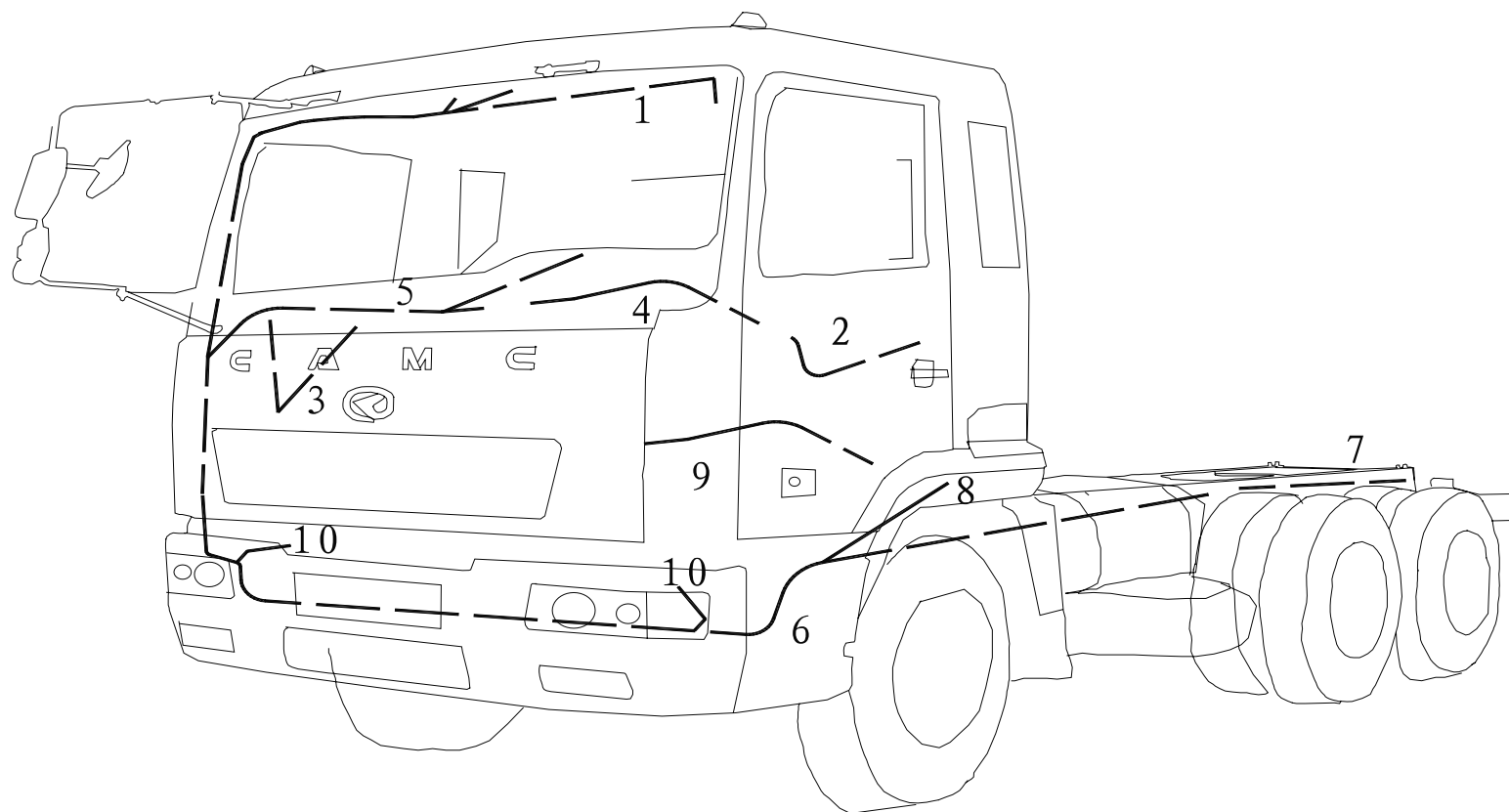
37-AD



| 序号<br>No. | 件号<br>Part No.  | 数量<br>Quantity | 名称<br>Name  | 规格<br>Specification | 适用产品<br>Products Applied                  | 备注<br>Remark |
|-----------|-----------------|----------------|---|---------------------|---|--------------|
| 6         | 37BH6DP3-24101  | 1              | 窄车车架线束 (杭发、斯太尔 4605)<br>Frame Wire Harness Of The Truck Equiped With Narrow Cab(Truck Equiped With Engine Made By Hangzhou Engine Factory,STEYR 4605 Engine ) |                     |   |              |
|           | 37BH2D-24101    | 1              | 窄车车架线束 (杭发、斯太尔)<br>Frame Wire Harness Of The Truck Equiped With Narrow Cab(Truck Equiped With Engine Made By Hangzhou Engine Factory,STEYR Engine )           |                     |   |              |
|           | 37BH35D-24101   | 1              | 窄车车架线束 (康B)<br>Frame Wire Harness Of The Truck Equiped With Narrow Cab(CUMMINS B)   |                     |   |              |
|           | 37BH21DQ-24101  | 1              | 窄车车架线束 (康明斯)<br>Frame Wire Harness Of The Truck Equiped With Narrow Cab(CUMMINS)  |                     |   |              |
|           | 37B25HDP9-24101 | 1              | 窄车车架线束 (玉柴 AH5850)<br>Frame Wire Harness Of The Truck Equiped With Narrow Cab(YUCHAI AH 5850)   |                     |   |              |
|           | 37B25DH-24101   | 1              | 窄车车架线束 (玉柴)<br>Frame Wire Harness Of The Truck Equiped With Narrow Cab(YUCHAI)  |                     |   |              |
|           | 37BH2DQ-24101   | 1              | 窄车牵引车车架线束 (杭发、斯太尔)<br>Tractor Frame Wire Harness Equiped With Narrow Cab (Truck Equiped With Made By HangZhou Engine Factory,STEYR Engine)                    |                     |   |              |
|           | 37AHDQ-24101    | 1              | AH 牵引车架线束 (三菱)<br>AH Tractor Frame Wire Harness(MITSUBISHI)   |                     | 三菱 AH 牵引车型<br>MITSUBISHI AH Tractor Model |              |
|           | 37AH2DQ16-24101 | 1              | AH 双前桥牵引车架线束 (斯太尔)<br>AH Double Front Axle Tractor Frame Wire Harness(STEYR)  |                     | HN4211Z31B8M                              |              |
|           | 37AH2DQ17-24101 | 1              | AH 牵引车架线束 (斯太尔 2750)<br>AH Tractor Frame Wire Harness(STEYR 2750)   |                     | HN4211Z34B7M                              |              |

## 整车线束 / COMPLETE VEHICLE WIRE HARNESS

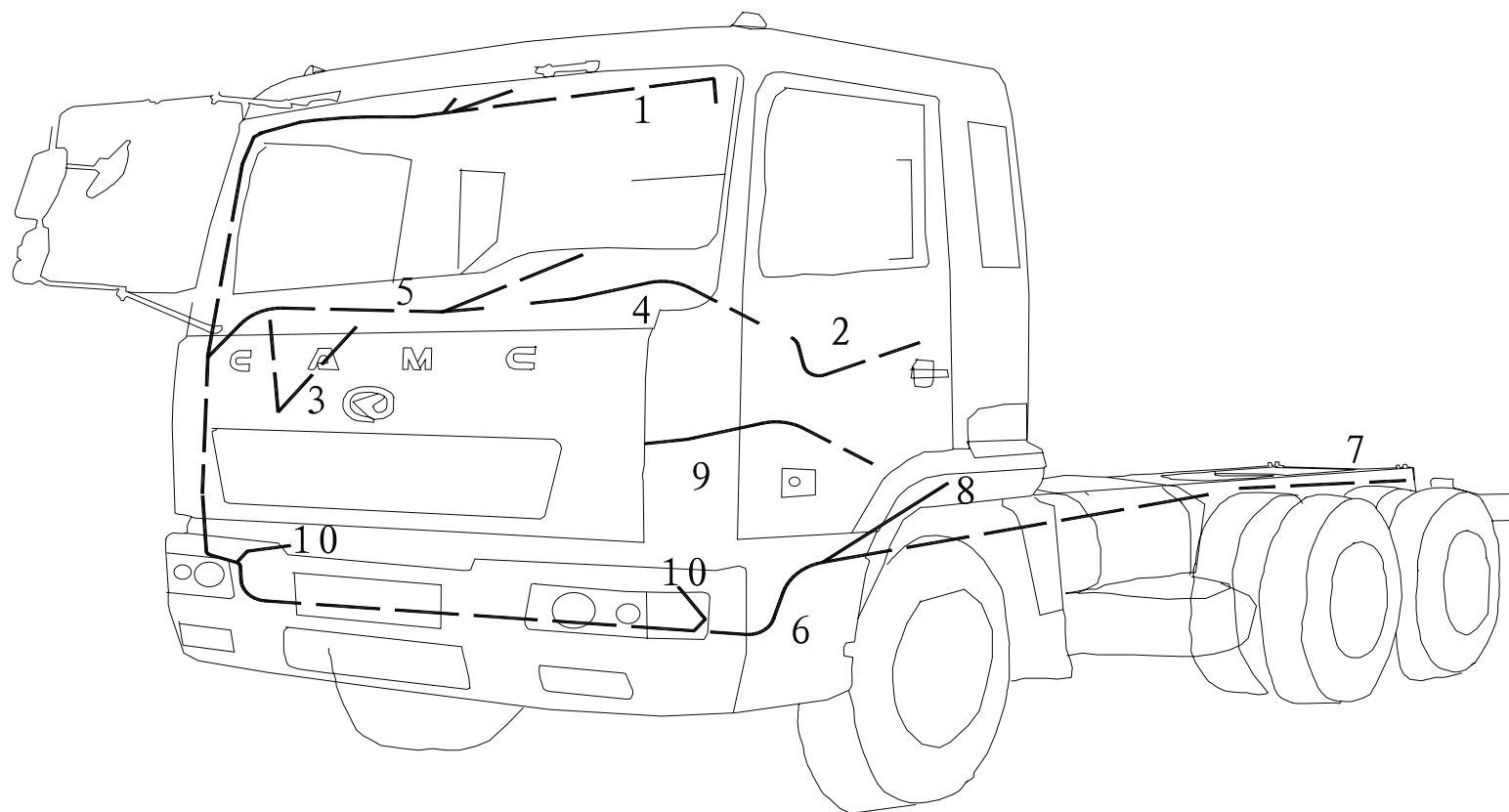
37-AD



| 序号<br>No.     | 件号<br>Part No.  | 数量<br>Quantity  | 名称<br>Name   | 规格<br>Specification                   | 适用产品<br>Products Applied  | 备注<br>Remark |
|---------------|-----------------|---|--|---------------------------------------|---|--------------|
| 6             | 37AH59DQ-24101  | 1   | 潍柴欧III牵引车架线束<br>WEICHAI Euro III Tractor Frame Wire Harness  |                                       | 潍柴 WP10 牵引车型<br>WEICHAI WP10 Tractor Model                                |              |
|               | 37AH59D-24101   | 1   | 潍柴欧III车架线束<br>WEICHAI Euro III Frame Wire Harness  |                                       | 潍柴欧III搅拌、潍柴欧III自卸<br>WEICHAI EU III Mixer,<br>WEICHAI Euro III Dump Truck |              |
|               | 37AH43D-24101   | 1   | ISL 车架线束 (CM2150C)<br>ISL Frame Wire Harness(CM2150C)  |                                       | 康明斯 ISLe 搅拌车型<br>CUMMINS ISLe Mixer Model                                 |              |
|               | 37AH53D-24101   | 1   | 杭发欧III车架线束<br>HANGFA Euro III Frame Wire Harness   |                                       | 杭发欧III 3600 自卸车型<br>HANGFA Euro III Dump Truck Model                      |              |
|               | 37AH59DQ-24101  | 1   | 潍柴欧III牵引车架线束<br>WEICHAI Euro III Tractor Frame Wire Harness  |                                       | 潍柴欧III WP10 牵引车型<br>WEICHAI Euro III WP10 Tractor Model                   |              |
|               | 37AH82DQ-24101  | 1   | AH 牵引车车架线束 (斯太尔 WD12)<br>AH Tractor Frame Wire Harness(STEYR WD12)   |                                       | 潍柴 WD12 牵引车型<br>WEICHAI WD12 Tractor Model                                |              |
|               | 37BH25DP5-24101 | 1   | 四桥车架线束 (玉柴窄车 4000)<br>4-Axle Vehicle Frame Wire Harness(Narrow Cab<br>Truck Equiped With Engine made By YUCHAI<br>Engine Factory,4000) |                                       | 玉柴 HOWO 窄体双前桥车型<br>YUCHAI HOWO Narrow Cab Double Front<br>Axle Model      |              |
|               | 37AH93DP3-24101 | 1   | 四桥 4605 车架线束 (三菱欧III泵车)<br>4-Axle 4605 Frame Wire Harness(MITSUBISHI<br>Euro III Pump Truck)   |                                       | 三菱欧III 4605 泵车<br>MITSUBISHI Euro III 4605 Pump Truck                     |              |
|               | 37AH52D-24101   | 1   | CAT 车架线束 (C9)<br>CAT Frame Wire Harness(C9)  |                                       | 卡特 C9 3600 搅拌<br>CATER C9 3600 Mixer                                      |              |
|               | 37AH50DQ-24101  | 1   | CAT 牵引车车架线束 (C13)<br>CAT Tractor Frame Wire Harness(C13)   |                                       | 卡特 C13 牵引<br>CATER C13 Tractor  |              |
| 37AH82D-24101 | 1               | AH 车架线束 (斯太尔 WD12)<br>AH Frame Wire Harness(STEYR WD12) |  | 潍柴 WD12 自卸<br>WEICHAI WD12 Dump Truck |   |              |

## 整车线束 / COMPLETE VEHICLE WIRE HARNESS

37-AD

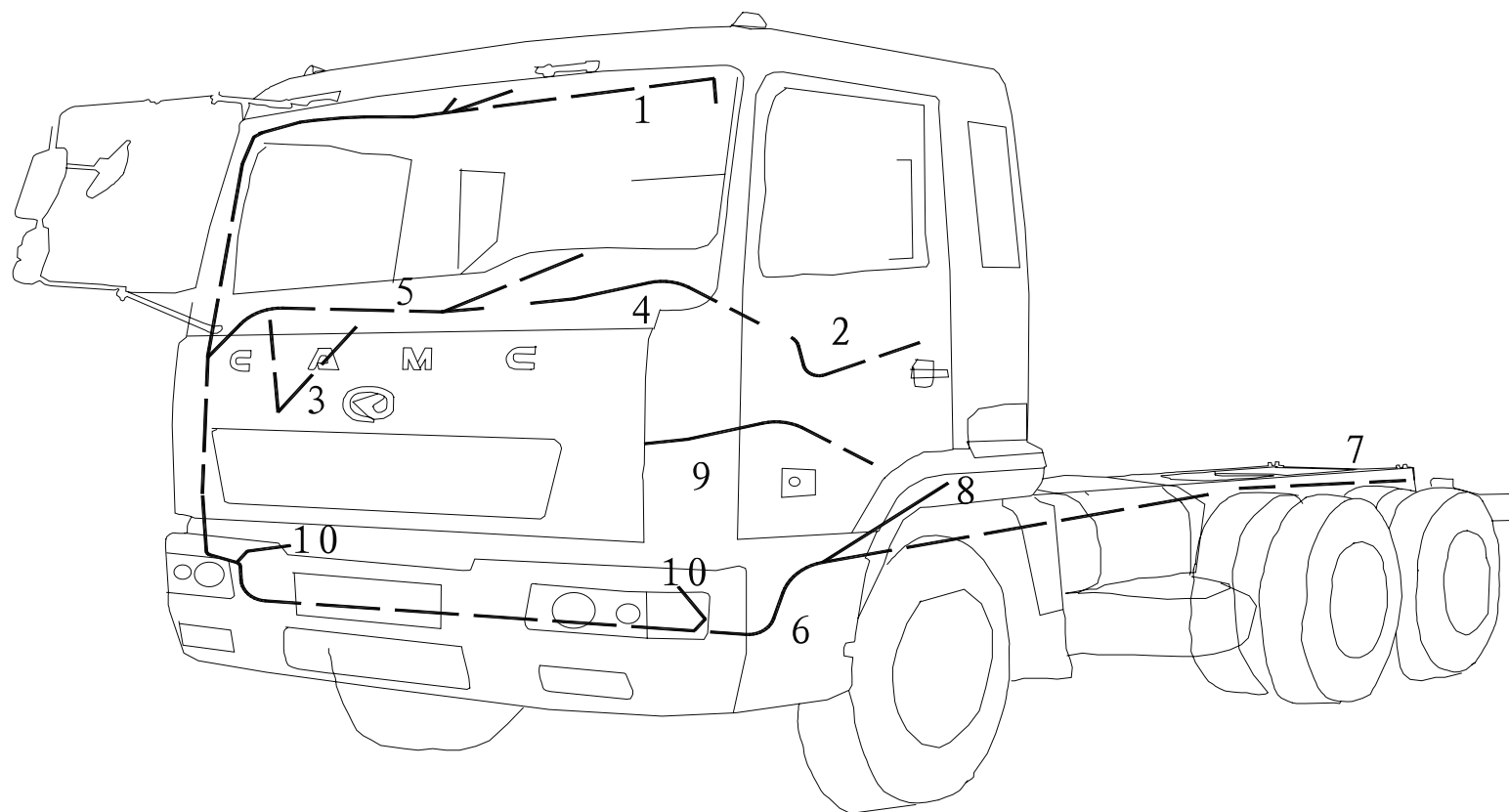




| 序号<br>No. | 件号<br>Part No.  | 数量<br>Quantity | 名称<br>Name   | 规格<br>Specification | 适用产品<br>Products Applied   | 备注<br>Remark |
|-----------|-----------------|----------------|--|---------------------|--|--------------|
| 6         | 37BH25DP5-24101 | 1              | 四桥车架线束 (玉柴窄车 4000)<br>4-Axle Vehicle Frame Wire Harness(Narrow Cab<br>Truck Equiped With Engine made By YUCHAI<br>Engine Factory,4000) |                     | 玉柴 HOWO 窄体双前桥车型 1850+5310<br>YUCHAI HOWO Narrow Cab Double Front<br>Axle Model 1850+5310 |              |
|           | 37AH93DQ-24101  | 1              | 车架线束 (三菱欧III)<br>Frame Wire Harness(MITSUBISHI Euro III )  |                     | 三菱欧III牵引<br>MITSUBISHI Euro III Tractor  |              |
| 7         | 37AD-24102-B    | 1              | 车尾线束 -B<br>Tail Wire Harness-B   |                     | 搅拌机, 自卸车<br>Mixer, Dump Truck  |              |
|           | 37ADQ-24102-B   | 1              | 牵引车车尾线束 -B<br>Tractor Tail Wire Harness-B  |                     | 牵引车<br>Tractor   |              |
|           | 37ADP-24102-B   | 1              | 货车尾灯线束 -B<br>Truck Taillamp Wire Harness-B   |                     | 货车尾灯线束<br>Truck Taillamp Wire Harness  |              |
|           | 37AHD-24102     | 1              | AH 尾灯线束<br>AH Taillamp Wire Harness  |                     | 3600 轴距车型<br>3600 Wheel Base Model   |              |

## 整车线束 / COMPLETE VEHICLE WIRE HARNESS

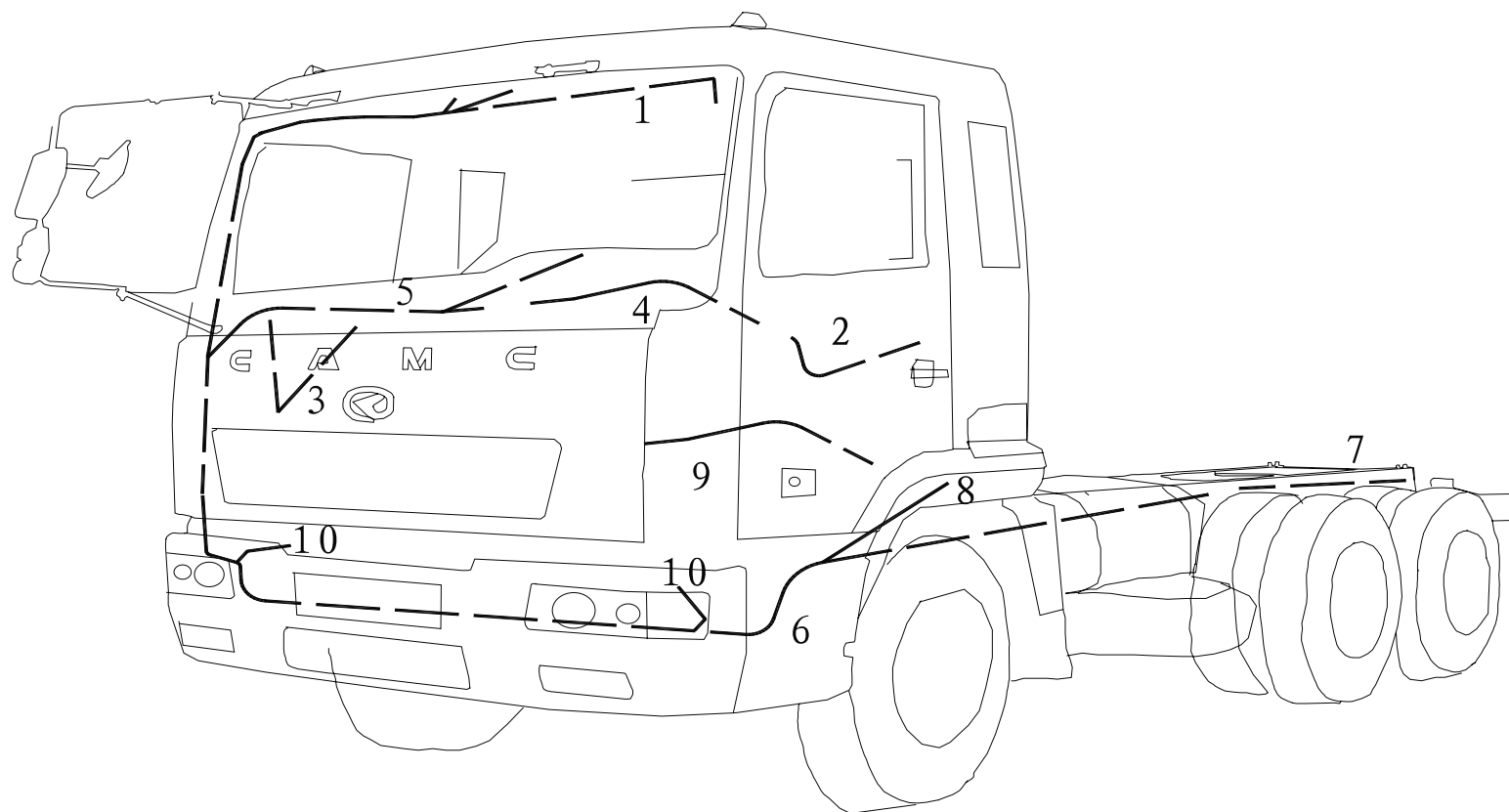
37-AD



| 序号<br>No. | 件号<br>Part No. | 数量<br>Quantity | 名称<br>Name  | 规格<br>Specification | 适用产品<br>Products Applied                                    | 备注<br>Remark |
|-----------|----------------|----------------|---|---------------------|---|--------------|
| 7         | 37AHDP-24102   |                | AH 货车尾灯线束<br>AH Truck Taillamp Wire Harness                               |                     | 货车<br>Truck   |              |
|           | 37AHDQ-24102   |                | AH 牵引车尾灯线束<br>AH Tractor Taillamp Wire Harness                            |                     | 牵引车<br>Tractor  |              |
|           | 37AD-24102-B1  |                | 尾灯线束 -B1 (3200)<br>Taillamp Wire Harness-B1(3200)                         |                     | 出口车用<br>Export Vehicle                                      |              |
|           | 37AD-24102     | 1              | 尾灯线束<br>Taillamp Wire Harness   |                     | 2005-06-30 前的车型<br>Vehicle Produced Before June 30th,2005   |              |
|           | 37ADP-24102    | 1              | 尾灯线束<br>Taillamp Wire Harness   |                     | 2005-06-30 前的货车车型<br>Truck Produced Before June 30th,2005   |              |
|           | 37ADQ-24102    | 1              | 尾灯线束<br>Taillamp Wire Harness   |                     | 2005-06-30 前的牵引车型<br>Tractor Produced Before June 30th,2005 |              |
|           | 37B25DP-24102  | 1              | 窄车货车尾灯线束<br>Taillamp Wire Harness Of The Truck Equiped With Narrow Cab    |                     | 窄车相应车型<br>Correspond To Truck With Narrow Cab               |              |
|           | 37B25DQ-24102  | 1              | 窄车牵引车尾灯线束<br>Taillamp Wire Harness Of The Tractor Equiped With Narrow Cab |                     | 窄车相应车型<br>Correspond To Truck With Narrow Cab               |              |
|           | 37B25D-24102   | 1              | 窄车尾灯线束<br>Taillamp Wire Harness Of The Tractor Equiped With Narrow Cab    |                     | 窄车相应车型<br>Correspond To Truck With Narrow Cab               |              |
|           | 37BHDP-24102   | 1              | 窄车货车尾灯线束<br>Taillamp Wire Harness Of The Truck Equiped With Narrow Cab    |                     | 窄车 AH 相应车型<br>Correspond To AH Truck With Narrow Cab        |              |
|           | 37BHD-24102    | 1              | 窄车尾灯线束<br>Taillamp Wire Harness Of The Truck Equiped With Narrow Cab      |                     | 窄车 AH 相应车型<br>Correspond To AH Truck With Narrow Cab        |              |
| 8         | 37AH23D-03040  | 1              | AH 起动电源电缆 (M11)<br>AH Starter Electrical Power Cable(M11)                 |                     | 对应 AH 车型<br>AH Model  |              |
|           | 37AH44D-03040  | 1              | AH 起动电源电缆 (日野)<br>AH Starter Electrical Power Cable(HINO)                 |                     | 对应 AH 车型<br>AH Model  |              |

## 整车线束 / COMPLETE VEHICLE WIRE HARNESS

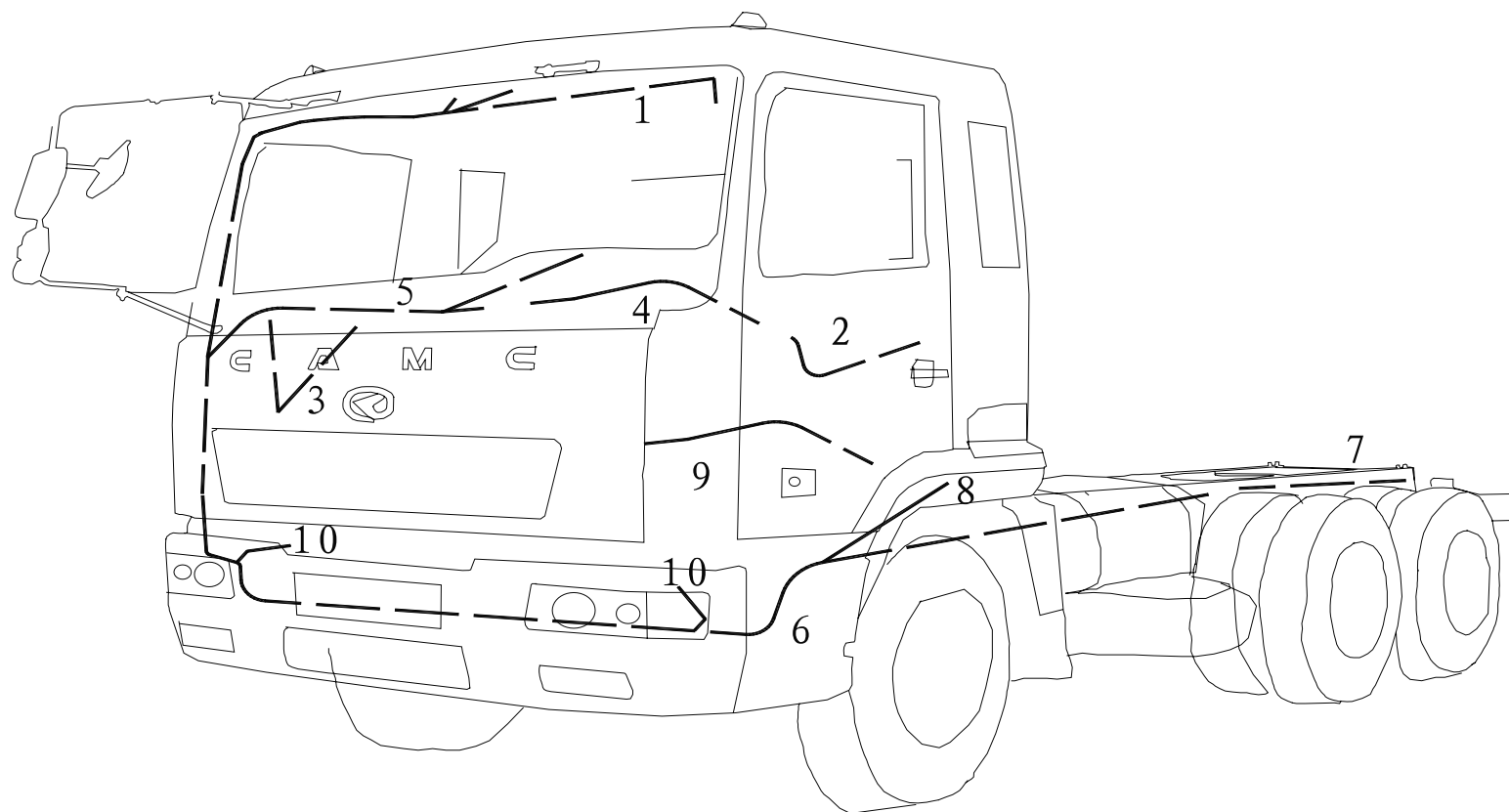
37-AD



| 序号<br>No.      | 件号<br>Part No.  | 数量<br>Quantity  | 名称<br>Name   | 规格<br>Specification  | 适用产品<br>Products Applied   | 备注<br>Remark |
|----------------|-----------------|---|--|----------------------|--|--------------|
| 8              | 37AH44D-03049   | 1   | AH 起动电源电缆 (日野欧 3)<br>AH Starter Electrical Power Cable(HINO Euro III )                           |                      | 对应 AH 车型<br>AH Model   |              |
|                | 37AH2D-03540    | 1   | AH 起动电源电缆 (斯太尔)<br>AH Starter Electrical Power Cable(STEYR)                                      |                      | 对应 AH 车型<br>AH Model   |              |
|                | 37A4D-03041     | 1   | 起动机电源电缆 (康明斯大同变速箱)<br>Starter Electrical Power Cable(CUMMINS Engine<br>And Datong Transmission)  |                      | 适用于 (康明斯大同变速箱所有车型)<br>Truck CUMMINS With CUMMINS Engine And<br>Datong Transmission |              |
|                | 37AH4D-03040    | 1   | AH 起动电源电缆 (康明斯)<br>AH Starter Electrical Power Cable(CUMMINS)                                    |                      | 对应 AH 车型<br>AH Model   |              |
|                | 37AHDQ-03040    | 1   | AH 起动机电源电缆 (三菱牵引)<br>AH Starter Electrical Power Cable<br>(MITSUBISHI Tractor)                   |                      | 对应 AH 车型<br>AH Model   |              |
|                | 37AH23DQ-03040  | 1   | AH 牵引车起动电源电缆 (M11)<br>AH Tractor Starter Electrical Power Cable (M11)                            |                      | 对应 AH 车型<br>AH Model   |              |
|                | 37AH4DQ-03040   | 1   | AH 牵引车起动电源电缆 (康明斯)<br>AH Tractor Starter Electrical Power Cable<br>(CUMMINS)                     |                      | 对应 AH 车型<br>AH Model   |              |
|                | 37AH2DQ-03040   | 1   | AH 牵引车起动电源电缆 (斯太尔)<br>AH Tractor Starter Electrical Power Cable (STEYR)                          |                      | 对应 AH 车型<br>AH Model   |              |
|                | 37AH44DQ-03040  | 1   | AH 牵引车起动电源电缆 (日野欧 3)<br>AH Tractor Starter Electrical Power Cable<br>(HINO Euro III )            |                      | 对应 AH 车型<br>AH Model   |              |
|                | 37AH4DP3-03040  | 1   | AH 四桥车起动电源电缆 (康明斯 AH4605)<br>AH 4-Axle Vehicle Starter Electrical Power<br>Cable(CUMMINS AH4605) |                      | 对应 AH 车型<br>AH Model   |              |
|                | 37AH23DP3-03040 | 1   | AH 四桥起动电源电缆 (M11 3370)<br>AH 4-Axle Vehicle Starter Electrical Power Cable<br>(M11 3370)         |                      | 对应 AH 车型<br>AH Model   |              |
|                | 37AH6DP5-03040  | 1   | AH 四桥起动电源电缆 (斯太尔)<br>AH 4-Axle Vehicle Starter Electrical Power<br>Cable(STEYR)                  |                      | 对应 AH 车型<br>AH Model   |              |
| 37AH2DP3-03540 | 1               | AH 四桥起动电源电缆 (斯太尔 AH4605)<br>AH 4-Axle Vehicle Starter Electrical Power<br>Cable(STEYR AH4605) |  | 对应 AH 车型<br>AH Model |  |              |

## 整车线束 / COMPLETE VEHICLE WIRE HARNESS

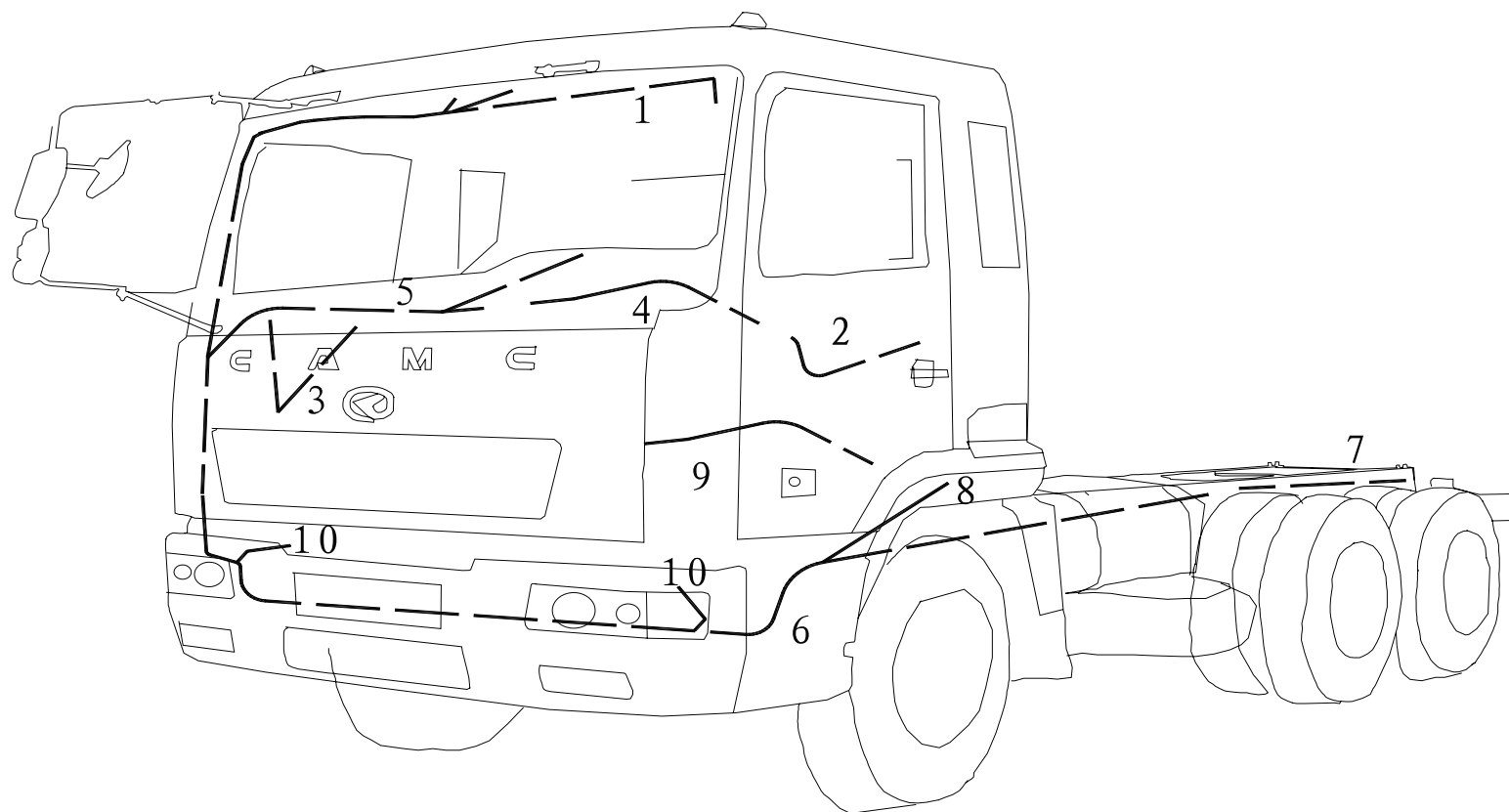
37-AD



| 序号<br>No. | 件号<br>Part No. | 数量<br>Quantity | 名称<br>Name   | 规格<br>Specification | 适用产品<br>Products Applied  | 备注<br>Remark |
|-----------|----------------|----------------|--|---------------------|---|--------------|
| 8         | 37AH6DP3-03040 | 1              | AH 四桥起动电源电缆 ( 斯太尔 3370)<br>AH 4-Axle Vehicle Starter Electrical Power<br>Cable(STEYR 3370)       |                     | 对应 AH 车型<br>AH Model  |              |
|           | 37B35D-03040   | 1              | 起动机电源电缆 ( 康 B)<br>Starter Electrical Power Cable(CUMMINS B)                                      |                     | 康明斯 B 系列发动机车型<br>Model With CUMMINS B Series Engine                               |              |
|           | 37A23DP3-03040 | 1              | 起动电源电缆 ( 四桥康明斯 M 系列 )<br>Starter Electrical Power Cable(4-Axle Vehicle And<br>CUMMINS M Series ) |                     | 四桥康明斯 M 系列发动机车型<br>Model With 4-Axle Vehicle And CUMMINS M<br>Series Engine       |              |
|           | 37A2D-03040    | 1              | 起动机电源电缆 ( 斯太尔 )<br>Starter Electrical Power Cable(STEYR)   |                     | 斯太尔系列除 4 桥车<br>STEYR Series Except 4-Axle Vehicle                                 |              |
|           | 37A3D-03040    | 1              | 起动机电源电缆<br>Starter Electrical Power Cable  |                     | 五十铃系列车型除 4 桥车<br>ISUZU Series Except 4-Axle Vehicle                               |              |
|           | 37A4D-03040    | 1              | 起动机电源电缆<br>Starter Electrical Power Cable  |                     | 适用于 ( 康明斯陕齿变速箱所有车型 )<br>All Model With CUMMINS Engine And<br>Shanchi Transmission |              |
|           | 37A4DP5-03040  | 1              | 起动机电源电缆<br>Starter Electrical Power Cable  |                     | 适用于康明斯 4000 轴距非 AH 车型<br>Model With CUMMINS 4000 Wheel Base<br>Except AH Model    |              |
|           | 37AD-03040     | 1              | 起动机电源电缆<br>Starter Electrical Power Cable  |                     | 适用于三菱非 AH 车型<br>MITSUBISHI Except AH Model  |              |
|           | 37A4DP4-03042  | 1              | 起动机电源电缆 ( 康明斯四桥搅拌车 )<br>Starter Electrical Power Cable<br>(CUMMINS 4-Axle Mixer )                |                     | 康明斯 3370 四桥搅拌车<br>CUMMINS 3370 4-Axle Mixer                                       |              |
|           | 37A3DP3-03040  | 1              | 起动机电源电缆 ( 四桥 )<br>Starter Electrical Power Cable(4-Axle )  |                     | 适用于康明斯、4000、3370 和 4605 的四桥车<br>CUMMINS,4000,3370 And 4605 4-Axle<br>Model        |              |
|           | 37A6DP3-03040  | 1              | 起动机电源电缆 ( 斯太尔四桥 )<br>Starter Electrical Power Cable(STEYR 4-Axle )                               |                     | 斯太尔 4605 四桥车<br>STEYR 4605 4-Axle Model   |              |
|           | 37A6DP5-03040  | 1              | 起动机电源电缆 ( 四桥 )<br>Starter Electrical Power Cable(4-Axle )  |                     | 斯太尔 4000 四桥车<br>STEYR 4000 4-Axle Model   |              |
|           | 37ADP4-03040   | 1              | 起动机电源电缆 ( 四桥 )<br>Starter Electrical Power Cable(4-Axle )  |                     | 三菱 3370 四桥车<br>MITSUBISHI 3370 4-Axle Model                                       |              |

## 整车线束 / COMPLETE VEHICLE WIRE HARNESS

37-AD

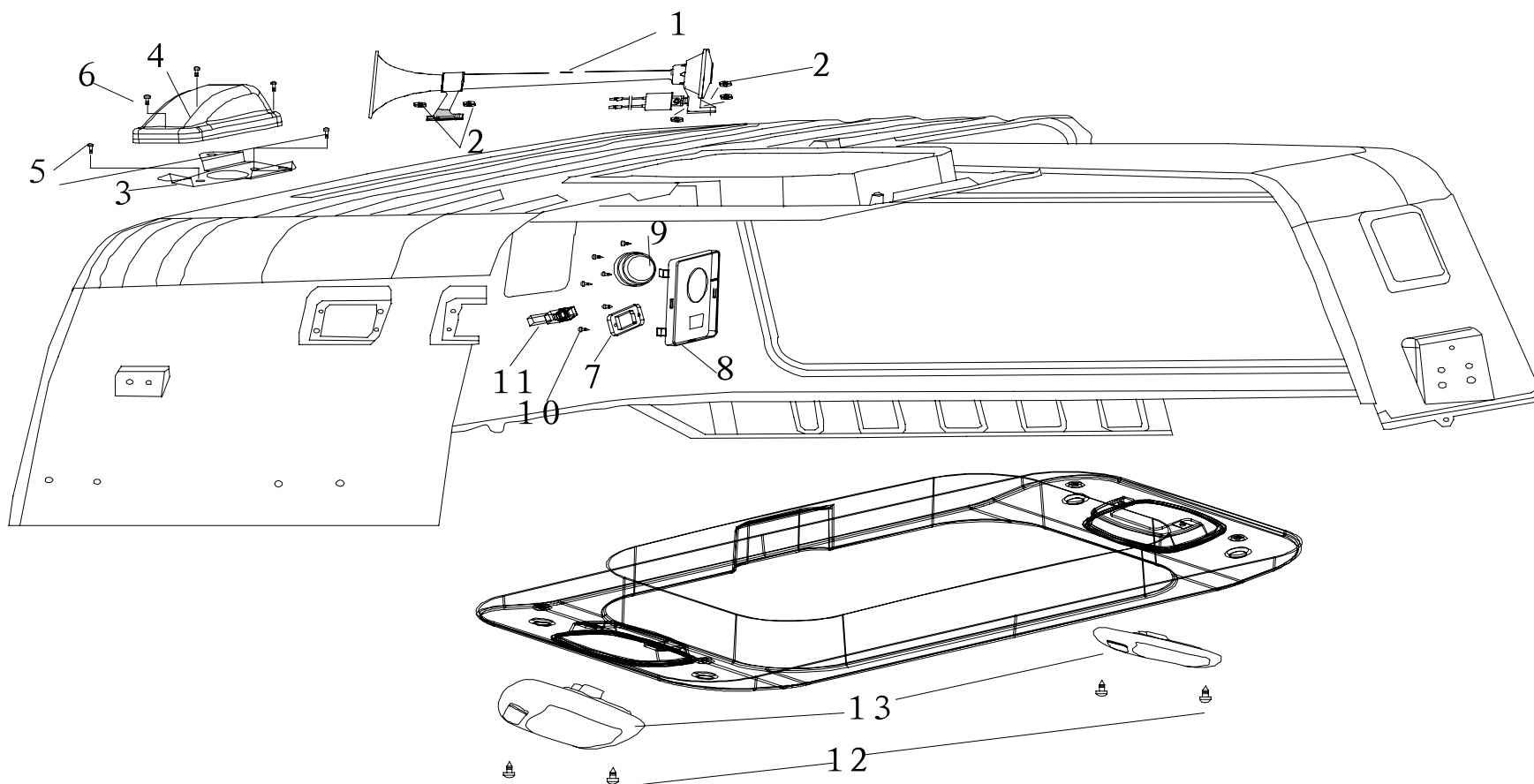




| 序号<br>No. | 件号<br>Part No.  | 数量<br>Quantity | 名称<br>Name   | 规格<br>Specification | 适用产品<br>Products Applied   | 备注<br>Remark |
|-----------|-----------------|----------------|--|---------------------|--|--------------|
| 8         | 37B25DP5-03040  | 1              | 起动机电源电缆（四桥）<br>Starter Electrical Power Cable(4-Axle )                                   |                     | 玉柴窄车 4000 车型<br>Narrow Cab 4000 Truck Equiped With Engine<br>Made By YUCHAI Engine Factory |              |
|           | 37AH4DZ-03040   | 1              | 起动机电源电缆 -2900<br>Starter Electrical Power Cable-2900                                     |                     |  |              |
|           | 37A23D-03040    | 1              | 起动机电源电缆（康明斯 M 系列）<br>Starter Electrical Power Cable(CUMMINS M Series)                    |                     | 康明斯 M 系列启动电缆<br>Starter Electrical Power Cable Of CUMMINS<br>M Series Engine               |              |
|           | 37BH35D-03040   | 1              | 起动机电源电缆（康 B）<br>Starter Electrical Power Cable(CUMMINS B)                                |                     | 康 B 系列发动机 BH 车型<br>CUMMINS B Series Engine BH Model  |              |
|           | 37A4D-03042     | 1              | 起动机电源电缆（康明斯搅拌车）<br>Starter Electrical Power Cable(CUMMINS Mixer)                         |                     | 康明斯搅拌车<br>CUMMINS Mixer  |              |
|           | 37AH93DP3-03040 | 1              | 三菱欧III四桥起动机电缆 -6200<br>MITSUBISHI Euro III 4-Axle Starter Electrical Power<br>Cable-6200 |                     | 三菱欧III 4605 泵车<br>MITSUBISHI Euro III 4605 Pump Truck                                      |              |
| 9         | 37A2D-24109     | 1              | 发动机搭铁线<br>Engine Ground Cable  |                     | 适用于斯太尔所有车型<br>All Model Of STEYR   |              |
|           | 37A4D-24109     | 1              | 发动机搭铁线<br>Engine Ground Cable  |                     | 适用于康明斯所有车型<br>All Model Of CUMMINS Engine  |              |
|           | 37A22D-24110    | 1              | M 系列起动机搭铁线<br>M Series Starter Ground Cable  |                     | 适用于康明斯 M 系列所有车型<br>All Model Of CUMMINS M Series   |              |
|           | 37AH50D-24109   | 1              | 发动机搭铁电缆<br>Engine Ground Cable   |                     | 卡特发动机系列车型<br>Model Equiped With CATER Engine   |              |
|           | 37B2DQ-24110    | 1              | 杭发发动机搭铁线<br>Ground Cable Of Engine Made By Hangzhou<br>Engine Factory                    |                     | 杭发发动机<br>Engine Made By Hangzhou Engine Factory  |              |
|           | 37A33DQ1-24109  | 1              | 天然气发动机搭铁线<br>Natural Gas Engine Ground Cable   |                     | 天然气发动机<br>Natural Gas Engine   |              |
|           | 37AH50D-24109   | 1              | 发动机搭铁电缆<br>Engine Ground Cable   |                     | 卡特 C9 、卡特 C13<br>CATER C9,CATER C13  |              |
| 10        | 37EHD-24099     | 2              | 欧款灯具过渡线<br>Europe Lamp Transition Line   |                     | 欧款车型<br>Europe Model   |              |

高顶车示廓灯，气喇叭，室内照明  
HIGH ROOF VEHICLE CLEARANCE LAMP, AIR HORN, INTERIOR LIGHTING

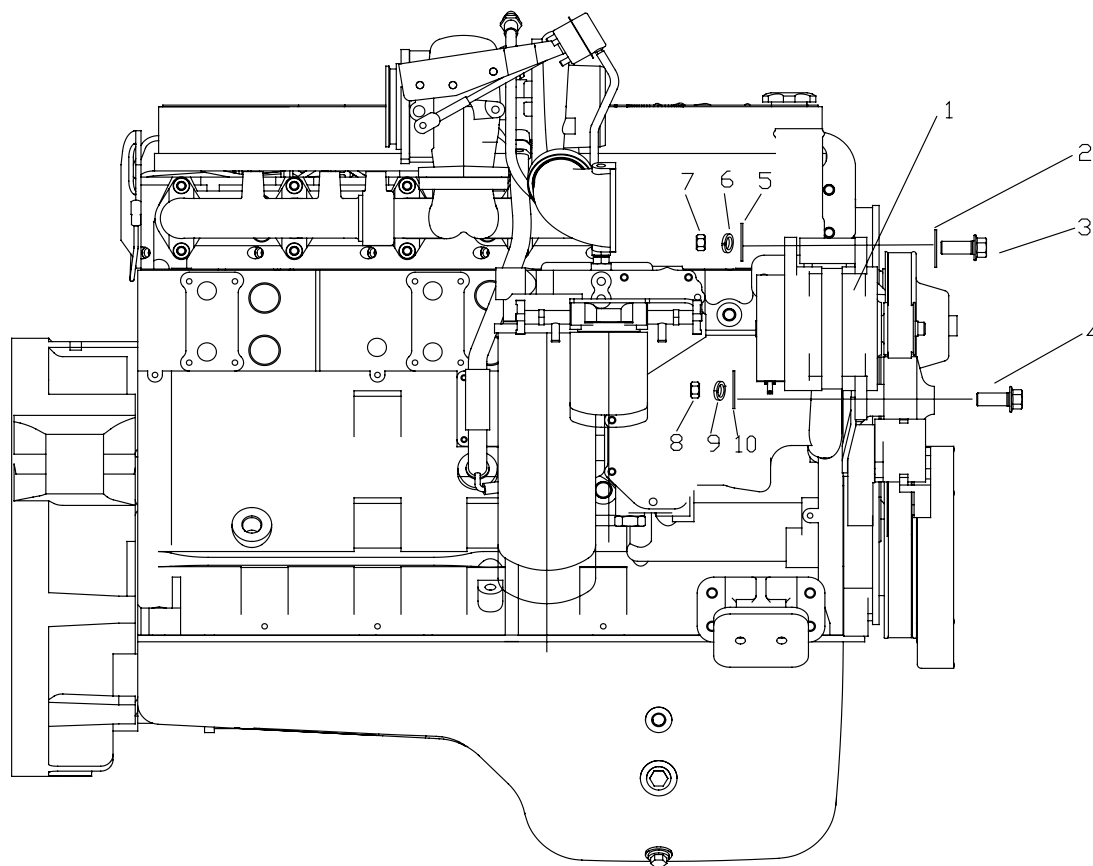
37-AE



| 序号<br>No. | 件号<br>Part No. | 数量<br>Quantity | 名称<br>Name  | 规格<br>Specification | 适用产品<br>Products Applied | 备注<br>Remark |
|-----------|----------------|----------------|---|---------------------|--------------------------|--------------|
| 1         | 37AD-21025     | 2              | 高顶气喇叭器<br>High Roof Air Horn  |                     | 高顶车<br>High Roof Vehicle |              |
| 2         | Q340B06        | 10             | I型六角螺母<br>Hexagon Full Nut  |                     |                          |              |
| 3         | 37AD-31016     | 2              | 高顶示廓灯支架<br>High Roof Clearance Lamp Bracket                                       |                     | 高顶车<br>High Roof Vehicle |              |
| 4         | 37AD-31015     | 2              | 高顶示廓灯<br>High Roof Clearance Lamp   |                     | 高顶车<br>High Roof Vehicle |              |
| 5         | Q2360625       | 4              | 十字槽盘头螺钉、弹簧垫圈和平垫圈组合件<br>Cross Recessed Combination Screw W/Spring And Plain Washer |                     |                          |              |
| 6         | Q2140620       | 6              | 十字槽盘头螺钉（不锈钢制）<br>Cross Recessed Pan Head Screw(Stainless Steel)                   |                     |                          |              |
| 7         | 37AD-15011     | 2              | 卧铺灯固定座<br>Sleeping Berth Lamp Holder  |                     | 高顶车<br>High Roof Vehicle |              |
| 8         | 37AD-15012     | 2              | 阅读灯开关安装板<br>Reading Light Switch Mounting Plate                                   |                     | 高顶车<br>High Roof Vehicle |              |
| 9         | 37AD-15051     | 2              | 卧铺灯<br>Sleeping Berth Lamp  |                     | 高顶车<br>High Roof Vehicle |              |
| 10        | Q2703513       | 12             | 十字槽盘头螺钉、弹簧垫圈和平垫圈组合件<br>Cross Recessed Combination Screw W/Spring And Plain Washer |                     |                          |              |
| 11        | 37AD-86014     | 2              | 卧铺灯开关<br>Sleeping Berth Lamp Switch   |                     | 高顶车<br>High Roof Vehicle |              |
| 12        | Q2725516       | 4              | 十字槽盘头自攻螺钉线<br>Cross Recessed Pan Head Self-Tapping Screw                          |                     |                          |              |
| 13        | 37AD-14020     | 2              | 顶灯总成（高顶车）<br>Dome Light Assembly (High Roof Vehicle)                              |                     | 高顶车<br>High Roof Vehicle |              |

## 发电机 / GENERATOR

37-AF



| 序号<br>No. | 件号<br>Part No. | 数量<br>Quantity | 名称<br>Name                               | 规格<br>Specification | 适用产品<br>Products Applied               | 备注<br>Remark |
|-----------|----------------|----------------|--|---------------------|--|--------------|
| 1         | 37B25D-42010   | 1              | 发电机总成<br>Generator Assembly              |                     | 玉柴 6J 发动机系列<br>YUCHAI 6J Engine Series |              |
|           | 37B25D-42020   | 1              | 发电机总成 (玉柴)<br>Generator Assembly(YUCHAI) |                     | 玉柴 6A 发动机系列<br>YUCHAI 6A Engine Series |              |
| 2         | Q40210         | 1              | 大平垫<br>Big Plate Washer                  |                     |  |              |
| 3         | Q150B10130     | 1              | 六角头螺栓<br>Hexagon Head Bolt               |                     |  |              |
| 4         | Q150B1045      | 1              | 六角头螺栓<br>Hexagon Head Bolt               |                     |  |              |
| 5         | Q40210         | 1              | 大平垫<br>Big Plate Washer                  |                     |  |              |
| 6         | Q40310         | 1              | 弹簧垫圈<br>Spring Washer                    |                     |  |              |
| 7         | Q340B10        | 1              | I 型六角螺母<br>Hexagon Full Nut              |                     |  |              |
| 8         | Q340B10        | 1              | I 型六角螺母<br>Hexagon Full Nut              |                     |  |              |
| 9         | Q40310         | 1              | 弹簧垫圈<br>Spring Washer                    |                     |  |              |
| 10        | Q40210         | 1              | 大平垫<br>Big Plate Washer                  |                     |  |              |



38

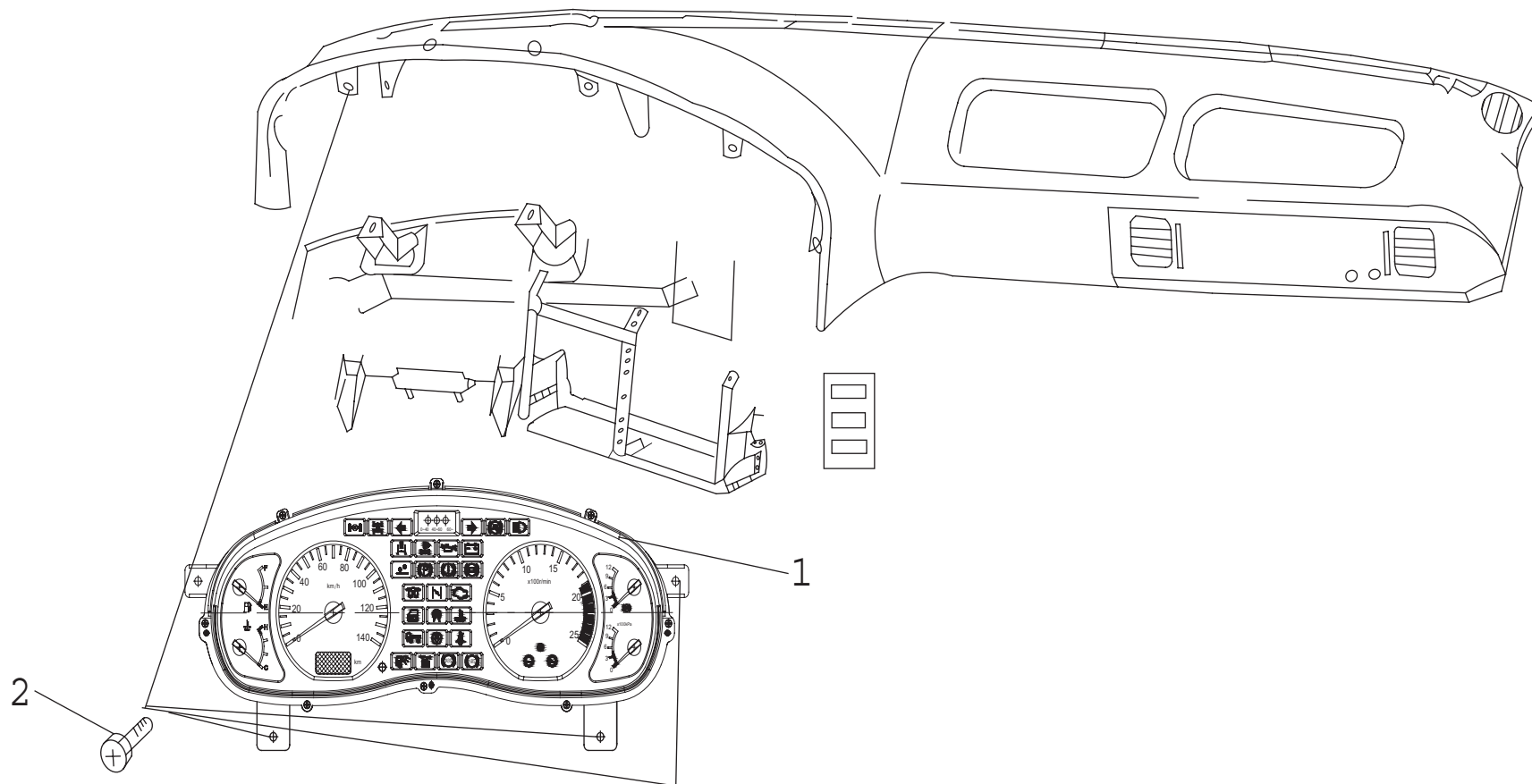
**仪器仪表系统**

***INSTRUMENT AND***

***METER SYSTEM***

## 组合仪表装置图 / COMBINATION METER

38-A

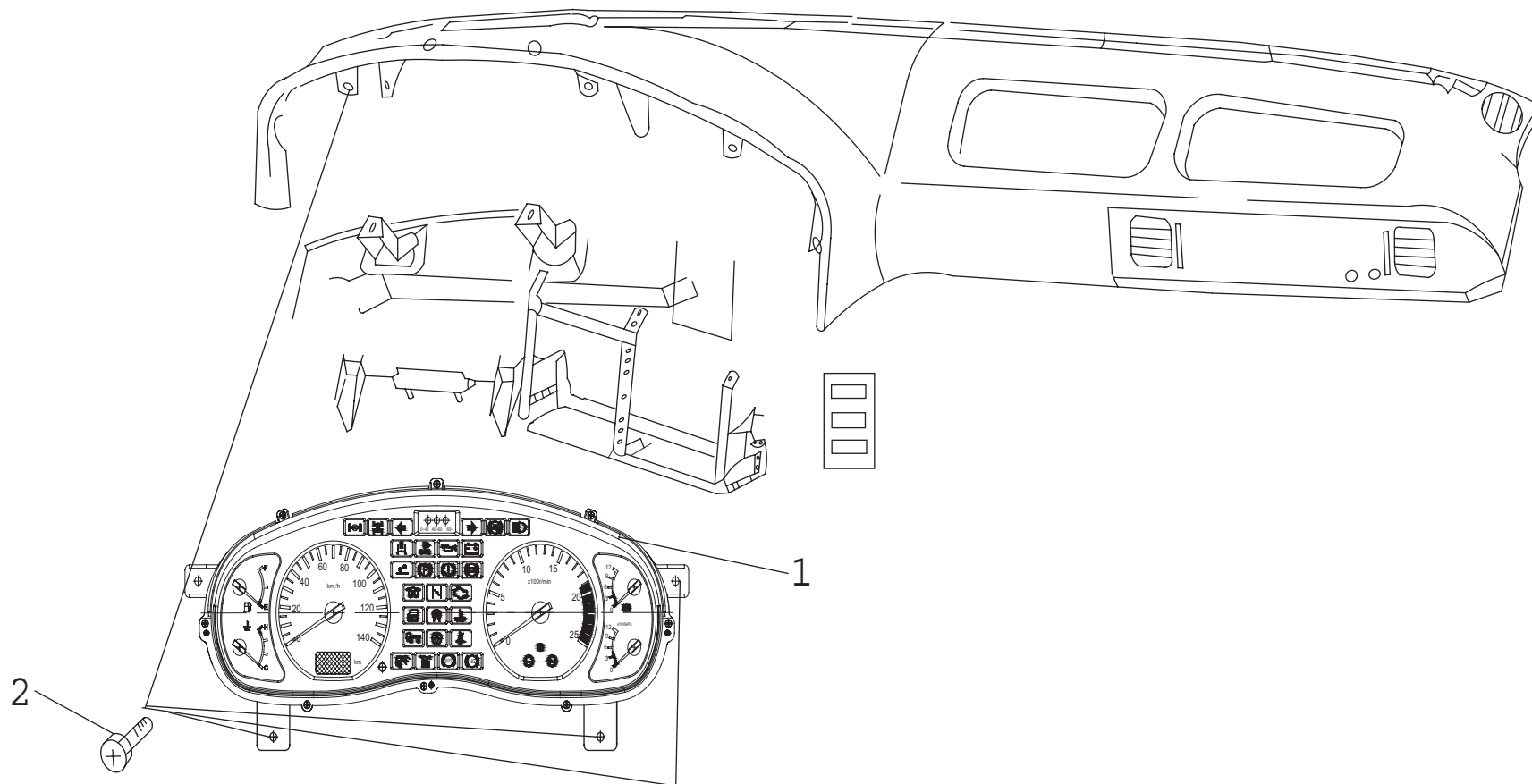




| 序号<br>No. | 件号<br>Part No. | 数量<br>Quantity | 名称<br>Name                                      | 规格<br>Specification | 适用产品<br>Products Applied  | 备注<br>Remark |
|-----------|----------------|----------------|---|---------------------|---|--------------|
| 1         | 38A2D—20530    | 1              | 组合仪表（步进电机）<br>Combination Meter(Stepping Motor) |                     | 斯太尔发动机，后桥主减速比 4.875、4.8 的桥通用 /STEYR Engine, Rear Axle With Main Reduction Ratio 4.875, 4.8          |              |
|           | 38A16D-20510   | 1              | 组合仪表（步进电机）<br>Combination Meter(Stepping Motor) |                     | 日野发动机，后桥主减速比 5.73、5.833 的桥通用 /HINO Engine, Rear Axle With Main Reduction Ratio 5.73, 5.833          |              |
|           | 38A4D—20510    | 1              | 组合仪表（步进电机）<br>Combination Meter(Stepping Motor) |                     | 康明斯发动机，后桥主减速比 5.833、5.73 的桥通用 /CUMMINS Engine, Rear Axle With Main Reduction Ratio 5.833, 5.73      |              |
|           | 38A4D—20020    | 1              | 组合仪表<br>Combination Meter                       |                     | 康明斯发动机，后桥主减速比 4.875、4.8 的桥通用 /CUMMINS Engine, Rear Axle With Main Reduction Ratio 5.833, 5.73       |              |
|           | 38A4D—20520    | 1              | 组合仪表（步进电机）<br>Combination Meter(Stepping Motor) |                     | 康明斯发动机，后桥主减速比 4.875、4.8 的桥通用 /CUMMINS Engine, Rear Axle With Main Reduction Ratio 4.875, 4.8        |              |
|           | 38A4D--20540   | 1              | 组合仪表（步进电机）<br>Combination Meter(Stepping Motor) |                     | 康明斯 M11 发动机，后桥主减速比 4.8、4.875 通用 /CUMMINS Engine M11, Rear Axle With Main Reduction Ratio 4.8, 4.875 |              |
|           | 38A4D--20550   | 1              | 组合仪表（步进电机）<br>Combination Meter(Stepping Motor) |                     | 康明斯发动机，后桥主减速比 5.571<br>CUMMINS Engine, Rear Axle With Main Reduction Ratio 5.571 For Rear Axle      |              |
|           | 38A52D-20510   | 1              | 组合仪表（步进电机）<br>Combination Meter(Stepping Motor) |                     | 卡特发动机系列<br>CATER Engine Series  |              |
|           | 38A4D--20530   | 1              | 组合仪表（步进电机）<br>Combination Meter(Stepping Motor) |                     | 康明斯发动机，4.8 速比，13R 轮胎<br>CUMMINS Engine, Speed Ratio 4.8, Tire 13R                                   |              |
|           | 38A2D—20030    | 1              | 组合仪表<br>Combination Meter                       |                     | 斯太尔发动机，后桥主减速比 4.875、4.8 的桥通用 /STEYR Engine, Rear Axle With Main Reduction Ratio 4.875, 4.8          |              |

## 组合仪表装置图 / COMBINATION METER

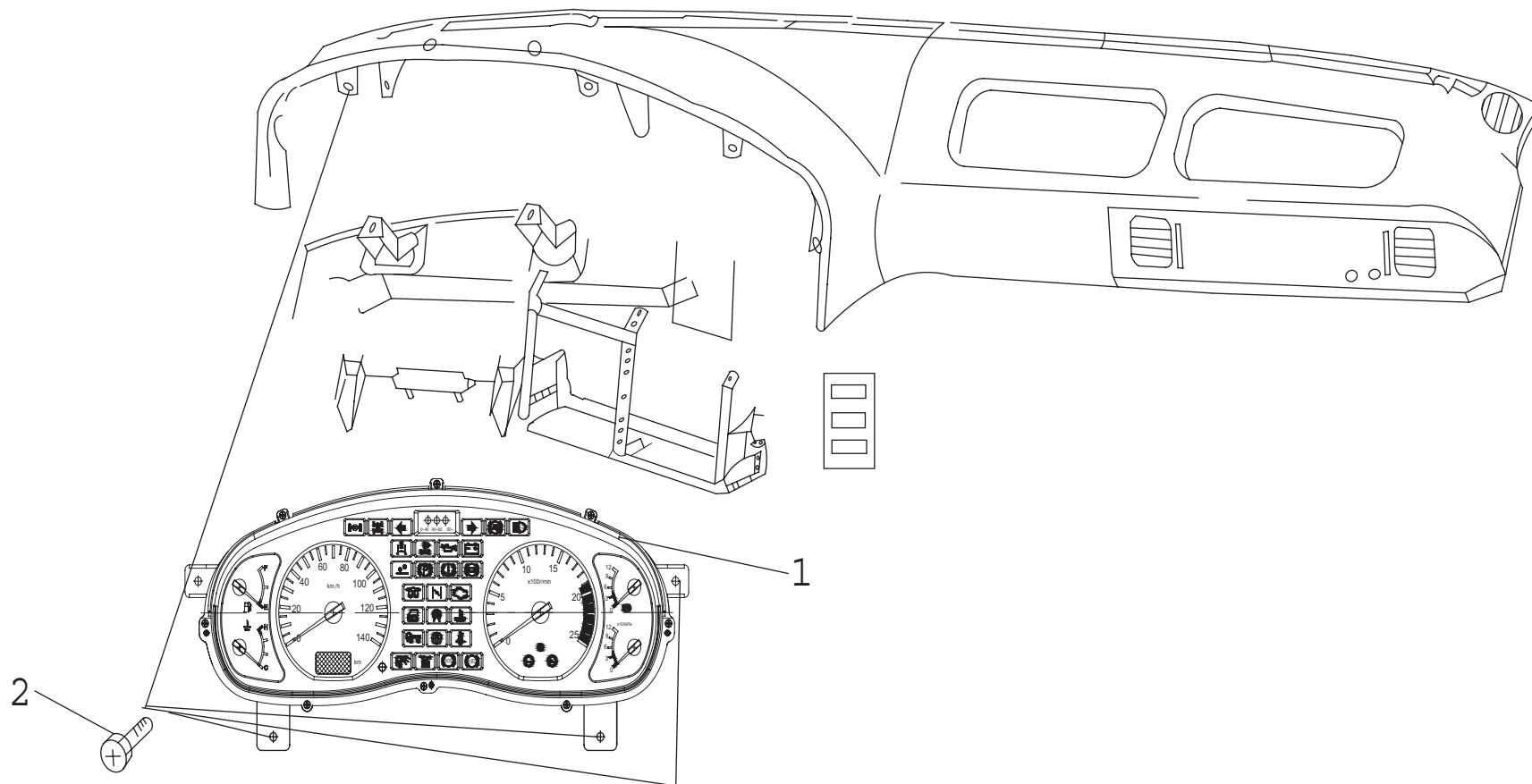
38-A



| 序号<br>No. | 件号<br>Part No. | 数量<br>Quantity | 名称<br>Name  | 规格<br>Specification | 适用产品<br>Products Applied  | 备注<br>Remark |
|-----------|----------------|----------------|---|---------------------|---|--------------|
| 1         | 38A23DZ-20515  | 1              | 组合仪表 (步进电机)<br>Combination Meter (Stepping Motor) |                     | 康明斯 M11 发动机, 后桥主减速比 6.666、6.72 的桥通用 /CUMMINS Engine M11, Rear Axle With Main Reduction Ratio 6.666,6.72 |              |
|           | 38A23DZ-20540  | 1              | 组合仪表 (步进电机)<br>Combination Meter (Stepping Motor) |                     | 康明斯 M11 发动机, 后桥主减速比 4.8、4.875 的桥通用 /CUMMINS Engine M11, Rear Axle With Main Reduction Ratio 4.8,4.875   |              |
|           | 38A23DZ-20510  | 1              | 组合仪表 (步进电机)<br>Combination Meter (Stepping Motor) |                     | 康明斯 M11 发动机, 后桥主减速比 5.73、5.833 的桥通用 /CUMMINS Engine M11, Rear Axle With Main Reduction Ratio 5.73,5.833 |              |
|           | 38B20DZ-20550  | 1              | 组合仪表 (步进电机)<br>Combination Meter (Stepping Motor) |                     | 杭发发动机, 后桥主减速比 5.571<br>Engine Made By HANGZHOU ENGINE FACTORY, Ratio Axle Main Reducation Ratio 5.571   |              |
|           | 38A4D-20560    | 1              | 组合仪表 (步进电机)<br>Combination Meter (Stepping Motor) |                     | 康明斯 EQB 发动机, 后桥主减速比 6.166<br>CUMMINS EQB-Engine, Ratio Axle Main Reducation Ratio 6.166                 |              |
|           | 38B25D-20510   | 1              | 组合仪表 (步进电机)<br>Combination Meter (Stepping Motor) |                     | 玉柴发动机, 后桥主减速比 6.166<br>YUCHAI Engine, Ratio Axle Main Reducation Ratio 6.166                            |              |
|           | 38B25D-20520   | 1              | 组合仪表 (步进电机)<br>Combination Meter (Stepping Motor) |                     | 玉柴发动机, 后桥主减速比 4.8、4.875 的桥通用 /YUCHAI Engine, Rear Axle With Main Reduction Ratio 4.8, 4.875             |              |
|           | 38A4D-20525    | 1              | 组合仪表 (步进电机)<br>Combination Meter (Stepping Motor) |                     | 康明斯发动机, 后桥主减速比 4.8、4.875 的桥通用 /CUMMINS Engine, Rear Axle With Main Reduction Ratio 4.8, 4.875           |              |
|           | 38A2D—20540    | 1              | 组合仪表 (步进电机)<br>Combination Meter (Stepping Motor) |                     | 斯太尔发动机, 后桥主减速比 5.73、5.833 的桥通用 /STEYR Engine, Rear Axle With Main Reduction Ratio 5.73,5.833            |              |
|           | 38A3D-20030    | 1              | 组合仪表<br>Combination Meter                         |                     | 五十铃发动机, 后桥主减速比 5.286<br>ISUZU Engine, Rear Axle Main Reducation Ratio 5.286                             |              |

## 组合仪表装置图 / COMBINATION METER

38-A



| 序号<br>No. | 件号<br>Part No. | 数量<br>Quantity | 名称<br>Name   | 规格<br>Specification | 适用产品<br>Products Applied   | 备注<br>Remark |
|-----------|----------------|----------------|--|---------------------|--|--------------|
| 1         | 38A3D-20515    | 1              | 组合仪表 (步进电机)<br>Combination Meter (Stepping Motor)  |                     | 五十铃发动机, 后桥主减速比 5.73、5.833 的桥通用 /ISUZU Engine, Rear Axle With Main Reduction Ratio 5.73, 5.833            |              |
|           | 38AD-20510     | 1              | 组合仪表 (步进电机)<br>Combination Meter (Stepping Motor)  |                     | 三菱发动机, 后桥主减速比 5.73、5.833 的桥通用 /MITSUBISHI Engine, Rear Axle With Main Reduction Ratio 5.73, 5.833        |              |
|           | 38AD-20015     | 1              | 组合仪表<br>Combination Meter  |                     | 三菱发动机, 后桥主减速比 6.666、6.72 的桥通用 /MITSUBISHI Engine, Rear Axle With Main Reduction Ratio 6.666, 6.72        |              |
|           | 38B25DZ-20530  | 1              | 组合仪表 (步进电机)<br>Combination Meter (Stepping Motor)  |                     | 玉柴发动机, 后桥主减速比 5.571<br>YUCHAI Engine, Rear Axle Main Reducation Ratio 5.571                              |              |
|           | 38A93D-20510   | 1              | 组合仪表 (步进电机)<br>Combination Meter (Stepping Motor)  |                     | 三菱欧三发动机, 后桥主减速比 5.73 (5.833)<br>MITSUBISHI Euro III Engine, Rear Axle Main Reduction Ratio 5.73, (5.833) |              |
| 2         | Q2360512       | 4              | 十字槽盘头螺钉、弹簧垫圈和平垫圈组合件<br>Cross Recessed Pan Head Combination Bolt With Spring And Plate Washer |                     |  |              |
|           |                |                |  |                     |  |              |
|           |                |                |  |                     |  |              |
|           |                |                |  |                     |  |              |
|           |                |                |  |                     |  |              |
|           |                |                |  |                     |  |              |



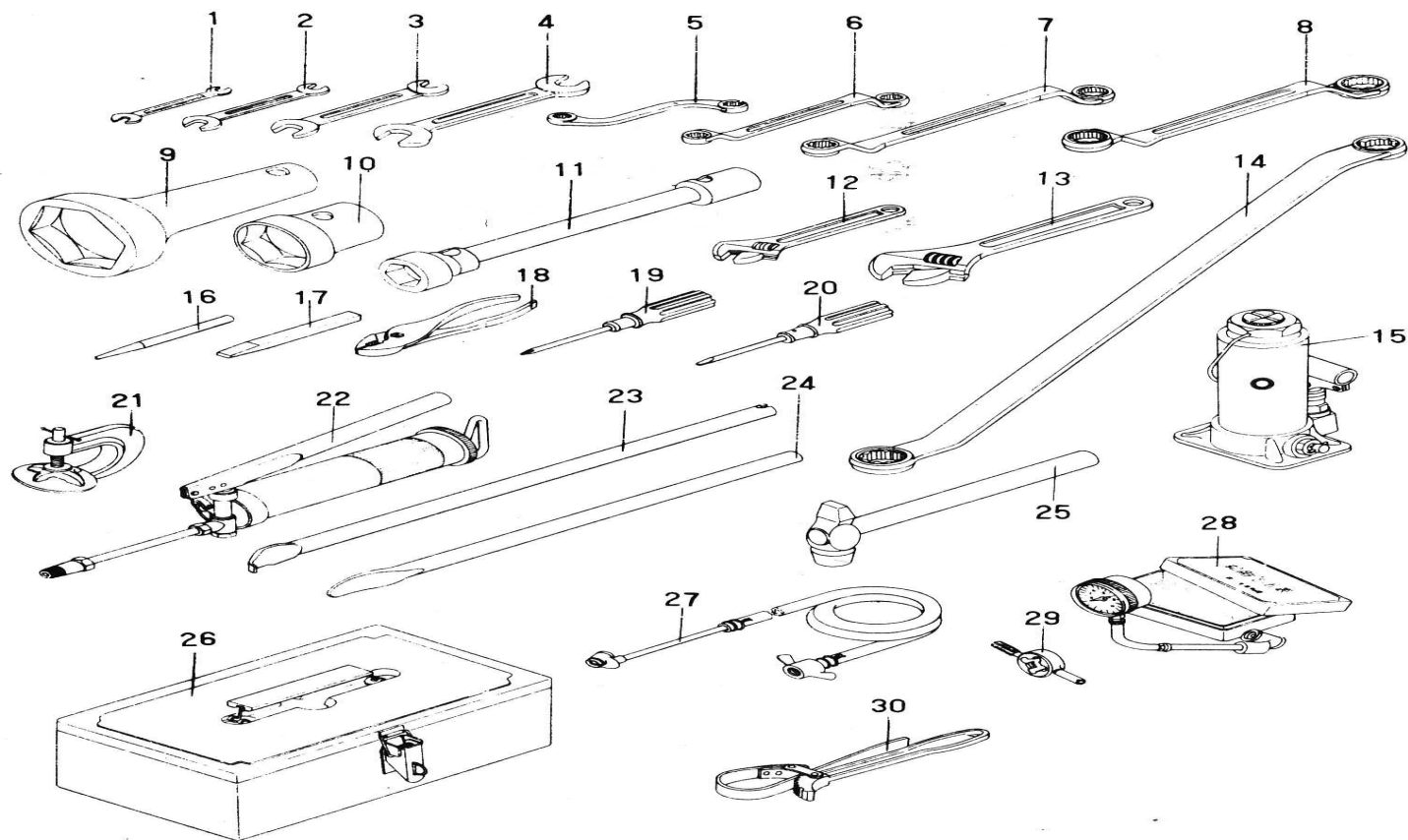
39

**随车工具**

**DRIVER'S TOOL**

随车工具 / DRIVER'S TOOL

39-A

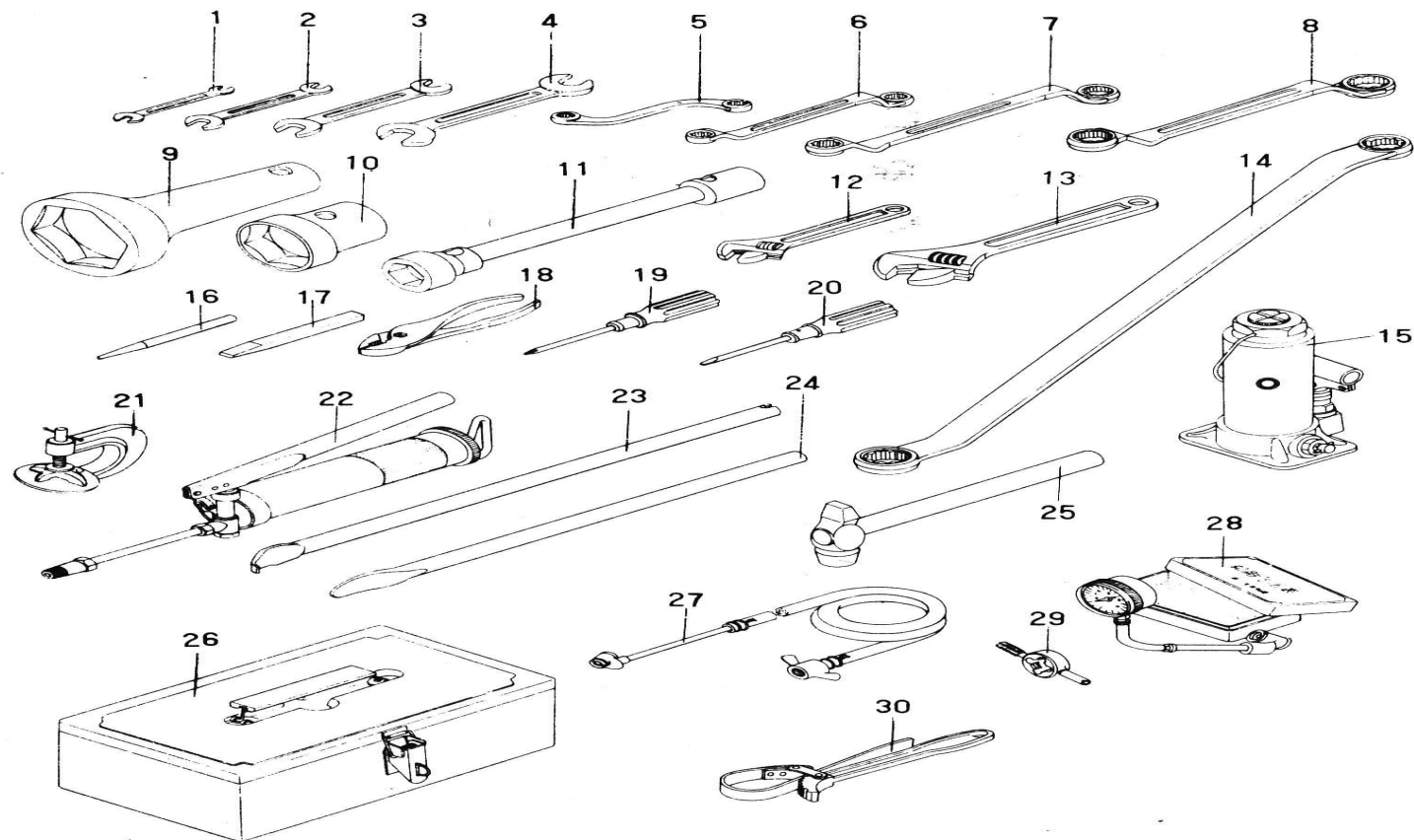




| 序号<br>No. | 件号<br>Part No. | 数量<br>Quantity | 名称<br>Name  | 规格<br>Specification | 适用产品<br>Products Applied               | 备注<br>Remark       |
|-----------|----------------|----------------|---|---------------------|--|--------------------|
| 1         |                | 1              | 双头开口扳手<br>Double Open End Wrench                  | 8×10                |  | 视需要选配<br>On-Demand |
| 2         |                | 1              | 双头开口扳手<br>Double Open End Wrench                  | 13×15               |  | 视需要选配<br>On-Demand |
| 3         |                | 1              | 双头开口扳手<br>Double Open End Wrench                  | 16×18               |  | 视需要选配<br>On-Demand |
| 4         |                | 1              | 双头开口扳手<br>Double Open End Wrench                  | 21×24               |  | 视需要选配<br>On-Demand |
|           |                | 1              | 双头开口扳手<br>Double Open End Wrench                  | 12×14               | 三菱、五十铃发动机<br>MITSUBISHI、ISUZU Engine   | 视需要选配<br>On-Demand |
|           |                | 1              | 双头开口扳手<br>Double Open End Wrench                  | 17×19               | 三菱、五十铃发动机<br>MITSUBISHI、ISUZU Engine   | 视需要选配<br>On-Demand |
|           |                | 1              | 双头开口扳手<br>Double Open End Wrench                  | 22×24               | 三菱、五十铃发动机<br>MITSUBISHI、ISUZU Engine   | 视需要选配<br>On-Demand |
| 5         |                | 1              | 梅花扳手<br>Double Offset Ring Spanner                | 13×15               |  | 视需要选配<br>On-Demand |
| 6         |                | 1              | 梅花扳手<br>Double Offset Ring Spanner                | 16×18               |  | 视需要选配<br>On-Demand |
| 7         |                | 1              | 梅花扳手<br>Double Offset Ring Spanner                | 21×24               |  | 视需要选配<br>On-Demand |
| 8         |                | 1              | 梅花扳手<br>Double Offset Ring Spanner                | 27×30               |  | 视需要选配<br>On-Demand |
| 9         |                | 1              | 后轮毂轴承螺母套筒扳手<br>Rear Hub Bearing Nut Socket Wrench | S120                | 457 桥、三菱桥<br>457 Axle, MITSUBISHI Axle | 视需要选配<br>On-Demand |
|           |                | 1              | 后轮毂轴承螺母套筒扳手<br>Rear Hub Bearing Nut Socket Wrench | S112                | 435 桥<br>435 Axle                      | 视需要选配<br>On-Demand |
| 10        |                | 1              | 转向锁紧螺母扳手<br>Steering Lock Nut Wrench              | S75                 |  | 视需要选配<br>On-Demand |

## 随车工具 / DRIVER'S TOOL

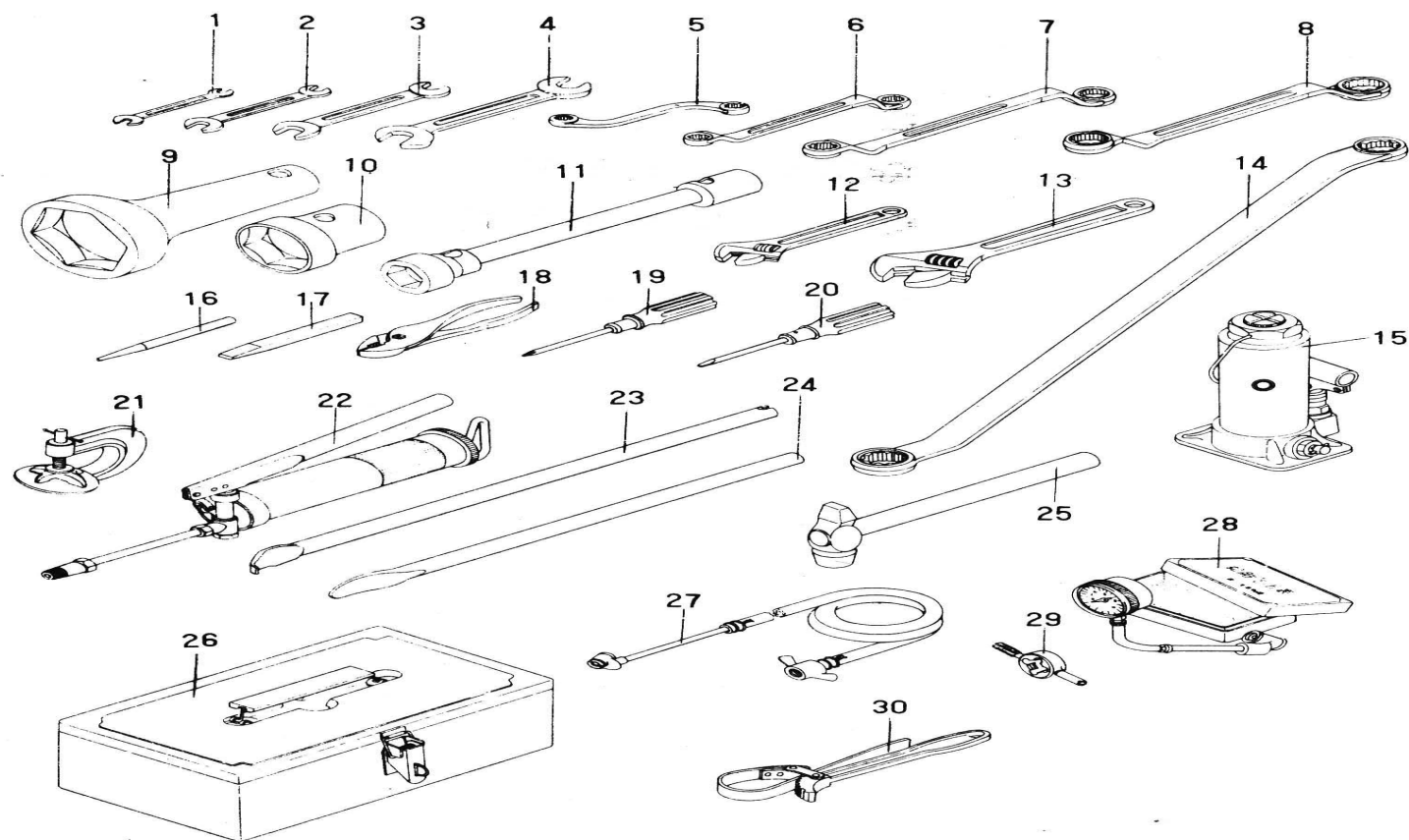
## 39-A



| 序号<br>No. | 件号<br>Part No. | 数量<br>Quantity | 名称<br>Name  | 规格<br>Specification       | 适用产品<br>Products Applied | 备注<br>Remark       |
|-----------|----------------|----------------|---|---------------------------|--------------------------|--------------------|
| 11        |                | 1              | 车轮螺栓螺母套筒扳手<br>Wheel Bolt Nut Socket Wrench          | S33                       | 10孔轮毂用<br>10-Hole Hub    | 视需要选配<br>On-Demand |
|           |                | 1              | 车轮螺栓螺母套筒扳手<br>Wheel Bolt Nut Socket Wrench          | 21(方)×41<br>21(Square)×41 | 8孔轮毂用<br>8-Hole Hub      | 视需要选配<br>On-Demand |
| 12        |                | 1              | 小活动扳手总成<br>Small Monkey Wrench Assembly             |                           |                          | 视需要选配<br>On-Demand |
| 13        |                | 1              | 大活动扳手总成<br>Big Monkey Wrench Assembly               |                           |                          | 视需要选配<br>On-Demand |
| 14        |                | 1              | 梅花扳手<br>Double Offset Ring Spanner                  | 30×36                     |                          | 视需要选配<br>On-Demand |
| 15        |                | 1              | 20吨手动立式液压千斤顶<br>20-Ton Vertical Hand Hydraulic Jack |                           |                          | 视需要选配<br>On-Demand |
| 16        |                | 1              | 冲子<br>Punching Pin                                  |                           |                          | 视需要选配<br>On-Demand |
| 17        |                | 1              | 凿子<br>Chisel  |                           |                          | 视需要选配<br>On-Demand |
| 18        |                | 1              | 鲤鱼钳总成<br>Slip Joint Pliers Assembly                 |                           |                          | 视需要选配<br>On-Demand |
| 19        |                | 1              | 十字形起子总成<br>Cross Head Screwdriver                   |                           |                          | 视需要选配<br>On-Demand |
| 20        |                | 1              | 一字形起子总成<br>Minus Screwdriver Assembly               |                           |                          | 视需要选配<br>On-Demand |
|           |                | 1              | 两用起子总成<br>Dual-Purpose Screwdriver Assembly         |                           |                          | 视需要选配<br>On-Demand |
| 21        |                | 1              | 补胎卡子总成<br>Tire Repair Clip Assembly                 |                           |                          | 视需要选配<br>On-Demand |
| 22        |                | 1              | 滑脂枪总成<br>Grease Squirt Assembly                     |                           |                          | 视需要选配<br>On-Demand |

## 随车工具 / DRIVER'S TOOL

39-A



| 序号<br>No. | 件号<br>Part No. | 数量<br>Quantity | 名称<br>Name   | 规格<br>Specification | 适用产品<br>Products Applied | 备注<br>Remark       |
|-----------|----------------|----------------|--|---------------------|--------------------------|--------------------|
| 23        |                | 1              | 轮胎撬棒兼千斤顶摇臂<br>Tire Lever,Also Jack Rocker Arm      |                     |                          | 视需要选配<br>On-Demand |
| 24        |                | 1              | 轮胎撬棒兼套筒扳手柄<br>Tire Lever,Also Socket Wrench Handle |                     |                          | 视需要选配<br>On-Demand |
| 25        |                | 1              | 手锤总成<br>Hand Hammer Assembly                       |                     |                          | 视需要选配<br>On-Demand |
| 26        |                | 1              | 随车工具箱总成<br>Tool Equipment Box Assembly             |                     |                          | 视需要选配<br>On-Demand |
| 27        |                | 1              | 轮胎打气软管总成<br>Tire Inflating Hose Assembly           |                     |                          | 视需要选配<br>On-Demand |
| 28        |                | 1              | 轮胎气压表及表盒总成<br>Tire Pressure Gauge and Box Assembly |                     |                          | 视需要选配<br>On-Demand |
| 29        |                | 1              | 气门芯多用扳手<br>Valve Core Multi-Purpose Wrench         |                     |                          | 视需要选配<br>On-Demand |
| 30        |                | 1              | 滤清器扳手总成<br>Filter Wrench Assembly                  |                     |                          | 视需要选配<br>On-Demand |
| 31        |                | 1              | 内六角扳手<br>Allen Wrench                              | 6mm                 |                          | 视需要选配<br>On-Demand |
|           |                | 1              | 备胎架摇臂<br>Spare Tire Carrier Rocker Arm             |                     |                          | 视需要选配<br>On-Demand |
|           |                | 1              | 备胎架摇把<br>Spare Tire Carrier Cranking Bar           |                     |                          | 视需要选配<br>On-Demand |
|           |                | 1              | 电动翻转手柄<br>Electrical Overturn Handle               |                     |                          | 视需要选配<br>On-Demand |
|           |                | 1              | 工作灯总成<br>Working Light Assembly                    |                     |                          | 视需要选配<br>On-Demand |
|           |                | 1              | 故障警示牌<br>Malfuntion Warning Plate                  |                     |                          | 视需要选配<br>On-Demand |



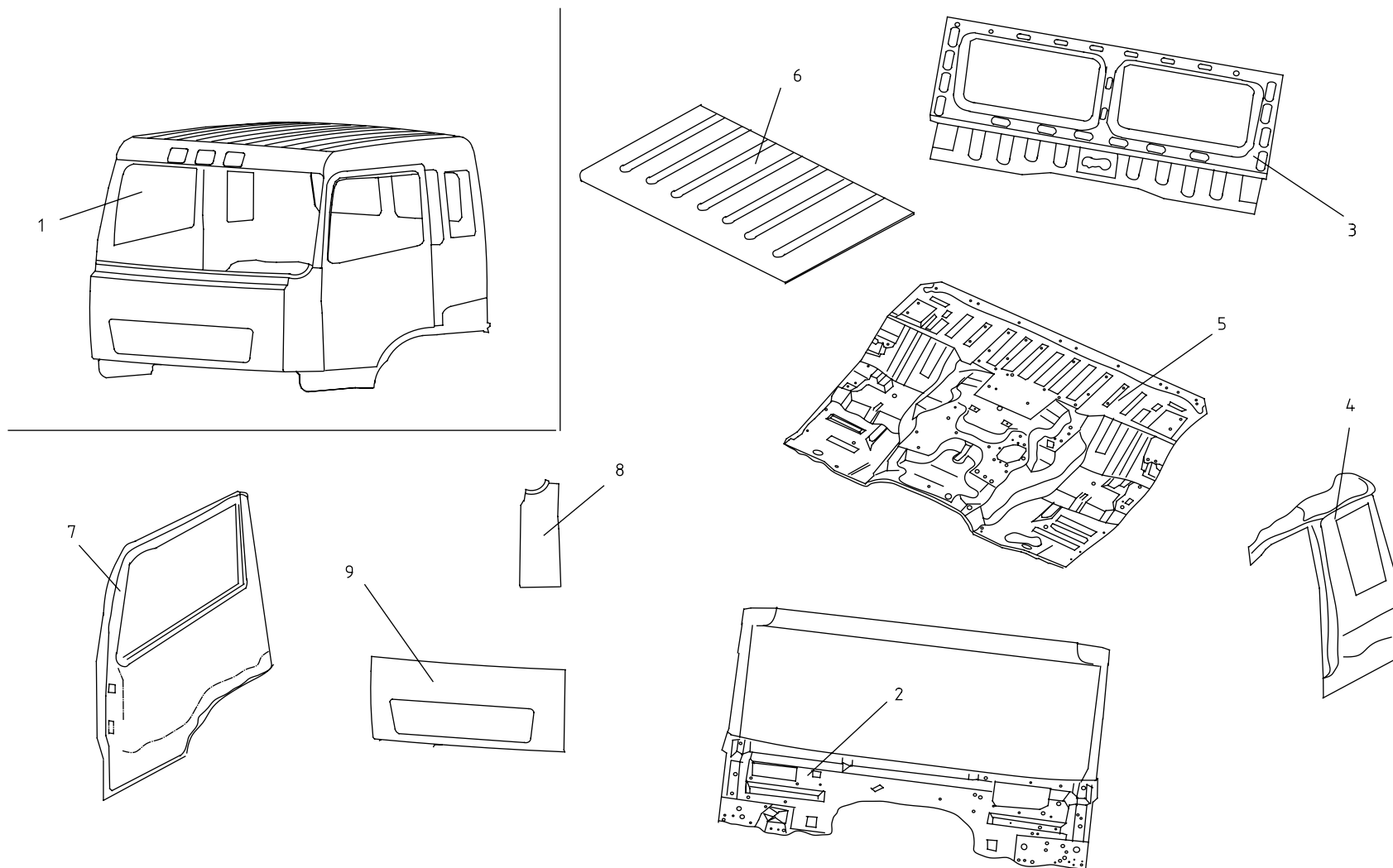
50

**车身系统**

***BODY SYSTEM***

## 驾驶室总成 / CAB ASSEMBLY

50-A





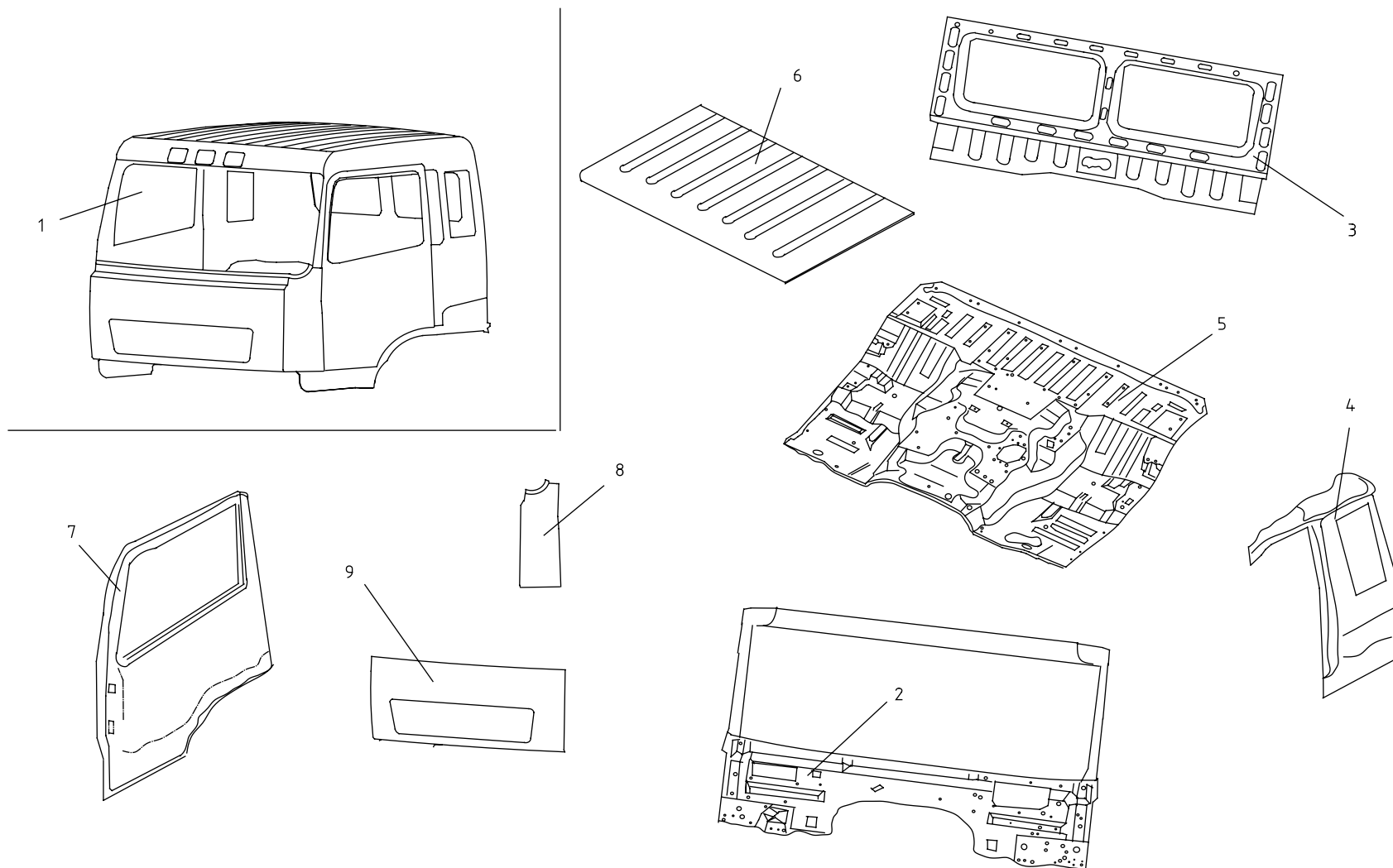
车身系统 / BODY SYSTEM

50-2

| 序号<br>No. | 件号<br>Part No. | 数量<br>Quantity | 名称<br>Name                                    | 规格<br>Specification | 适用产品<br>Products Applied                            | 备注<br>Remark                            |
|-----------|----------------|----------------|---|---------------------|---|---|
| 1         | 50C-00014      | 1              | 驾驶室总成 - 已喷漆<br>Cab Assembly-Painted           |                     | 非牵引车<br>Non-Tractor                                 | 顶部有导流罩孔<br>W/Dome Hole On<br>The Roof   |
|           | 50ADP-00014    | 1              | 驾驶室总成 - 已喷漆<br>Cab Assembly-Painted           |                     | 非牵引车<br>Non-Tractor                                 | 顶部无导流罩孔<br>W/o Dome Hole On<br>The Roof |
|           | 50A4DQ-00014   | 1              | 驾驶室总成 - 已喷漆<br>Cab Assembly-Painted           |                     | 康明斯系列发动机牵引车<br>CUMMINS Series Engine Tractor        |   |
|           | 50ADQ-00014    | 1              | 驾驶室总成 - 已喷漆<br>Cab Assembly-Painted           |                     | 加装 ABS 斯太尔系列发动机牵引车<br>SYEYR Engine Tractor With ABS |   |
|           | 50E-00014      | 1              | 驾驶室总成 - 已喷漆<br>Cab Assembly-Painted           |                     | 欧款非牵引车系列<br>Europe Non-Tractor Series               |   |
|           | 50EQ-00014     | 1              | 驾驶室总成 - 已喷漆<br>Cab Assembly-Painted           |                     | 欧款牵引车系列<br>Europe Tractor Series                    |   |
| 2         | 53A1-01010     | 1              | 前围焊接总成<br>Cowl Welding Assembly               |                     |   |   |
| 3         | 56A1-01010     | 1              | 后围焊接总成<br>Back Wall Welding Assembly          |                     |   |   |
| 4         | 54B1-00009     | 1              | 左侧围焊接总成<br>Quarter Welding Assembly LH        |                     | 非牵引车<br>Non-Tractor                                 |   |
|           | 54ADQ-00009    | 1              | 左侧围焊接总成<br>Quarter Welding Assembly LH        |                     | 牵引车<br>Tractor                                      |   |
|           | 54B1-00010     | 1              | 右侧围焊接总成<br>Quarter Welding Assembly RH        |                     | 非牵引车<br>Non-Tractor                                 |   |
|           | 54ADQ-00010    | 1              | 右侧围焊接总成<br>Quarter Welding Assembly RH        |                     | 牵引车<br>Tractor                                      |   |
|           | 54E-00009/10   | 1              | 左 / 右侧围焊接总成<br>Quarter Welding Assembly LH/RH |                     | 欧款系列<br>Europe Series                               |   |
| 5         | 51A-00001      | 1              | 地板焊接总成<br>Floor Welding Assembly              |                     |   |   |

## 驾驶室总成 / CAB ASSEMBLY

50-A



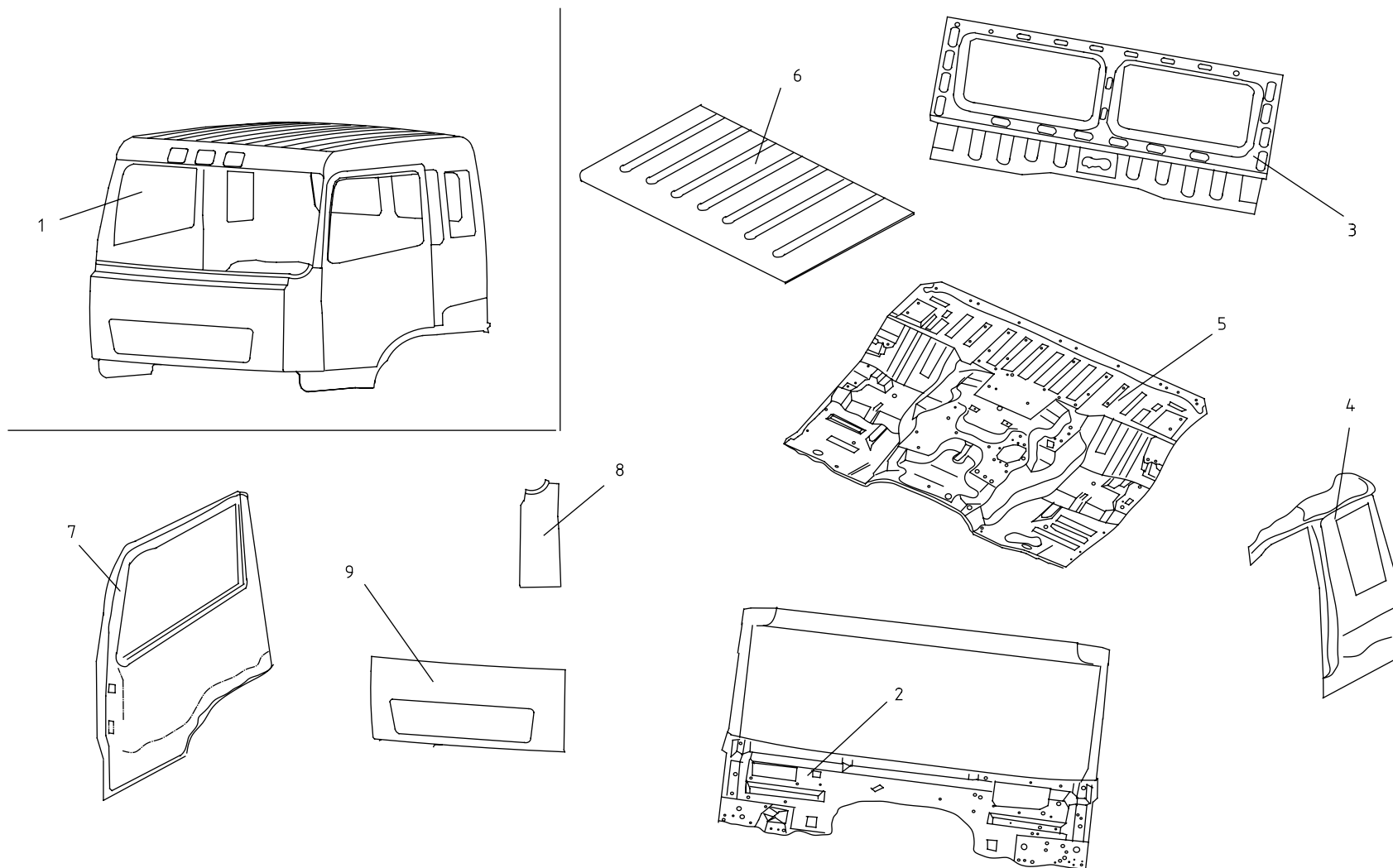
车身系统 / BODY SYSTEM

50-4

| 序号<br>No. | 件号<br>Part No. | 数量<br>Quantity | 名称<br>Name                              | 规格<br>Specification | 适用产品<br>Products Applied | 备注<br>Remark |
|-----------|----------------|----------------|---|---------------------|--------------------------|--------------|
| 6         | 57B1-01010     | 1              | 顶盖总成<br>Roof Assembly                   |                     |                          |              |
| 7         | 61B1-01009     | 1              | 左车门焊接总成<br>Door Welding Assembly LH     |                     |                          |              |
|           | 61B1-01010     | 1              | 右车门焊接总成<br>Door Welding Assembly RH     |                     |                          |              |
| 8         | 53B1-01369     | 1              | 左外侧板总成<br>Outer Side Panel Assembly LH  |                     |                          |              |
|           | 53B1-01370     | 1              | 右外侧板总成<br>Outer Side Panel Assembly RH  |                     |                          |              |
| 9         | 84A1-01010     | 1              | 前盖板焊接总成<br>Front Panel Welding Assembly |                     |                          |              |

## 窄体驾驶室总成 / NARROW CAB ASSEMBLY

50-B



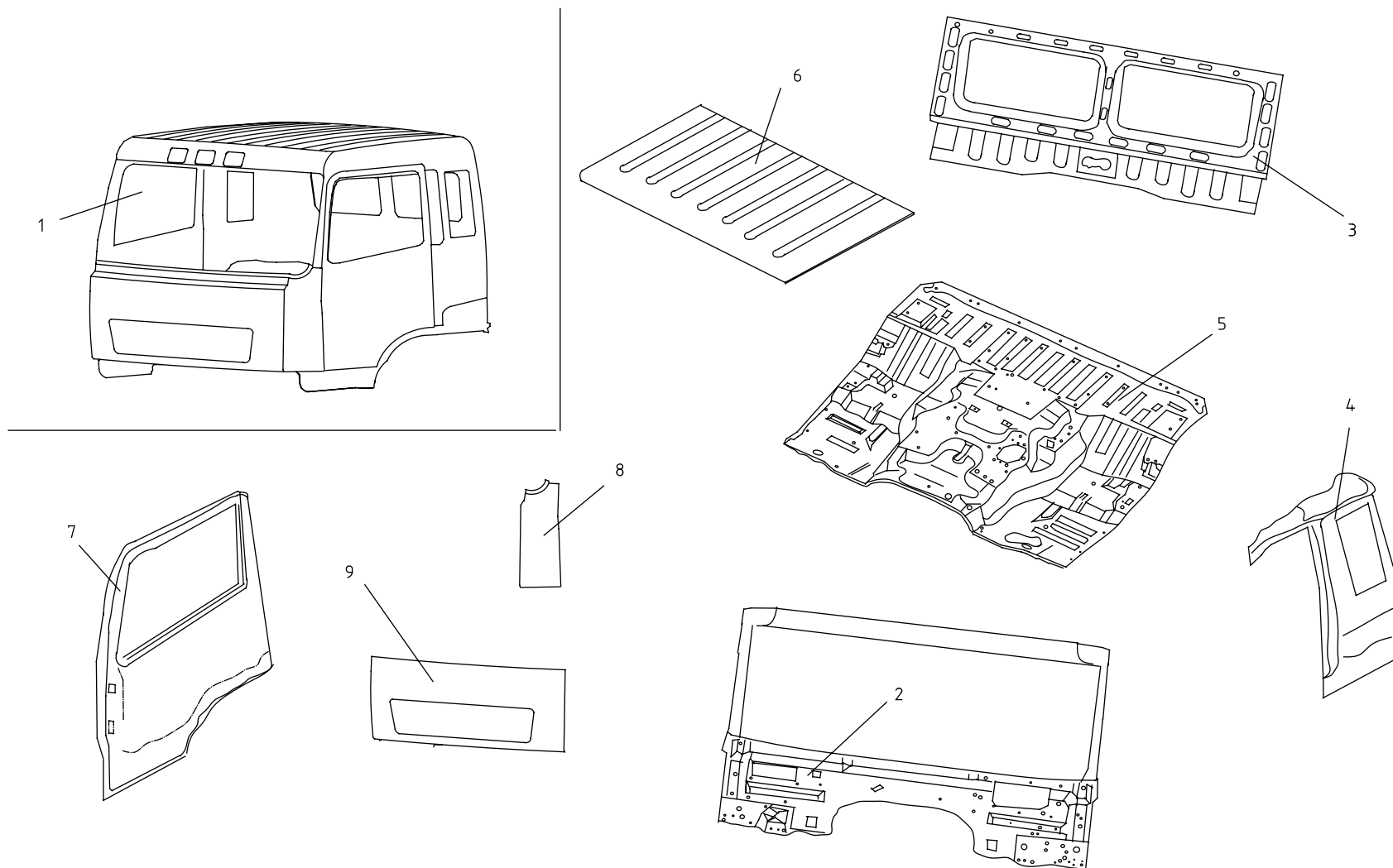
车身系统 / BODY SYSTEM

50-6

| 序号<br>No. | 件号<br>Part No. | 数量<br>Quantity | 名称<br>Name                             | 规格<br>Specification | 适用产品<br>Products Applied                  | 备注<br>Remark |
|-----------|----------------|----------------|--|---------------------|---|--------------|
| 1         | 50A5-00014     | 1              | 驾驶室总成 - 已喷漆<br>Cab Assembly-Painted    |                     | 窄体非牵引车系列<br>Narrow Cab Non-Tractor Series |              |
|           | 50A5DQ-00014   | 1              | 驾驶室总成 - 已喷漆<br>Cab Assembly-Painted    |                     | 窄体牵引车系列<br>Narrow Cab Tractor Series      |              |
| 2         | 53A5-01010     | 1              | 前围焊接总成<br>Cowl Welding Assembly        |                     | 窄体系列<br>Narrow Cab Series                 |              |
| 3         | 56A5-01010     | 1              | 后围焊接总成<br>Back Wall Welding Assembly   |                     | 窄体系列<br>Narrow Cab Series                 |              |
| 4         | 54B1-00009     | 1              | 左侧围焊接总成<br>Quarter Welding Assembly LH |                     | 非牵引车<br>Non-Tractor                       |              |
|           | 54ADQ-00009    | 1              | 左侧围焊接总成<br>Quarter Welding Assembly LH |                     | 牵引车<br>Tractor                            |              |
|           | 54B1-00010     | 1              | 右侧围焊接总成<br>Quarter Welding Assembly RH |                     | 非牵引车<br>Non-Tractor                       |              |
|           | 54ADQ-00010    | 1              | 右侧围焊接总成<br>Quarter Welding Assembly RH |                     | 牵引车<br>Tractor                            |              |
| 5         | 51A5-00001     | 1              | 地板焊接总成<br>Floor Welding Assembly       |                     | 窄体系列<br>Narrow Cab Series                 |              |
| 6         | 57B15-01010    | 1              | 顶盖总成<br>Roof Assembly                  |                     | 窄体系列<br>Narrow Cab Series                 |              |
| 7         | 61B1-01009     | 1              | 左车门焊接总成<br>Door Welding Assembly LH    |                     |   |              |
|           | 61B1-01010     | 1              | 右车门焊接总成<br>Door Welding Assembly RH    |                     |   |              |
| 8         | 53B15-01369    | 1              | 左外侧板总成<br>Outer Side Panel LH          |                     | 窄体系列<br>Narrow Cab Series                 |              |
|           | 53B15-01370    | 1              | 右外侧板总成<br>Outer Side Panel RH          |                     | 窄体系列<br>Narrow Cab Series                 |              |

## 窄体驾驶室总成 / NARROW CAB ASSEMBLY

50-B



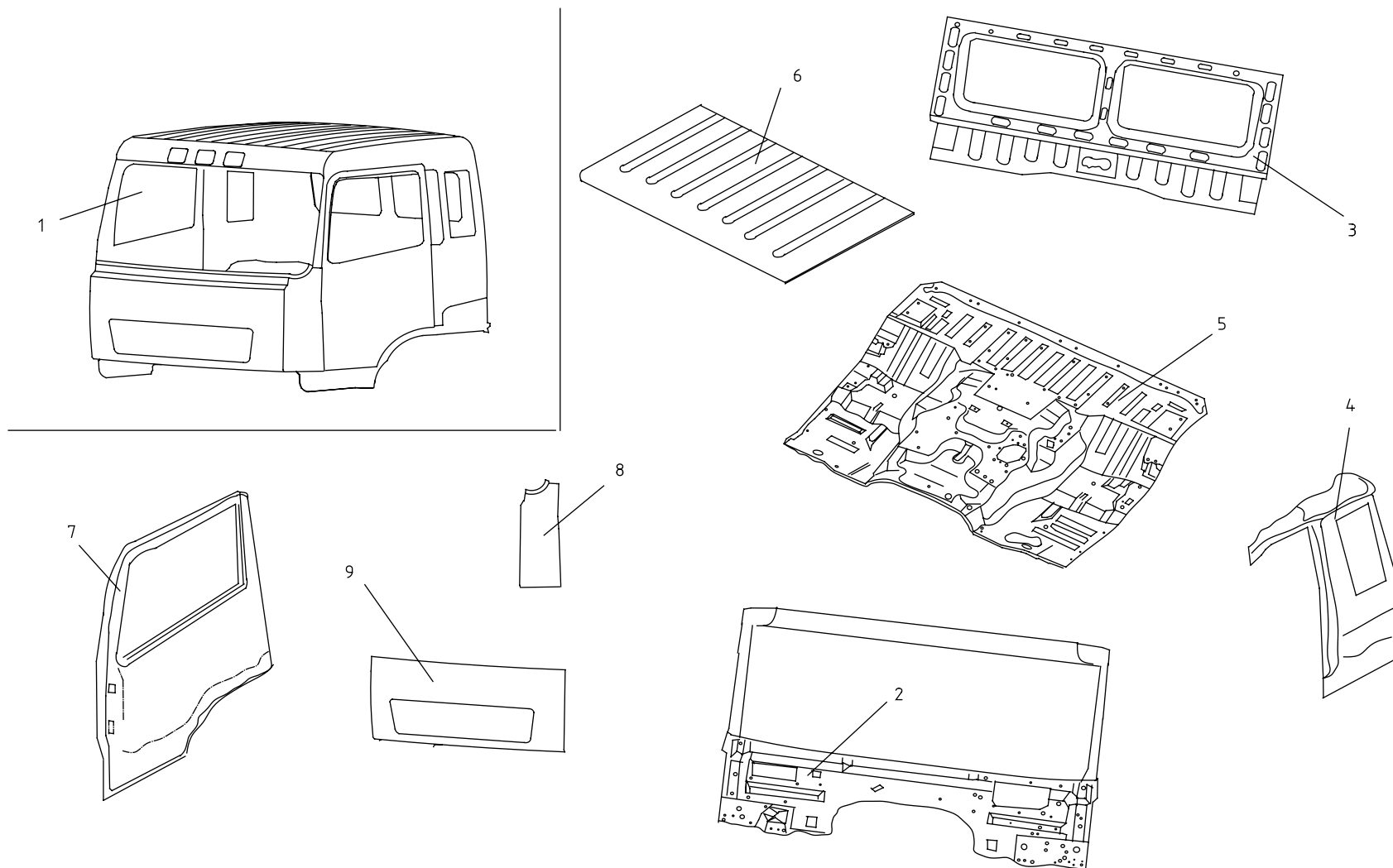
车身系统 / BODY SYSTEM

50-8

| 序号<br>No. | 件号<br>Part No. | 数量<br>Quantity | 名称<br>Name                              | 规格<br>Specification | 适用产品<br>Products Applied  | 备注<br>Remark |
|-----------|----------------|----------------|---|---------------------|---------------------------|--------------|
| 9         | 84A15-01010    | 1              | 前盖板焊接总成<br>Front Panel Welding Assembly |                     | 窄体系列<br>Narrow Cab Series |              |

## 右驾驾驶室总成 / CAB ASSEMBLY FOR RHD

50-C





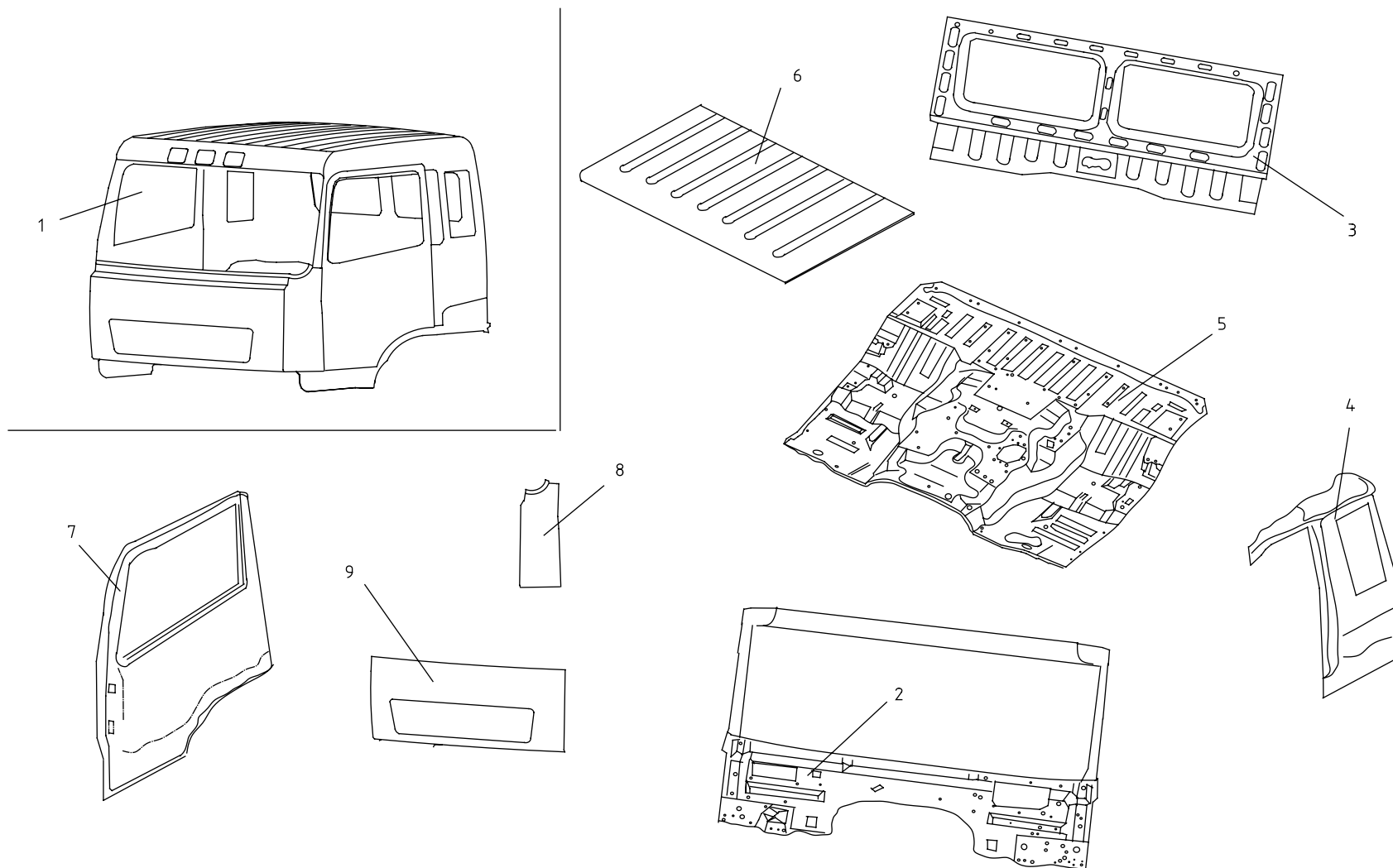
车身系统 / BODY SYSTEM

50-10

| 序号<br>No. | 件号<br>Part No. | 数量<br>Quantity | 名称<br>Name                             | 规格<br>Specification | 适用产品<br>Products Applied                    | 备注<br>Remark |
|-----------|----------------|----------------|--|---------------------|---|--------------|
| 1         | 50EY-00014     | 1              | 驾驶室总成 - 已喷漆<br>Cab Assembly-Painted    |                     | 欧款右驾非牵引车系列<br>Europe RHD Non-Tractor Series |              |
|           | 50EYQ-00014    | 1              | 驾驶室总成 - 已喷漆<br>Cab Assembly-Painted    |                     | 欧款右驾牵引车系列<br>Europe RHD Tractor Series      |              |
| 2         | 53AY-01010     | 1              | 前围焊接总成<br>Cowl Welding Assembly        |                     | 右驾系列<br>RHD Series                          |              |
| 3         | 56A1-01010     | 1              | 后围焊接总成<br>Back Wall Welding Assembly   |                     |   |              |
| 4         | 54B1-00009     | 1              | 左侧围焊接总成<br>Quarter Welding Assembly LH |                     | 非牵引车<br>Non-Tractor                         |              |
|           | 54ADQ-00009    | 1              | 左侧围焊接总成<br>Quarter Welding Assembly LH |                     | 牵引车<br>Tractor                              |              |
|           | 54E-00009      | 1              | 左侧围焊接总成<br>Quarter Welding Assembly LH |                     | 欧款系列<br>Europe Series                       |              |
|           | 54B1-00010     | 1              | 右侧围焊接总成<br>Quarter Welding Assembly RH |                     | 非牵引车<br>Non-Tractor                         |              |
|           | 54ADQ-00010    | 1              | 右侧围焊接总成<br>Quarter Welding Assembly RH |                     | 牵引车<br>Tractor                              |              |
|           | 54E-00010      | 1              | 右侧围焊接总成<br>Quarter Welding Assembly RH |                     | 欧款系列<br>Europe Series                       |              |
| 5         | 51AY-00001     | 1              | 地板焊接总成<br>Floor Welding Assembly       |                     | 右驾系列<br>RHD Series                          |              |
| 6         | 57B1-01010     | 1              | 顶盖总成<br>Roof Assembly                  |                     |   |              |
| 7         | 61AY-01009     | 1              | 左车门焊接总成<br>Door Welding Assembly LH    |                     | 右驾系列<br>RHD Series                          |              |
|           | 61AY-01010     | 1              | 右车门焊接总成<br>Door Welding Assembly RH    |                     | 右驾系列<br>RHD Series                          |              |

## 右驾驾驶室总成 / CAB ASSEMBLY FOR RHD

50-C



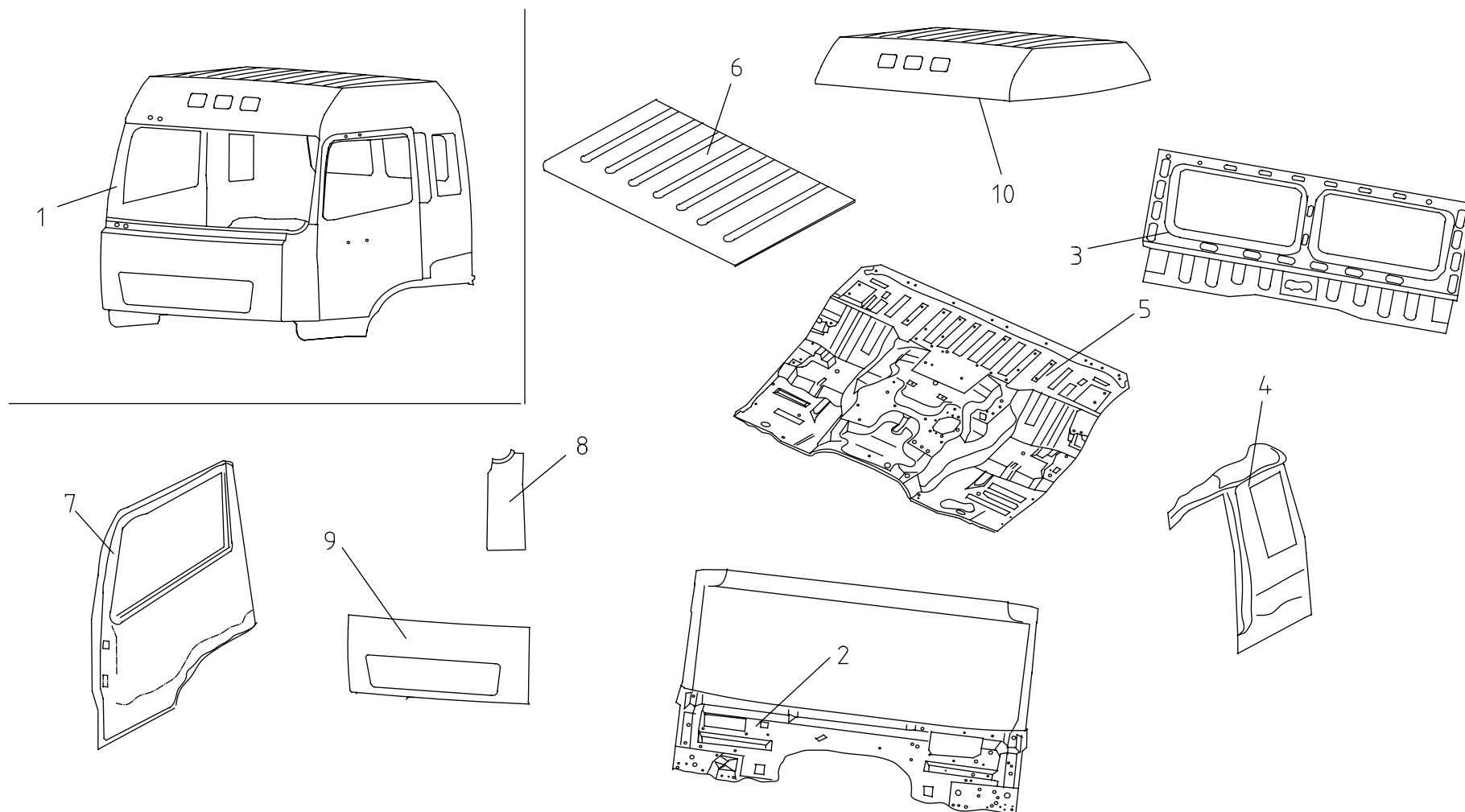
车身系统 / BODY SYSTEM

50-12

| 序号<br>No. | 件号<br>Part No. | 数量<br>Quantity | 名称<br>Name                              | 规格<br>Specification | 适用产品<br>Products Applied | 备注<br>Remark |
|-----------|----------------|----------------|---|---------------------|--------------------------|--------------|
| 8         | 53B1-01369     | 1              | 左外侧板总成<br>Outer Side Panel LH           |                     |                          |              |
|           | 53B1-01370     | 1              | 右外侧板总成<br>Outer Side Panel RH           |                     |                          |              |
| 9         | 84A1-01010     | 1              | 前盖板焊接总成<br>Front Panel Welding Assembly |                     |                          |              |

## 驾驶室总成 / CAB ASSEMBLY

50-D



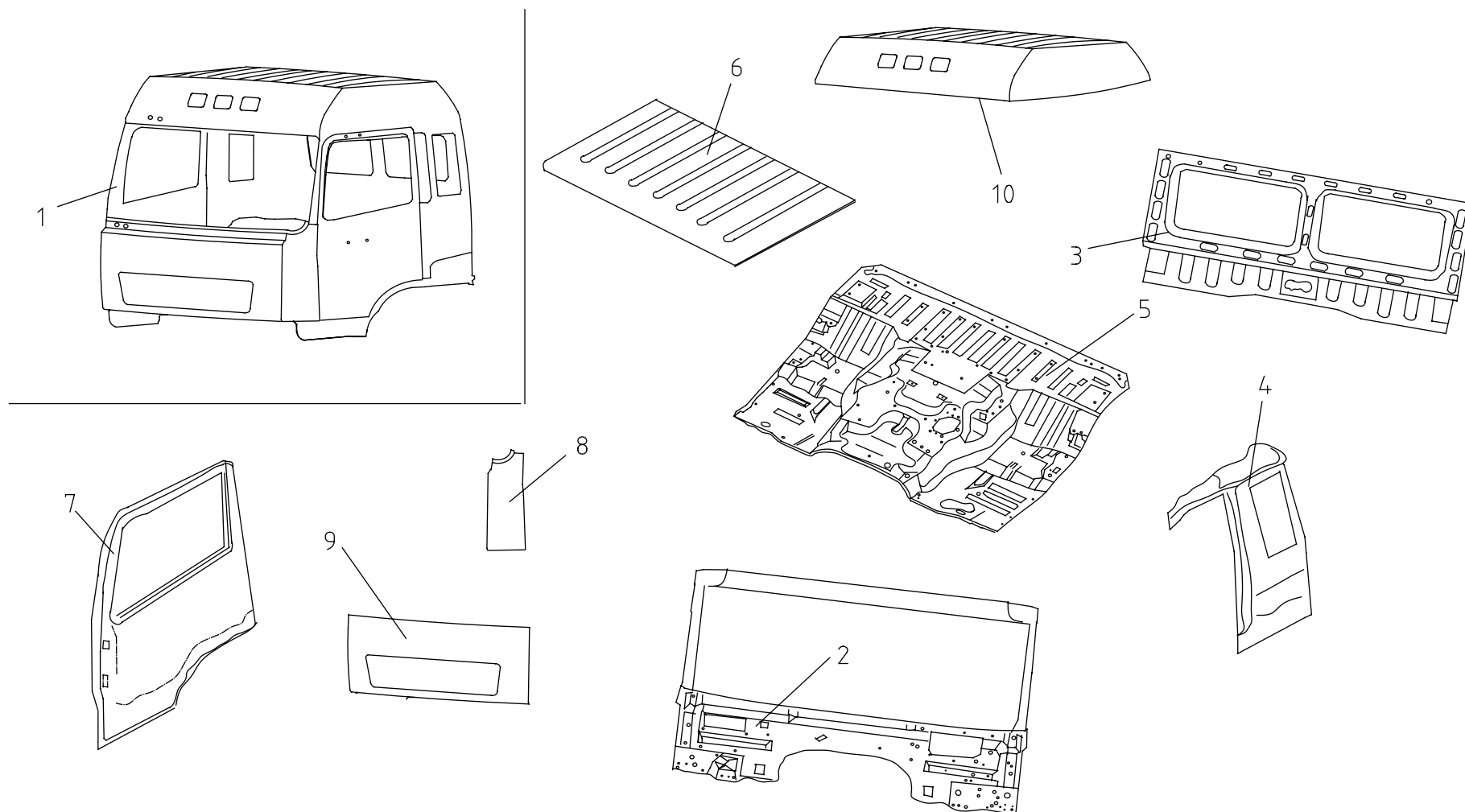
车身系统 / BODY SYSTEM

50-14

| 序号<br>No. | 件号<br>Part No. | 数量<br>Quantity | 名称<br>Name                                    | 规格<br>Specification | 适用产品<br>Products Applied                          | 备注<br>Remark |
|-----------|----------------|----------------|---|---------------------|---|--------------|
| 1         | 50G-00014      | 1              | 驾驶室总成 - 已喷漆<br>Cab Assembly-Painted           |                     | 50-D 部分为高顶驾驶室专用<br>50-D Only For High Roof Cab    |              |
|           | 50GDQ-00014    | 1              | 驾驶室总成 - 已喷漆<br>Cab Assembly-Painted           |                     | 加装 ABS 斯太尔系列发动机<br>STEYR Series Engine With ABS   |              |
|           | 50EG-00014     | 1              | 驾驶室总成 - 已喷漆<br>Cab Assembly-Painted           |                     | 欧款高顶非牵引车系列<br>Europe High Roof Non-Tractor Series |              |
|           | 50EGQ-00014    | 1              | 驾驶室总成 - 已喷漆<br>Cab Assembly-Painted           |                     | 欧款高顶牵引车系列<br>Europe High Roof Tractor Series      |              |
| 2         | 53A1-01010     | 1              | 前围焊接总成<br>Cowl Welding Assembly               |                     |   |              |
| 3         | 56A1-01010     | 1              | 后围焊接总成<br>Back Wall Welding Assembly          |                     |   |              |
| 4         | 54G-00009      | 1              | 左侧围焊接总成<br>Quarter Welding Assembly LH        |                     |   |              |
|           | 54G-00010      | 1              | 右侧围焊接总成<br>Quarter Welding Assembly RH        |                     |   |              |
|           | 54EG-00009/10  | 1              | 左 / 右侧围焊接总成<br>Quarter Welding Assembly LH/RH |                     | 欧款高顶系列<br>Europe High Roof Series                 |              |
| 5         | 51A-00001      | 1              | 地板焊接总成<br>Floor Welding Assembly              |                     |   |              |
| 6         | 57G-01010      | 1              | 中顶盖总成<br>Middle Roof Assembly                 |                     |   |              |
| 7         | 61B1-01009     | 1              | 左车门焊接总成<br>Door Welding Assembly LH           |                     |   |              |
|           | 61B1-01010     | 1              | 右车门焊接总成<br>Door Welding Assembly RH           |                     |   |              |
| 8         | 53B1-01369     | 1              | 左外侧板总成<br>Outer Side Panel LH                 |                     |   |              |

## 驾驶室总成 / CAB ASSEMBLY

50-D



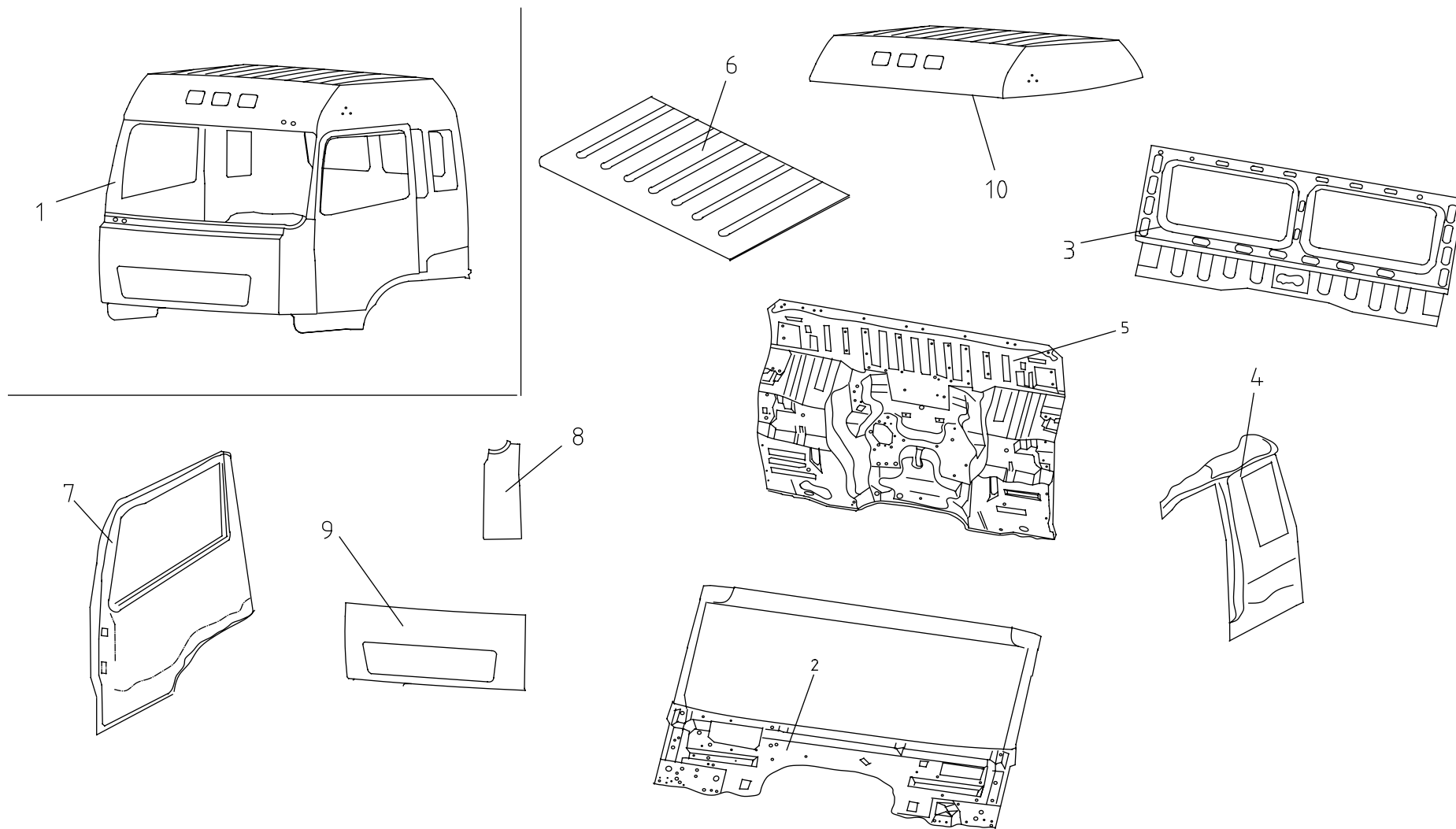
车身系统 / BODY SYSTEM

50-16

| 序号<br>No. | 件号<br>Part No. | 数量<br>Quantity | 名称<br>Name                              | 规格<br>Specification | 适用产品<br>Products Applied          | 备注<br>Remark |
|-----------|----------------|----------------|---|---------------------|-----------------------------------|--------------|
| 8         | 53B1-01370     | 1              | 右外侧板总成<br>Outer Side Panel RH           |                     |                                   |              |
| 9         | 84A1-01010     | 1              | 前盖板焊接总成<br>Front Panel Welding Assembly |                     |                                   |              |
| 10        | 57G-02005      | 1              | 顶盖总成<br>Roof Assembly                   |                     |                                   |              |
|           | 57EG-02005     | 1              | 顶盖总成<br>Roof Assembly                   |                     | 欧款高顶系列<br>Europe High Roof Series |              |

## 右驾驾驶室总成 / CAB ASSEMBLY FOR RHD

50-E





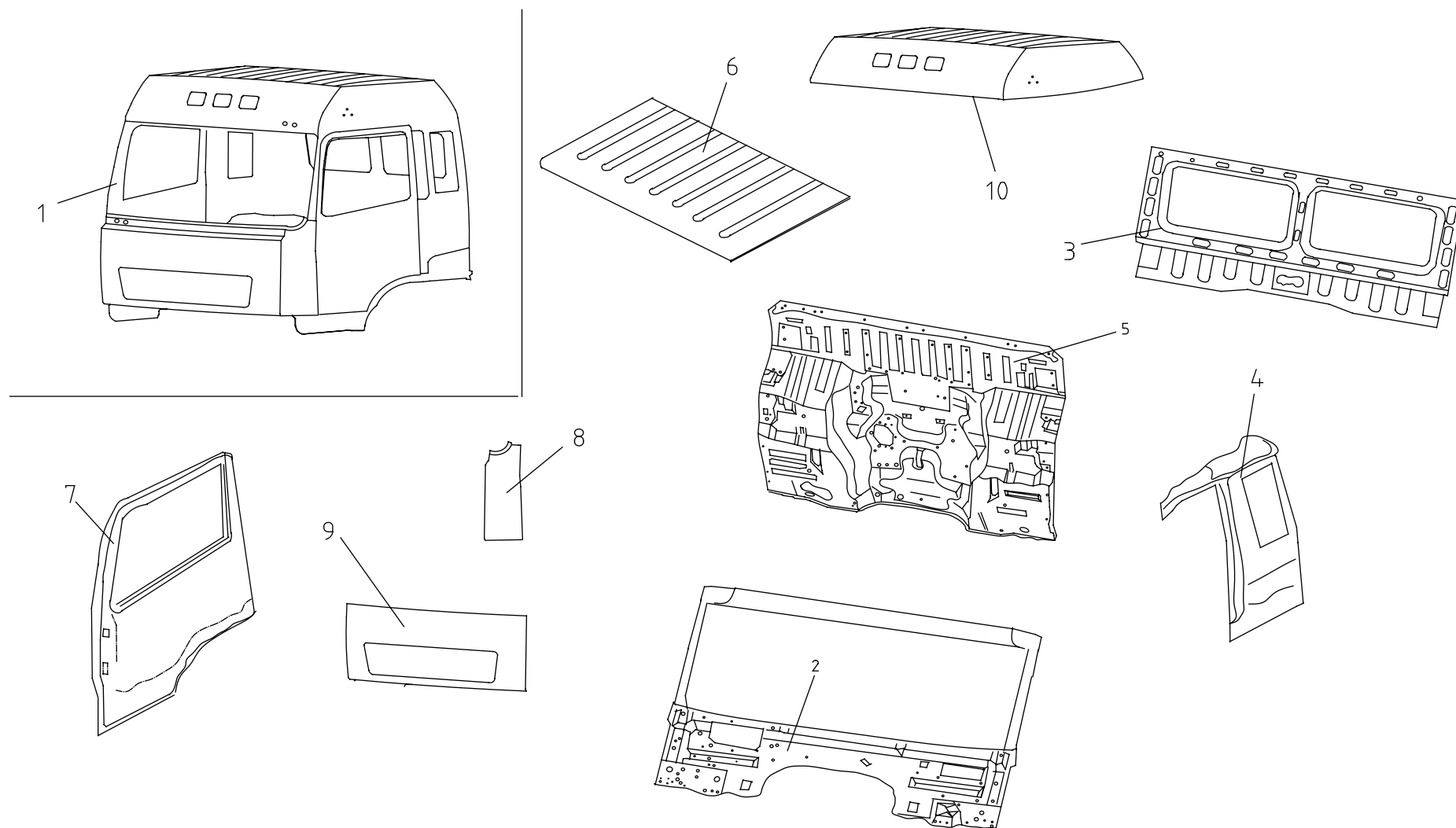
车身系统 / BODY SYSTEM

50-18

| 序号<br>No. | 件号<br>Part No. | 数量<br>Quantity | 名称<br>Name                             | 规格<br>Specification | 适用产品<br>Products Applied                                | 备注<br>Remark |
|-----------|----------------|----------------|--|---------------------|---|--------------|
| 1         | 50EYG-00014    | 1              | 驾驶室总成 - 已喷漆<br>Cab Assembly-Painted    |                     | 欧款右驾高顶非牵引车系列<br>Europe RHD High Roof Non-Tractor Series |              |
|           | 50EYGQ-00014   | 1              | 驾驶室总成 - 已喷漆<br>Cab Assembly-Painted    |                     | 欧款右驾高顶牵引车系列<br>Europe RHD High Roof Tractor Series      |              |
| 2         | 53AY-01010     | 1              | 前围焊接总成<br>Cowl Welding Assembly        |                     | 右驾系列<br>RHD Series                                      |              |
| 3         | 56A1-01010     | 1              | 后围焊接总成<br>Back Wall Welding Assembly   |                     |   |              |
| 4         | 54G-00009      | 1              | 左侧围焊接总成<br>Quarter Welding Assembly LH |                     |   |              |
|           | 54G-00010      | 1              | 右侧围焊接总成<br>Quarter Welding Assembly RH |                     |   |              |
|           | 54EG-00009     | 1              | 左侧围焊接总成<br>Quarter Welding Assembly LH |                     | 欧款高顶系列<br>Europe High Roof Series                       |              |
|           | 54EG-00010     | 1              | 右侧围焊接总成<br>Quarter Welding Assembly RH |                     | 欧款高顶系列<br>Europe High Roof Series                       |              |
| 5         | 51AY-00001     | 1              | 地板焊接总成<br>Floor Welding Assembly       |                     | 右驾系列<br>RHD Series                                      |              |
| 6         | 57G-01010      | 1              | 中顶盖总成<br>Middle Roof Assembly          |                     |   |              |
| 7         | 61BY-01009     | 1              | 左车门焊接总成<br>Door Welding Assembly LH    |                     | 右驾系列<br>RHD Series                                      |              |
|           | 61BY-01010     | 1              | 右车门焊接总成<br>Door Welding Assembly RH    |                     | 右驾系列<br>RHD Series                                      |              |
| 8         | 53B1-01369     | 1              | 左外侧板总成<br>Outer Side Panel LH          |                     |   |              |
|           | 53B1-01370     | 1              | 右外侧板总成<br>Outer Side Panel RH          |                     |   |              |

## 右驾驾驶室总成 / CAB ASSEMBLY FOR RHD

50-E



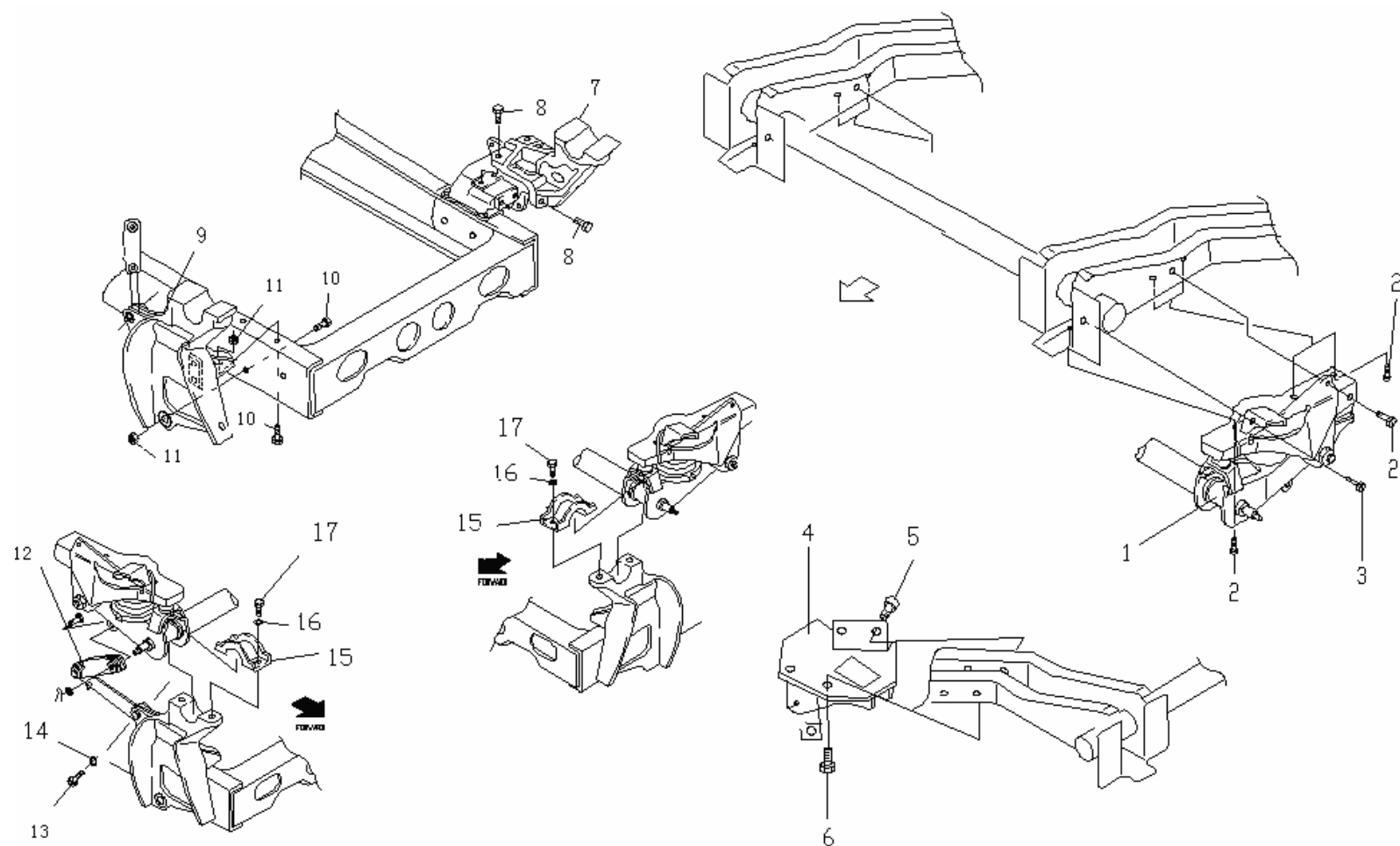
车身系统 / BODY SYSTEM

50-20

| 序号<br>No. | 件号<br>Part No. | 数量<br>Quantity | 名称<br>Name                               | 规格<br>Specification | 适用产品<br>Products Applied | 备注<br>Remark |
|-----------|----------------|----------------|--|---------------------|--------------------------|--------------|
| 9         | 84A1-01010     | 1              | 前盖板焊接总成<br>Front Panel Welding Assembly  |                     |                          |              |
| 10        | 57YG-02005     | 1              | 顶盖总成<br>Roof Assembly                    |                     | 右驾系列<br>RHD Series       |              |
|           | Q1461025       | 8              | 六角头组合螺栓<br>Hexagon Head Combination Bolt |                     |                          |              |

## 驾驶室前悬置 / CAB FRONT MOUNTING

50-F



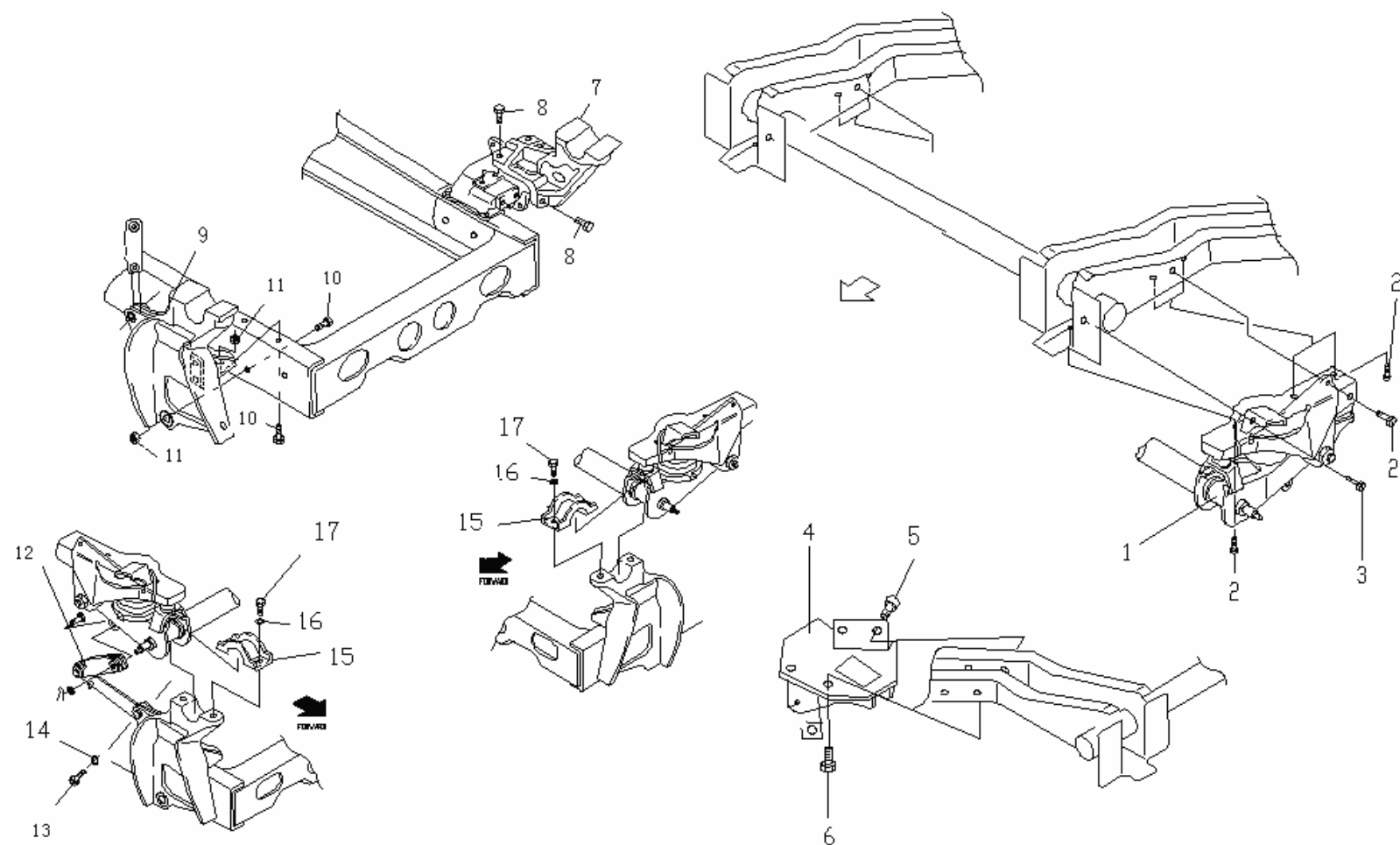
车身系统 / BODY SYSTEM

50-22

| 序号<br>No. | 件号<br>Part No.  | 数量<br>Quantity | 名称<br>Name  | 规格<br>Specification | 适用产品<br>Products Applied           | 备注<br>Remark |
|-----------|-----------------|----------------|---|---------------------|------------------------------------|--------------|
| 1         | 50A-05010       | 1              | 前减振悬置总成<br>Front Damping Mounting Assembly                              |                     |                                    |              |
|           | 50A5-05010      | 1              | 前减振悬置总成<br>Front Damping Mounting Assembly                              |                     | 窄体系列<br>Narrow Cab Series          |              |
| 2         | Q150B1435TF3    | 8              | 六角头螺栓<br>Hexagon Head Bolt  |                     |                                    |              |
|           | Q40314          | 8              | 弹簧垫圈<br>Spring Washer   |                     |                                    |              |
|           | Q40114          | 8              | 平垫圈<br>Plate Washer   |                     |                                    |              |
| 3         | Q150B1445TF3    | 2              | 六角头螺栓<br>Hexagon Head Bolt  |                     |                                    |              |
|           | Q40314          | 2              | 弹簧垫圈<br>Spring Washer   |                     |                                    |              |
|           | Q40114          | 2              | 平垫圈<br>Plate Washer   |                     |                                    |              |
| 4         | 50A-07030       | 1              | 举升油缸上支座总成 - 分体式<br>Lift Cylinder Upper Abutment Assembly-Separated Type |                     |                                    |              |
|           | 50A5-07030      | 1              | 举升油缸上支座总成 - 分体式<br>Lift Cylinder Upper Abutment Assembly-Separated Type |                     | 窄体系列<br>Narrow Cab Series          |              |
|           | 50AY-07030      | 1              | 举升油缸上支座总成 - 分体式<br>Lift Cylinder Upper Abutment Assembly-Separated Type |                     | 右驾系列<br>RHD Series                 |              |
|           | 50A-05020       | 1              | 举升油缸上支座总成 - 分体式<br>Lift Cylinder Upper Abutment Assembly-Separated Type |                     |                                    |              |
|           | 50AK20DZ5-07030 | 1              | 举升油缸上支座总成 - 分体式<br>Lift Cylinder Upper Abutment Assembly-Separated Type |                     | 976 车架左驾系列<br>976 Frame LHD Series |              |

## 驾驶室前悬置 / CAB FRONT MOUNTING

50-F



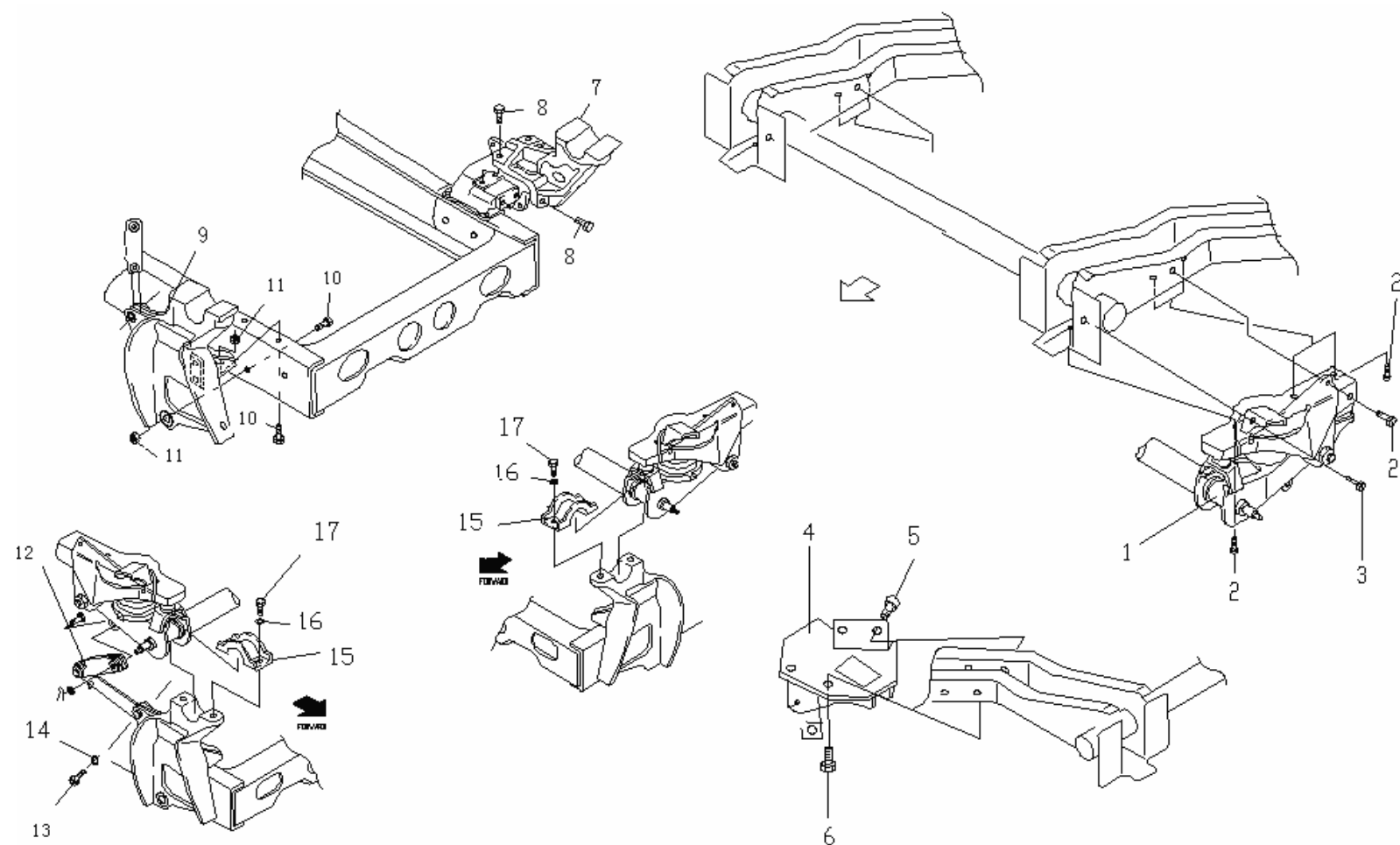
车身系统 / BODY SYSTEM

50-24

| 序号<br>No. | 件号<br>Part No.   | 数量<br>Quantity | 名称<br>Name   | 规格<br>Specification | 适用产品<br>Products Applied           | 备注<br>Remark |
|-----------|------------------|----------------|--|---------------------|------------------------------------|--------------|
| 4         | 50AH52DYZ4-07030 | 1              | 举升油缸上支座总成 - 分体式<br>Lift Cylinder Upper Abutment Assembly-Separated Type  |                     | 976 车架右驾系列<br>976 Frame RHD Series |              |
| 5         | Q1461030         | 2              | 六角头平垫圈组合螺栓<br>Hexagon Head Combination Bolt With Spring And Plate Washer |                     |                                    |              |
| 6         | Q1461230         | 2              | 六角头平垫圈组合螺栓<br>Hexagon Head Combination Bolt With Spring And Plate Washer |                     |                                    |              |
| 7         | 50A3D-04046      | 1              | 左翻转支架<br>Tilt Bracket LH   |                     |                                    |              |
|           | 50BD-04046       | 1              | 左翻转支架<br>Tilt Bracket LH   |                     | 窄体系列<br>Narrow Cab Series          |              |
|           | 50AY-04046       | 1              | 左翻转支架<br>Tilt Bracket LH   |                     | 右驾系列<br>RHD Series                 |              |
| 8         | Q150B1645TF3     | 4              | 六角头组合螺栓<br>Hexagon Head Combination Bolt                                 |                     |                                    |              |
|           | Q40316           | 4              | 弹簧垫圈<br>Spring Washer  |                     |                                    |              |
|           | Q40116           | 4              | 平垫圈<br>Plate Washer  |                     |                                    |              |
| 9         | 50A3D-04048      | 1              | 右翻转支架<br>Tilt Bracket RH   |                     |                                    |              |
|           | 50BD-04048       | 1              | 右翻转支架<br>Tilt Bracket RH   |                     | 窄体系列<br>Narrow Cab Series          |              |
|           | 50AY-04048       | 1              | 右翻转支架<br>Tilt Bracket RH   |                     | 右驾系列<br>RHD Series                 |              |

## 驾驶室前悬置 / CAB FRONT MOUNTING

50-F





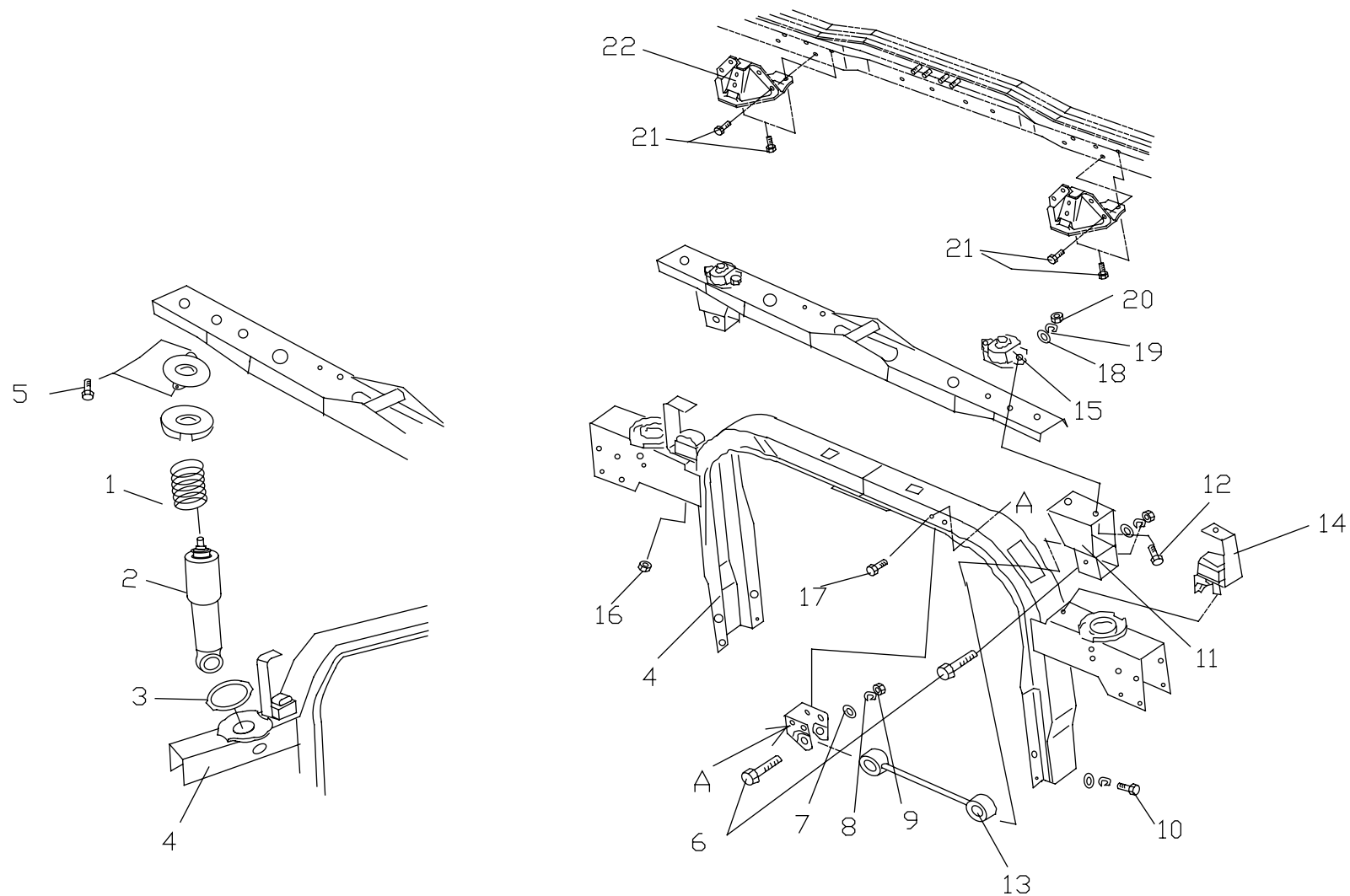
车身系统 / BODY SYSTEM

50-26

| 序号<br>No. | 件号<br>Part No. | 数量<br>Quantity | 名称<br>Name                               | 规格<br>Specification | 适用产品<br>Products Applied | 备注<br>Remark |
|-----------|----------------|----------------|--|---------------------|--------------------------|--------------|
| 11        | Q340B16        | 4              | 六角头螺母<br>Hexagon Head Nut                |                     |                          |              |
| 12        | 50A3D-04050    | 1              | 翻转限位拉杆总成<br>Tilt Limiting Lever Assembly |                     |                          |              |
| 13        | Q151C1240      | 1              | 六角头螺栓 - 细牙<br>Hexagon Head Bolt-Fine     |                     |                          |              |
| 14        | Q40312         | 1              | 弹簧垫圈<br>Spring Washer                    |                     |                          |              |
| 15        | 50A-06120      | 2              | 翻转轴盖<br>Tilt Shaft Cover                 |                     |                          |              |
| 16        | Q40314         | 4              | 弹簧垫圈<br>Spring Washer                    |                     |                          |              |
| 17        | Q151B1430      | 4              | 六角头螺栓 - 细牙<br>Hexagon Head Bolt-Fine     |                     |                          |              |

## 驾驶室后悬置 / CAB REAR MOUNTING

50-G



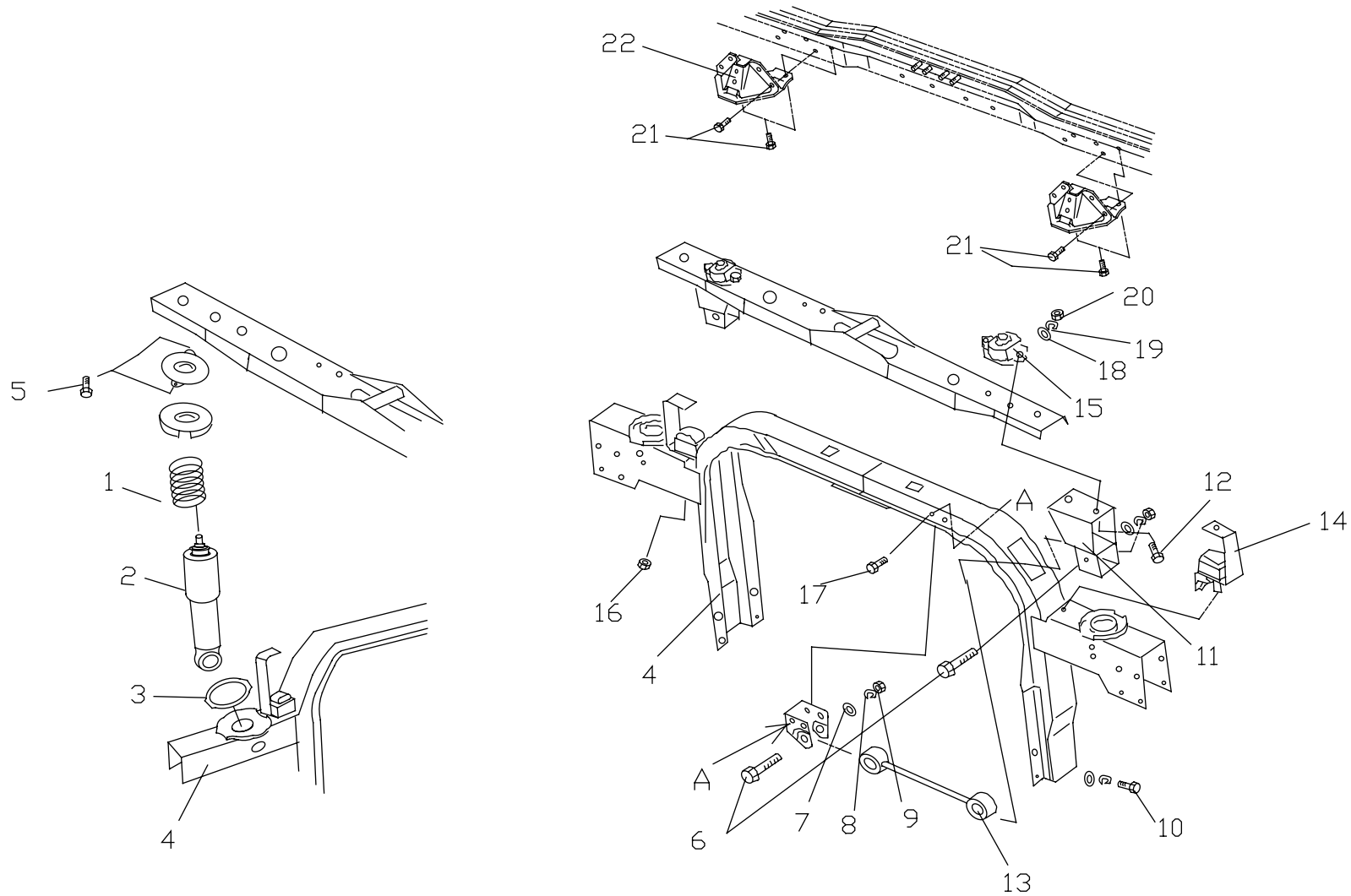
车身系统 / BODY SYSTEM

50-28

| 序号<br>No. | 件号<br>Part No.  | 数量<br>Quantity | 名称<br>Name   | 规格<br>Specification | 适用产品<br>Products Applied                     | 备注<br>Remark |
|-----------|-----------------|----------------|--|---------------------|--|--------------|
| 1         | 50A-05035       | 2              | 后减震弹簧<br>Rear Damping Spring                       |                     |  |              |
| 2         | 50A-05034       | 2              | 后减震器总成<br>Rear Shock Absorber Assembly             |                     |  |              |
| 3         | 50A-05036       | 4              | 后减震弹簧垫圈<br>Rear Damping Spring Washer              |                     |  |              |
| 4         | 50A3D-05030     | 1              | 后减震悬置总成<br>Rear Damping Mounting Assembly          |                     | 非牵引车<br>Non-Tractor                          |              |
|           | 50A3DQ-05030    | 1              | 后减震悬置总成<br>Rear Damping Mounting Assembly          |                     | 牵引车<br>Tractor                               |              |
|           | 50A5-05030      | 1              | 后减震悬置总成<br>Rear Damping Mounting Assembly          |                     | 窄体系列<br>Narrow Cab Series                    |              |
|           | 50AK20DZ5-05030 | 1              | 后减震悬置总成<br>Rear Damping Mounting Assembly          |                     | 976 车架系列<br>976 Frame Series                 |              |
| 5         | Q1460820        | 4              | 六角头组合螺栓<br>Hexagon Head Combination Bolt           |                     |  |              |
| 6         | Q150B1480       | 2              | 六角头螺栓<br>Hexagon Head Bolt                         |                     |  |              |
| 7         | Q40114          | 2              | 平垫圈<br>Plate Washer                                |                     |  |              |
| 8         | Q40314          | 2              | 弹簧垫圈<br>Spring Washer                              |                     |  |              |
| 9         | Q340B14         | 2              | I 型六角螺母<br>Hexagon Full Nut                        |                     |  |              |
| 10        | Q151B1450TF3    | 8              | 六角头组合螺栓 - 细牙<br>Hexagon Head Combination Bolt-Fine |                     | 康明斯系列发动机专用<br>Only For CUMMINS Series Engine |              |
|           | Q40114          | 8              | 平垫圈<br>Plate Washer                                |                     |  |              |

## 驾驶室后悬置 / CAB REAR MOUNTING

50-G



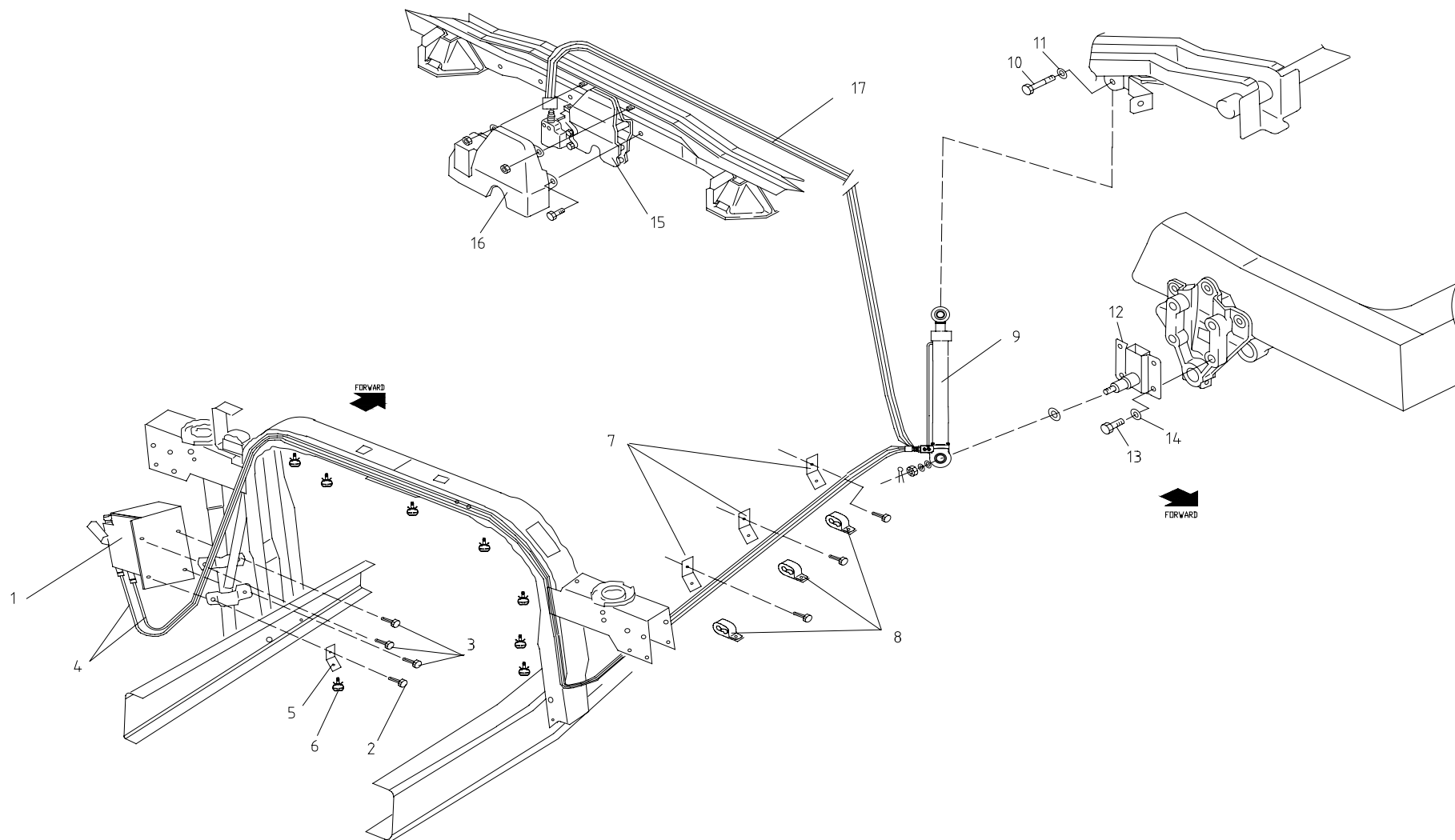
车身系统 / BODY SYSTEM

50-30

| 序号<br>No. | 件号<br>Part No. | 数量<br>Quantity | 名称<br>Name   | 规格<br>Specification | 适用产品<br>Products Applied                     | 备注<br>Remark |
|-----------|----------------|----------------|--|---------------------|--|--------------|
| 10        | Q40314         | 8              | 弹簧垫圈<br>Spring Washer                              |                     | 康明斯系列发动机专用<br>Only For CUMMINS Series Engine |              |
| 11        | 50A-05037      | 1              | 缓冲限位支架总成<br>Bumper Limiting Bracket Assembly       |                     |  |              |
| 12        | Q150B1235      | 4              | 六角头螺栓<br>Hexagon Head Bolt                         |                     |  |              |
| 13        | 50A-05038      | 1              | 连杆总成 - 后悬<br>Link Assembly-Rear Mounting           |                     |  |              |
| 14        | 50A-05037      | 2              | 缓冲限位支架总成<br>Bumper Limiting Bracket Assembly       |                     |  |              |
| 15        | 50A-05039      | 2              | 缓冲支座<br>Buffer Holder                              |                     |  |              |
| 16        | Q340B10        | 2              | I 型六角螺母<br>Hexagon Full Nut                        |                     |  |              |
| 17        | HQ1461025      | 4              | 六角头组合螺栓XII细牙<br>Hexagon Head Combination Bolt-Fine |                     |  | P=1.25       |
| 18        | Q40112         | 4              | 平垫圈<br>Plate Washer                                |                     |  |              |
| 19        | Q40312         | 4              | 弹簧垫圈<br>Spring Washer                              |                     |  |              |
| 20        | Q340B12        | 4              | I 型六角螺母<br>Hexagon Full Nut                        |                     |  |              |
| 21        | Q1461030       | 12             | 六角头组合螺栓<br>Hexagon Head Combination Bolt           |                     |  |              |

## 驾驶室翻转器 / CAB TILT DEVICE

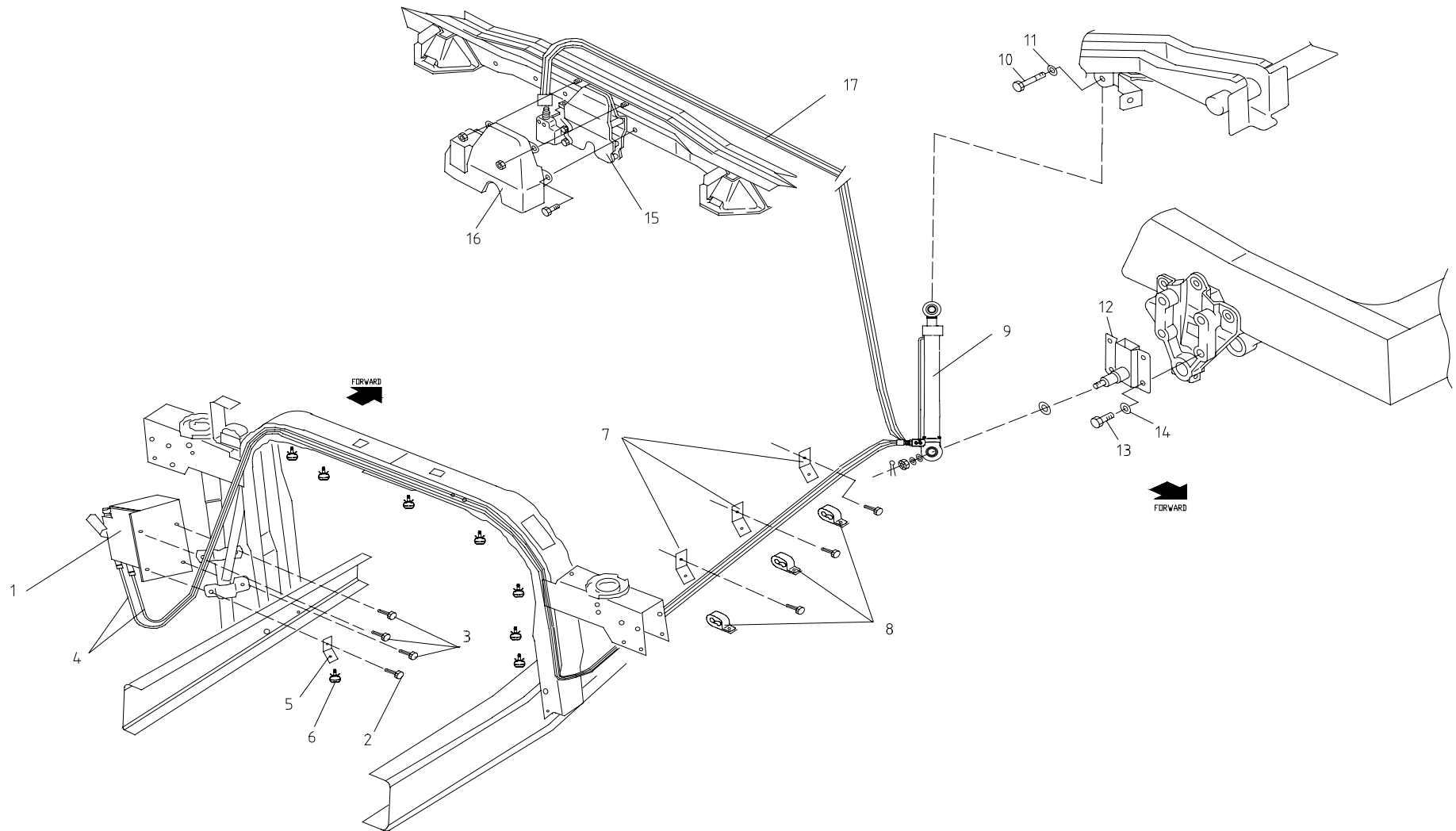
50-H



| 序号<br>No. | 件号<br>Part No. | 数量<br>Quantity | 名称<br>Name  | 规格<br>Specification | 适用产品<br>Products Applied | 备注<br>Remark |
|-----------|----------------|----------------|---|---------------------|--------------------------|--------------|
| 1         | 50A3D-07035    | 1              | 翻转控制机构总成 - 分体式<br>Tilt Control Mechanism Assembly-Separated Type                |                     |                          |              |
|           | 50A-07045      | 1              | 翻转器使用须知贴纸<br>Tilt Device Service Requirements Sticker                           |                     |                          |              |
| 2         | Q1461025       | 3              | 六角头组合螺栓<br>Hexagon Head Combination Bolt  |                     |                          |              |
| 3         | Q1461030       | 1              | 六角头组合螺栓<br>Hexagon Head Combination Bolt  |                     |                          |              |
| 4         | 50A3D-07025    | 1              | 翻转油缸进回油管总成 - 分体式<br>Tilt Cylinder Inlet And Return Pipe Assembly-Separated Type |                     |                          |              |
| 5         | 37AD--34068    | 1              | 支架<br>Bracket   |                     |                          |              |
| 6         | 37AD--33007    | 8              | 塑料线卡<br>Plastic Wire Snap Ring  |                     |                          |              |
| 7         | 37AD--34014    | 3              | 支架<br>Bracket   |                     |                          |              |
| 8         | 37AD--33413    | 3              | 压注橡胶<br>Compression Rubber  |                     |                          |              |
|           | 37AD--33041    | 2              | 扎带<br>Band  |                     |                          |              |
|           | Q1460825       | 1              | 六角头组合螺栓<br>Hexagon Head Combination Bolt  |                     |                          |              |
|           | Q1460830       | 1              | 六角头组合螺栓<br>Hexagon Head Combination Bolt  |                     |                          |              |
|           | Q1460820       | 1              | 六角头组合螺栓<br>Hexagon Head Combination Bolt  |                     |                          |              |
|           | Q32008         | 3              | 六角法兰面螺母<br>Hexagon Nut With Flange  |                     |                          |              |

## 驾驶室翻转器 / CAB TILT DEVICE

50-H

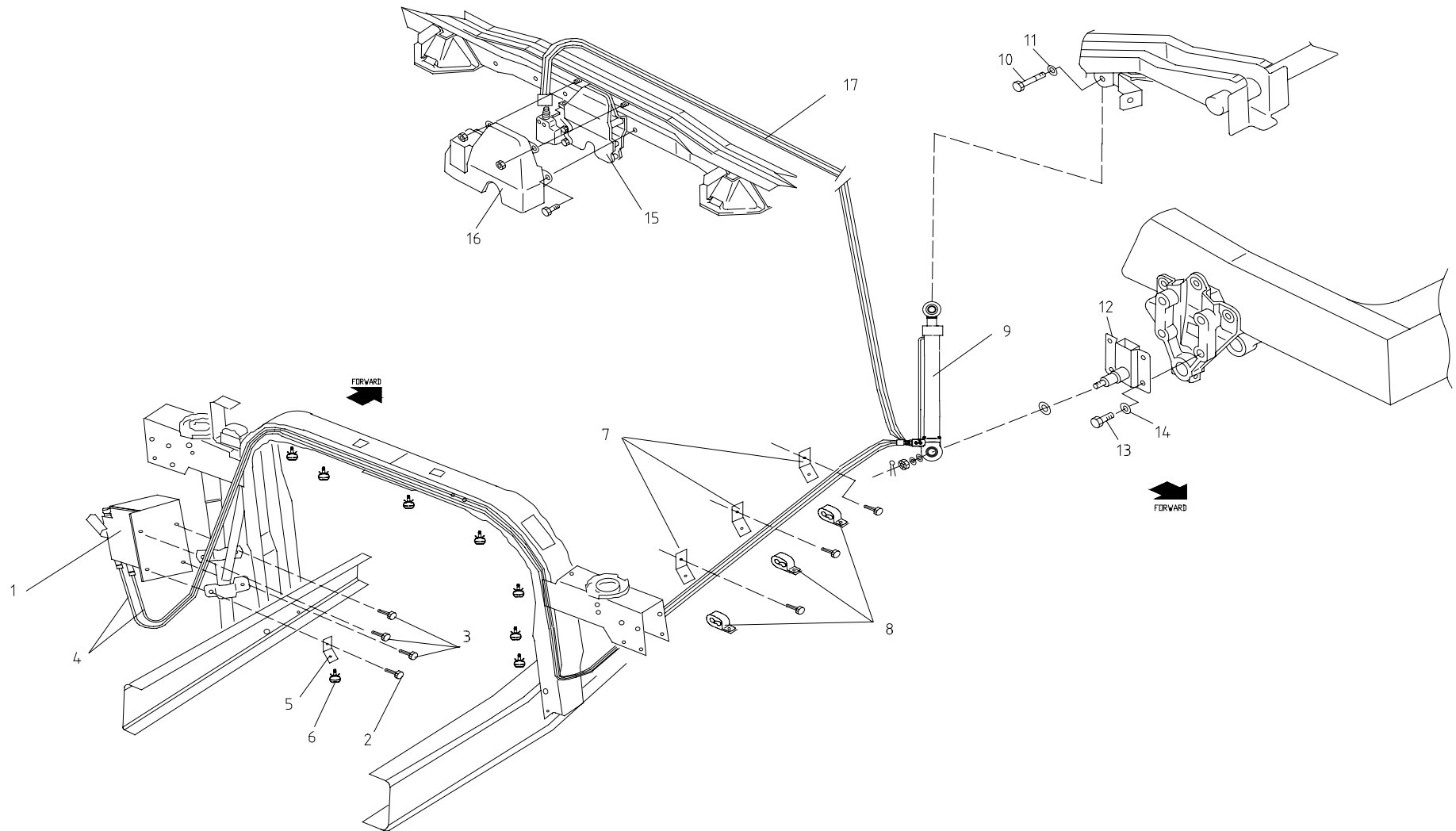




| 序号<br>No. | 件号<br>Part No. | 数量<br>Quantity | 名称<br>Name   | 规格<br>Specification | 适用产品<br>Products Applied | 备注<br>Remark                           |
|-----------|----------------|----------------|--|---------------------|--------------------------|--|
| 8         | Q1460620       | 3              | 六角头组合螺栓<br>Hexagon Head Combination Bolt                             |                     |                          |  |
|           | Q32006         | 3              | 六角法兰面螺母<br>Hexagon Nut With Flange                                   |                     |                          |  |
| 9         | 50A-07010      | 1              | 翻转器举升油缸总成 - 分体式<br>Tilt Device Lift Cylinder Assembly-Separated Type |                     |                          | 带附件<br>W/Accessory                     |
| 10        | Q151B1465      | 4              | 六角头螺栓 - 细牙<br>Hexagon Head Bolt-Fine                                 |                     |                          |  |
| 11        | Q40314         | 4              | 弹簧垫圈<br>Spring Washer  |                     |                          |  |
| 12        | 50A3D-07051    | 1              | 举升油缸下支座总成<br>Lift Cylinder Lower Abutment Assembly                   |                     |                          | 中欧翻转器<br>Central Europe Tilt Device    |
|           | 50A3D-07055    | 1              | 举升油缸下支座总成<br>Lift Cylinder Lower Abutment Assembly                   |                     |                          | 实用动力翻转器<br>Practical Power Tilt Device |
| 13        | Q151B1430      | 4              | 六角头螺栓<br>Hexagon Head Bolt   |                     |                          |  |
| 14        | Q40314         | 4              | 弹簧垫圈<br>Spring Washer  |                     |                          |  |
| 15        | 5004A-010      | 1              | 翻转锁止机构总成<br>Tilt Lock Mechanism Assembly                             |                     |                          |  |
|           | Q1461065       | 2              | 六角头组合螺栓<br>Hexagon Head Combination Bolt                             |                     |                          |  |
|           | Q32010         | 2              | 六角法兰面螺母<br>Hexagon Nut With Flange                                   |                     |                          |  |
|           | Q40110         | 4              | 平垫圈<br>Plate Washer  |                     |                          |  |

## 驾驶室翻转器 / CAB TILT DEVICE

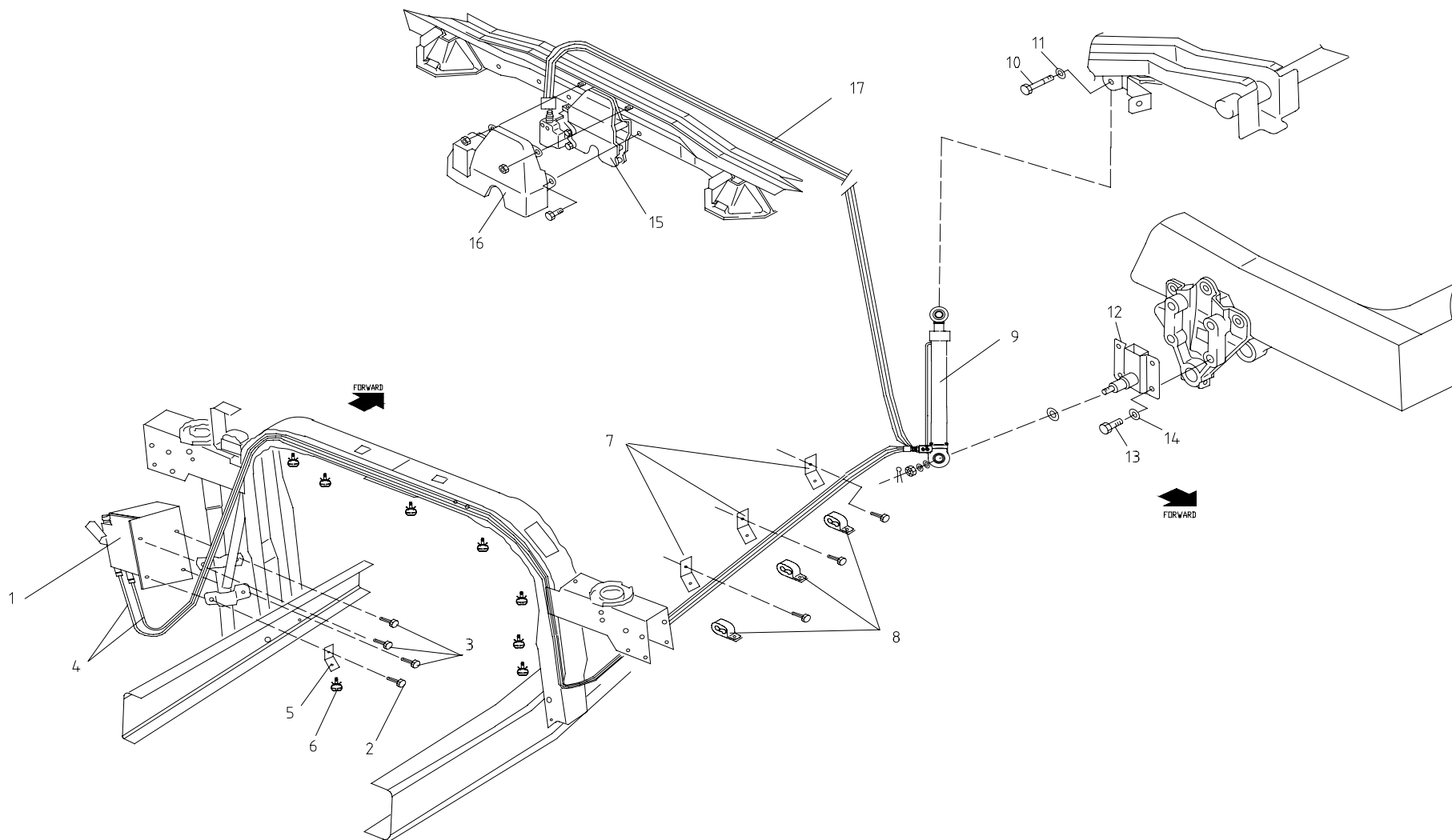
50-H



| 序号<br>No. | 件号<br>Part No. | 数量<br>Quantity | 名称<br>Name   | 规格<br>Specification | 适用产品<br>Products Applied  | 备注<br>Remark |
|-----------|----------------|----------------|--|---------------------|---------------------------|--------------|
| 16        | 50A-04012      | 1              | 翻转锁止机构塑料罩<br>Tilt Lock Mechanism Plastic Cover               |                     |                           |              |
|           | Q1840816       | 2              | 六角法兰面螺栓<br>Hexagon Bolt With Flange                          |                     |                           |              |
|           | Q32010         | 2              | 六角法兰面螺母<br>Hexagon Nut With Flange                           |                     |                           |              |
| 17        | 50A-07020      | 1              | 翻转锁止油管总成 - 分体式<br>Tilt Lock Oil Pipe Assembly-Separated Type |                     |                           |              |
|           | 50A5-07020     | 1              | 翻转锁止油管总成 - 分体式<br>Tilt Lock Oil Pipe Assembly-Separated Type |                     | 窄体系列<br>Narrow Cab Series |              |
|           | 37AD--33017    | 1              | 塑料线卡<br>Plastic Wire Snap Ring                               |                     |                           |              |
|           | 37AD--33406    | 2              | 定位夹<br>Locating Clip   |                     |                           |              |
|           | 37AD--33031    | 3              | 塑料管卡<br>Plastic Tube Clamp                                   |                     |                           |              |
|           | 37AD--33027    | 3              | 塑料管卡<br>Plastic Tube Clamp                                   |                     |                           |              |
|           | 5002A-021      | 1              | 锁栓油管支架 I<br>Latch Oil Pipe Bracket I                         |                     |                           |              |
|           | 37AD-33043     | 1              | 扎带<br>Band   |                     |                           |              |
|           | 37AD--34003    | 1              | 支架<br>Bracket  |                     |                           |              |
|           | 61A-01070      | 1              | 棱边护套<br>Edge Housing   |                     |                           |              |
|           | 51A-10010      | 2              | 橡胶圈<br>Rubber Ring   |                     |                           |              |

## 驾驶室翻转器 / CAB TILT DEVICE

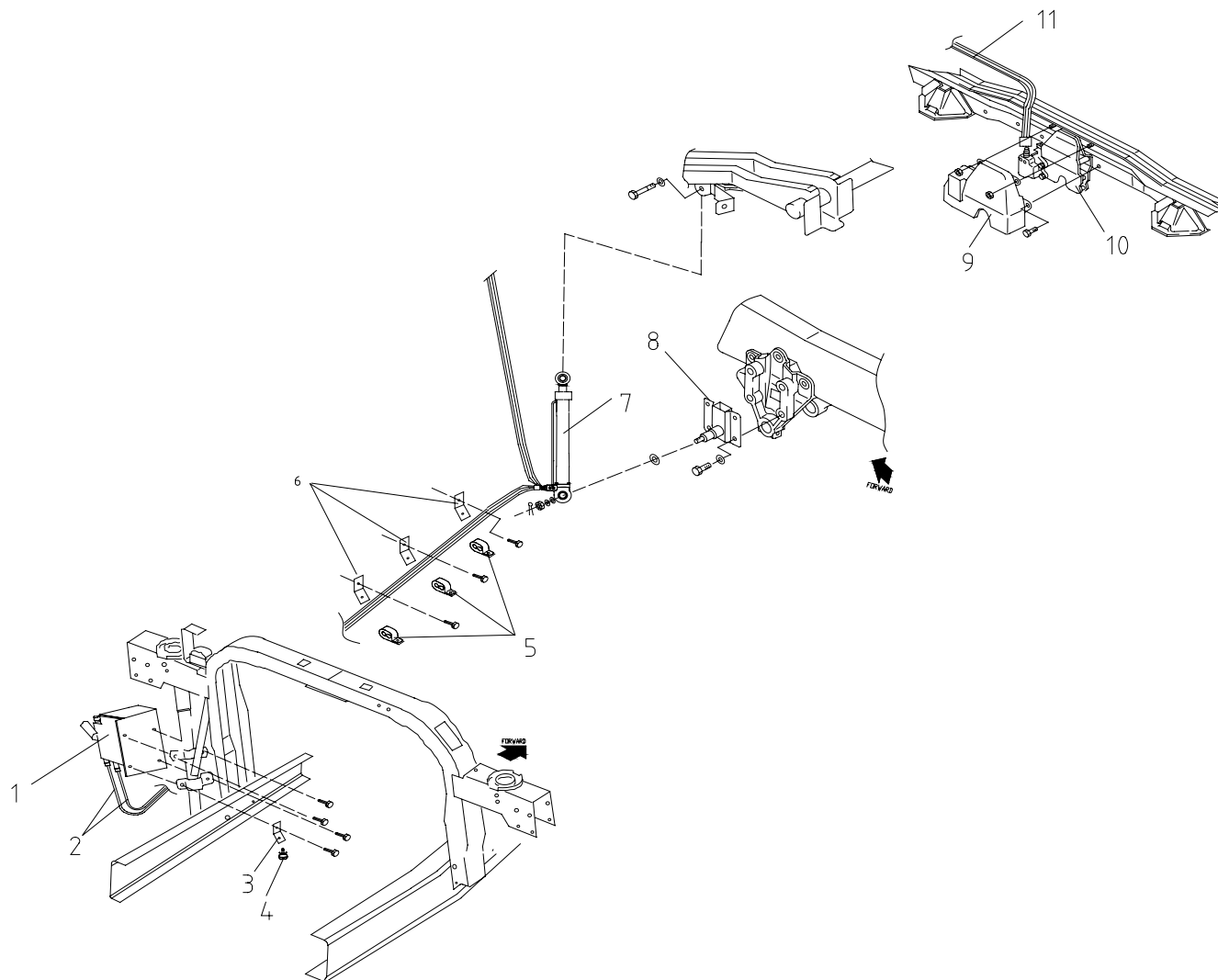
50-H



| 序号<br>No. | 件号<br>Part No. | 数量<br>Quantity | 名称<br>Name                               | 规格<br>Specification | 适用产品<br>Products Applied | 备注<br>Remark |
|-----------|----------------|----------------|--|---------------------|--------------------------|--------------|
| 17        | Q1460820       | 3              | 六角头组合螺栓<br>Hexagon Head Combination Bolt |                     |                          |              |
|           | Q1840830       | 3              | 六角法兰面螺栓<br>Hexagon Bolt With Flange      |                     |                          |              |
|           | Q1840840       | 3              | 六角法兰面螺栓<br>Hexagon Bolt With Flange      |                     |                          |              |
|           | Q1461025       | 1              | 六角头组合螺栓<br>Hexagon Head Combination Bolt |                     |                          |              |
|           | Q32008         | 3              | 六角法兰面螺母<br>Hexagon Nut With Flange       |                     |                          |              |

## 右驾驾驶室翻转器 / CAB TILT DEVICE FOR RHD

50-1



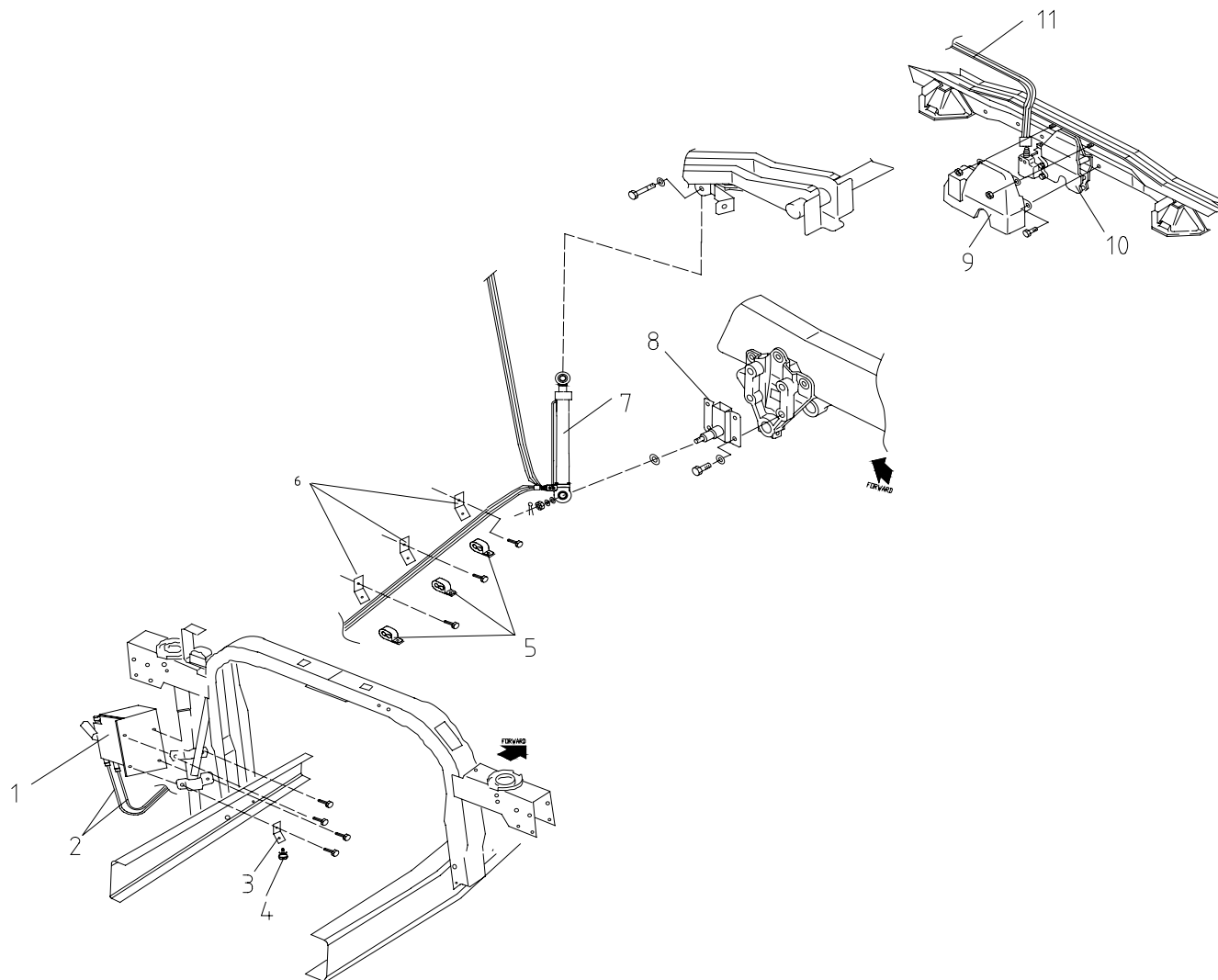
车身系统 / BODY SYSTEM

50-40

| 序号<br>No. | 件号<br>Part No. | 数量<br>Quantity | 名称<br>Name  | 规格<br>Specification | 适用产品<br>Products Applied | 备注<br>Remark       |
|-----------|----------------|----------------|---|---------------------|--------------------------|--------------------|
| 1         | 50A3D-07035    | 1              | 翻转控制机构总成 - 分体式<br>Tilt Control Mechanism Assembly-Separated Type                |                     |                          |                    |
|           | 50A-07045      | 1              | 翻转器使用须知贴纸<br>Tilt Device Service Requirements Sticker                           |                     |                          |                    |
|           | Q1461030       | 4              | 六角头组合螺栓<br>Hexagon Head Combination Bolt  |                     |                          |                    |
| 2         | 50AY-07025     | 1              | 翻转油缸进回油管总成 - 分体式<br>Tilt Cylinder Inlet And Return Pipe Assembly-Separated Type |                     | 右驾系列<br>RHD Series       |                    |
| 3         | 37AD--34068    | 1              | 支架<br>Bracket   |                     |                          |                    |
|           | Q1460830       | 1              | 六角头组合螺栓<br>Hexagon Head Combination Bolt  |                     |                          |                    |
| 4         | 37AD--33007    | 3              | 塑料线卡<br>Plastic Wire Snap Ring  |                     |                          |                    |
| 5         | 37AD--33413    | 3              | 压注橡胶<br>Compression Rubber  |                     |                          |                    |
|           | Q1460620       | 3              | 六角头组合螺栓<br>Hexagon Head Combination Bolt  |                     |                          |                    |
|           | Q32006         | 3              | 六角法兰面螺母<br>Hexagon Nut With Flange  |                     |                          |                    |
| 6         | 37AD--34014    | 3              | 支架<br>Bracket   |                     |                          |                    |
|           | Q1460830       | 3              | 六角头组合螺栓<br>Hexagon Head Combination Bolt  |                     |                          |                    |
| 7         | 50AY-07010     | 1              | 翻转器举升油缸总成 - 分体式<br>Tilt Device Lift Cylinder Assembly-Separated Type            |                     | 右驾系列<br>RHD Series       | 带附件<br>W/Accessory |

## 右驾驾驶室翻转器 / CAB TILT DEVICE FOR RHD

50-1

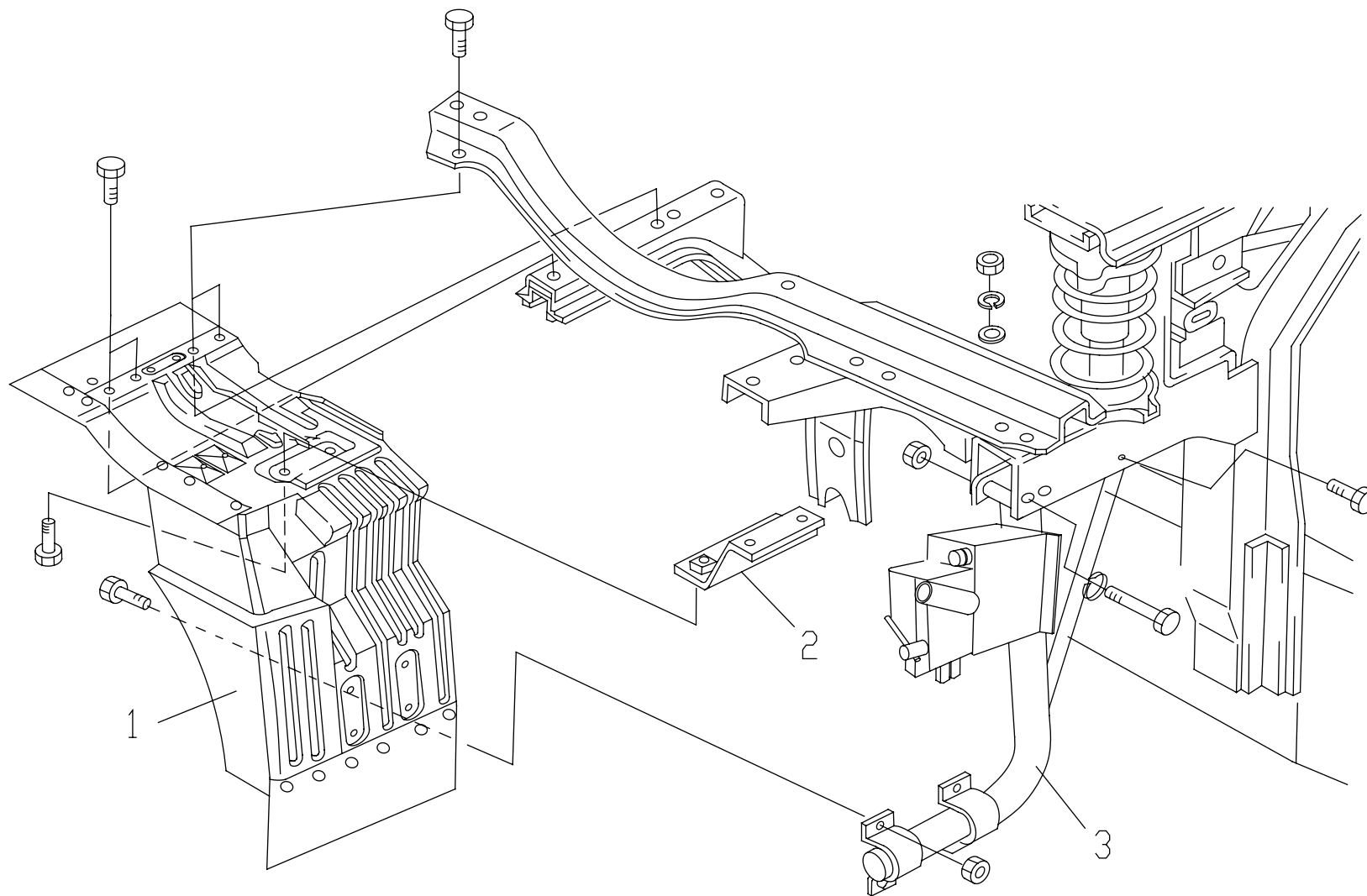




| 序号<br>No. | 件号<br>Part No. | 数量<br>Quantity | 名称<br>Name   | 规格<br>Specification | 适用产品<br>Products Applied | 备注<br>Remark                           |
|-----------|----------------|----------------|--|---------------------|--------------------------|--|
| 8         | 50A3D-07051    | 1              | 举升油缸下支座总成<br>Lift Cylinder Lower Abutment Assembly           |                     |                          | 中欧翻转器<br>Central Europe Tilt Device    |
|           | 50A3D-07055    | 1              | 举升油缸下支座总成<br>Lift Cylinder Lower Abutment Assembly           |                     |                          | 实用动力翻转器<br>Practical Power Tilt Device |
|           | Q151B1430      | 4              | 六角头螺栓<br>Hexagon Head Bolt                                   |                     |                          |  |
|           | Q40314         | 4              | 弹簧垫圈<br>Spring Washer  |                     |                          |  |
| 9         | 5004A-010      | 1              | 翻转锁止机构总成<br>Tilt Lock Mechanism Assembly                     |                     |                          |  |
|           | Q1461065       | 2              | 六角头组合螺栓<br>Hexagon Head Combination Bolt                     |                     |                          |  |
|           | Q32010         | 2              | 六角法兰面螺母<br>Hexagon Nut With Flange                           |                     |                          |  |
|           | Q40110         | 4              | 平垫圈<br>Plate Washer  |                     |                          |  |
| 10        | 50A-04012      | 1              | 翻转锁止机构塑料罩<br>Tilt Lock Mechanism Plastic Cover               |                     |                          |  |
|           | Q1840816       | 2              | 六角法兰面螺栓<br>Hexagon Bolt With Flange                          |                     |                          |  |
|           | Q32010         | 2              | 六角法兰面螺母<br>Hexagon Nut With Flange                           |                     |                          |  |
| 11        | 50A-07020      | 1              | 翻转锁止油管总成 - 分体式<br>Tilt Lock Oil Pipe Assembly-Separated Type |                     |                          |  |

## 轮罩 / WHEEL HOUSING

50-J



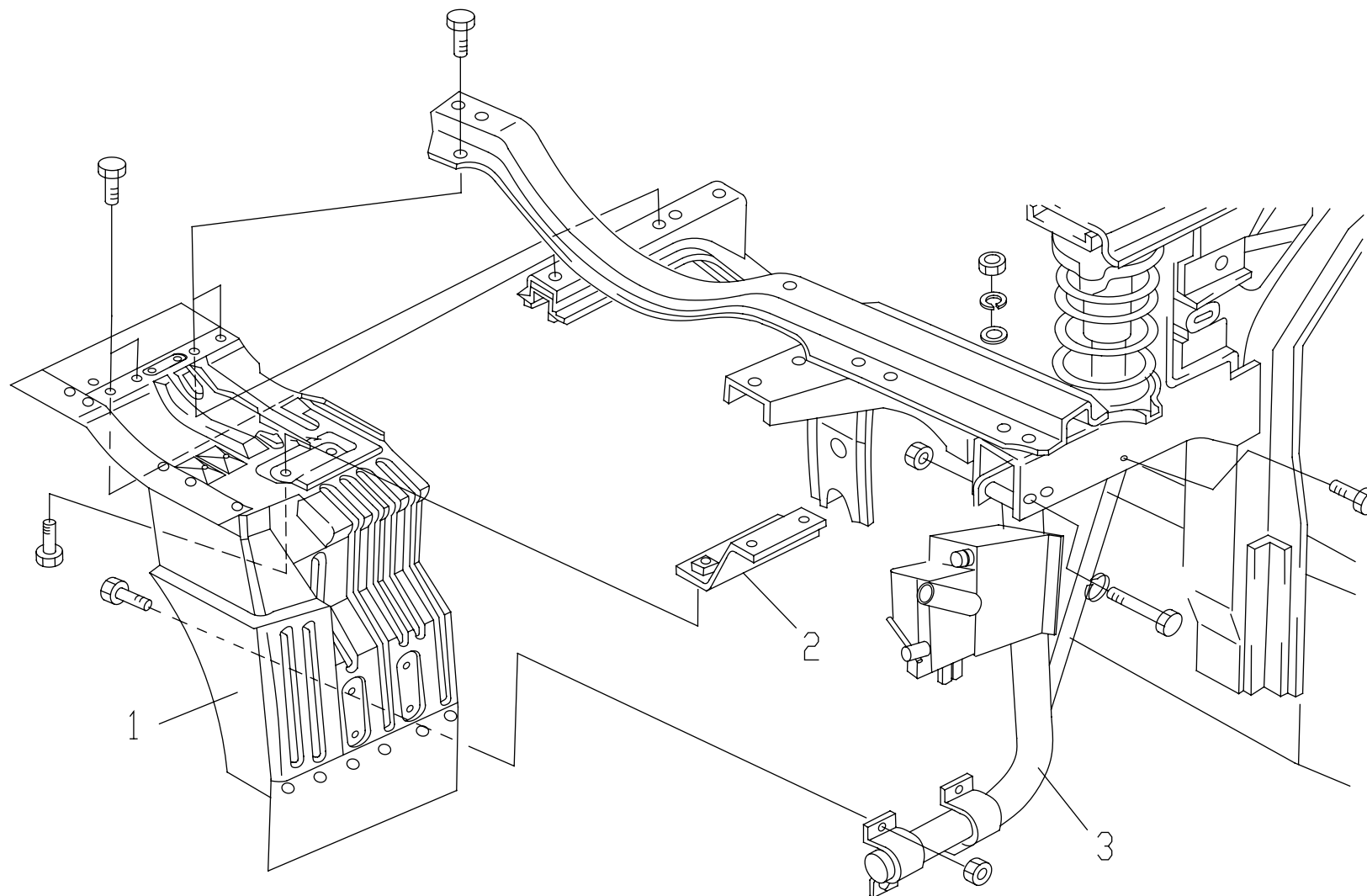
车身系统 / BODY SYSTEM

50-44

| 序号<br>No. | 件号<br>Part No. | 数量<br>Quantity | 名称<br>Name   | 规格<br>Specification | 适用产品<br>Products Applied  | 备注<br>Remark |
|-----------|----------------|----------------|--|---------------------|---------------------------|--------------|
| 1         | 50A-05060      | 1              | 左轮罩总成<br>Wheel Housing Assembly LH                   |                     |                           |              |
|           | 50A-05080      | 1              | 右轮罩总成<br>Wheel Housing Assembly RH                   |                     |                           |              |
|           | 50A5-05060     | 1              | 左轮罩总成<br>Wheel Housing Assembly LH                   |                     | 窄体系列<br>Narrow Cab Series |              |
|           | 50A5-05080     | 1              | 右轮罩总成<br>Wheel Housing Assembly RH                   |                     | 窄体系列<br>Narrow Cab Series |              |
|           | Q1460825       | 12             | 六角头组合螺栓<br>Hexagon Head Combination Bolt             |                     |                           |              |
|           | Q32008         | 8              | 六角法兰面螺母<br>Hexagon Nut With Flange                   |                     |                           |              |
|           | Q1461030       | 4              | 六角头组合螺栓<br>Hexagon Head Combination Bolt             |                     |                           |              |
|           | Q1461025       | 2              | 六角头组合螺栓<br>Hexagon Head Combination Bolt             |                     |                           |              |
|           | Q1461040       | 3              | 六角头组合螺栓<br>Hexagon Head Combination Bolt             |                     |                           |              |
| 2         | 50A3D-05049    | 1              | 左轮罩中安装支架<br>Wheel Housing Middle Mounting Bracket LH |                     |                           |              |
|           | 50A3D-05050    | 1              | 右轮罩中安装支架<br>Wheel Housing Middle Mounting Bracket RH |                     |                           |              |
|           | Q32008         | 4              | 六角法兰面螺母<br>Hexagon Nut With Flange                   |                     |                           |              |

## 轮罩 / WHEEL HOUSING

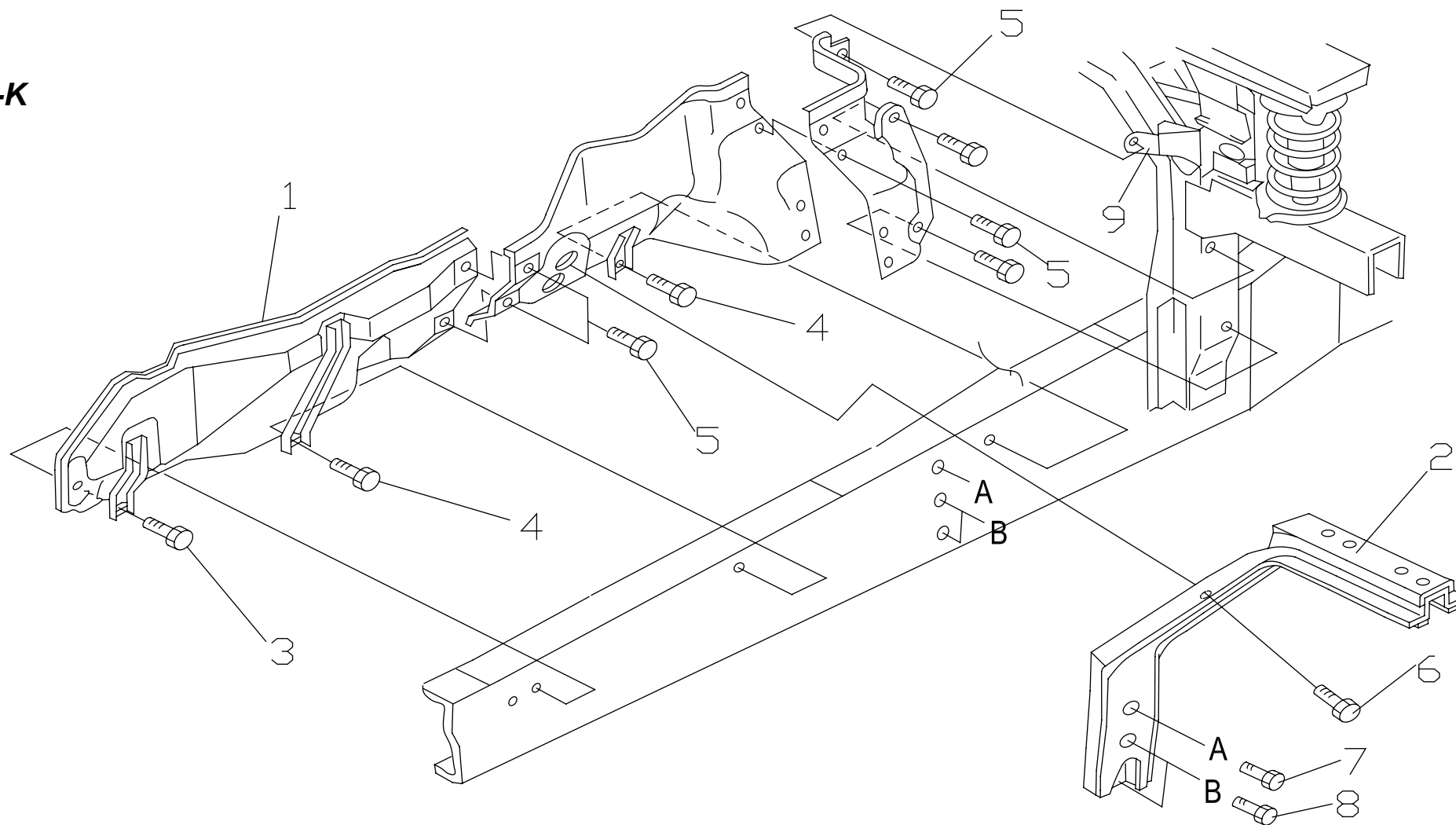
50-J



| 序号<br>No. | 件号<br>Part No. | 数量<br>Quantity | 名称<br>Name                               | 规格<br>Specification | 适用产品<br>Products Applied | 备注<br>Remark                         |
|-----------|----------------|----------------|--|---------------------|--------------------------|--------------------------------------|
| 3         | 50A3D-05045    | 1              | 左托架总成<br>Bracket Assembly LH             |                     |                          |                                      |
|           | 50A3D-05046    | 1              | 右托架总成<br>Bracket Assembly RH             |                     |                          |                                      |
|           | Q1460820       | 1              | 六角头组合螺栓<br>Hexagon Head Combination Bolt |                     |                          | 仅用于左总成<br>Only For Left<br>Assembly  |
|           | Q151B12110     | 2              | 六角头螺栓—细牙<br>Hexagon Head Bolt-Fine       |                     |                          | 仅用于左总成<br>Only For Left<br>Assembly  |
|           | Q151B12120     | 2              | 六角头螺栓—细牙<br>Hexagon Head Bolt-Fine       |                     |                          | 仅用于右总成<br>Only For Right<br>Assembly |
|           | Q40312         | 4              | 弹簧垫圈<br>Spring Washer                    |                     |                          |                                      |
|           | Q341B12        | 4              | I 型六角头螺母—细牙<br>Hexagon Full Nut-Fine     |                     |                          |                                      |
|           | Q40110         | 8              | 平垫圈<br>Plate Washer                      |                     |                          |                                      |
|           | Q40310         | 8              | 弹簧垫圈<br>Spring Washer                    |                     |                          |                                      |
|           | Q340B10        | 8              | I 型六角头螺母<br>Hexagon Full Nut             |                     |                          |                                      |

## 发动机护罩 / ENGINE PROTECTING COVER

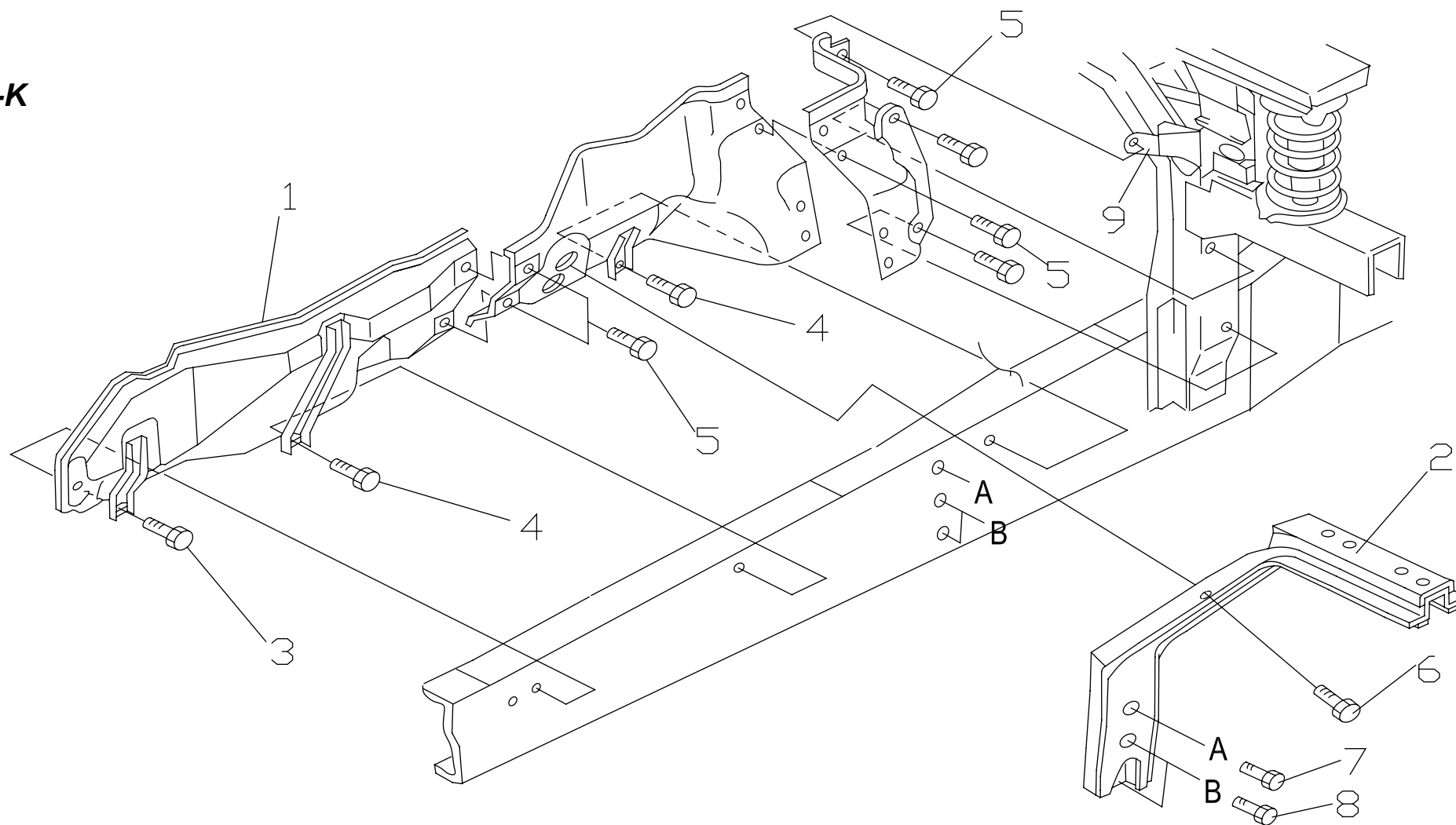
50-K



| 序号<br>No. | 件号<br>Part No.  | 数量<br>Quantity | 名称<br>Name   | 规格<br>Specification | 适用产品<br>Products Applied          | 备注<br>Remark                |
|-----------|-----------------|----------------|--|---------------------|-----------------------------------|-----------------------------|
| 1         | 50A4D-06109     | 1              | 左发动机护罩总成<br>Engine Protecting Cover Assembly LH    |                     | 康明斯系列发动机<br>CUMMINS Series Engine |                             |
|           | 50A-06109       | 1              | 左发动机护罩总成<br>Engine Protecting Cover Assembly LH    |                     | 斯太尔系列发动机<br>STEYR Series Engine   |                             |
|           | 50A3D-06110     | 1              | 右发动机护罩总成<br>Engine Protecting Cover Assembly RH    |                     |                                   |                             |
|           | 50AK20DZ5-06109 | 1              | 左发动机护罩总成<br>Engine Protecting Cover Assembly LH    |                     | 976 车架系列<br>976 Frame Series      |                             |
|           | 50AK20DZ5-06110 | 1              | 右发动机护罩总成<br>Engine Protecting Cover Assembly RH    |                     | 976 车架系列<br>976 Frame Series      |                             |
| 2         | 50A3D-05055     | 2              | 轮罩前支撑架总成<br>Wheel Housing Front Bracket Assembly   |                     |                                   |                             |
| 3         | Q1461025        | 2              | 六角头组合螺栓<br>Hexagon Head Combination Bolt           |                     |                                   |                             |
| 4         | Q1460830        | 4              | 六角头组合螺栓<br>Hexagon Head Combination Bolt           |                     |                                   |                             |
| 5         | Q1460820        | 17             | 六角头组合螺栓<br>Hexagon Head Combination Bolt           |                     |                                   |                             |
| 6         | Q1460830        | 1              | 六角头组合螺栓<br>Hexagon Head Combination Bolt           |                     |                                   | 仅用于左侧<br>Only For Left Side |
| 7         | Q1461245        | 4              | 六角头组合螺栓<br>Hexagon Head Combination Bolt           |                     |                                   |                             |
| 8         | Q151B1440       | 2              | 六角头组合螺栓 - 细牙<br>Hexagon Head Combination Bolt-Fine |                     |                                   |                             |
|           | Q40114          | 2              | 平垫圈<br>Plate Washer                                |                     |                                   |                             |
|           | Q40314          | 2              | 弹簧垫圈<br>Spring Washer                              |                     |                                   |                             |

## 发动机护罩 / ENGINE PROTECTING COVER

50-K





车身系统 / BODY SYSTEM

50-50

| 序号<br>No. | 件号<br>Part No. | 数量<br>Quantity | 名称<br>Name   | 规格<br>Specification | 适用产品<br>Products Applied | 备注<br>Remark |
|-----------|----------------|----------------|--|---------------------|--------------------------|--------------|
| 9         | 50A3D-06115    | 1              | 左上支架总成 - 发动机护罩<br>Upper Bracket Assembly LH-Engine Protecting Cover              |                     |                          |              |
|           | 50A3D-06119    | 1              | 右上连接支架总成 - 发动机护罩<br>Upper Connecting Bracket Assembly RH-Engine Protecting Cover |                     |                          |              |



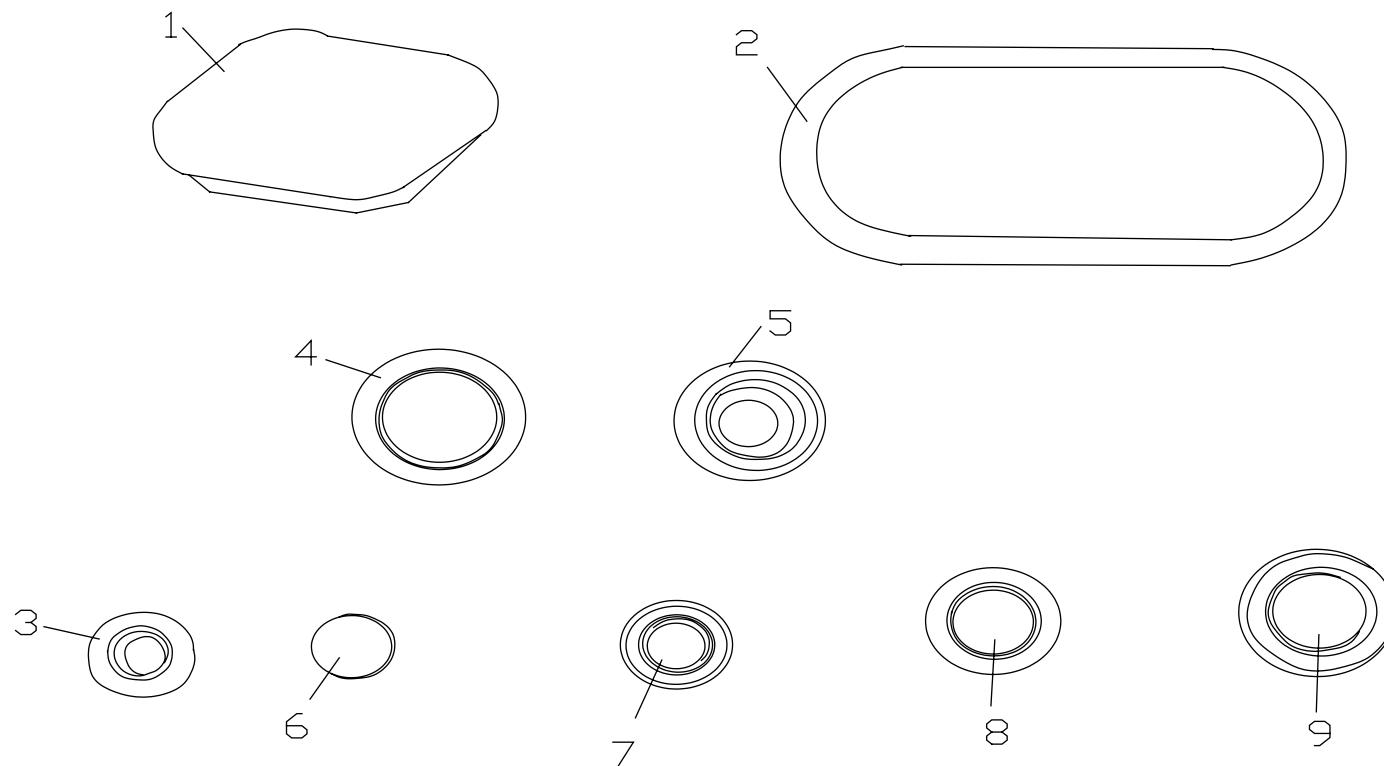
51

**车身地板系统**

***BODY FLOOR SYSTEM***

## 地板堵盖系列 / FLOOR BLOCK COVER SERIES

## 51-A



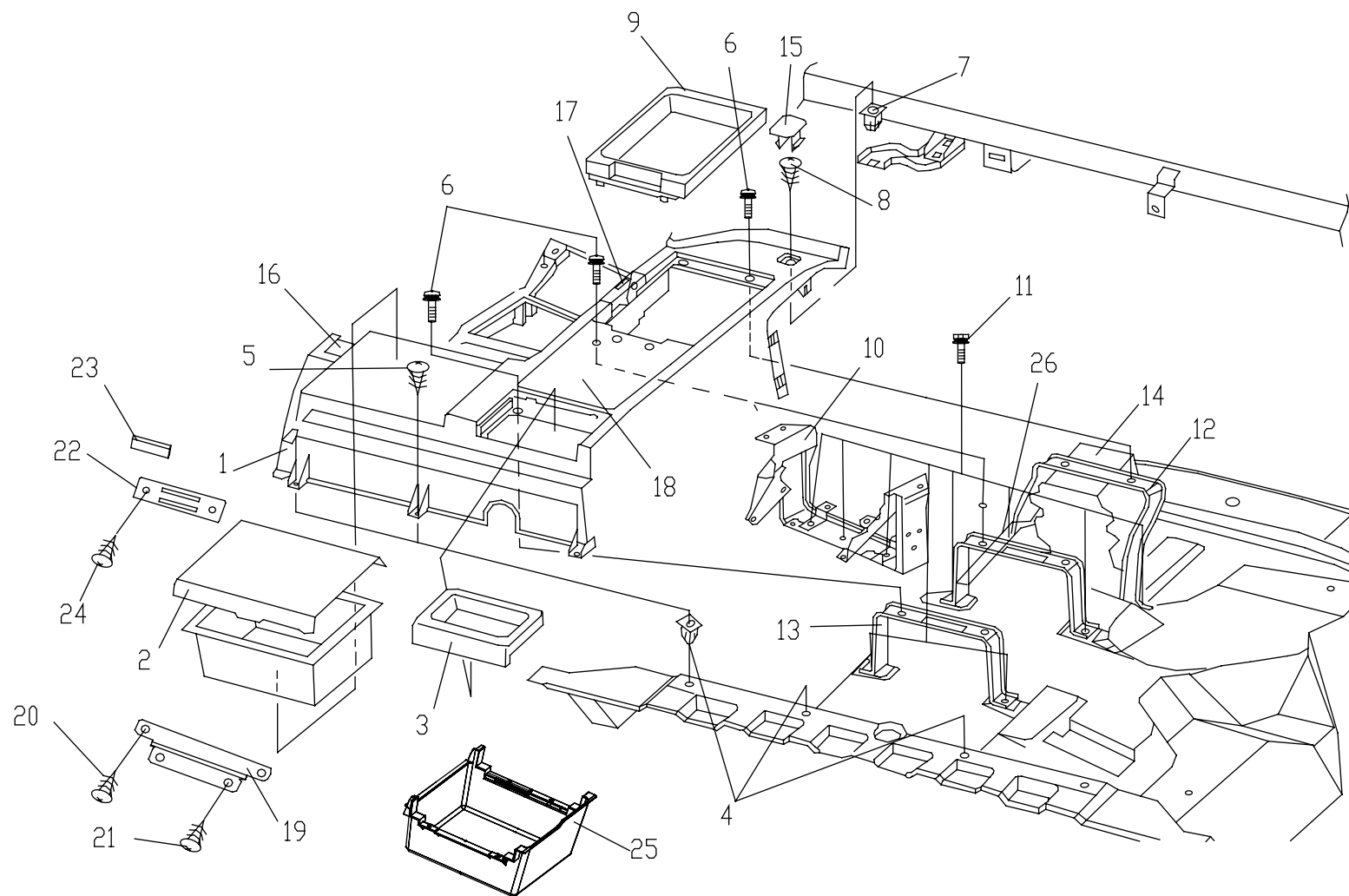
车身地板系统 / BODY FLOOR SYSTEM

51-2

| 序号<br>No. | 件号<br>Part No. | 数量<br>Quantity | 名称<br>Name   | 规格<br>Specification | 适用产品<br>Products Applied | 备注<br>Remark |
|-----------|----------------|----------------|--|---------------------|--------------------------|--------------|
| 1         | 51A-10009      | 1              | 橡胶堵塞<br>Rubber Plug  |                     |                          |              |
| 2         | 51A-10008      | 1              | 塑料堵盖 D- 后地板<br>Plastic Block Cover D-Rear Floor                |                     |                          |              |
| 3         | 51A-10010      | 1              | 橡胶圈 - 翻转油管过孔护<br>Rubber Washer-Tilt Oil Pipe Protective Washer |                     |                          |              |
| 4         | 51A-10002      | 1              | 大橡胶堵盖 - 鼓包<br>Big Rubber Block Cover-Block                     |                     |                          |              |
| 5         | 51A-10007      | 1              | 橡胶圈 - 空调滴水管<br>Rubber Washer-Air Condition Dribble Tube        |                     |                          |              |
| 6         | 51A-10005      | 1              | 小橡胶堵盖 - 鼓包<br>Small Rubber Block Cover-Block                   |                     |                          |              |
| 7         | 51A-10006      | 6              | 橡胶堵盖 - 地板<br>Rubber Block Cover-Floor                          |                     |                          |              |
| 8         | 53A-01379      | 2              | 橡胶堵盖 - 前围挡板<br>Rubber Block Cover-Cowl Panel                   |                     |                          |              |
| 9         | 51A-10003      | 1              | 橡胶堵盖 - 鼓包<br>Rubber Block Cover-Block                          |                     |                          |              |

## 后置物盒 / REAR STORAGE BOX

51-B



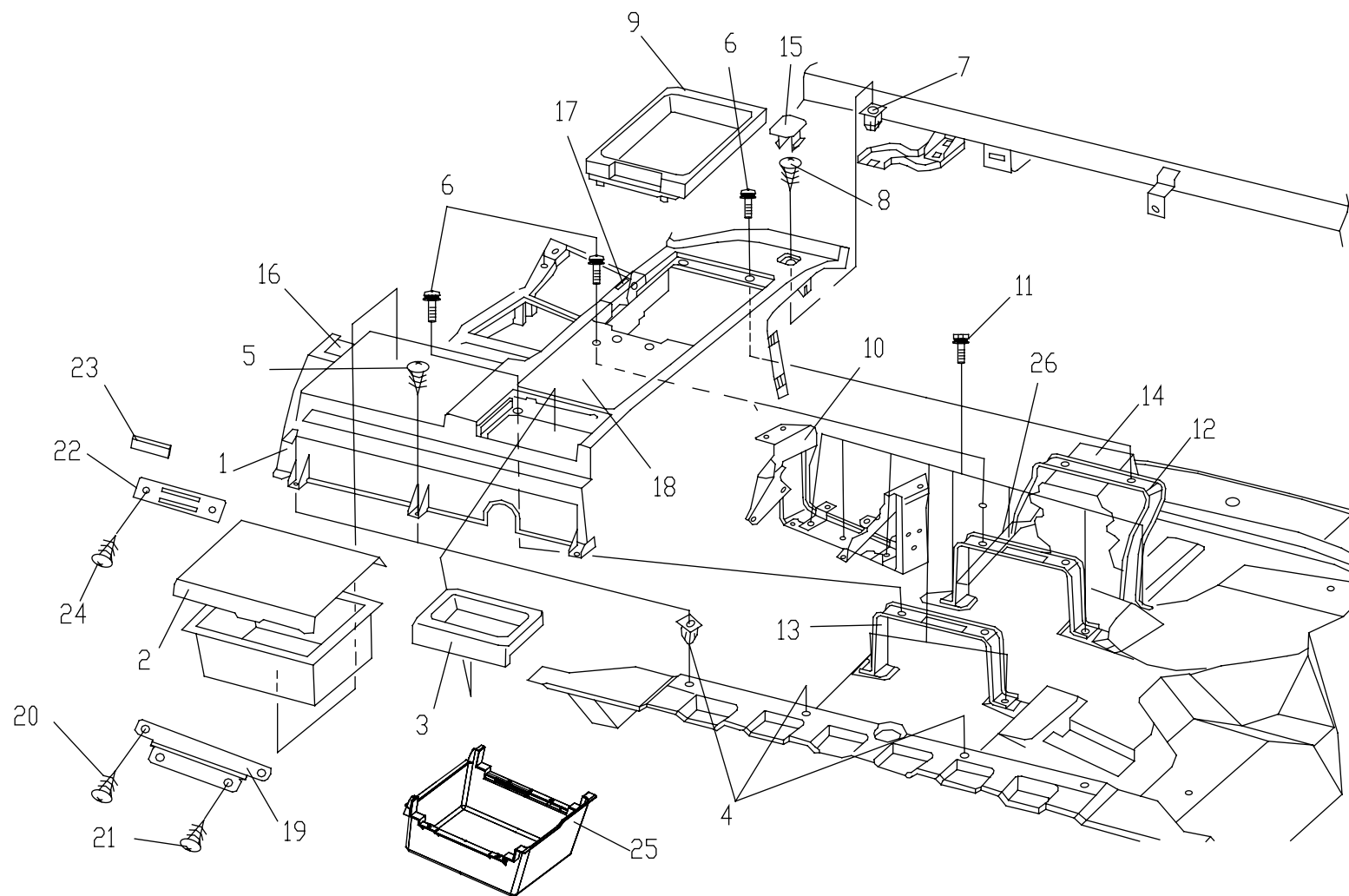
车身地板系统 / BODY FLOOR SYSTEM

51-4

| 序号<br>No. | 件号<br>Part No. | 数量<br>Quantity | 名称<br>Name   | 规格<br>Specification | 适用产品<br>Products Applied | 备注<br>Remark |
|-----------|----------------|----------------|--|---------------------|--------------------------|--------------|
| 1         | 51A-03011      | 1              | 后置物盒本体<br>Rear Storage Box Body  |                     |                          |              |
| 2         | 51A-03017      | 1              | 行车记录仪上盖<br>Tachograph Upper Cover  |                     |                          |              |
| 3         | 51A-03022      | 1              | 硬币盒<br>Coin Box  |                     |                          |              |
| 4         | 51A-03012      | 3              | 圆型塑料螺母 F<br>Round Plastic Nut F  |                     |                          |              |
| 5         | Q2735516       | 3              | 十字槽大半圆头自攻螺钉<br>Cross Recessed Cup Head Self-Tapping Screw<br>With Large Head |                     |                          |              |
| 6         | Q2360625       | 6              | 十字槽组合螺栓<br>Cross Recessed Combination Bolt                                   |                     |                          |              |
| 7         | 53A-01323      | 1              | 方型塑料螺母 C<br>Square Plastic Nut C   |                     |                          |              |
| 8         | Q2734816       | 1              | 十字槽大半圆头自攻螺钉<br>Cross Recessed Cup Head Self-Tapping Screw<br>With Large Head |                     |                          |              |
| 9         | 51A-03026      | 1              | 地图盒<br>Map Holder  |                     |                          |              |
| 10        | 51A-01340      | 1              | 保险丝盒固定支架总成<br>Fuse Box Holding Bracket Assembly                              |                     |                          |              |
| 11        | Q1460820       | 9              | 六角头组合螺栓<br>Hexagon Head Combination Bolt                                     |                     |                          |              |
| 12        | 51A-01330      | 1              | 继电器盒前支架总成<br>Relay Box Front Bracket Assembly                                |                     |                          |              |
| 13        | 51A-01337      | 2              | 后置物盒后支架总成<br>Rear Storage Box Bracket Assembly                               |                     |                          |              |
| 14        | 51A-01325      | 1              | 控制器支架总成<br>Controller Bracket Assembly                                       |                     |                          |              |

## 后置物盒 / REAR STORAGE BOX

51-B





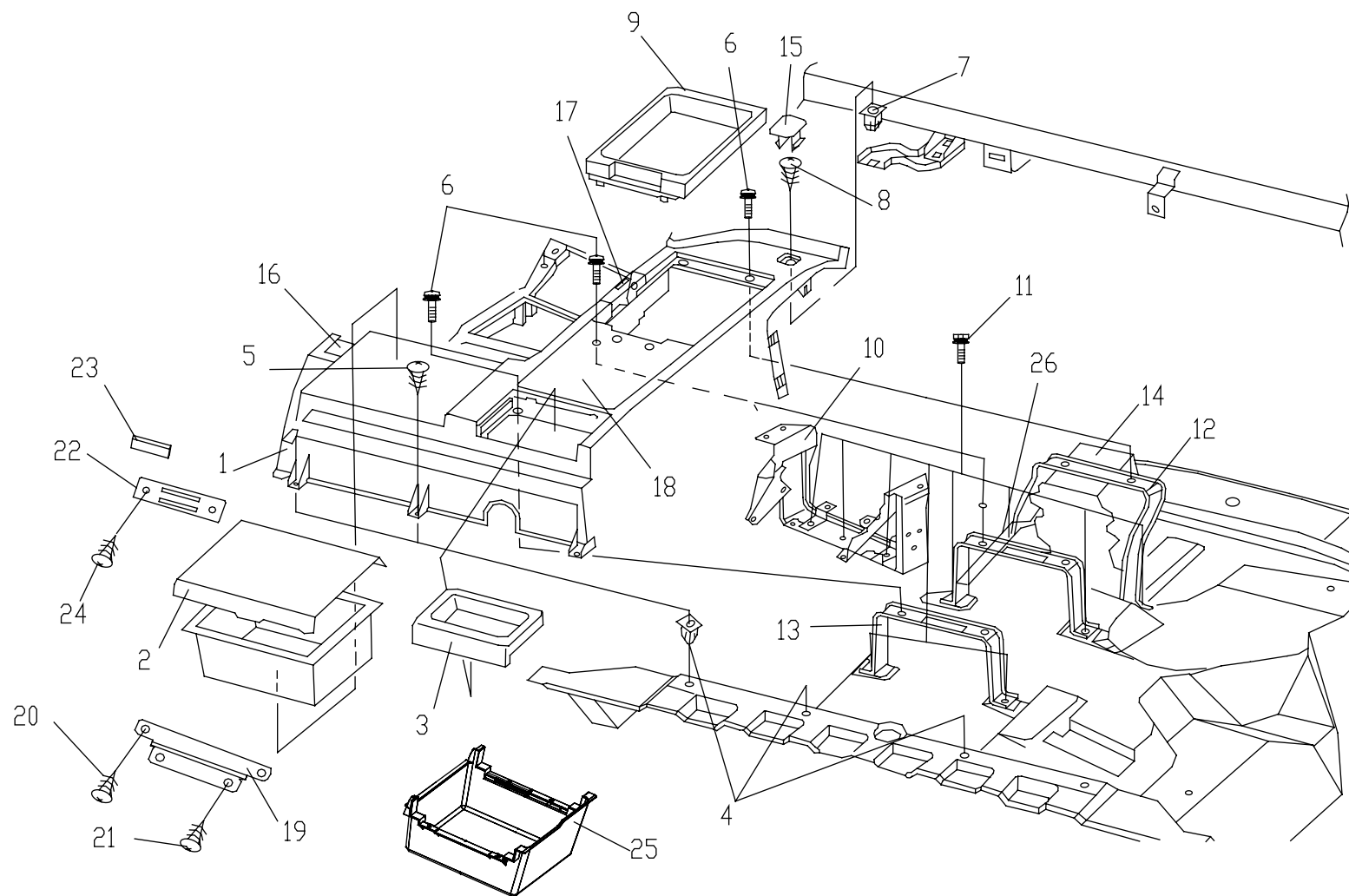
车身地板系统 / BODY FLOOR SYSTEM

51-6

| 序号<br>No. | 件号<br>Part No. | 数量<br>Quantity | 名称<br>Name   | 规格<br>Specification | 适用产品<br>Products Applied | 备注<br>Remark |
|-----------|----------------|----------------|--|---------------------|--------------------------|--------------|
| 15        | 51A-03045      | 1              | 堵盖<br>Block Cover  |                     |                          |              |
| 16        | 51A-03027      | 1              | 盖板<br>Cover Panel  |                     |                          |              |
| 17        | 51A-03016      | 2              | 置杯架总成<br>Cup Holder Assembly   |                     |                          |              |
| 18        | 51A-03035      | 2              | 置物盒上盖总成<br>Storage Box Upper Cover Assembly                                  |                     |                          |              |
| 19        | 51A-03018      | 2              | 铰链总成<br>Hinge Assembly   |                     |                          |              |
| 20        | Q2744213       | 4              | 十字槽大半圆头自攻螺钉<br>Cross Recessed Cup Head Self-Tapping Screw<br>With Large Head |                     |                          |              |
| 21        | Q2733513       | 4              | 十字槽大半圆头自攻螺钉<br>Cross Recessed Cup Head Self-Tapping Screw<br>With Large Head |                     |                          |              |
| 22        | 51A-03031      | 2              | 磁铁片<br>Magnet Plate  |                     |                          |              |
| 23        | 51A-03019      | 1              | 磁铁座总成<br>Magnet Seat Assembly  |                     |                          |              |
| 24        | Q2741995       | 2              | 十字槽沉头自攻螺钉<br>Cross Recessed Countersunk Head Self-Tapping<br>Screw           |                     |                          | (1.9×9.5)    |
| 25        | 51A-03021      | 1              | 置物盒<br>Storage Box   |                     |                          |              |
| 26        | 51A-01321      | 1              | 后置物盒左侧支架总成<br>Rear Storage Box Bracket Assembly LH                           |                     |                          |              |
|           | 51A-01323      | 1              | 后置物盒右侧支架总成<br>Rear Storage Box Bracket Assembly RH                           |                     |                          |              |
|           | Q1460616       | 2              | 六角头组合螺栓<br>Hexagon Head Combination Bolt                                     |                     |                          |              |

## 后置物盒 / REAR STORAGE BOX

51-B



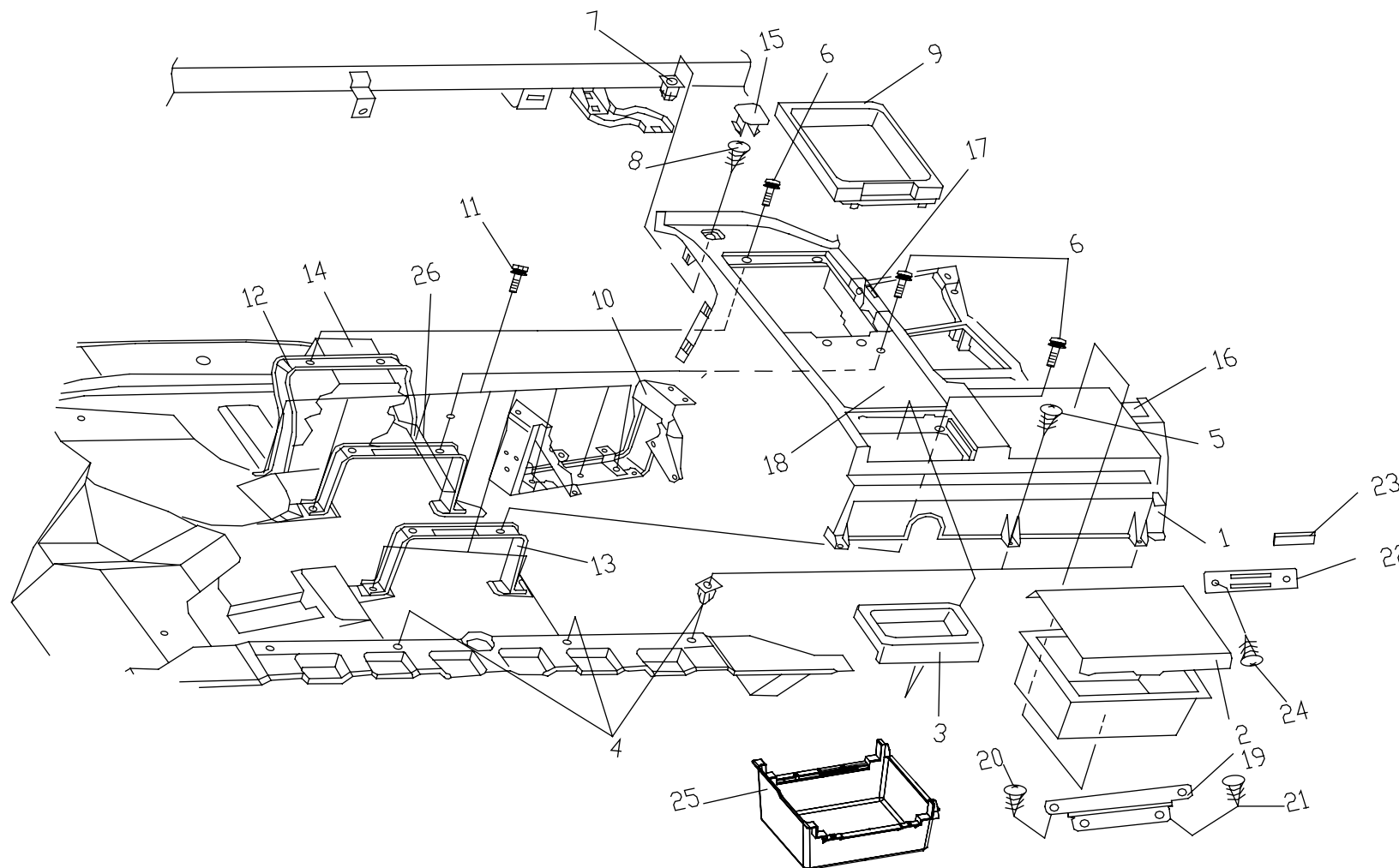
车身地板系统 / BODY FLOOR SYSTEM

51-8

| 序号<br>No. | 件号<br>Part No. | 数量<br>Quantity | 名称<br>Name                | 规格<br>Specification | 适用产品<br>Products Applied | 备注<br>Remark |
|-----------|----------------|----------------|---------------------------|---------------------|--------------------------|--------------|
| 26        | Q340B06        | 2              | 六角头螺母<br>Hexagon Head Nut |                     |                          |              |

## 右驾后置物盒 / REAR STORAGE BOX FOR RHD

51-C



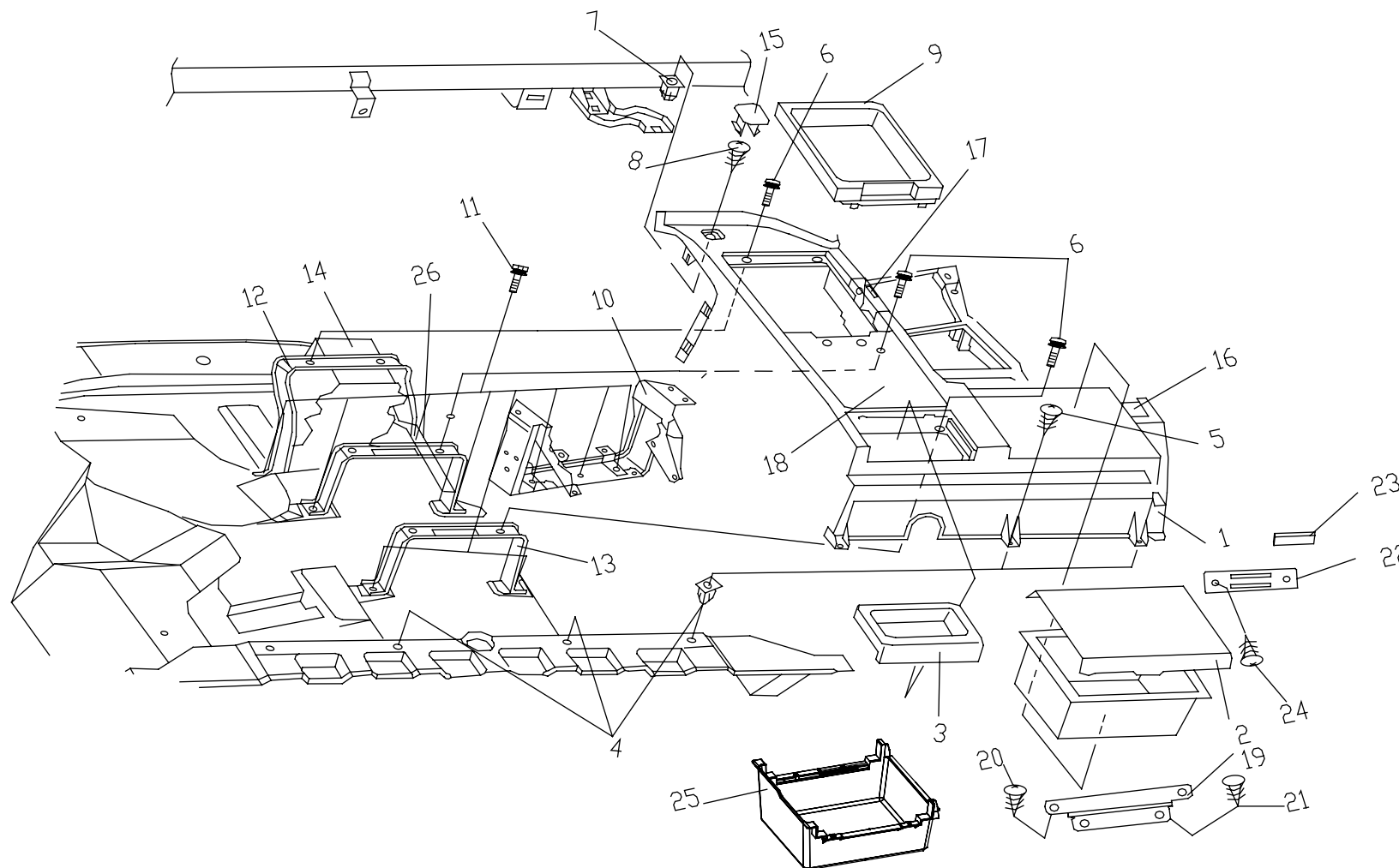
车身地板系统 / BODY FLOOR SYSTEM

51-10

| 序号<br>No. | 件号<br>Part No. | 数量<br>Quantity | 名称<br>Name   | 规格<br>Specification | 适用产品<br>Products Applied | 备注<br>Remark |
|-----------|----------------|----------------|--|---------------------|--------------------------|--------------|
| 1         | 51AY-03011     | 1              | 后置物盒本体<br>Rear Storage Box Body  |                     | 右驾系列<br>RHD Series       |              |
| 2         | 51AY-03017     | 1              | 行车记录仪上盖<br>Tachograph Upper Cover  |                     | 右驾系列<br>RHD Series       |              |
| 3         | 51A-03022      | 1              | 硬币盒<br>Coin Box  |                     |                          |              |
| 4         | 51A-03012      | 3              | 圆型塑料螺母 F<br>Round Plastic Nut F  |                     |                          |              |
| 5         | Q2735516       | 3              | 十字槽大半圆头自攻螺钉<br>Cross Recessed Cup Head Self-Tapping Screw<br>With Large Head |                     |                          |              |
| 6         | Q2360625       | 6              | 十字槽组合螺栓<br>Cross Recessed Combination Bolt                                   |                     |                          |              |
| 7         | 53A-01323      | 1              | 方型塑料螺母 C<br>Square Plastic Nut C   |                     |                          |              |
| 8         | Q2734816       | 1              | 十字槽大半圆头自攻螺钉<br>Cross Recessed Cup Head Self-Tapping Screw<br>With Large Head |                     |                          |              |
| 9         | 51A-03026      | 1              | 地图盒<br>Map Holder  |                     |                          |              |
| 10        | 51AY-01340     | 1              | 保险丝盒固定支架总成<br>Fuse Box Holding Bracket Assembly                              |                     | 右驾系列<br>RHD Series       |              |
| 11        | Q1460820       | 9              | 六角头组合螺栓<br>Hexagon Head Combination Bolt                                     |                     |                          |              |
| 12        | 51A-01330      | 1              | 继电器盒前支架总成<br>Relay Box Front Bracket Assembly                                |                     |                          |              |
| 13        | 51AY01337      | 2              | 后置物盒后支架总成<br>Rear Storage Box Rear Bracket Assembly                          |                     | 右驾系列<br>RHD Series       |              |

## 右驾后置物盒 / REAR STORAGE BOX FOR RHD

51-C



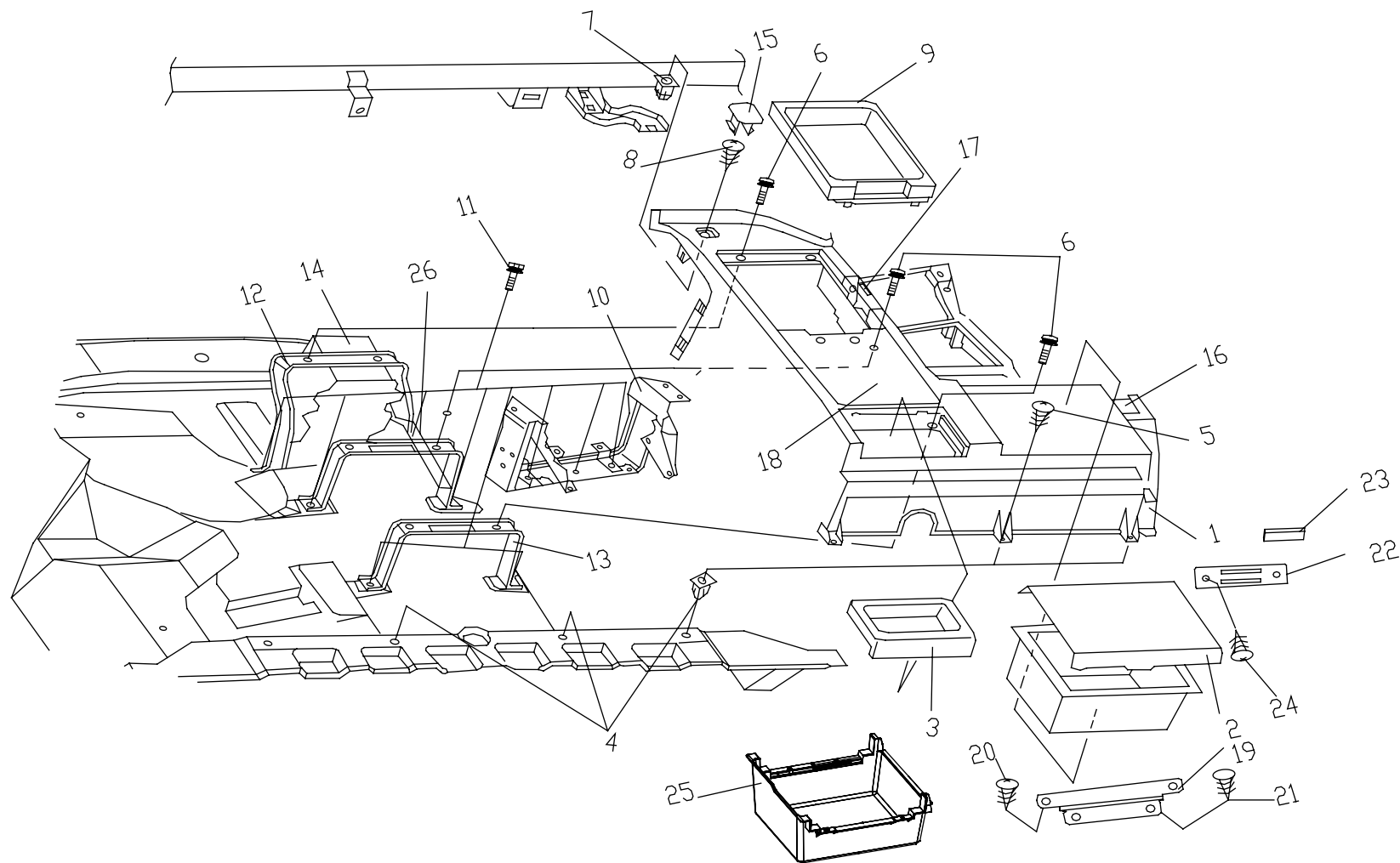
车身地板系统 / BODY FLOOR SYSTEM

51-12

| 序号<br>No. | 件号<br>Part No. | 数量<br>Quantity | 名称<br>Name   | 规格<br>Specification | 适用产品<br>Products Applied | 备注<br>Remark |
|-----------|----------------|----------------|--|---------------------|--------------------------|--------------|
| 14        | 51A-01325      | 1              | 控制器支架总成<br>Controller Bracket Assembly                                       |                     |                          |              |
| 15        | 51A-03045      | 1              | 堵盖<br>Block Cover  |                     |                          |              |
| 16        | 51A-03027      | 1              | 盖板<br>Cover Panel  |                     |                          |              |
| 17        | 51AY-03016     | 1              | 置杯架总成<br>Cup Holder Assembly   |                     | 右驾系列<br>RHD Series       |              |
| 18        | 51AY-03035     | 1              | 置物盒上盖总成<br>Storage Box Upper Cover Assembly                                  |                     | 右驾系列<br>RHD Series       |              |
| 19        | 51A-03018      | 2              | 铰链总成<br>Hinge Assembly   |                     |                          |              |
| 20        | Q2744213       | 4              | 十字槽大半圆头自攻螺钉<br>Cross Recessed Cup Head Self-Tapping Screw<br>With Large Head |                     |                          |              |
| 21        | Q2733513       | 4              | 十字槽大半圆头自攻螺钉<br>Cross Recessed Cup Head Self-Tapping Screw<br>With Large Head |                     |                          |              |
| 22        | 51A-03031      | 2              | 磁铁片<br>Magnet Plate  |                     |                          |              |
| 23        | 51A-03019      | 1              | 磁铁座总成<br>Magnet Seat Assembly  |                     |                          |              |
| 24        | Q2741995       | 2              | 十字槽沉头自攻螺钉<br>Cross Recessed Countersunk Head Self-Tapping<br>Screw           |                     |                          | (1.9×9.5)    |
| 25        | 51A-03021      | 1              | 置物盒<br>Storage Box   |                     |                          |              |

## 右驾后置物盒 / REAR STORAGE BOX FOR RHD

51-C





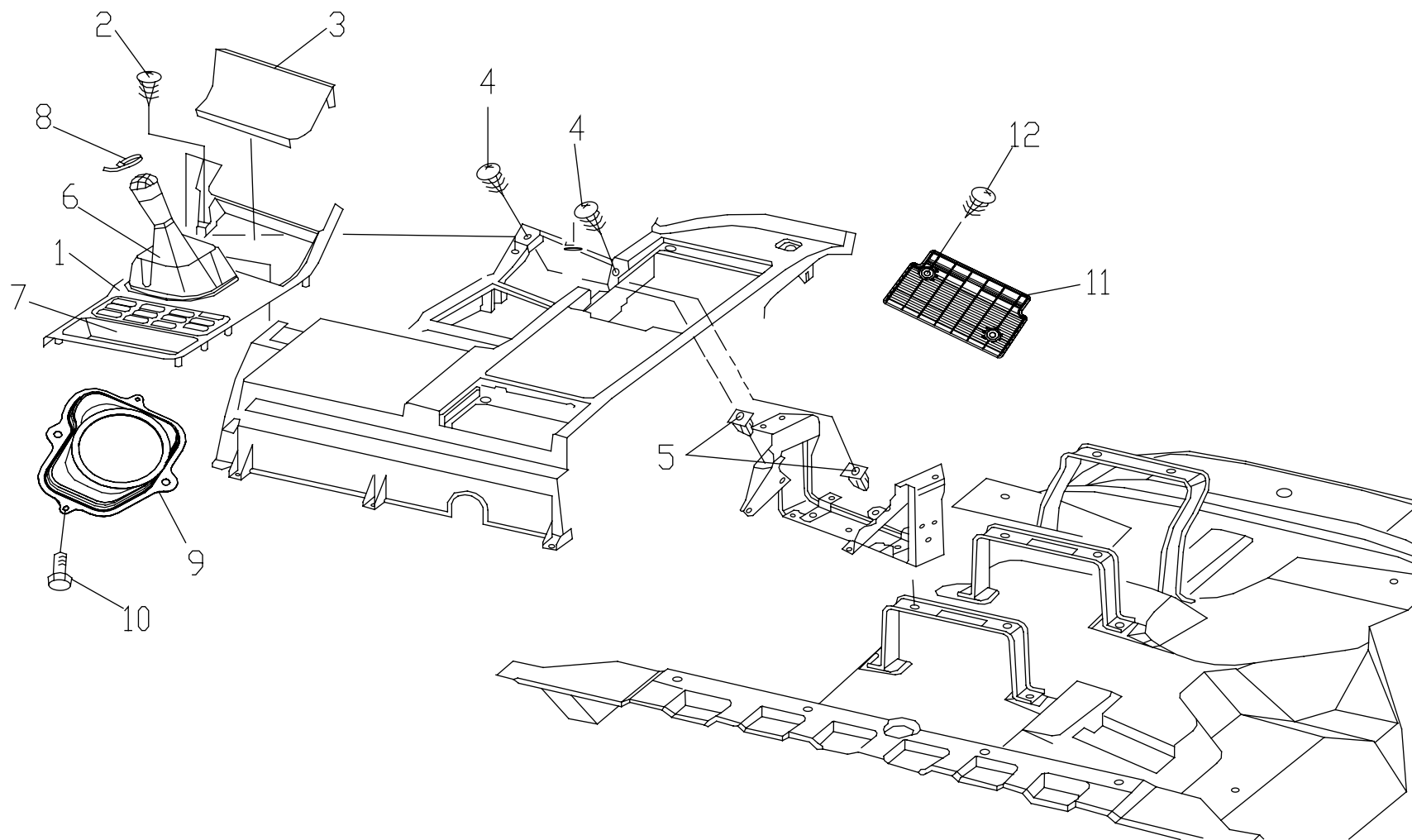
车身地板系统 / BODY FLOOR SYSTEM

51-14

| 序号<br>No. | 件号<br>Part No. | 数量<br>Quantity | 名称<br>Name   | 规格<br>Specification | 适用产品<br>Products Applied | 备注<br>Remark |
|-----------|----------------|----------------|--|---------------------|--------------------------|--------------|
| 26        | 51A-01321      | 1              | 后置物盒左侧支架总成<br>Rear Storage Box Bracket Assembly LH |                     |                          |              |
|           | 51A-01323      | 1              | 后置物盒右侧支架总成<br>Rear Storage Box Bracket Assembly RH |                     |                          |              |
|           | Q1460616       | 2              | 六角头组合螺栓<br>Hexagon Head Combination Bolt           |                     |                          |              |
|           | Q340B06        | 2              | 六角头螺母<br>Hexagon Head Nut                          |                     |                          |              |

## 排档罩 / SHIFT COVER

51-D



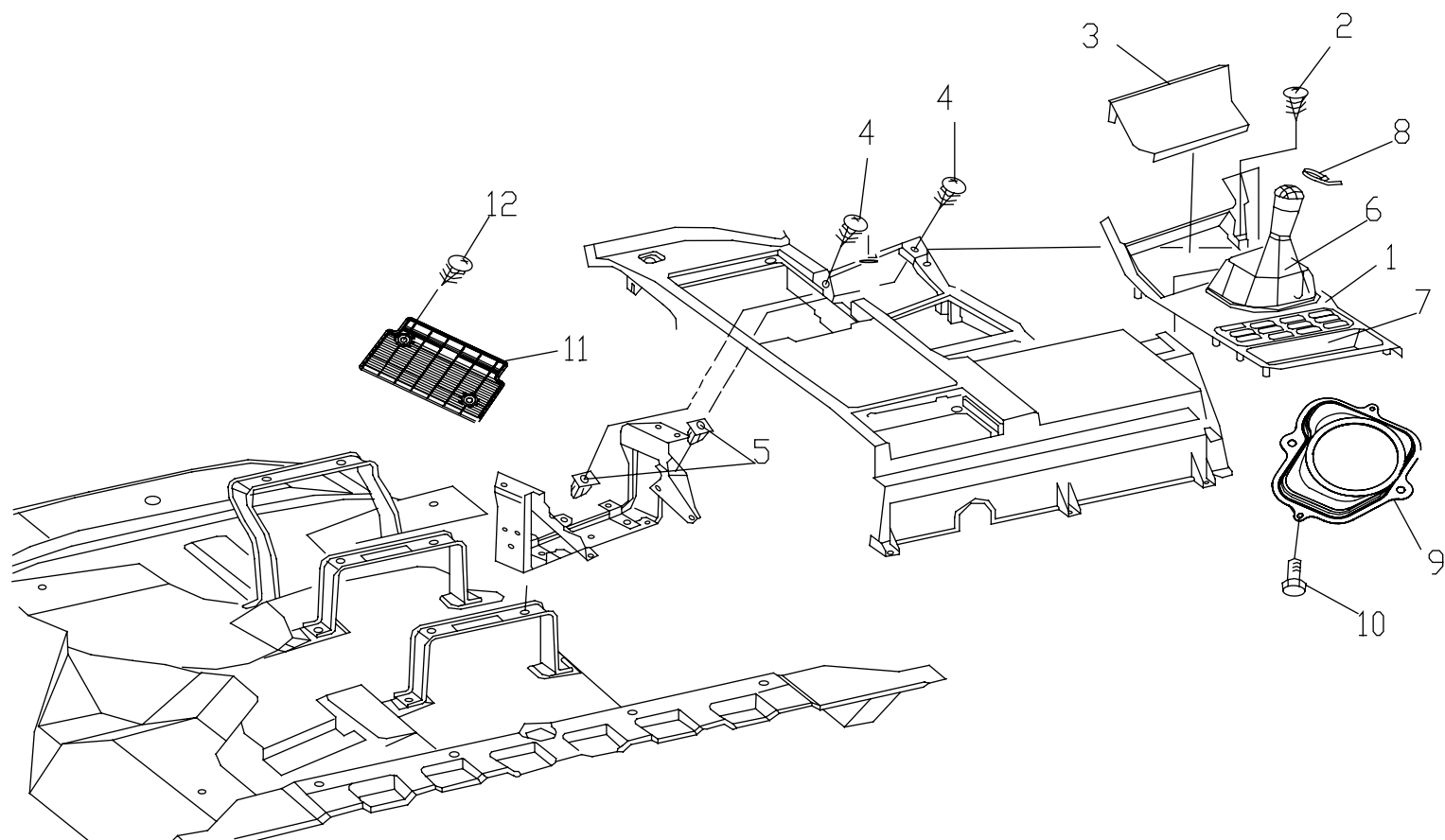
车身地板系统 / BODY FLOOR SYSTEM

51-16

| 序号<br>No. | 件号<br>Part No. | 数量<br>Quantity | 名称<br>Name   | 规格<br>Specification | 适用产品<br>Products Applied | 备注<br>Remark |
|-----------|----------------|----------------|--|---------------------|--------------------------|--------------|
| 1         | 51A-03051      | 1              | 排档罩本体<br>Shift Cover Body  |                     |                          |              |
| 2         | Q2734816       | 1              | 十字槽大半圆头自攻螺钉<br>Cross Recessed Cup Head Self-Tapping Screw<br>With Large Head |                     |                          |              |
| 3         | 51A-03052      | 1              | 排档罩保险丝上盖<br>Shift Cover Fuse Upper Cover                                     |                     |                          |              |
| 4         | Q2734816       | 2              | 十字槽大半圆头自攻螺钉<br>Cross Recessed Cup Head Self-Tapping Screw<br>With Large Head |                     |                          |              |
| 5         | 53A-01323      | 1              | 方型塑料螺母 C<br>Square Plastic Nut C   |                     |                          |              |
| 6         | 51A-03058      | 1              | 排档罩皮套总成<br>Shift Cover Leather Cover Assembly                                |                     |                          |              |
| 7         | 51A-03053      | 1              | 排档罩硬币盒<br>Shift Cover Coin Box   |                     |                          |              |
| 8         | Q67405100      | 1              | 塑料紧箍带<br>Plastic Fastening Band  |                     |                          |              |
| 9         | 51A-03059      | 1              | 排档杆塑料护圈<br>Shift Lever Plastic Retainer                                      |                     |                          |              |
| 10        | Q1460616       | 2              | 六角头组合螺栓<br>Hexagon Head Combination Bolt                                     |                     |                          |              |
| 11        | 51A-05067      | 1              | 搁脚板<br>Toe Board   |                     |                          |              |
| 12        | Q2734816       | 2              | 十字槽大半圆头自攻螺钉<br>Cross Recessed Cup Head Self-Tapping Screw<br>With Large Head |                     |                          | 黑色<br>Black  |

## 右驾排档罩 / SHIFT COVER FOR RHD

51-E



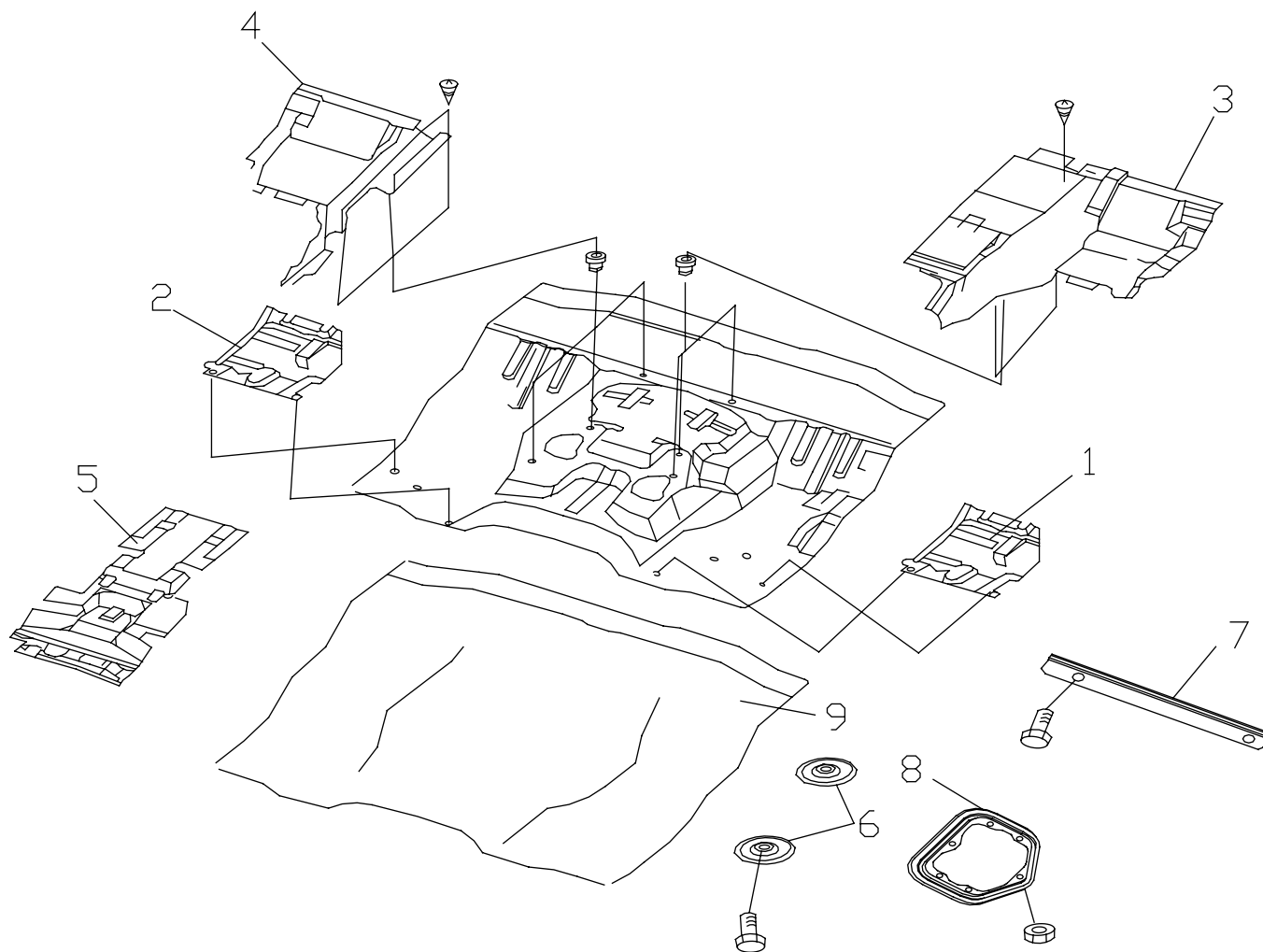
车身地板系统 / BODY FLOOR SYSTEM

51-18

| 序号<br>No. | 件号<br>Part No. | 数量<br>Quantity | 名称<br>Name   | 规格<br>Specification | 适用产品<br>Products Applied | 备注<br>Remark |
|-----------|----------------|----------------|--|---------------------|--------------------------|--------------|
| 1         | 51AY-03051     | 1              | 排档罩本体<br>Shift Cover Body  |                     | 右驾系列<br>RHD Series       |              |
| 2         | Q2734816       | 1              | 十字槽大半圆头自攻螺钉<br>Cross Recessed Cup Head Self-Tapping Screw<br>With Large Head |                     |                          |              |
| 3         | 51AY-03052     | 1              | 排档罩保险丝上盖<br>Shift Cover Fuse Upper Cover                                     |                     | 右驾系列<br>RHD Series       |              |
| 4         | Q2734816       | 2              | 十字槽大半圆头自攻螺钉<br>Cross Recessed Cup Head Self-Tapping Screw<br>With Large Head |                     |                          |              |
| 5         | 53A-01323      | 1              | 方型塑料螺母 C<br>Square Plastic Nut C   |                     |                          |              |
| 6         | 51A-03058      | 1              | 排档罩皮套总成<br>Shift Cover Leather Cover Assembly                                |                     |                          |              |
| 7         | 51A-03053      | 1              | 排档罩硬币盒<br>Shift Cover Coin Box   |                     |                          |              |
| 8         | Q67405100      | 1              | 塑料紧箍带<br>Plastic Fastening Band  |                     |                          |              |
| 9         | 51A-03059      | 1              | 排档杆塑料护圈<br>Shift Lever Plastic Retainer                                      |                     |                          |              |
| 10        | Q1460616       | 2              | 六角头组合螺栓<br>Hexagon Head Combination Bolt                                     |                     |                          |              |
| 11        | 51A-05067      | 1              | 搁脚板<br>Toe Board   |                     |                          |              |
| 12        | Q2734816       | 2              | 十字槽大半圆头自攻螺钉<br>Cross Recessed Cup Head Self-Tapping Screw<br>With Large Head |                     |                          | 黑色<br>Black  |

## 驾驶室地毯 / CAB FLOOR CARPET

51-F



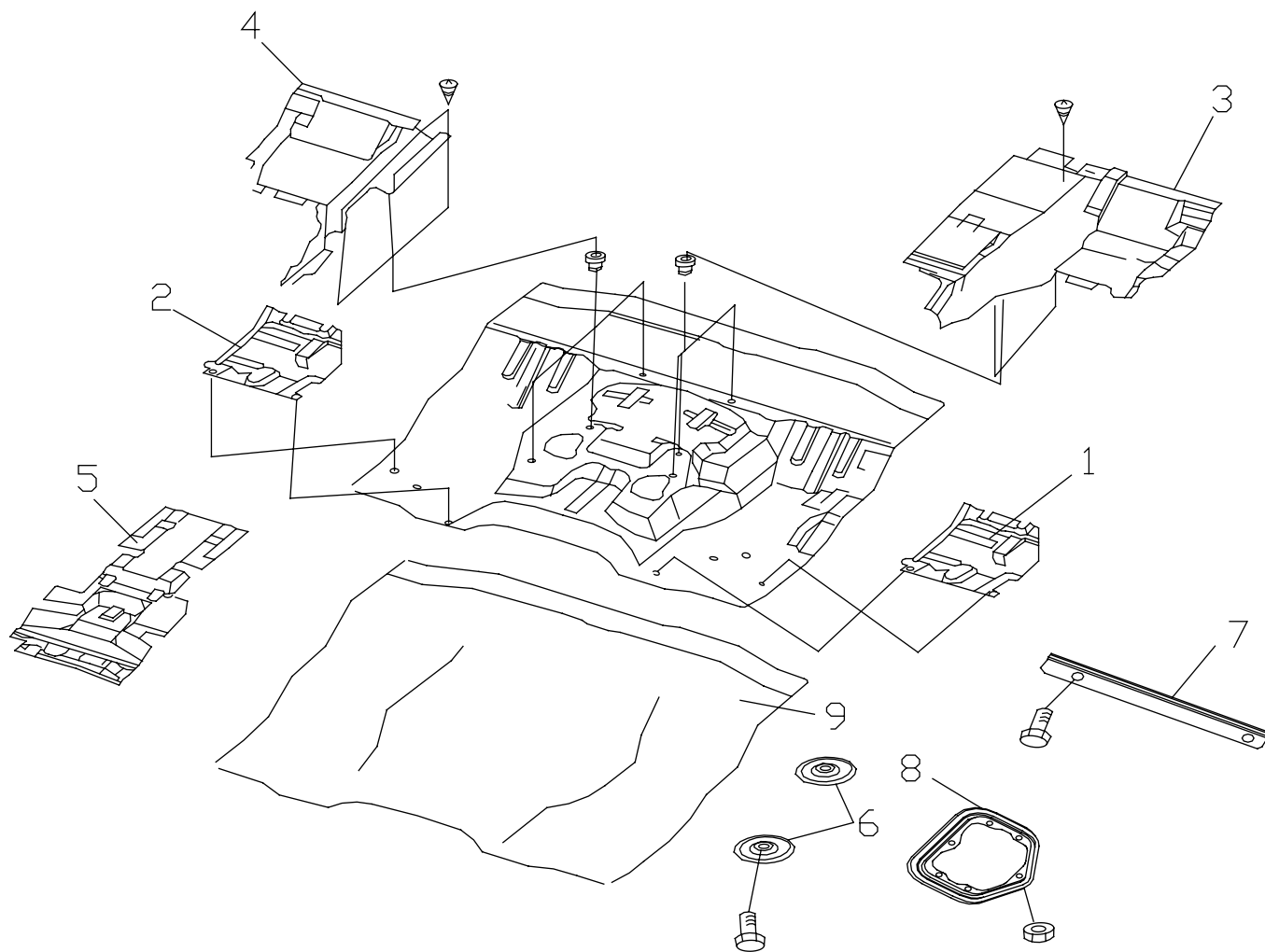
车身地板系统 / BODY FLOOR SYSTEM

51-20

| 序号<br>No. | 件号<br>Part No. | 数量<br>Quantity | 名称<br>Name   | 规格<br>Specification | 适用产品<br>Products Applied              | 备注<br>Remark |
|-----------|----------------|----------------|--|---------------------|---------------------------------------|--------------|
| 1         | 51A-09015/15-A | 1/1            | 左前地毯总成<br>Front Floor Carpet Assembly LH                                     |                     | -A 为高顶驾驶室专用<br>Only For High Roof Cab |              |
| 2         | 51A-09025/25-A | 1/1            | 右前地毯总成<br>Front Floor Carpet Assembly RH                                     |                     | -A 为高顶驾驶室专用<br>Only For High Roof Cab |              |
|           | 51A-09025      | 1              | 右前地毯总成<br>Front Floor Carpet Assembly RH                                     |                     | 窄体系列<br>Narrow Cab Series             |              |
| 3         | 51A-09035/35-A | 1/1            | 左地毯总成<br>Floor Carpet Assembly LH  |                     | -A 为高顶驾驶室专用<br>Only For High Roof Cab |              |
|           | Q2735516       | 3              | 十字槽大半圆头自攻螺钉<br>Cross Recessed Cup Head Self-Tapping Screw<br>With Large Head |                     |                                       |              |
|           | 51A-03012      | 3              | 圆型塑料螺母 F<br>Round Plastic Nut F  |                     |                                       |              |
| 4         | 51A-09036/36-A | 1/1            | 右地毯总成<br>Floor Carpet Assembly RH  |                     | -A 为高顶驾驶室专用<br>Only For High Roof Cab |              |
|           | Q2735516       | 3              | 十字槽大半圆头自攻螺钉<br>Cross Recessed Cup Head Self-Tapping Screw<br>With Large Head |                     |                                       |              |
|           | 51A-03012      | 3              | 圆型塑料螺母 F<br>Round Plastic Nut F  |                     |                                       |              |
| 5         | 51A-09055      | 1              | 鼓包上隔热垫总成<br>Block Upper Insulator Assembly                                   |                     |                                       |              |
|           | 51A5-09055     | 1              | 鼓包上隔热垫总成<br>Block Upper Insulator Assembly                                   |                     | 窄体系列<br>Narrow Cab Series             |              |
| 6         | 51A-10016      | 2              | 大垫片<br>Big Shim  |                     |                                       |              |
|           | Q1460820       | 2              | 六角头组合螺栓<br>Hexagon Head Combination Bolt                                     |                     |                                       |              |
| 7         | 51A-10017      | 2              | 下隔热垫后固定板<br>Lower Insulator Rear Fixing Plate                                |                     |                                       |              |

## 驾驶室地毯 / CAB FLOOR CARPET

51-F





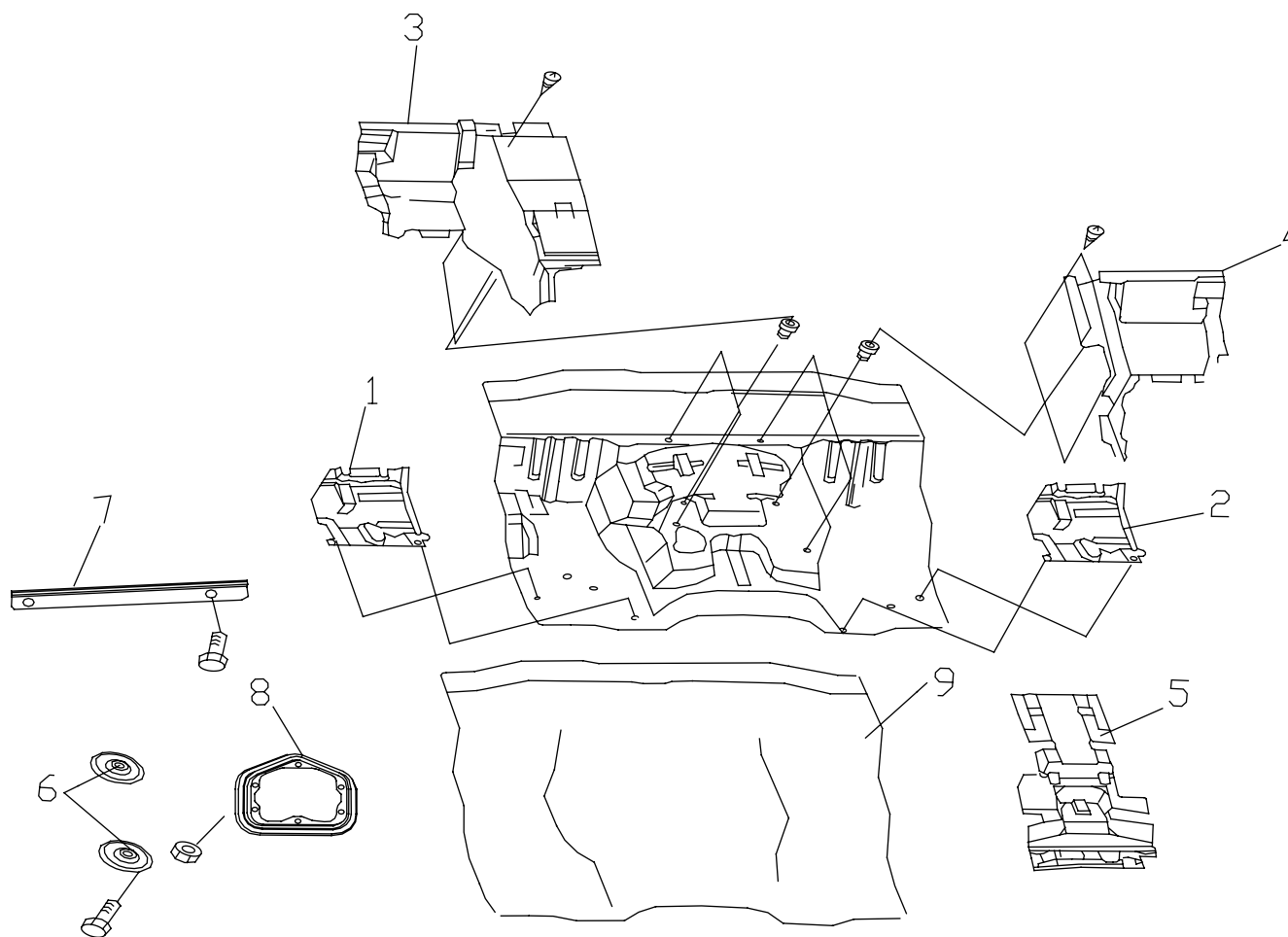
车身地板系统 / BODY FLOOR SYSTEM

51-22

| 序号<br>No. | 件号<br>Part No. | 数量<br>Quantity | 名称<br>Name                                    | 规格<br>Specification | 适用产品<br>Products Applied  | 备注<br>Remark |
|-----------|----------------|----------------|---|---------------------|---------------------------|--------------|
| 7         | 51A5-10017     | 2              | 下隔热垫后固定板<br>Lower Insulator Rear Fixing Plate |                     | 窄体系列<br>Narrow Cab Series |              |
|           | Q1460820       | 4              | 六角头组合螺栓<br>Hexagon Head Combination Bolt      |                     |                           |              |
| 8         | 51A-01356      | 1              | 排档杆下盖板<br>Shift Lever Lower Cover Plate       |                     |                           |              |
|           | HQ32010        | 3              | 六角法兰面螺母 - 细牙<br>Hexagon Nut With Flange-Fine  |                     |                           |              |
| 9         | 51A-10015      | 1              | 鼓包下隔热垫<br>Block Lower Insulator               |                     |                           |              |
|           | 51A5-10015     | 1              | 鼓包下隔热垫<br>Block Lower Insulator               |                     | 窄体系列<br>Narrow Cab Series |              |
|           | 51A-01365      | 1              | 油路缓冲垫总成<br>Oil Circuit Bumper Assembly        |                     |                           |              |
|           | Q32008         | 6              | 六角法兰面螺母<br>Hexagon Nut With Flange            |                     |                           |              |

## 右驾驾驶室地毯 / CAB FLOOR CARPET FOR RHD

51-G



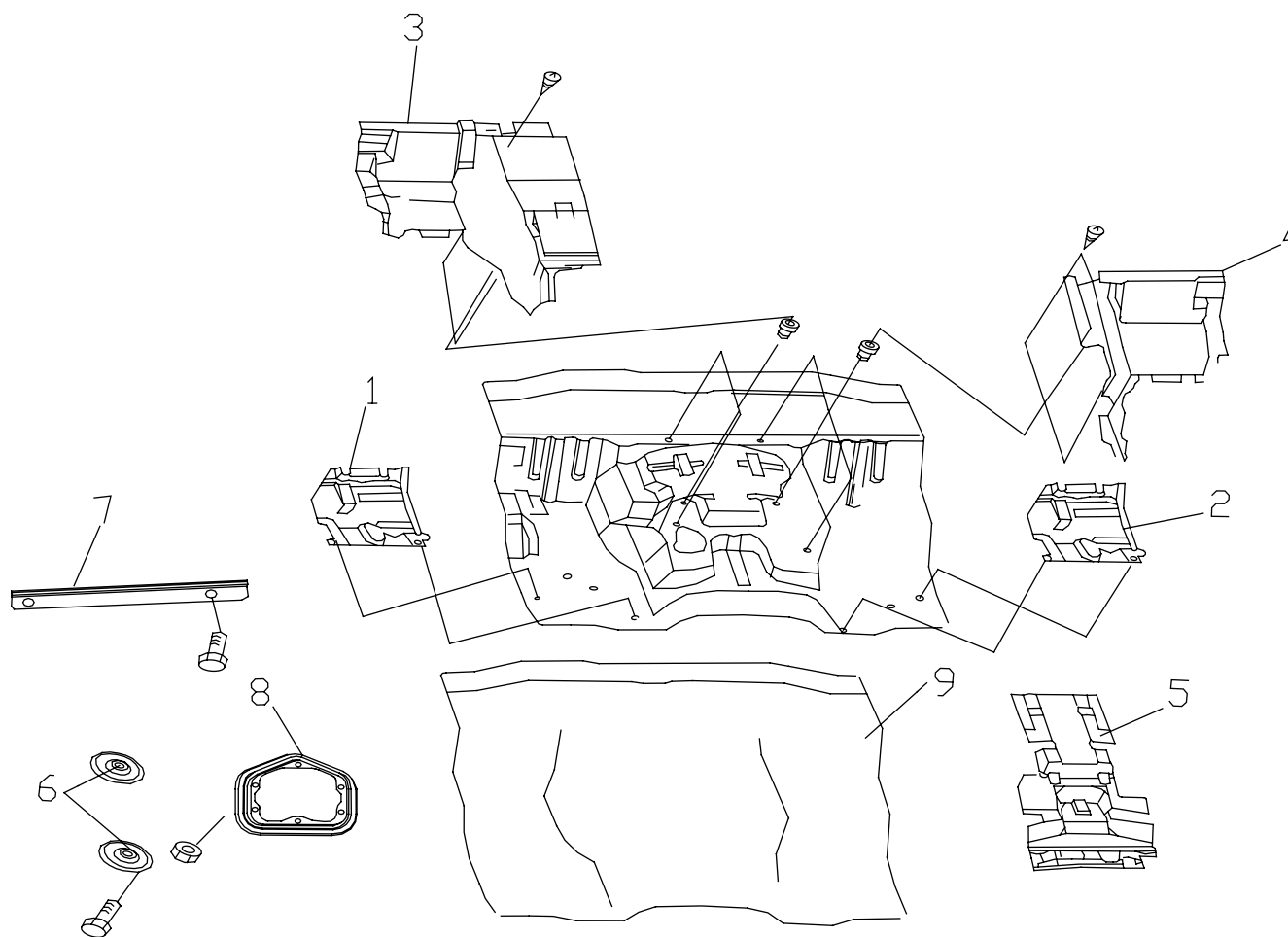
车身地板系统 / BODY FLOOR SYSTEM

51-24

| 序号<br>No. | 件号<br>Part No.  | 数量<br>Quantity | 名称<br>Name   | 规格<br>Specification | 适用产品<br>Products Applied                              | 备注<br>Remark |
|-----------|-----------------|----------------|--|---------------------|---|--------------|
| 1         | 51AY-09015/15-A | 1/1            | 左前地毯总成<br>Front Floor Carpet Assembly LH                                     |                     | 右驾系列 -A 为高顶驾驶室专用<br>RHD Series-Only For High Roof Cab |              |
| 2         | 51AY-09025/25-A | 1/1            | 右前地毯总成<br>Front Floor Carpet Assembly RH                                     |                     | 右驾系列 -A 为高顶驾驶室专用<br>RHD Series-Only For High Roof Cab |              |
| 3         | 51AY-09035/35-A | 1/1            | 左地毯总成<br>Floor Carpet Assembly LH  |                     | 右驾系列 -A 为高顶驾驶室专用<br>RHD Series-Only For High Roof Cab |              |
|           | Q2735516        | 3              | 十字槽大半圆头自攻螺钉<br>Cross Recessed Cup Head Self-Tapping Screw<br>With Large Head |                     |   |              |
|           | 51A-03012       | 3              | 圆型塑料螺母 F<br>Round Plastic Nut F  |                     |   |              |
| 4         | 51AY-09036/36-A | 1/1            | 右地毯总成<br>Floor Carpet Assembly RH  |                     | 右驾系列 -A 为高顶驾驶室专用<br>RHD Series-Only For High Roof Cab |              |
|           | Q2735516        | 3              | 十字槽大半圆头自攻螺钉<br>Cross Recessed Cup Head Self-Tapping Screw<br>With Large Head |                     |   |              |
|           | 51A-03012       | 3              | 圆型塑料螺母 F<br>Round Plastic Nut F  |                     |   |              |
| 5         | 51AY-09055      | 1              | 鼓包上隔热垫总成<br>Block Upper Insulator Assembly                                   |                     | 右驾系列<br>RHD Series                                    |              |
| 6         | 51A-10016       | 2              | 大垫片<br>Big Shim  |                     |   |              |
|           | Q1460820        | 2              | 六角头组合螺栓<br>Hexagon Head Combination Bolt                                     |                     |   |              |
| 7         | 51A-10017       | 2              | 下隔热垫后固定板<br>Lower Insulator Rear Fixing Plate                                |                     |   |              |
|           | Q1460820        | 4              | 六角头组合螺栓<br>Hexagon Head Combination Bolt                                     |                     |   |              |

## 右驾驾驶室地毯 / CAB FLOOR CARPET FOR RHD

51-G



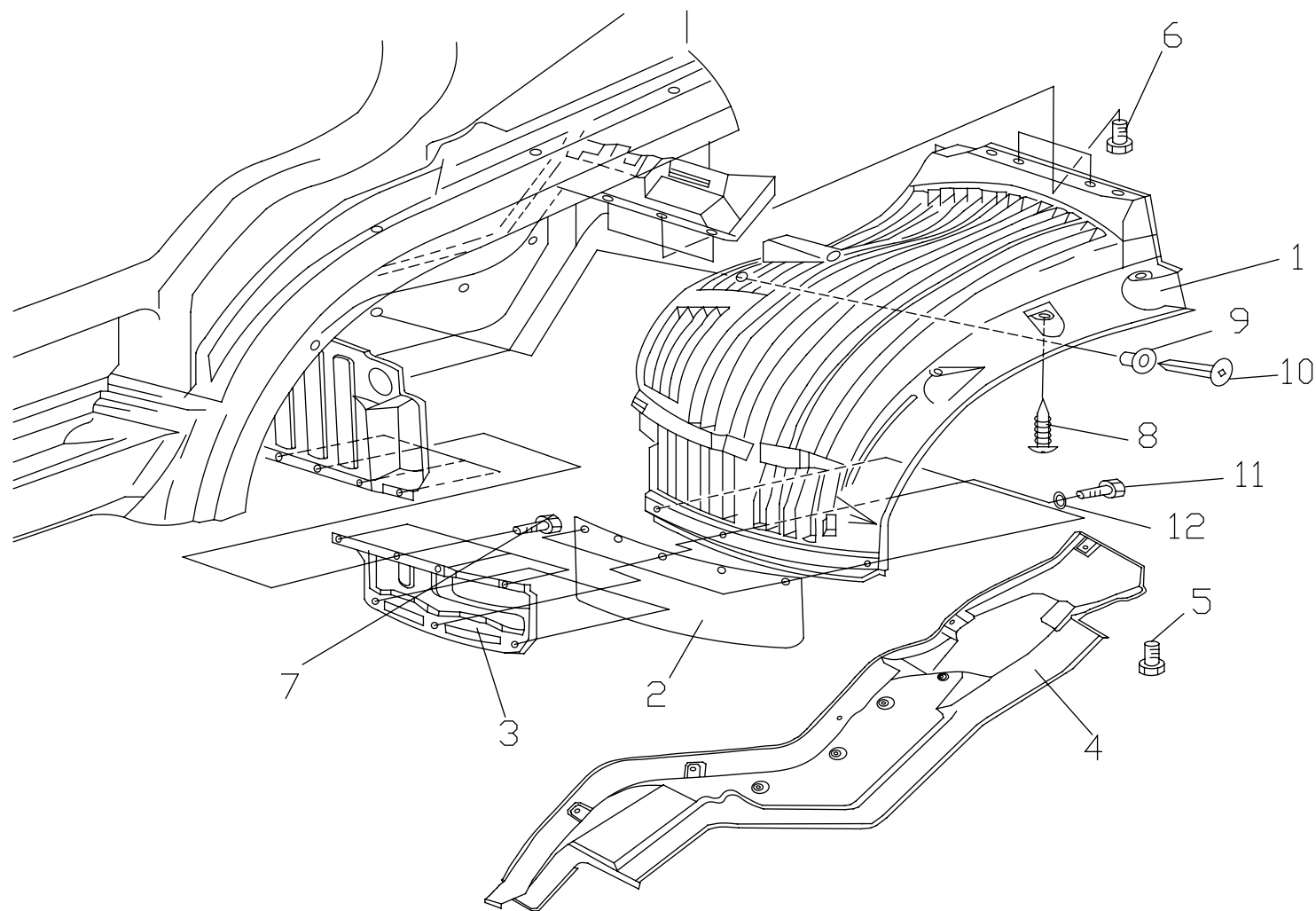
车身地板系统 / BODY FLOOR SYSTEM

51-26

| 序号<br>No. | 件号<br>Part No. | 数量<br>Quantity | 名称<br>Name                                   | 规格<br>Specification | 适用产品<br>Products Applied | 备注<br>Remark |
|-----------|----------------|----------------|--|---------------------|--------------------------|--------------|
| 8         | 51AY-01356     | 1              | 排档杆下盖板<br>Shift Lever Lower Cover Plate      |                     | 右驾系列<br>RHD Series       |              |
|           | HQ32010        | 3              | 六角法兰面螺母 - 细牙<br>Hexagon Nut With Flange-Fine |                     |                          |              |
| 9         | 51A-10015      | 1              | 鼓包下隔热垫<br>Block Lower Insulator              |                     |                          |              |
|           | 51A-01365      | 1              | 油路缓冲垫总成<br>Oil Circuit Bumper Assembly       |                     |                          |              |
|           | Q32008         | 6              | 六角法兰面螺母<br>Hexagon Nut With Flange           |                     |                          |              |

## 软挡泥板 / SOFT FENDER

51-H



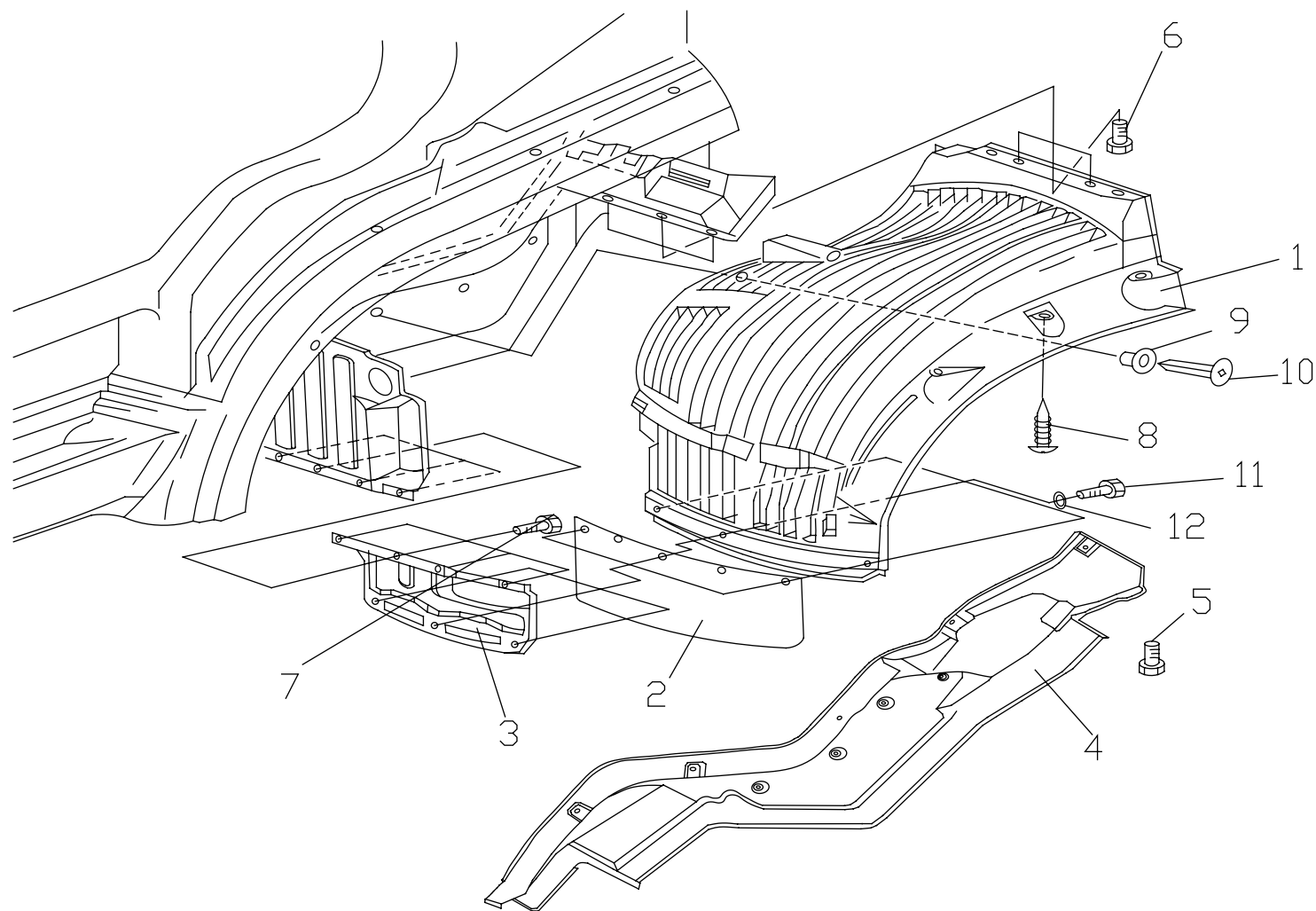
车身地板系统 / BODY FLOOR SYSTEM

51-28

| 序号<br>No. | 件号<br>Part No. | 数量<br>Quantity | 名称<br>Name   | 规格<br>Specification | 适用产品<br>Products Applied  | 备注<br>Remark |
|-----------|----------------|----------------|--|---------------------|---------------------------|--------------|
| 1         | 51A-05075      | 1              | 左软挡泥板总成<br>Soft Fender Assembly LH                             |                     |                           |              |
|           | 51A-05076      | 1              | 右软挡泥板总成<br>Soft Fender Assembly RH                             |                     |                           |              |
|           | 51A5-05075     | 1              | 左软挡泥板总成<br>Soft Fender Assembly LH                             |                     | 窄体系列<br>Narrow Cab Series |              |
|           | 51A5-05076     | 1              | 右软挡泥板总成<br>Soft Fender Assembly RH                             |                     | 窄体系列<br>Narrow Cab Series |              |
| 2         | 51A-05077      | 1              | 左 EVA 挡泥板 - 软挡泥板<br>EVA Fender LH-Soft Fender                  |                     |                           |              |
|           | 51A-05078      | 1              | 右 EVA 挡泥板 - 软挡泥板<br>EVA Fender RH-Soft Fender                  |                     |                           |              |
| 3         | 51A-01357      | 1              | 左前挡泥板下连接板总成<br>Front Fender Lower Connecting Board Assembly LH |                     |                           |              |
|           | 51A-01361      | 1              | 右前挡泥板下连接板总成<br>Front Fender Lower Connecting Board Assembly RH |                     |                           |              |
| 4         | 51A3D-10019    | 1              | 左内软挡泥板总成 - 带 EVA<br>Inner Soft Fender LH Assembly-W/EVA        |                     |                           |              |
|           | 51A3D-10020    | 1              | 右内软挡泥板总成 - 带 EVA<br>Inner Soft Fender RH Assembly-W/EVA        |                     |                           |              |
| 5         | Q1460825       | 8              | 六角头组合螺栓<br>Hexagon Head Combination Bolt                       |                     |                           |              |
| 6         | Q1460820       | 8              | 六角头组合螺栓<br>Hexagon Head Combination Bolt                       |                     |                           |              |
| 7         | Q1460816       | 8              | 六角头组合螺栓<br>Hexagon Head Combination Bolt                       |                     |                           |              |

## 软挡泥板 / SOFT FENDER

51-H





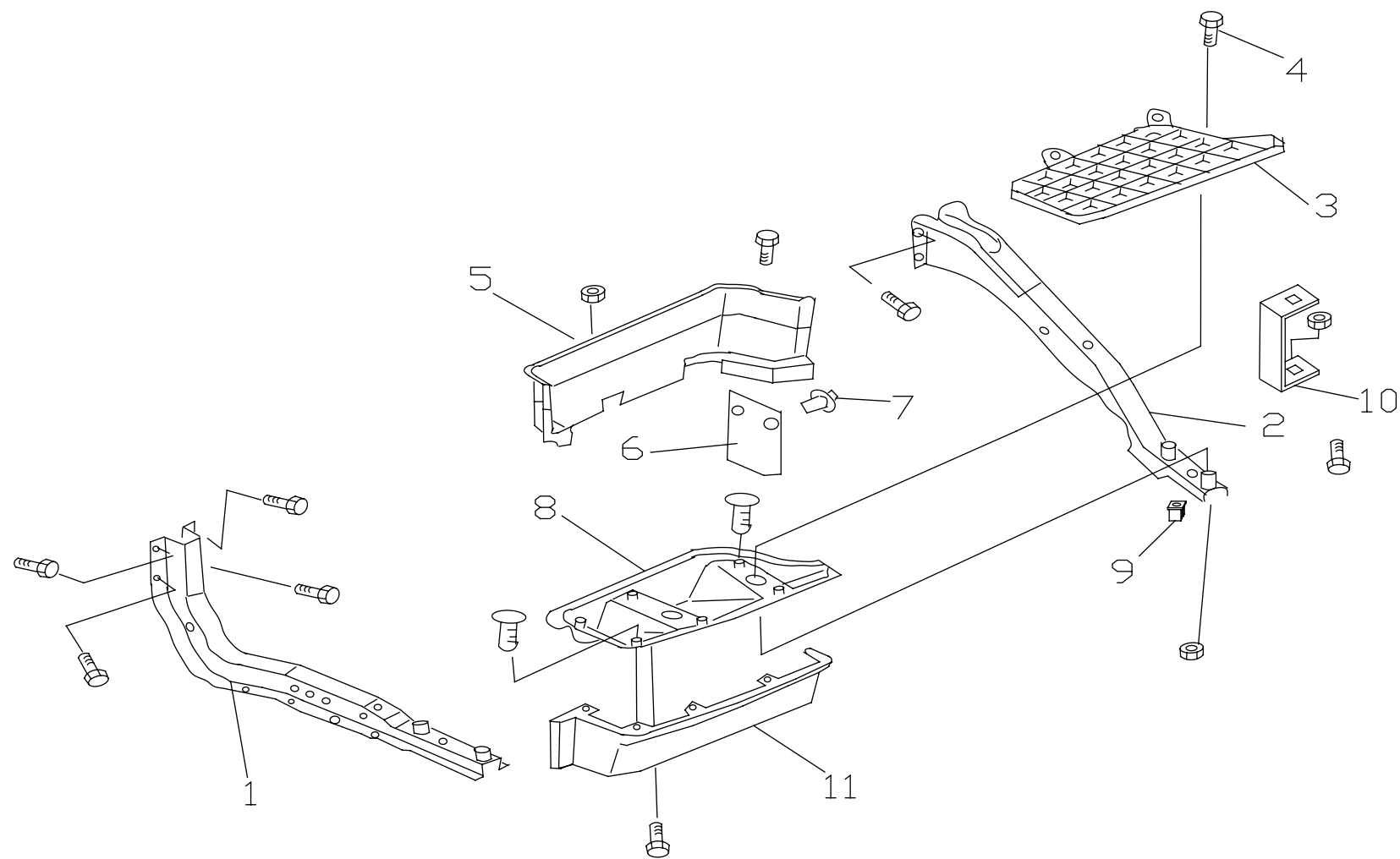
车身地板系统 / BODY FLOOR SYSTEM

51-30

| 序号<br>No. | 件号<br>Part No. | 数量<br>Quantity | 名称<br>Name   | 规格<br>Specification | 适用产品<br>Products Applied | 备注<br>Remark |
|-----------|----------------|----------------|--|---------------------|--------------------------|--------------|
| 8         | Q2734816       | 6              | 十字槽大半圆头自攻螺钉<br>Cross Recessed Cup Head Self-Tapping Screw<br>With Large Head |                     |                          |              |
| 9         | 51A-05081      | 8              | 圆型塑料螺母 E<br>Round Plastic Nut E  |                     |                          |              |
| 10        | 51A-05079      | 8              | 塑料螺钉 E<br>Plastic Screw E  |                     |                          |              |
| 11        | Q1420616       | 6              | 六角头弹平垫组合螺栓<br>Hexagon Head Combination Bolt With Spring And<br>Plate Washer  |                     |                          |              |
| 12        | Q40206         | 6              | 大平垫<br>Big Plate Washer  |                     |                          |              |

## 下脚踏板 / LOWER PEDAL

51-I



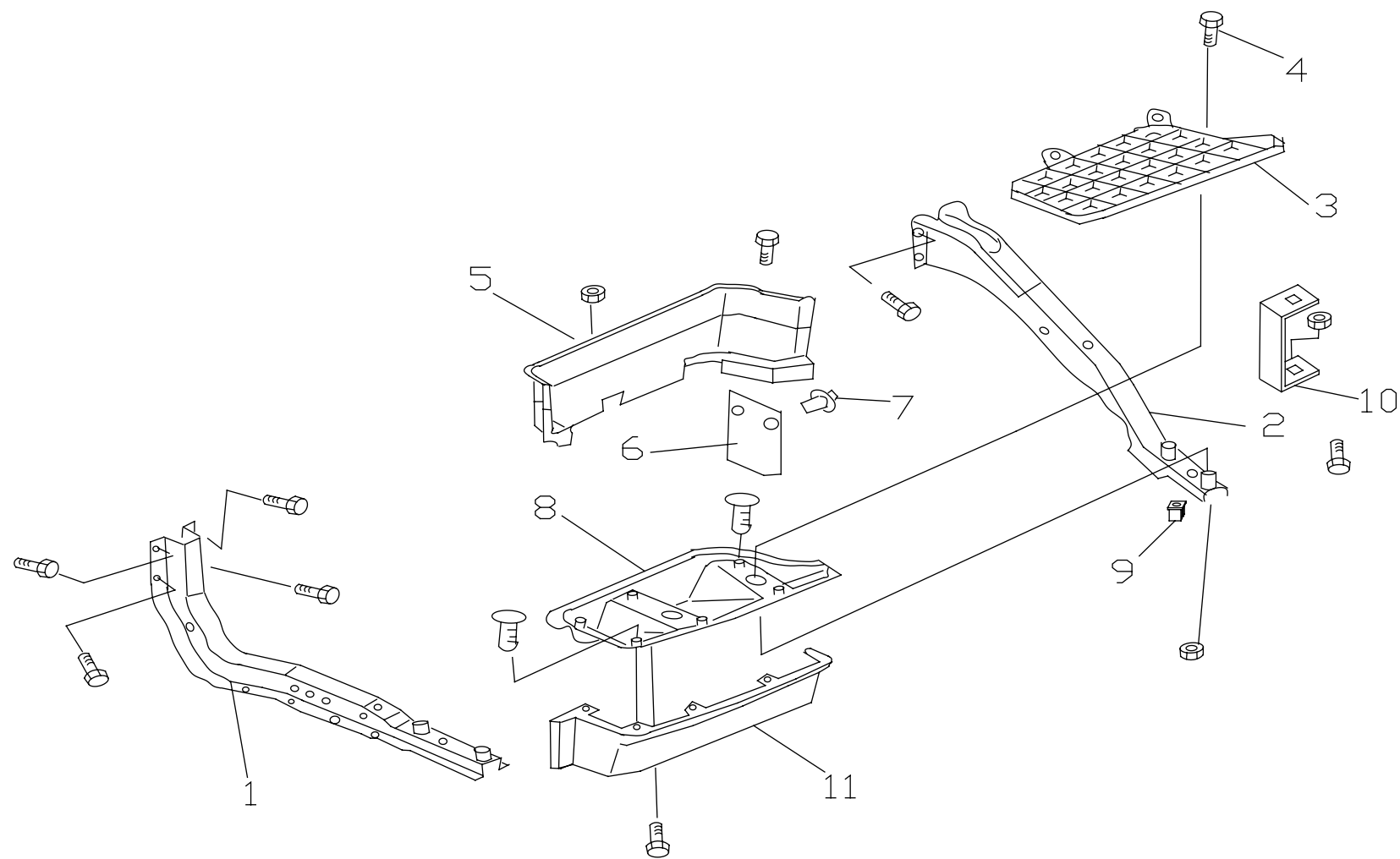
车身地板系统 / BODY FLOOR SYSTEM

51-32

| 序号<br>No. | 件号<br>Part No.   | 数量<br>Quantity | 名称<br>Name  | 规格<br>Specification | 适用产品<br>Products Applied                                | 备注<br>Remark |
|-----------|------------------|----------------|---|---------------------|---|--------------|
| 1         | 51A3D-05041      | 2              | 脚踏板前托架总成<br>Pedal Front Bracket Assembly                |                     |   |              |
|           | 51A5-05041       | 2              | 脚踏板前托架总成<br>Pedal Front Bracket Assembly                |                     | 窄体系列<br>Narrow Cab Series                               |              |
|           | Q1461035         | 8              | 六角头组合螺栓<br>Hexagon Head Combination Bolt                |                     |   |              |
|           | 50AK20DZ5-05041  | 1              | 脚踏板前托架总成<br>Pedal Front Bracket Assembly                |                     | 976 车架系列<br>976 Frame Series                            |              |
| 2         | 51A3D-05045      | 1              | 左脚踏板后托架总成<br>Left Pedal Rear Bracket Assembly           |                     |   |              |
|           | 51A3D-05046      | 1              | 右脚踏板后托架总成<br>Right Pedal Rear Bracket Assembly          |                     |   |              |
|           | Q1461035         | 8              | 六角头组合螺栓<br>Hexagon Head Combination Bolt                |                     |   |              |
|           | 51A5-05045/6     | 1/1            | 左 / 右脚踏板后托架总成<br>Left/Right Pedal Rear Bracket Assembly |                     | 窄体系列<br>Narrow Cab Series                               |              |
|           | 50B42DP10-05045  | 1              | 左脚踏板后托架总成<br>Left Pedal Rear Bracket Assembly           |                     | 窄体双前桥系列<br>Narrow Cab Double Front Axle Series          |              |
|           | 50A3DP3-05045    | 1              | 左脚踏板后托架总成<br>Left Pedal Rear Bracket Assembly           |                     | 宽体双前桥系列<br>Wide Cab Double Front Axle Series            |              |
|           | 50AK20DZ5-05045  | 1              | 左脚踏板后托架总成<br>Left Pedal Rear Bracket Assembly           |                     | 976 车架系列<br>976 Frame Series                            |              |
|           | 50AK20DZ5-05046  | 1              | 右脚踏板后托架总成<br>Right Pedal Rear Bracket Assembly          |                     | 976 车架系列<br>976 Frame Series                            |              |
|           | 51AH52DYZ4-05046 | 1              | 右脚踏板后托架总成<br>Right Pedal Rear Bracket Assembly          |                     | 976 车架右驾双前桥系列<br>976 Frame RHD Double Front Axle Series |              |
| 3         | 51A1-05040       | 2              | 下脚踏板<br>Lower Pedal                                     |                     |   |              |

## 下脚踏板 / LOWER PEDAL

51-I



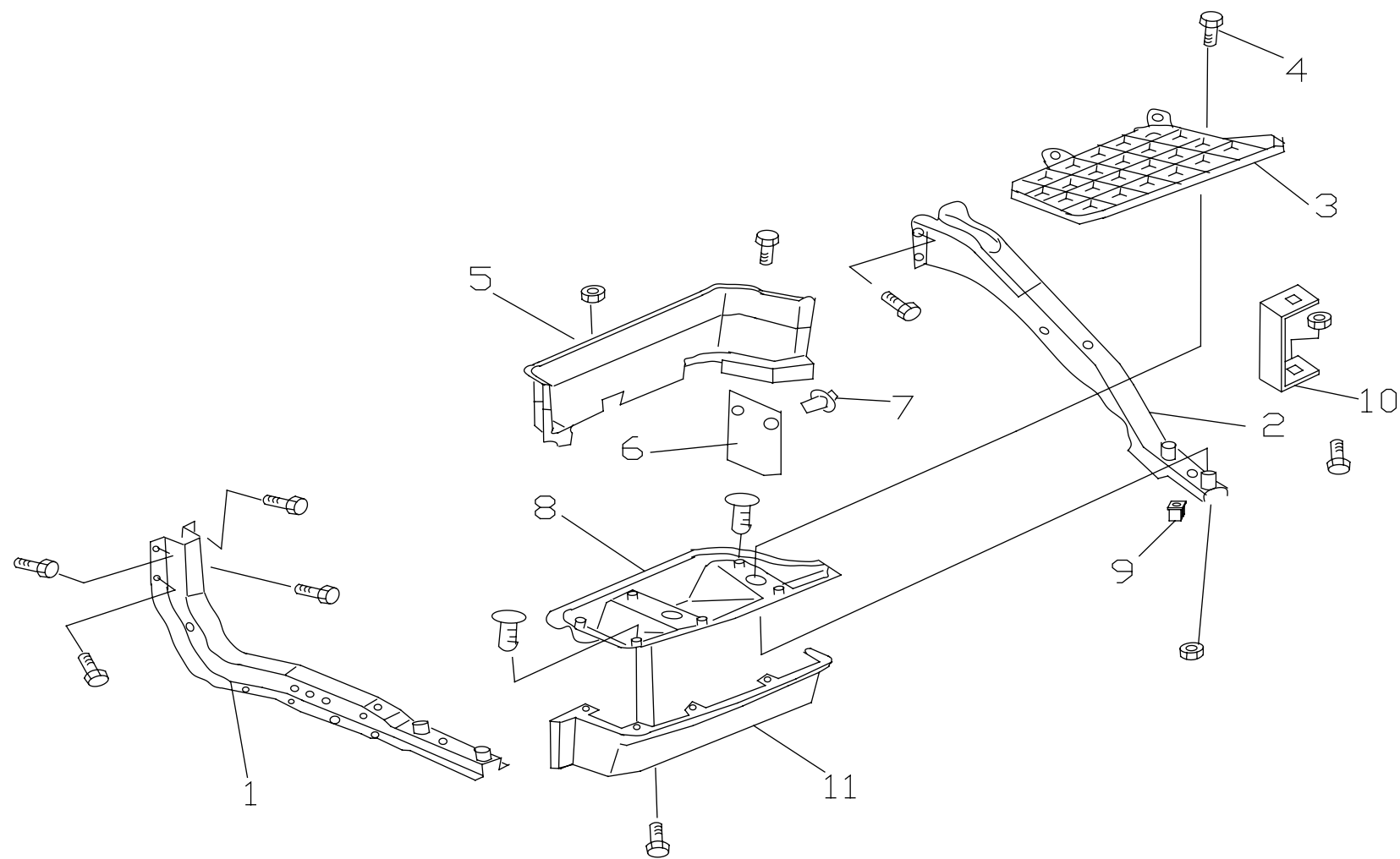
车身地板系统 / BODY FLOOR SYSTEM

51-34

| 序号<br>No. | 件号<br>Part No. | 数量<br>Quantity | 名称<br>Name   | 规格<br>Specification | 适用产品<br>Products Applied | 备注<br>Remark |
|-----------|----------------|----------------|--|---------------------|--------------------------|--------------|
| 4         | 51A3D-05035    | 8              | 小六角头螺栓<br>Small Hexagon Head Bolt  |                     |                          |              |
|           | Q32008         | 8              | 六角法兰面螺母<br>Hexagon Nut With Flange   |                     |                          |              |
| 5         | 51A1-05051     | 1              | 左踏板下护板<br>Left Pedal Lower Protector   |                     |                          |              |
|           | 51A1-05052     | 1              | 右踏板下护板<br>Right Pedal Lower Protector  |                     |                          |              |
|           | Q2360520       | 12             | 十字槽弹平垫组合螺钉<br>Cross Recessed Combination Screw With Spring<br>And Plate Washer |                     |                          |              |
|           | Q340B05        | 12             | I型六角头螺母<br>Hexagon Full Nut  |                     |                          |              |
| 6         | 51A1-05061     | 1              | 左小挡泥片<br>Small Mud Guard LH  |                     |                          |              |
|           | 51A1-05062     | 1              | 右小挡泥片<br>Small Mud Guard RH  |                     |                          |              |
| 7         | 51A-05081      | 4              | 圆型塑料螺母 E<br>Round Plastic Nut E  |                     |                          |              |
|           | 51A-05079      | 4              | 塑料螺钉 E<br>Plastic Screw E  |                     |                          |              |
| 8         | 51A1-05055     | 1              | 左踏板下衬板<br>Left Pedal Lower Patch   |                     |                          |              |
|           | 51A1-05056     | 1              | 右踏板下衬板<br>Right Pedal Lower Patch  |                     |                          |              |
|           | Q2734816       | 4              | 十字槽大半圆头自攻螺钉<br>Cross Recessed Cup Head Self-Tapping Screw<br>With Large Head   |                     |                          |              |

## 下脚踏板 / LOWER PEDAL

51-I



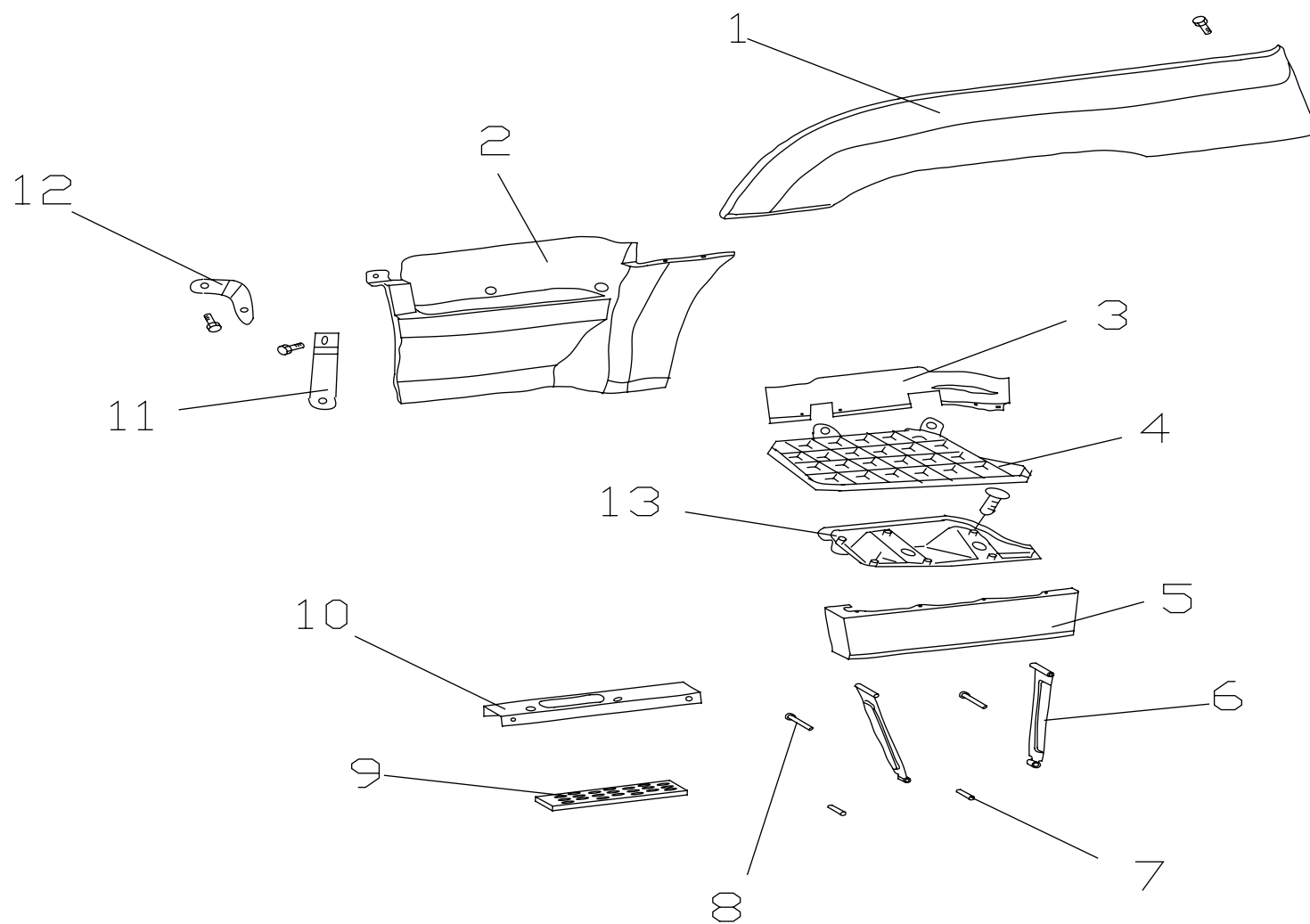
车身地板系统 / BODY FLOOR SYSTEM

51-36

| 序号<br>No. | 件号<br>Part No. | 数量<br>Quantity | 名称<br>Name   | 规格<br>Specification | 适用产品<br>Products Applied | 备注<br>Remark |
|-----------|----------------|----------------|--|---------------------|--------------------------|--------------|
| 9         | 51A-05036      | 4              | 圆型塑料螺母 D<br>Round Plastic Nut D  |                     |                          |              |
| 10        | 51A3D-05059    | 4              | 下踏板中支架<br>Lower Pedal Middle Bracket   |                     |                          |              |
|           | Q1460630       | 4              | 六角头组合螺栓<br>Hexagon Head Combination Bolt                                     |                     |                          |              |
|           | Q32006         | 4              | 六角法兰面螺母<br>Hexagon Nut With Flange   |                     |                          |              |
| 11        | 51A1-05057     | 1              | 左踏板下饰板<br>Left Pedal Lower Trim  |                     |                          |              |
|           | 51A1-05058     | 1              | 右踏板下饰板<br>Right Pedal Lower Trim   |                     |                          |              |
|           | Q2734816       | 10             | 十字槽大半圆头自攻螺钉<br>Cross Recessed Cup Head Self-Tapping Screw<br>With Large Head |                     |                          |              |

## 欧款下脚踏板 / EUROPE LOWER PEDAL

51-J





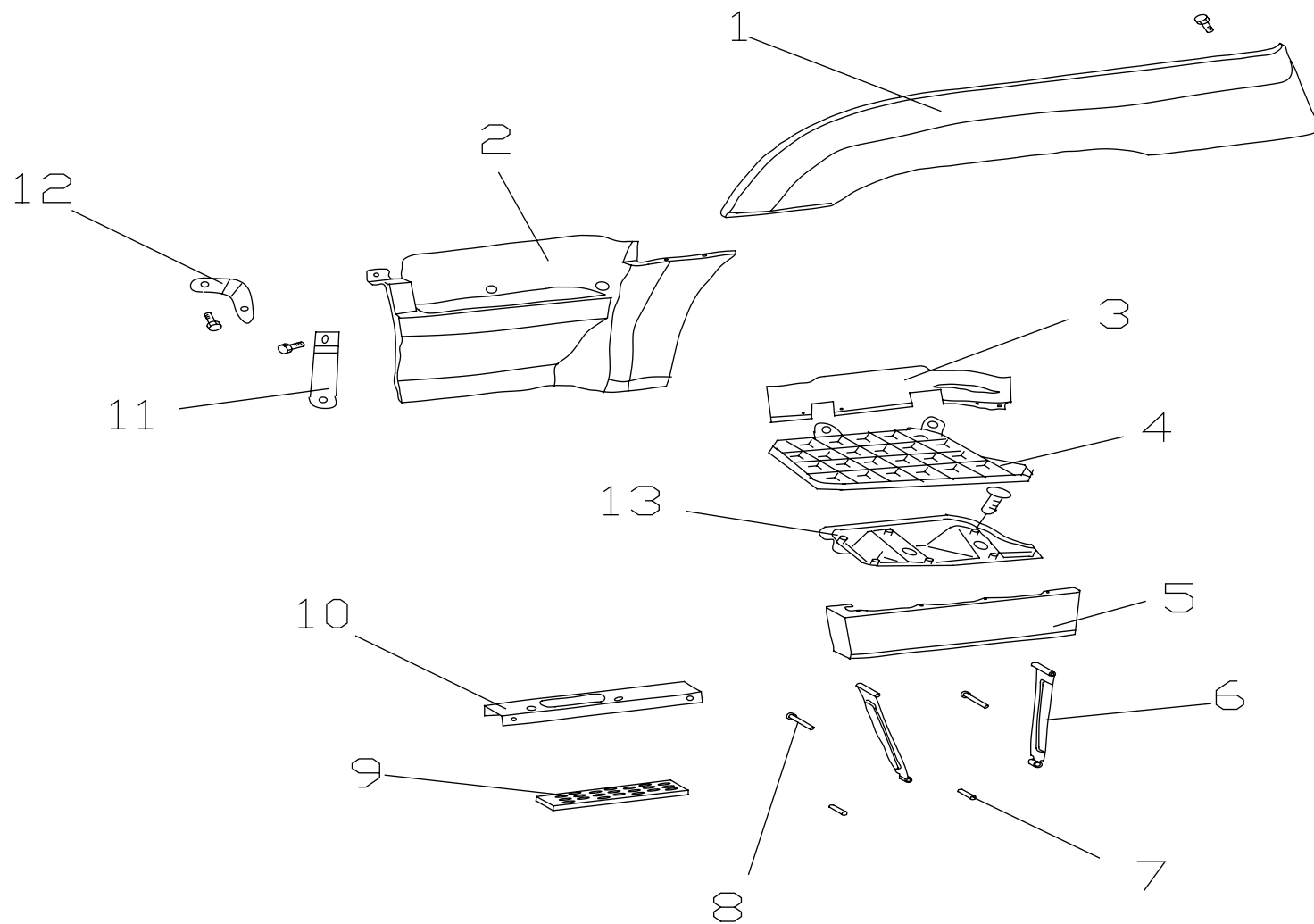
车身地板系统 / BODY FLOOR SYSTEM

51-38

| 序号<br>No. | 件号<br>Part No. | 数量<br>Quantity | 名称<br>Name   | 规格<br>Specification | 适用产品<br>Products Applied | 备注<br>Remark |
|-----------|----------------|----------------|--|---------------------|--------------------------|--------------|
| 1         | 51E-05017      | 1              | 左轮弧饰板<br>Wheel Cradle Trim LH  |                     | 欧款系列<br>Europe Series    |              |
|           | 51E-05018      | 1              | 右轮弧饰板<br>Wheel Cradle Trim RH  |                     | 欧款系列<br>Europe Series    |              |
|           | Q1460620       | 10             | 六角头组合螺栓<br>Hexagon Head Combination Bolt                                       |                     |                          |              |
| 2         | 51E-05037      | 1              | 左踏板护板<br>Pedal Protector LH  |                     | 欧款系列<br>Europe Series    |              |
|           | 51E-05038      | 1              | 右踏板护板<br>Pedal Protector RH  |                     | 欧款系列<br>Europe Series    |              |
|           | Q1460820       | 6              | 六角头组合螺栓<br>Hexagon Head Combination Bolt                                       |                     |                          |              |
|           | Q1460625       | 4              | 六角头组合螺栓<br>Hexagon Head Combination Bolt                                       |                     |                          |              |
|           | Q32006         | 4              | 六角法兰面螺母<br>Hexagon Nut With Flange   |                     |                          |              |
| 3         | 51E-05051      | 1              | 左踏板下护板<br>Left Pedal Lower Protector   |                     | 欧款系列<br>Europe Series    |              |
|           | 51E-05052      | 1              | 右踏板下护板<br>Right Pedal Lower Protector  |                     | 欧款系列<br>Europe Series    |              |
|           | Q2360520       | 10             | 十字槽弹平垫组合螺钉<br>Cross Recessed Combination Screw With Spring<br>And Plate Washer |                     |                          |              |
| 4         | 51E-05040      | 2              | 下脚踏板<br>Lower Pedal  |                     | 欧款系列<br>Europe Series    |              |
|           | 51A3D-05035    | 8              | 小六角头螺栓—长<br>Small Hexagon Head Bolt-Long                                       |                     |                          |              |
|           | Q32008         | 8              | 六角法兰面螺母<br>Hexagon Nut With Flange   |                     |                          |              |

## 欧款下脚踏板 / EUROPE LOWER PEDAL

51-J



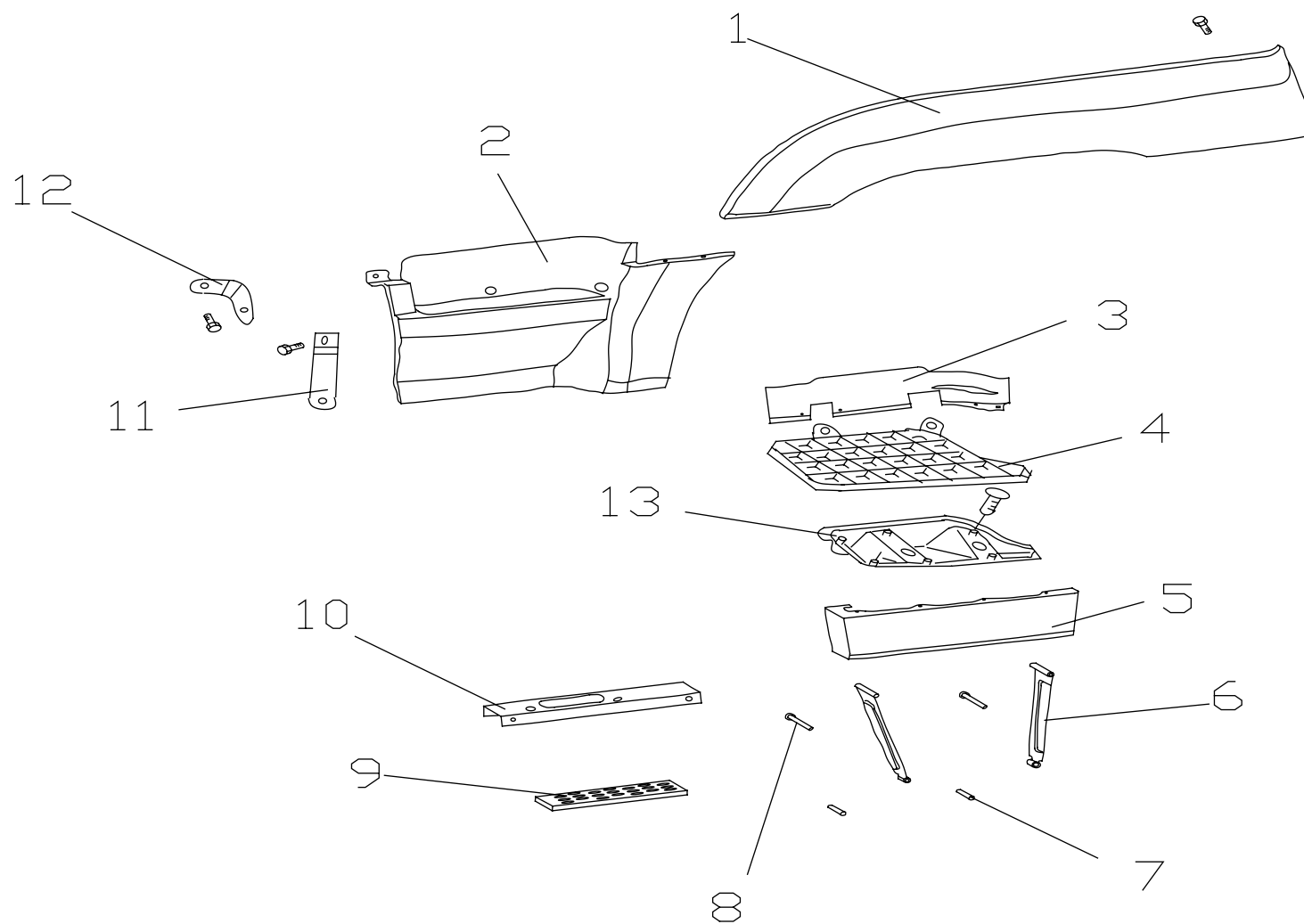
车身地板系统 / BODY FLOOR SYSTEM

51-40

| 序号<br>No. | 件号<br>Part No. | 数量<br>Quantity | 名称<br>Name   | 规格<br>Specification | 适用产品<br>Products Applied          | 备注<br>Remark |
|-----------|----------------|----------------|--|---------------------|-----------------------------------|--------------|
| 5         | 51E-05057      | 1              | 左踏板下饰板<br>Left Pedal Lower Trim  |                     | 欧款系列<br>Europe Series             |              |
|           | 51E-05058      | 1              | 右踏板下饰板<br>Right Pedal Lower Trim   |                     | 欧款系列<br>Europe Series             |              |
|           | Q2734816       | 8              | 十字槽大半圆头自攻螺钉<br>Cross Recessed Cup Head Self-Tapping Screw<br>With Large Head |                     |                                   |              |
| 6         | 51EG-06025     | 4              | 一级脚踏板连接板<br>Primary Pedal Connecting Board                                   |                     | 欧款高顶系列<br>Europe High Roof Series |              |
| 7         | Q5101085       | 4              | 销轴<br>Center Pin   |                     | 欧款高顶系列<br>Europe High Roof Series |              |
| 8         | 51EG-06026     | 4              | 一级踏板上组合螺栓<br>Primary Pedal Upper Combination Bolt                            |                     | 欧款高顶系列<br>Europe High Roof Series |              |
| 9         | 51EG-06030     | 2              | 一级脚踏板总成<br>Primary Pedal Assembly  |                     | 欧款高顶系列<br>Europe High Roof Series |              |
| 10        | 51EG-06020     | 1              | 一级脚踏板左支座总成<br>Primary Pedal Left Support Assembly                            |                     | 欧款高顶系列<br>Europe High Roof Series |              |
|           | 51EG-06022     | 1              | 一级脚踏板右支座总成<br>Primary Pedal Right Support Assembly                           |                     | 欧款高顶系列<br>Europe High Roof Series |              |
|           | Q1461030       | 2              | 六角头组合螺栓<br>Hexagon Head Combination Bolt                                     |                     |                                   |              |
|           | Q340B10        | 2              | 六角头螺母<br>Hexagon Head Nut  |                     |                                   |              |
| 11        | 51E-05083      | 1              | 左脚踏板下支架(前)<br>Left Pedal Lower Bracket (Front)                               |                     | 欧款系列<br>Europe Series             |              |
|           | 51E-05084      | 1              | 右脚踏板下支架(前)<br>Right Pedal Lower Bracket (Front)                              |                     | 欧款系列<br>Europe Series             |              |
|           | Q1460820       | 2              | 六角头组合螺栓<br>Hexagon Head Combination Bolt                                     |                     |                                   |              |

## 欧款下脚踏板 / EUROPE LOWER PEDAL

51-J



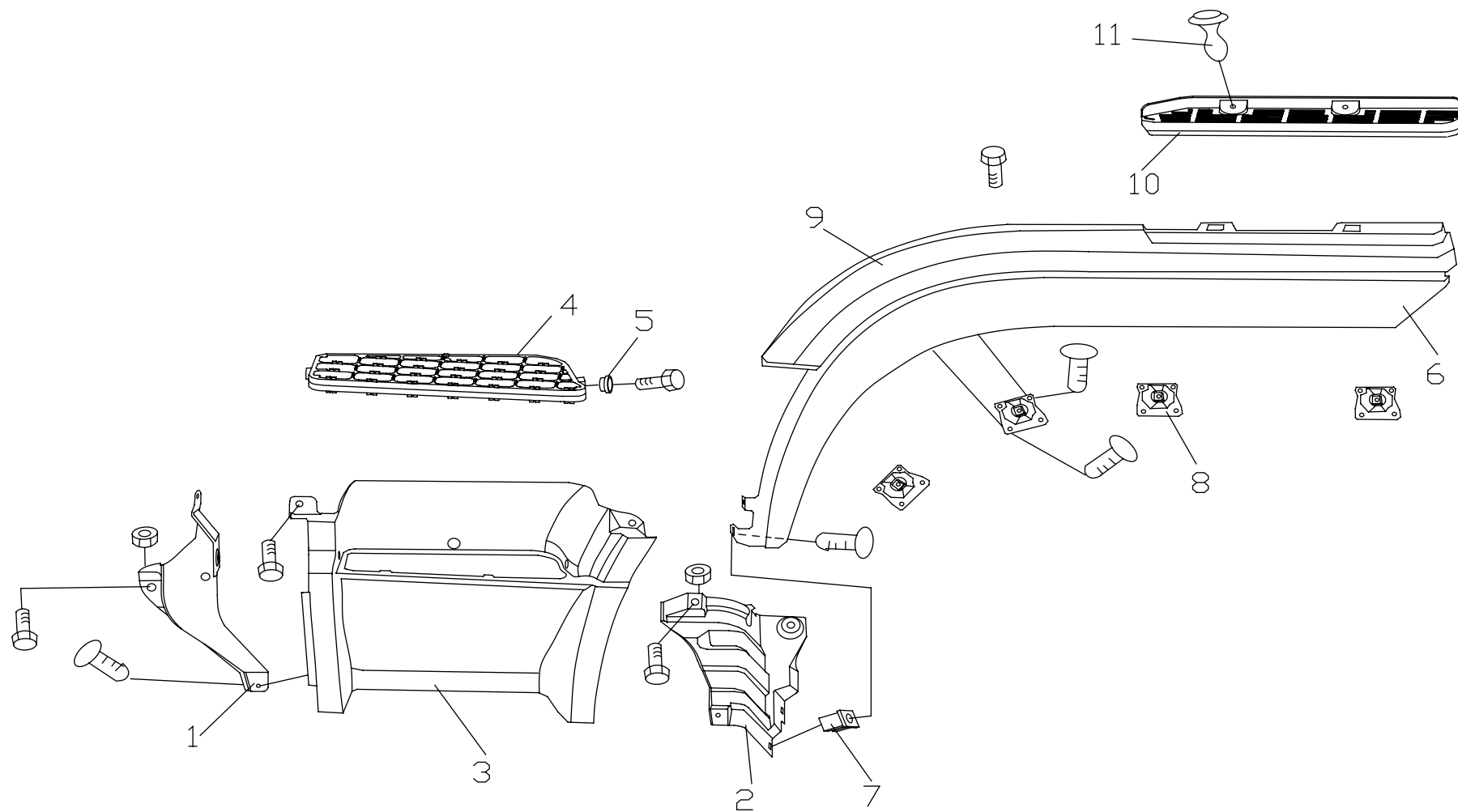
车身地板系统 / BODY FLOOR SYSTEM

51-42

| 序号<br>No. | 件号<br>Part No. | 数量<br>Quantity | 名称<br>Name   | 规格<br>Specification | 适用产品<br>Products Applied | 备注<br>Remark |
|-----------|----------------|----------------|--|---------------------|--------------------------|--------------|
| 11        | Q340B08        | 2              | 六角头螺母<br>Hexagon Head Nut  |                     |                          |              |
| 12        | 51E-05081      | 1              | 左脚踏板上支架 (前)<br>Left Pedal Upper Bracket (Front)                              |                     | 欧款系列<br>Europe Series    |              |
|           | 51E-05082      | 1              | 右脚踏板上支架 (前)<br>Right Pedal Upper Bracket (Front)                             |                     | 欧款系列<br>Europe Series    |              |
|           | Q1460820       | 2              | 六角头组合螺栓<br>Hexagon Head Combination Bolt                                     |                     |                          |              |
|           | Q340B08        | 2              | 六角头螺母<br>Hexagon Head Nut  |                     |                          |              |
| 13        | 51A1-05055     | 1              | 左踏板下衬板<br>Left Pedal Lower Patch   |                     |                          |              |
|           | 51A1-05056     | 1              | 右踏板下衬板<br>Right Pedal Lower Patch  |                     |                          |              |
|           | Q2734816       | 4              | 十字槽大半圆头自攻螺钉<br>Cross Recessed Cup Head Self-Tapping Screw<br>With Large Head |                     |                          |              |

## 上脚踏板 / UPPER PEDAL

51-K



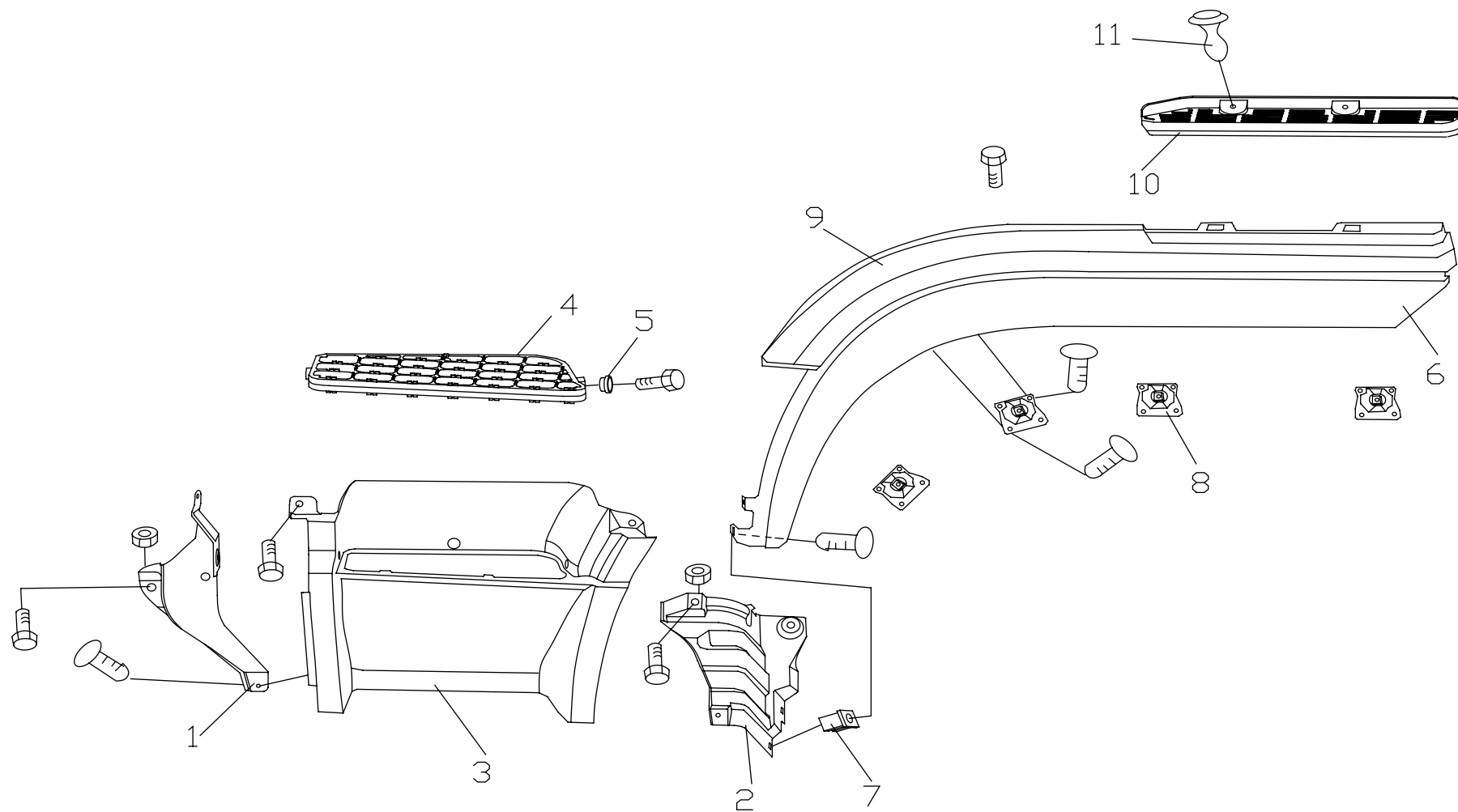
车身地板系统 / BODY FLOOR SYSTEM

51-44

| 序号<br>No. | 件号<br>Part No. | 数量<br>Quantity | 名称<br>Name   | 规格<br>Specification | 适用产品<br>Products Applied  | 备注<br>Remark |
|-----------|----------------|----------------|--|---------------------|---------------------------|--------------|
| 1         | 51B1-05081     | 1              | 左脚踏板加强板（前）<br>Pedal Stiffening Plate LH(Front)                               |                     |                           |              |
|           | 51B1-05082     | 1              | 右脚踏板加强板（前）<br>Pedal Stiffening Plate RH(Front)                               |                     |                           |              |
|           | Q1460820       | 6              | 六角头组合螺栓<br>Hexagon Head Combination Bolt                                     |                     |                           |              |
|           | Q340B08        | 6              | I 型六角头螺母<br>Hexagon Head Full Nut  |                     |                           |              |
| 2         | 51B1-05085     | 1              | 左脚踏板加强板（后）<br>Pedal Stiffening Plate LH(Rear)                                |                     |                           |              |
|           | 51B1-05086     | 1              | 右脚踏板加强板（后）<br>Pedal Stiffening Plate RH(Rear)                                |                     |                           |              |
|           | Q1460820       | 6              | 六角头组合螺栓<br>Hexagon Head Combination Bolt                                     |                     |                           |              |
|           | Q340B08        | 6              | I 型六角头螺母<br>Hexagon Head Full Nut  |                     |                           |              |
| 3         | 51A1-05037     | 1              | 左踏板护板<br>Pedal Protector LH  |                     |                           |              |
|           | 51A1-05038     | 1              | 右踏板护板<br>Pedal Protector RH  |                     |                           |              |
|           | 51A15-05037    | 1              | 左踏板护板<br>Pedal Protector LH  |                     | 窄体系列<br>Narrow Cab Series |              |
|           | 51A15-05038    | 1              | 右踏板护板<br>Pedal Protector RH  |                     | 窄体系列<br>Narrow Cab Series |              |
|           | Q1460820       | 4              | 六角头组合螺栓<br>Hexagon Head Combination Bolt                                     |                     |                           |              |
|           | Q2734813       | 4              | 十字槽大半圆头自攻螺钉<br>Cross Recessed Cup Head Self-Tapping Screw<br>With Large Head |                     |                           |              |

## 上脚踏板 / UPPER PEDAL

51-K





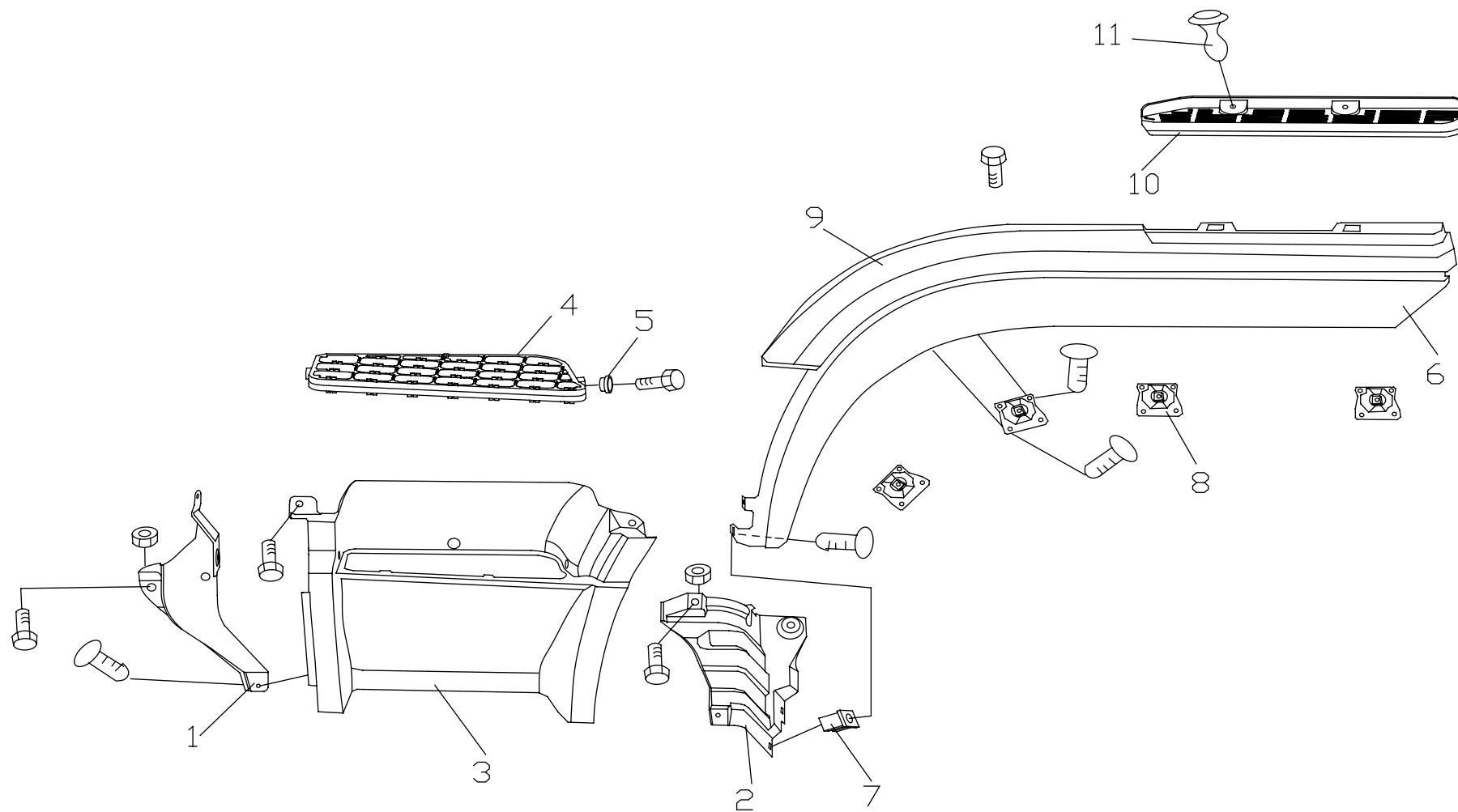
车身地板系统 / BODY FLOOR SYSTEM

51-46

| 序号<br>No. | 件号<br>Part No. | 数量<br>Quantity | 名称<br>Name   | 规格<br>Specification | 适用产品<br>Products Applied  | 备注<br>Remark |
|-----------|----------------|----------------|--|---------------------|---------------------------|--------------|
| 4         | 51A1-05039     | 2              | 上脚踏板<br>Upper Pedal  |                     |                           |              |
|           | Q1460820       | 6              | 六角头组合螺栓<br>Hexagon Head Combination Bolt                                     |                     |                           |              |
| 5         | 51A-05033      | 6              | 圆盘型塑料垫片<br>Disc Plastic Shim   |                     |                           |              |
| 6         | 51A1-05021     | 1              | 左轮弧下饰板<br>Left Wheel Cradle Lower Trim                                       |                     |                           |              |
|           | 51A1-05022     | 1              | 右轮弧下饰板<br>Right Wheel Cradle Lower Trim                                      |                     |                           |              |
|           | 51A15-05021    | 1              | 左轮弧下饰板<br>Left Wheel Cradle Lower Trim                                       |                     | 窄体系列<br>Narrow Cab Series |              |
|           | 51A15-05022    | 1              | 右轮弧下饰板<br>Right Wheel Cradle Lower Trim                                      |                     | 窄体系列<br>Narrow Cab Series |              |
|           | Q2734816       | 4              | 十字槽大半圆头自攻螺钉<br>Cross Recessed Cup Head Self-Tapping Screw<br>With Large Head |                     |                           |              |
| 7         | 51B-02018      | 4              | 方型塑料螺母 A<br>Square Plastic Nut A   |                     |                           |              |
| 8         | 51A1-05020     | 8              | 轮弧饰板支架总成<br>Wheel Cradle Trim Bracket Assembly                               |                     |                           |              |
|           | 51A15-05020    | 8              | 轮弧饰板支架总成<br>Wheel Cradle Trim Bracket Assembly                               |                     | 窄体系列<br>Narrow Cab Series |              |
|           | Q1460816       | 8              | 六角头组合螺栓<br>Hexagon Head Combination Bolt                                     |                     |                           |              |
|           | Q2725565       | 16             | 十字槽盘头自攻螺钉<br>Cross Recessed Pan Head Self-Tapping Screw                      |                     |                           |              |
|           | Q2725513       | 18             | 十字槽盘头自攻螺钉<br>Cross Recessed Pan Head Self-Tapping Screw                      |                     |                           |              |

## 上脚踏板 / UPPER PEDAL

51-K



车身地板系统 / BODY FLOOR SYSTEM

51-48

| 序号<br>No. | 件号<br>Part No. | 数量<br>Quantity | 名称<br>Name                               | 规格<br>Specification | 适用产品<br>Products Applied  | 备注<br>Remark |
|-----------|----------------|----------------|--|---------------------|---------------------------|--------------|
| 9         | 51A1-05017     | 1              | 左轮弧上饰板<br>Left Wheel Cradle Upper Trim   |                     |                           |              |
|           | 51A1-05018     | 1              | 右轮弧上饰板<br>Right Wheel Cradle Upper Trim  |                     |                           |              |
|           | 51A15-05017    | 1              | 左轮弧上饰板<br>Left Wheel Cradle Upper Trim   |                     | 窄体系列<br>Narrow Cab Series |              |
|           | 51A15-05018    | 1              | 右轮弧上饰板<br>Right Wheel Cradle Upper Trim  |                     | 窄体系列<br>Narrow Cab Series |              |
| 10        | 51A1-05031     | 1              | 左轮弧脚踏板<br>Wheel Cradle Pedal LH          |                     |                           |              |
|           | 51A1-05032     | 1              | 右轮弧脚踏板<br>Wheel Cradle Pedal RH          |                     |                           |              |
|           | 51A15-05031    | 1              | 左轮弧脚踏板<br>Wheel Cradle Pedal LH          |                     | 窄体系列<br>Narrow Cab Series |              |
|           | 51A15-05032    | 1              | 右轮弧脚踏板<br>Wheel Cradle Pedal RH          |                     | 窄体系列<br>Narrow Cab Series |              |
|           | Q1460820       | 4              | 六角头组合螺栓<br>Hexagon Head Combination Bolt |                     |                           |              |
| 11        | 82B-07057      | 4              | 塑料堵盖 A<br>Plastic Block Cover A          |                     |                           |              |



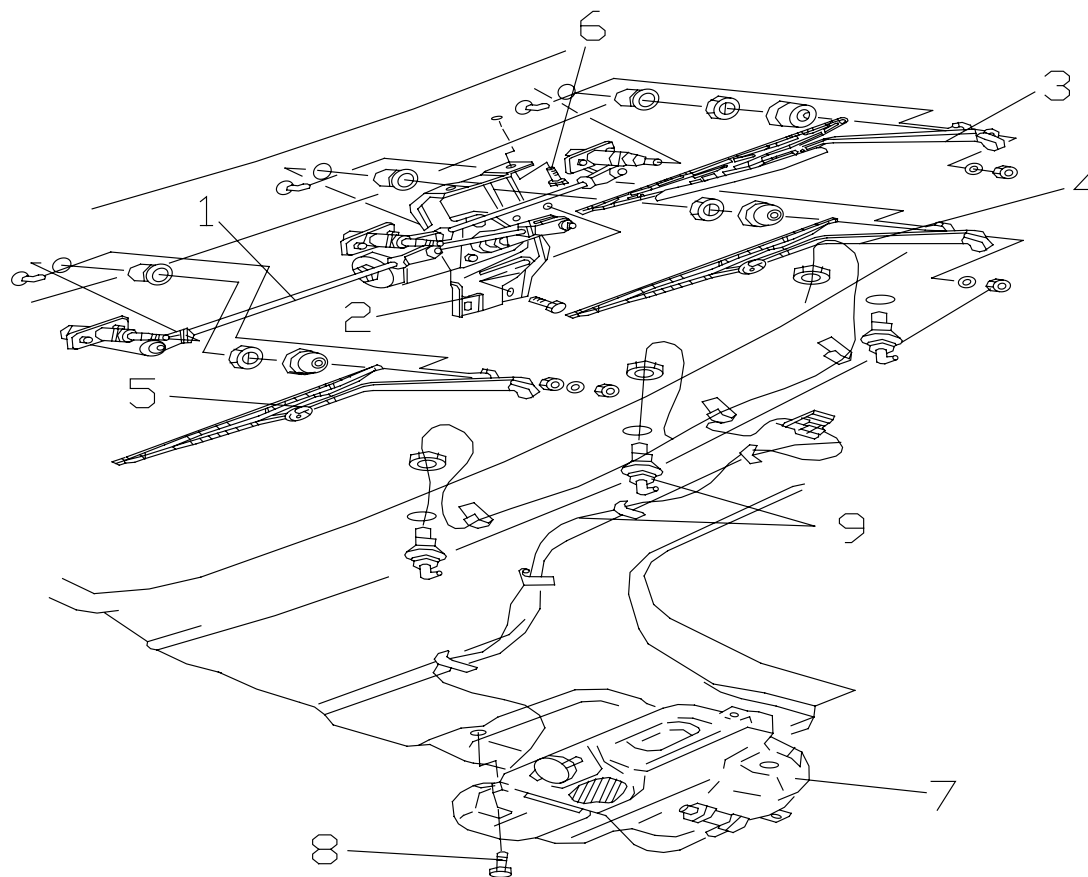
52

**风窗系统**

***WINDSHIELD SYSTEM***

## 刮水器、洗涤器 / WIPER, WASHER

52-A



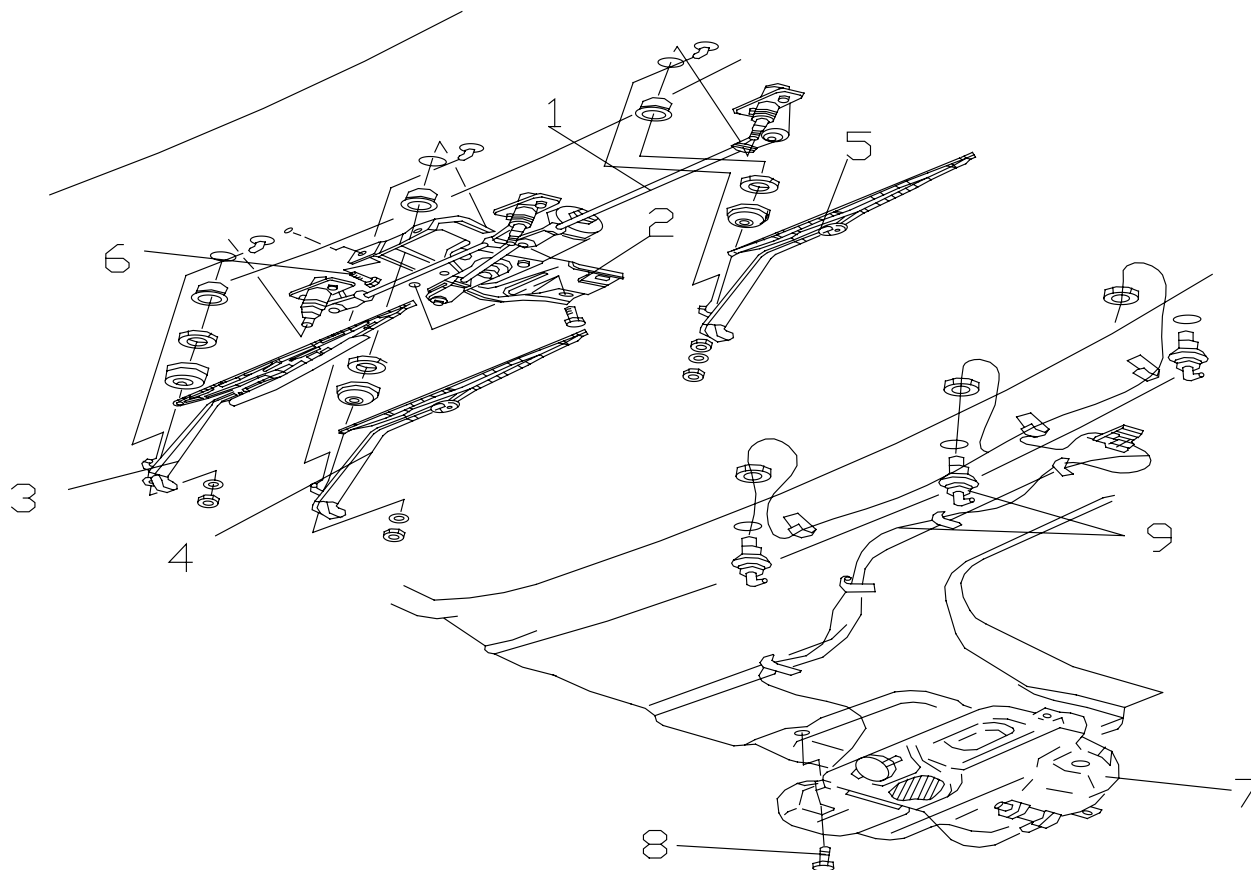
风窗系统 / WINDSHIELD SYSTEM

52-2

| 序号<br>No. | 件号<br>Part No. | 数量<br>Quantity | 名称<br>Name                                   | 规格<br>Specification | 适用产品<br>Products Applied  | 备注<br>Remark |
|-----------|----------------|----------------|--|---------------------|---------------------------|--------------|
| 1         | 5205A-013      | 1              | 传动机构总成<br>Linkage Assembly                   |                     |                           |              |
|           | 5205A5-013     | 1              | 传动机构总成<br>Linkage Assembly                   |                     | 窄体系列<br>Narrow Cab Series |              |
| 2         | 37AD-41010     | 1              | 雨刮电机总成<br>Wiper Motor Assembly               |                     |                           |              |
| 3         | 5205A-015      | 1              | 左刮刷刮臂总成<br>Wiper Arm Assembly LH             |                     |                           |              |
| 4         | 5205A-035      | 1              | 中刮刷刮臂总成<br>Middle Wiper Arm Assembly         |                     |                           |              |
|           | 5205A5-035     | 1              | 中刮刷刮臂总成<br>Middle Wiper Arm Assembly         |                     | 窄体系列<br>Narrow Cab Series |              |
| 5         | 5205A-025      | 1              | 右刮刷刮臂总成<br>Wiper Arm Assembly RH             |                     |                           |              |
| 6         | Q1460820       | 4              | 六角头组合螺栓<br>Hexagon Head Combination Bolt     |                     |                           |              |
| 7         | 5205A-045      | 1              | 洗涤剂水壶 - 带密封圈<br>Washer Tank-W/Seal Ring      |                     |                           |              |
|           | 5205A5-045     | 1              | 洗涤剂水壶 - 带密封圈<br>Washer Tank-W/Seal Ring      |                     | 窄体系列<br>Narrow Cab Series |              |
| 8         | Q1460816       | 3              | 六角头组合螺栓<br>Hexagon Head Combination Bolt     |                     |                           |              |
| 9         | 5205A-046      | 1              | 玻璃水管总成 - 带喷嘴<br>Water Pipe Assembly-W/Nozzle |                     |                           |              |
|           | 5205A5-046     | 1              | 玻璃水管总成 - 带喷嘴<br>Water Pipe Assembly-W/Nozzle |                     | 窄体系列<br>Narrow Cab Series |              |

## 刮水器、洗涤器 ( 右驾系列 ) / WIPER, WASHER (RHD SERIES)

52-B





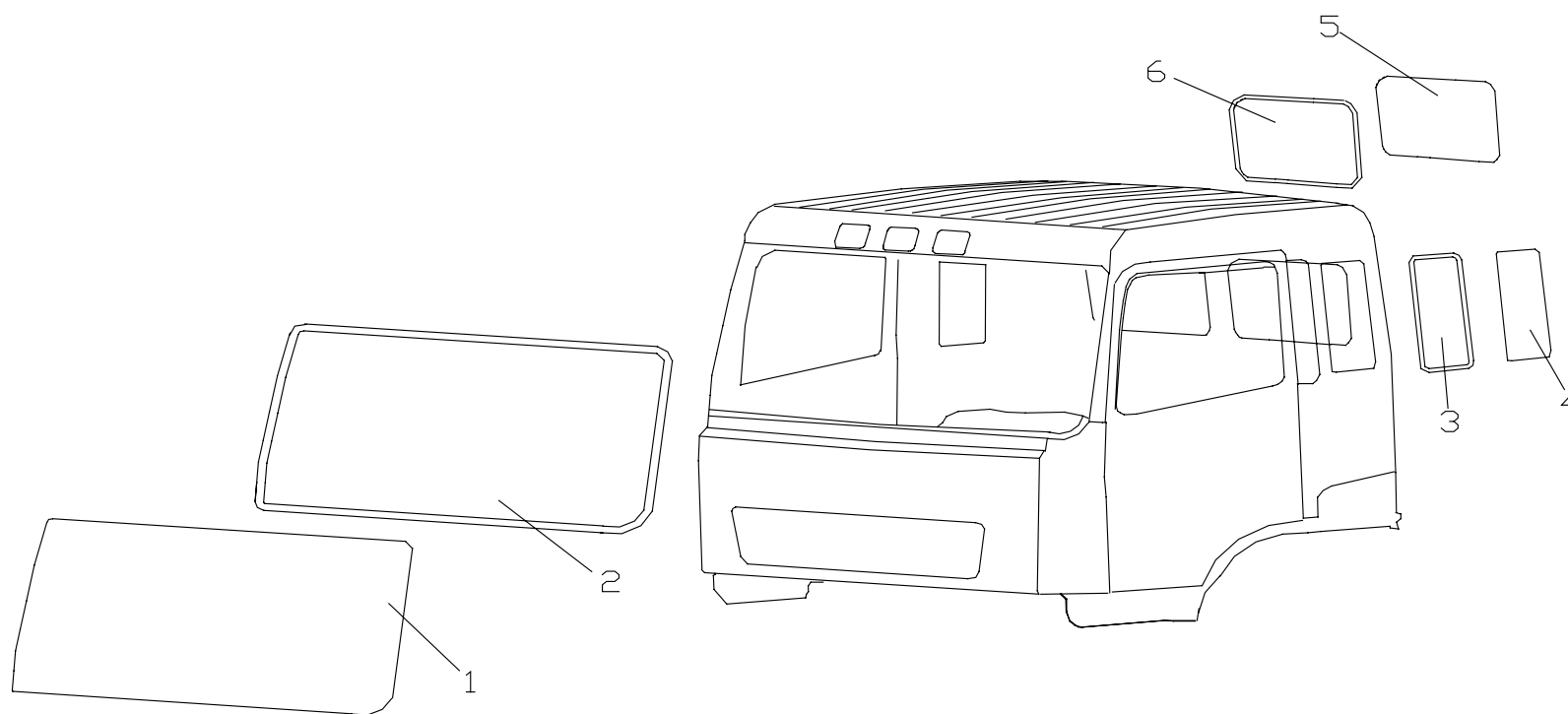
## 风窗系统 / WINDSHIELD SYSTEM

52-4

| 序号<br>No. | 件号<br>Part No. | 数量<br>Quantity | 名称<br>Name                                   | 规格<br>Specification | 适用产品<br>Products Applied | 备注<br>Remark |
|-----------|----------------|----------------|--|---------------------|--------------------------|--------------|
| 1         | 5205AY-013     | 1              | 传动机构总成<br>Linkage Assembly                   |                     | 右驾系列<br>RHD Series       |              |
| 2         | 37Y-41010      | 1              | 雨刮电机总成<br>Wiper Motor Assembly               |                     | 右驾系列<br>RHD Series       |              |
| 3         | 5205AY-015     | 1              | 左刮刷刮臂总成<br>Wiper Arm Assembly LH             |                     | 右驾系列<br>RHD Series       |              |
| 4         | 5205AY-035     | 1              | 中刮刷刮臂总成<br>Middle Wiper Arm Assembly         |                     | 右驾系列<br>RHD Series       |              |
| 5         | 5205YA-025     | 1              | 右刮刷刮臂总成<br>Wiper Arm Assembly RH             |                     | 右驾系列<br>RHD Series       |              |
| 6         | Q1460820       | 4              | 六角头组合螺栓<br>Hexagon Head Combination Bolt     |                     |                          |              |
| 7         | 5205A-045      | 1              | 洗涤剂水壶 - 带密封圈<br>Washer Tank-W/Seal Ring      |                     |                          |              |
| 8         | Q1460816       | 3              | 六角头组合螺栓<br>Hexagon Head Combination Bolt     |                     |                          |              |
| 9         | 5205A-046      | 1              | 玻璃水管总成 - 带喷嘴<br>Water Pipe Assembly-W/Nozzle |                     |                          |              |

## 驾驶室玻璃 / CAB GLASS

52-C



## 风窗系统 / WINDSHIELD SYSTEM

52-6

| 序号<br>No. | 件号<br>Part No. | 数量<br>Quantity | 名称<br>Name                              | 规格<br>Specification | 适用产品<br>Products Applied  | 备注<br>Remark |
|-----------|----------------|----------------|---|---------------------|---------------------------|--------------|
| 1         | 52A1-06021     | 1              | 前风窗玻璃<br>Front Windshield Glass         |                     |                           |              |
|           | 52A15-06021    | 1              | 前风窗玻璃<br>Front Windshield Glass         |                     | 窄体系列<br>Narrow Cab Series |              |
| 2         | 52A1-06022     | 1              | 前风窗密封条<br>Front Windshield Weatherstrip |                     |                           |              |
|           | 52A15-06022    | 1              | 前风窗密封条<br>Front Windshield Weatherstrip |                     | 窄体系列<br>Narrow Cab Series |              |
| 3         | 54B1-03011     | 1              | 左侧窗玻璃<br>Side Window Glass LH           |                     |                           |              |
|           | 54B1-03012     | 1              | 右侧窗玻璃<br>Side Window Glass RH           |                     |                           |              |
| 4         | 54B1-03015     | 1              | 左侧窗密封条<br>Side Window Weatherstrip LH   |                     |                           |              |
|           | 54B1-03016     | 1              | 右侧窗密封条<br>Side Window Weatherstrip RH   |                     |                           |              |
| 5         | 56B1-03011     | 1              | 后风窗左玻璃<br>Rear Windshield Glass LH      |                     |                           |              |
|           | 56B1-03012     | 1              | 后风窗右玻璃<br>Rear Windshield Glass RH      |                     |                           |              |
|           | 56B15-03011    | 1              | 后风窗左玻璃<br>Rear Windshield Glass LH      |                     | 窄体系列<br>Narrow Cab Series |              |
|           | 56B15-03012    | 1              | 后风窗右玻璃<br>Rear Windshield Glass RH      |                     | 窄体系列<br>Narrow Cab Series |              |
| 6         | 56B1-03016     | 2              | 后风窗密封条<br>Rear Windshield Weatherstrip  |                     |                           |              |
|           | 56B15-03016    | 2              | 后风窗密封条<br>Rear Windshield Weatherstrip  |                     | 窄体系列<br>Narrow Cab Series |              |



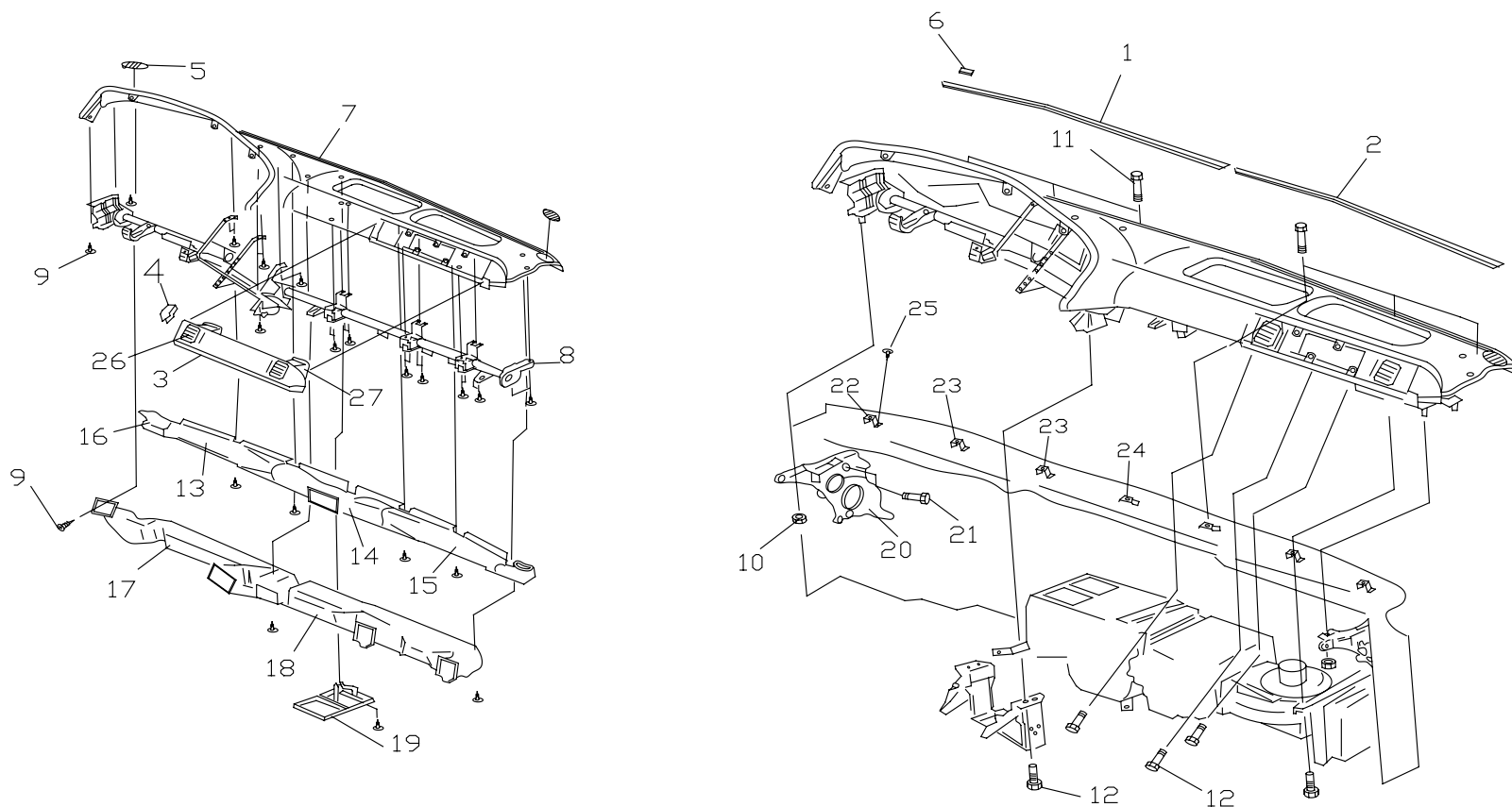
53

**前围系统**

***FRONT-WALL SYSTEM***

## 驾驶室仪表板 / CAB DASHBOARD

## 53-A



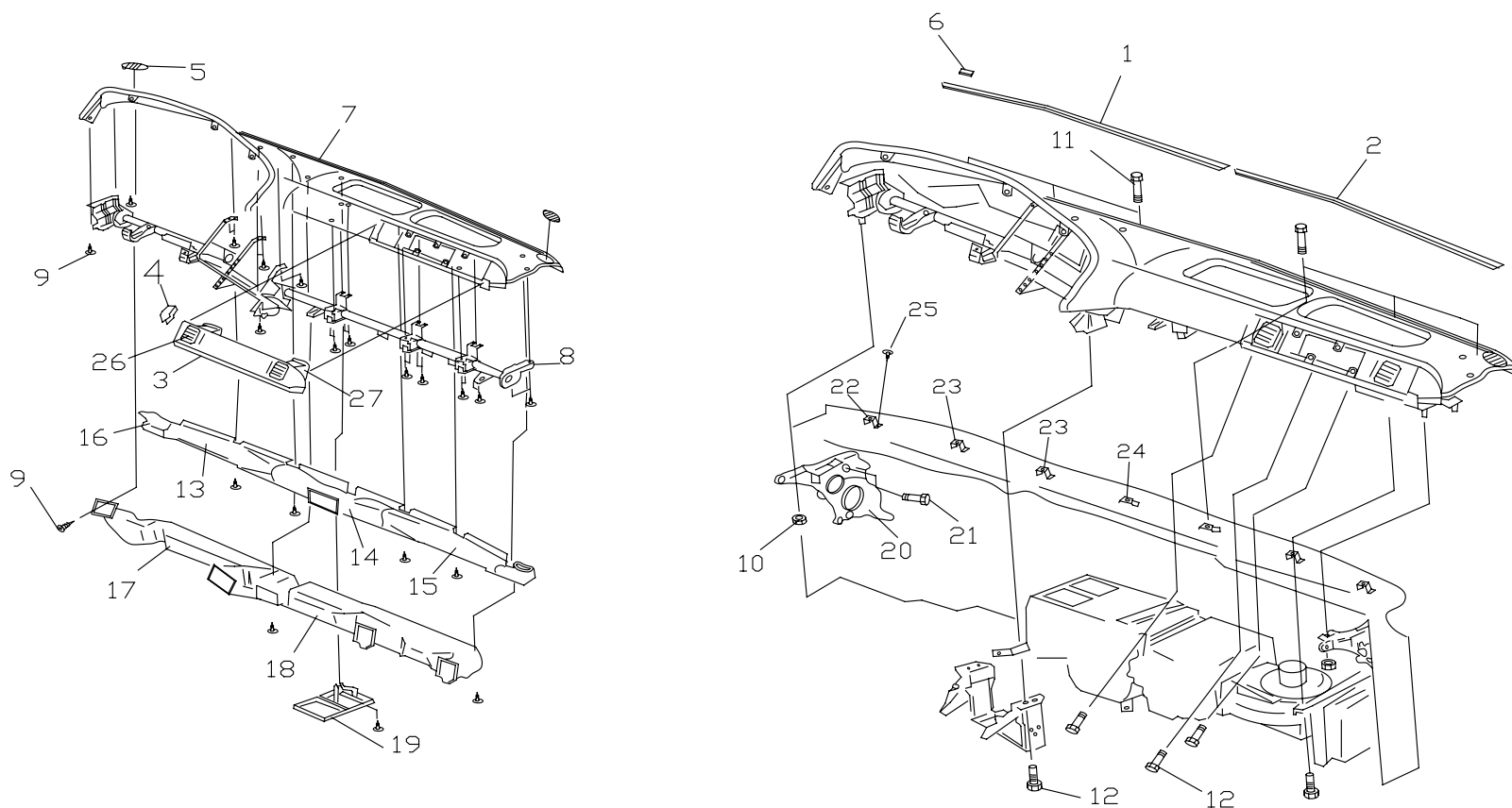
## 前围系统 / FRONT-WALL SYSTEM

53-2

| 序号<br>No. | 件号<br>Part No. | 数量<br>Quantity | 名称<br>Name                                | 规格<br>Specification | 适用产品<br>Products Applied  | 备注<br>Remark |
|-----------|----------------|----------------|---|---------------------|---------------------------|--------------|
| 1         | 53A-05121      | 1              | 仪表板左除霜出风口<br>Dashboard Defroster Vent LH  |                     |                           |              |
|           | 53A5-05121     | 1              | 仪表板左除霜出风口<br>Dashboard Defroster Vent LH  |                     | 窄体系列<br>Narrow Cab Series |              |
| 2         | 53A-05122      | 1              | 仪表板右除霜出风口<br>Dashboard Defroster Vent RH  |                     |                           |              |
|           | 53A5-05122     | 1              | 仪表板右除霜出风口<br>Dashboard Defroster Vent RH  |                     | 窄体系列<br>Narrow Cab Series |              |
| 3         | 53A-05140      | 1              | 右侧通风面板总成<br>Ventilation Panel Assembly RH |                     |                           |              |
|           | 53A5-05140     | 1              | 右侧通风面板总成<br>Ventilation Panel Assembly RH |                     | 窄体系列<br>Narrow Cab Series |              |
| 4         | 53A-05147      | 9              | 弹簧卡扣 A<br>Spring Buckle A                 |                     |                           |              |
| 5         | 53A-05131      | 1              | 仪表板左前出风口<br>Dashboard Front Vent LH       |                     |                           |              |
|           | 53A-05132      | 1              | 仪表板右前出风口<br>Dashboard Front Vent RH       |                     |                           |              |
| 6         | 53A-05123      | 1              | 光感器孔盖<br>Light Sensor Hole Cover          |                     |                           |              |
| 7         | 53A-05110      | 1              | 仪表板本体总成<br>Dashboard Body Assembly        |                     |                           |              |
|           | 53A5-05110     | 1              | 仪表板本体总成<br>Dashboard Body Assembly        |                     | 窄体系列<br>Narrow Cab Series |              |
| 8         | 53A-01405      | 1              | 仪表板下梁总成<br>Dashboard Lower Beam Assembly  |                     |                           |              |
|           | 53A5-01405     | 1              | 仪表板下梁总成<br>Dashboard Lower Beam Assembly  |                     | 窄体系列<br>Narrow Cab Series |              |

## 驾驶室仪表板 / CAB DASHBOARD

## 53-A





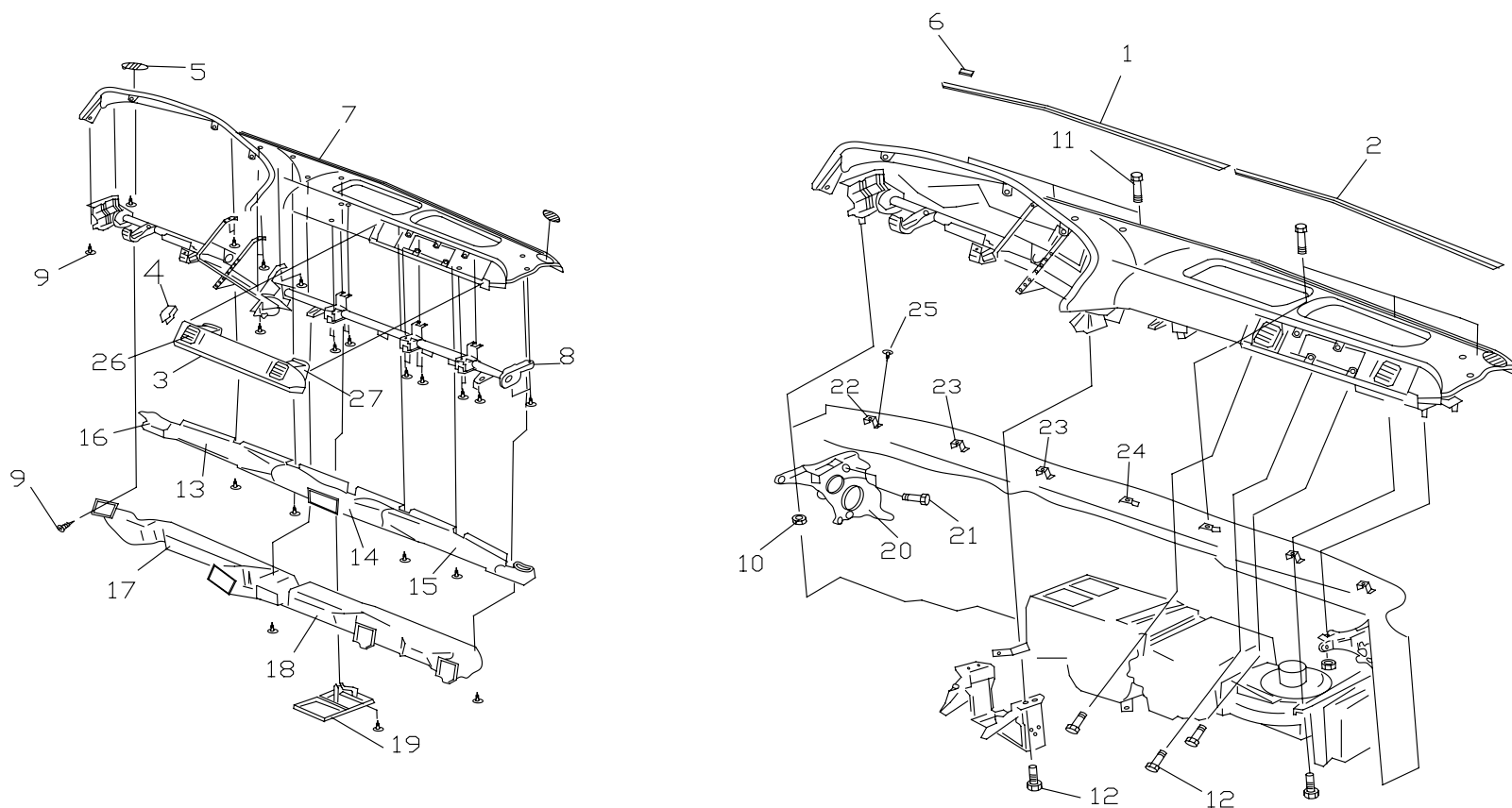
## 前围系统 / FRONT-WALL SYSTEM

53-4

| 序号<br>No. | 件号<br>Part No. | 数量<br>Quantity | 名称<br>Name   | 规格<br>Specification | 适用产品<br>Products Applied  | 备注<br>Remark |
|-----------|----------------|----------------|--|---------------------|---------------------------|--------------|
| 9         | Q2734816       | 31             | 十字槽大半圆头自攻螺钉<br>Cross Recessed Cup Head Self-Tapping Screw<br>With Large Head |                     |                           |              |
| 10        | Q32008         | 5              | 六角法兰面螺母<br>Hexagon Nut With Flange   |                     |                           |              |
| 11        | 53A-05108      | 1              | 仪表板固定螺栓—风窗下<br>Dashboard Fixing Bolt-Below Windshield                        |                     |                           |              |
| 12        | Q1460816       | 8              | 六角头组合螺栓<br>Hexagon Head Combination Bolt                                     |                     |                           |              |
| 13        | 81A-13013      | 1              | 左除霜喷嘴<br>Defroster Nozzle LH   |                     |                           |              |
|           | 81A-13013      | 1              | 左除霜喷嘴<br>Defroster Nozzle LH   |                     | 窄体系列<br>Narrow Cab Series |              |
| 14        | 81A5-13015     | 1              | 中除霜喷嘴<br>Middle Defroster Nozzle   |                     |                           |              |
|           | 81A5-13015     | 1              | 中除霜喷嘴<br>Middle Defroster Nozzle   |                     | 窄体系列<br>Narrow Cab Series |              |
| 15        | 81A-13014      | 1              | 右除霜喷嘴<br>Defroster Nozzle RH   |                     |                           |              |
|           | 81A5-13014     | 1              | 右除霜喷嘴<br>Defroster Nozzle RH   |                     | 窄体系列<br>Narrow Cab Series |              |
| 16        | 81A-13011      | 1              | 左车门除霜喷嘴<br>Door Defroster Nozzle LH  |                     |                           |              |
|           | 81A-13012      | 1              | 右车门除霜喷嘴<br>Door Defroster Nozzle RH  |                     |                           |              |
| 17        | 81A-13021      | 1              | 司机脸部送风管<br>Driver Face Blast Pipe  |                     |                           |              |
| 18        | 81A-13022      | 1              | 乘客脸部送风管<br>Passenger Face Blast Pipe   |                     |                           |              |

## 驾驶室仪表板 / CAB DASHBOARD

## 53-A



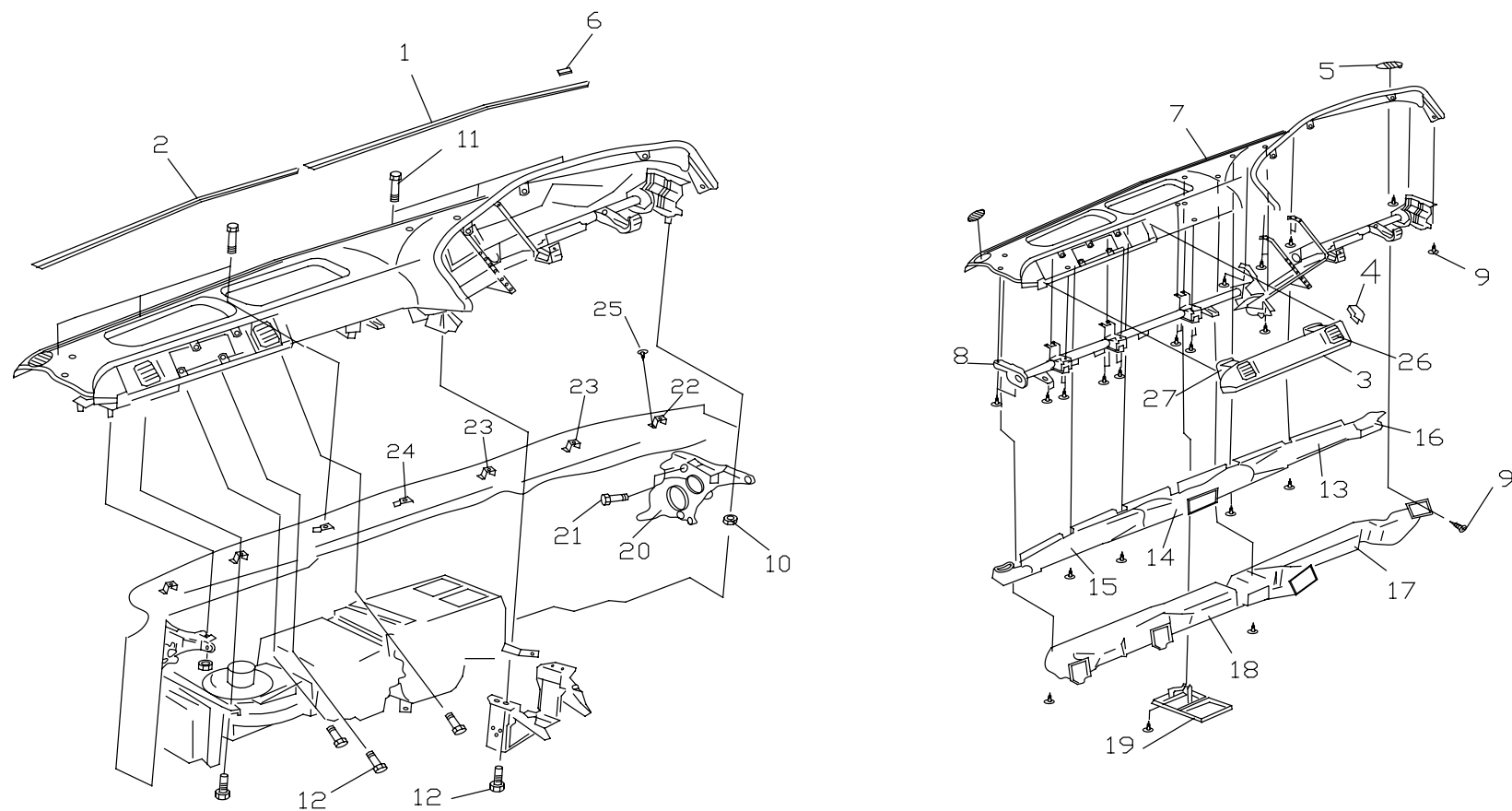
## 前围系统 / FRONT-WALL SYSTEM

53-6

| 序号<br>No. | 件号<br>Part No. | 数量<br>Quantity | 名称<br>Name   | 规格<br>Specification | 适用产品<br>Products Applied  | 备注<br>Remark |
|-----------|----------------|----------------|--|---------------------|---------------------------|--------------|
| 18        | 81A5-13022     | 1              | 乘客脸部送风管<br>Passenger Face Blast Pipe   |                     | 窄体系列<br>Narrow Cab Series |              |
| 19        | 81A-13040      | 1              | 暖风输送管连接板总成<br>Warm Air Supply Pipe Connecting Plate Assembly                 |                     |                           |              |
| 20        | 53A1-01487     | 1              | 仪表板左支架<br>Dashboard Bracket LH   |                     |                           |              |
|           | 53A1-01488     | 1              | 仪表板右支架<br>Dashboard Bracket RH   |                     |                           |              |
| 21        | Q1460830       | 8              | 六角头组合螺栓<br>Hexagon Head Combination Bolt                                     |                     |                           |              |
| 22        | 53A-01307      | 2              | 仪表板支架总成 - I<br>Dashboard Bracket Assembly- I                                 |                     |                           |              |
| 23        | 53A-01311      | 4              | 仪表板支架总成 - II<br>Dashboard Bracket Assembly- II                               |                     |                           |              |
| 24        | 53A-01313      | 4              | 仪表板支架总成 - III<br>Dashboard Bracket Assembly- III                             |                     |                           |              |
| 25        | Q2733512       | 14             | 十字槽大半圆头自攻螺钉<br>Cross Recessed Cup Head Self-Tapping Screw<br>With Large Head |                     |                           |              |
| 26        | 53A-05143      | 1              | 右侧通风面板左出风口总成<br>Right Ventilation Panel Vent LH Assembly                     |                     |                           |              |
| 27        | 53A-05144      | 1              | 右侧通风面板右出风口总成<br>Right Ventilation Panel Vent RH Assembly                     |                     |                           |              |

## 右驾驶室仪表板 / CAB DASHBOARD FOR RHD

53-B



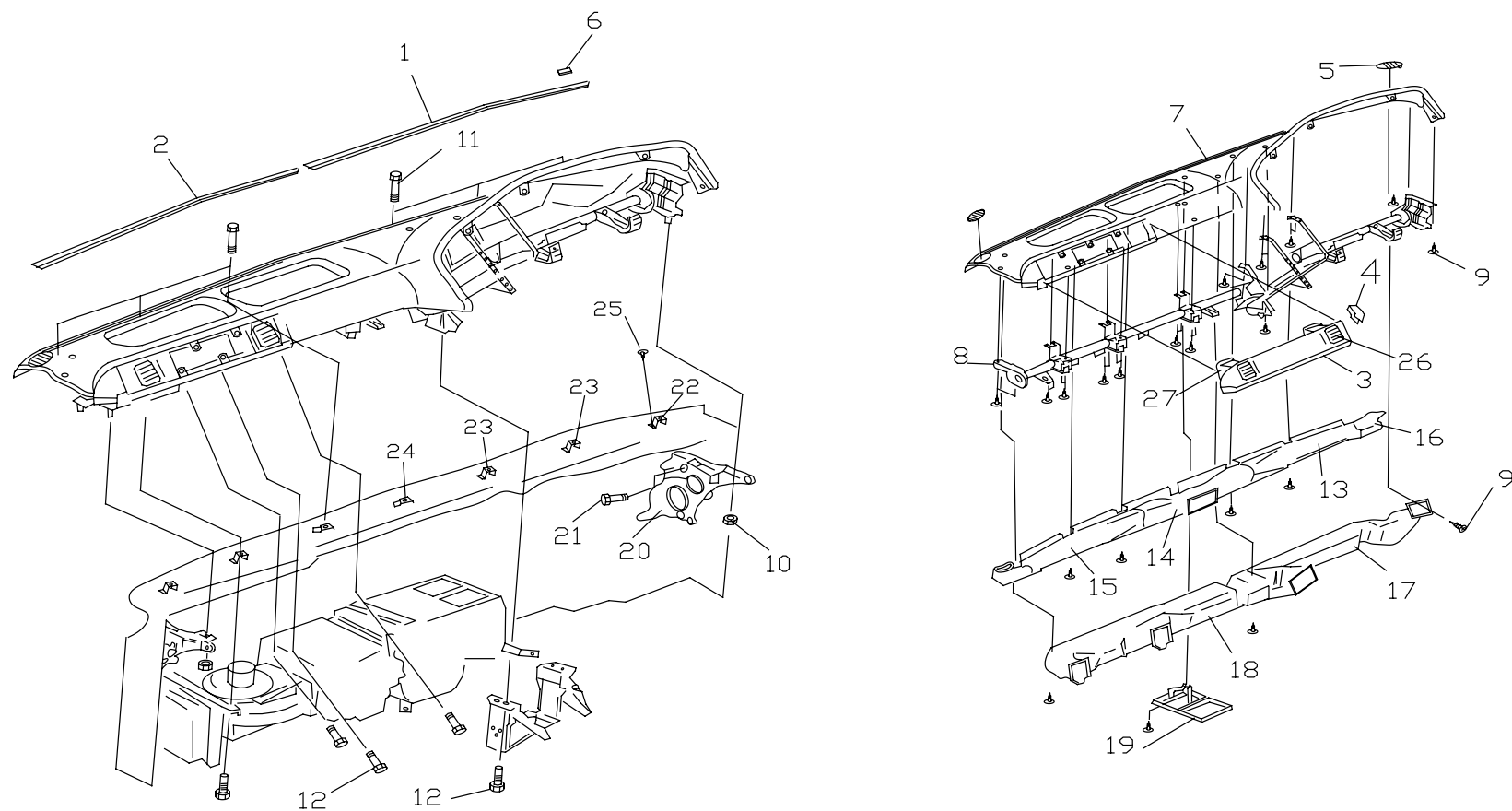
## 前围系统 / FRONT-WALL SYSTEM

53-8

| 序号<br>No. | 件号<br>Part No. | 数量<br>Quantity | 名称<br>Name   | 规格<br>Specification | 适用产品<br>Products Applied | 备注<br>Remark |
|-----------|----------------|----------------|--|---------------------|--------------------------|--------------|
| 1         | 53A-05121      | 1              | 仪表板左除霜出风口<br>Dashboard Defroster Vent LH                                     |                     |                          |              |
| 2         | 53A-05122      | 1              | 仪表板右除霜出风口<br>Dashboard Defroster Vent RH                                     |                     | 右驾系列<br>RHD Series       |              |
| 3         | 53AY-05140     | 1              | 右侧通风面板总成<br>Ventilation Panel Assembly RH                                    |                     |                          |              |
| 4         | 53A-05147      | 9              | 弹簧卡扣 A<br>Spring Buckle A  |                     |                          |              |
| 5         | 53A-05131      | 1              | 仪表板左前出风口<br>Dashboard Front Vent LH  |                     |                          |              |
|           | 53A-05132      | 1              | 仪表板右前出风口<br>Dashboard Front Vent RH  |                     |                          |              |
| 6         | 53A-05123      | 1              | 光感器孔盖<br>Light Sensor Hole Cover   |                     |                          |              |
| 7         | 53AY-05110     | 1              | 仪表板本体总成<br>Dashboard Body Assembly   |                     | 右驾系列<br>RHD Series       |              |
| 8         | 53AY-01405     | 1              | 仪表板下梁总成<br>Dashboard Lower Beam Assembly                                     |                     | 右驾系列<br>RHD Series       |              |
| 9         | Q2734816       | 31             | 十字槽大半圆头自攻螺钉<br>Cross Recessed Cup Head Self-Tapping Screw<br>With Large Head |                     |                          |              |
| 10        | Q32008         | 5              | 六角法兰面螺母<br>Hexagon Nut With Flange   |                     |                          |              |
| 11        | 53A-05108      | 1              | 仪表板固定螺栓 - 风窗下<br>Dashboard Fixing Bolt-Below Windshield                      |                     |                          |              |
| 12        | Q1460816       | 8              | 六角头组合螺栓<br>Hexagon Head Combination Bolt                                     |                     |                          |              |
| 13        | 81A-13013      | 1              | 左除霜喷嘴<br>Defroster Nozzle LH   |                     |                          |              |

## 右驾驶室仪表板 / CAB DASHBOARD FOR RHD

53-B



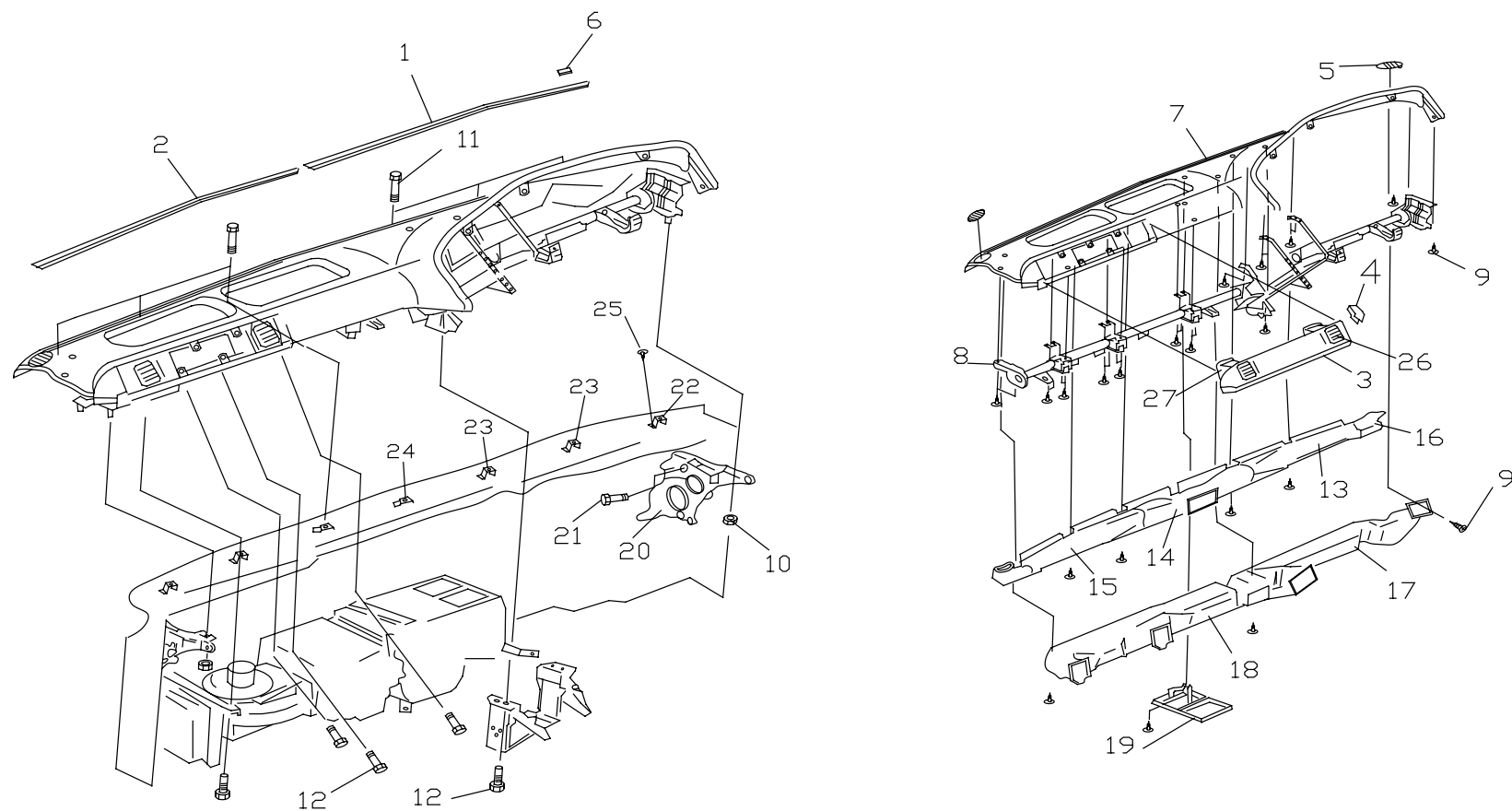
## 前围系统 / FRONT-WALL SYSTEM

53-10

| 序号<br>No. | 件号<br>Part No. | 数量<br>Quantity | 名称<br>Name   | 规格<br>Specification | 适用产品<br>Products Applied | 备注<br>Remark |
|-----------|----------------|----------------|--|---------------------|--------------------------|--------------|
| 14        | 81A-13015      | 1              | 中除霜喷嘴<br>Middle Defroster Nozzle   |                     |                          |              |
| 15        | 81A-13014      | 1              | 右除霜喷嘴<br>Defroster Nozzle RH   |                     |                          |              |
| 16        | 81A-13011      | 1              | 左车门除霜喷嘴<br>Door Defroster Nozzle LH  |                     |                          |              |
|           | 81A-13012      | 1              | 右车门除霜喷嘴<br>Door Defroster Nozzle RH  |                     |                          |              |
| 17        | 81AY-13021     | 1              | 司机脸部送风管<br>Driver Face Blast Pipe  |                     | 右驾系列<br>RHD Series       |              |
| 18        | 81AY-13022     | 1              | 乘客脸部送风管<br>Passenger Face Blast Pipe   |                     | 右驾系列<br>RHD Series       |              |
| 19        | 81A-13040      | 1              | 暖风输送管连接板总成<br>Warm Air Supply Pipe Connecting Plate Assembly                 |                     |                          |              |
| 20        | 53A1-01487     | 1              | 仪表板左支架<br>Dashboard Bracket LH   |                     |                          |              |
|           | 53A1-01488     | 1              | 仪表板右支架<br>Dashboard Bracket RH   |                     |                          |              |
| 21        | Q1460830       | 8              | 六角头组合螺栓<br>Hexagon Head Combination Bolt                                     |                     |                          |              |
| 22        | 53A-01307      | 2              | 仪表板支架总成 - I<br>Dashboard Bracket Assembly- I                                 |                     |                          |              |
| 23        | 53A-01311      | 4              | 仪表板支架总成 - II<br>Dashboard Bracket Assembly- II                               |                     |                          |              |
| 24        | 53A-01313      | 4              | 仪表板支架总成 - III<br>Dashboard Bracket Assembly- III                             |                     |                          |              |
| 25        | Q2733512       | 14             | 十字槽大半圆头自攻螺钉<br>Cross Recessed Cup Head Self-Tapping Screw<br>With Large Head |                     |                          |              |

## 右驾驶室仪表板 / CAB DASHBOARD FOR RHD

53-B





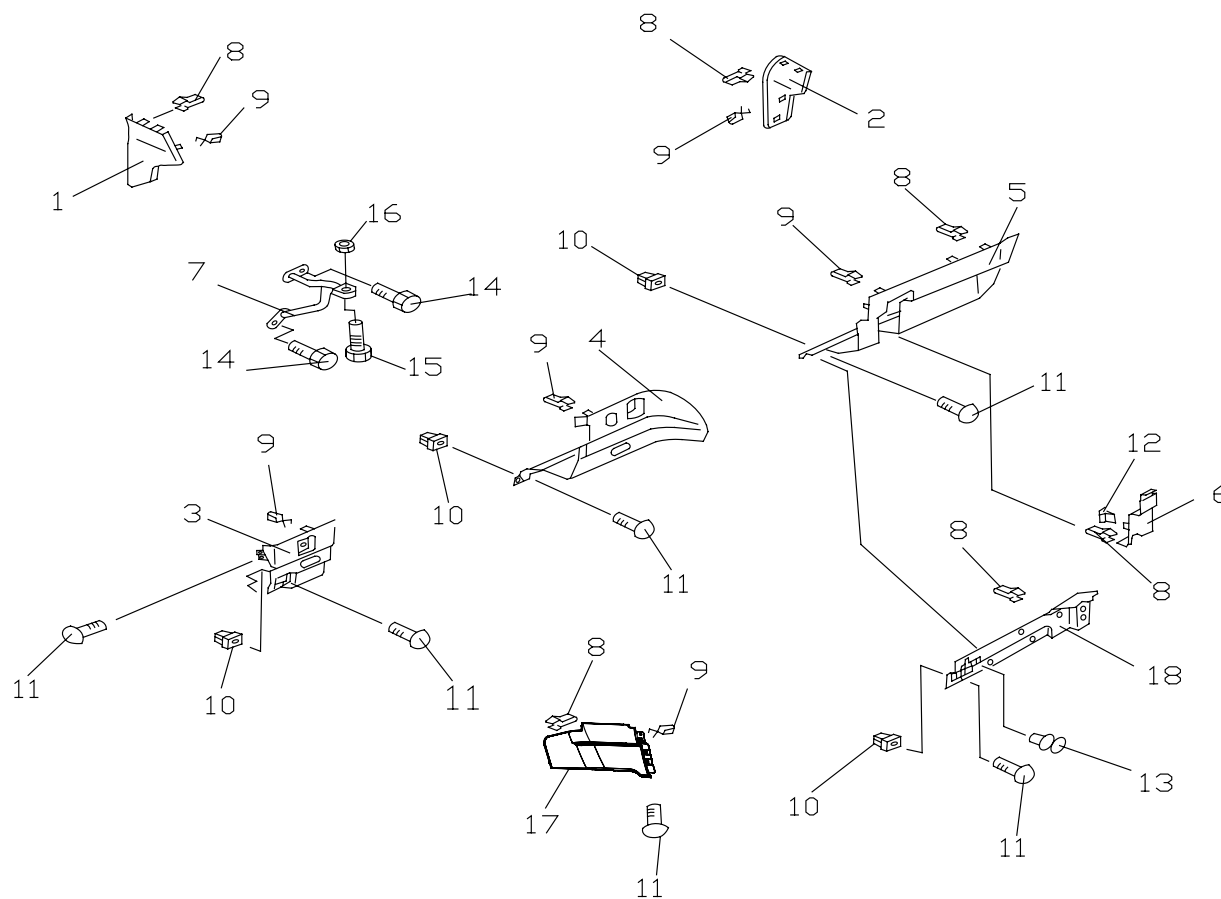
## 前围系统 / FRONT-WALL SYSTEM

53-12

| 序号<br>No. | 件号<br>Part No. | 数量<br>Quantity | 名称<br>Name   | 规格<br>Specification | 适用产品<br>Products Applied | 备注<br>Remark |
|-----------|----------------|----------------|--|---------------------|--------------------------|--------------|
| 26        | 53A-05143      | 1              | 右侧通风面板左出风口总成<br>Right Ventilation Panel Vent LH Assembly |                     |                          |              |
| 27        | 53A-05144      | 1              | 右侧通风面板右出风口总成<br>Right Ventilation Panel Vent RH Assembly |                     |                          |              |

## 驾驶室前内护板 / CAB FRONT INNER SHIELD

53-C



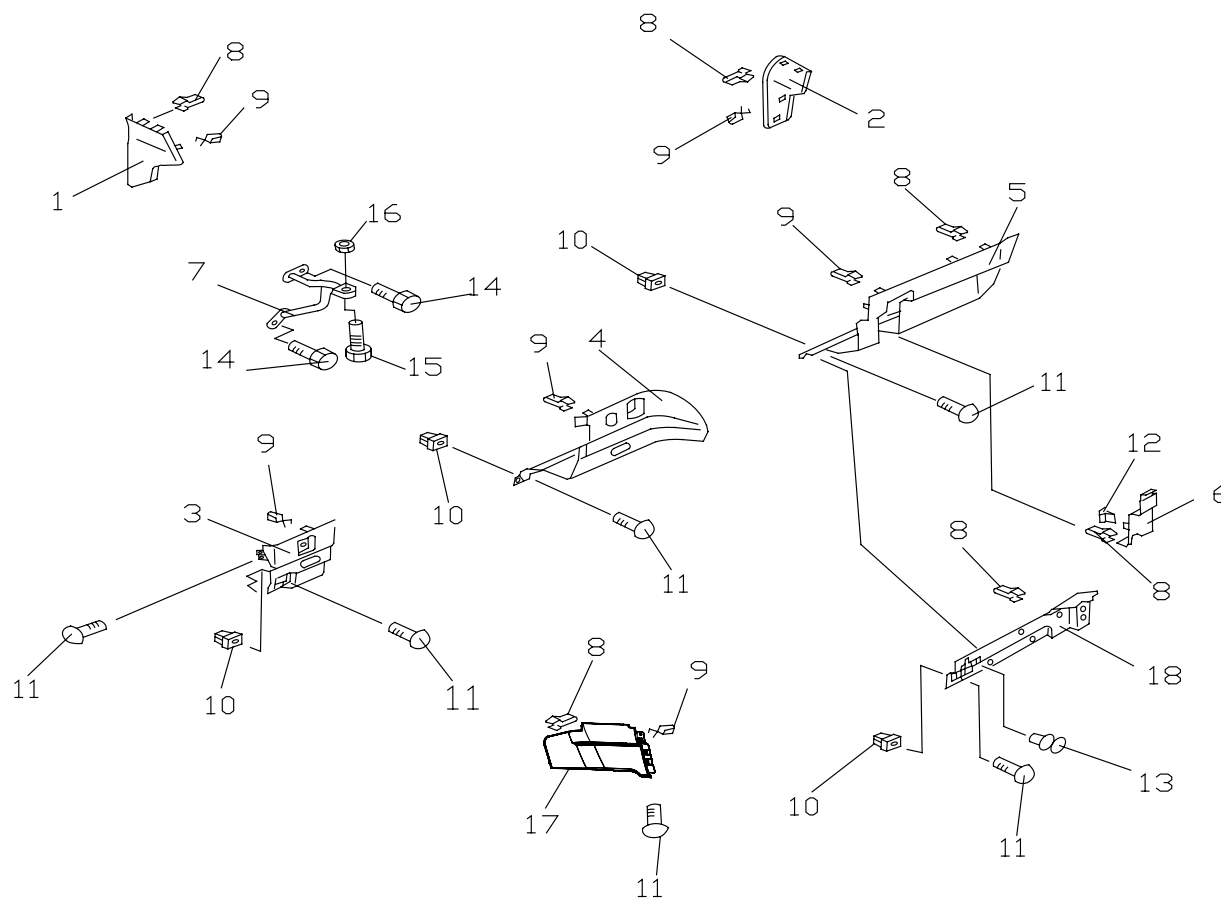
## 前围系统 / FRONT-WALL SYSTEM

53-14

| 序号<br>No. | 件号<br>Part No. | 数量<br>Quantity | 名称<br>Name   | 规格<br>Specification | 适用产品<br>Products Applied | 备注<br>Remark |
|-----------|----------------|----------------|--|---------------------|--------------------------|--------------|
| 1         | 53A-05145      | 1              | 左侧护盖<br>Protecting Cover LH  |                     |                          |              |
| 2         | 53A-05146      | 1              | 右侧护盖<br>Protecting Cover LH  |                     |                          |              |
| 3         | 53A-05165      | 1              | 转向柱左下护板<br>Column Lower Shield LH  |                     |                          |              |
| 4         | 53A-05158      | 1              | 中护板<br>Middle Shield   |                     |                          |              |
| 5         | 53A-05150      | 1              | 右护板<br>Shield RH   |                     |                          |              |
| 6         | 53A-05151      | 1              | 右护板饰盖<br>Shield Protecting Cover LH  |                     |                          |              |
| 7         | 53A1-01490     | 1              | 仪表板中支架总成<br>Dashboard Middle Bracket Assembly                                |                     |                          |              |
| 8         | 53A-05147      | 16             | 弹簧卡扣 A<br>Spring Buckle A  |                     |                          |              |
| 9         | 53A-05148      | 10             | 弹簧卡扣 B<br>Spring Buckle B  |                     |                          |              |
| 10        | 53A-01347      | 11             | 方型塑料螺母 D<br>Square Plastic Nut D   |                     |                          |              |
| 11        | Q2734816       | 11             | 十字槽大半圆头自攻螺钉<br>Cross Recessed Cup Head Self-Tapping Screw<br>With Large Head |                     |                          |              |
| 12        | 53A-03023      | 2              | 弹簧卡扣 D<br>Spring Buckle D  |                     |                          |              |
| 13        | 82B-07044      | 3              | 圆型塑料螺母 A<br>Round Plastic Nut A  |                     |                          |              |
| 14        | Q1460816       | 2              | 六角头组合螺栓<br>Hexagon Head Combination Bolt                                     |                     |                          |              |

## 驾驶室前内护板 / CAB FRONT INNER SHIELD

53-C



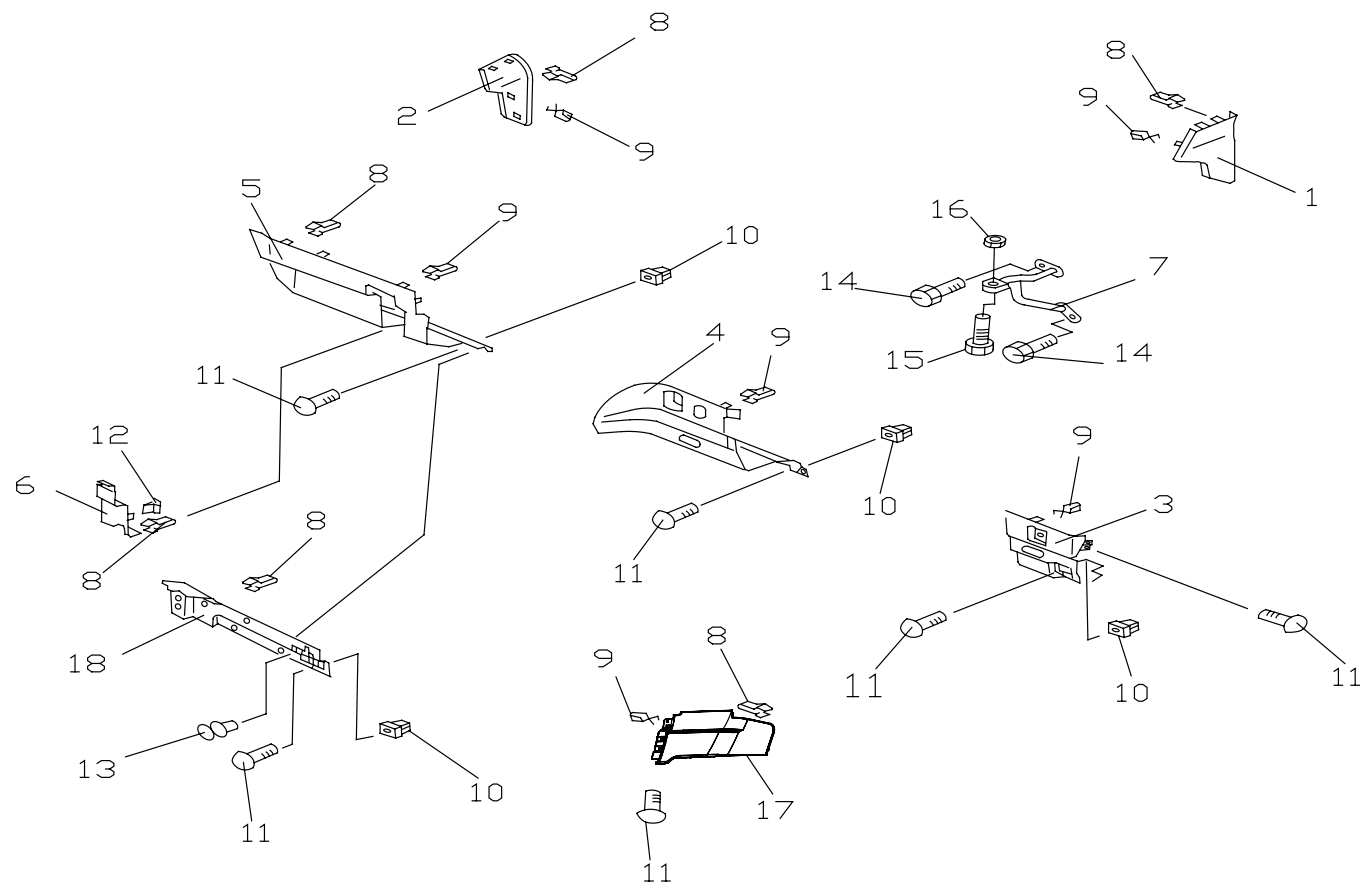
## 前围系统 / FRONT-WALL SYSTEM

53-16

| 序号<br>No. | 件号<br>Part No. | 数量<br>Quantity | 名称<br>Name                                  | 规格<br>Specification | 适用产品<br>Products Applied | 备注<br>Remark |
|-----------|----------------|----------------|---|---------------------|--------------------------|--------------|
| 15        | Q1460835       | 1              | 六角头组合螺栓<br>Hexagon Head Combination Bolt    |                     |                          |              |
| 16        | Q32008         | 1              | 六角法兰面螺母<br>Hexagon Nut With Flange          |                     |                          |              |
| 17        | 53A-05162      | 1              | 后置物盒右侧护板<br>Rear Storage Box Side Shield RH |                     |                          |              |
| 18        | 53A-05155      | 1              | 右下护板<br>Lower Shield RH                     |                     |                          |              |

## 右驾驾驶室前内护板 / CAB FRONT INNER SHIELD FOR RHD

53-D



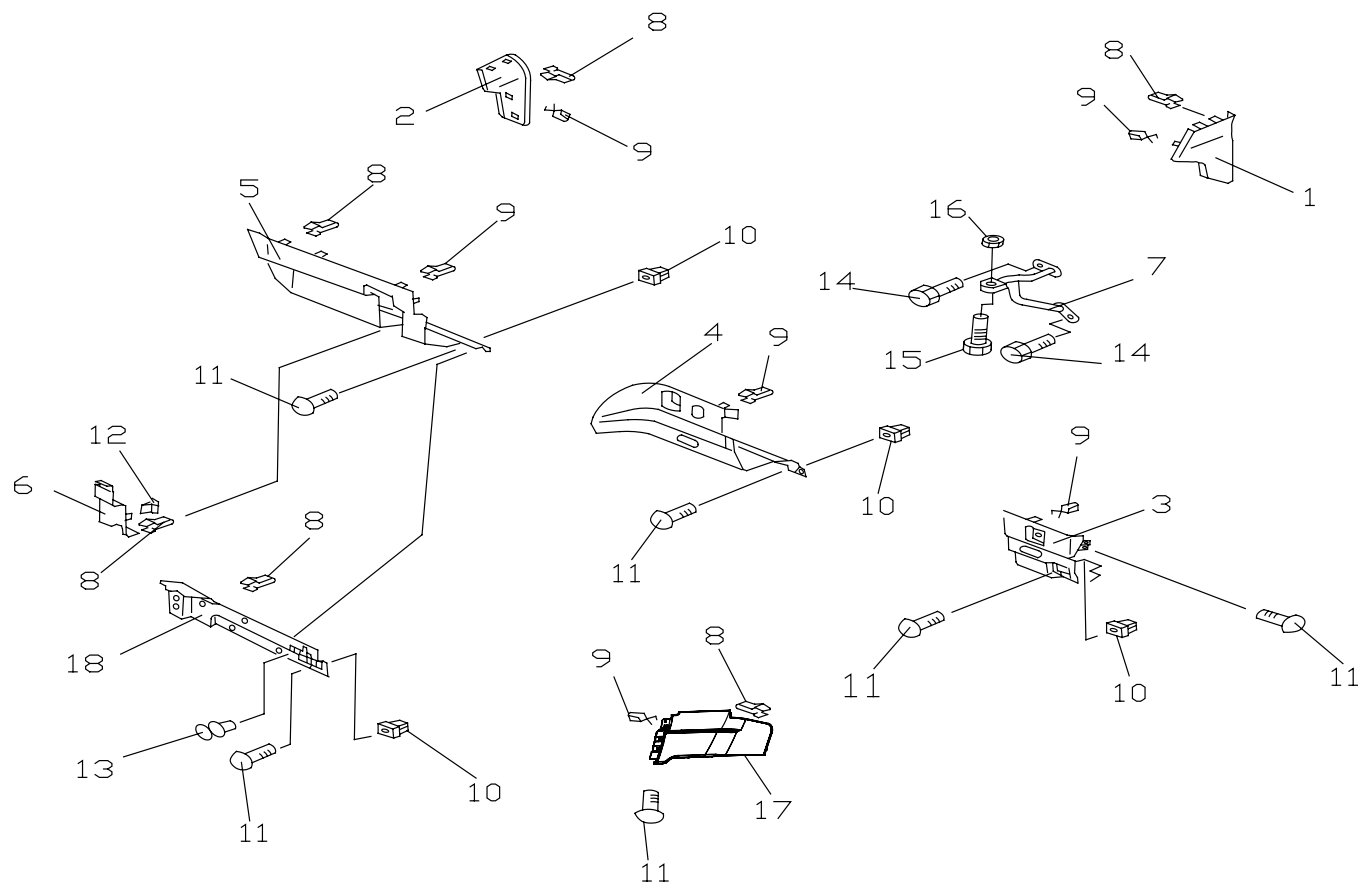
## 前围系统 / FRONT-WALL SYSTEM

53-18

| 序号<br>No. | 件号<br>Part No. | 数量<br>Quantity | 名称<br>Name   | 规格<br>Specification | 适用产品<br>Products Applied | 备注<br>Remark |
|-----------|----------------|----------------|--|---------------------|--------------------------|--------------|
| 1         | 53AY-05145     | 1              | 左侧护盖<br>Protecting Cover LH  |                     | 右驾系列<br>RHD Series       |              |
| 2         | 53AY-05146     | 1              | 右侧护盖<br>Protecting Cover LH  |                     | 右驾系列<br>RHD Series       |              |
| 3         | 53AY-05165     | 1              | 转向柱左下护板<br>Column Lower Shield LH  |                     | 右驾系列<br>RHD Series       |              |
| 4         | 53AY-05158     | 1              | 中护板<br>Middle Shield   |                     | 右驾系列<br>RHD Series       |              |
| 5         | 53AY-05150     | 1              | 右护板<br>Shield RH   |                     | 右驾系列<br>RHD Series       |              |
| 6         | 53A-05151      | 1              | 右护板饰盖<br>Shield Protecting Cover LH  |                     |                          |              |
| 7         | 53A1Y-01490    | 1              | 仪表板中支架总成<br>Dashboard Middle Bracket Assembly                                |                     | 右驾系列<br>RHD Series       |              |
| 8         | 53A-05147      | 16             | 弹簧卡扣 A<br>Spring Buckle A  |                     |                          |              |
| 9         | 53A-05148      | 10             | 弹簧卡扣 B<br>Spring Buckle B  |                     |                          |              |
| 10        | 53A-01347      | 11             | 方型塑料螺母 D<br>Square Plastic Nut D   |                     |                          |              |
| 11        | Q2734816       | 11             | 十字槽大半圆头自攻螺钉<br>Cross Recessed Cup Head Self-Tapping Screw<br>With Large Head |                     |                          |              |
| 12        | 53A-03023      | 2              | 弹簧卡扣 D<br>Spring Buckle D  |                     |                          |              |
| 13        | 82B-07044      | 3              | 圆型塑料螺母 A<br>Round Plastic Nut A  |                     |                          |              |
| 14        | Q1460816       | 2              | 六角头组合螺栓<br>Hexagon Head Combination Bolt                                     |                     |                          |              |

## 右驾驾驶室前内护板 / CAB FRONT INNER SHIELD FOR RHD

53-D





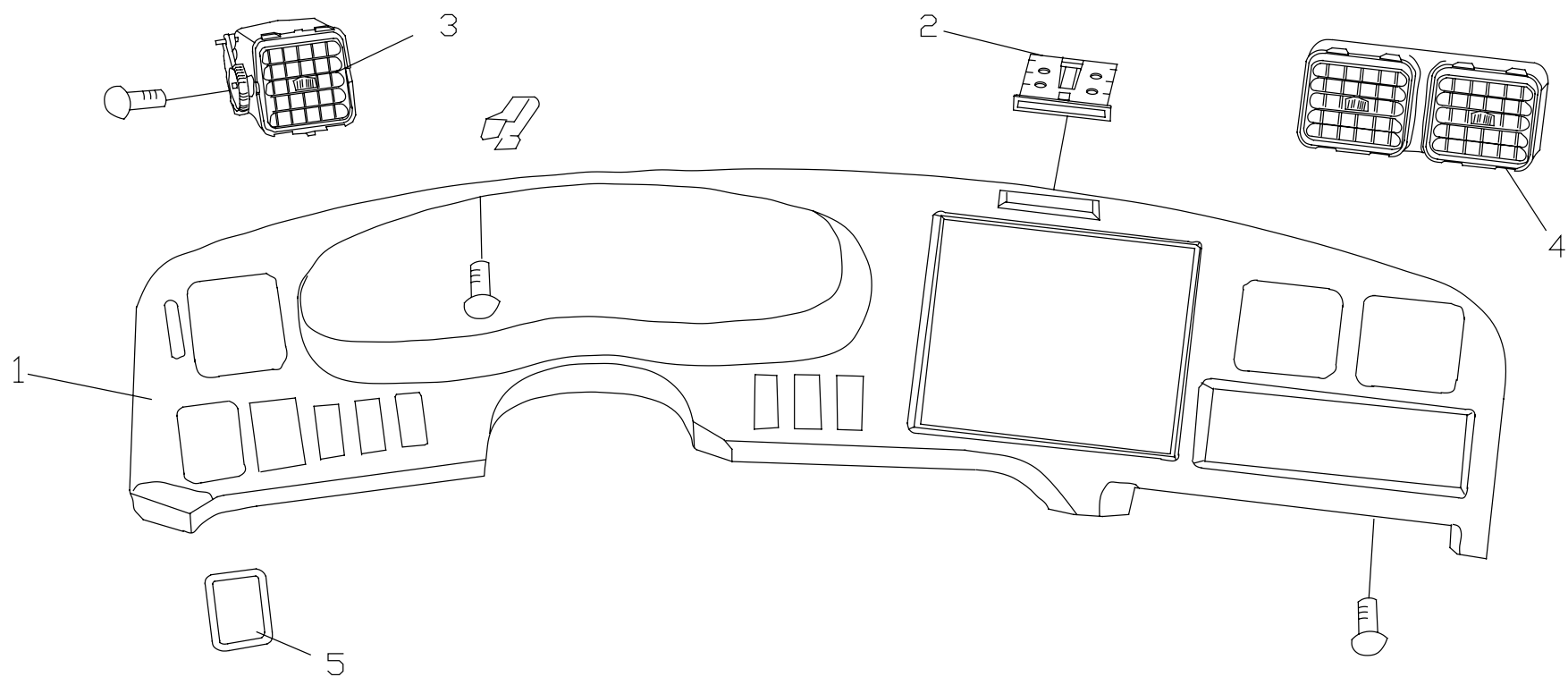
## 前围系统 / FRONT-WALL SYSTEM

53-20

| 序号<br>No. | 件号<br>Part No. | 数量<br>Quantity | 名称<br>Name                                  | 规格<br>Specification | 适用产品<br>Products Applied | 备注<br>Remark |
|-----------|----------------|----------------|---|---------------------|--------------------------|--------------|
| 15        | Q1460835       | 1              | 六角头组合螺栓<br>Hexagon Head Combination Bolt    |                     |                          |              |
| 16        | Q32008         | 1              | 六角法兰面螺母<br>Hexagon Nut With Flange          |                     |                          |              |
| 17        | 53AY-05162     | 1              | 后置物盒右侧护板<br>Rear Storage Box Side Shield RH |                     | 右驾系列<br>RHD Series       |              |
| 18        | 53AY-05155     | 1              | 右下护板<br>Lower Shield RH                     |                     | 右驾系列<br>RHD Series       |              |

## 仪表罩 / INSTRUMENT SHROUD

53-E



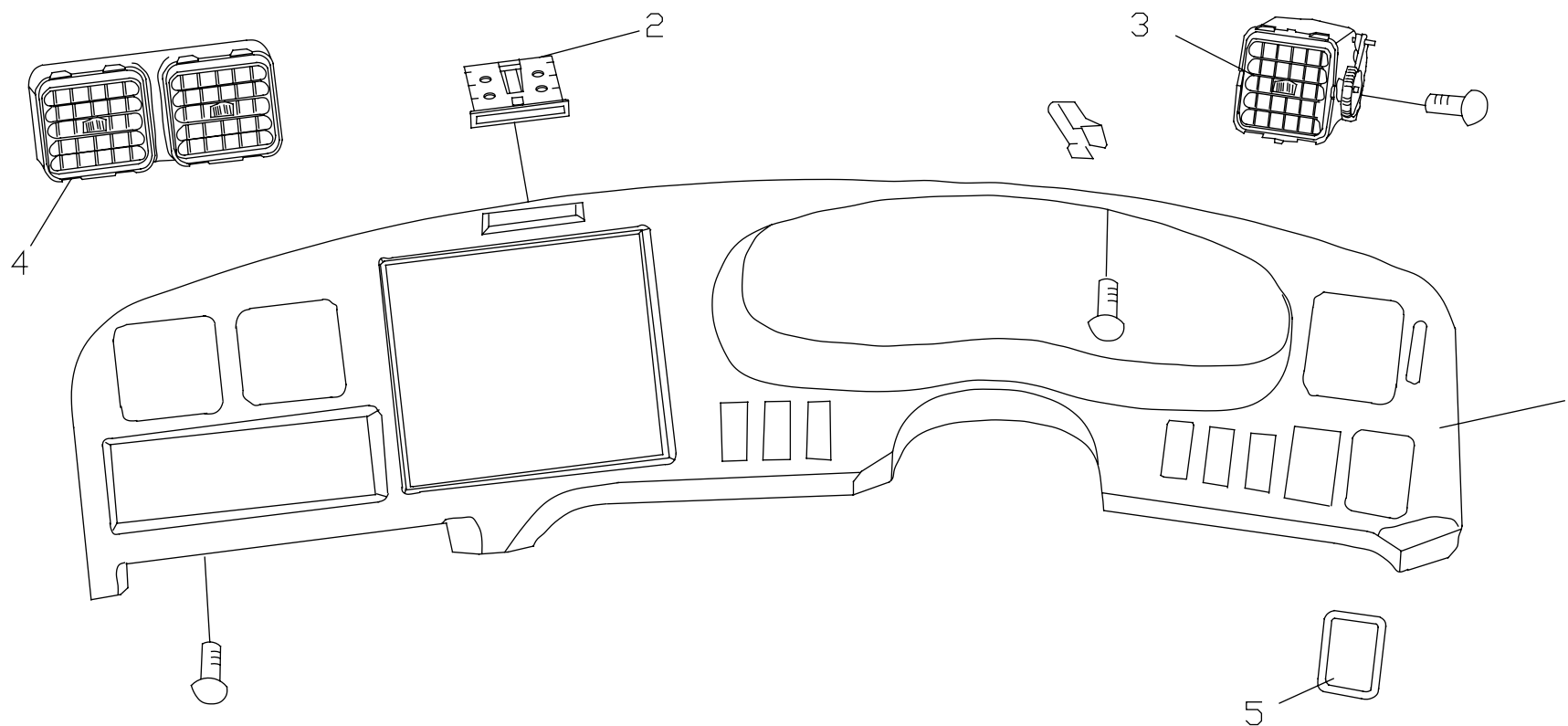
## 前围系统 / FRONT-WALL SYSTEM

53-22

| 序号<br>No. | 件号<br>Part No. | 数量<br>Quantity | 名称<br>Name   | 规格<br>Specification | 适用产品<br>Products Applied           | 备注<br>Remark |
|-----------|----------------|----------------|--|---------------------|------------------------------------|--------------|
| 1         | 53A-05170      | 1              | 仪表罩本体总成<br>Instrument Shroud Body Assembly                                   |                     |                                    |              |
|           | 53A5-05170     | 1              | 仪表罩本体总成<br>Instrument Shroud Body Assembly                                   |                     | 窄体系列<br>Narrow Cab Series          |              |
|           | 53A-05147      | 5              | 弹簧卡扣 A<br>Spring Buckle A  |                     |                                    |              |
|           | 53A-05148      | 2              | 弹簧卡扣 B<br>Spring Buckle B  |                     |                                    |              |
|           | Q2734812       | 2              | 十字槽大半圆头自攻螺钉<br>Cross Recessed Cup Head Self-Tapping Screw<br>With Large Head |                     |                                    | 黑色<br>Black  |
|           | Q2734816       | 2              | 十字槽大半圆头自攻螺钉<br>Cross Recessed Cup Head Self-Tapping Screw<br>With Large Head |                     |                                    | 黑色<br>Black  |
|           | 53A-01323      | 2              | 方型塑料螺母 C<br>Square Plastic Nut C   |                     |                                    |              |
| 2         | 53A-05179      | 1              | 磁卡盒<br>Magnetic Card Box   |                     |                                    |              |
| 3         | 53A-05175      | 1              | 仪表罩左出风口总成<br>Instrument Coul Vent Assembly LH                                |                     |                                    |              |
|           | 53A-05153      | 1              | 小弹片一出风口<br>Small Plate-Vent  |                     |                                    |              |
|           | Q2742913       | 1              | 十字槽沉头自攻螺钉<br>Cross Recessed Countersunk Self-Tapping Screw                   |                     |                                    |              |
|           | Q40104         | 1              | 平垫圈<br>Plate Washer  |                     |                                    |              |
| 4         | 53A-05176      | 1              | 仪表罩右出风口总成<br>Instrument Shroud Vent Assembly RH                              |                     |                                    |              |
| 5         | 53A-05178      | 1              | 大堵盖<br>Big Block Cover   |                     | 非斯太尔桥专用<br>Not Only For STEYR Axle |              |

## 右驾仪表罩 / INSTRUMENT SHROUD FOR RHD

53-F



## 前围系统 / FRONT-WALL SYSTEM

53-24

| 序号<br>No. | 件号<br>Part No. | 数量<br>Quantity | 名称<br>Name   | 规格<br>Specification | 适用产品<br>Products Applied           | 备注<br>Remark |
|-----------|----------------|----------------|--|---------------------|------------------------------------|--------------|
| 1         | 53AY-05170     | 1              | 仪表罩本体总成<br>Instrument Shroud Body Assembly                                   |                     | 右驾系列<br>RHD Series                 |              |
|           | 53A-05147      | 5              | 弹簧卡扣 A<br>Spring Buckle A  |                     |                                    |              |
|           | 53A-05148      | 2              | 弹簧卡扣 B<br>Spring Buckle B  |                     |                                    |              |
|           | Q2734812       | 2              | 十字槽大半圆头自攻螺钉<br>Cross Recessed Cup Head Self-Tapping Screw<br>With Large Head |                     |                                    | 黑色<br>Black  |
|           | Q2734816       | 2              | 十字槽大半圆头自攻螺钉<br>Cross Recessed Cup Head Self-Tapping Screw<br>With Large Head |                     |                                    | 黑色<br>Black  |
|           | 53A-01323      | 2              | 方型塑料螺母 C<br>Square Plastic Nut C   |                     |                                    |              |
| 2         | 53A-05179      | 1              | 磁卡盒<br>Magnetic Card Box   |                     |                                    |              |
| 3         | 53A-05175      | 1              | 仪表罩左出风口总成<br>Instrument Shroud Vent Assembly LH                              |                     |                                    |              |
|           | 53A-05153      | 1              | 小弹片 - 出风口<br>Small Plate-Vent  |                     |                                    |              |
|           | Q2742913       | 1              | 十字槽沉头自攻螺钉<br>Cross Recessed Countersunk Self-Tapping Screw                   |                     |                                    |              |
|           | Q40104         | 1              | 平垫圈<br>Plate Washer  |                     |                                    |              |
| 4         | 53A-05176      | 1              | 仪表罩右出风口总成<br>Instrument Shroud Vent Assembly RH                              |                     |                                    |              |
| 5         | 53A-05178      | 1              | 大堵盖<br>Big Block Cover   |                     | 非斯太尔桥专用<br>Not Only For STEYR Axle |              |



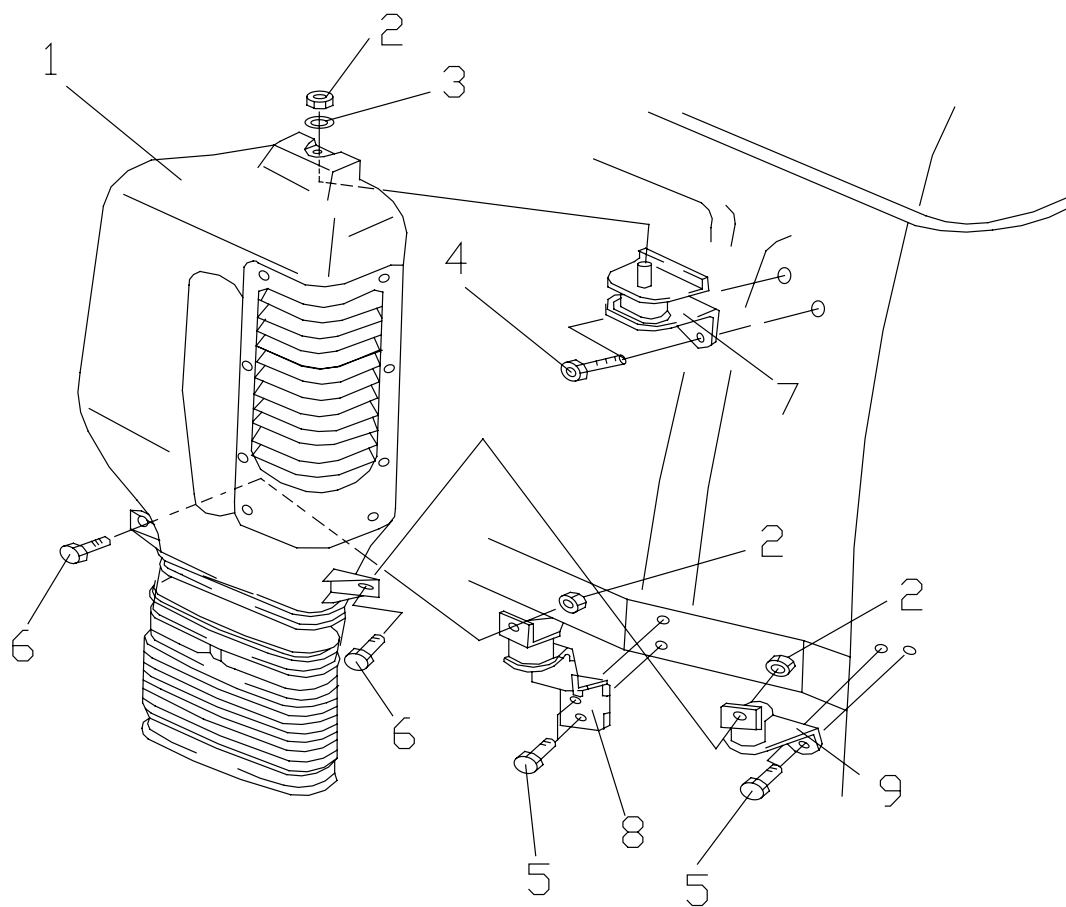
56

**后围系统**

***REAR QUARTER  
SYSTEM***

## 后围进气道总成 / REAR QUARTER INTAKE DUCT ASSEMBLY

56-A





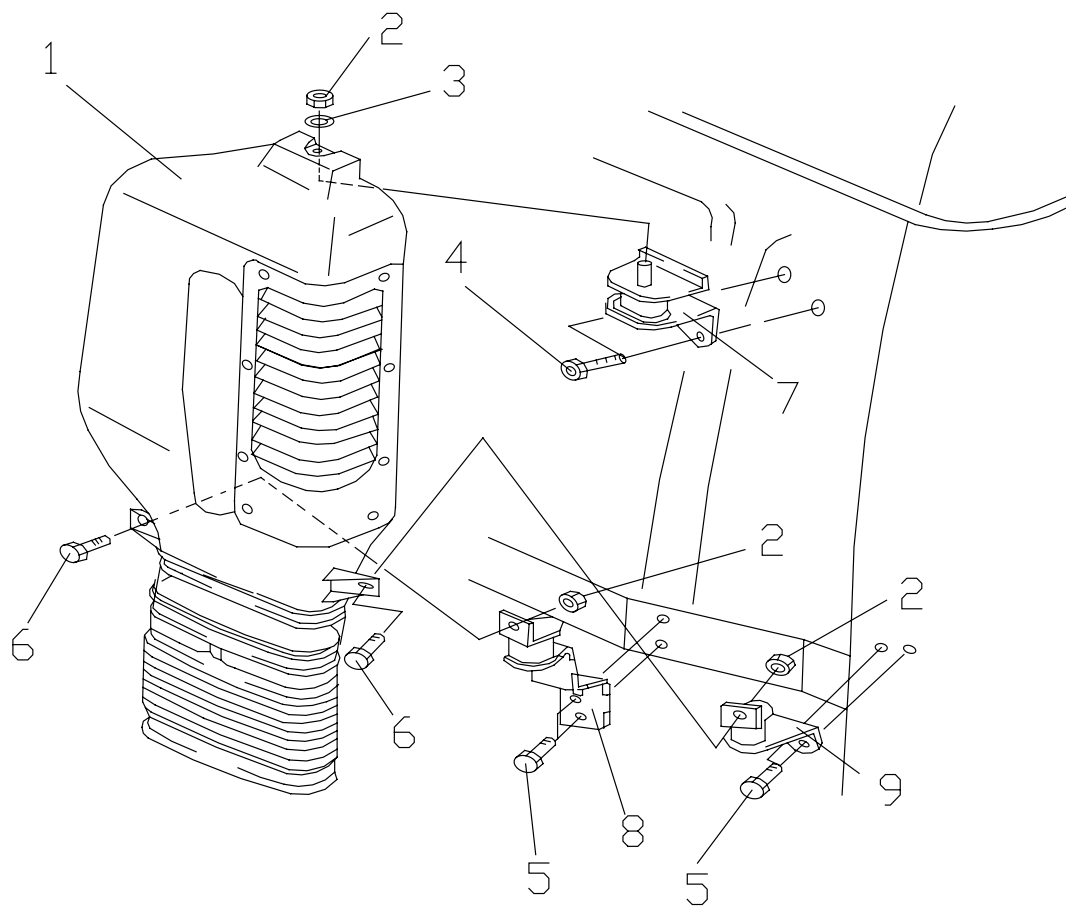
后围系统 / REAR QUARTER SYSTEM

56-2

| 序号<br>No. | 件号<br>Part No. | 数量<br>Quantity | 名称<br>Name   | 规格<br>Specification     | 适用产品<br>Products Applied  | 备注<br>Remark |
|-----------|----------------|----------------|--|-------------------------|---------------------------|--------------|
| 1         | 56A3D-04010    | 1              | 空滤进气道总成<br>Air Filter Intake Duct Assembly                 |                         |                           |              |
| 2         | Q340B08        | 3              | I型六角螺母<br>Hexagon Full Nut                                 |                         |                           |              |
| 3         | Q40110         | 1              | 平垫圈<br>Plate Washer  |                         |                           |              |
| 4         | Q1460820       | 2              | 六角头组合螺栓<br>Hexagon Head Combination Bolt                   |                         |                           |              |
| 5         | Q1460816       | 4              | 六角头组合螺栓<br>Hexagon Head Combination Bolt                   |                         |                           |              |
| 6         | Q1460825       | 2              | 六角头组合螺栓<br>Hexagon Head Combination Bolt                   | 大平垫<br>Big Plate Washer |                           |              |
| 7         | 56A-04013      | 1              | 上缓冲支座 - 空滤进气道<br>Upper Cushion Seat-Air Filter Intake Duct |                         |                           |              |
|           | 56E-04013      | 1              | 上缓冲支座 - 空滤进气道<br>Upper Cushion Seat-Air Filter Intake Duct |                         | 欧款系列<br>Europe Series     |              |
|           | 56A5-04013     | 1              | 上缓冲支座 - 空滤进气道<br>Upper Cushion Seat-Air Filter Intake Duct |                         | 窄体系列<br>Narrow Cab Series |              |
| 8         | 56A-04014      | 1              | 下缓冲支座 - 空滤进气道<br>Lower Cushion Seat-Air Filter Intake Duct |                         |                           |              |
|           | 56E-04014      | 1              | 下缓冲支座 - 空滤进气道<br>Lower Cushion Seat-Air Filter Intake Duct |                         | 欧款系列<br>Europe Series     |              |
|           | 56A5-04014     | 1              | 下缓冲支座 - 空滤进气道<br>Lower Cushion Seat-Air Filter Intake Duct |                         | 窄体系列<br>Narrow Cab Series |              |
| 9         | 56A-04015      | 1              | 右侧下支架 - 空滤进气道<br>Lower Bracket RH-Air Filter Intake Duct   |                         |                           |              |
|           | 56E-04015      | 1              | 右侧下支架 - 空滤进气道<br>Lower Bracket RH-Air Filter Intake Duct   |                         | 欧款系列<br>Europe Series     |              |

## 后围进气道总成 / REAR QUARTER INTAKE DUCT ASSEMBLY

56-A



## 后围系统 / REAR QUARTER SYSTEM

56-4

| 序号<br>No. | 件号<br>Part No. | 数量<br>Quantity | 名称<br>Name   | 规格<br>Specification | 适用产品<br>Products Applied  | 备注<br>Remark |
|-----------|----------------|----------------|--|---------------------|---------------------------|--------------|
| 9         | 56A5-04015     | 1              | 右侧下支架 - 空滤进气道<br>Lower Bracket RH-Air Filter Intake Duct |                     | 窄体系列<br>Narrow Cab Series |              |



57

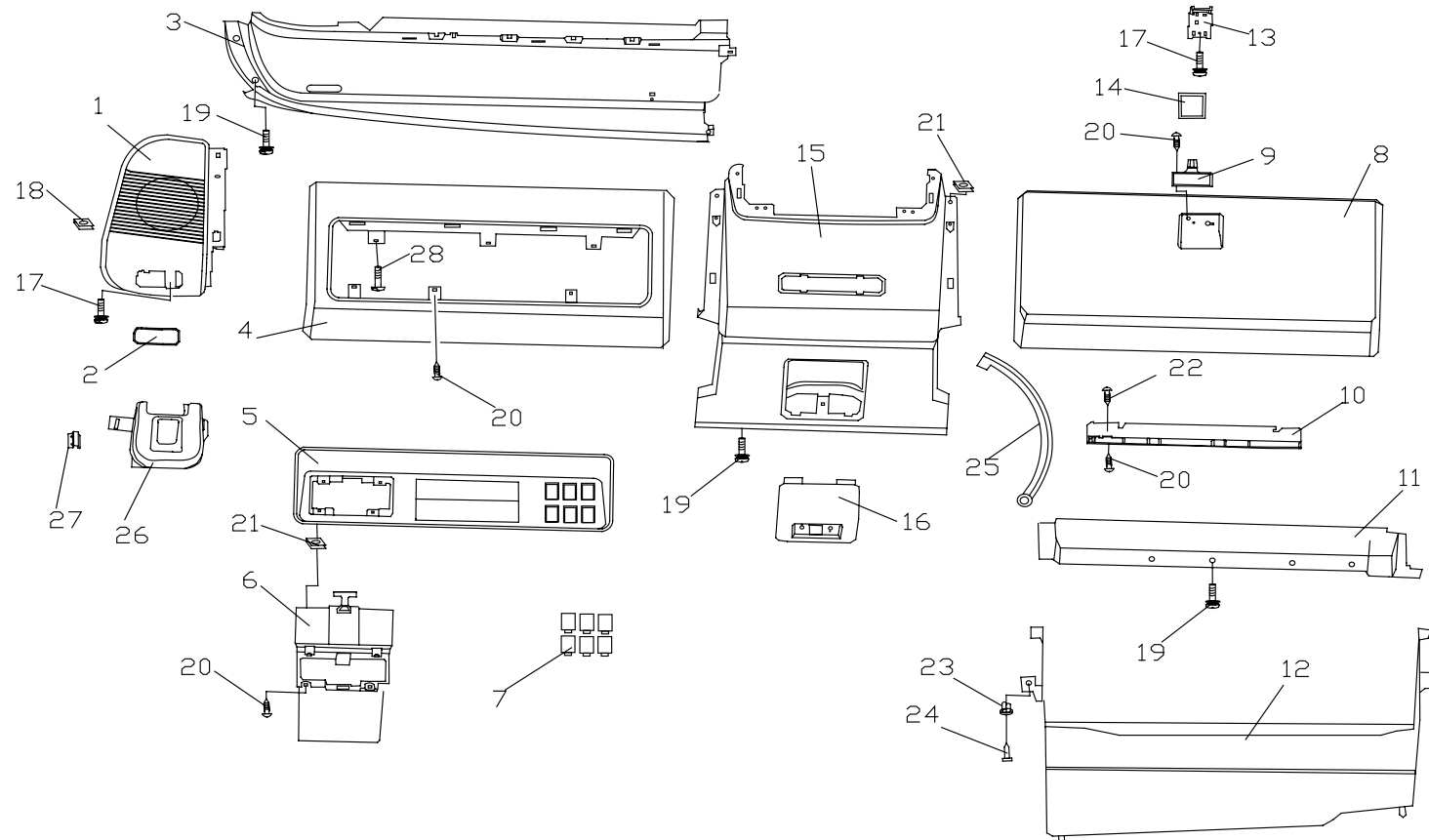
**侧围、顶盖系统**

**QUARTER,**

**ROOF SYSTEM**

## 驾驶室前顶部件 / CAB FRONT ROOF SET

## 57-A



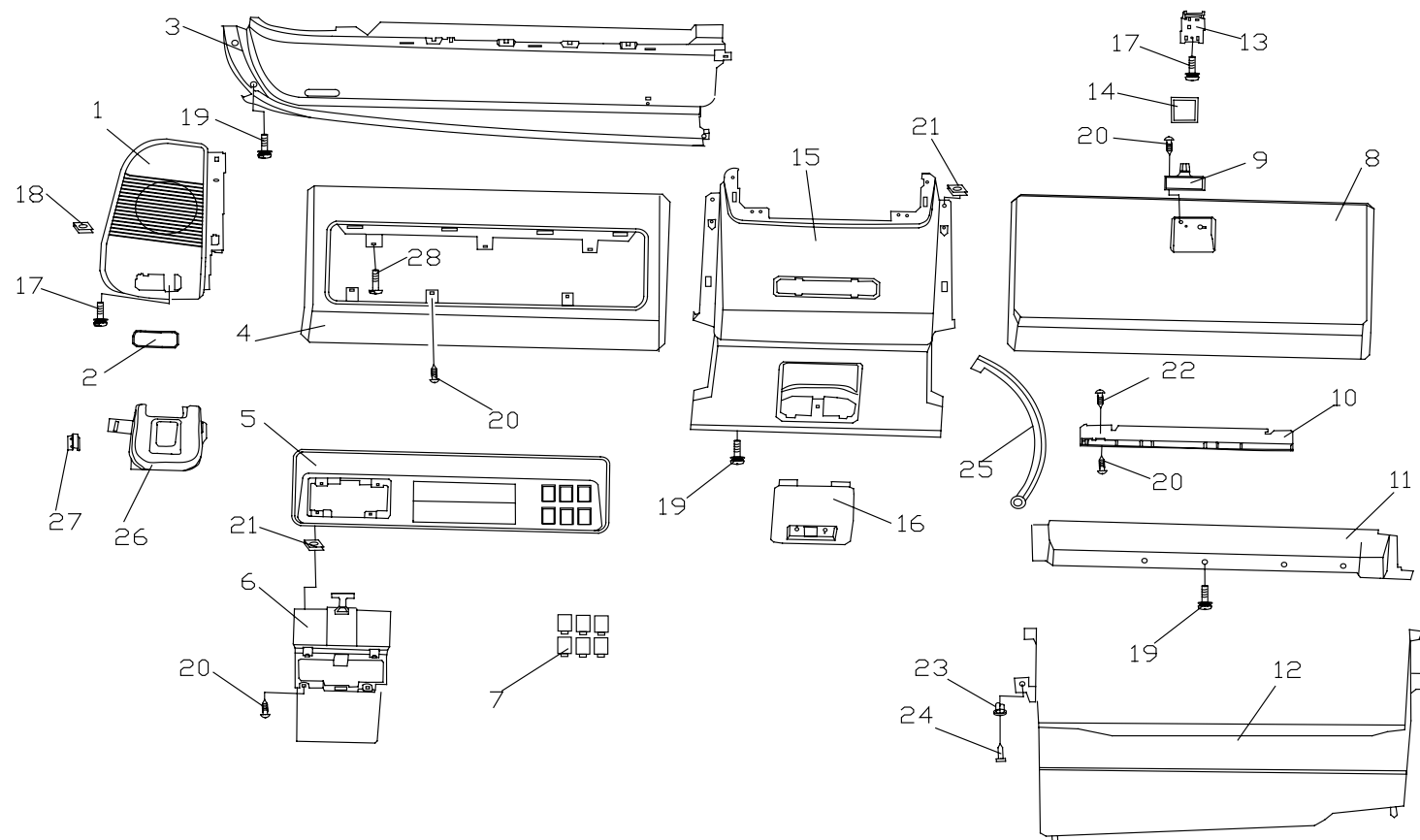
## 侧围、顶盖系统 /QUARTER,ROOF SYSTEM

57-2

| 序号<br>No. | 件号<br>Part No. | 数量<br>Quantity | 名称<br>Name   | 规格<br>Specification | 适用产品<br>Products Applied | 备注<br>Remark |
|-----------|----------------|----------------|--|---------------------|--------------------------|--------------|
| 1         | 57B1-02017     | 1              | 左上喇叭盖<br>Upper Horn Cover LH                             |                     |                          |              |
|           | 57B1-02018     | 1              | 右上喇叭盖<br>Upper Horn Cover RH                             |                     |                          |              |
| 2         | 57B-02025      | 1              | 堵盖<br>Pulley Cover                                       |                     |                          |              |
| 3         | 57B1-02037     | 1              | 顶盖左内饰板<br>Roof Inner Trim Board LH                       |                     |                          |              |
|           | 57B1-02038     | 1              | 顶盖右内饰板<br>Roof Inner Trim Board RH                       |                     |                          |              |
| 4         | 57B1-02051     | 1              | 驾驶上方控制仪表座<br>Upper Control Instrument Seat               |                     |                          |              |
| 5         | 57B1-02056     | 1              | 驾驶上方控制仪表板<br>Upper Control Instrument Panel              |                     |                          |              |
| 6         | 57B1-02065     | 1              | 左上置物箱总成<br>Upper Storage Box Assembly LH                 |                     |                          |              |
| 7         | 57B-02061      | 6              | 堵盖<br>Pulley Cover                                       |                     |                          |              |
| 8         | 57B1-02068     | 1              | 右上置物箱盖板<br>Upper Storage Box Plate RH                    |                     |                          |              |
| 9         | 57B1-02069     | 1              | 锁钩总成<br>Locking Hook Assembly                            |                     |                          |              |
| 10        | 57B1-02071     | 1              | 右上置物盒盖连接板<br>Upper Storage Box Cover Connecting Panel RH |                     |                          |              |
| 11        | 57B1-02072     | 1              | 右上置物盒防滑挡板<br>Upper Storage Box Skid Proof Baffle RH      |                     |                          |              |
| 12        | 57B1-02075     | 1              | 右上置物盒底板<br>Upper Storage Box Bottom Plate RH             |                     |                          |              |

## 驾驶室前顶部件 / CAB FRONT ROOF SET

## 57-A





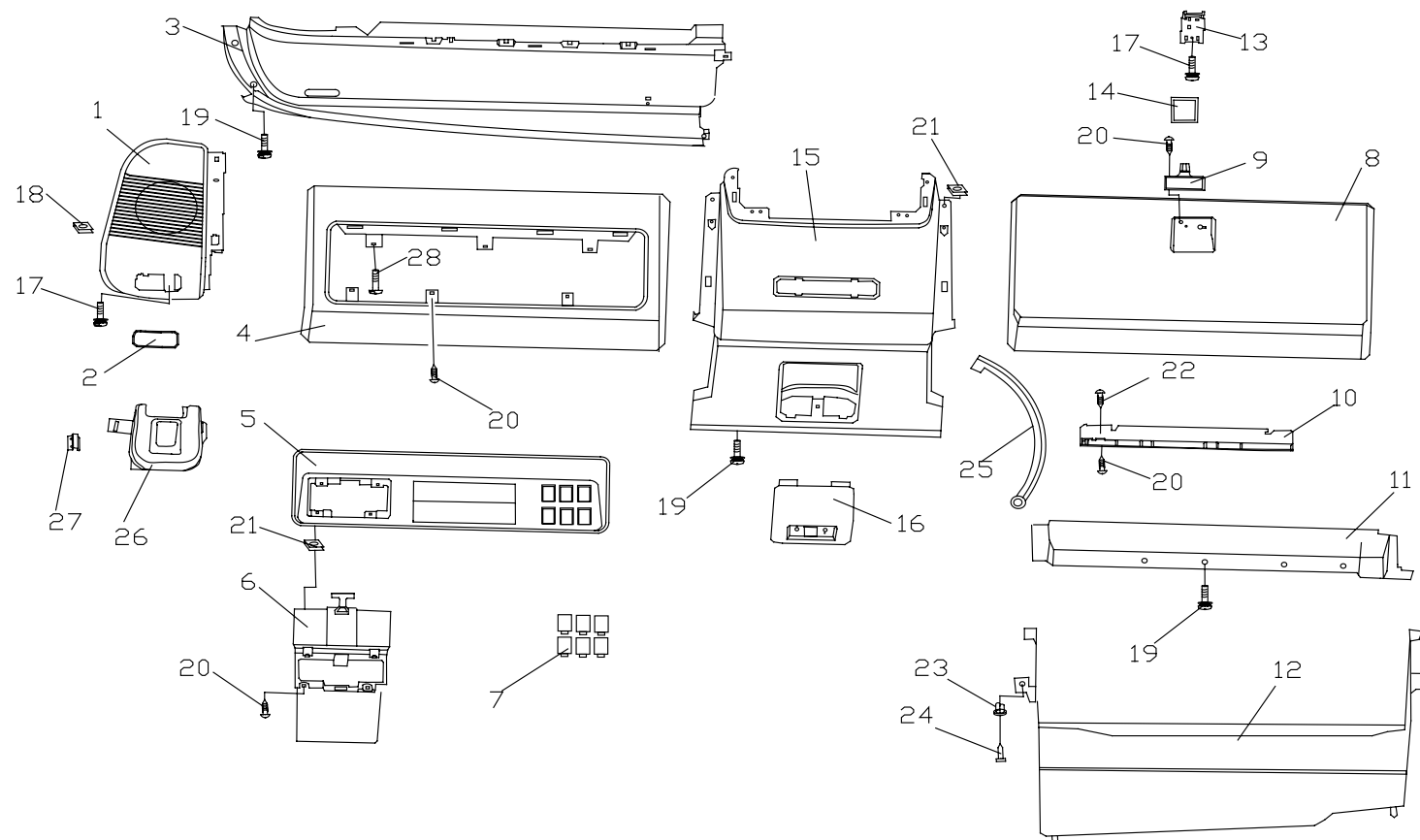
## 侧围、顶盖系统 / QUARTER, ROOF SYSTEM

57-4

| 序号<br>No. | 件号<br>Part No. | 数量<br>Quantity | 名称<br>Name   | 规格<br>Specification | 适用产品<br>Products Applied | 备注<br>Remark             |
|-----------|----------------|----------------|--|---------------------|--------------------------|--------------------------|
| 13        | 57B1-02078     | 1              | 右上置物盒锁舌<br>Upper Storage Box Latch RH  |                     |                          |                          |
| 14        | 57B1-02079     | 1              | 锁舌盖板<br>Latch Cover Plate  |                     |                          |                          |
| 15        | 57B1-02086     | 1              | 顶盖中内饰板<br>Roof Center Inner Trim Board                                       |                     |                          |                          |
| 16        | 57B1-02095     | 1              | 顶盖中内饰板护盖<br>Roof Center Inner Trim Board Cover                               |                     |                          |                          |
| 17        | Q2360616       | 3              | 十字槽组合螺钉<br>Cross Recessed Combination Screw                                  |                     |                          |                          |
| 18        | 53A-05148      | 4              | 弹簧卡扣 B<br>Spring Buckle B  |                     |                          |                          |
| 19        | Q2360625       | 16             | 十字槽组合螺钉<br>Cross Recessed Combination Screw                                  |                     |                          |                          |
| 20        | Q2734816       | 13             | 十字槽大半圆头自攻螺钉<br>Cross Recessed Cup Head Self-Tapping Screw<br>With Large Head |                     |                          |                          |
| 21        | 51A-03042      | 12             | 小弹片螺母<br>Small Spring Nut  |                     |                          |                          |
| 22        | Q2713516       | 4              | 十字槽盘头自攻螺钉<br>Cross Recessed Pan Head Self-Tapping Screw                      |                     |                          |                          |
| 23        | 82B-07061      | 2              | 圆型塑料螺母 C<br>Round Plastic Nut C  |                     |                          |                          |
| 24        | 82B-07062      | 2              | 塑料螺钉 C<br>Plastic Screw C  |                     |                          |                          |
| 25        | 57B1-02076     | 2              | 弯臂铰链<br>Bend Hinge   |                     |                          |                          |
| 26        | 57B1-02021     | 1              | 阅读灯护罩<br>Map Lamp Protector  |                     |                          | 仅用于右件<br>Only for Set RH |

## 驾驶室前顶部件 / CAB FRONT ROOF SET

## 57-A



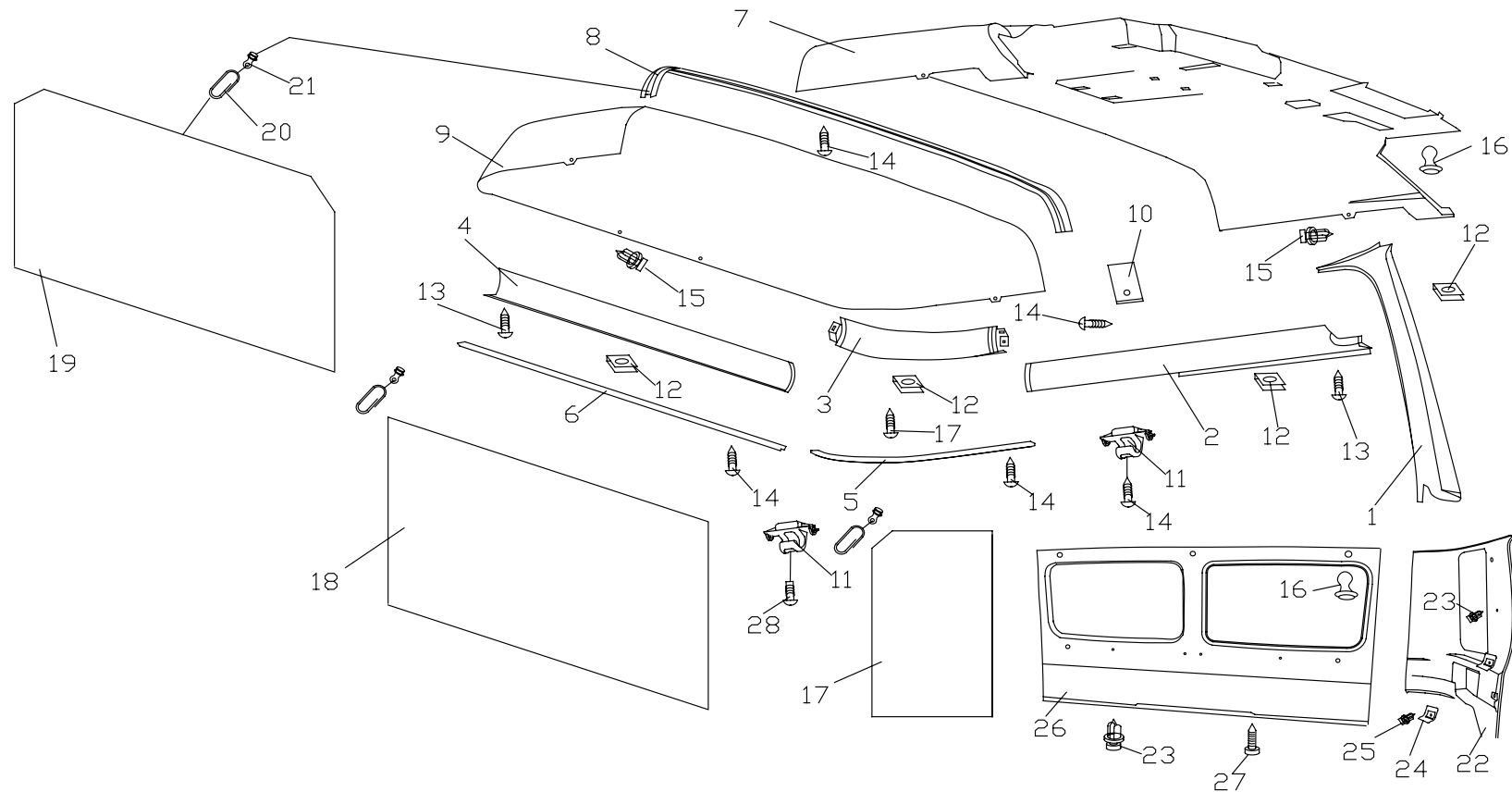
## 侧围、顶盖系统 /QUARTER,ROOF SYSTEM

57-6

| 序号<br>No. | 件号<br>Part No. | 数量<br>Quantity | 名称<br>Name                               | 规格<br>Specification | 适用产品<br>Products Applied                    | 备注<br>Remark             |
|-----------|----------------|----------------|--|---------------------|---|--------------------------|
| 27        | 57B-02023      | 1              | 弹簧卡扣<br>Spring Buckle                    |                     |   | 仅用于右件<br>Only For Set RH |
| 28        | Q2140616       | 3              | 十字槽螺钉<br>Cross Recessed Screw            |                     |   |                          |
|           | 57ADQ-03010    | 1              | 顶盖导流罩总成<br>Roof Deflector Cover Assembly |                     | 低顶驾驶室牵引车专用<br>Only For Low Roof Cab Tractor |                          |
|           | 57ADQ-03071    | 1              | 密封条<br>Weather Strip                     |                     |   |                          |
|           | 57ADQ-03081    | 4              | 橡胶垫<br>Rubber Cushion                    |                     |   |                          |
|           | Q1461022       | 8              | 六角头组合螺栓<br>Hexagon Head Combination Bolt |                     |   |                          |

## 顶盖内顶部件 / CAB INNER ROOF SET

57-B



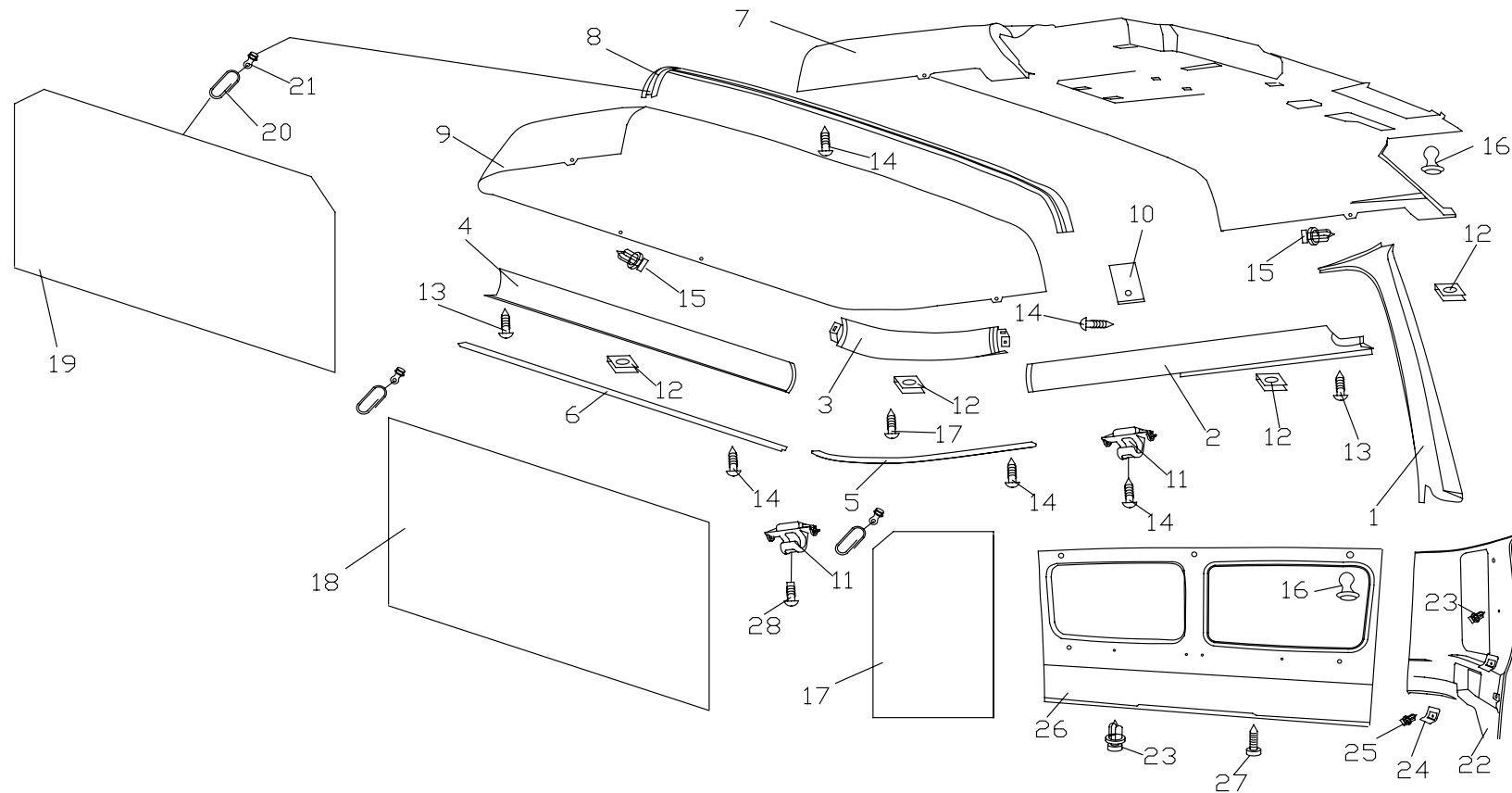
## 侧围、顶盖系统 /QUARTER,ROOF SYSTEM

57-8

| 序号<br>No. | 件号<br>Part No. | 数量<br>Quantity | 名称<br>Name                                  | 规格<br>Specification | 适用产品<br>Products Applied  | 备注<br>Remark |
|-----------|----------------|----------------|---|---------------------|---------------------------|--------------|
| 1         | 54B1-02011     | 1              | 左前柱护板<br>Front Pillar Shield LH             |                     |                           |              |
|           | 54B1-02012     | 1              | 右前柱护板<br>Front Pillar Shield RH             |                     |                           |              |
| 2         | 54B1-02015     | 1              | 左门框上饰板<br>Left Door Frame Upper Trim Board  |                     |                           |              |
|           | 54B1-02016     | 1              | 右门框上饰板<br>Right Door Frame Upper Trim Board |                     |                           |              |
| 3         | 54B1-02021     | 1              | 左后转角上饰板<br>Rear Corner Upper Trim Board LH  |                     |                           |              |
|           | 54B1-02022     | 1              | 右后转角上饰板<br>Rear Corner Upper Trim Board RH  |                     |                           |              |
| 4         | 56B1-02011     | 1              | 后围上饰板<br>Rear Quarter Upper Trim Board      |                     |                           |              |
| 5         | 82B1-05045     | 1              | 左侧滑轨<br>Sliding Rail LH                     |                     |                           |              |
|           | 82B1-05046     | 1              | 右侧滑轨<br>Sliding Rail RH                     |                     |                           |              |
|           | 82B15-05045    | 1              | 左侧滑轨<br>Sliding Rail LH                     |                     | 窄体系列<br>Narrow Cab Series |              |
|           | 82B15-05046    | 1              | 右侧滑轨<br>Sliding Rail RH                     |                     | 窄体系列<br>Narrow Cab Series |              |
| 6         | 82B1-05048     | 1              | 后滑轨<br>Rear Sliding Rail                    |                     |                           |              |
| 7         | 57B1-02115     | 1              | 前顶棚<br>Front Roof                           |                     |                           |              |
|           | 57B15-02115    | 1              | 前顶棚<br>Front Roof                           |                     | 窄体系列<br>Narrow Cab Series |              |

## 顶盖内顶部件 / CAB INNER ROOF SET

57-B



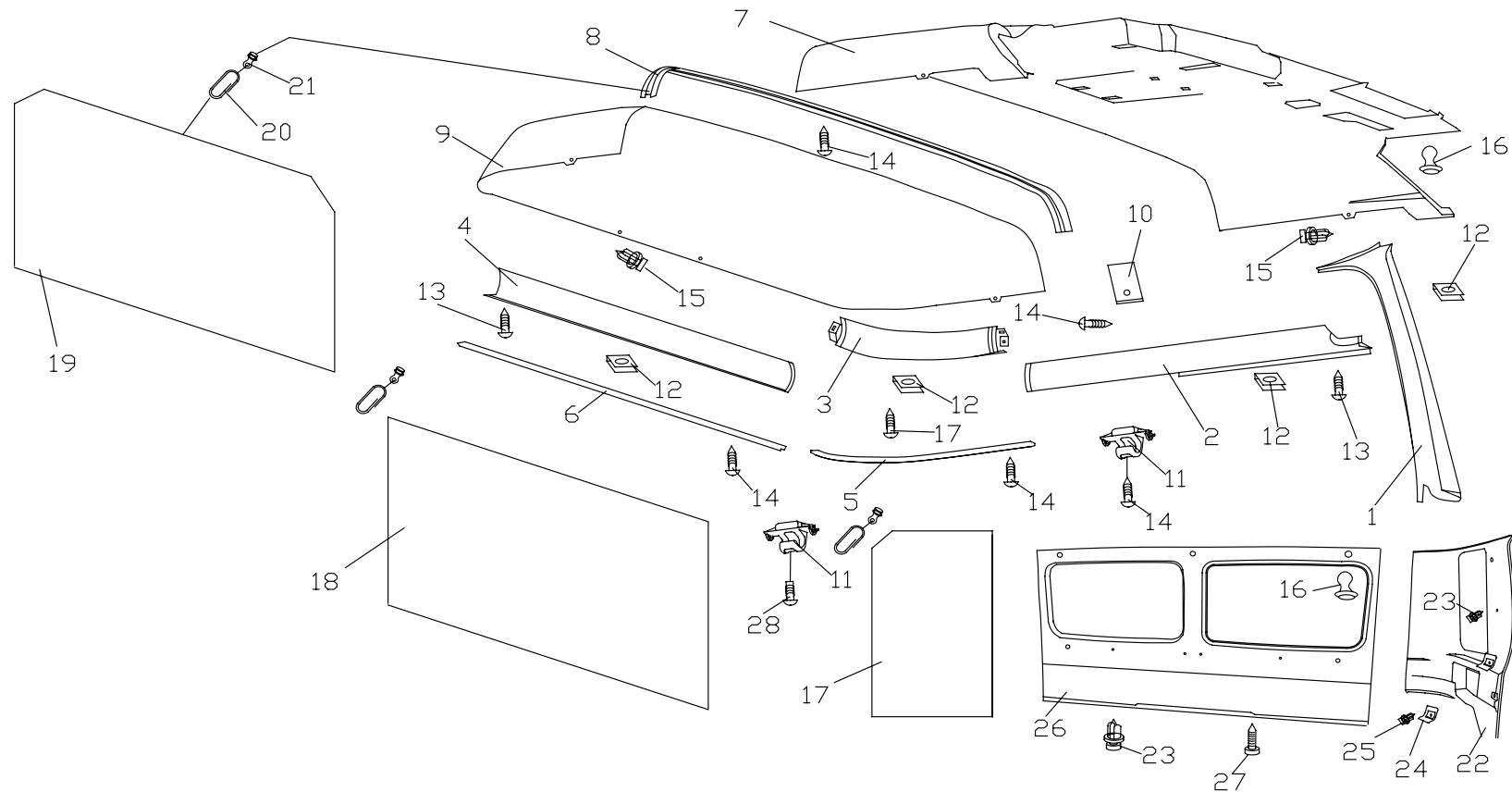
## 侧围、顶盖系统 /QUARTER,ROOF SYSTEM

57-10

| 序号<br>No. | 件号<br>Part No. | 数量<br>Quantity | 名称<br>Name   | 规格<br>Specification | 适用产品<br>Products Applied  | 备注<br>Remark |
|-----------|----------------|----------------|--|---------------------|---------------------------|--------------|
| 8         | 82B1-05041     | 1              | 中滑轨<br>Middle Sliding Rail   |                     |                           |              |
|           | 82B15-05041    | 1              | 中滑轨<br>Middle Sliding Rail   |                     | 窄体系列<br>Narrow Cab Series |              |
| 9         | 57B1-02125     | 1              | 后顶棚<br>Rear Roof   |                     |                           |              |
|           | 57B15-02125    | 1              | 后顶棚<br>Rear Roof   |                     | 窄体系列<br>Narrow Cab Series |              |
| 10        | 82B-05058      | 2              | 滑轨侧堵头<br>Sliding Rail Side Plug  |                     |                           |              |
|           | 82B5-05058     | 2              | 滑轨侧堵头<br>Sliding Rail Side Plug  |                     | 窄体系列<br>Narrow Cab Series |              |
| 11        | 82B-05052      | 4              | 滑轨塑料接头<br>Sliding Rail Plastic Union   |                     |                           |              |
| 12        | 53A-05148      | 20             | 弹簧卡扣 B<br>Spring Buckle B  |                     |                           |              |
| 13        | Q2734816       | 16             | 十字槽大半圆头自攻螺钉<br>Cross Recessed Cup Head Self-Tapping Screw<br>With Large Head |                     |                           |              |
| 14        | Q2714222       | 17             | 十字槽盘头自攻螺钉<br>Cross Recessed Pan Head Self-Tapping Screw                      |                     |                           |              |
| 15        | 57B1-02073     | 6              | 塑料卡扣 C<br>Plastic Buckle C   |                     |                           |              |
| 16        | 57B1-02118     | 4              | 塑料卡扣 G<br>Plastic Buckle G   |                     |                           |              |
| 17        | 82B1-05020     | 2              | 侧窗帘<br>Side Curtain  |                     |                           |              |
|           | 82B15-05020    | 2              | 侧窗帘<br>Side Curtain  |                     | 窄体系列<br>Narrow Cab Series |              |

## 顶盖内顶部件 / CAB INNER ROOF SET

57-B





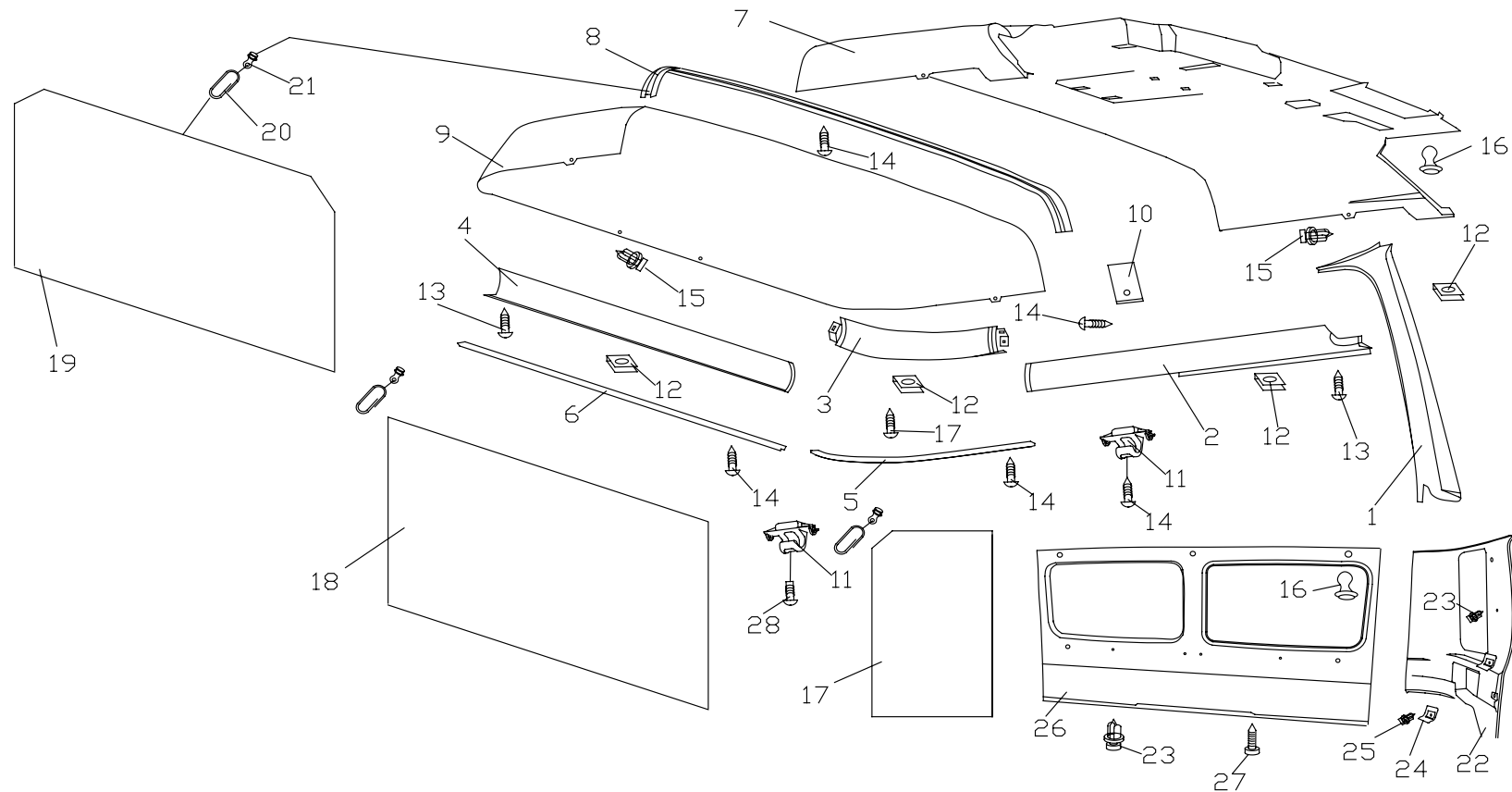
## 侧围、顶盖系统 / QUARTER, ROOF SYSTEM

57-12

| 序号<br>No. | 件号<br>Part No. | 数量<br>Quantity | 名称<br>Name                              | 规格<br>Specification | 适用产品<br>Products Applied  | 备注<br>Remark |
|-----------|----------------|----------------|---|---------------------|---------------------------|--------------|
| 18        | 82B1-05015     | 1              | 后窗帘<br>Rear Curtain                     |                     |                           |              |
|           | 82B15-05015    | 1              | 后窗帘<br>Rear Curtain                     |                     | 窄体系列<br>Narrow Cab Series |              |
| 19        | 82B1-05010     | 1              | 上窗帘<br>Upper Curtain                    |                     |                           |              |
|           | 82B15-05010    | 1              | 上窗帘<br>Upper Curtain                    |                     | 窄体系列<br>Narrow Cab Series |              |
| 20        | 82B1-05022     | 60             | 滑轮<br>Pulley                            |                     |                           |              |
| 21        | 82B1-05023     | 60             | 挂钩<br>Hook                              |                     |                           |              |
| 22        | 54B1-02125/6   | 1              | 左 / 右后侧围护板<br>Rear Quarter Shield LH/RH |                     |                           |              |
|           | 54E-02125/6    | 1              | 左 / 右后侧围护板<br>Rear Quarter Shield LH/RH |                     | 欧款系列<br>Europe Series     |              |
| 23        | 56B-02027      | 6              | 圆型塑料螺母 B<br>Round Plastic Nut B         |                     |                           |              |
|           | 56B-02028      | 6              | 塑料螺钉 B<br>Plastic Screw B               |                     |                           |              |
| 24        | 54B1-02131     | 1              | 左安全带孔盖<br>Left Seat Belt Hole Cover     |                     |                           |              |
|           | 54B1-02132     | 1              | 右安全带孔盖<br>Right Seat Belt Hole Cover    |                     |                           |              |
| 25        | 82B-07061      | 2              | 圆型塑料螺母 C<br>Round Plastic Nut C         |                     |                           |              |
|           | 82B-07062      | 2              | 塑料螺钉 C<br>Plastic Screw C               |                     |                           |              |

## 顶盖内顶部件 / CAB INNER ROOF SET

57-B



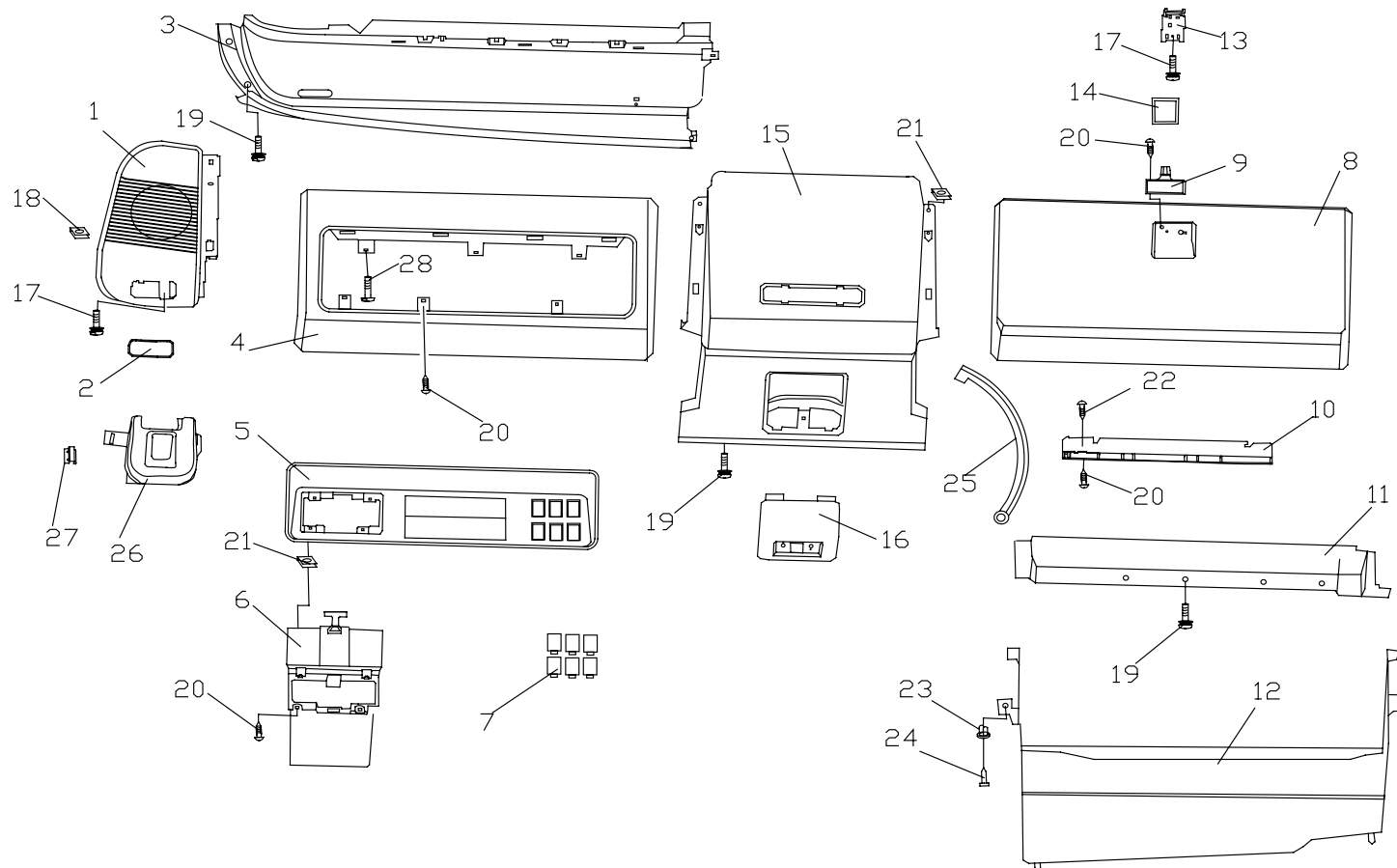
## 侧围、顶盖系统 /QUARTER,ROOF SYSTEM

57-14

| 序号<br>No. | 件号<br>Part No. | 数量<br>Quantity | 名称<br>Name                                | 规格<br>Specification | 适用产品<br>Products Applied  | 备注<br>Remark |
|-----------|----------------|----------------|---|---------------------|---------------------------|--------------|
| 26        | 56B1-02021     | 1              | 后围内护板<br>Rear Quarter Inner Shield        |                     |                           |              |
|           | 56B15-02021    | 1              | 后围内护板<br>Rear Quarter Inner Shield        |                     | 窄体系列<br>Narrow Cab Series |              |
| 27        | 56B-02017      | 8              | 塑料卡扣 D<br>Plastic Buckle D                |                     |                           |              |
| 28        | Q2360525       | 2              | 十字槽组合螺栓<br>Cross Recessed Combination Nut |                     |                           |              |

## 驾驶室前顶部件 / CAB FRONT ROOF SET

57-C



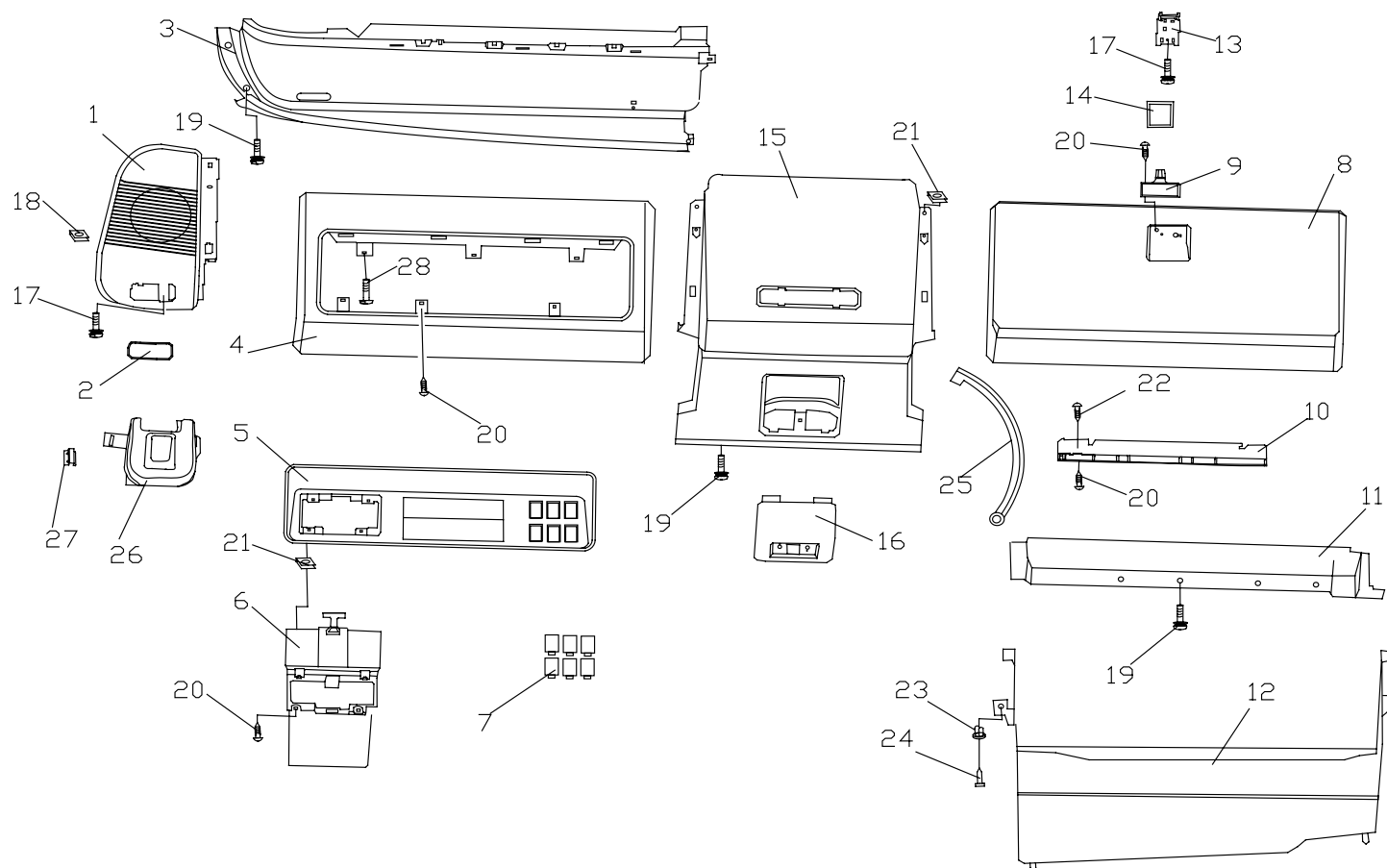
## 侧围、顶盖系统 /QUARTER,ROOF SYSTEM

57-16

| 序号<br>No. | 件号<br>Part No. | 数量<br>Quantity | 名称<br>Name   | 规格<br>Specification | 适用产品<br>Products Applied                       | 备注<br>Remark |
|-----------|----------------|----------------|--|---------------------|--|--------------|
| 1         | 57B1-02017     | 1              | 左上喇叭盖<br>Upper Horn Cover LH                             |                     | 57-C 部分为高顶驾驶室专用<br>57-C Only For High Roof Cab |              |
|           | 57B1-02018     | 1              | 右上喇叭盖<br>Upper Horn Cover RH                             |                     |  |              |
| 2         | 57B-02025      | 1              | 堵盖<br>Pulley Cover                                       |                     |  |              |
| 3         | 57B1-02037     | 1              | 顶盖左内饰板<br>Roof Inner Trim Board LH                       |                     |  |              |
|           | 57B1-02038     | 1              | 顶盖右内饰板<br>Roof Inner Trim Board RH                       |                     |  |              |
| 4         | 57B1-02051     | 1              | 驾驶上方控制仪表座<br>Upper Control Instrument Seat               |                     |  |              |
| 5         | 57B1-02056     | 1              | 驾驶上方控制仪表板<br>Upper Control Instrument Panel              |                     |  |              |
| 6         | 57B1-02065     | 1              | 左上置物箱总成<br>Upper Storage Box Assembly LH                 |                     |  |              |
| 7         | 57B-02061      | 6              | 堵盖<br>Pulley Cover                                       |                     |  |              |
| 8         | 57B1-02068     | 1              | 右上置物箱盖板<br>Upper Storage Box Plate RH                    |                     |  |              |
| 9         | 57B1-02069     | 1              | 锁钩总成<br>Locking Hook Assembly                            |                     |  |              |
| 10        | 57B1-02071     | 1              | 右上置物盒盖连接板<br>Upper Storage Box Cover Connecting Panel RH |                     |  |              |
| 11        | 57B1-02072     | 1              | 右上置物盒防滑挡板<br>Upper Storage Box Skidproof Baffle RH       |                     |  |              |
| 12        | 57B1-02075     | 1              | 右上置物盒底板<br>Upper Storage Box Botton Plate RH             |                     |  |              |

## 驾驶室前顶部件 / CAB FRONT ROOF SET

57-C



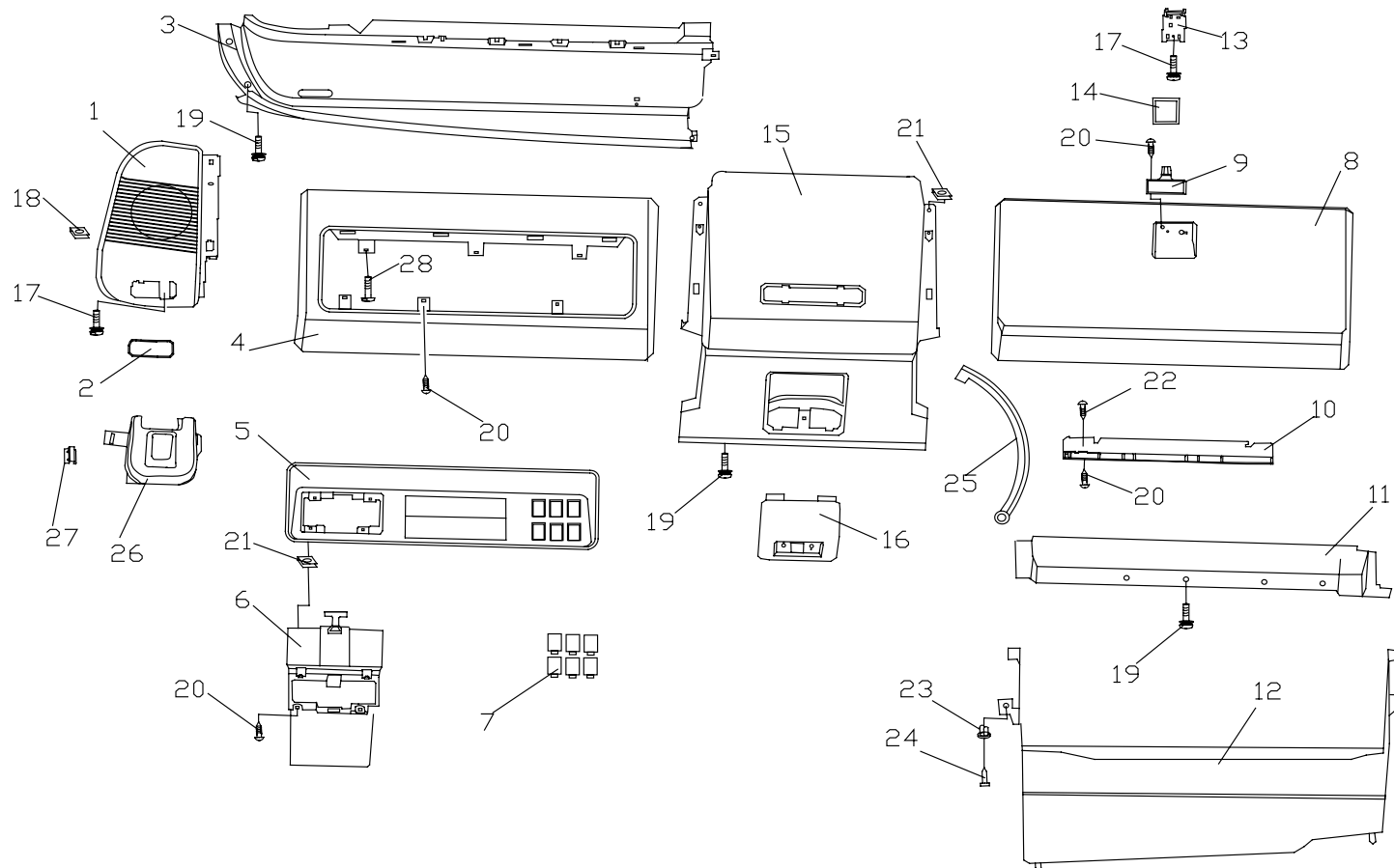
## 侧围、顶盖系统 /QUARTER,ROOF SYSTEM

57-18

| 序号<br>No. | 件号<br>Part No. | 数量<br>Quantity | 名称<br>Name   | 规格<br>Specification | 适用产品<br>Products Applied | 备注<br>Remark             |
|-----------|----------------|----------------|--|---------------------|--------------------------|--------------------------|
| 13        | 57B1-02078     | 1              | 右上置物盒锁舌<br>Upper Storage Box Latch RH  |                     |                          |                          |
| 14        | 57B1-02079     | 1              | 锁舌盖板<br>Latch Cover Plate  |                     |                          |                          |
| 15        | 57G-03055      | 1              | 顶盖中内饰板<br>Roof Center Inner Trim Board                                       |                     |                          |                          |
| 16        | 57B1-02095     | 1              | 顶盖中内饰板护盖<br>Roof Center Inner Trim Board Cover                               |                     |                          |                          |
| 17        | Q2360616       | 3              | 十字槽组合螺钉<br>Cross Recessed Combination Screw                                  |                     |                          |                          |
| 18        | 53A-05148      | 4              | 弹簧卡扣 B<br>Spring Buckle B  |                     |                          |                          |
| 19        | Q2360625       | 16             | 十字槽组合螺钉<br>Cross Recessed Combination Screw                                  |                     |                          |                          |
| 20        | Q2734816       | 13             | 十字槽大半圆头自攻螺钉<br>Cross Recessed Cup Head Self-Tapping Screw<br>With Large Head |                     |                          |                          |
| 21        | 51A-03042      | 8              | 小弹片螺母<br>Small Spring Nut  |                     |                          |                          |
| 22        | Q2713516       | 4              | 十字槽盘头自攻螺钉<br>Cross Recessed Pan Head Self-Tapping Screw                      |                     |                          |                          |
| 23        | 82B-07061      | 2              | 圆型塑料螺母 C<br>Round Plastic Nut C  |                     |                          |                          |
| 24        | 82B-07062      | 2              | 塑料螺钉 C<br>Plastic Screw C  |                     |                          |                          |
| 25        | 57B1-02076     | 2              | 弯臂铰链<br>Bend Hinge   |                     |                          |                          |
| 26        | 57B1-02021     | 1              | 阅读灯护罩<br>Map Lamp Protector  |                     |                          | 仅用于右件<br>Only for Set RH |

## 驾驶室前顶部件 / CAB FRONT ROOF SET

57-C





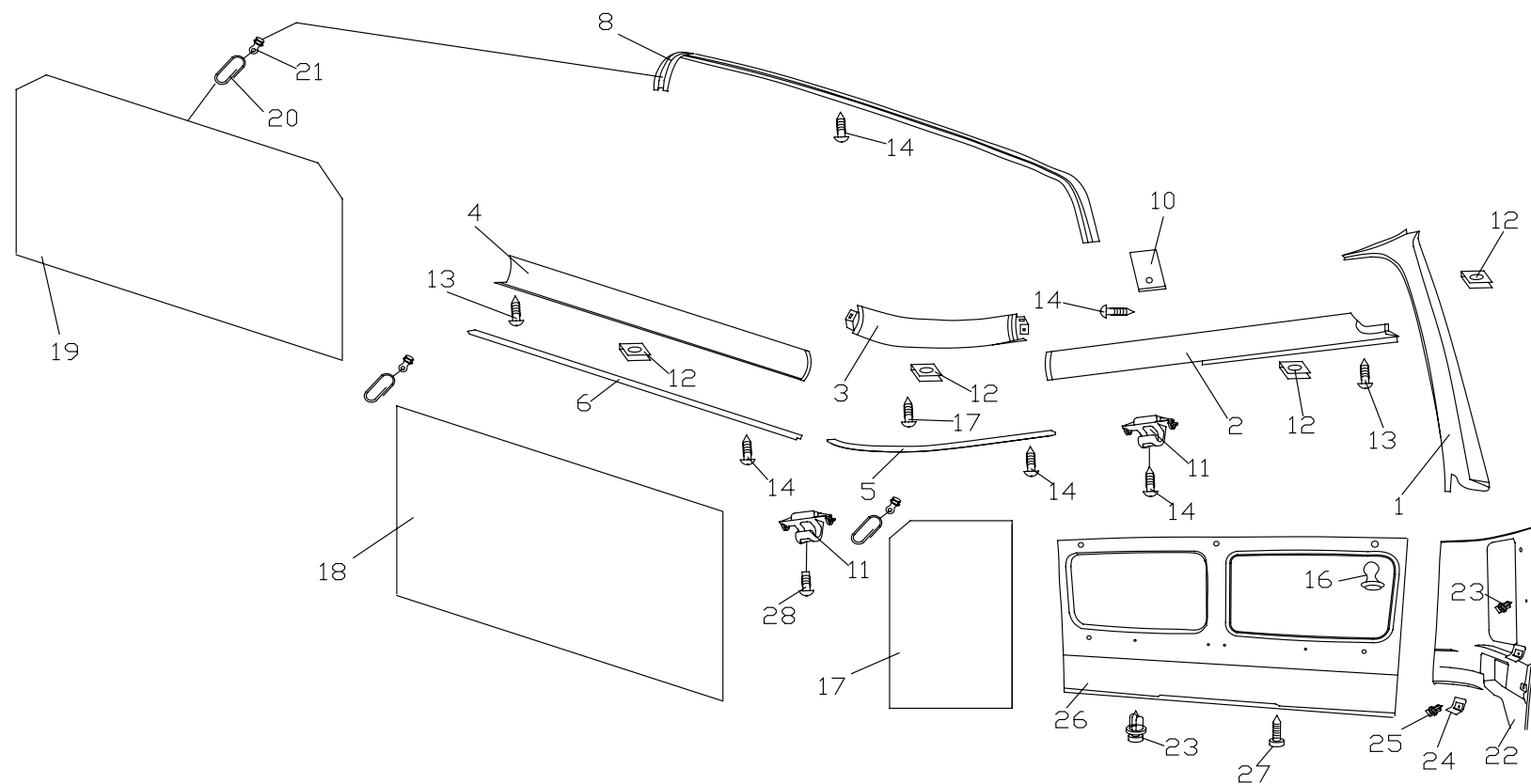
## 侧围、顶盖系统 /QUARTER,ROOF SYSTEM

57-20

| 序号<br>No. | 件号<br>Part No. | 数量<br>Quantity | 名称<br>Name                    | 规格<br>Specification | 适用产品<br>Products Applied | 备注<br>Remark             |
|-----------|----------------|----------------|-------------------------------|---------------------|--------------------------|--------------------------|
| 27        | 57B-02023      | 1              | 弹簧卡扣<br>Spring Buckle         |                     |                          | 仅用于右件<br>Only For Set RH |
| 28        | Q2140616       | 3              | 十字槽螺钉<br>Cross Recessed Screw |                     |                          |                          |

## 顶盖内顶部件 I / CAB INNER ROOF SET I

57-D



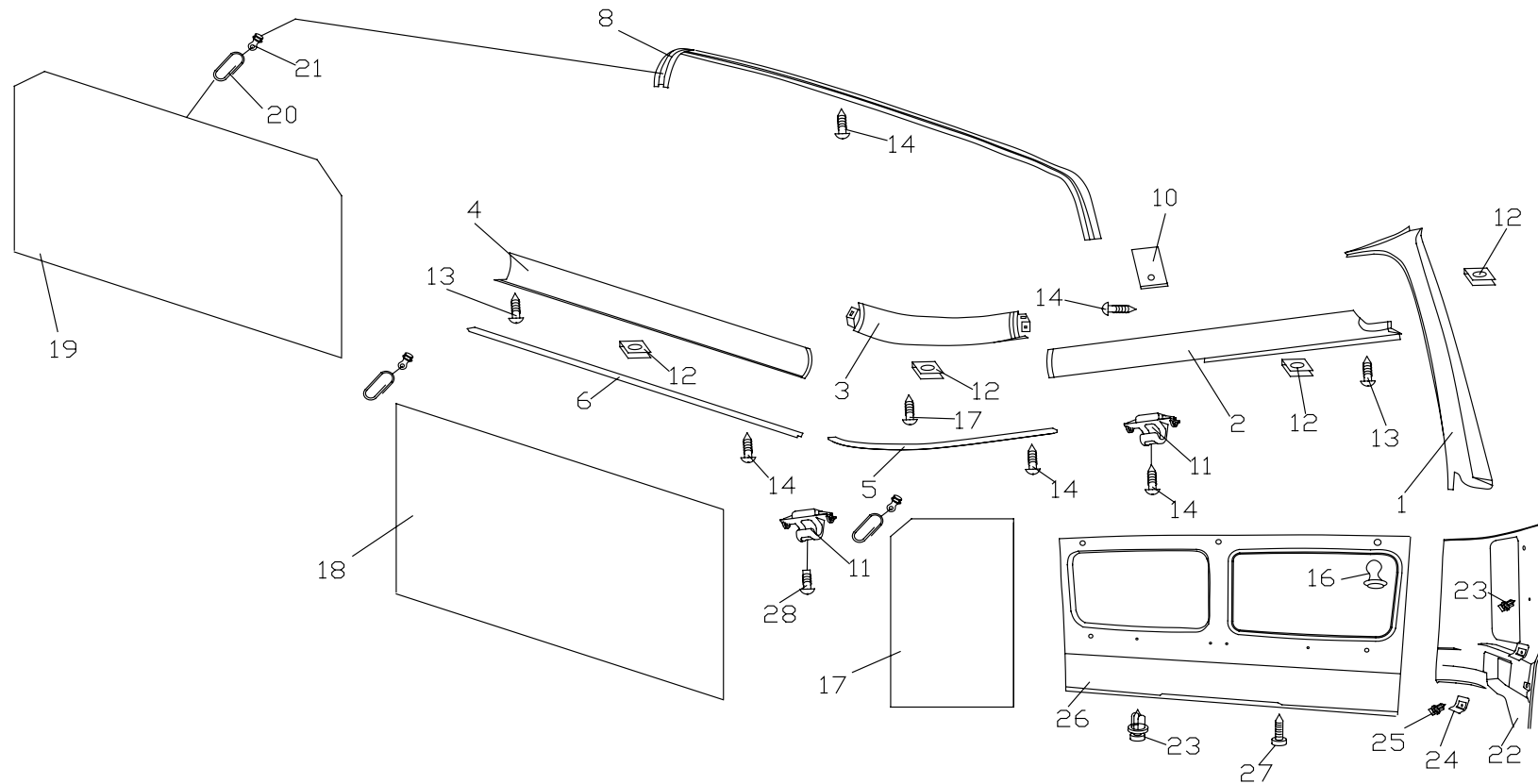
## 侧围、顶盖系统 /QUARTER,ROOF SYSTEM

57-22

| 序号<br>No. | 件号<br>Part No. | 数量<br>Quantity | 名称<br>Name                                  | 规格<br>Specification | 适用产品<br>Products Applied                       | 备注<br>Remark |
|-----------|----------------|----------------|---|---------------------|--|--------------|
| 1         | 54B1-02011     | 1              | 左前柱护板<br>Front Pillar Shield LH             |                     | 57-D 部分为高顶驾驶室专用<br>57-D Only For High Roof Cab |              |
|           | 54B1-02012     | 1              | 右前柱护板<br>Front Pillar Shield RH             |                     |  |              |
| 2         | 54B1-02015     | 1              | 左门框上饰板<br>Left Door Frame Upper Trim Board  |                     |  |              |
|           | 54B1-02016     | 1              | 右门框上饰板<br>Right Door Frame Upper Trim Board |                     |  |              |
| 3         | 54B1-02021     | 1              | 左后转角上饰板<br>Rear Corner Upper Trim Board LH  |                     |  |              |
|           | 54B1-02022     | 1              | 右后转角上饰板<br>Rear Corner Upper Trim Board RH  |                     |  |              |
| 4         | 56B1-02011     | 1              | 后围上饰板<br>Rear Quarter Upper Trim Board      |                     |  |              |
| 5         | 82B1-05045     | 1              | 左侧滑轨<br>Sliding Rail LH                     |                     |  |              |
|           | 82B1-05046     | 1              | 右侧滑轨<br>Sliding Rail RH                     |                     |  |              |
| 6         | 82B1-05048     | 1              | 后滑轨<br>Rear Sliding Rail                    |                     |  |              |
| 8         | 82G-05041      | 1              | 中滑轨<br>Middle Sliding Rail                  |                     |  |              |
| 10        | 82G-05058      | 2              | 滑轨侧堵头(中)<br>Sliding Rail Side Plug (Center) |                     |  |              |
| 11        | 82B-05052      | 4              | 滑轨塑料接头<br>Rail Plastic Union                |                     |  |              |
| 12        | 53A-05148      | 20             | 弹簧卡扣 B<br>Spring Buckle B                   |                     |  |              |

## 顶盖内顶部件 I / CAB INNER ROOF SET I

57-D



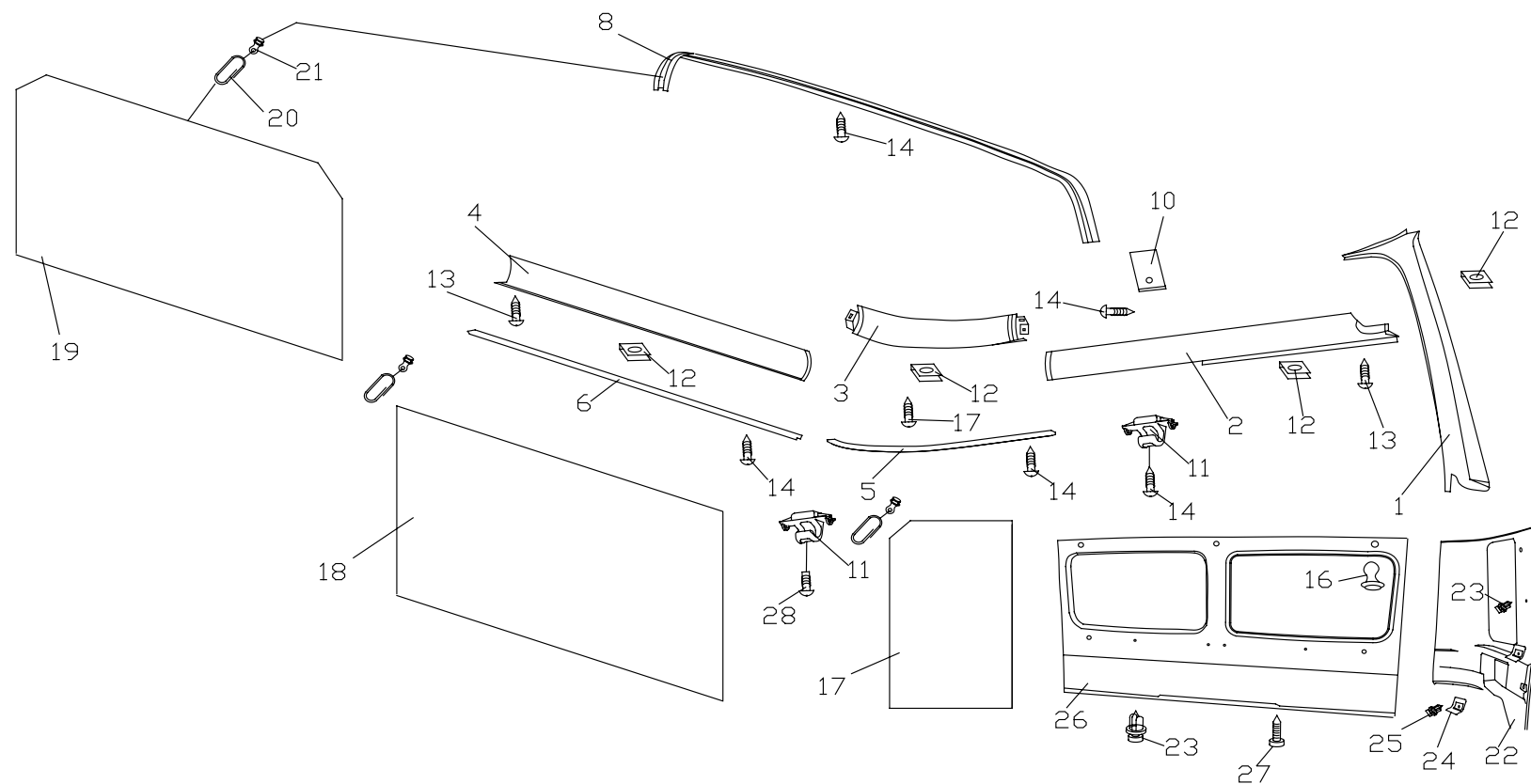
## 侧围、顶盖系统 /QUARTER,ROOF SYSTEM

57-24

| 序号<br>No. | 件号<br>Part No. | 数量<br>Quantity | 名称<br>Name   | 规格<br>Specification | 适用产品<br>Products Applied | 备注<br>Remark |
|-----------|----------------|----------------|--|---------------------|--------------------------|--------------|
| 13        | Q2734816       | 16             | 十字槽大半圆头自攻螺钉<br>Cross Recessed Cup Head Self-Tapping Screw<br>With Large Head |                     |                          |              |
| 14        | Q2714222       | 17             | 十字槽盘头自攻螺钉<br>Cross Recessed Pan Head Self-Tapping Screw                      |                     |                          |              |
| 16        | 57B1-02118     | 4              | 塑料卡扣 G<br>Plastic Buckle G   |                     |                          |              |
| 17        | 82B1-05020     | 2              | 侧窗帘<br>Side Curtain  |                     |                          |              |
| 18        | 82B1-05015     | 1              | 后窗帘<br>Rear Curtain  |                     |                          |              |
| 19        | 82G-05010      | 1              | 上窗帘<br>Upper Curtain   |                     |                          |              |
| 20        | 82B1-05022     | 60             | 滑轮<br>Pulley   |                     |                          |              |
| 21        | 82B1-05023     | 60             | 挂钩<br>Hook   |                     |                          |              |
| 22        | 54B1-02125     | 1              | 左后侧围护板<br>Rear Quarter Shield LH   |                     |                          |              |
|           | 54B1-02126     | 1              | 右后侧围护板<br>Rear Quarter Shield RH   |                     |                          |              |
| 23        | 56B-02027      | 6              | 圆型塑料螺母 B<br>Round Plastic Nut B  |                     |                          |              |
|           | 56B-02028      | 6              | 塑料螺钉 B<br>Plastic Screw B  |                     |                          |              |
| 24        | 54B1-02131     | 1              | 左安全带孔盖<br>Left Seat Belt Hole Cover  |                     |                          |              |
|           | 54B1-02132     | 1              | 右安全带孔盖<br>Right Seat Belt Hole Cover   |                     |                          |              |

## 顶盖内顶部件 I / CAB INNER ROOF SET I

57-D



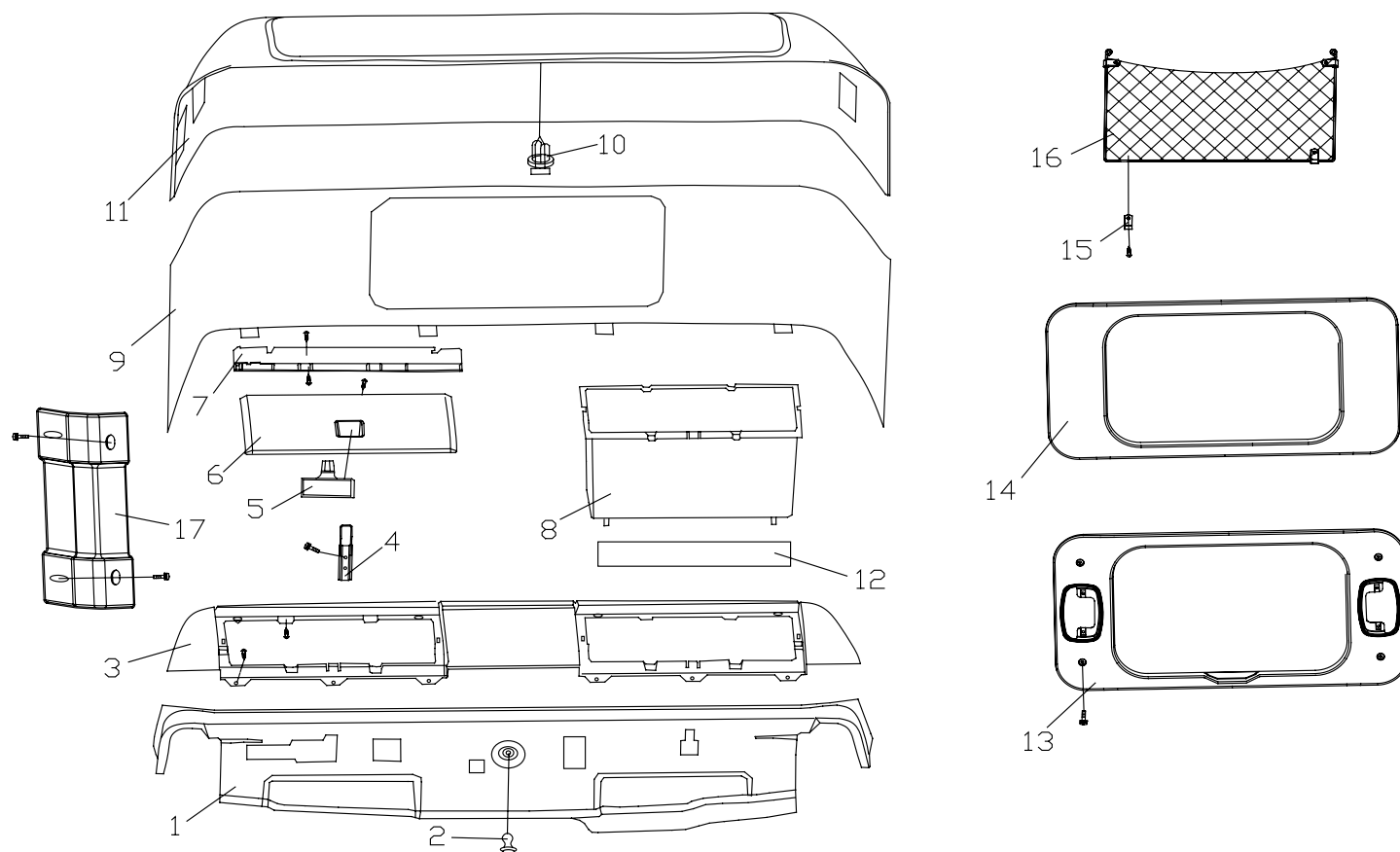
## 侧围、顶盖系统 /QUARTER,ROOF SYSTEM

57-26

| 序号<br>No. | 件号<br>Part No. | 数量<br>Quantity | 名称<br>Name                                | 规格<br>Specification | 适用产品<br>Products Applied | 备注<br>Remark |
|-----------|----------------|----------------|---|---------------------|--------------------------|--------------|
| 25        | 82B-07061      | 2              | 圆型塑料螺母 C<br>Round Plastic Nut C           |                     |                          |              |
|           | 82B-07062      | 2              | 塑料螺钉 C<br>Plastic Screw C                 |                     |                          |              |
| 26        | 56B1-02021     | 1              | 后围内护板<br>Rear Quarter Inner Shield        |                     |                          |              |
| 27        | 56B-02017      | 8              | 塑料卡扣 D<br>Plastic Buckle D                |                     |                          |              |
| 28        | Q2360525       | 2              | 十字槽组合螺栓<br>Cross Recessed Combination Nut |                     |                          |              |
|           | 82G-08011      | 1              | 清洁警示贴纸 (左)<br>Clearing Caution Paper (LH) |                     |                          |              |
|           | 82G-08012      | 1              | 安全提示贴纸 (右)<br>Safety Reminder Paper (RH)  |                     |                          |              |

## 顶盖内顶部件 II / CAB INNER ROOF SET II

57-E





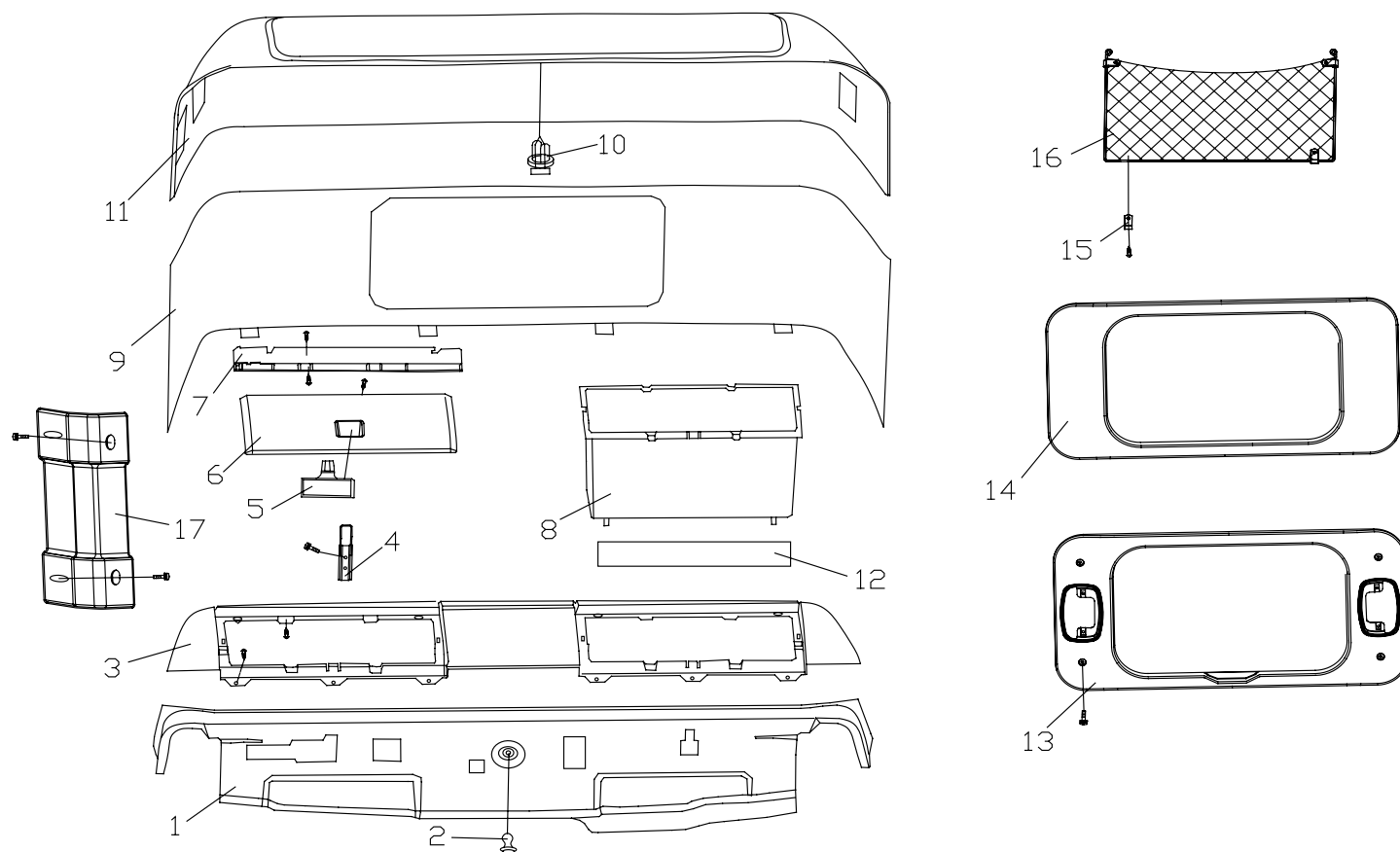
## 侧围、顶盖系统 /QUARTER,ROOF SYSTEM

57-28

| 序号<br>No. | 件号<br>Part No. | 数量<br>Quantity | 名称<br>Name   | 规格<br>Specification | 适用产品<br>Products Applied                       | 备注<br>Remark |
|-----------|----------------|----------------|--|---------------------|--|--------------|
| 1         | 57G-03052      | 1              | 前上格板<br>Front Upper Partition  |                     | 57-E 部分为高顶驾驶室专用<br>57-E Only For High Roof Cab |              |
| 2         | 57B1-02118     | 1              | 塑料卡扣 G<br>Plastic Buckle G   |                     |  |              |
| 3         | 50G-03041      | 1              | 上面板<br>Upper Panel   |                     |  |              |
|           | Q2734816       | 6              | 十字槽大半圆头自攻螺钉<br>Cross Recessed Cup Head Self-Tapping Screw<br>With Large Head |                     |  |              |
|           | Q2735522       | 4              | 十字槽大半圆头自攻螺钉<br>Cross Recessed Cup Head Self-Tapping Screw<br>With Large Head |                     |  |              |
| 4         | 57G-01030      | 2              | 上杂物箱锁舌<br>Upper Glove Box Latch  |                     |  |              |
|           | Q2360616       | 2              | 十字槽组合螺钉<br>Cross Recessed Combination Screw                                  |                     |  |              |
| 5         | 57B-02069      | 2              | 锁钩总成<br>Locking Hook Assembly  |                     |  |              |
|           | Q2734816       | 4              | 十字槽大半圆头自攻螺钉<br>Cross Recessed Cup Head Self-Tapping Screw<br>With Large Head |                     |  |              |
| 6         | 57G-03045      | 2              | 上杂物箱盖总成<br>Upper Glove Box Assembly  |                     |  |              |
| 7         | 57B1-02071     | 2              | 右上置物盒盖连接板<br>Upper Storage Box Cover Connecting Panel RH                     |                     |  |              |
|           | Q2734816       | 8              | 十字槽大半圆头自攻螺钉<br>Cross Recessed Cup Head Self-Tapping Screw<br>With Large Head |                     |  |              |
|           | Q2713516       | 8              | 十字槽盘头自攻螺钉<br>Cross Recessed Pan Head Self-Tapping Screw                      |                     |  |              |
| 8         | 57G-03048      | 2              | 上杂物箱<br>Upper Glove Box  |                     |  |              |

## 顶盖内顶部件 II / CAB INNER ROOF SET II

57-E



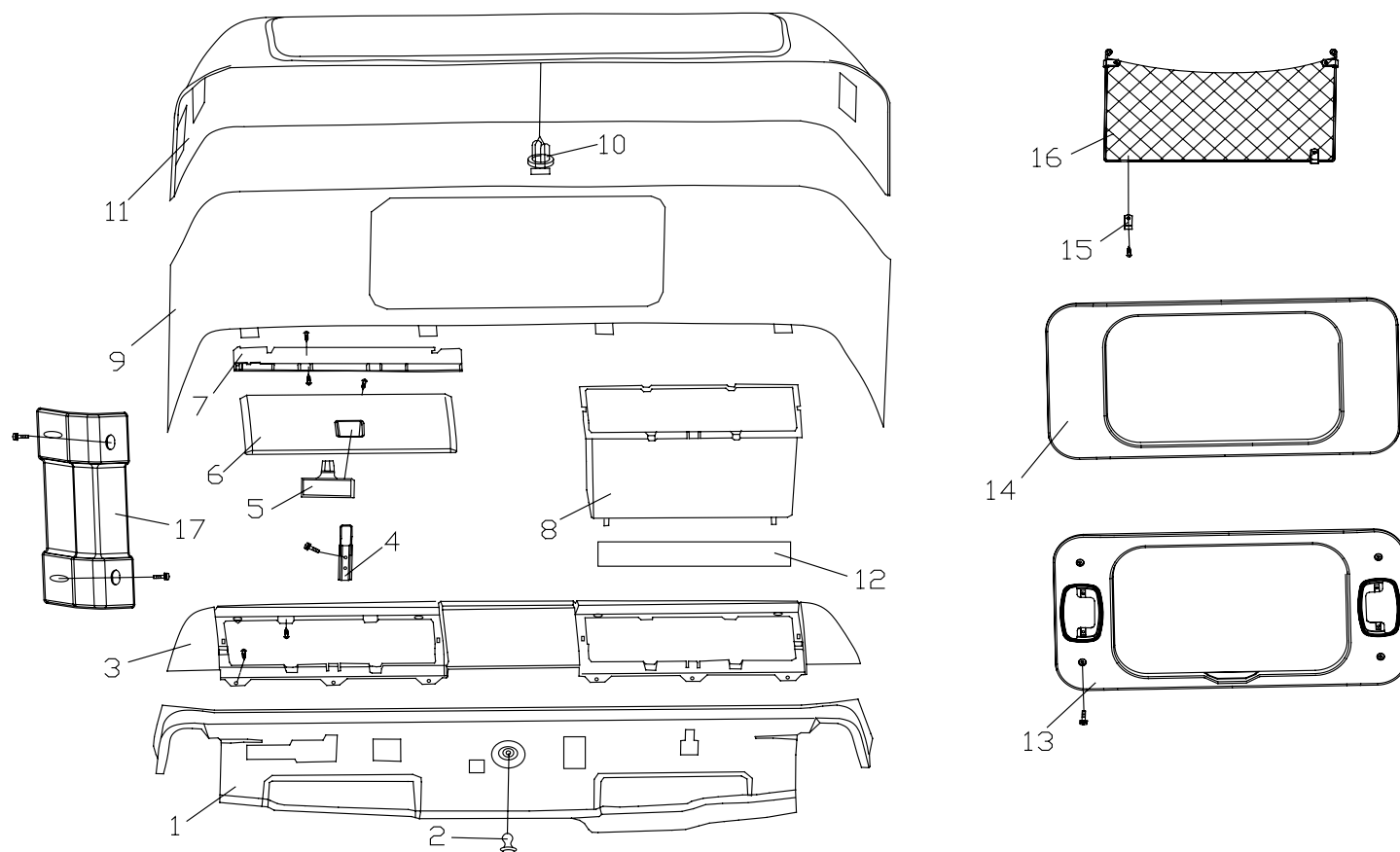
## 侧围、顶盖系统 /QUARTER,ROOF SYSTEM

57-30

| 序号<br>No. | 件号<br>Part No. | 数量<br>Quantity | 名称<br>Name   | 规格<br>Specification | 适用产品<br>Products Applied | 备注<br>Remark |
|-----------|----------------|----------------|--|---------------------|--------------------------|--------------|
| 8         | Q2734816       | 12             | 十字槽大半圆头自攻螺钉<br>Cross Recessed Cup Head Self-Tapping Screw<br>With Large Head |                     |                          |              |
|           | 51A-03042      | 12             | 小弹片螺母<br>Small Spring Nut  |                     |                          |              |
| 9         | 57G-03011      | 1              | 前上顶饰板<br>Front Upper Trim Board  |                     |                          |              |
| 10        | 57B1-02073     | 4              | 塑料卡扣 C<br>Plastic Buckle C   |                     |                          |              |
| 11        | 57G-03021      | 1              | 后上顶饰板<br>Rear Upper Trim Board   |                     |                          |              |
| 12        | 57G-03050      | 2              | 减振垫—上杂物箱<br>Absorber Cushion-Upper Glove Box                                 |                     |                          |              |
| 13        | 57G-03031      | 1              | 天窗装饰框<br>Sunroof Trim Frame  |                     |                          |              |
|           | Q2360816       | 4              | 十字槽组合螺钉<br>Cross Recessed Combination Screw                                  |                     |                          |              |
| 14        | 57G-03030      | 1              | 天窗总成<br>Sunroof Assembly   |                     |                          |              |
|           | Q2734222       | 8              | 十字槽大半圆头自攻螺钉<br>Cross Recessed Cup Head Self-Tapping Screw<br>With Large Head |                     |                          |              |
|           | Q2734232       | 2              | 十字槽大半圆头自攻螺钉<br>Cross Recessed Cup Head Self-Tapping Screw<br>With Large Head |                     |                          |              |
|           | Q40206         | 2              | 大平垫<br>Big Plate Washer  |                     |                          |              |
| 15        | 37AD-33213     | 4              | 定位夹<br>Locating Clip   |                     |                          |              |
|           | Q2734816       | 4              | 十字槽大半圆头自攻螺钉<br>Cross Recessed Cup Head Self-Tapping Screw<br>With Large Head |                     |                          |              |

## 顶盖内顶部件 II / CAB INNER ROOF SET II

57-E



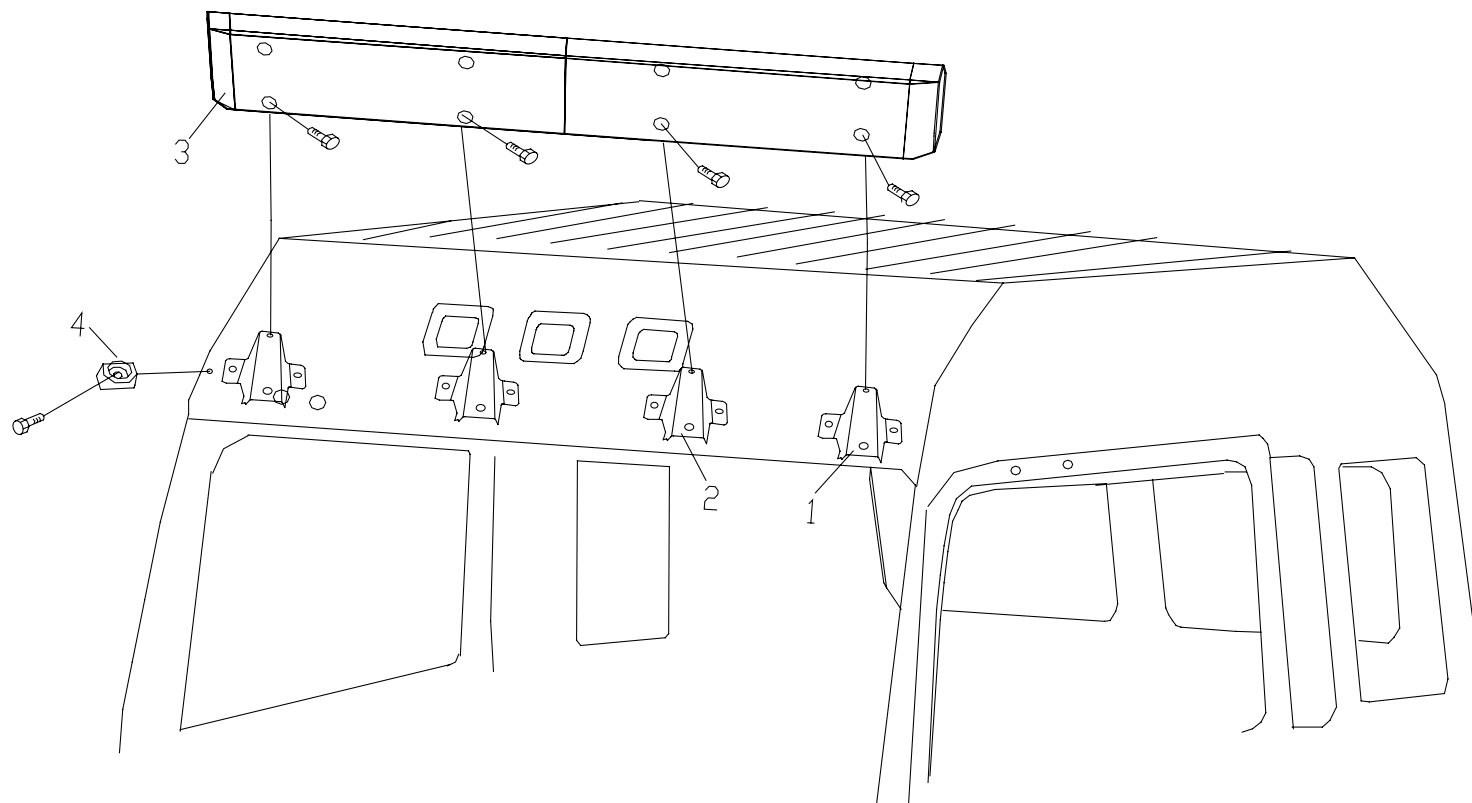
## 侧围、顶盖系统 /QUARTER,ROOF SYSTEM

57-32

| 序号<br>No. | 件号<br>Part No. | 数量<br>Quantity | 名称<br>Name                               | 规格<br>Specification | 适用产品<br>Products Applied | 备注<br>Remark |
|-----------|----------------|----------------|--|---------------------|--------------------------|--------------|
| 16        | 57G-03026      | 1              | 杂物栏框总成<br>Glove Box Frame Assmebly       |                     |                          |              |
| 17        | 57G-02012      | 4              | 顶盖连接支架<br>Roof Connecting Bracket        |                     |                          |              |
|           | Q1460820       | 8              | 六角头组合螺栓<br>Hexagon Head Combination Bolt |                     |                          |              |
|           | Q1461025       | 8              | 六角头组合螺栓<br>Hexagon Head Combination Bolt |                     |                          |              |

## 遮阳罩 / SUNSHADE

57-F



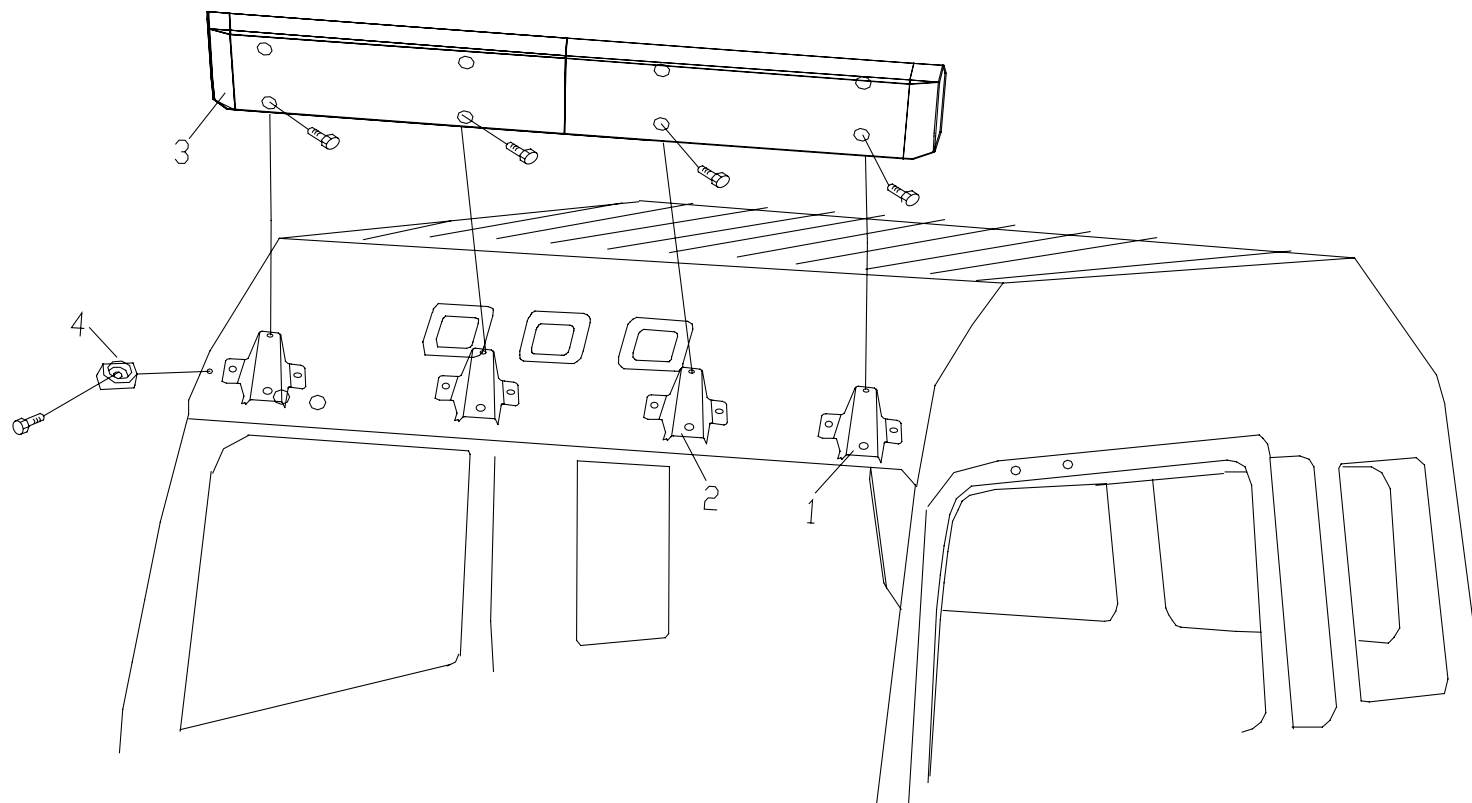
## 侧围、顶盖系统 / QUARTER, ROOF SYSTEM

57-34

| 序号<br>No. | 件号<br>Part No. | 数量<br>Quantity | 名称<br>Name  | 规格<br>Specification | 适用产品<br>Products Applied                       | 备注<br>Remark |
|-----------|----------------|----------------|---|---------------------|--|--------------|
| 1         | 57G-03065      | 1              | 左侧支架 - 遮阳罩<br>Bracket LH-Sunshade                       |                     | 57-F 部分为高顶驾驶室专用<br>57-F Only For High Roof Cab |              |
|           | 57G-03066      | 1              | 右侧支架 - 遮阳罩<br>Bracket RH-Sunshade                       |                     |  |              |
|           | Q2140830       | 4              | 十字槽盘头螺钉<br>Cross Recessed Pan Head Screw                |                     |  |              |
|           | Q40108         | 4              | 平垫圈<br>Plate Washer                                     |                     |  |              |
|           | Q40308         | 4              | 弹簧垫圈<br>Spring Washer                                   |                     |  |              |
| 2         | 57G-03063      | 1              | 左中支架 - 遮阳罩<br>Middle Bracket LH-Sunshade                |                     |  |              |
|           | 57G-03064      | 1              | 右中支架 - 遮阳罩<br>Middle Bracket RH-Sunshade                |                     |  |              |
|           | Q2715532       | 4              | 十字槽盘头自攻螺钉<br>Cross Recessed Pan Head Self-Tapping Screw |                     |  |              |
|           | Q40206         | 4              | 大垫圈<br>Big Washer                                       |                     |  |              |
| 3         | 57G-03061      | 1              | 前遮阳罩<br>Front Sunshade                                  |                     |  |              |
|           | Q2140830       | 8              | 十字槽盘头螺钉<br>Cross Recessed Pan Head Screw                |                     |  |              |
|           | Q40108         | 8              | 平垫圈<br>Plate Washer                                     |                     |  |              |
|           | Q32008         | 8              | 六角法兰面螺母<br>Hexagon Nut With Flange                      |                     |  |              |
| 4         | 57G-03070      | 2              | 橡胶垫<br>Rubber Cushion                                   |                     |  |              |

## 遮阳罩 / SUNSHADE

57-F





## 侧围、顶盖系统 /QUARTER,ROOF SYSTEM

57-36

| 序号<br>No. | 件号<br>Part No. | 数量<br>Quantity | 名称<br>Name                               | 规格<br>Specification | 适用产品<br>Products Applied | 备注<br>Remark |
|-----------|----------------|----------------|--|---------------------|--------------------------|--------------|
| 4         | Q2140620       | 2              | 十字槽盘头螺钉<br>Cross Recessed Pan Head Screw |                     |                          |              |



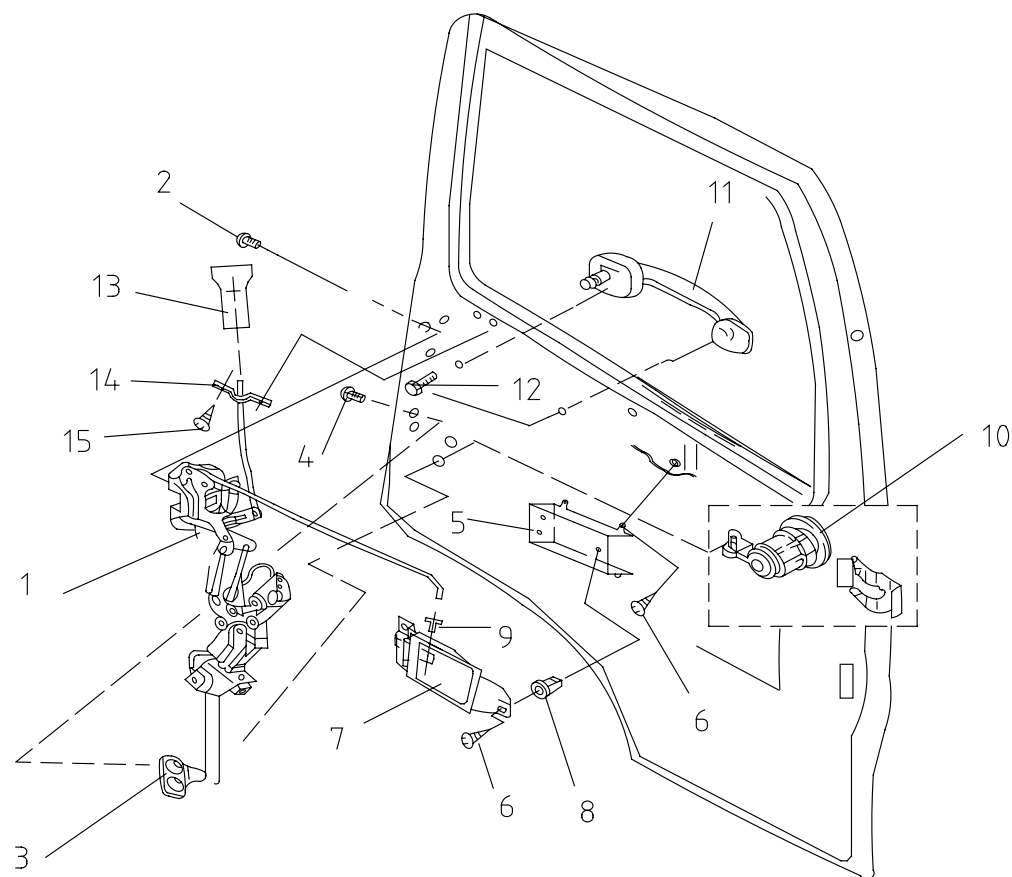
61

**车门系统**

***DOOR SYSTEM***

## 车门门锁 / DOOR LOCK

## 61-A



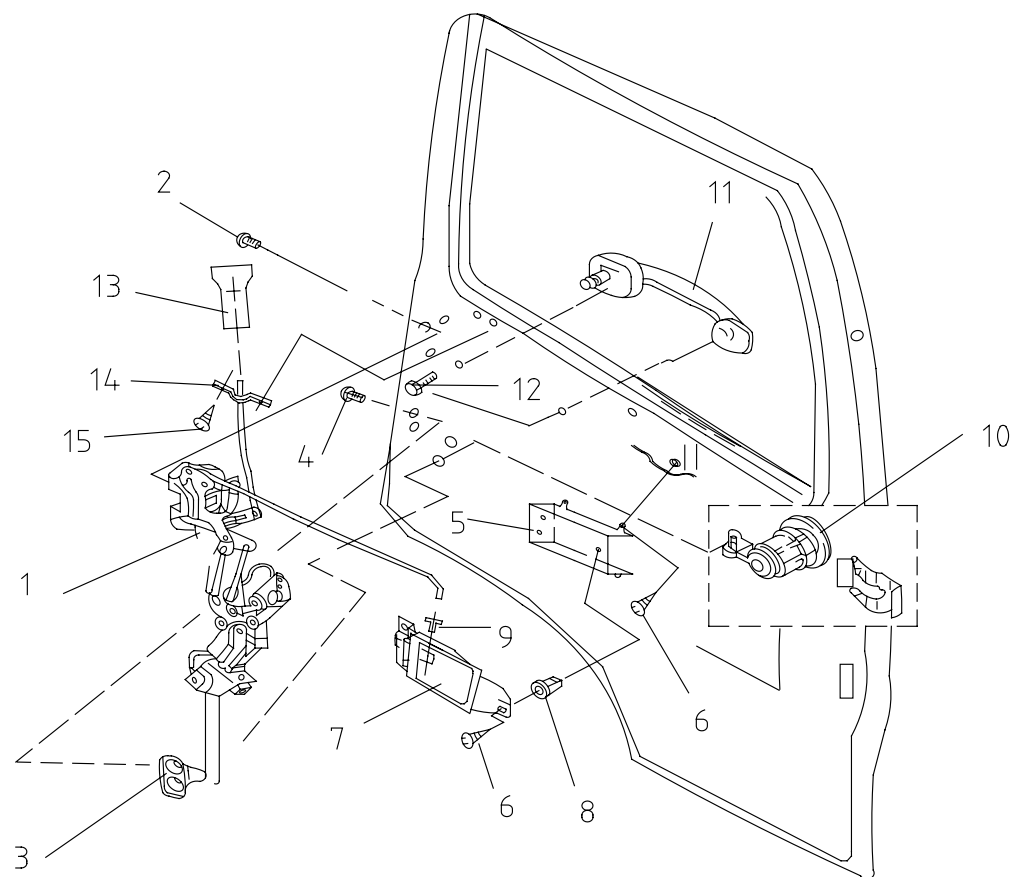
车门系统 / DOOR SYSTEM

61-2

| 序号<br>No. | 件号<br>Part No. | 数量<br>Quantity | 名称<br>Name  | 规格<br>Specification | 适用产品<br>Products Applied | 备注<br>Remark |
|-----------|----------------|----------------|---|---------------------|--------------------------|--------------|
| 1         | 6105B-009/10   | 1              | 左 / 右门锁总成<br>Door Lock Assembly LH/RH   |                     |                          |              |
|           | 6105AY-009/10  | 1              | 左 / 右门锁总成<br>Door Lock Assembly LH/RH   |                     | 右驾系列<br>RHD Series       |              |
| 2         | Q2340620       | 6              | 十字槽盘头外齿垫圈组合螺钉<br>Cross Recessed Pan Head Combination Screw<br>With Toothed Washer |                     |                          |              |
| 3         | 6105B-035/36   | 1              | 左 / 右门外开转换机构总成<br>Outside Handle Conversion Unit Assembly LH/RH                   |                     |                          |              |
| 4         | Q2140620       | 4              | 十字槽盘头螺钉<br>Gross Recessed Pan Head Screw  |                     |                          |              |
|           | Q40306         | 4              | 弹簧垫圈<br>Spring Washer   |                     |                          |              |
|           | Q40206         | 4              | 大垫圈<br>Big Washer   |                     |                          |              |
| 5         | 61B1-01315/16  | 1              | 左 / 右内把手支架总成<br>Inside Handle Bracket Assembly LH/RH                              |                     |                          |              |
| 6         | Q2734816       | 14             | 十字槽大半圆头自攻螺钉<br>Cross Recessed Cup Head Self-Tapping Screw<br>With Large Head      |                     |                          |              |
| 7         | 61B1-01320     | 2              | 内手柄总成<br>Inside Handle Assembly   |                     |                          |              |
| 8         | 54B-02018      | 14             | 方型塑料螺母 A<br>Square Plastic Nut A  |                     |                          |              |
| 9         | 6105B-011      | 2              | 卡扣 - 内开手柄<br>Buckle-Inside Handle   |                     |                          |              |
| 10        | 6105B-029/30   | 1/1            | 左 / 右门锁锁芯总成<br>Door Lock Cylinder Assembly LH/RH                                  |                     |                          |              |
| 11        | 6105B-020      | 2              | 车门外开手柄总成<br>Outside Handle Assembly   |                     |                          |              |

## 车门门锁 / DOOR LOCK

## 61-A



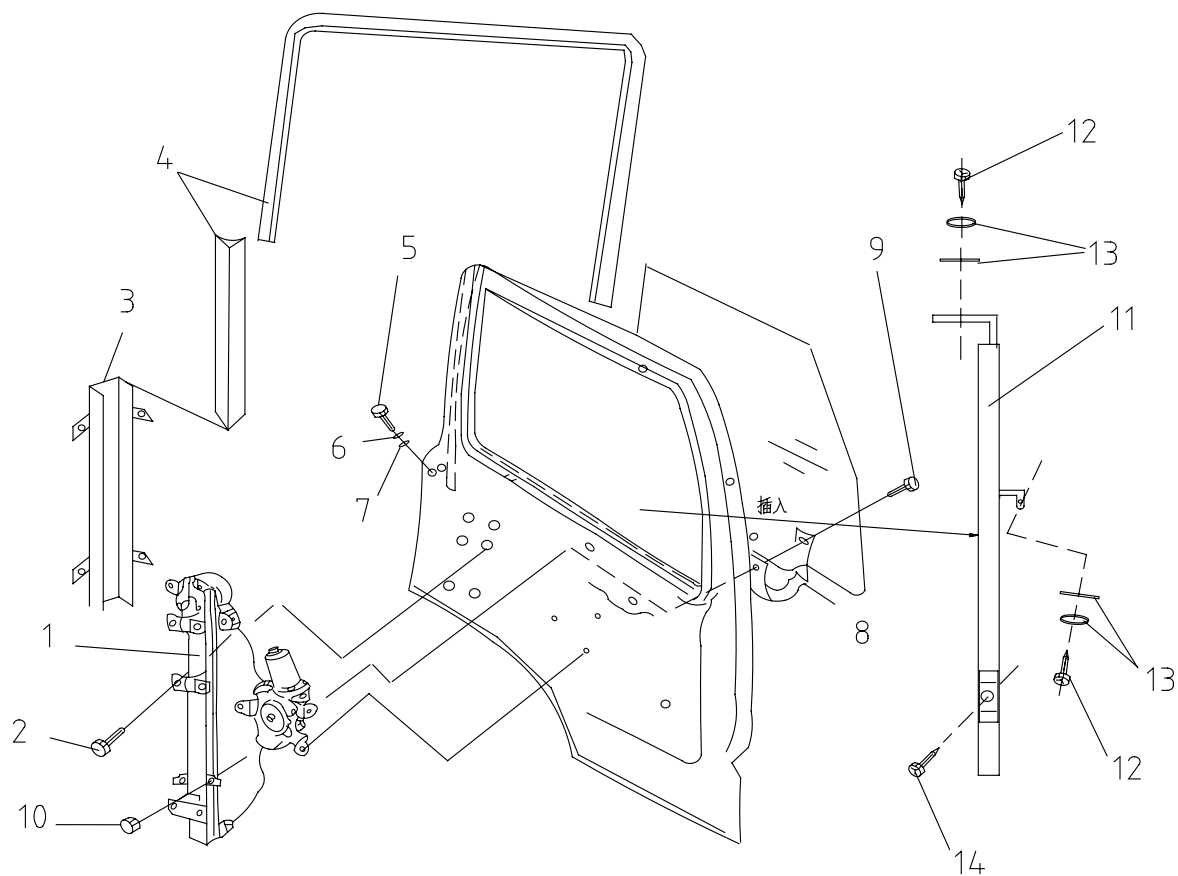
车门系统 / DOOR SYSTEM

61-4

| 序号<br>No. | 件号<br>Part No. | 数量<br>Quantity | 名称<br>Name   | 规格<br>Specification | 适用产品<br>Products Applied | 备注<br>Remark |
|-----------|----------------|----------------|--|---------------------|--------------------------|--------------|
| 12        | Q1460612       | 4              | 六角头组合螺栓<br>Hexagon Head Combination Bolt                                     |                     |                          |              |
| 13        | 6105B-051      | 2              | 内锁止按钮<br>Inside Lock Button  |                     |                          |              |
| 14        | 6105B-055      | 2              | 导向套<br>Pilot Sleeve  |                     |                          |              |
| 15        | Q2734816       | 4              | 十字槽大半圆头自攻螺钉<br>Cross Recessed Cup Head Self-Tapping Screw<br>With Large Head |                     |                          |              |

## 车门导轨升降器 / DOOR RAIL REGULATOR

## 61-B





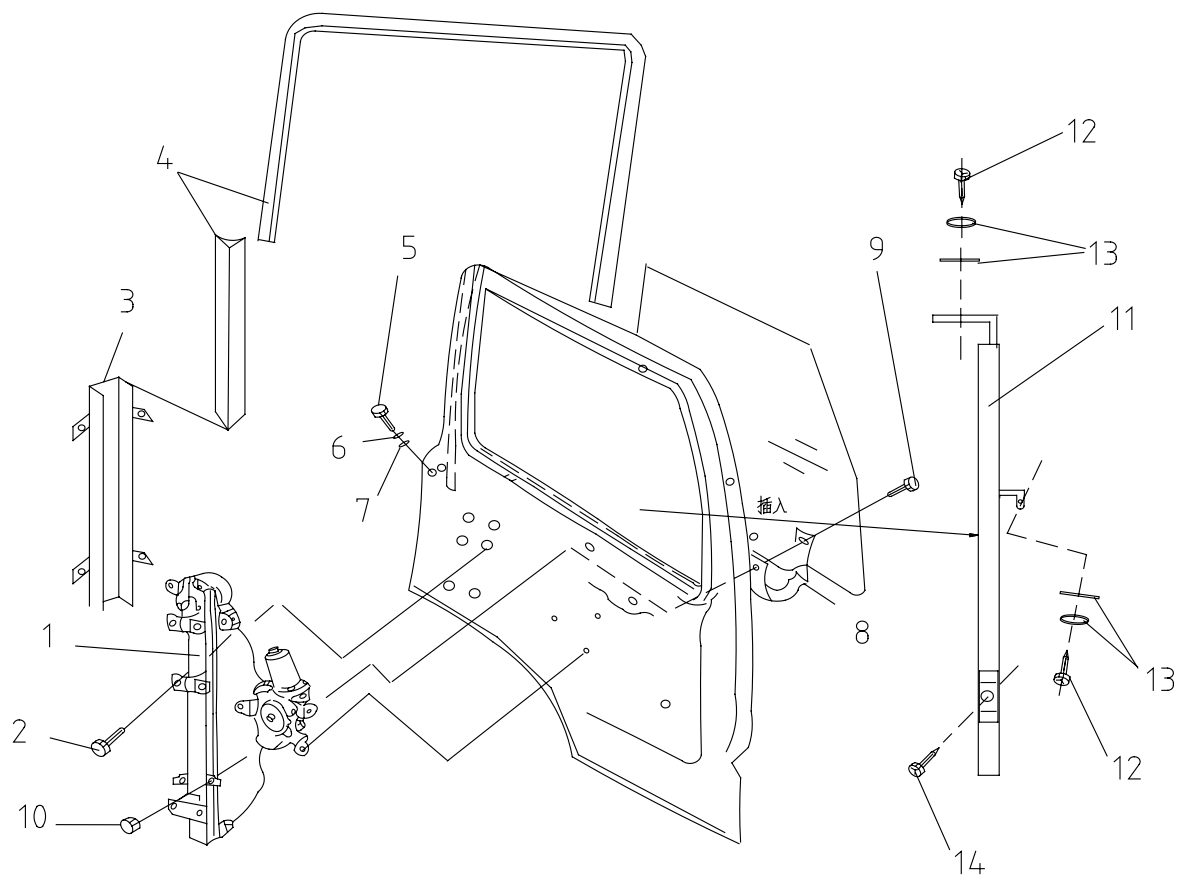
# 车门系统 / DOOR SYSTEM

61-6

| 序号<br>No. | 件号<br>Part No. | 数量<br>Quantity | 名称<br>Name   | 规格<br>Specification | 适用产品<br>Products Applied | 备注<br>Remark |
|-----------|----------------|----------------|--|---------------------|--------------------------|--------------|
| 1         | 6104A1-009     | 1              | 左玻璃升降器总成<br>Window Regulator Assembly LH                 |                     |                          |              |
|           | 6104A1-010     | 1              | 右玻璃升降器总成<br>Window Regulator Assembly RH                 |                     |                          |              |
| 2         | Q150B0616      | 18             | 六角头螺栓<br>Hexagon Head Bolt                               |                     |                          |              |
|           | Q40106         | 18             | 平垫圈<br>Plate Washer                                      |                     |                          |              |
|           | Q40306         | 18             | 弹簧垫圈<br>Spring Washer                                    |                     |                          |              |
| 3         | 61B-03081/82   | 1/1            | 左 / 右车门玻璃导轨下段总成<br>Door Window Rail Lower Assembly LH/RH |                     |                          |              |
|           | 61B-03082      | 2              | 车门玻璃导轨下段总成<br>Door Window Rail Lower Assembly            |                     |                          |              |
| 4         | 61B-07035/36   | 2              | 左 / 右门玻璃导轨密封条<br>Door Window Rail Weather-Strip LH/RH    |                     |                          |              |
| 5         | Q2140620       | 8              | 十字槽螺钉<br>Cross Recessed Screw                            |                     |                          |              |
| 6         | Q40306         | 8              | 弹簧垫圈<br>Spring Washer                                    |                     |                          |              |
| 7         | Q40206         | 8              | 大垫圈<br>Big Washer  |                     |                          |              |
| 8         | 61A-03017      | 4              | 玻璃夹片<br>Window Clamp                                     |                     |                          |              |
| 9         | Q150B0620      | 4              | 六角头螺栓<br>Hexagon Head Bolt                               |                     |                          |              |
| 10        | Q32006         | 4              | 六角法兰面螺母<br>Hexagon Nut With Flange                       |                     |                          |              |

## 车门导轨升降器 / DOOR RAIL REGULATOR

## 61-B



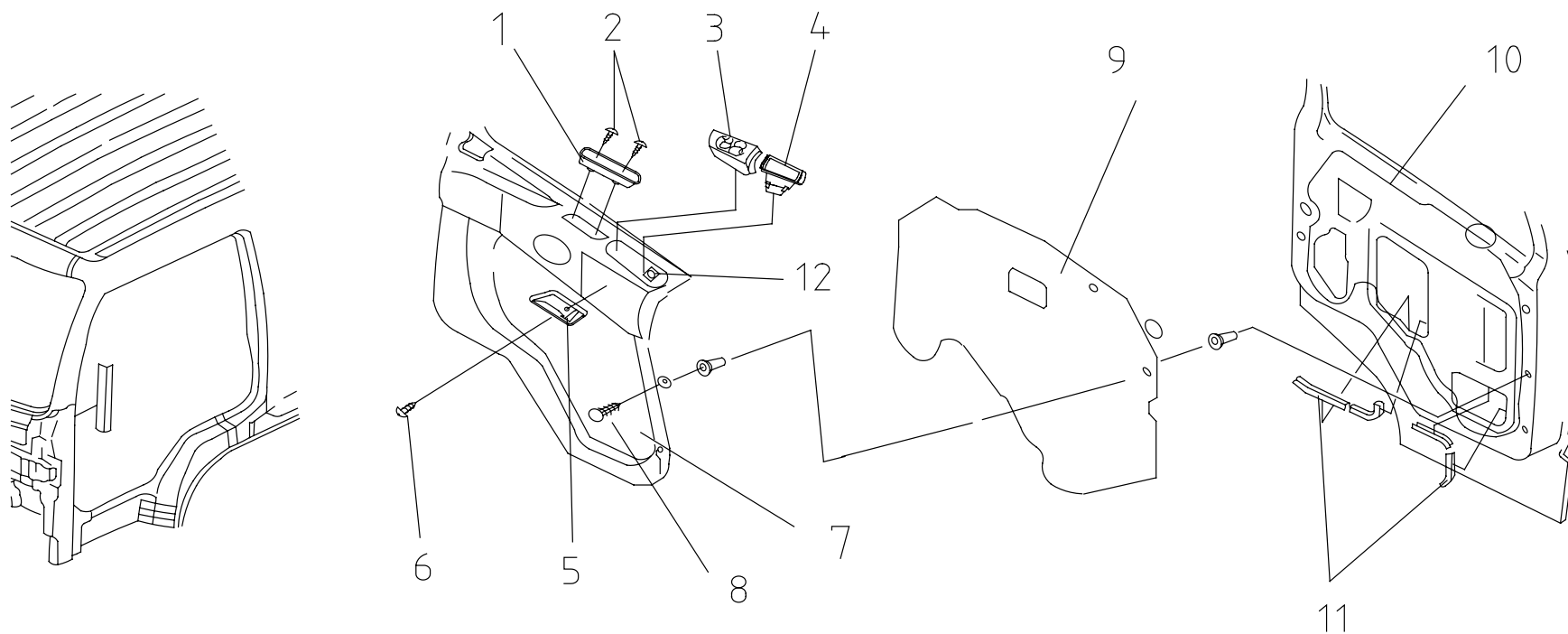
车门系统 / DOOR SYSTEM

61-8

| 序号<br>No. | 件号<br>Part No. | 数量<br>Quantity | 名称<br>Name                                       | 规格<br>Specification | 适用产品<br>Products Applied | 备注<br>Remark |
|-----------|----------------|----------------|--|---------------------|--------------------------|--------------|
| 11        | 61B-03070/75   | 1/1            | 左 / 右车门玻璃导轨总成<br>Door Window Rail Assembly LH/RH |                     |                          |              |
| 12        | Q2360616       | 4              | 十字槽组合螺钉<br>Cross Recessed Combination Screw      |                     |                          |              |
| 13        | Q40206         | 2              | 大平垫<br>Big Plate Washer                          |                     |                          |              |
|           | Q40306         | 2              | 弹簧垫圈<br>Spring Washer                            |                     |                          |              |
| 14        | Q2140512       | 2              | 十字槽盘头螺钉<br>Cross Recessed Pan Head Screw         |                     |                          |              |

## 车门内护板 / DOOR INSIDE PROTECTING PLATE

## 61-C



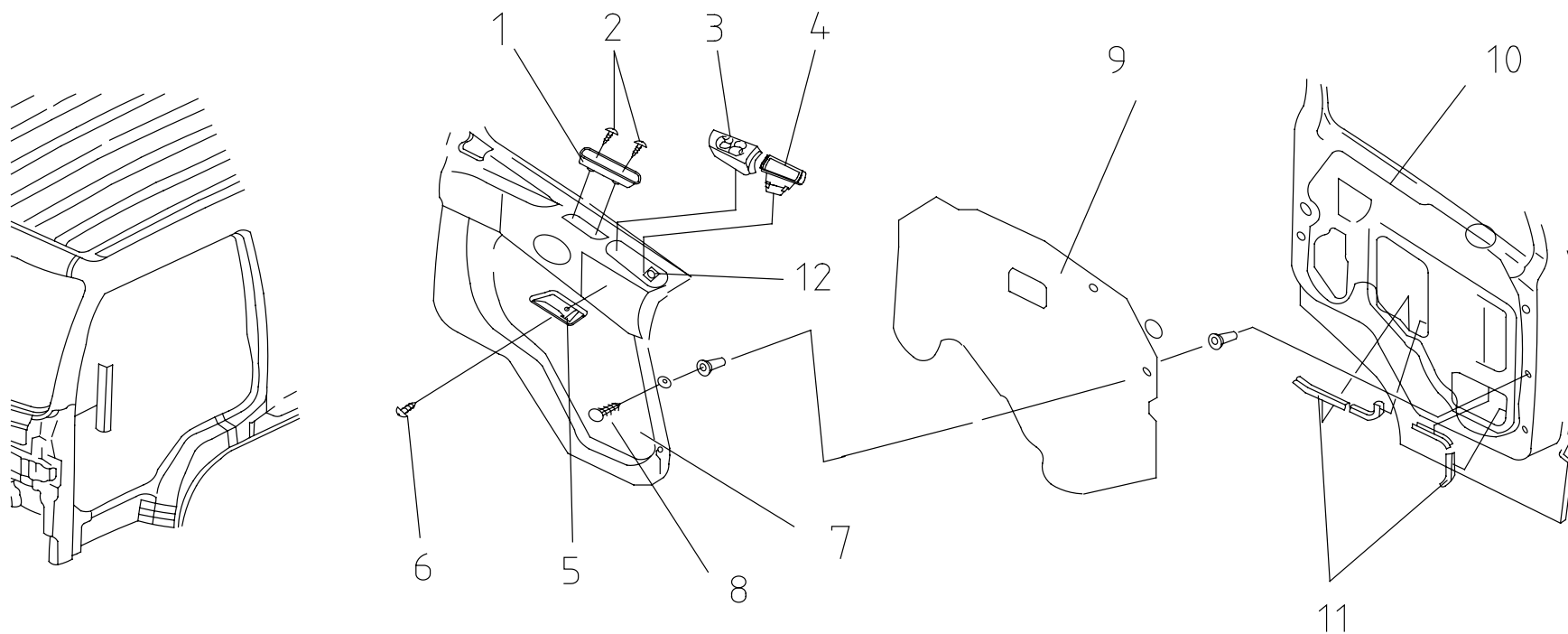
车门系统 / DOOR SYSTEM

61-10

| 序号<br>No. | 件号<br>Part No. | 数量<br>Quantity | 名称<br>Name   | 规格<br>Specification | 适用产品<br>Products Applied | 备注<br>Remark |
|-----------|----------------|----------------|--|---------------------|--------------------------|--------------|
| 1         | 61A-02027      | 1              | 左车门内把手<br>Door Inside Handle LH  |                     |                          |              |
|           | 61A-02028      | 1              | 右车门内把手<br>Door Inside Handle RH  |                     |                          |              |
| 2         | Q2734816       | 4              | 十字槽大半圆头自攻螺钉<br>Cross Recessed Cup Head Self-Tapping Screw<br>With Large Head |                     |                          |              |
| 3         | 61A1-02071/2   | 1              | 左 / 右门窗开关护罩<br>Door Window Switch Cover LH/RH                                |                     | 右驾系列<br>RHD Series       |              |
|           | 61AY-02071/2   | 1              | 左 / 右门窗开关护罩<br>Door Window Switch Cover LH/RH                                |                     |                          |              |
| 4         | 61A1-02059     | 1              | 左烟灰盒总成<br>Ash Tray Assembly LH   |                     |                          |              |
|           | 61A1-02060     | 1              | 右烟灰盒总成<br>Ash Tray Assembly RH   |                     |                          |              |
|           | Q2734816       | 4              | 十字槽大半圆头自攻螺钉<br>Cross Recessed Cup Head Self-Tapping Screw<br>With Large Head |                     |                          |              |
| 5         | 61A-02025      | 1              | 左车门手柄护罩<br>Door Window Handle Cover LH                                       |                     |                          |              |
|           | 61A-02026      | 1              | 右车门手柄护罩<br>Door Window Handle Cover RH                                       |                     |                          |              |
| 6         | Q2714216       | 2              | 十字槽盘头自攻螺钉<br>Cross Recessed Self-Tapping Screw                               |                     |                          |              |
| 7         | 61B1-02019/20  | 1/1            | 左 / 右车门护板<br>Door Protecting Plate LH/RH                                     |                     |                          |              |
| 8         | 61B1-02023     | 16             | 塑料卡扣<br>Plastic Buckle   |                     |                          |              |
|           | 54B-02018      | 2              | 方型塑料螺母 A<br>Square Plastic Nut A   |                     |                          |              |

## 车门内护板 / DOOR INSIDE PROTECTING PLATE

61-C



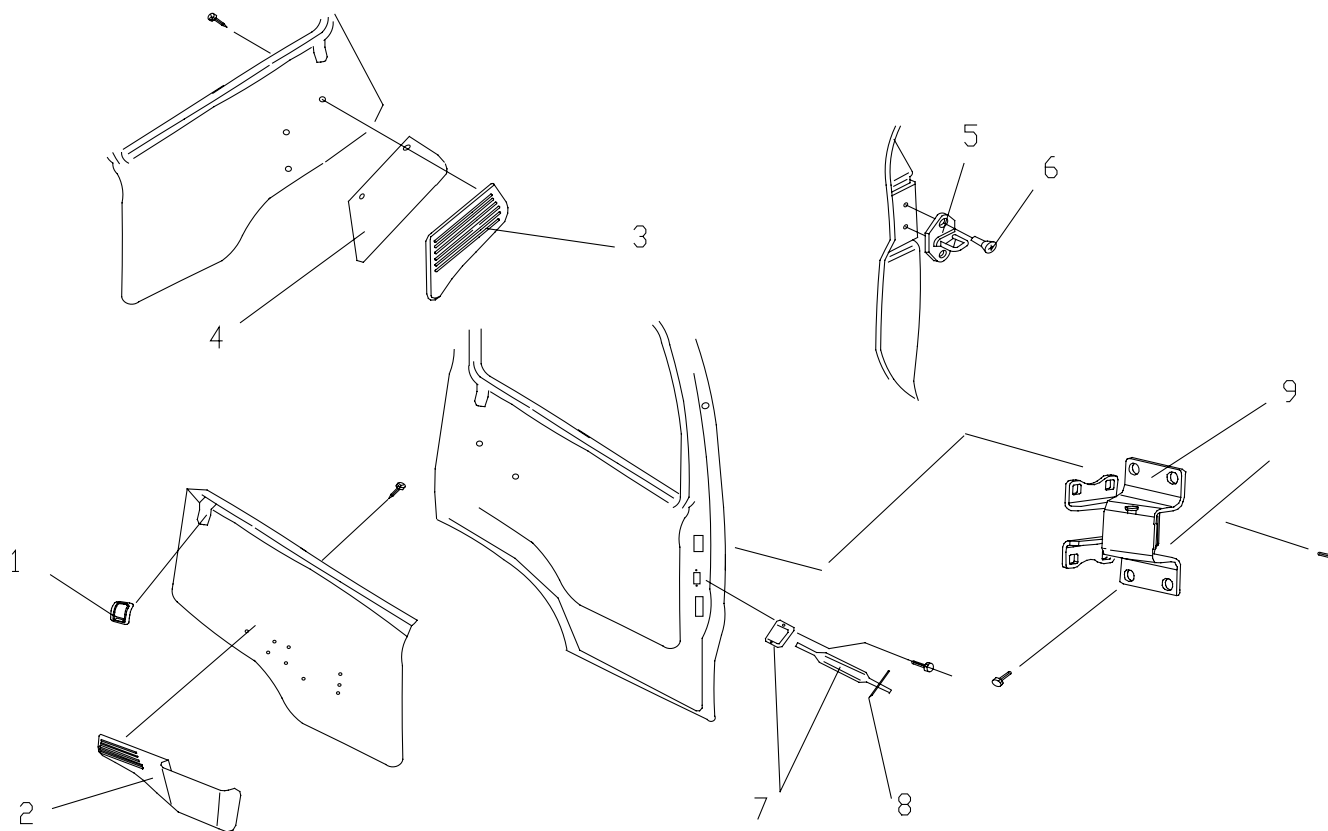
车门系统 / DOOR SYSTEM

61-12

| 序号<br>No. | 件号<br>Part No. | 数量<br>Quantity | 名称<br>Name   | 规格<br>Specification | 适用产品<br>Products Applied | 备注<br>Remark |
|-----------|----------------|----------------|--|---------------------|--------------------------|--------------|
| 8         | Q2734816       | 2              | 十字槽大半圆头自攻螺钉<br>Cross Recessed Cup Head Self-Tapping Screw<br>With Large Head |                     |                          |              |
| 9         | 61B-07068      | 2              | 防水帘<br>Waterproof Shade  |                     |                          |              |
| 10        |                |                | LY-19 丁基胶带<br>LY-19 Butyl Tape   |                     |                          |              |
| 11        | 61A-01070      | 8              | 棱边护套<br>Edge Protector   |                     |                          |              |
| 12        | 51A-03042      | 4              | 小弹片螺母<br>Small Spring Nut  |                     |                          |              |

## 车门铰链 / DOOR HINGE

61-D





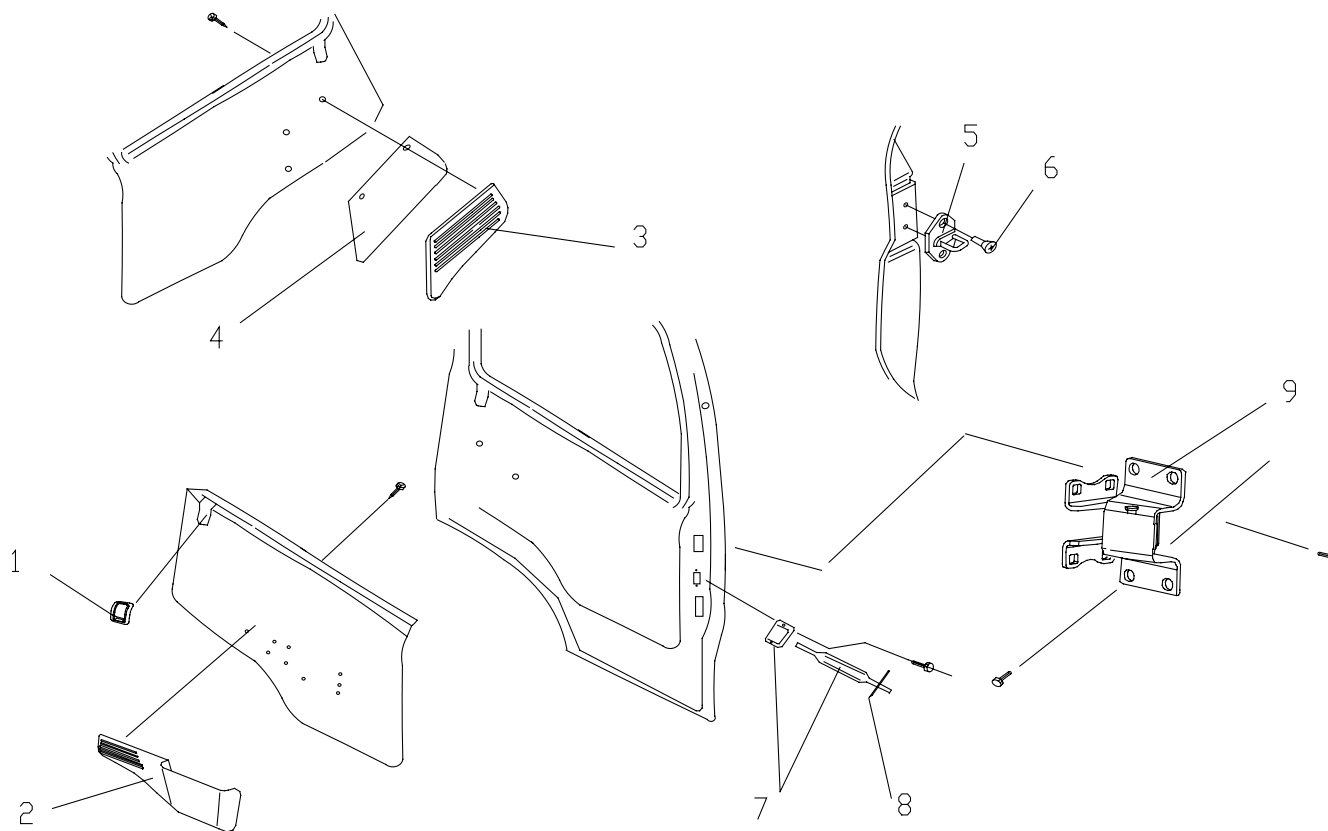
车门系统 / DOOR SYSTEM

61-14

| 序号<br>No. | 件号<br>Part No. | 数量<br>Quantity | 名称<br>Name  | 规格<br>Specification | 适用产品<br>Products Applied | 备注<br>Remark |
|-----------|----------------|----------------|---|---------------------|--------------------------|--------------|
| 1         | 61A-02029      | 1              | 门锁按钮罩 - 左<br>Door Lock Knob Cover-LH  |                     |                          |              |
|           | 61A-02030      | 1              | 门锁按钮罩 - 右<br>Door Lock Knob Cover-RH  |                     |                          |              |
| 2         | 61B1-02035     | 1              | 左门置物盒饰板<br>Door Storage Box Trim LH   |                     |                          |              |
|           | 61AY-02042     | 1              | 右门置物盒饰板<br>Door Storage Box Trim RH   |                     | 右驾系列<br>RHD Series       |              |
|           | Q2733595       | 9              | 十字槽大半圆头自攻螺钉<br>Cross Recessed Cup Head Self-Tapping Screw<br>With Large Head      |                     |                          |              |
| 3         | 61B1-02042     | 1              | 右通风口盖板<br>Vent Cover RH   |                     |                          |              |
| 4         | 61B1-02044     | 1              | 橡胶片 - 右通风口盖板<br>Rubber Plate-Vent Cover RH  |                     |                          |              |
|           | Q2733595       | 3              | 十字槽大半圆头自攻螺钉<br>Cross Recessed Cup Head Self-Tapping Screw<br>With Large Head      |                     |                          |              |
| 5         | 6105B-045      | 2              | 门锁锁钩总成<br>Door Lock Hook Assembly   |                     |                          |              |
| 6         | Q2340616       | 4              | 十字槽盘头外齿垫圈组合螺钉<br>Cross Recessed Pan Head Combination Screw<br>With Toothed Washer |                     |                          |              |
| 7         | 6109B-010      | 2              | 门限位器总成<br>Door Check Assembly   |                     |                          |              |
|           | Q1460616       | 4              | 六角头组合螺栓<br>Hexagon Head Combination Bolt  |                     |                          |              |
| 8         | 61A-09021      | 2              | 弹性圆柱销<br>Spring Cylindrical Pin   |                     |                          |              |
| 9         | 61B-06010      | 4              | 车门铰链总成<br>Door Hinge Assembly   |                     |                          |              |

## 车门铰链 / DOOR HINGE

61-D



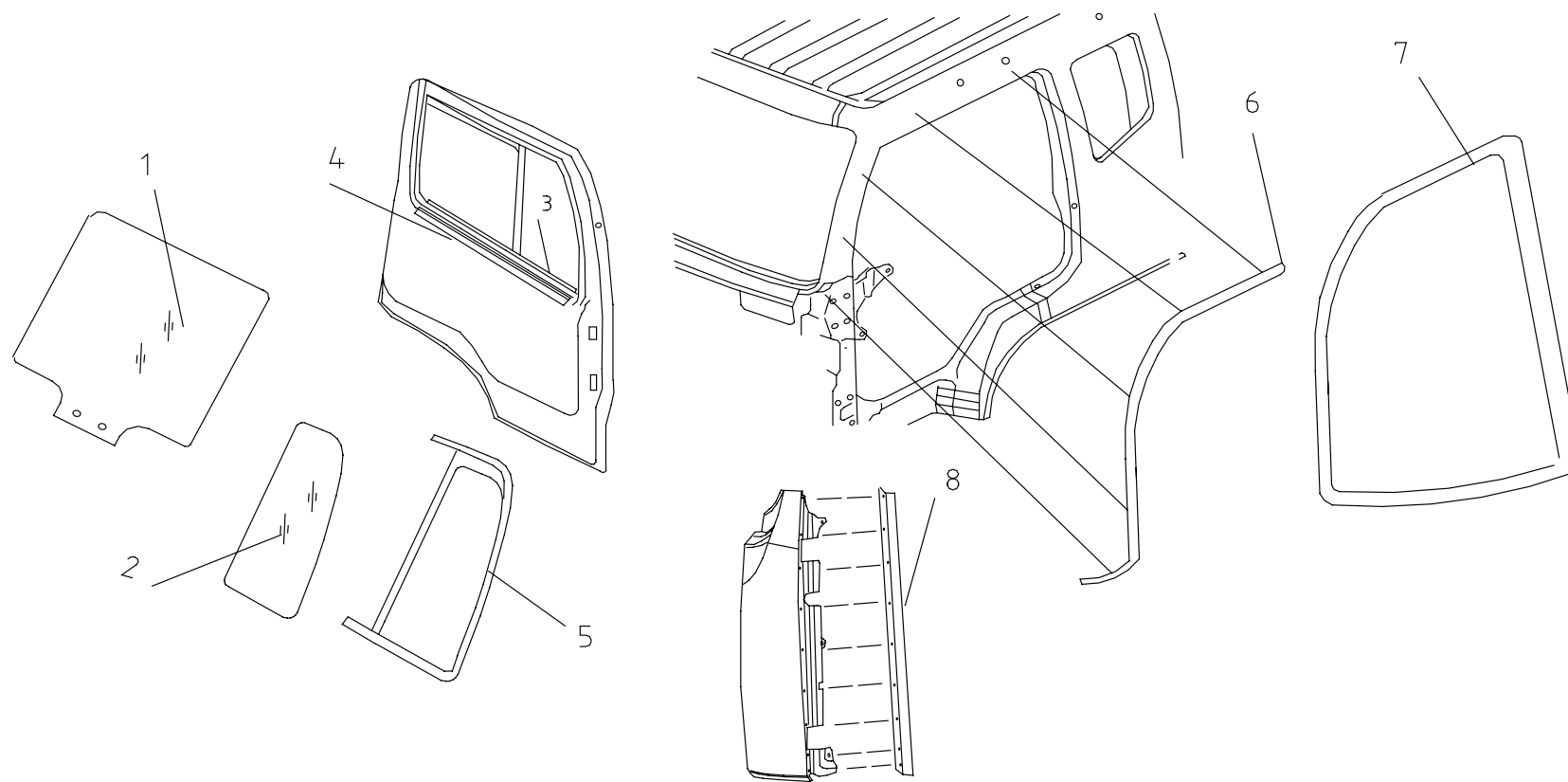
车门系统 / DOOR SYSTEM

61-16

| 序号<br>No. | 件号<br>Part No. | 数量<br>Quantity | 名称<br>Name                               | 规格<br>Specification | 适用产品<br>Products Applied | 备注<br>Remark |
|-----------|----------------|----------------|--|---------------------|--------------------------|--------------|
| 9         | Q1460820       | 32             | 六角头组合螺栓<br>Hexagon Head Combination Bolt |                     |                          |              |

## 车门玻璃、密封条 / DOOR GLASS, WEATHER STRIP

61-E



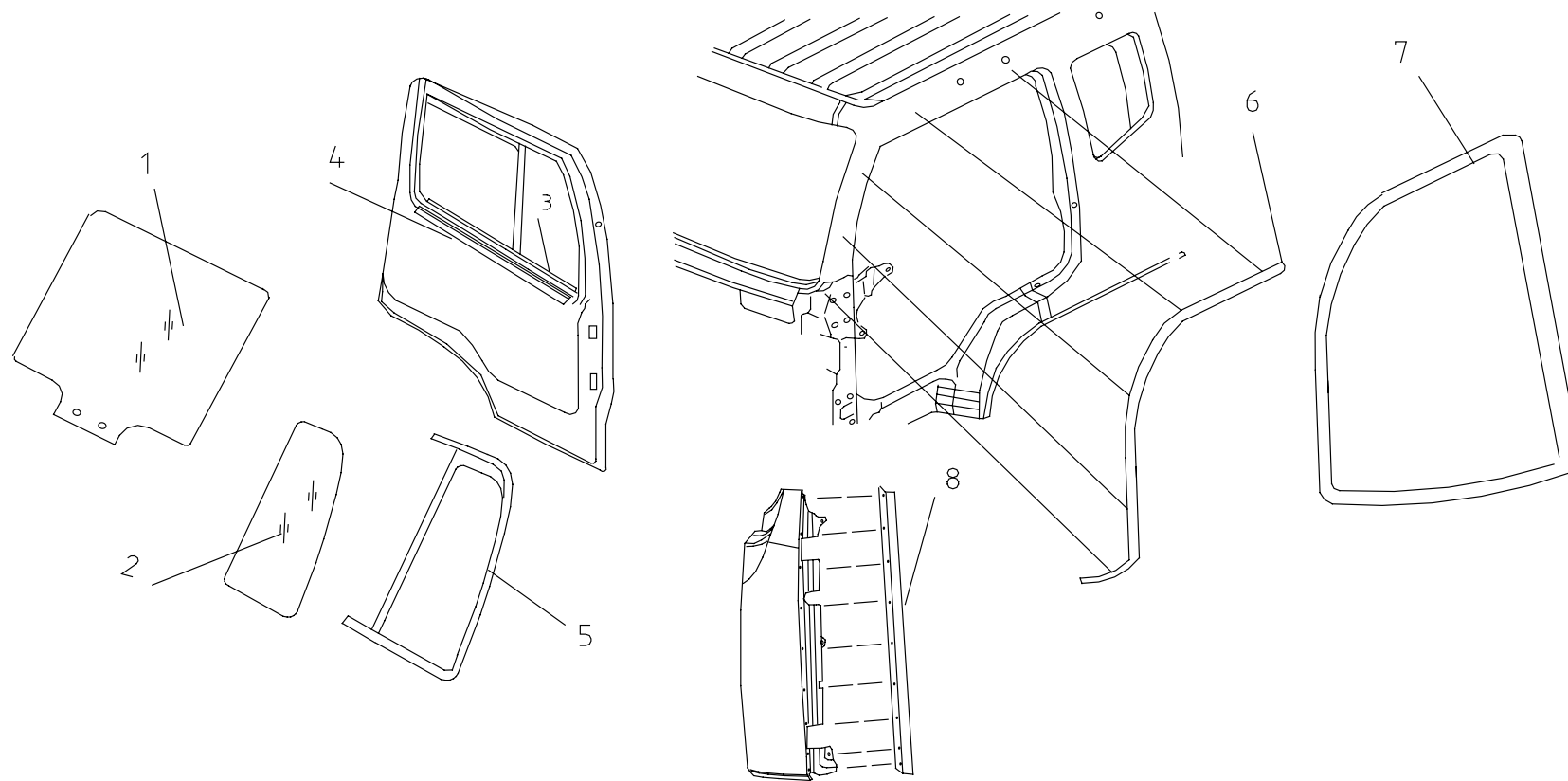
车门系统 / DOOR SYSTEM

61-18

| 序号<br>No. | 件号<br>Part No. | 数量<br>Quantity | 名称<br>Name  | 规格<br>Specification | 适用产品<br>Products Applied | 备注<br>Remark |
|-----------|----------------|----------------|---|---------------------|--------------------------|--------------|
| 1         | 61B-03011      | 1              | 左车门玻璃<br>Door Glass LH                                  |                     |                          |              |
|           | 61B-03012      | 1              | 右车门玻璃<br>Door Glass RH                                  |                     |                          |              |
| 2         | 61B1-03061     | 1              | 左三角窗玻璃<br>Quarter Window Glass LH                       |                     |                          |              |
|           | 61B1-03062     | 1              | 右三角窗玻璃<br>Quarter Window Glass RH                       |                     |                          |              |
| 3         | 61B-07015      | 1              | 左门窗台外密封条总成<br>Window Ouer Weather Strip Assembly LH     |                     |                          |              |
|           | 61B-07016      | 1              | 右门窗台外密封条总成<br>Window Ouer Weather Strip Assembly RH     |                     |                          |              |
| 4         | 61B-07025      | 1              | 左门窗台内密封条总成<br>Window Inner Weather Strip Assembly LH    |                     |                          |              |
|           | 61B-07026      | 1              | 右门窗台内密封条总成<br>Window Inner Weather Strip Assembly RH    |                     |                          |              |
| 5         | 61B1-07045     | 1              | 左三角窗密封条<br>Quarter Window Weather Strip LH              |                     |                          |              |
|           | 61B1-07046     | 1              | 右三角窗密封条<br>Quarter Window Weather Strip RH              |                     |                          |              |
| 6         | 61B-07061      | 1              | 左门框上密封条总成<br>Door Frame Upper Weather Strip Assembly LH |                     |                          |              |
|           | 61B-07062      | 1              | 右门框上密封条总成<br>Door Frame Upper Weather Strip Assembly RH |                     |                          |              |
| 7         | 61B-07055      | 1              | 左门框密封条总成<br>Door Frame Weather Strip Assembly LH        |                     |                          |              |
|           | 61B-07056      | 1              | 右门框密封条总成<br>Door Frame Weather Strip Assembly RH        |                     |                          |              |

## 车门玻璃、密封条 / DOOR GLASS, WEATHER STRIP

61-E



车门系统 / DOOR SYSTEM

61-20

| 序号<br>No. | 件号<br>Part No. | 数量<br>Quantity | 名称<br>Name  | 规格<br>Specification | 适用产品<br>Products Applied | 备注<br>Remark |
|-----------|----------------|----------------|---|---------------------|--------------------------|--------------|
| 8         | 61B-07065      | 1              | 左门框下密封条总成<br>Door Frame Lower Weather Strip Assembly LH |                     |                          |              |
|           | 61B-07066      | 1              | 右门框下密封条总成<br>Door Frame Lower Weather Strip Assembly RH |                     |                          |              |





68

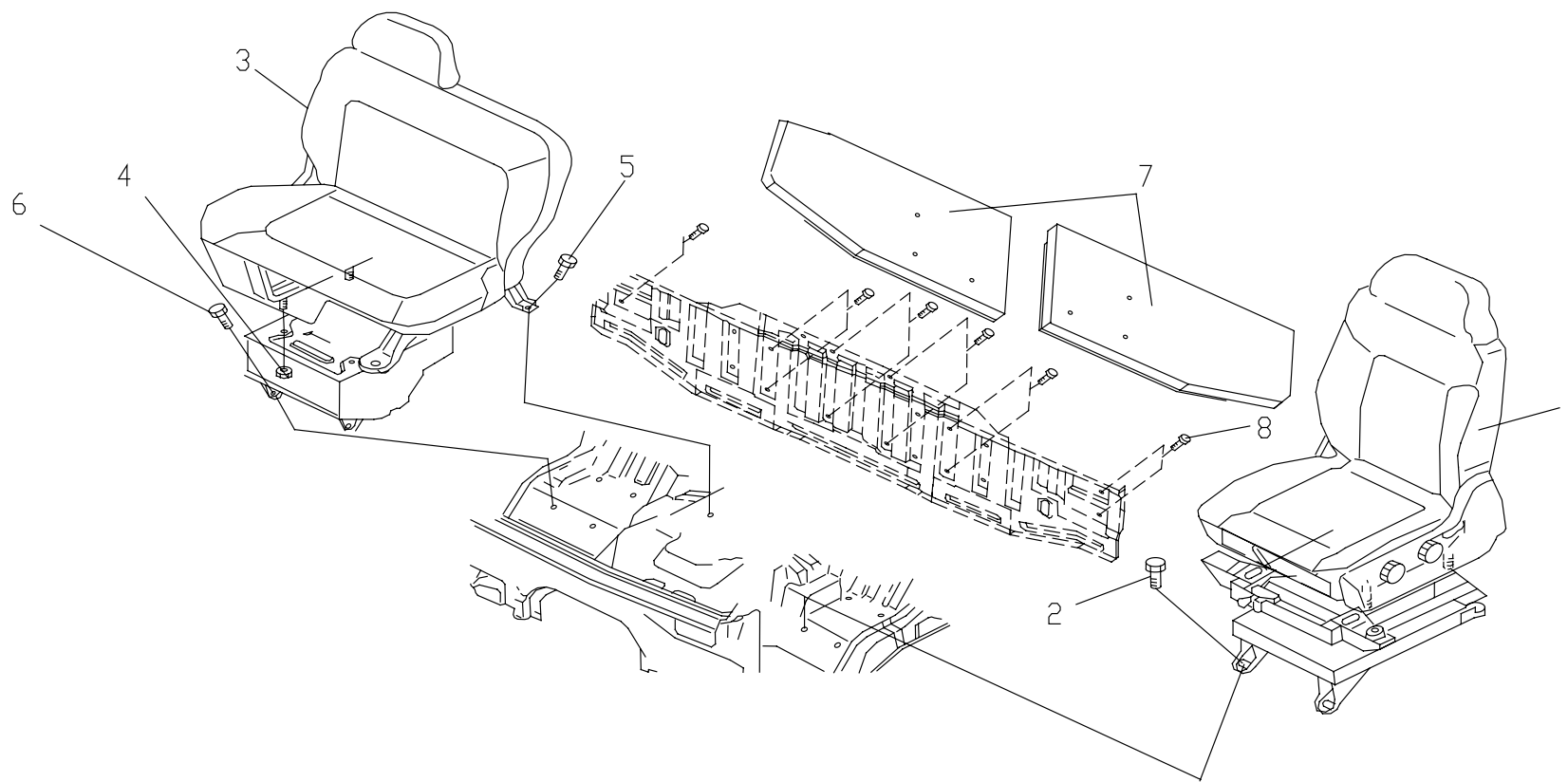
**座椅、卧铺系统**

***SEAT, SLEEPING***

***BERTH SYSTEM***

## 座椅、卧铺 / SEAT, SLEEPING BERTH

68-A



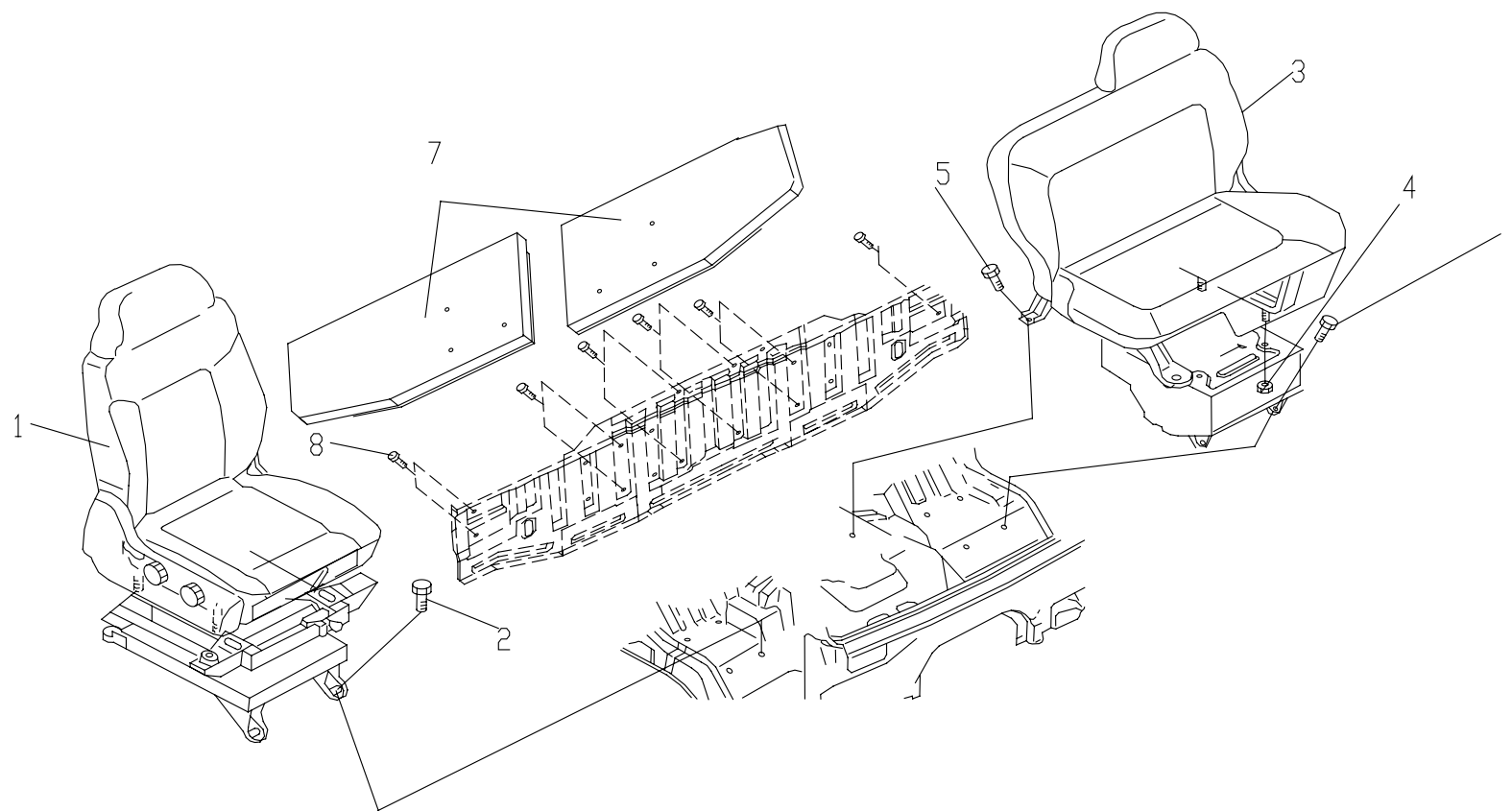
座椅、卧铺系统 / SEAT,SLEEPING BERTH SYSTEM

68-2

| 序号<br>No. | 件号<br>Part No. | 数量<br>Quantity | 名称<br>Name                               | 规格<br>Specification | 适用产品<br>Products Applied  | 备注<br>Remark |
|-----------|----------------|----------------|--|---------------------|---------------------------|--------------|
| 1         | 6800A-001      | 1              | 司机座椅总成<br>Driver Seat Assembly           |                     |                           |              |
| 2         | Q1461030       | 4              | 六角头组合螺栓<br>Hexagon Head Combination Bolt |                     |                           |              |
| 3         | 6900A-001      | 1              | 乘客座椅总成<br>Passenger Seat Assembly        |                     |                           |              |
|           | 6900A5-001     | 1              | 乘客座椅总成<br>Passenger Seat Assembly        |                     | 窄体系列<br>Narrow Cab Series |              |
| 4         | Q340B08        | 2              | I型六角螺母<br>Hexagon Full Nut               |                     |                           |              |
| 5         | Q1460825       | 2              | 六角头组合螺栓<br>Hexagon Head Combination Bolt |                     |                           |              |
| 6         | Q1461030       | 4              | 六角头组合螺栓<br>Hexagon Head Combination Bolt |                     |                           |              |
| 7         | 70A-00001      | 1              | 卧铺装置总成<br>Sleeping Berth Unit Assembly   |                     |                           |              |
|           | 70A5-00001     | 1              | 卧铺装置总成<br>Sleeping Berth Unit Assembly   |                     | 窄体系列<br>Narrow Cab Series |              |
| 8         | Q1460816       | 12             | 六角头组合螺栓<br>Hexagon Head Combination Bolt |                     |                           |              |

座椅、卧铺系统装置图 (右驾系列)  
SEAT, SLEEPING BERTH SYSTEM (RHD SERIES)

68-B



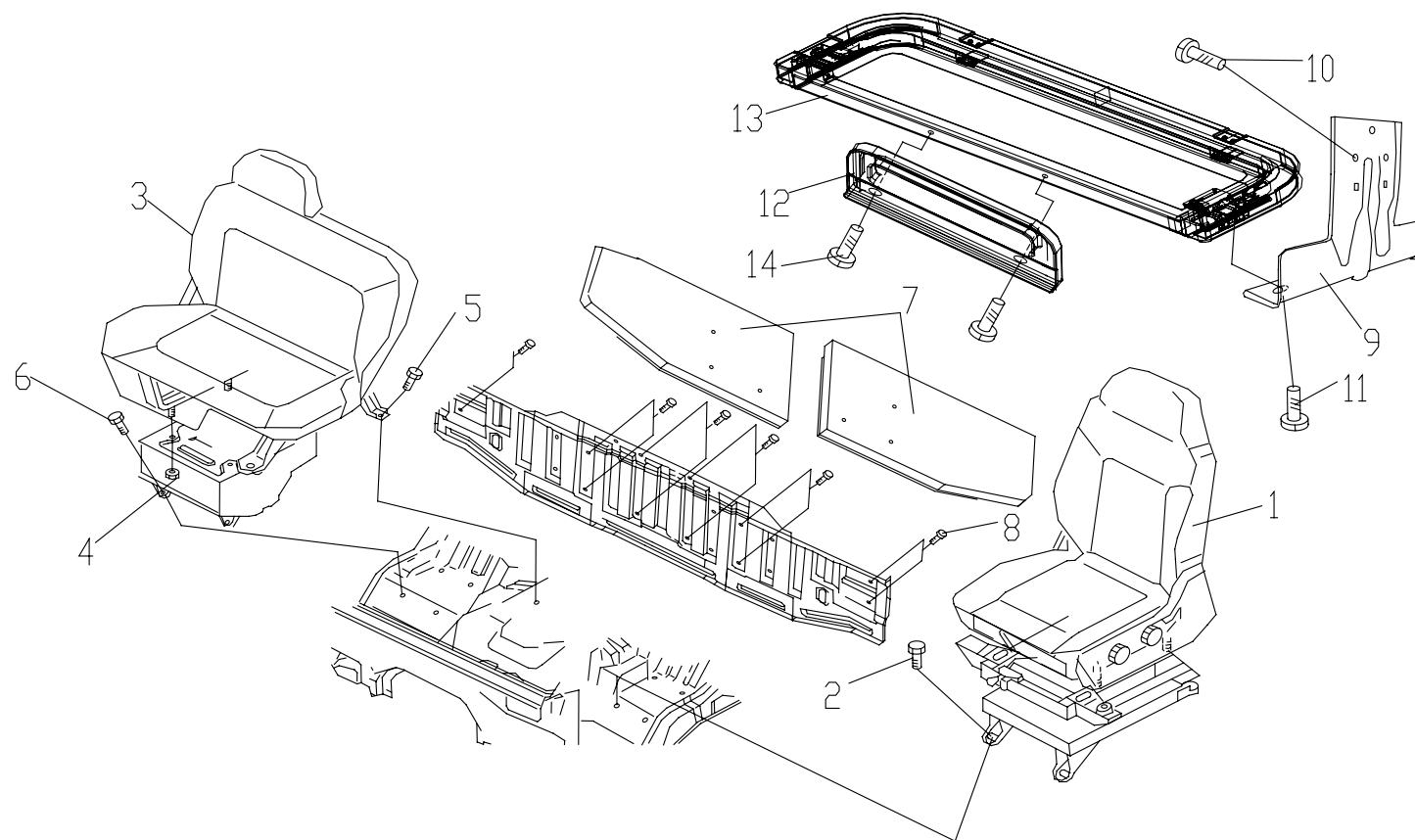
## 座椅、卧铺系统 / SEAT, SLEEPING BERTH SYSTEM

68-4

| 序号<br>No. | 件号<br>Part No. | 数量<br>Quantity | 名称<br>Name                               | 规格<br>Specification | 适用产品<br>Products Applied | 备注<br>Remark |
|-----------|----------------|----------------|--|---------------------|--------------------------|--------------|
| 1         | 6800Y-001      | 1              | 司机座椅总成<br>Driver Seat Assembly           |                     | 右驾系列<br>RHD Series       |              |
| 2         | Q1461030       | 4              | 六角头组合螺栓<br>Hexagon Head Combination Bolt |                     |                          |              |
| 3         | 6900Y-001      | 1              | 乘客座椅总成<br>Passenger Seat Assembly        |                     | 右驾系列<br>RHD Series       |              |
| 4         | Q340B08        | 2              | I型六角螺母<br>Hexagon Full Nut               |                     |                          |              |
| 5         | Q1460825       | 2              | 六角头组合螺栓<br>Hexagon Head Combination Bolt |                     |                          |              |
| 6         | Q1461030       | 4              | 六角头组合螺栓<br>Hexagon Head Combination Bolt |                     |                          |              |
| 7         | 70A-00001      | 1              | 卧铺装置总成<br>Sleeping Berth Unit Assembly   |                     |                          |              |
| 8         | Q1460816       | 12             | 六角头组合螺栓<br>Hexagon Head Combination Bolt |                     |                          |              |

## 座椅、卧铺系统 / SEAT, SLEEPING BERTH SYSTEM

## 68-C



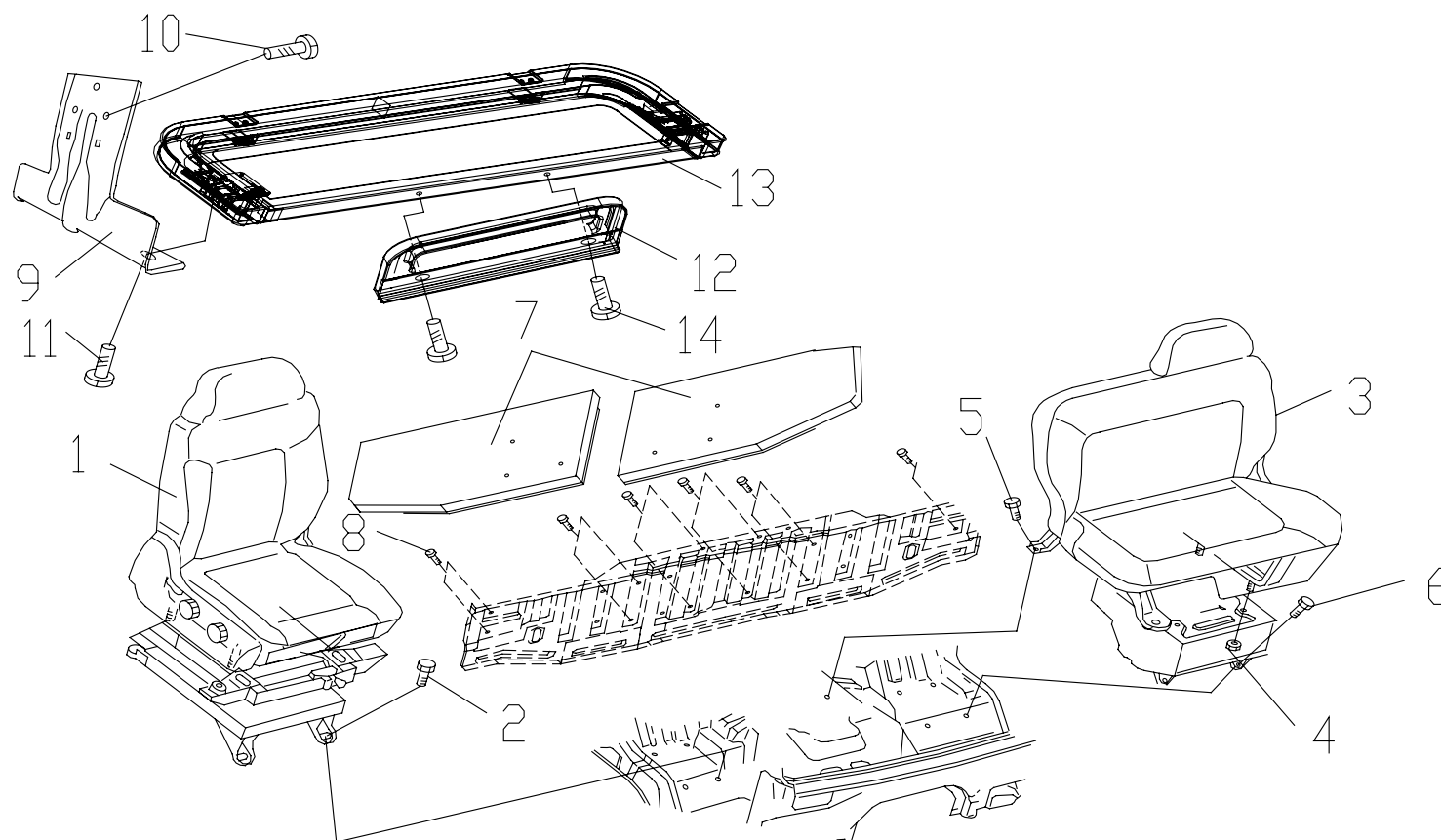
座椅、卧铺系统 / SEAT,SLEEPING BERTH SYSTEM

68-6

| 序号<br>No. | 件号<br>Part No. | 数量<br>Quantity | 名称<br>Name                                  | 规格<br>Specification | 适用产品<br>Products Applied                       | 备注<br>Remark |
|-----------|----------------|----------------|---|---------------------|--|--------------|
| 1         | 6800A-001      | 1              | 司机座椅总成<br>Driver Seat Assembly              |                     | 68-C 部分为高顶驾驶室专用<br>68-C Only For High Roof Cab |              |
| 2         | Q1461030       | 4              | 六角头组合螺栓<br>Hexagon Head Combination Bolt    |                     |  |              |
| 3         | 6900A-001      | 1              | 乘客座椅总成<br>Passenger Seat Assembly           |                     |  |              |
| 4         | Q340B08        | 2              | I 型六角螺母<br>Hexagon Full Nut                 |                     |  |              |
| 5         | Q1460825       | 2              | 六角头组合螺栓<br>Hexagon Head Combination Bolt    |                     |  |              |
| 6         | Q1461030       | 4              | 六角头组合螺栓<br>Hexagon Head Combination Bolt    |                     |  |              |
| 7         | 70A-00001      | 1              | 卧铺装置总成<br>Sleeping Berth Unit Assembly      |                     |  |              |
| 8         | Q1460816       | 12             | 六角头组合螺栓<br>Hexagon Head Combination Bolt    |                     |  |              |
| 9         | 70G-00061      | 2              | 托架 - 上卧铺<br>Tray-Upper Sleeping Berth       |                     |  |              |
| 10        | Q1460825       | 6              | 六角头组合螺栓<br>Hexagon Head Combination Bolt    |                     |  |              |
| 11        | Q1460820       | 4              | 六角头组合螺栓<br>Hexagon Head Combination Bolt    |                     |  |              |
| 12        | 70G-00055      | 1              | 护栏 - 上卧铺<br>Guard Bar -Upper Sleeping Berth |                     |  |              |
| 13        | 70G-00050      | 1              | 卧铺总成<br>Sleeping Berth Assembly             |                     |  |              |
| 14        | Q1460825       | 2              | 六角头组合螺栓<br>Hexagon Head Combination Bolt    |                     |  |              |

## 座椅、卧铺系统 (右驾系列) / SEAT, SLEEPING BERTH SYSTEM (RHD SERIES)

## 68-D





座椅、卧铺系统 / SEAT, SLEEPING BERTH SYSTEM

68-8

| 序号<br>No. | 件号<br>Part No. | 数量<br>Quantity | 名称<br>Name                                  | 规格<br>Specification | 适用产品<br>Products Applied | 备注<br>Remark |
|-----------|----------------|----------------|---|---------------------|--------------------------|--------------|
| 1         | 6800Y-001      | 1              | 司机座椅总成<br>Driver Seat Assembly              |                     | 右驾系列<br>RHD Series       |              |
| 2         | Q1461030       | 4              | 六角头组合螺栓<br>Hexagon Head Combination Bolt    |                     |                          |              |
| 3         | 6900Y-001      | 1              | 乘客座椅总成<br>Passenger Seat Assembly           |                     | 右驾系列<br>RHD Series       |              |
| 4         | Q340B08        | 2              | I型六角螺母<br>Hexagon Full Nut                  |                     |                          |              |
| 5         | Q1460825       | 2              | 六角头组合螺栓<br>Hexagon Head Combination Bolt    |                     |                          |              |
| 6         | Q1461030       | 4              | 六角头组合螺栓<br>Hexagon Head Combination Bolt    |                     |                          |              |
| 7         | 70A-00001      | 1              | 卧铺装置总成<br>Sleeping Berth Unit Assembly      |                     |                          |              |
| 8         | Q1460816       | 12             | 六角头组合螺栓<br>Hexagon Head Combination Bolt    |                     |                          |              |
| 9         | 70G-00061      | 2              | 托架 - 上卧铺<br>Tray-Upper Sleeping Berth       |                     |                          |              |
| 10        | Q1460825       | 6              | 六角头组合螺栓<br>Hexagon Head Combination Bolt    |                     |                          |              |
| 11        | Q1460820       | 4              | 六角头组合螺栓<br>Hexagon Head Combination Bolt    |                     |                          |              |
| 12        | 70G-00055      | 1              | 护栏 - 上卧铺<br>Guard Bar -Upper Sleeping Berth |                     |                          |              |
| 13        | 70G-00050      | 1              | 卧铺总成<br>Sleeping Berth Assembly             |                     |                          |              |
| 14        | Q1460825       | 2              | 六角头组合螺栓<br>Hexagon Head Combination Bolt    |                     |                          |              |



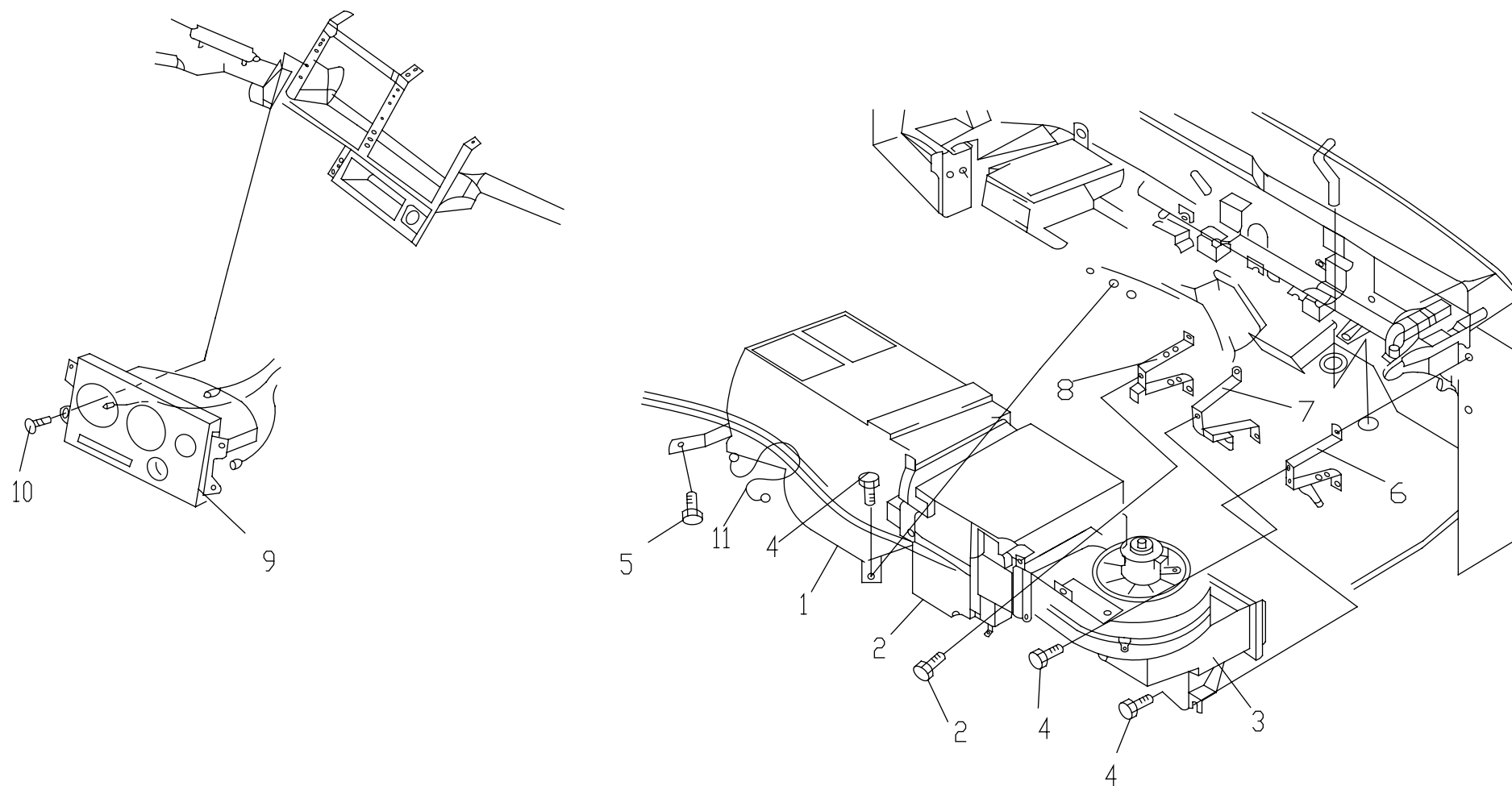
81

**空气调节系统**

**AIR CONDITIONING  
SYSTEM**

## 控制面板、三箱体 / CONTROL PANEL, THREE-BOX BODY

81-A



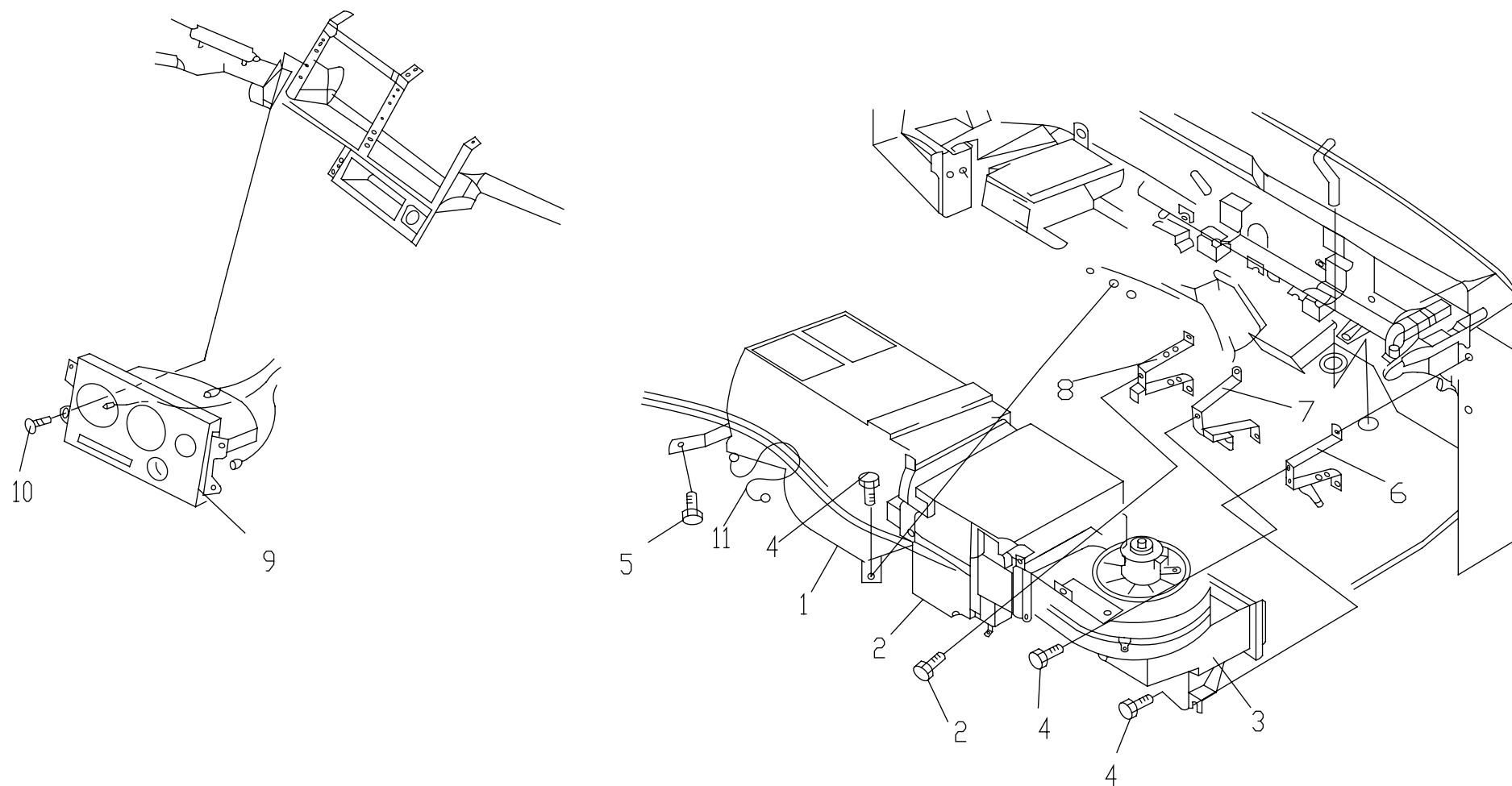
空气调节系统 / AIR CONDITIONING SYSTEM

81-2

| 序号<br>No. | 件号<br>Part No. | 数量<br>Quantity | 名称<br>Name   | 规格<br>Specification | 适用产品<br>Products Applied              | 备注<br>Remark |
|-----------|----------------|----------------|--|---------------------|---------------------------------------|--------------|
| 1         | 81A4D-01010    | 1              | 暖风机总成<br>Heater Assembly   |                     |                                       |              |
|           | 81A5-01010     | 1              | 暖风机总成<br>Heater Assembly   |                     | 窄体系列<br>Narrow Cab Series             |              |
| 2         | 8107A4D-010    | 1              | 蒸发器总成<br>Evaporation Assembly  |                     | 空调用<br>Air Conditioning               |              |
|           | 8107A7DZ-010   | 1              | 蒸发器总成<br>Evaporation Assembly  |                     | 仅独立暖风用<br>Only For Independent Heater |              |
|           | 8107A5-010     | 1              | 蒸发器总成<br>Evaporation Assembly  |                     | 窄体系列<br>Narrow Cab Series             |              |
| 3         | 37A4D-44010    | 1              | 鼓风机总成 - 带拉丝及新风口<br>Blower Assembly-W/Wire Drawing And New Air Door       |                     |                                       |              |
|           | 37A5-44010     | 1              | 鼓风机总成 - 带拉丝及新风口<br>Blower Assembly-W/Wire Drawing And New Air Door       |                     | 窄体系列<br>Narrow Cab Series             |              |
| 4         | Q1460820       | 4              | 六角头弹平垫组合螺栓<br>Hexagon Head Combination Bolt With Spring And Plate Washer |                     |                                       |              |
| 5         | Q1460816       | 1              | 六角头弹平垫组合螺栓<br>Hexagon Head Combination Bolt With Spring And Plate Washer |                     |                                       |              |
| 6         | 53A-01315      | 1              | 风箱支架总成 - I<br>Air Box Bracket Assembly- I                                |                     |                                       |              |
| 7         | 53A-01326      | 1              | 风箱支架总成 - II<br>Air Box Bracket Assembly- II                              |                     |                                       |              |
| 8         | 53A-01330      | 1              | 风箱支架总成 - III<br>Air Box Bracket Assembly- III                            |                     |                                       |              |
| 9         | 37A-44015      | 1              | 控制面板总成<br>Control Panel Assembly   |                     | 空调用<br>Air Conditioning               |              |
|           | 37A7DZ -44015  | 1              | 控制面板总成<br>Control Panel Assembly   |                     | 仅独立暖风用<br>Only For Independent Heater |              |

## 控制面板、三箱体 / CONTROL PANEL, THREE-BOX BODY

81-A



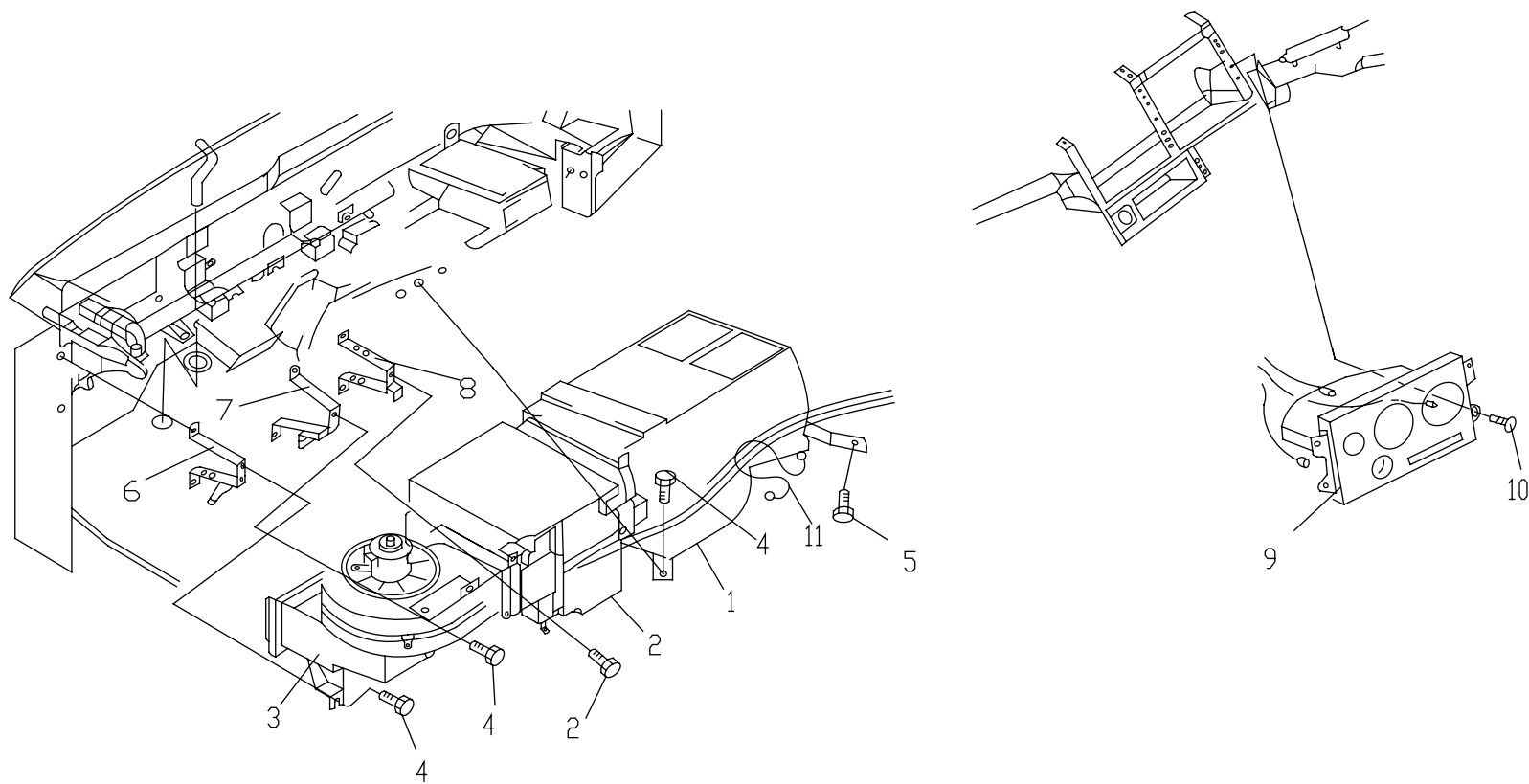
空气调节系统 / AIR CONDITIONING SYSTEM

81-4

| 序号<br>No. | 件号<br>Part No. | 数量<br>Quantity | 名称<br>Name                       | 规格<br>Specification | 适用产品<br>Products Applied              | 备注<br>Remark |
|-----------|----------------|----------------|----------------------------------|---------------------|---------------------------------------|--------------|
| 9         | 37A-44015      | 1              | 控制面板总成<br>Control Panel Assembly |                     | 空调用<br>Air Conditioning               |              |
|           | 37A7DZ -44015  | 1              | 控制面板总成<br>Control Panel Assembly |                     | 仅独立暖风用<br>Only For Independent Heater |              |
|           | 37A5-44015     | 1              | 控制面板总成<br>Control Panel Assembly |                     | 窄体系列<br>Narrow Cab Series             |              |
| 10        | Q2360412       | 4              | 组合螺钉<br>Combination Screw        |                     |                                       |              |
| 11        | 81A-01015      | 1              | O型尼龙卡箍<br>O-Nylon Retaining Ring |                     |                                       |              |

控制面板、三箱体（右驾系列）  
CONTROL PANEL, THREE-BOX BODY (RHD SERIES)

81-B





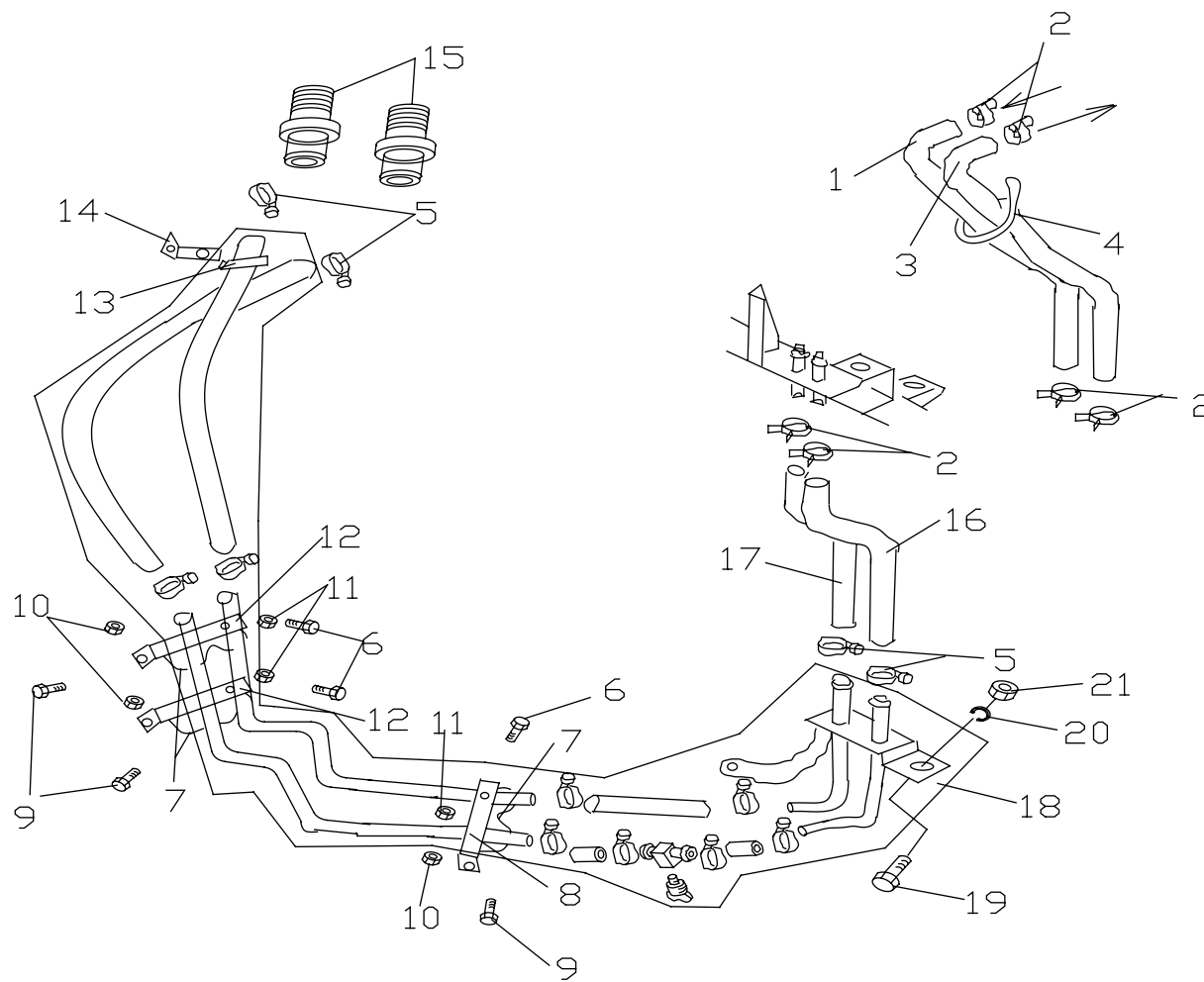
空气调节系统 / AIR CONDITIONING SYSTEM

81-6

| 序号<br>No. | 件号<br>Part No. | 数量<br>Quantity | 名称<br>Name   | 规格<br>Specification | 适用产品<br>Products Applied                       | 备注<br>Remark |
|-----------|----------------|----------------|--|---------------------|--|--------------|
| 1         | 81AY-01910     | 1              | 暖风机总成<br>Heater Assembly   |                     | 右驾系列<br>RHD Series                             |              |
| 2         | 8107AY-910     | 1              | 蒸发器总成<br>Evaporation Assembly  |                     | 右驾系列（空调用）<br>RHD Series (For Air Conditioning) |              |
| 3         | 37AY-44910     | 1              | 鼓风机总成 - 带拉丝及新风口<br>Blower Assembly-W/Wire Drawing And New Air Door       |                     | 右驾系列<br>RHD Series                             |              |
| 4         | Q1460820       | 4              | 六角头弹平垫组合螺栓<br>Hexagon Head Combination Bolt With Spring And Plate Washer |                     |  |              |
| 5         | Q1460816       | 1              | 六角头弹平垫组合螺栓<br>Hexagon Head Combination Bolt With Spring And Plate Washer |                     |  |              |
| 6         | 53AY-01315     | 1              | 风箱支架总成 - I<br>Air Box Bracket Assembly- I                                |                     | 右驾系列<br>RHD Series                             |              |
| 7         | 53AY-01326     | 1              | 风箱支架总成 - II<br>Air Box Bracket Assembly- II                              |                     | 右驾系列<br>RHD Series                             |              |
| 8         | 53A-01330      | 1              | 风箱支架总成 - III<br>Air Box Bracket Assembly- III                            |                     | 右驾系列（空调用）<br>RHD Series (For Air Conditioning) |              |
| 9         | 37AY-44015     | 1              | 控制面板总成<br>Control Panel Assembly   |                     |  |              |
| 10        | Q2360412       | 4              | 组合螺钉<br>Combination Screw  |                     |  |              |
| 11        | 81A-01015      | 1              | 0 型尼龙卡箍<br>O-Nylon Retaining Ring  |                     |  |              |

## 暖风管路 / HEATER PIPELINE

81-C



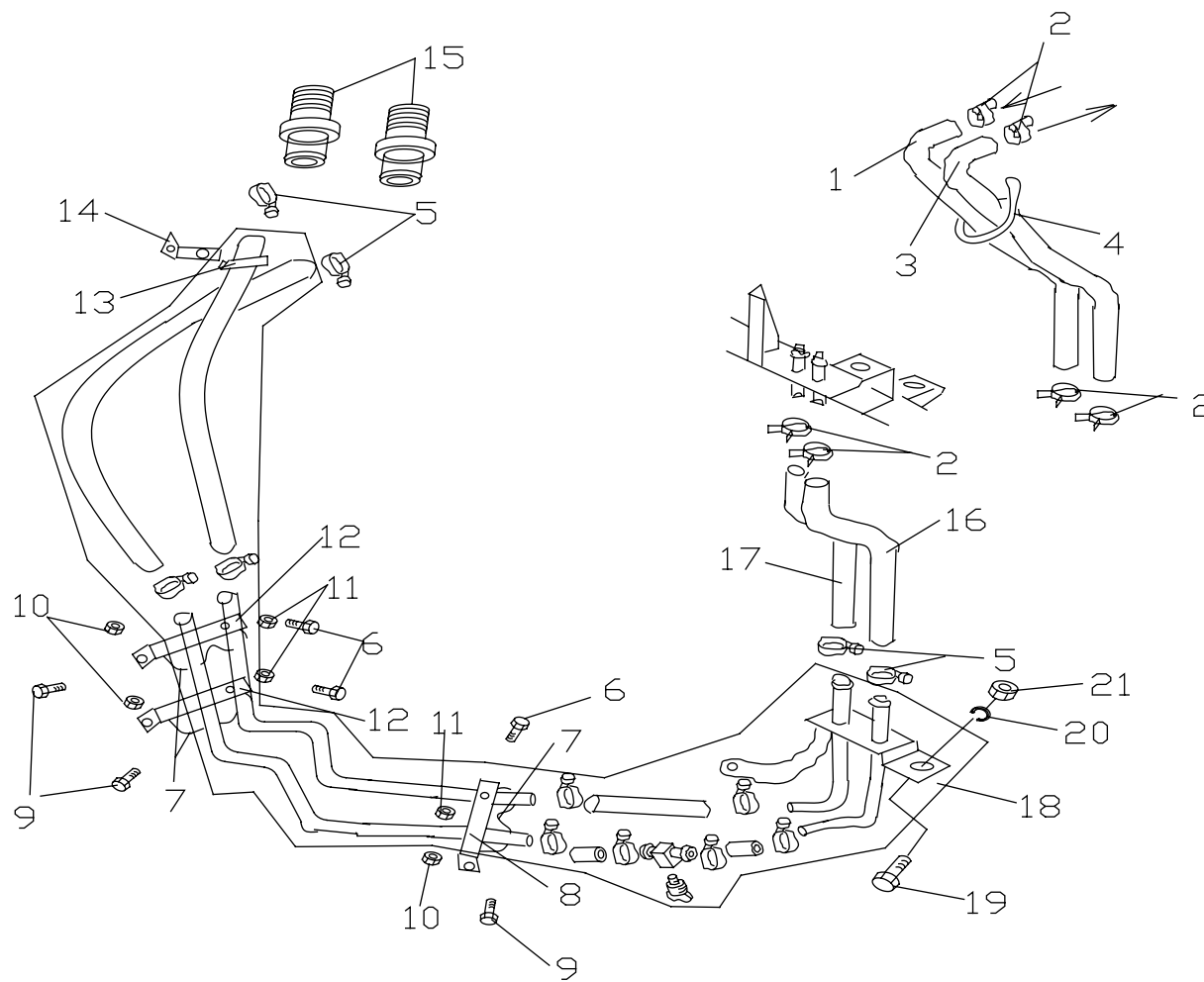
空气调节系统 / AIR CONDITIONING SYSTEM

81-8

| 序号<br>No. | 件号<br>Part No. | 数量<br>Quantity | 名称<br>Name   | 规格<br>Specification | 适用产品<br>Products Applied                                  | 备注<br>Remark |
|-----------|----------------|----------------|--|---------------------|---|--------------|
| 1         | 81A4D-01028    | 1              | 暖风管出水官总成 - 接暖风机<br>Heater Water Outlet Pipe Assembly-To Heater           |                     | 81-C 部分为康明斯系列发动机专用<br>81-C Only For CUMMINS Engine Series |              |
|           | 81A5-01028     | 1              | 暖风管出水官总成 - 接暖风机<br>Heater Water Outlet Pipe Assembly-To Heater           |                     | 窄体系列<br>Narrow Cab Series                                 |              |
|           | 81AY-01028     | 1              | 暖风管出水官总成 - 接暖风机<br>Heater Water Outlet Pipe Assembly-To Heater           |                     | 右驾系列<br>RHD Series  |              |
| 2         | Q673B25        | 6              | 钢带式弹性环箍<br>Steel Strip Type Spring Snap Ring                             |                     |   |              |
| 3         | 81A-01027      | 1              | 暖风管进水官总成 - 接暖风机<br>Heater Water Inlet Pipe Assembly-To Heater            |                     |   |              |
|           | 81A5-01027     | 1              | 暖风管进水官总成 - 接暖风机<br>Heater Water Inlet Pipe Assembly-To Heater            |                     | 窄体系列<br>Narrow Cab Series                                 |              |
|           | 81AY-01027     | 1              | 暖风管进水官总成 - 接暖风机<br>Heater Water Inlet Pipe Assembly-To Heater            |                     | 右驾系列<br>RHD Series  |              |
| 4         | 37AD-33042     | 1              | 扎带<br>Band   |                     |   |              |
| 5         | Q67527         | 4              | A 型蜗杆传动式软管环箍<br>A Type Worm Transmisson Hose Snap Ring                   |                     |   |              |
| 6         | Q1460620       | 3              | 六角头弹平垫组合螺栓<br>Hexagon Head Combination Bolt With Spring And Plate Washer |                     |   |              |
| 7         | 81A-01026      | 3              | 双股管夹<br>Bifilar Tube Clamp   |                     |   |              |
| 8         | 11A4D-04051    | 1              | 支架<br>Bracket  |                     |   |              |
| 9         | Q1460825       | 3              | 六角头弹平垫组合螺栓<br>Hexagon Head Combination Bolt With Spring And Plate Washer |                     |   |              |
| 10        | Q32008         | 3              | 六角法兰面螺母<br>Hexagonal Nut With Flange                                     |                     |   |              |

## 暖风管路 / HEATER PIPELINE

81-C



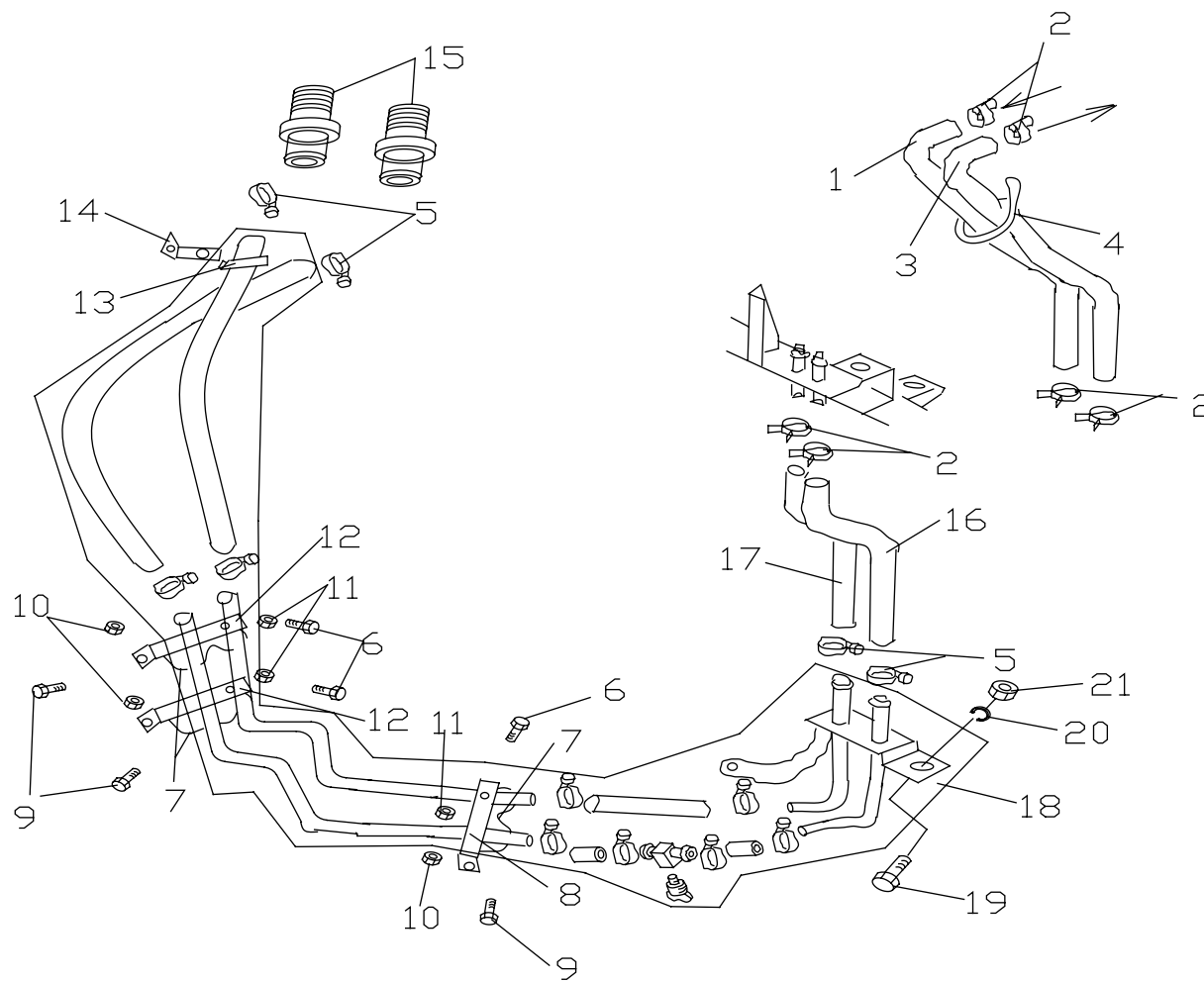
空气调节系统 / AIR CONDITIONING SYSTEM

81-10

| 序号<br>No. | 件号<br>Part No. | 数量<br>Quantity | 名称<br>Name  | 规格<br>Specification | 适用产品<br>Products Applied                    | 备注<br>Remark |
|-----------|----------------|----------------|---|---------------------|---|--------------|
| 11        | Q340B06        | 3              | 六角头螺母<br>Hexagon Head Nut                             |                     |   |              |
| 12        | 37AD-34007     | 2              | 支架<br>Bracket   |                     |   |              |
| 13        | 37AD-33012     | 1              | 塑料线卡<br>Plastic Wire Snap Ring                        |                     |   |              |
| 14        | 37AD-34068     | 1              | 支架<br>Bracket   |                     |   |              |
| 15        | 81A4D-01021    | 2              | 暖风水管接头<br>Heater Water Pipe Connector                 |                     |   |              |
| 16        | 81A3D-01030    | 1              | 进水过渡管总成<br>Water Inlet Transition Pipe Assembly       |                     |   |              |
|           | 81AY -01030    | 1              | 进水过渡管总成<br>Water Inlet Transition Pipe Assembly       |                     | 右驾康明斯系列发动机<br>CUMMINS Engine Series For RHD |              |
| 17        | 81A3D-01031    | 1              | 出水过渡管总成<br>Water Outlet Transition Pipe Assembly      |                     |   |              |
|           | 81AY -01031    | 1              | 出水过渡管总成<br>Water Outlet Transition Pipe Assembly      |                     | 右驾康明斯系列发动机<br>CUMMINS Engine Series For RHD |              |
| 18        | 81A4D-01025    | 1              | 暖风进出水管总成<br>Heater In- And Outlet Water Pipe Assembly |                     |   |              |
|           | 81AY-01025     | 1              | 暖风进出水管总成<br>Heater In- And Outlet Water Pipe Assembly |                     | 右驾系列<br>RHD Series                          |              |
| 19        | Q150B0820      | 2              | 六角头螺栓<br>Hexagon Head Bolt                            |                     |   |              |
| 20        | Q40308         | 2              | 弹簧垫圈<br>Spring Washer                                 |                     |   |              |
| 21        | Q340B08        | 2              | 六角头螺母<br>Hexagon Head Nut                             |                     |   |              |

## 暖风管路 / HEATER PIPELINE

81-C



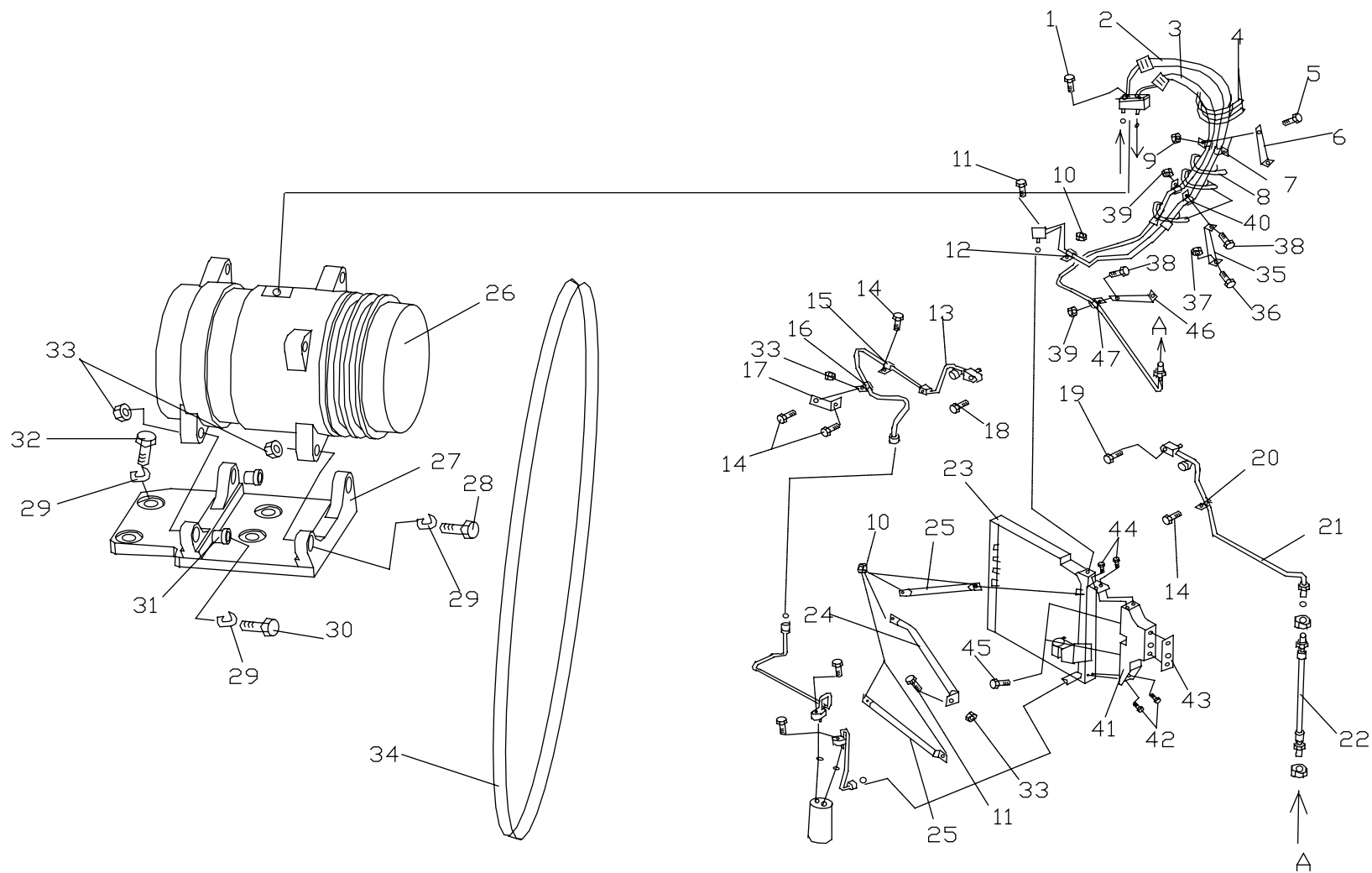
空气调节系统 /AIR CONDITIONING SYSTEM

81-12

| 序号<br>No. | 件号<br>Part No. | 数量<br>Quantity | 名称<br>Name                         | 规格<br>Specification | 适用产品<br>Products Applied | 备注<br>Remark |
|-----------|----------------|----------------|------------------------------------|---------------------|--------------------------|--------------|
| 21        | 37AD-33204     | 1              | 定位夹<br>Locating Clip               |                     |                          |              |
|           | Q1460616       | 1              | 六角组合螺栓<br>Hexagon Combination Bolt |                     |                          |              |
|           | Q340B08        | 1              | 六角头螺母<br>Hexagon Head Nut          |                     |                          |              |

# 压缩机、管路、冷凝器 / COMPRESSOR, PIPELINE, CONDENSER

81-D

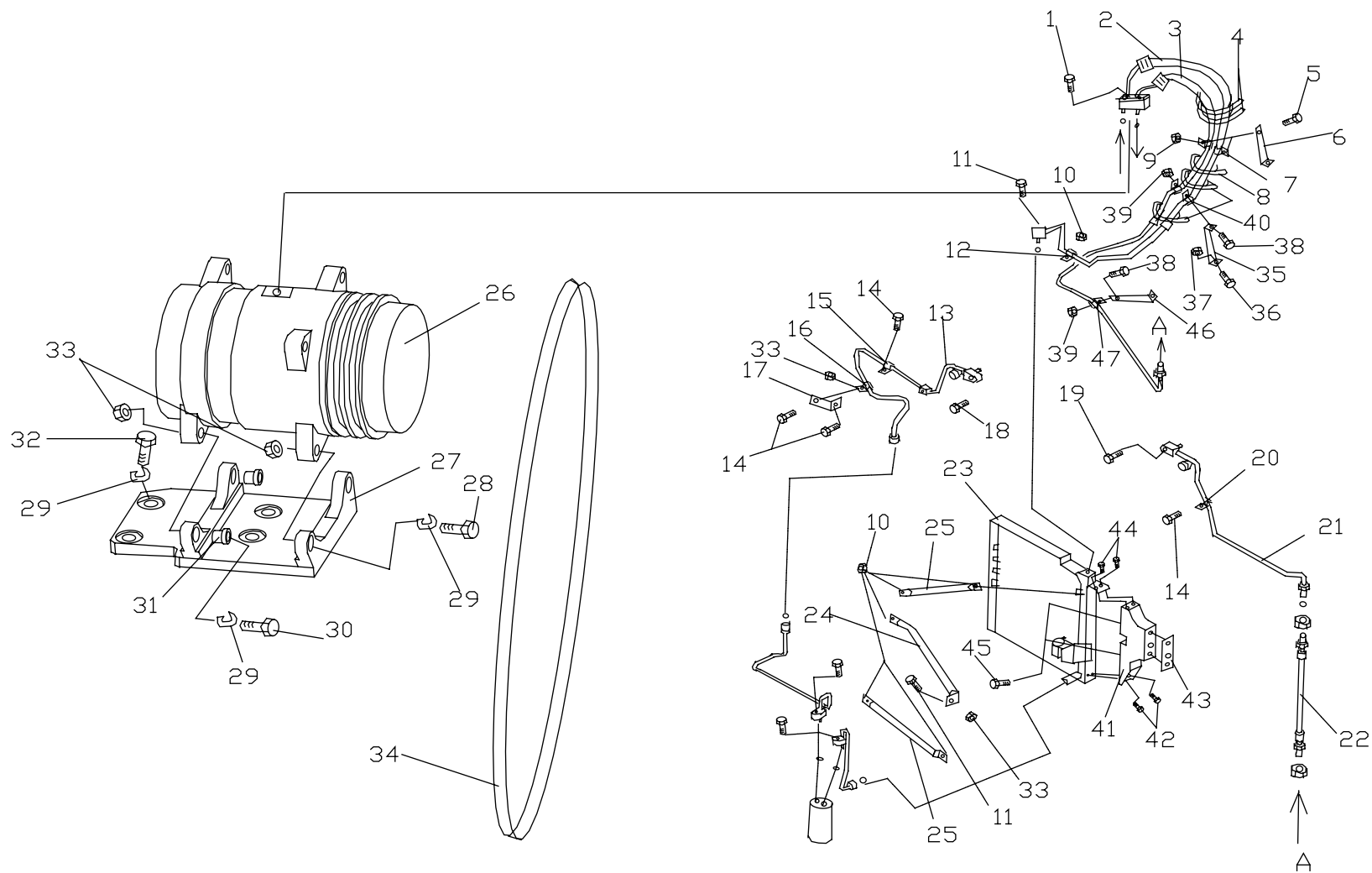




| 序号<br>No. | 件号<br>Part No. | 数量<br>Quantity | 名称<br>Name   | 规格<br>Specification | 适用产品<br>Products Applied  | 备注<br>Remark |
|-----------|----------------|----------------|--|---------------------|---|--------------|
| 1         | HQ1841025      | 1              | 六角法兰面螺栓 - 细牙<br>Hexagon Bolt With Flange-Fine                  |                     | 81-D 部分为康明斯系列发动机空调选装备件<br>81-D AS A/C Options For CUMMINS Engine Series |              |
| 2         | 8108A4D-030    | 1              | 压 - 冷管路总成<br>Pressure-Cooling Pipeline Assembly                |                     | 康明斯 C 系列发动机<br>CUMMINS C Series Engine                                  |              |
|           | 8108A18DQ -030 | 1              | 压 - 冷管路总成<br>Pressure-Cooling Pipeline Assembly                |                     | 康明斯 L345、L375 发动机<br>CUMMINS L345, L375 Engine                          |              |
| 3         | 8108A4D-070    | 1              | 蒸 - 压管路总成III<br>Evaporation-Pressure Pipeline Assembly III     |                     | 康明斯 C 系列发动机<br>CUMMINS C Series Engine                                  |              |
|           | 8108A18DQ-070  | 1              | 蒸 - 压管路总成III<br>Evaporation-Pressure Pipeline Assembly III     |                     | 康明斯 L345、L375 发动机<br>CUMMINS L345, L375 Engine                          |              |
| 4         | 35AD-06333     | 2              | 扎带<br>Band   |                     |   |              |
| 5         | Q1460620       | 2              | 六角头螺栓<br>Hexagon Head Bolt                                     |                     |   |              |
| 6         | 8108A4D-030-4  | 1              | 压缩机高低压管支架 2<br>Compressor High And Low Pressure Pipe Bracket 2 |                     |   |              |
| 7         | 37AD-33211     | 2              | 定位夹<br>Locating Clip   |                     |   |              |
| 8         | 37AD-33043     | 3              | 扎带<br>Band   |                     | 康明斯 L345、L375 发动机<br>CUMMINS L345, L375 Engine                          |              |
| 9         | Q340B06        | 2              | 六角头螺母<br>Hexagon Head Nut                                      |                     |   |              |
| 10        | Q32008         | 6              | 六角头法兰面螺母<br>Hexagon Head Nut With Flange                       |                     |   |              |
| 11        | Q1460830       | 2              | 六角头组合螺栓<br>Hexagon Head Combination Bolt                       |                     |   |              |
| 12        | 8108A-030-1    | 1              | 管夹<br>Tube Clamp   |                     |   |              |

# 压缩机、管路、冷凝器 / COMPRESSOR, PIPELING, CONDENSER

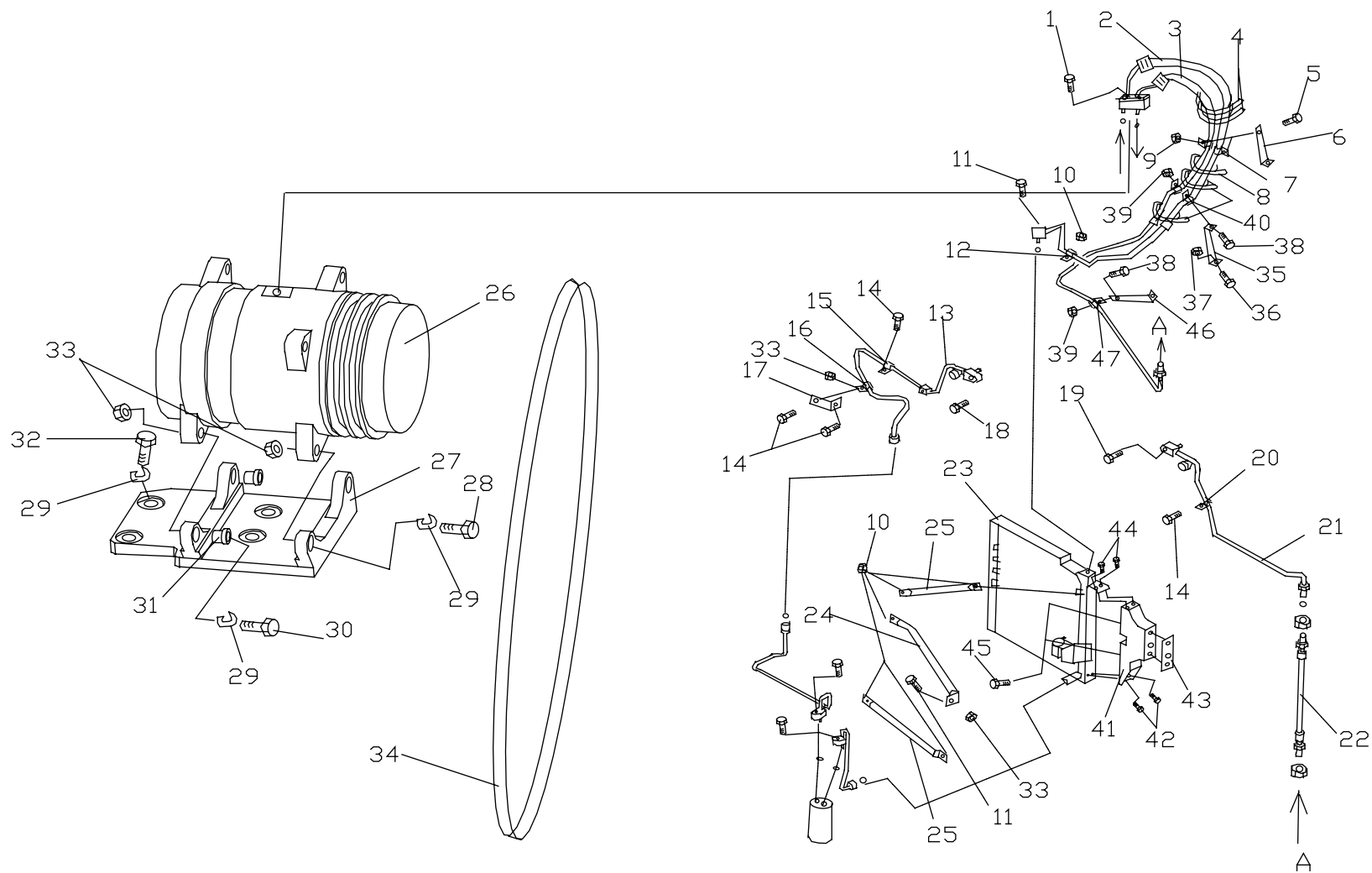
81-D



| 序号<br>No. | 件号<br>Part No. | 数量<br>Quantity | 名称<br>Name  | 规格<br>Specification | 适用产品<br>Products Applied                       | 备注<br>Remark |
|-----------|----------------|----------------|---|---------------------|--|--------------|
| 13        | 8108A-040      | 1              | 贮 - 蒸管路总成<br>Storage-Evaporation Pipeline Assembly        |                     |  |              |
|           | 8108A5-040     | 1              | 贮 - 蒸管路总成<br>Storage-Evaporation Pipeline Assembly        |                     | 窄体系列<br>Narrow Cab Series                      |              |
| 14        | Q1460816       | 4              | 六角头组合螺栓<br>Hexagon Head Combination Bolt                  |                     |  |              |
| 15        | 8108A-050-1    | 1              | 管夹<br>Tube Clamp  |                     |  |              |
| 16        | 8108A-040-3    | 1              | 管夹<br>Tube Clamp  |                     |  |              |
| 17        | 8108A-040-1    | 1              | 支架<br>Bracket   |                     |  |              |
| 18        | Q1460825       | 1              | 六角头组合螺栓<br>Hexagon Head Combination Bolt                  |                     |  |              |
| 19        | Q1460835       | 1              | 六角头组合螺栓<br>Hexagon Head Combination Bolt                  |                     |  |              |
| 20        | 8108A-050-1    | 1              | 管夹<br>Tube Clamp  |                     |  |              |
| 21        | 8108A-050      | 1              | 蒸 - 压管路总成 I<br>Evaporation-Pressure Pipeline Assembly I   |                     |  |              |
|           | 8108A5-050     | 1              | 蒸 - 压管路总成 I<br>Evaporation-Pressure Pipeline Assembly I   |                     | 窄体系列<br>Narrow Cab Series                      |              |
|           | 8108AY-950     | 1              | 蒸 - 压管路总成 I<br>Evaporation-Pressure Pipeline Assembly I   |                     | 右驾系列<br>RHD Series                             |              |
| 22        | 8108A4D-060    | 1              | 蒸 - 压管路总成 II<br>Evaporation-Pressure Pipeline Assembly II |                     | 康明斯 C 系列发动机<br>CUMMINS C Series Engine         |              |
|           | 8108A18DQ-060  | 1              | 蒸 - 压管路总成 II<br>Evaporation-Pressure Pipeline Assembly II |                     | 康明斯 L345、L375 发动机<br>CUMMINS L345, L375 Engine |              |

# 压缩机、管路、冷凝器 / COMPRESSOR, PIPELINE, CONDENSER

81-D



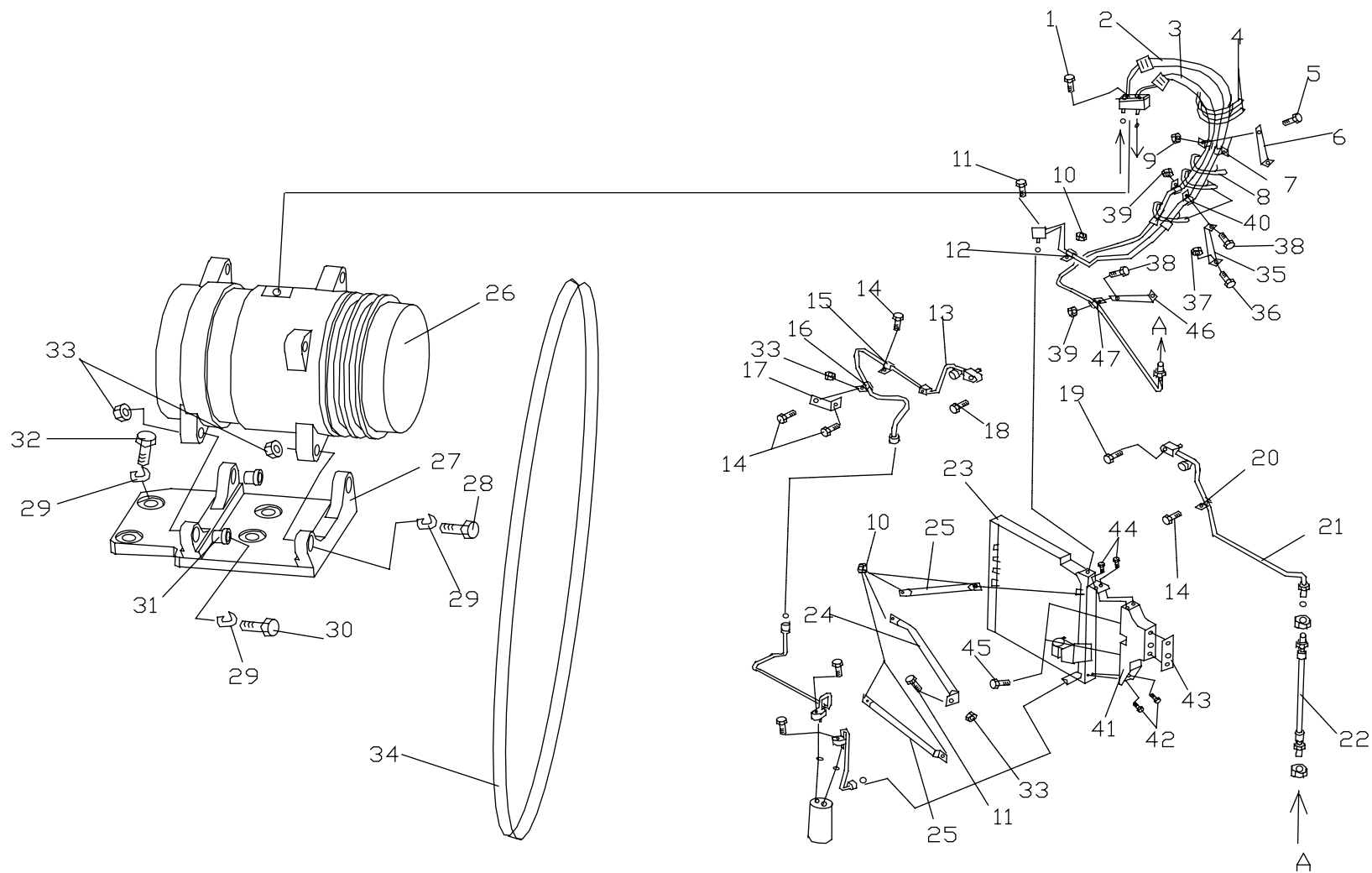
空气调节系统 / AIR CONDITIONING SYSTEM

81-18

| 序号<br>No. | 件号<br>Part No. | 数量<br>Quantity | 名称<br>Name                                 | 规格<br>Specification | 适用产品<br>Products Applied                       | 备注<br>Remark |
|-----------|----------------|----------------|--|---------------------|--|--------------|
| 23        | 8105A4D-010    | 1              | 冷凝器总成 - 带干燥器<br>Condenser Assembly-W/Dryer |                     |  |              |
|           | 8105AY-910     | 1              | 冷凝器总成 - 带干燥器<br>Condenser Assembly-W/Dryer |                     | 右驾系列<br>RHD Series                             |              |
| 24        | 81A-03034      | 1              | 长拉杆 - 冷凝器<br>Long Pull Rod-Condenser       |                     |  |              |
|           | 81A5-03034     | 1              | 长拉杆 - 冷凝器<br>Long Pull Rod-Condenser       |                     | 窄体系列<br>Narrow Cab Series                      |              |
|           | 81AY-03934     | 1              | 长拉杆 - 冷凝器<br>Long Pull Rod-Condenser       |                     | 右驾系列<br>RHD Series                             |              |
| 25        | 81A-03033      | 2              | 短拉杆 - 冷凝器<br>Short Pull Rod-Condenser      |                     |  |              |
|           | 81A5-03033     | 2              | 短拉杆 - 冷凝器<br>Short Pull Rod-Condenser      |                     | 窄体系列<br>Narrow Cab Series                      |              |
| 26        | 1027E8         | 1              | 压缩机总成<br>Compressor Assembly               |                     |  |              |
| 27        | 81A4D-03012    | 1              | 压缩机支架<br>Compressor Bracket                |                     | 康明斯 C 系列发动机<br>CUMMINS C Series Engine         |              |
|           | 81A18DQ-03012  | 1              | 压缩机支架<br>Compressor Bracket                |                     | 康明斯 L345、L375 发动机<br>CUMMINS L345, L375 Engine |              |
| 28        | Q150B1040      | 2              | 六角头螺栓<br>Hexagon Head Bolt                 |                     |  |              |
| 29        | Q40310         | 8              | 弹簧垫圈<br>Spring Washer                      |                     |  |              |
| 30        | Q150B1050      | 2              | 六角头螺栓<br>Hexagon Head Bolt                 |                     |  |              |
| 31        | 81A4D-03013    | 2              | 轴套<br>Shaft Bush                           |                     |  |              |

# 压缩机、管路、冷凝器 / COMPRESSOR, PIPELINE, CONDENSER

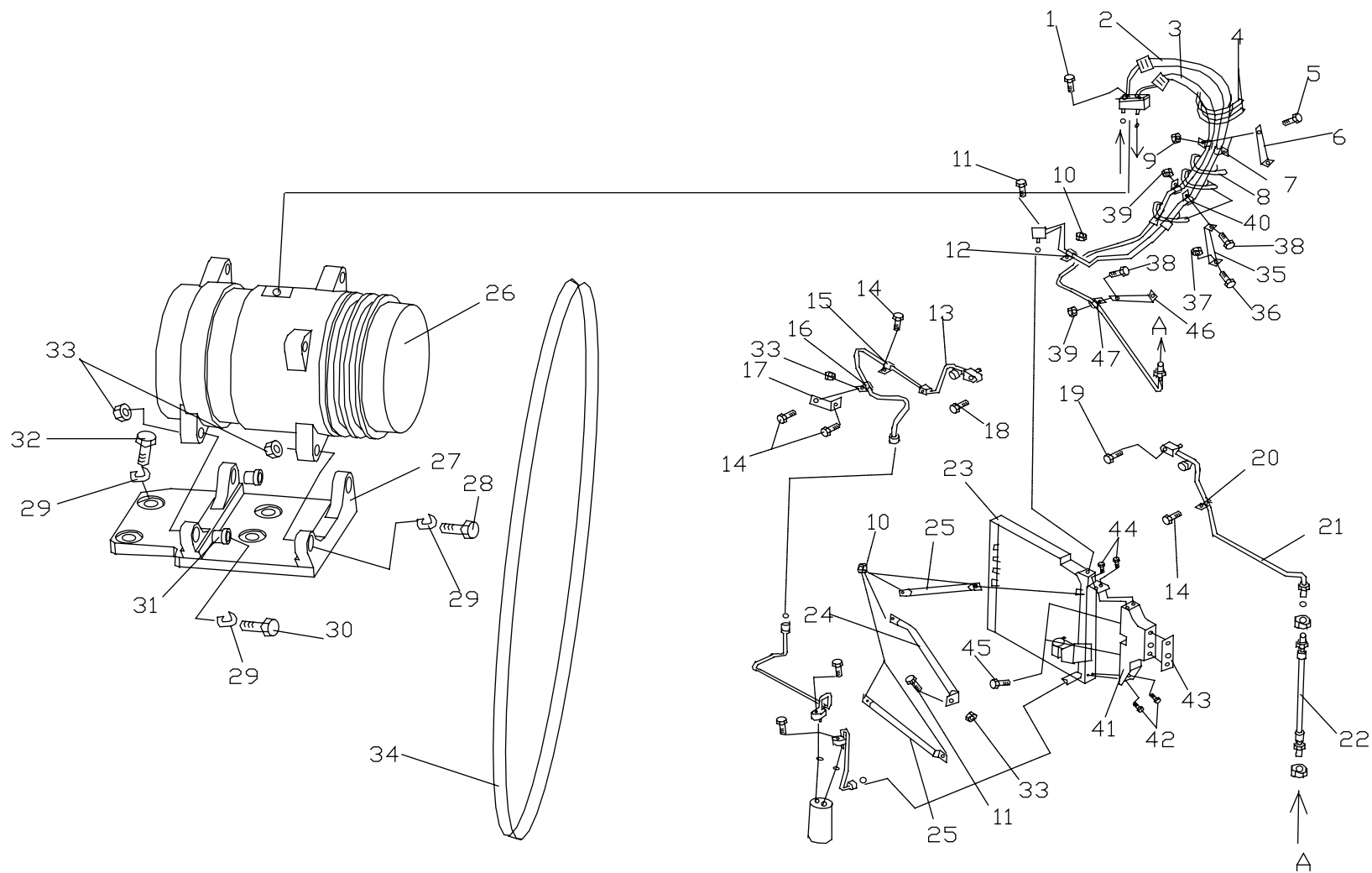
81-D



| 序号<br>No. | 件号<br>Part No. | 数量<br>Quantity | 名称<br>Name   | 规格<br>Specification | 适用产品<br>Products Applied                       | 备注<br>Remark |
|-----------|----------------|----------------|--|---------------------|--|--------------|
| 32        | Q150B1030      | 4              | 六角头螺栓<br>Hexagon Head Bolt                                     |                     |  |              |
| 33        | Q340B10        | 6              | 六角头螺母<br>Hexagon Head Nut                                      |                     |  |              |
| 34        | SRRP13×9×1097  | 1              | 压缩机皮带<br>Compressor Belt                                       |                     | 康明斯 C 系列发动机<br>CUMMINS C Series Engine         |              |
|           | V13×1100       | 1              | 压缩机皮带<br>Compressor Belt                                       |                     | 康明斯 L345、L375 发动机<br>CUMMINS L345, L375 Engine |              |
| 35        | 8108A4D-030-3  | 1              | 压缩机高低压管支架 1<br>Compressor High And Low Pressure Pipe Bracket 1 |                     | 康明斯 C 系列发动机<br>CUMMINS C Series Engine         |              |
| 36        | Q1460820       | 1              | 六角头组合螺栓<br>Hexagon Head Combination Bolt                       |                     |  |              |
| 37        | Q340B08        | 1              | 六角头螺母<br>Hexagon Head Nut                                      |                     |  |              |
| 38        | Q1460620       | 1              | 六角头组合螺栓<br>Hexagon Head Combination Bolt                       |                     |  |              |
| 39        | Q340B06        | 1              | 六角头螺母<br>Hexagon Head Nut                                      |                     |  |              |
| 40        | 37AD-33211     | 2              | 定位夹<br>Locating Clip   |                     |  |              |
| 41        | 81A-03031      | 1              | 冷凝右侧固定支架<br>Condenser Fixing Bracket RH                        |                     | 窄体系列<br>Narrow Cab Series                      |              |
|           | 81A5-03031     | 1              | 冷凝右侧固定支架<br>Condenser Fixing Bracket RH                        |                     |  |              |
| 42        | Q1420616       | 2              | 六角头组合螺栓<br>Hexagon Head Combination Bolt                       |                     |  |              |
| 43        | 81A-03031-1    | 1              | 缓冲垫 1<br>Cushion 1   |                     |  |              |

# 压缩机、管路、冷凝器 / COMPRESSOR, PIPELINE, CONDENSER

81-D





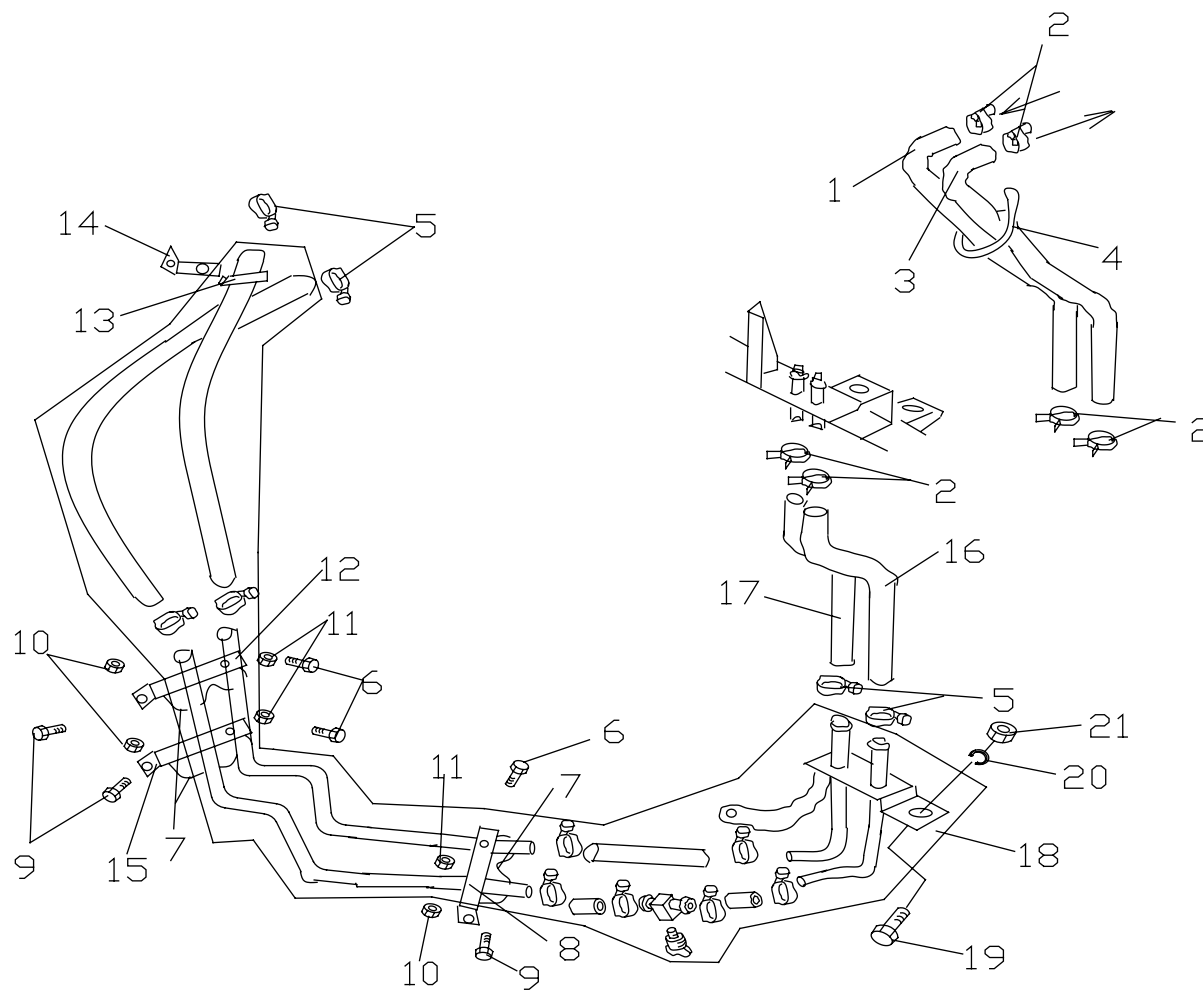
空气调节系统 / AIR CONDITIONING SYSTEM

81-22

| 序号<br>No. | 件号<br>Part No. | 数量<br>Quantity | 名称<br>Name   | 规格<br>Specification | 适用产品<br>Products Applied                      | 备注<br>Remark |
|-----------|----------------|----------------|--|---------------------|---|--------------|
| 44        | Q1460820       | 2              | 六角头组合螺栓<br>Hexagon Head Combination Bolt           |                     |   |              |
| 45        | Q1461235       | 2              | 六角头组合螺栓 - 细牙<br>Hexagon Head Combination Bolt-Fine |                     |   |              |
| 46        | 37AD-34003     | 1              | 支架<br>Bracket                                      |                     | 康明斯 L345、L375 发动机<br>CUMMINS L345,L375 Engine |              |
| 47        | 8108A-050-1    | 1              | 管夹<br>Tube Clamp                                   |                     |   |              |
|           | 8105A-010-1    | 1              | 底板<br>Baseboard                                    |                     |   |              |
|           | 8105A-010-2    | 1              | 支板<br>Supporting Plate                             |                     |   |              |
|           | 8105A-010-3    | 1              | 缓冲垫<br>Cushion                                     |                     |   |              |
|           | Q1461025       | 1              | 六角头组合螺栓<br>Hexagon Head Combination Bolt           |                     |   |              |
|           | Q340B10        | 1              | 六角头螺母<br>Hexagon Head Nut                          |                     |   |              |
|           | 81A-03032      | 1              | 双色尼龙套<br>Two-Tone Nylon Sleeve                     |                     |   |              |

## 暖风管路 / HEATER PIPELINE

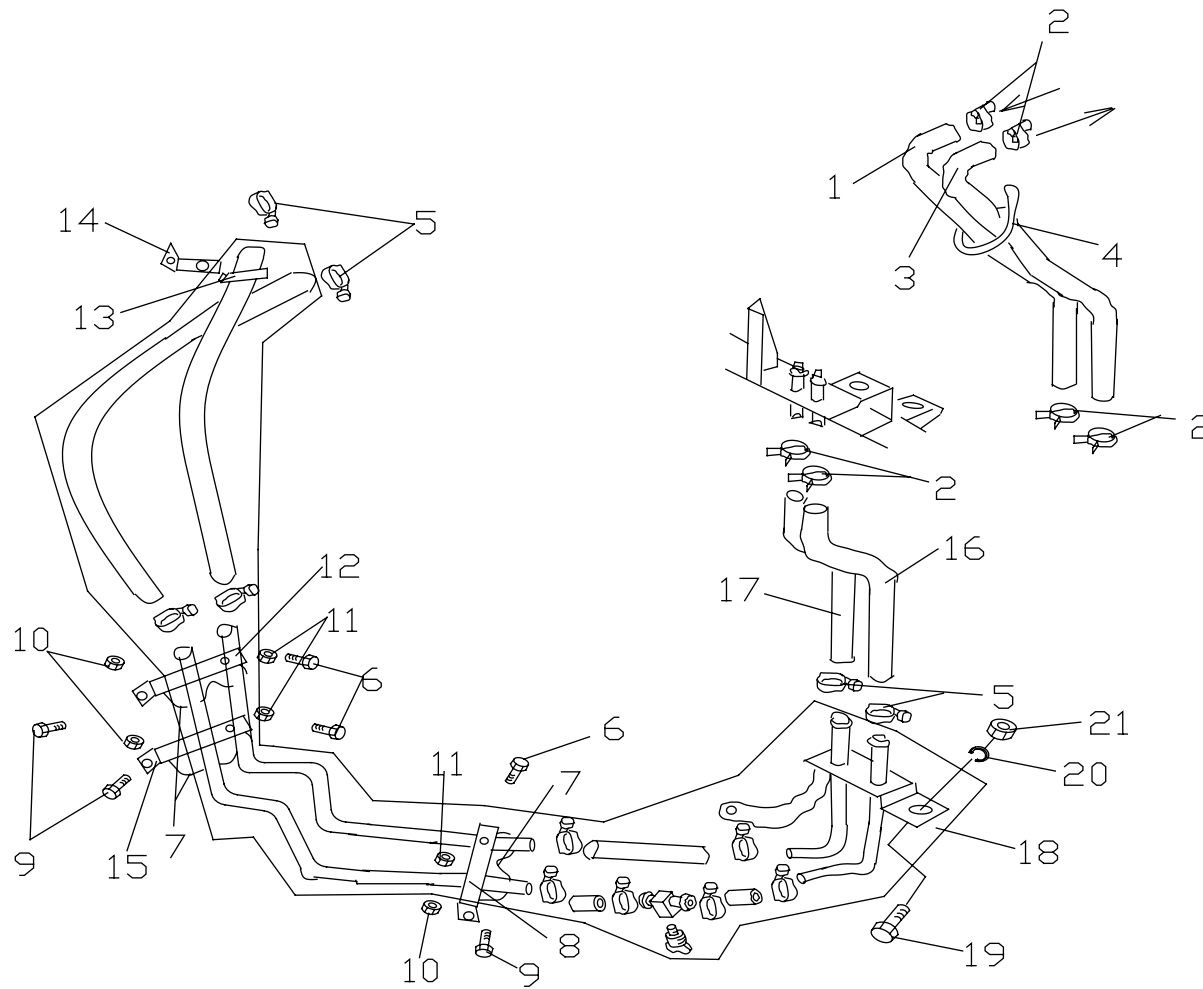
81-E



| 序号<br>No. | 件号<br>Part No. | 数量<br>Quantity | 名称<br>Name   | 规格<br>Specification | 适用产品<br>Products Applied                                | 备注<br>Remark |
|-----------|----------------|----------------|--|---------------------|---|--------------|
| 1         | 81A4D-01028    | 1              | 暖风管出水官总成 - 接暖风机<br>Heater Water Outlet Pipe Assembly-To Heater           |                     | 81-E 部分为斯太尔系列发动机专用<br>81-E Only For STEYR Engine Series |              |
|           | 81A5-01028     | 1              | 暖风管出水官总成 - 接暖风机<br>Heater Water Outlet Pipe Assembly-To Heater           |                     | 窄体系列<br>Narrow Cab Series                               |              |
|           | 81AY-01028     | 1              | 暖风管出水官总成 - 接暖风机<br>Heater Water Outlet Pipe Assembly-To Heater           |                     | 右驾系列<br>RHD Series                                      |              |
| 2         | Q673B25        | 6              | 钢带式弹性环箍<br>Steel Strip Type Spring Snap Ring                             |                     |   |              |
| 3         | 81A-01027      | 1              | 暖风管进水官总成 - 接暖风机<br>Heater Water Outlet Pipe Assembly-To Heater           |                     |   |              |
|           | 81A5-01027     | 1              | 暖风管进水官总成 - 接暖风机<br>Heater Water Outlet Pipe Assembly-To Heater           |                     | 窄体系列<br>Narrow Cab Series                               |              |
|           | 81AY-01027     | 1              | 暖风管进水官总成 - 接暖风机<br>Heater Water Outlet Pipe Assembly-To Heater           |                     | 右驾系列<br>RHD Series                                      |              |
| 4         | 37AD-33042     | 1              | 扎带<br>Band   |                     |   |              |
| 5         | Q67527         | 4              | A 型蜗杆传动式软管环箍<br>A Type Worm Transmisson Hose Snap Ring                   |                     |   |              |
| 6         | Q1460620       | 3              | 六角头弹平垫组合螺栓<br>Hexagon Head Combination Bolt With Spring And Plate Washer |                     |   |              |
| 7         | 81A-01026      | 3              | 双股管夹<br>Bifilar Tube Clamp   |                     |   |              |
| 8         | 11A4D-04051    | 1              | 支架<br>Bracket  |                     |   |              |
| 9         | Q1460825       | 3              | 六角头弹平垫组合螺栓<br>Hexagon Head Combination Bolt With Spring And Plate Washer |                     |   |              |
| 10        | Q32008         | 3              | 六角法兰面螺母<br>Hexagon Nut With Flange                                       |                     |   |              |

## 暖风管路 / HEATER PIPELINE

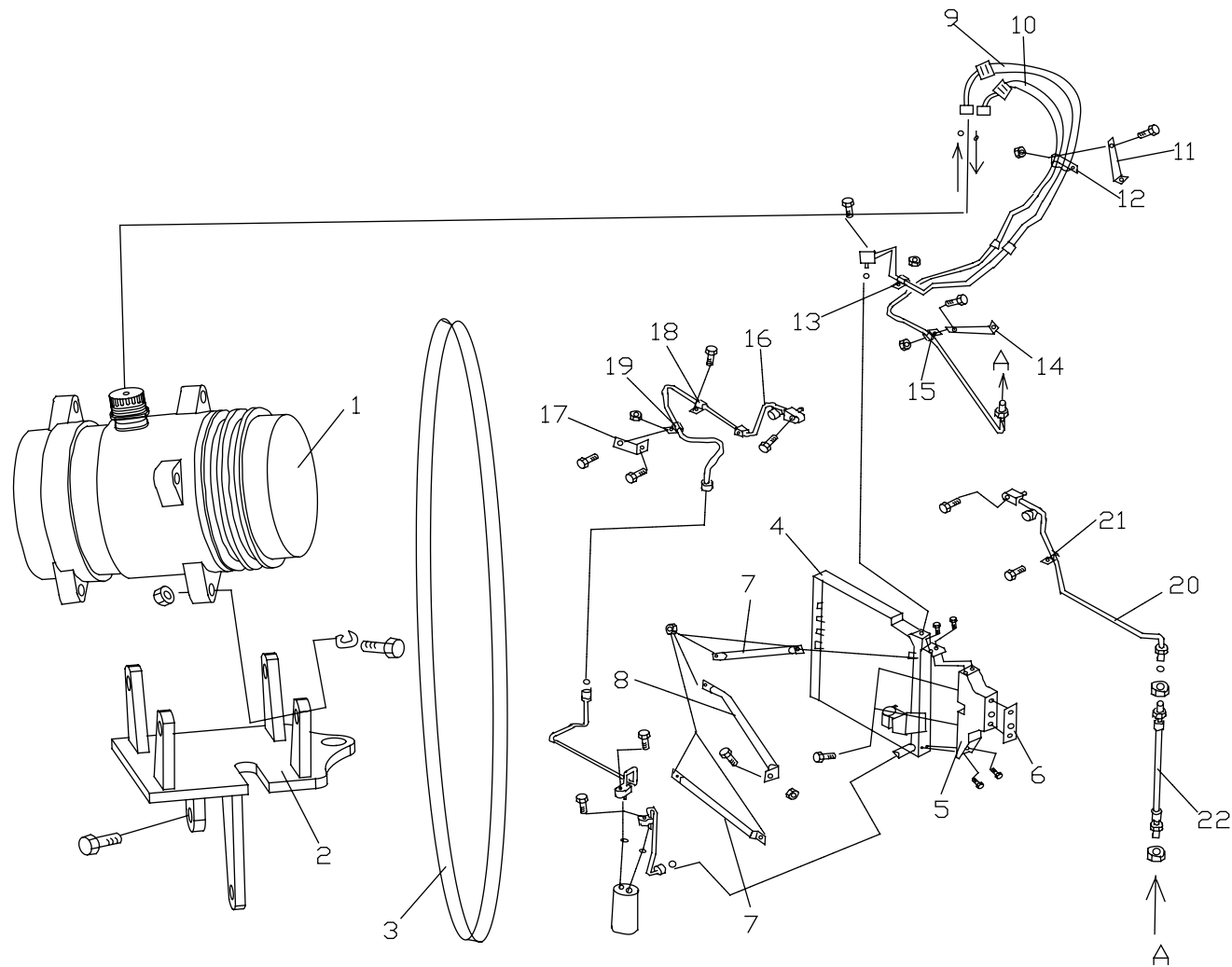
81-E



| 序号<br>No. | 件号<br>Part No. | 数量<br>Quantity | 名称<br>Name  | 规格<br>Specification | 适用产品<br>Products Applied | 备注<br>Remark |
|-----------|----------------|----------------|---|---------------------|--------------------------|--------------|
| 11        | Q32006         | 3              | 六角法兰面螺母<br>Hexagon Nut With Flange                    |                     |                          |              |
| 12        | 37AD-34007     | 1              | 支架<br>Bracket   |                     |                          |              |
| 13        | 37AD-33012     | 1              | 塑料线卡<br>Plastic Wire Snap Ring                        |                     |                          |              |
| 14        | 37AD-34068     | 1              | 支架<br>Bracket   |                     |                          |              |
| 15        | 37AD-34003     | 1              | 支架<br>Bracket   |                     |                          |              |
| 16        | 81A3D-01030    | 1              | 进水过渡管总成<br>Water Inlet Transition Pipe Assembly       |                     |                          |              |
| 17        | 81A3D-01031    | 1              | 出水过渡管总成<br>Water Outlet Transition Pipe Assembly      |                     |                          |              |
| 18        | 81A4D-01025    | 1              | 暖风进出水管总成<br>Heater In- and Outlet Water Pipe Assembly |                     |                          |              |
| 19        | Q150B0820      | 2              | 六角头螺栓<br>Hexagon Head Bolt                            |                     |                          |              |
| 20        | Q40308         | 2              | 弹簧垫圈<br>Spring Washer                                 |                     |                          |              |
| 21        | Q340B08        | 2              | 六角头螺母<br>Hexagon Head Nut                             |                     |                          |              |
|           | 37AD-33204     | 1              | 定位夹<br>Locating Clip                                  |                     |                          |              |
|           | Q1460616       | 1              | 六角组合螺栓<br>Hexagon Combination Bolt                    |                     |                          |              |
|           | Q340B08        | 1              | 六角头螺母<br>Hexagon Head Nut                             |                     |                          |              |

## 压缩机、管路、冷凝器 / COMPRESSOR, PIPELINE, CONDENSER

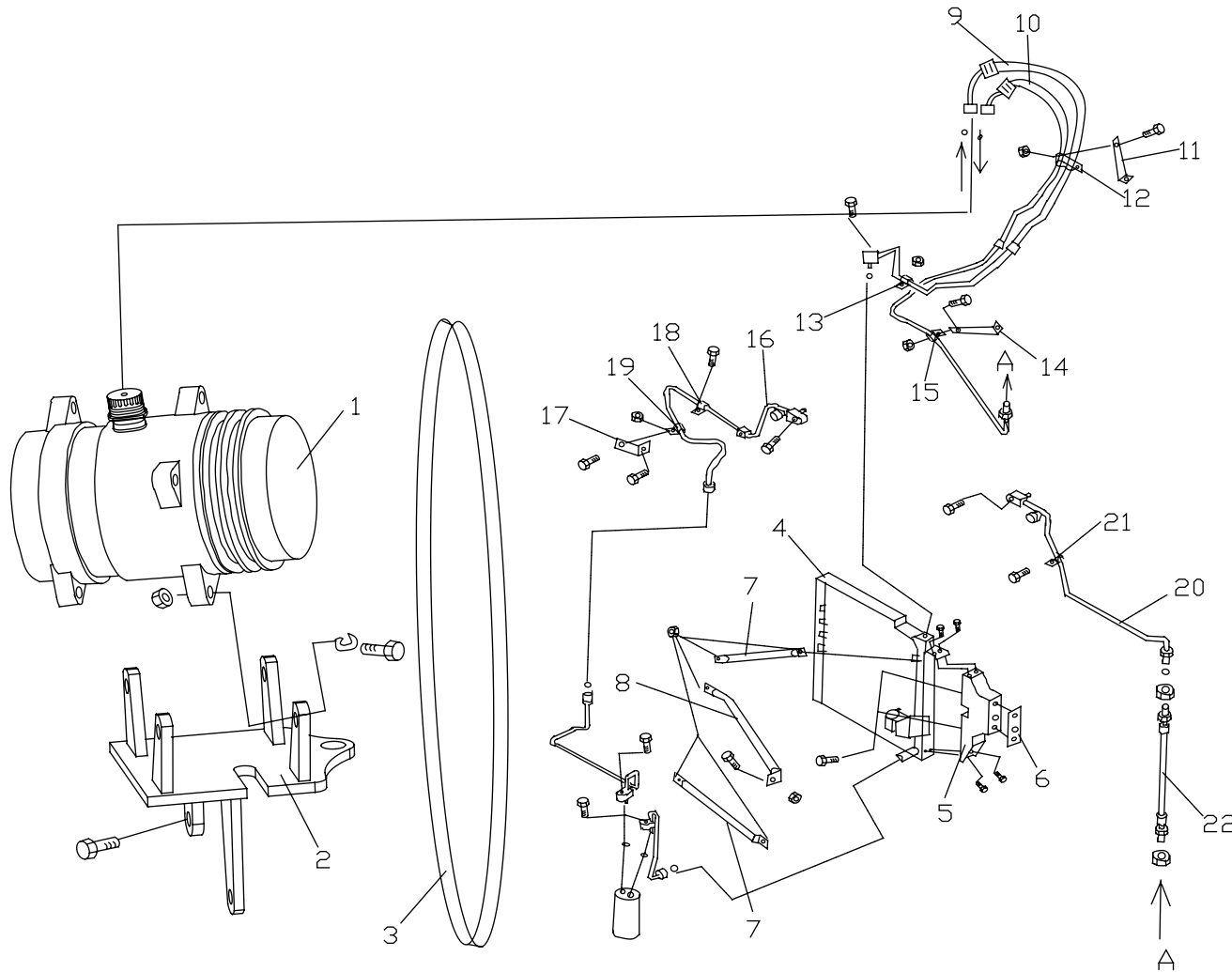
81-F



| 序号<br>No. | 件号<br>Part No. | 数量<br>Quantity | 名称<br>Name   | 规格<br>Specification | 适用产品<br>Products Applied  | 备注<br>Remark |
|-----------|----------------|----------------|--|---------------------|---|--------------|
| 1         | 81A2D-03010    | 1              | 压缩机总成<br>Compressor Assembly                       |                     | 81-F 部分为斯太尔系列发动机空调选装备件<br>81-F As A/C Options For STEYR Engine Series |              |
|           | Q150B1040      | 4              | 六角头螺栓<br>Hexagon Head Bolt                         |                     |   |              |
|           | Q40310         | 4              | 弹簧垫圈<br>Spring Washer                              |                     |   |              |
|           | 340B10         | 4              | 六角头螺母<br>Hexagon Head Nut                          |                     |   |              |
| 2         | 81A2D-03012    | 1              | 压缩机支架<br>Compressor Bracket                        |                     |   | P=1.25       |
|           | HQ1460820      | 1              | 六角头组合螺栓 - 细牙<br>Hexagon Head Combination Bolt-Fine |                     |   |              |
| 3         | V10X1070       | 2              | 齿轮 V 带<br>Gear V-Belt                              |                     |   |              |
| 4         | 8105A4D-010    | 1              | 冷凝器总成<br>Condenser Assembly                        |                     |   |              |
|           | 8105AY-910     | 1              | 冷凝器总成 - 带干燥器<br>Condenser Assembly-W/Dryer         |                     | 右驾系列<br>RHD Series  |              |
|           | Q1420616       | 2              | 六角头组合螺栓<br>Hexagon Head Combination Bolt           |                     |   |              |
|           | Q1460820       | 2              | 六角头组合螺栓<br>Hexagon Head Combination Bolt           |                     |   |              |
| 5         | 81A-03031      | 1              | 冷凝器右侧固定架<br>Condenser Fixing Bracket RH            |                     |   |              |
|           | 81A5-03031     | 1              | 冷凝右侧固定支架<br>Condenser Fixing Bracket RH            |                     | 窄体系列<br>Narrow Cab Series   |              |
|           | Q1461235       | 2              | 六角头组合螺栓<br>Hexagon Head Combination Bolt           |                     |   |              |

# 压缩机、管路、冷凝器 / COMPRESSOR, PIPELINE, CONDENSER

**81-F**

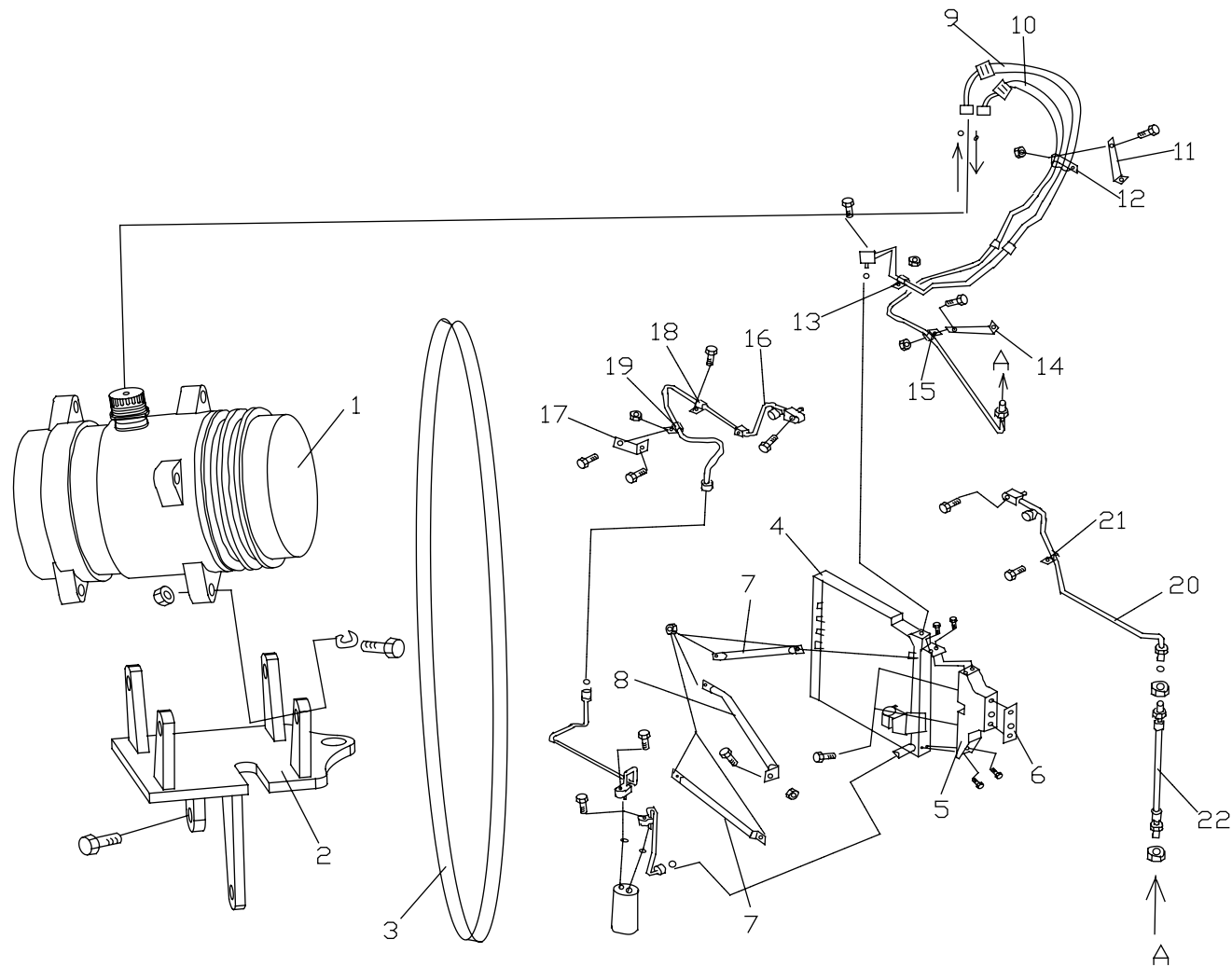




| 序号<br>No. | 件号<br>Part No. | 数量<br>Quantity | 名称<br>Name   | 规格<br>Specification | 适用产品<br>Products Applied  | 备注<br>Remark |
|-----------|----------------|----------------|--|---------------------|---------------------------|--------------|
| 6         | 81A-03031-1    | 1              | 缓冲垫 1<br>Cushion 1                                     |                     |                           |              |
| 7         | 81A-03033      | 2              | 短拉杆 - 冷凝器<br>Short Pull Rod-Condenser                  |                     |                           |              |
|           | 81A5-03033     | 2              | 短拉杆 - 冷凝器<br>Short Pull Rod-Condenser                  |                     | 窄体系列<br>Narrow Cab Series |              |
| 8         | 81A-03034      | 1              | 长拉杆 - 冷凝器<br>Long Pull Rod-Condenser                   |                     |                           |              |
|           | 81A5-03034     | 1              | 长拉杆 - 冷凝器<br>Long Pull Rod-Condenser                   |                     | 窄体系列<br>Narrow Cab Series |              |
|           | 81AY-03934     | 1              | 长拉杆 - 冷凝器<br>Long Pull Rod-Condenser                   |                     | 右驾系列<br>RHD Series        |              |
|           | Q1460830       | 1              | 六角头组合螺栓<br>Hexagon Head Combination Bolt               |                     |                           |              |
|           | Q32008         | 6              | 六角法兰面螺母<br>Hexagon Nut With Flange                     |                     |                           |              |
| 9         | 8108A2D-030    | 1              | 压 - 冷管路总成<br>Pressure-Cooling Pipe Assembly            |                     |                           |              |
|           | Q1460830       | 1              | 六角头组合螺栓<br>Hexagon Head Combination Bolt               |                     |                           |              |
| 10        | 8108A2D-070    | 1              | 蒸 - 压管路总成III<br>Evaporation-Pressure Pipe Assembly III |                     |                           |              |
| 11        | 8108A4D-030-1  | 1              | 高低压管支架 2<br>High And Low Pressure Pipe Bracket 2       |                     |                           |              |
| 12        | 81A-01026      | 1              | 双股管夹<br>Bifilar Tube Clamp                             |                     |                           |              |
|           | Q1460620       | 1              | 六角头组合螺栓<br>Hexagon Head Combination Bolt               |                     |                           |              |

## 压缩机、管路、冷凝器 / COMPRESSOR, PIPELINE, CONDENSER

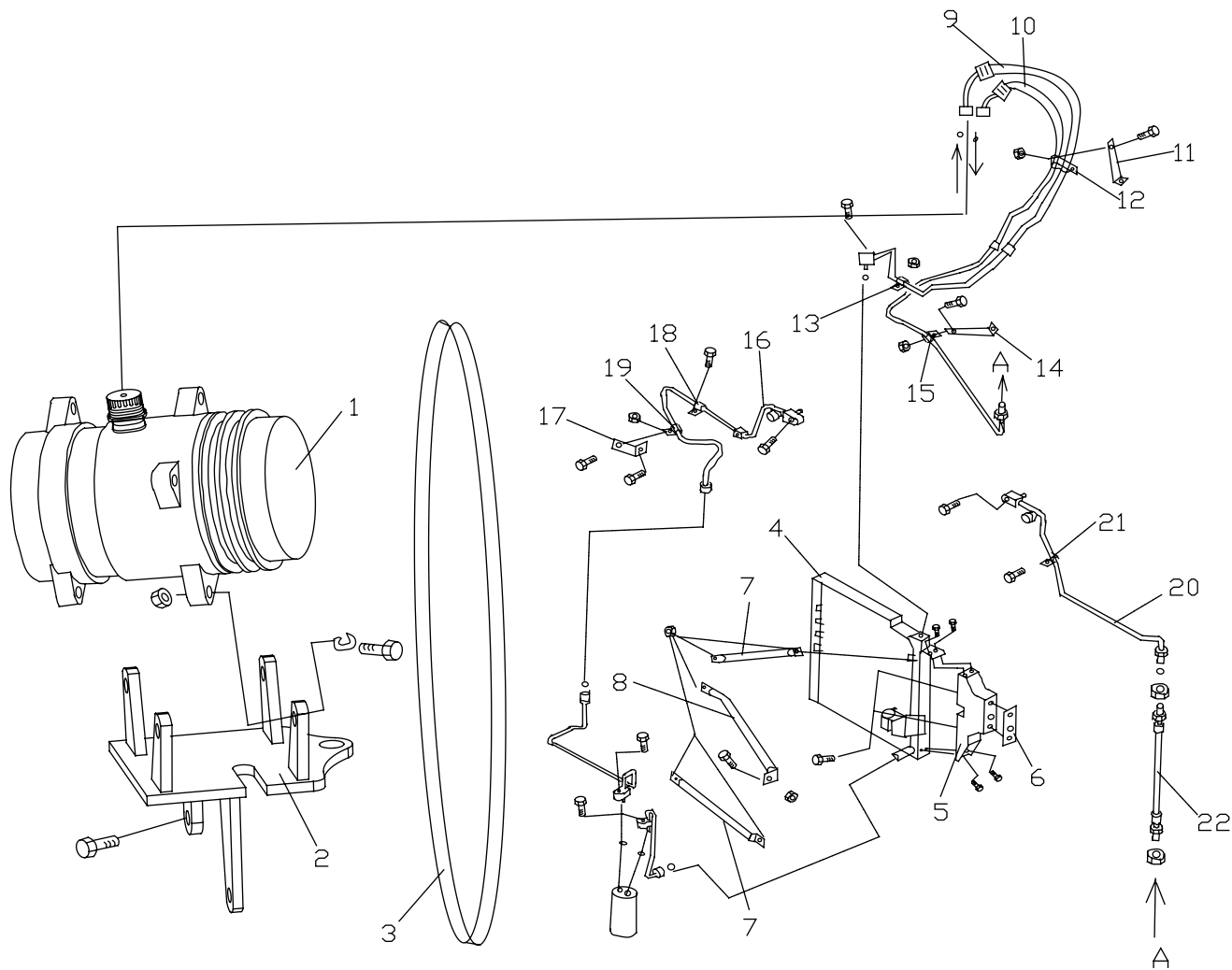
81-F



| 序号<br>No. | 件号<br>Part No. | 数量<br>Quantity | 名称<br>Name   | 规格<br>Specification | 适用产品<br>Products Applied  | 备注<br>Remark |
|-----------|----------------|----------------|--|---------------------|---------------------------|--------------|
| 12        | Q340B06        | 1              | 六角头螺母<br>Hexagonal Head Nut                        |                     |                           |              |
| 13        | 8108A-030-1    | 1              | 管夹 12<br>Tube Clamp 12                             |                     |                           |              |
|           | Q32008         | 1              | 六角法兰面螺母<br>Hexagon Nut With Flange                 |                     |                           |              |
| 14        | 37AD-34003     | 1              | 支架<br>Bracket                                      |                     |                           |              |
| 15        | 8108A-050-1    | 1              | 管夹<br>Tube Clamp                                   |                     |                           |              |
|           | Q1460620       | 1              | 六角头组合螺栓<br>Hexagon Head Combination Bolt           |                     |                           |              |
|           | Q340B06        | 1              | 六角头螺母<br>Hexagonal Head Nut                        |                     |                           |              |
| 16        | 8108A-040      | 1              | 贮 - 蒸管路总成 I<br>Storage-Evaporation Assembly I      |                     |                           |              |
|           | 8108A5-040     | 1              | 贮 - 蒸管路总成<br>Storage-Evaporation Pipeline Assembly |                     | 窄体系列<br>Narrow Cab Series |              |
|           | Q1460625       | 1              | 六角头组合螺栓<br>Hexagon Head Combination Bolt           |                     |                           |              |
| 17        | 8108A-040-1    | 1              | 进口管固定架<br>Inlet Pipe Fixing Bracket                |                     |                           |              |
|           | Q1460816       | 1              | 六角头组合螺栓<br>Hexagon Head Combination Bolt           |                     |                           |              |
|           | Q340B08        | 1              | 六角头螺母<br>Hexagonal Head Nut                        |                     |                           |              |

## 压缩机、管路、冷凝器 / COMPRESSOR, PIPELINE, CONDENSER

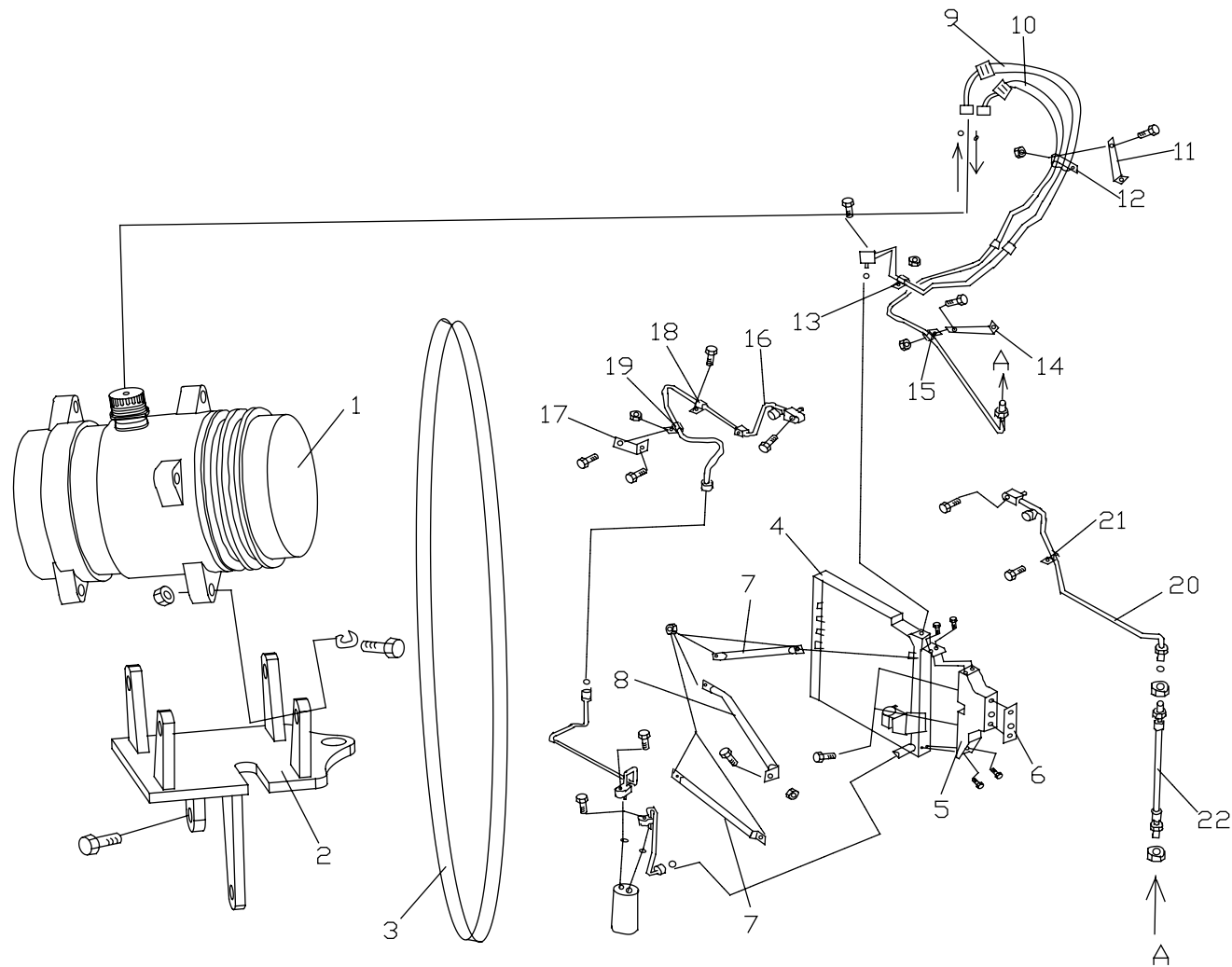
81-F



| 序号<br>No. | 件号<br>Part No. | 数量<br>Quantity | 名称<br>Name  | 规格<br>Specification | 适用产品<br>Products Applied  | 备注<br>Remark |
|-----------|----------------|----------------|---|---------------------|---------------------------|--------------|
| 18        | 8108A-040-2    | 1              | 管夹<br>Tube Clamp  |                     |                           |              |
|           | Q1460816       | 1              | 六角头组合螺栓<br>Hexagon Head Combination Bolt                  |                     |                           |              |
| 19        | 8108A-040-3    | 1              | 管夹<br>Tube Clamp  |                     |                           |              |
|           | Q1460816       | 1              | 六角头组合螺栓<br>Hexagon Head Combination Bolt                  |                     |                           |              |
| 20        | 8108A-050      | 1              | 蒸 - 压管路总成 I<br>Evaporation-Pressure Pipeline Assembly I   |                     |                           |              |
|           | 8108A5-050     | 1              | 蒸 - 压管路总成 I<br>Evaporation-Pressure Pipeline Assembly I   |                     | 窄体系列<br>Narrow Cab Series |              |
|           | 8108AY-950     | 1              | 蒸 - 压管路总成 I<br>Evaporation-Pressure Pipeline Assembly I   |                     | 右驾系列<br>RHD Series        |              |
|           | Q1460835       | 1              | 六角头组合螺栓<br>Hexagon Head Combination Bolt                  |                     |                           |              |
| 21        | 8108A-050-1    | 1              | 管夹<br>Tube Clamp  |                     |                           |              |
|           | Q1460816       | 1              | 六角头组合螺栓<br>Hexagon Head Combination Bolt                  |                     |                           |              |
| 22        | 8108A-060      | 1              | 蒸 - 压管路总成 II<br>Evaporation-Pressure Pipeline Assembly II |                     |                           |              |
|           | 8105A-010-1    | 1              | 底板<br>Baseboard   |                     |                           |              |
|           | Q1461025       | 2              | 六角头组合螺栓<br>Hexagon Head Combination Bolt                  |                     |                           |              |
|           | Q340B10        | 2              | 六角法兰面螺母<br>Hexagon Nut With Flange                        |                     |                           |              |

## 压缩机、管路、冷凝器 / COMPRESSOR, PIPELINE, CONDENSER

81-F



空气调节系统 / AIR CONDITIONING SYSTEM

81-36

| 序号<br>No. | 件号<br>Part No. | 数量<br>Quantity | 名称<br>Name                     | 规格<br>Specification | 适用产品<br>Products Applied | 备注<br>Remark |
|-----------|----------------|----------------|--------------------------------|---------------------|--------------------------|--------------|
|           | 8105A-010-2    | 1              | 支板<br>Supporting Plate         |                     |                          |              |
|           | 8105A-010-3    | 1              | 缓冲垫<br>Cushion                 |                     |                          |              |
|           | 81A-03032      | 1              | 双色尼龙套<br>Two-Tone Nylon Sleeve |                     |                          |              |





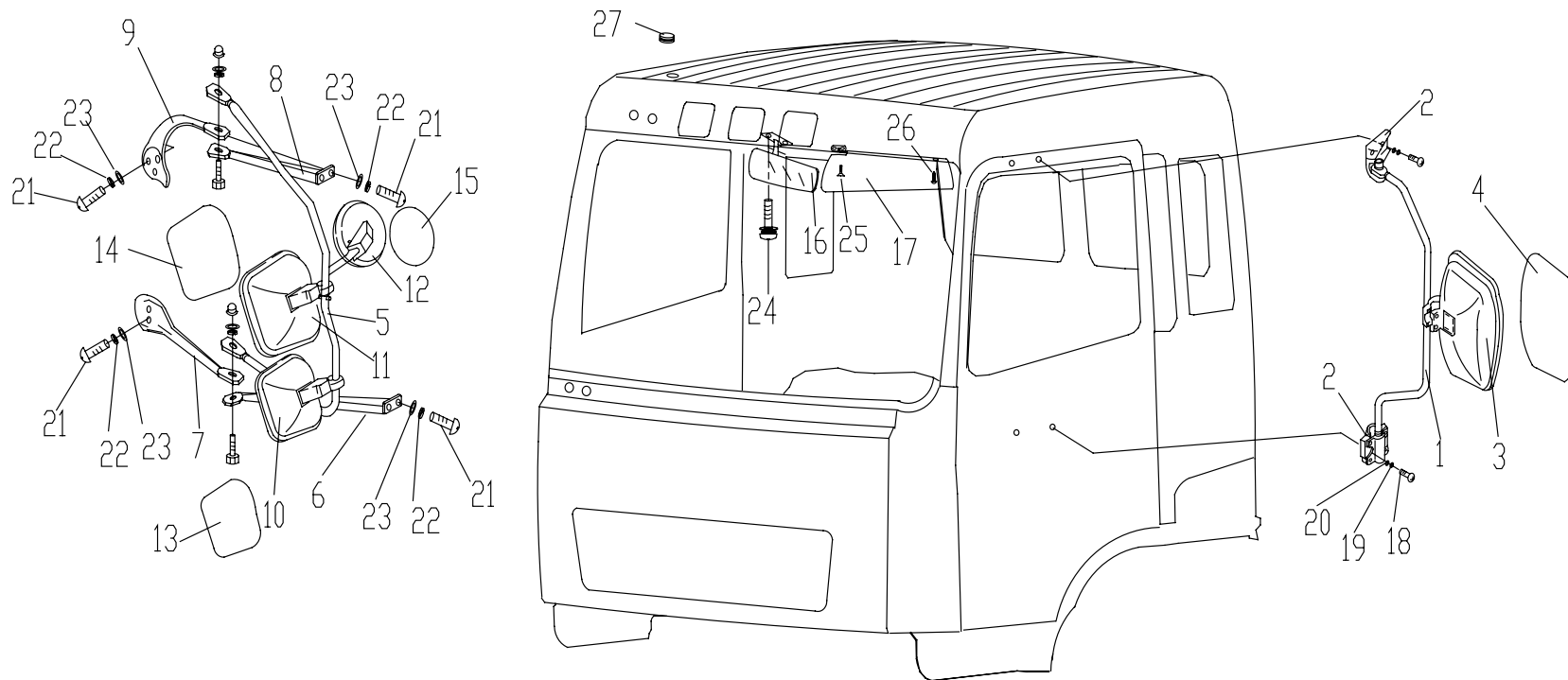
82

*附件系统*

***ACCESSORY SYSTEM***

## 后视镜、遮阳板 / REAR VIEW MIRROR, SUNSHADE

## 82-A



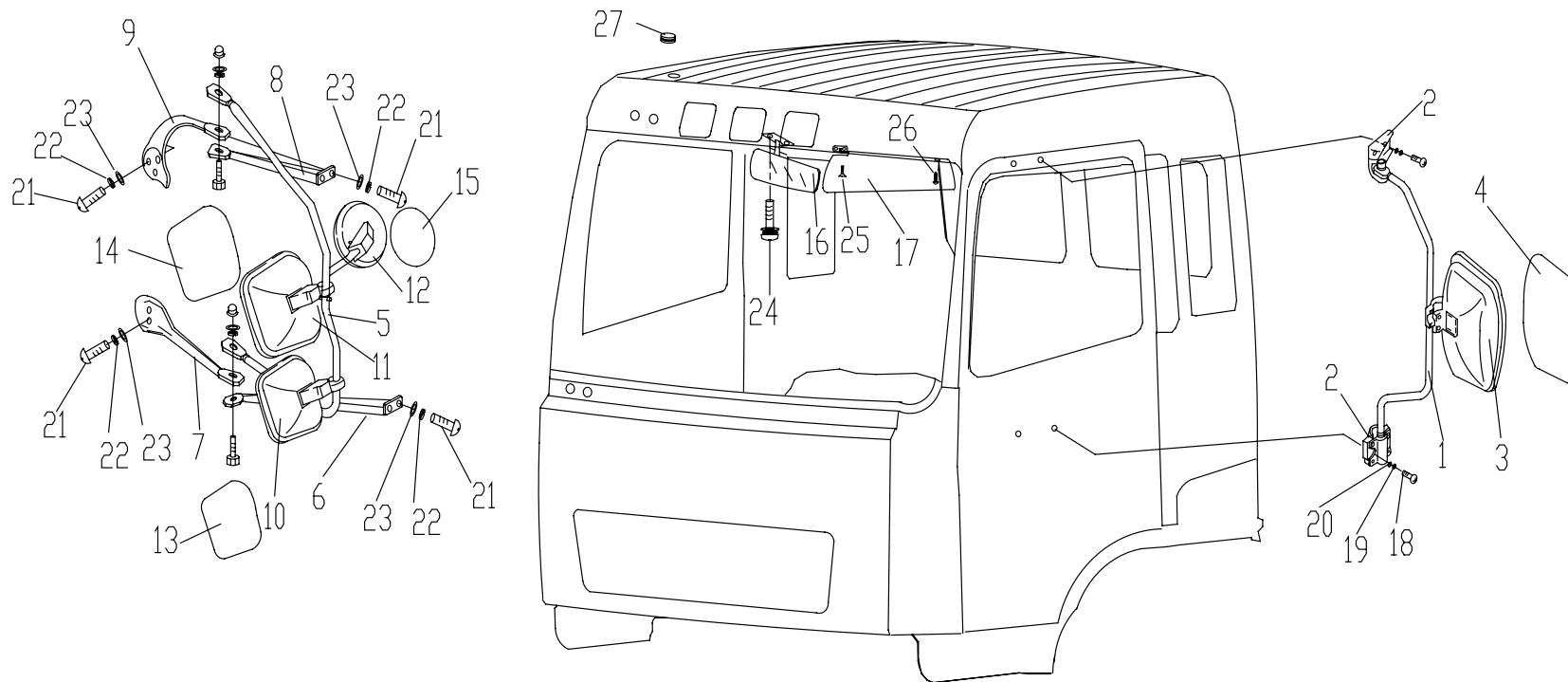
## 附件系统 / ACCESSORY SYSTEM

82-2

| 序号<br>No. | 件号<br>Part No. | 数量<br>Quantity | 名称<br>Name   | 规格<br>Specification | 适用产品<br>Products Applied | 备注<br>Remark |
|-----------|----------------|----------------|--|---------------------|--------------------------|--------------|
|           | 8202B-010      | 1              | 左外后视镜总成<br>Outer Rear View Mirror Assembly LH                    |                     |                          |              |
| 1         | 8202B-011      | 1              | 左外后视镜支架<br>Outer Rear View Mirror Bracket LH                     |                     |                          |              |
| 2         | 8202B-013      | 2              | 左外后视镜铝合金支座<br>Outer Rear View Mirror Aluminium Alloy Pedestal LH |                     |                          |              |
| 3         | 8202B-012      | 1              | 左外后视镜镜盖总成<br>Outer Rear View Mirror Cover Assembly LH            |                     |                          |              |
| 4         | 8202B-014      | 1              | 左外后视镜镜面<br>Outer Rear View Mirror Face LH                        |                     |                          |              |
|           | 8202B-040      | 1              | 右外后视镜总成<br>Outer Rear View Mirror Assembly RH                    |                     |                          |              |
| 5         | 8202B-041      | 1              | 右外后视镜支架<br>Outer Rear View Mirror Bracket RH                     |                     |                          |              |
| 6         | 8202B-044      | 1              | 左下支架 - 右外后视镜<br>Lower Bracket LH-Outer Rear View Mirror RH       |                     |                          |              |
| 7         | 8202B-045      | 1              | 右下支架 - 右外后视镜<br>Lower Bracket RH-Outer Rear View Mirror RH       |                     |                          |              |
| 8         | 8202B-042      | 1              | 左上支架 - 右外后视镜<br>Upper Bracket LH-Outer Rear View Mirror RH       |                     |                          |              |
| 9         | 8202B-043      | 1              | 右上支架 - 右外后视镜<br>Upper Bracket RH-Outer Rear View Mirror RH       |                     |                          |              |
| 10        | 8202B-052      | 1              | 右下后视镜镜盖总成<br>Downwards Rear View Mirror Cover Assembly RH        |                     |                          |              |
| 11        | 8202B-051      | 1              | 右外后视镜镜盖总成<br>Outer Rear View Mirror Cover Assembly RH            |                     |                          |              |
| 12        | 8202B-053      | 1              | 前下视镜镜盖总成<br>Front Downwards View Mirror Cover Assembly           |                     |                          |              |

## 后视镜、遮阳板 / REAR VIEW MIRROR, SUNSHADE

## 82-A



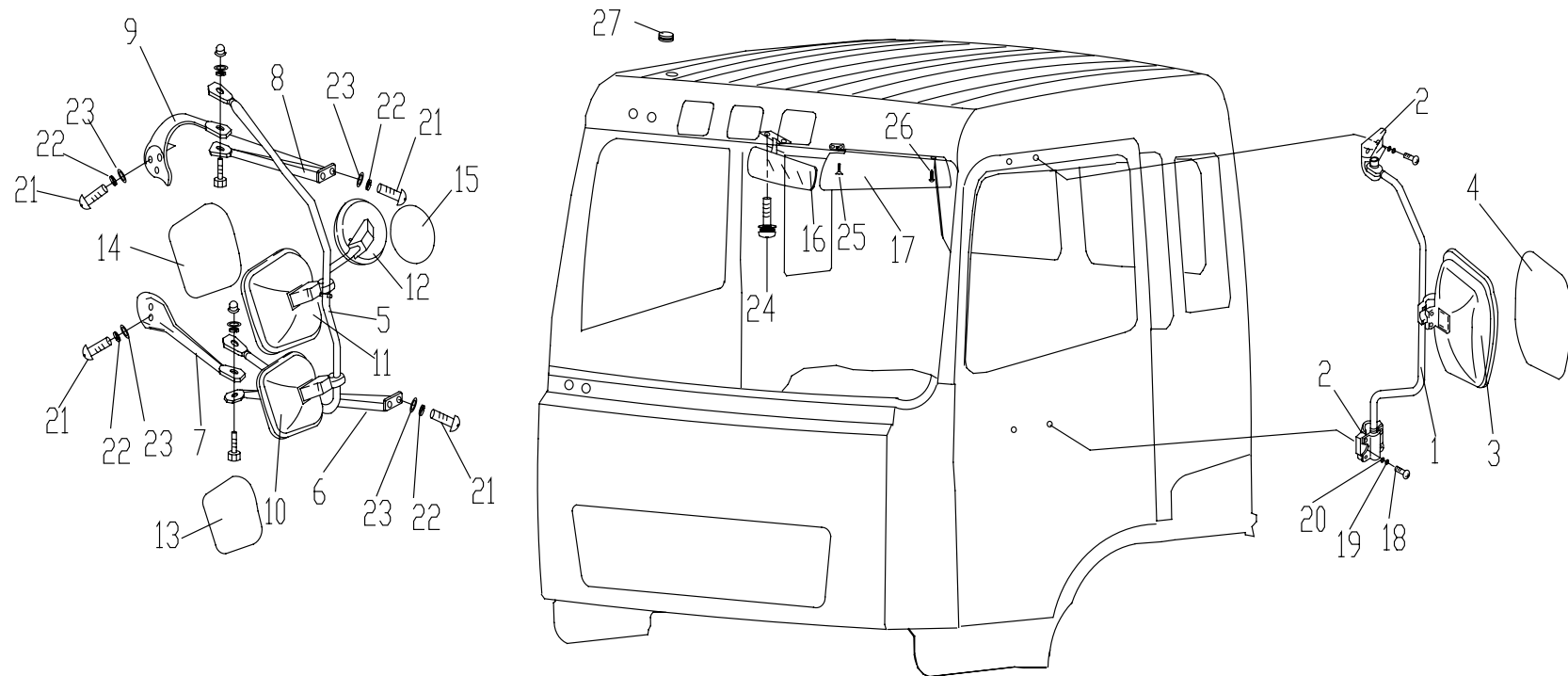
## 附件系统 / ACCESSORY SYSTEM

82-4

| 序号<br>No. | 件号<br>Part No. | 数量<br>Quantity | 名称<br>Name   | 规格<br>Specification | 适用产品<br>Products Applied | 备注<br>Remark |
|-----------|----------------|----------------|--|---------------------|--------------------------|--------------|
| 13        | 8202B-055      | 1              | 右下后视镜镜面<br>Downwards Rear View Mirror Face RH                  |                     |                          |              |
| 14        | 8202B-054      | 1              | 右外后视镜镜面<br>Outer Rear View Mirror Face RH                      |                     |                          |              |
| 15        | 8202B-056      | 1              | 前下视镜镜面<br>Front Downwards View Mirror Face                     |                     |                          |              |
| 16        | 8201B-010      | 1              | 内后视镜总成<br>Inner Rear View Mirror Assembly                      |                     |                          |              |
| 17        | 8204B-010      | 1              | 左遮阳板总成<br>Sunshade Assembly LH                                 |                     |                          |              |
|           | 8204B-040      | 1              | 右遮阳板总成<br>Sunshade Assembly RH                                 |                     |                          |              |
| 18        | Q174B0620      | 4              | 六角头头部带十字槽螺栓<br>Hexagon Head Bolt W/ Cross Recessed Head        |                     |                          |              |
| 19        | Q40306         | 4              | 弹簧垫圈<br>Spring Washer  |                     |                          |              |
| 20        | Q40106         | 4              | 平垫圈<br>Plate Washer  |                     |                          |              |
| 21        | Q2140830       | 9              | 十字槽盘头螺钉<br>Cross Recessed Pan Head Screw                       |                     |                          |              |
| 22        | Q40308         | 9              | 弹簧垫圈<br>Spring Washer  |                     |                          |              |
| 23        | Q40108         | 9              | 平垫圈<br>Plate Washer  |                     |                          |              |
| 24        | Q2360616       | 2              | 十字槽平垫组合螺栓<br>Cross Recessed Combination Bolt With Plate Washer |                     |                          |              |
| 25        | Q2540635       | 4              | 十字槽沉头螺钉<br>Cross Recessed Countersunk Head Screw               |                     |                          |              |

## 后视镜、遮阳板 / REAR VIEW MIRROR, SUNSHADE

## 82-A



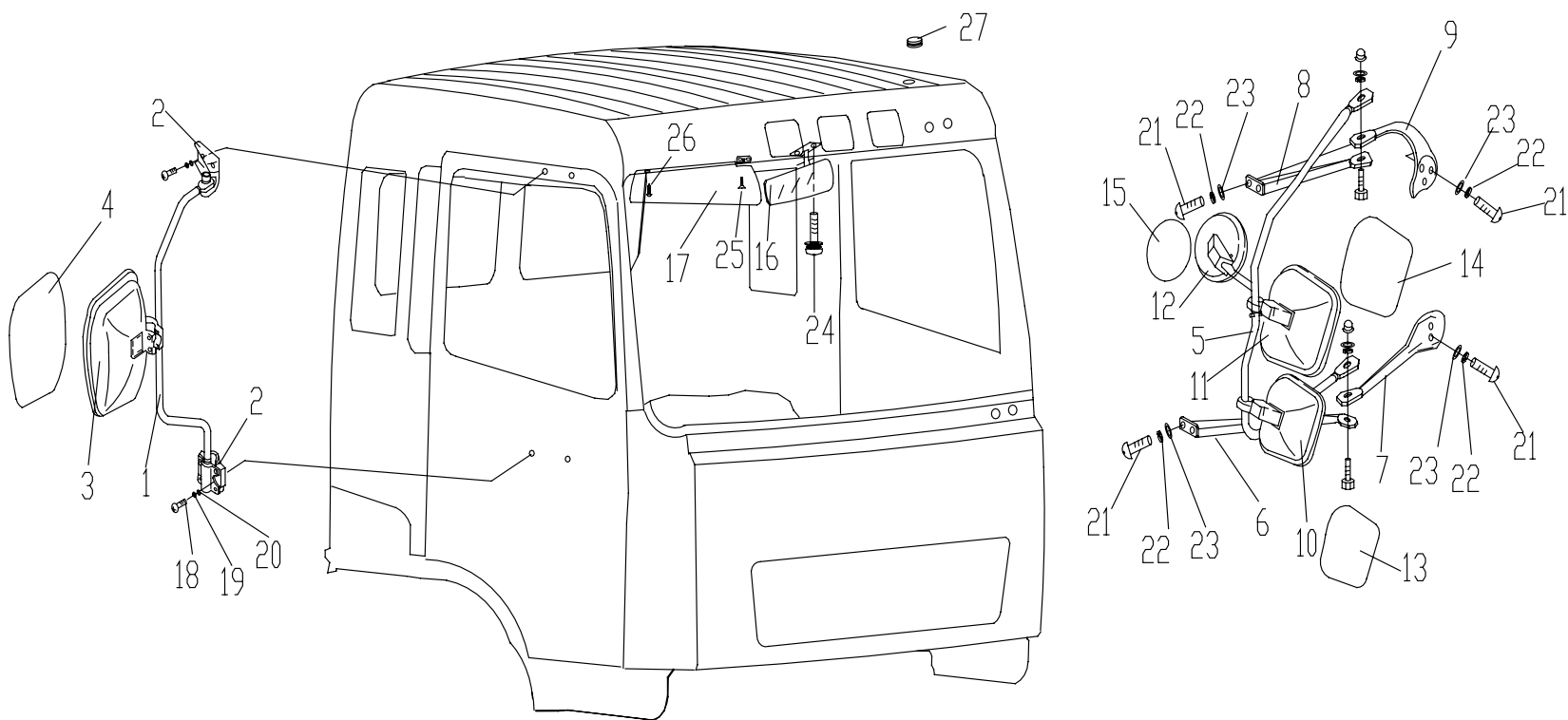
## 附件系统 / ACCESSORY SYSTEM

82-6

| 序号<br>No. | 件号<br>Part No. | 数量<br>Quantity | 名称<br>Name   | 规格<br>Specification | 适用产品<br>Products Applied | 备注<br>Remark |
|-----------|----------------|----------------|--|---------------------|--------------------------|--------------|
| 26        | Q2734816       | 2              | 十字槽大半圆头自攻螺钉<br>Cross Recessed Cup Head Self-Tapping Screw<br>With Large Head |                     |                          |              |
| 27        | 57B-02014      | 1              | 前顶橡胶堵盖<br>Front Roof Rubber Block Cover                                      |                     |                          |              |

## 后视镜、遮阳板 (右驾系列) / REAR VIEW MIRROR, SUNSHADE (RHD SERIES)

## 82-B





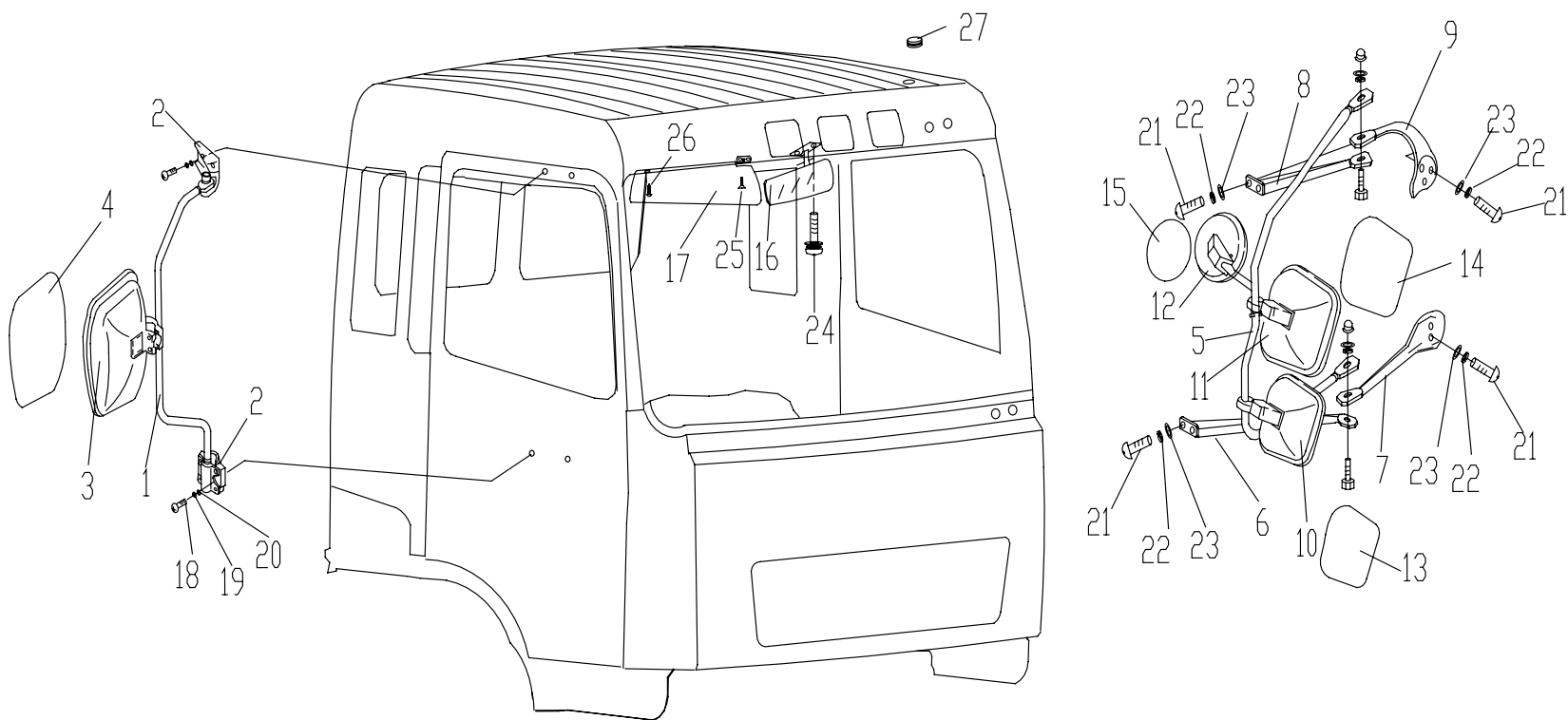
## 附件系统 / ACCESSORY SYSTEM

82-8

| 序号<br>No. | 件号<br>Part No. | 数量<br>Quantity | 名称<br>Name   | 规格<br>Specification | 适用产品<br>Products Applied | 备注<br>Remark |
|-----------|----------------|----------------|--|---------------------|--------------------------|--------------|
|           | 8202BY-010     | 1              | 左外后视镜总成<br>Outer Rear View Mirror Assembly LH                    |                     | 右驾系列<br>RHD Series       |              |
| 1         | 8202BY-011     | 1              | 左外后视镜支架<br>Outer Rear View Mirror Bracket LH                     |                     | 右驾系列<br>RHD Series       |              |
| 2         | 8202BY-013     | 2              | 左外后视镜铝合金支座<br>Outer Rear View Mirror Aluminium Alloy Pedestal LH |                     | 右驾系列<br>RHD Series       |              |
| 3         | 8202BY-012     | 1              | 左外后视镜镜盖总成<br>Outer Rear View Mirror Cover Assembly LH            |                     | 右驾系列<br>RHD Series       |              |
| 4         | 8202BY-014     | 1              | 左外后视镜镜面<br>Outer Rear View Mirror Face LH                        |                     | 右驾系列<br>RHD Series       |              |
|           | 8202BY-040     | 1              | 右外后视镜总成<br>Outer Rear View Mirror Assembly RH                    |                     | 右驾系列<br>RHD Series       |              |
| 5         | 8202BY-041     | 1              | 右外后视镜支架<br>Outer Rear View Mirror Bracket RH                     |                     | 右驾系列<br>RHD Series       |              |
| 6         | 8202BY-044     | 1              | 左下支架 - 右外后视镜<br>Lower Bracket LH-Outer Rear View Mirror RH       |                     | 右驾系列<br>RHD Series       |              |
| 7         | 8202BY-045     | 1              | 右下支架 - 右外后视镜<br>Lower Bracket RH-Outer Rear View Mirror RH       |                     | 右驾系列<br>RHD Series       |              |
| 8         | 8202BY-042     | 1              | 左上支架 - 右外后视镜<br>Upper Bracket LH-Outer Rear View Mirror RH       |                     | 右驾系列<br>RHD Series       |              |
| 9         | 8202BY-043     | 1              | 右上支架 - 右外后视镜<br>Upper Bracket RH-Outer Rear View Mirror RH       |                     | 右驾系列<br>RHD Series       |              |
| 10        | 8202BY-052     | 1              | 右下后视镜镜盖总成<br>Downwards Rear View Mirror Cover Assembly RH        |                     | 右驾系列<br>RHD Series       |              |
| 11        | 8202BY-051     | 1              | 右外后视镜镜盖总成<br>Outer Rear View Mirror Cover Assembly RH            |                     | 右驾系列<br>RHD Series       |              |
| 12        | 8202BY-053     | 1              | 前下视镜镜盖总成<br>Front Downwards View Mirror Cover Assembly           |                     | 右驾系列<br>RHD Series       |              |

## 后视镜、遮阳板 (右驾系列) / REAR VIEW MIRROR, SUNSHADE (RHD SERIES)

## 82-B



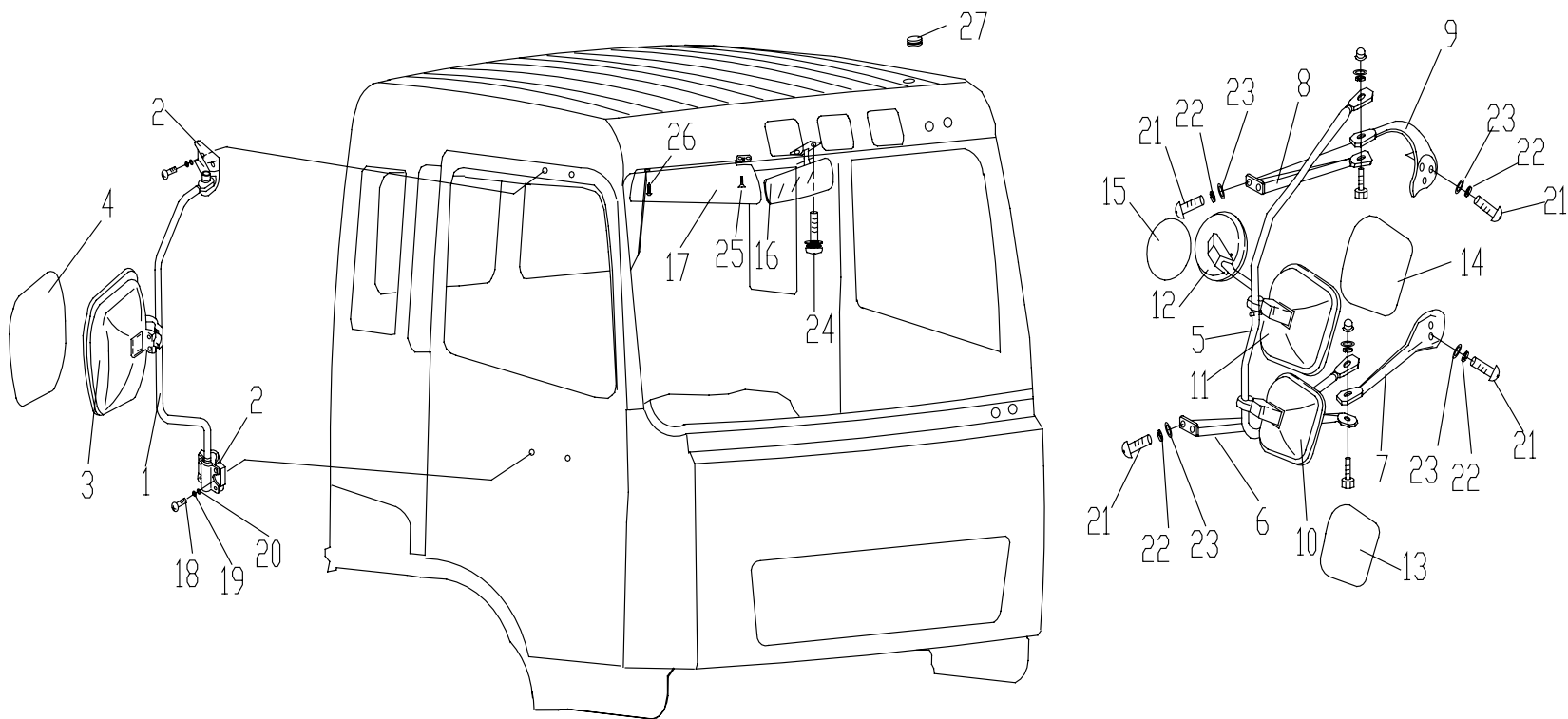
## 附件系统 / ACCESSORY SYSTEM

82-10

| 序号<br>No. | 件号<br>Part No. | 数量<br>Quantity | 名称<br>Name   | 规格<br>Specification | 适用产品<br>Products Applied | 备注<br>Remark |
|-----------|----------------|----------------|--|---------------------|--------------------------|--------------|
| 13        | 8202BY-055     | 1              | 右下后视镜镜面<br>Downwards Rear View Mirror Face RH                  |                     | 右驾系列<br>RHD Series       |              |
| 14        | 8202BY-054     | 1              | 右外后视镜镜面<br>Outer Rear View Mirror Face RH                      |                     | 右驾系列<br>RHD Series       |              |
| 15        | 8202BY-056     | 1              | 前下视镜镜面<br>Front Downwards View Mirror Face                     |                     | 右驾系列<br>RHD Series       |              |
| 16        | 8201B-010      | 1              | 内后视镜总成<br>Inner Rear View Mirror Assembly                      |                     |                          |              |
| 17        | 8204B-010      | 1              | 左遮阳板总成<br>Sunshade Assembly LH                                 |                     |                          |              |
|           | 8204B-040      | 1              | 右遮阳板总成<br>Sunshade Assembly RH                                 |                     |                          |              |
| 18        | Q174B0620      | 4              | 六角头头部带十字槽螺栓<br>Hexagon Head Bolt W/ Cross Recessed Head        |                     |                          |              |
| 19        | Q40306         | 4              | 弹簧垫圈<br>Spring Washer  |                     |                          |              |
| 20        | Q40106         | 4              | 平垫圈<br>Plate Washer  |                     |                          |              |
| 21        | Q2140830       | 9              | 十字槽盘头螺钉<br>Cross Recessed Pan Head Screw                       |                     |                          |              |
| 22        | Q40308         | 9              | 弹簧垫圈<br>Spring Washer  |                     |                          |              |
| 23        | Q40108         | 9              | 平垫圈<br>Plate Washer  |                     |                          |              |
| 24        | Q2360616       | 2              | 十字槽平垫组合螺栓<br>Cross Recessed Combination Bolt With Plate Washer |                     |                          |              |
| 25        | Q2540635       | 4              | 十字槽沉头螺钉<br>Cross Recessed Countersunk Head Screw               |                     |                          |              |

## 后视镜、遮阳板 (右驾系列) / REAR VIEW MIRROR, SUNSHADE (RHD SERIES)

## 82-B



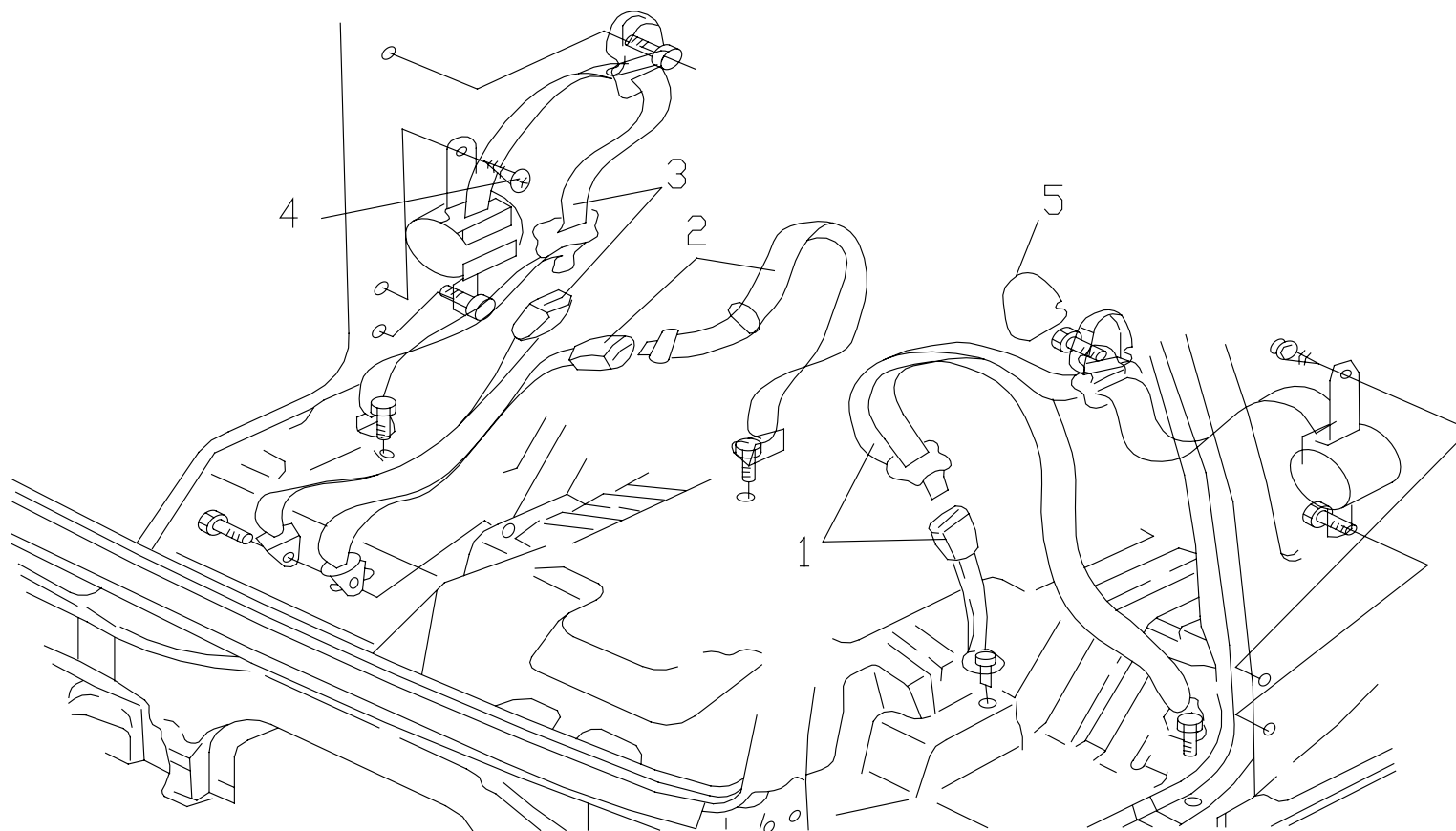
## 附件系统 / ACCESSORY SYSTEM

82-12

| 序号<br>No. | 件号<br>Part No. | 数量<br>Quantity | 名称<br>Name   | 规格<br>Specification | 适用产品<br>Products Applied | 备注<br>Remark |
|-----------|----------------|----------------|--|---------------------|--------------------------|--------------|
| 26        | Q2734816       | 2              | 十字槽大半圆头自攻螺钉<br>Cross Recessed Cup Head Self-Tapping Screw<br>With Large Head |                     |                          |              |
| 27        | 57B-02014      | 1              | 前顶橡胶堵盖<br>Front Roof Rubber Block Cover                                      |                     |                          |              |

## 安全带装置 / SEAT BELT

82-C



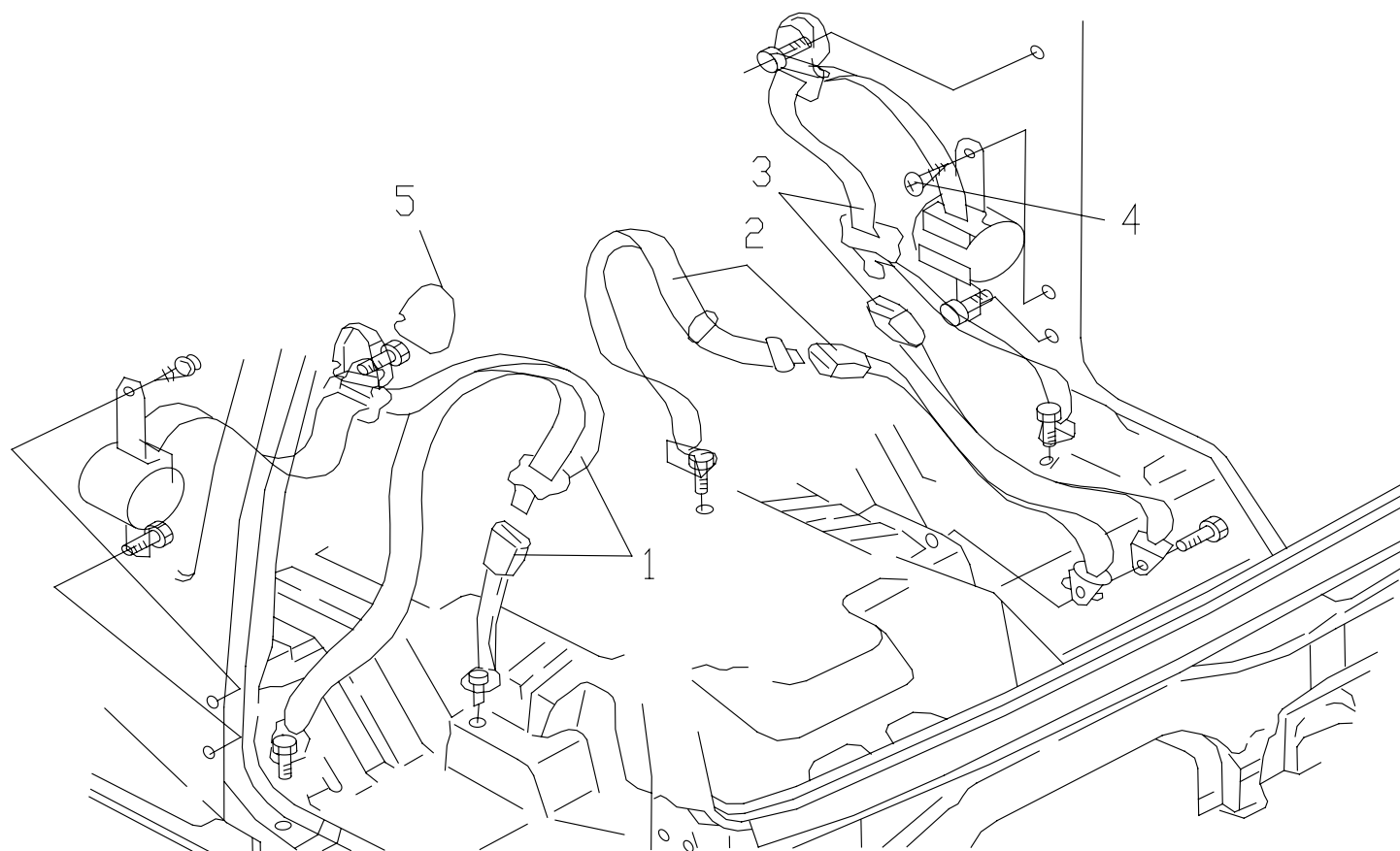
## 附件系统 / ACCESSORY SYSTEM

82-14

| 序号<br>No. | 件号<br>Part No. | 数量<br>Quantity | 名称<br>Name   | 规格<br>Specification | 适用产品<br>Products Applied | 备注<br>Remark |
|-----------|----------------|----------------|--|---------------------|--------------------------|--------------|
| 1         | 82B-12010      | 1              | 司机安全带总成<br>Driver Seat Belt Assembly   |                     |                          |              |
| 2         | 82B-12048      | 1              | 中间安全带总成<br>Middle Seat Belt Assembly   |                     |                          |              |
| 3         | 82B-12050      | 1              | 乘客安全带总成<br>Passenger Seat Belt Assembly                                      |                     |                          |              |
| 4         | Q2734816       | 2              | 十字槽大半圆头自攻螺钉<br>Cross Recessed Cup Head Self-Tapping Screw<br>With Large Head |                     |                          |              |
| 5         | 54B1-02135     | 1              | 左安全带上锁附盖板<br>Left Seat Belt Upper Lock Cover Board                           |                     |                          |              |
|           | 54B1-02136     | 1              | 右安全带上锁附盖板<br>Right Seat Belt Upper Lock Cover Board                          |                     |                          |              |

## 安全带装置 (右驾系列) / SEAT BELT (RHD SERIES)

82-D





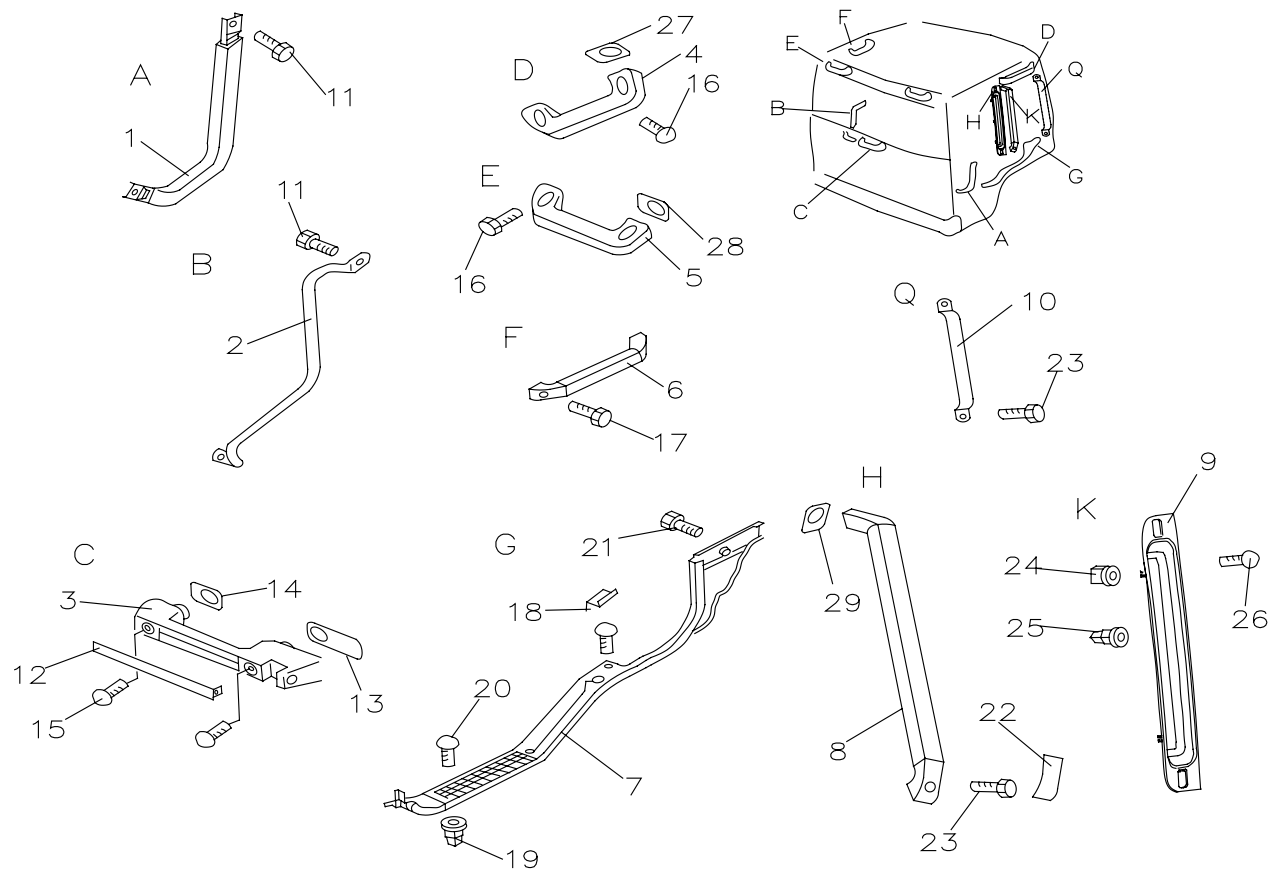
## 附件系统 / ACCESSORY SYSTEM

82-16

| 序号<br>No. | 件号<br>Part No. | 数量<br>Quantity | 名称<br>Name   | 规格<br>Specification | 适用产品<br>Products Applied | 备注<br>Remark |
|-----------|----------------|----------------|--|---------------------|--------------------------|--------------|
| 1         | 82B-12010      | 1              | 司机安全带总成<br>Driver Seat Belt Assembly   |                     |                          |              |
| 2         | 82B-12048      | 1              | 中间安全带总成<br>Middle Seat Belt Assembly   |                     |                          |              |
| 3         | 82B-12050      | 1              | 乘客安全带总成<br>Passenger Seat Belt Assembly                                      |                     |                          |              |
| 4         | Q2734816       | 2              | 十字槽大半圆头自攻螺钉<br>Cross Recessed Cup Head Self-Tapping Screw<br>With Large Head |                     |                          |              |
| 5         | 54B1-02135     | 1              | 左安全带上锁附盖板<br>Left Seat Belt Upper Lock Cover Board                           |                     |                          |              |
|           | 54B1-02136     | 1              | 右安全带上锁附盖板<br>Right Seat Belt Upper Lock Cover Board                          |                     |                          |              |

## 扶手 / ARM REST

## 82-E



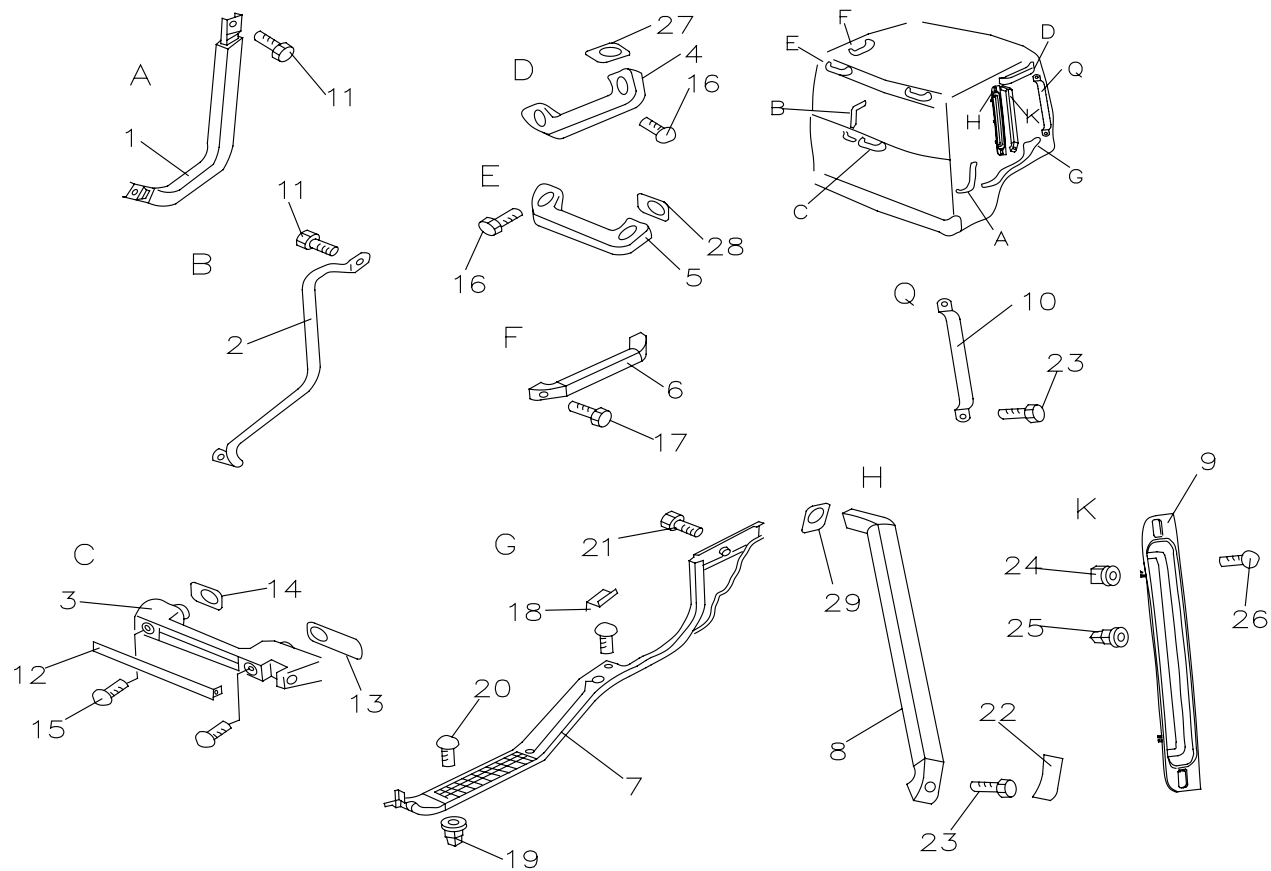
## 附件系统 / ACCESSORY SYSTEM

82-18

| 序号<br>No. | 件号<br>Part No. | 数量<br>Quantity | 名称<br>Name                                      | 规格<br>Specification | 适用产品<br>Products Applied               | 备注<br>Remark |
|-----------|----------------|----------------|---|---------------------|--|--------------|
| 1         | 53A-05195      | 1              | 仪表板左扶手<br>Dashboard Arm Rest LH                 |                     |  |              |
|           | 53A-05196      | 1              | 仪表板右扶手<br>Dashboard Arm Rest RH                 |                     |  |              |
| 2         | 82B-07012      | 1              | 右侧门把手<br>Door Handle RH                         |                     |  |              |
|           | 82B-07011      | 1              | 左侧门把手<br>Door Handle LH                         |                     | 搅拌车 / 自卸车无<br>Except Mixer, Dump Truck |              |
| 3         | 82B-07025      | 1              | 前风窗下把手 - 左<br>Front Windshield Lower Handle-LH  |                     |  |              |
|           | 82B-07026      | 1              | 前风窗下把手 - 右<br>Front Windshield Lower Handle-RH  |                     |  |              |
| 4         | 82B-07045      | 2              | 侧窗上把手<br>Side Window Upper Handle               |                     |  |              |
| 5         | 82B-07015      | 2              | 顶盖外把手<br>Roof Cover Outer Handle                |                     |  |              |
| 6         | 82B-07050      | 1              | 乘客扶手总成<br>Passenger Arm Rest Assembly           |                     |  |              |
| 7         | 54B1-02111     | 1              | 左门槛饰板<br>Door Sill Trim Board LH                |                     | 非搅拌车、非自卸车<br>Except Mixer, Dump Truck  |              |
|           | 54AD-02111     | 1              | 左门槛饰板<br>Door Sill Trim Board LH                |                     | 搅拌车、自卸车<br>Mixer, Dump Truck           |              |
|           | 54B1-02112     | 1              | 右门槛饰板<br>Door Sill Trim Board RH                |                     |  |              |
| 8         | 82B-07035      | 2              | 侧围把手总成<br>Quarter Handle Assembly               |                     |  |              |
| 9         | 82B-07037/38   | 1/1            | 左 / 右侧围把手装饰板<br>Quarter Handle Trim Board LH/RH |                     |  |              |

## 扶手 / ARM REST

## 82-E



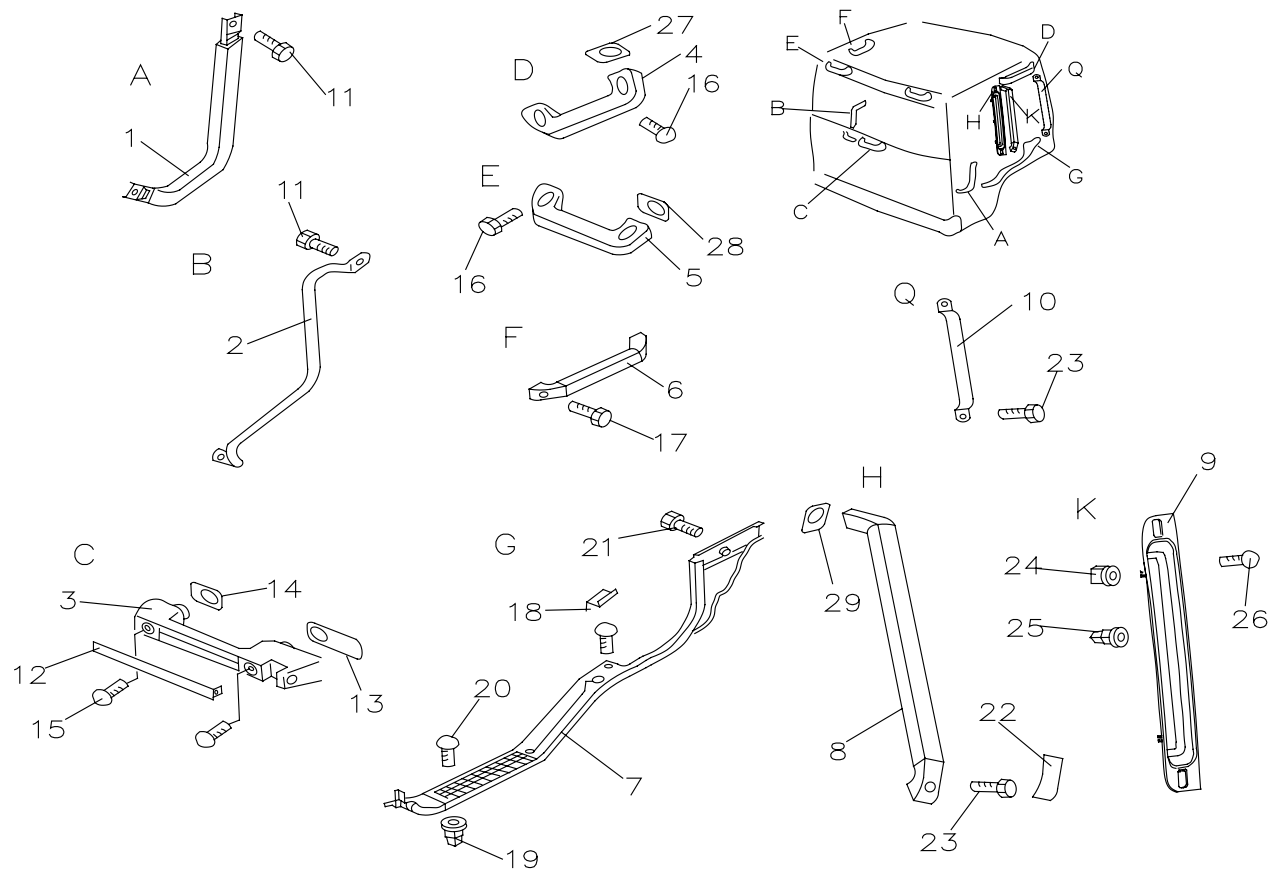
## 附件系统 / ACCESSORY SYSTEM

82-20

| 序号<br>No. | 件号<br>Part No. | 数量<br>Quantity | 名称<br>Name  | 规格<br>Specification | 适用产品<br>Products Applied                           | 备注<br>Remark |
|-----------|----------------|----------------|---|---------------------|--|--------------|
| 10        | 82B-07055      | 1              | 左后侧外把手<br>Rear Side Outer Handle LH                                 |                     |  |              |
| 11        | Q1460816       | 8              | 六角头组合螺栓<br>Hexagon Head Combination Bolt                            |                     |  |              |
| 12        | 82B-07030      | 2              | 前风窗下把手装饰条<br>Front Windshield Lower Handle Trim                     |                     |  |              |
| 13        | 82B-07027      | 2              | 前风窗下把手橡胶垫 - 大<br>Front Windshield Lower Handle Rubber Washer-Big    |                     |  |              |
| 14        | 82B-07028      | 2              | 前风窗下把手橡胶垫 - 小<br>Front Windshield Lower Handle Rubber Washer-Small  |                     |  |              |
| 15        | Q1460830       | 4              | 六角头组合螺栓<br>Hexagon Head Combination Bolt                            |                     |  |              |
| 16        | Q1460825       | 8              | 六角头组合螺栓<br>Hexagon Head Combination Bolt                            |                     |  |              |
| 17        | Q2140620       | 2              | 十字槽盘头螺钉<br>Cross Recessed Pan Head Screw                            |                     |  |              |
| 18        | 54B1-02114     | 2              | 门槛饰板堵盖<br>Door Sill Trim Board Block Cover                          |                     |  |              |
| 19        | 51A-03012      | 10/9           | 圆型塑料螺母 F<br>Round Plastic Nut F                                     |                     | 搅拌车 / 自卸车为 9 个<br>9 Pieces In Mixer And Dump Truck |              |
| 20        | Q2715532       | 8/7            | 十字槽盘头自攻螺钉 -C 型<br>Cross Recessed Pan Head Self-Tapping Screw-C Type |                     | 搅拌车 / 自卸车为 7 个<br>7 Pieces In Mixer And Dump Truck |              |
| 21        | Q2715519       | 2              | 十字槽盘头自攻螺钉 -C 型<br>Cross Recessed Pan Head Self-Tapping Screw-C Type |                     |  |              |
| 22        | 82B-07034      | 2              | 侧围把手堵盖<br>Quarter Handle Block Cover                                |                     |  |              |
| 23        | Q1460820       | 6              | 六角头组合螺栓<br>Hexagon Head Combination Bolt                            |                     |  |              |

## 扶手 / ARM REST

## 82-E



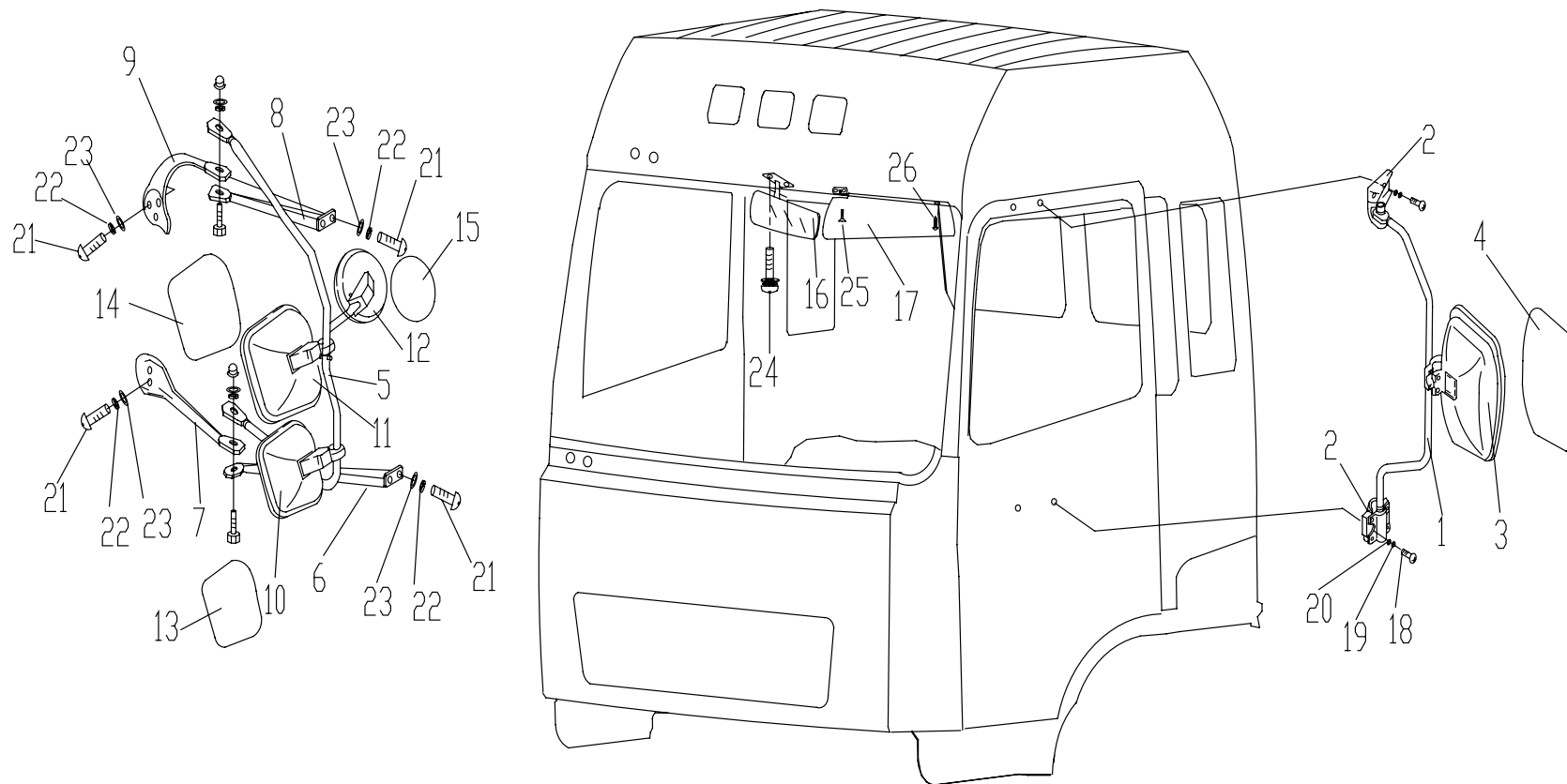
## 附件系统 / ACCESSORY SYSTEM

82-22

| 序号<br>No. | 件号<br>Part No. | 数量<br>Quantity | 名称<br>Name   | 规格<br>Specification | 适用产品<br>Products Applied                     | 备注<br>Remark |
|-----------|----------------|----------------|--|---------------------|--|--------------|
| 24        | 82B-07043      | 6              | 塑料卡扣 A<br>Plastic Buckle A   |                     |  |              |
| 25        | 82B-07044      | 6              | 圆型塑料螺母 A<br>Round Plastic Nut A  |                     |  |              |
| 26        | Q2734816       | 6              | 十字槽大半圆头自攻螺钉<br>Cross Recessed Cup Head Self-Tapping Screw<br>With Large Head |                     |  |              |
| 27        | 82B-07046      | 4              | 侧窗上把手橡胶垫<br>Side Window Upper Handle Rubber Washer                           |                     |  |              |
| 28        | 82B-07016      | 4              | 顶盖外把手橡胶垫<br>Roof Cover Outer Handle Rubber Washer                            |                     |  |              |
| 29        | 82B-07036      | 4              | 侧围把手橡胶垫<br>Quarter Handle Rubber Washer                                      |                     |  |              |
|           | 54AD-03020     | 1              | 操纵手柄及支架总成 -PTO<br>Control Knob And Bracket Assembly-PTO                      |                     | 搅拌车 / 自卸车专用<br>Only For Mixer And Dump Truck |              |
|           | Q1460825       | 3              | 六角头组合螺栓<br>Hexagon Head Combination Bolt                                     |                     | 搅拌车 / 自卸车专用<br>Only For Mixer And Dump Truck |              |

## 后视镜、遮阳板 / REAR VIEW MIRROR, SUNSHADE

82-F





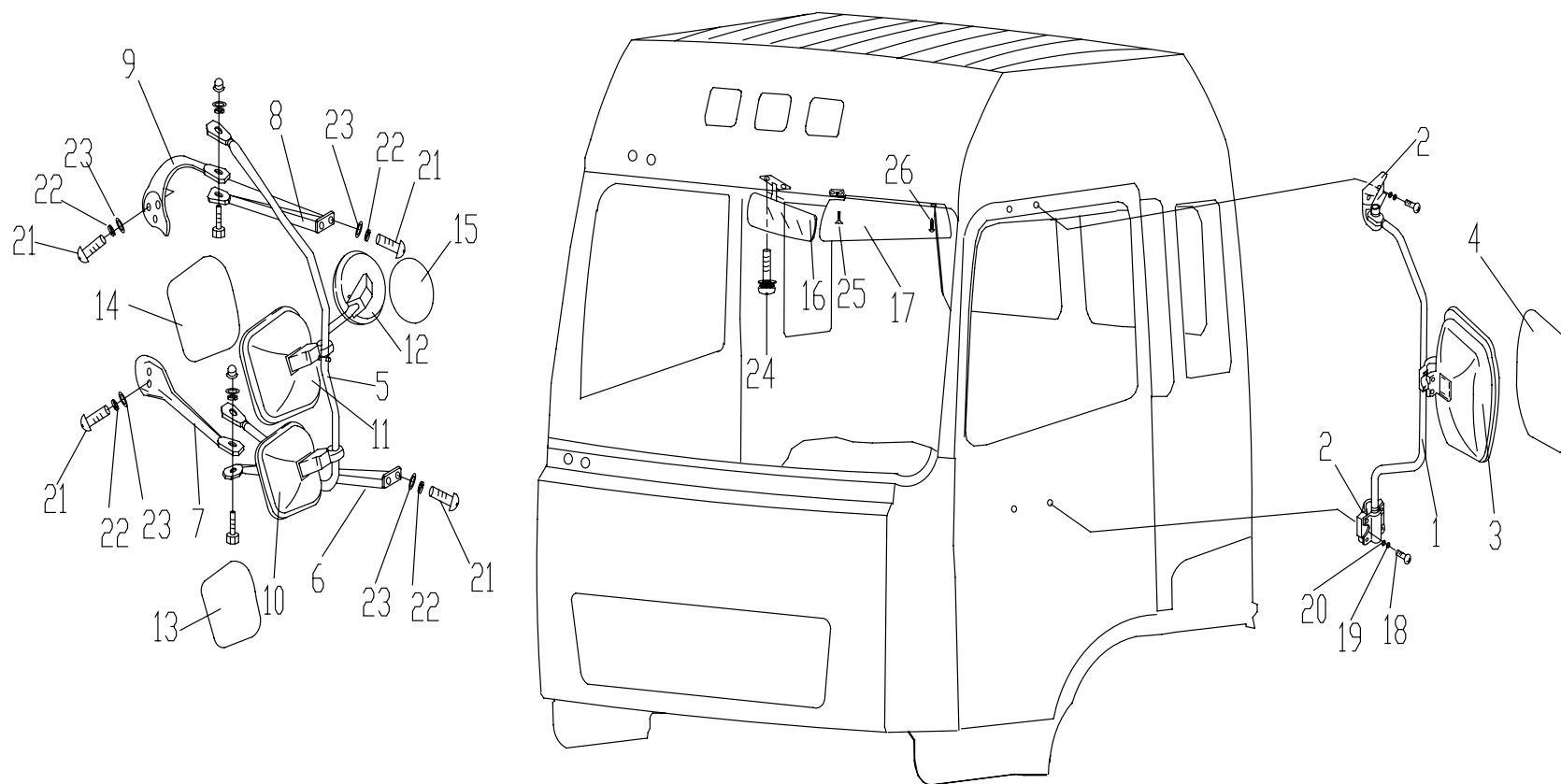
## 附件系统 / ACCESSORY SYSTEM

82-24

| 序号<br>No. | 件号<br>Part No. | 数量<br>Quantity | 名称<br>Name   | 规格<br>Specification | 适用产品<br>Products Applied                       | 备注<br>Remark |
|-----------|----------------|----------------|--|---------------------|--|--------------|
|           | 8202B-010      | 1              | 左外后视镜总成<br>Outer Rear View Mirror Assembly LH                    |                     | 82-F 部分为高顶驾驶室专用<br>82-F Only For High Roof Cab |              |
| 1         | 8202B-011      | 1              | 左外后视镜支架<br>Outer Rear View Mirror Bracket LH                     |                     |  |              |
| 2         | 8202B-013      | 2              | 左外后视镜铝合金支座<br>Outer Rear View Mirror Aluminium Alloy Pedestal LH |                     |  |              |
| 3         | 8202B-012      | 1              | 左外后视镜镜盖总成<br>Outer Rear View Mirror Cover Assembly LH            |                     |  |              |
| 4         | 8202B-014      | 1              | 左外后视镜镜面<br>Outer Rear View Mirror Face LH                        |                     |  |              |
|           | 8202G-040      | 1              | 右外后视镜总成<br>Outer Rear View Mirror Assembly RH                    |                     |  |              |
| 5         | 8202G-041      | 1              | 右外后视镜支架<br>Outer Rear View Mirror Bracket RH                     |                     |  |              |
| 6         | 8202B-044      | 1              | 左下支架 - 右外后视镜<br>Lower Bracket LH-Outer Rear View Mirror RH       |                     |  |              |
| 7         | 8202B-045      | 1              | 右下支架 - 右外后视镜<br>Lower Bracket RH-Outer Rear View Mirror RH       |                     |  |              |
| 8         | 8202B-042      | 1              | 左上支架 - 右外后视镜<br>Upper Bracket LH-Outer Rear View Mirror RH       |                     |  |              |
| 9         | 8202B-043      | 1              | 右上支架 - 右外后视镜<br>Upper Bracket RH-Outer Rear View Mirror RH       |                     |  |              |
| 10        | 8202B-051      | 1              | 右下后视镜镜盖总成<br>Downwards Rear View Mirror Cover Assembly RH        |                     |  |              |
| 11        | 8202B-052      | 1              | 右外后视镜镜盖总成<br>Outer Rear View Mirror Cover Assembly RH            |                     |  |              |
| 12        | 8202B-053      | 1              | 前下视镜镜盖总成<br>Front Downwards View Mirror Cover Assembly           |                     |  |              |

## 后视镜、遮阳板 / REAR VIEW MIRROR, SUNSHADE

82-F



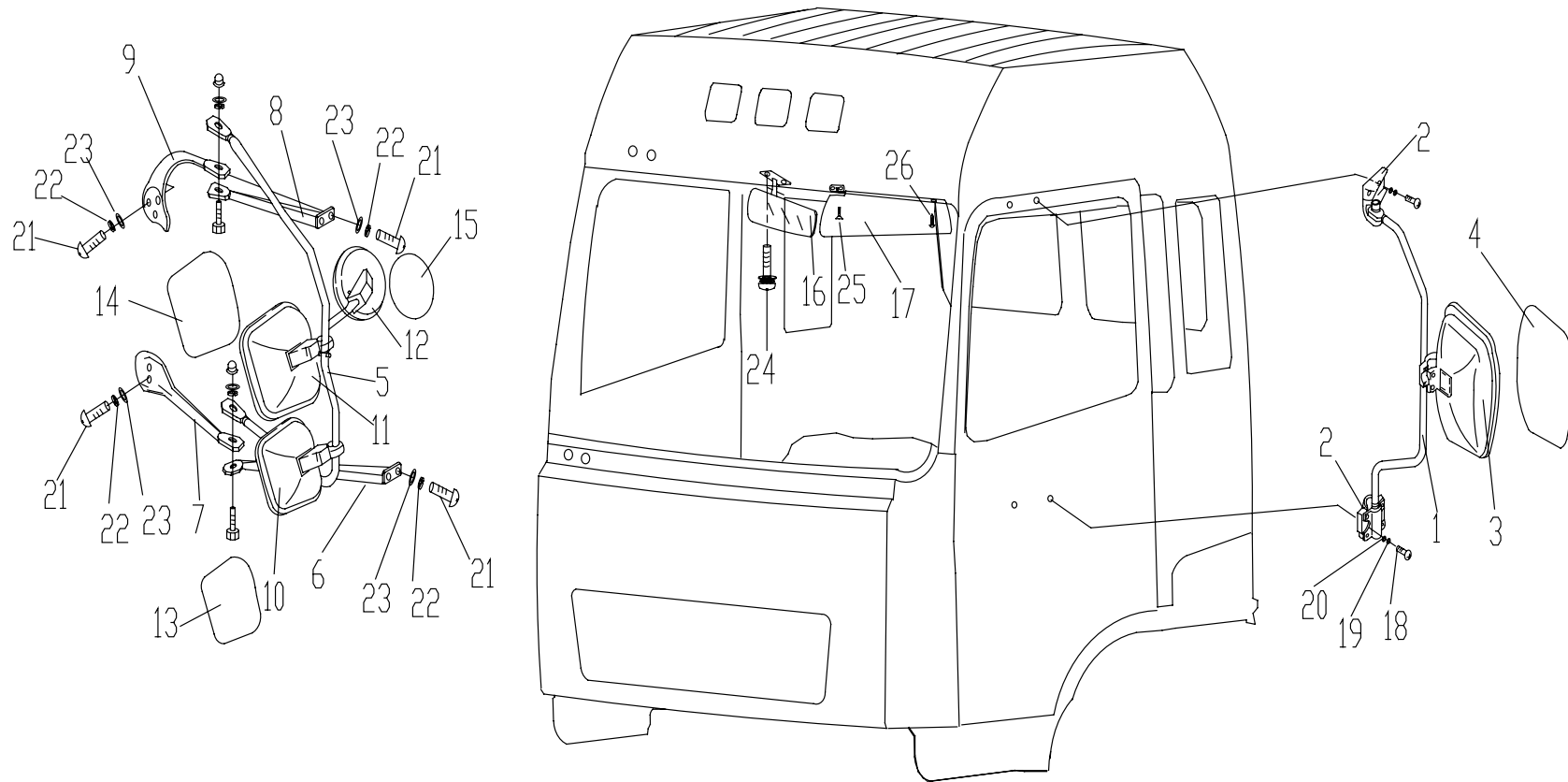
## 附件系统 / ACCESSORY SYSTEM

82-26

| 序号<br>No. | 件号<br>Part No. | 数量<br>Quantity | 名称<br>Name   | 规格<br>Specification | 适用产品<br>Products Applied | 备注<br>Remark |
|-----------|----------------|----------------|--|---------------------|--------------------------|--------------|
| 13        | 8202B-054      | 1              | 右下后视镜镜面<br>Downwards Rear View Mirror Face RH                  |                     |                          |              |
| 14        | 8202B-055      | 1              | 右外后视镜镜面<br>Outer Rear View Mirror Face RH                      |                     |                          |              |
| 15        | 8202B-056      | 1              | 前下视镜镜面<br>Front Downwards View Mirror Face                     |                     |                          |              |
| 16        | 8201B-010      | 1              | 内后视镜总成<br>Inner Rear View Mirror Assembly                      |                     |                          |              |
| 17        | 8204B-010      | 1              | 左遮阳板总成<br>Sunshade Assembly LH                                 |                     |                          |              |
|           | 8204B-040      | 1              | 右遮阳板总成<br>Sunshade Assembly RH                                 |                     |                          |              |
| 18        | Q174B0620      | 4              | 六角头头部带十字槽螺栓<br>Hexagon Head Bolt W/ Cross Recessed Head        |                     |                          |              |
| 19        | Q40306         | 4              | 弹簧垫圈<br>Spring Washer  |                     |                          |              |
| 20        | Q40106         | 4              | 平垫圈<br>Plate Washer  |                     |                          |              |
| 21        | Q2140830       | 9              | 十字槽盘头螺钉<br>Cross Recessed Pan Head Screw                       |                     |                          |              |
| 22        | Q40308         | 9              | 弹簧垫圈<br>Spring Washer  |                     |                          |              |
| 23        | Q40108         | 9              | 平垫圈<br>Plate Washer  |                     |                          |              |
| 24        | Q2360616       | 2              | 十字槽平垫组合螺栓<br>Cross Recessed Combination Bolt With Plate Washer |                     |                          |              |
| 25        | Q2540635       | 4              | 十字槽沉头螺钉<br>Cross Recessed Countersunk Head Screw               |                     |                          |              |

## 后视镜、遮阳板 / REAR VIEW MIRROR, SUNSHADE

82-F



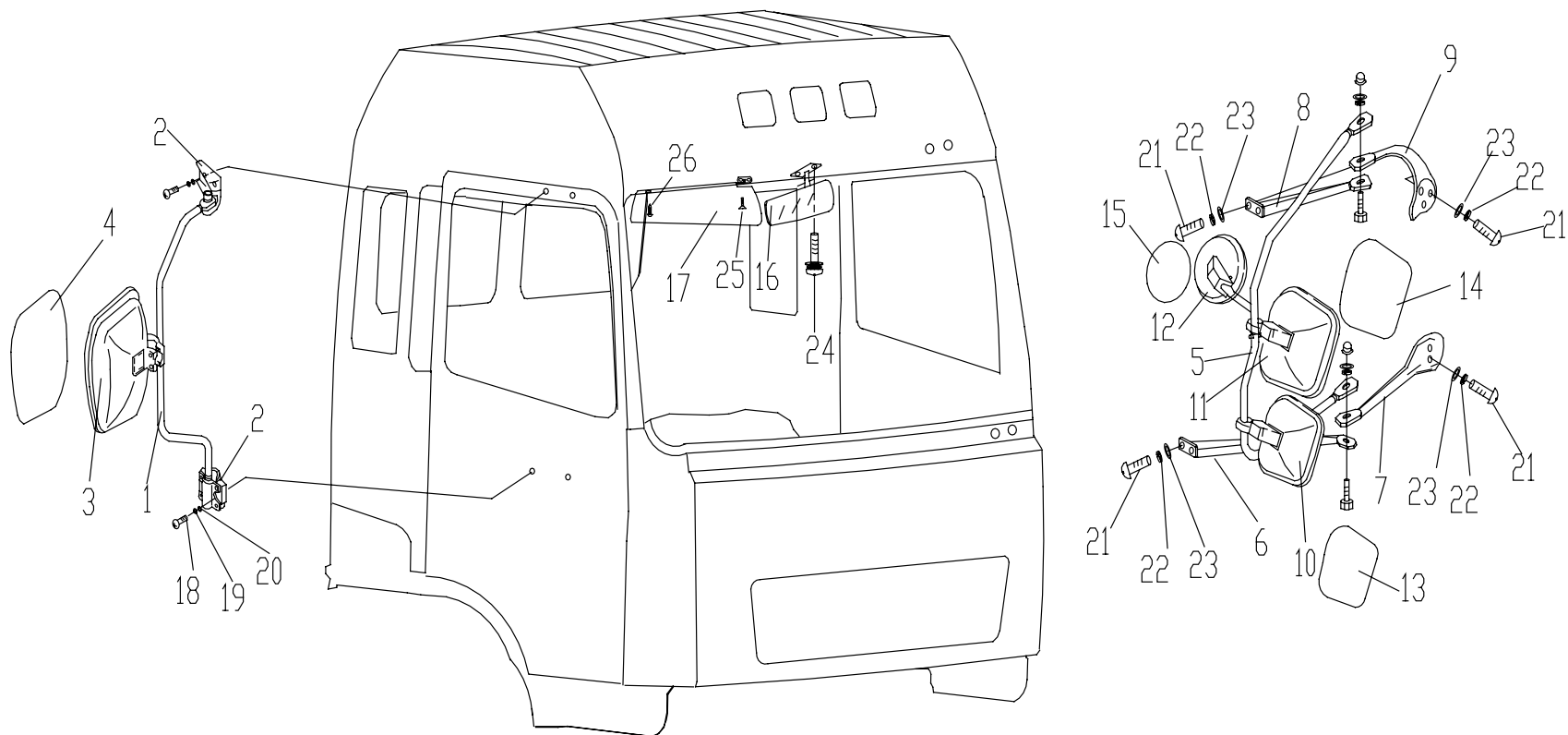
## 附件系统 / ACCESSORY SYSTEM

82-28

| 序号<br>No. | 件号<br>Part No. | 数量<br>Quantity | 名称<br>Name   | 规格<br>Specification | 适用产品<br>Products Applied | 备注<br>Remark |
|-----------|----------------|----------------|--|---------------------|--------------------------|--------------|
| 26        | Q2734816       | 2              | 十字槽大半圆头自攻螺钉<br>Cross Recessed Cup Head Self-Tapping Screw<br>With Large Head |                     |                          |              |

## 后视镜、遮阳板 (右驾系列) / REAR VIEW MIRROR, SUNSHADE (RHD SERIES)

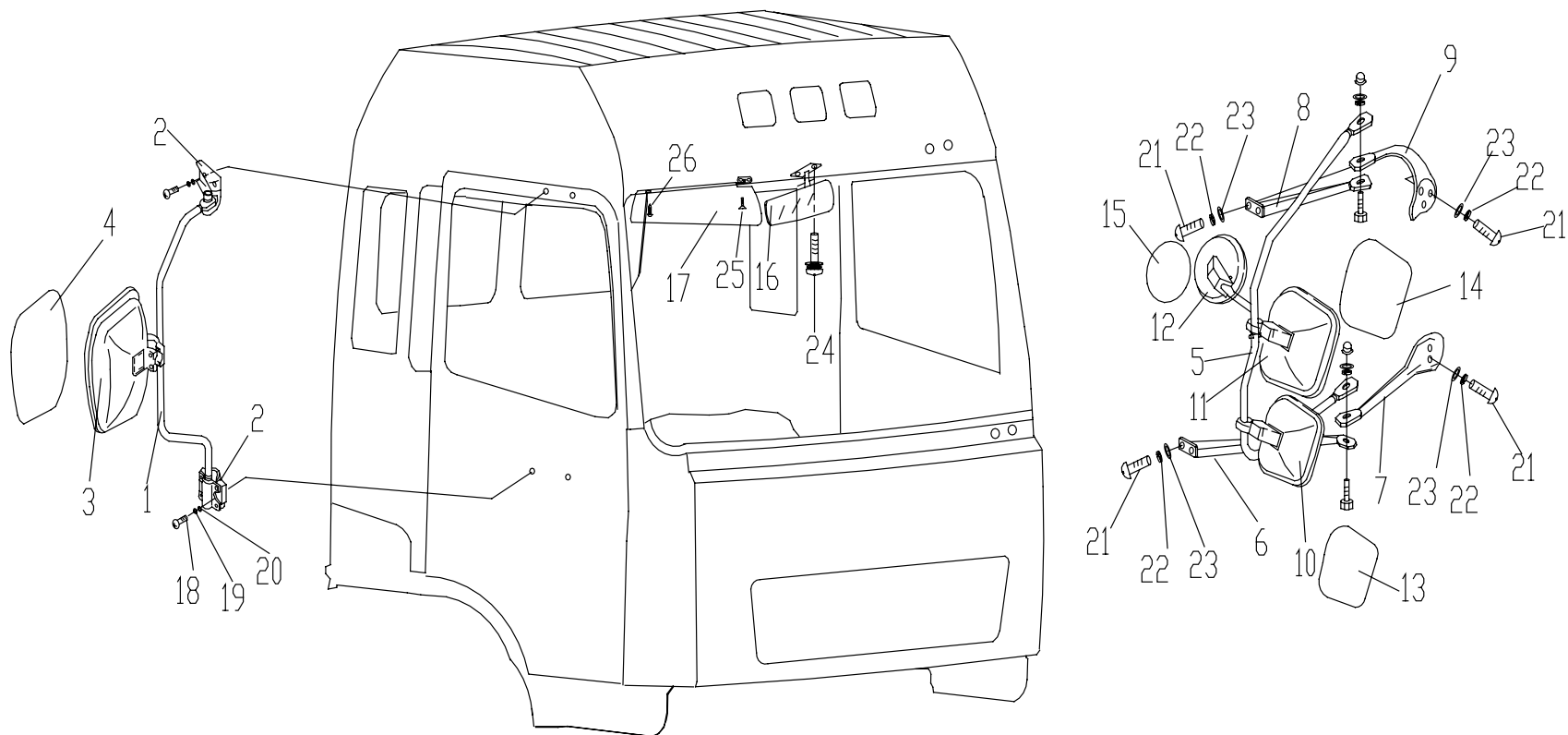
## 82-G



| 序号<br>No. | 件号<br>Part No. | 数量<br>Quantity | 名称<br>Name   | 规格<br>Specification | 适用产品<br>Products Applied | 备注<br>Remark |
|-----------|----------------|----------------|--|---------------------|--------------------------|--------------|
|           | 8202BY-010     | 1              | 左外后视镜总成<br>Outer Rear View Mirror Assembly LH                    |                     | 右驾系列<br>RHD Series       |              |
| 1         | 8202BY-011     | 1              | 左外后视镜支架<br>Outer Rear View Mirror Bracket LH                     |                     | 右驾系列<br>RHD Series       |              |
| 2         | 8202BY-013     | 2              | 左外后视镜铝合金支座<br>Outer Rear View Mirror Aluminium Alloy Pedestal LH |                     | 右驾系列<br>RHD Series       |              |
| 3         | 8202BY-012     | 1              | 左外后视镜镜盖总成<br>Outer Rear View Mirror Cover Assembly LH            |                     | 右驾系列<br>RHD Series       |              |
| 4         | 8202BY-014     | 1              | 左外后视镜镜面<br>Outer Rear View Mirror Face LH                        |                     | 右驾系列<br>RHD Series       |              |
|           | 8202GY-040     | 1              | 右外后视镜总成<br>Outer Rear View Mirror Assembly RH                    |                     | 右驾系列<br>RHD Series       |              |
| 5         | 8202GY-041     | 1              | 右外后视镜支架<br>Outer Rear View Mirror Bracket RH                     |                     | 右驾系列<br>RHD Series       |              |
| 6         | 8202BY-044     | 1              | 左下支架 - 右外后视镜<br>Lower Bracket LH-Outer Rear View Mirror RH       |                     | 右驾系列<br>RHD Series       |              |
| 7         | 8202BY-045     | 1              | 右下支架 - 右外后视镜<br>Lower Bracket RH-Outer Rear View Mirror RH       |                     | 右驾系列<br>RHD Series       |              |
| 8         | 8202BY-042     | 1              | 左上支架 - 右外后视镜<br>Upper Bracket LH-Outer Rear View Mirror RH       |                     | 右驾系列<br>RHD Series       |              |
| 9         | 8202BY-043     | 1              | 右上支架 - 右外后视镜<br>Upper Bracket RH-Outer Rear View Mirror RH       |                     | 右驾系列<br>RHD Series       |              |
| 10        | 8202BY-051     | 1              | 右下后视镜镜盖总成<br>Downwards Rear View Mirror Cover Assembly RH        |                     | 右驾系列<br>RHD Series       |              |
| 11        | 8202BY-052     | 1              | 右外后视镜镜盖总成<br>Outer Rear View Mirror Cover Assembly RH            |                     | 右驾系列<br>RHD Series       |              |
| 12        | 8202BY-053     | 1              | 前下视镜镜盖总成<br>Front Downwards View Mirror Cover Assembly           |                     | 右驾系列<br>RHD Series       |              |

## 后视镜、遮阳板 (右驾系列) / REAR VIEW MIRROR, SUNSHADE (RHD SERIES)

## 82-G





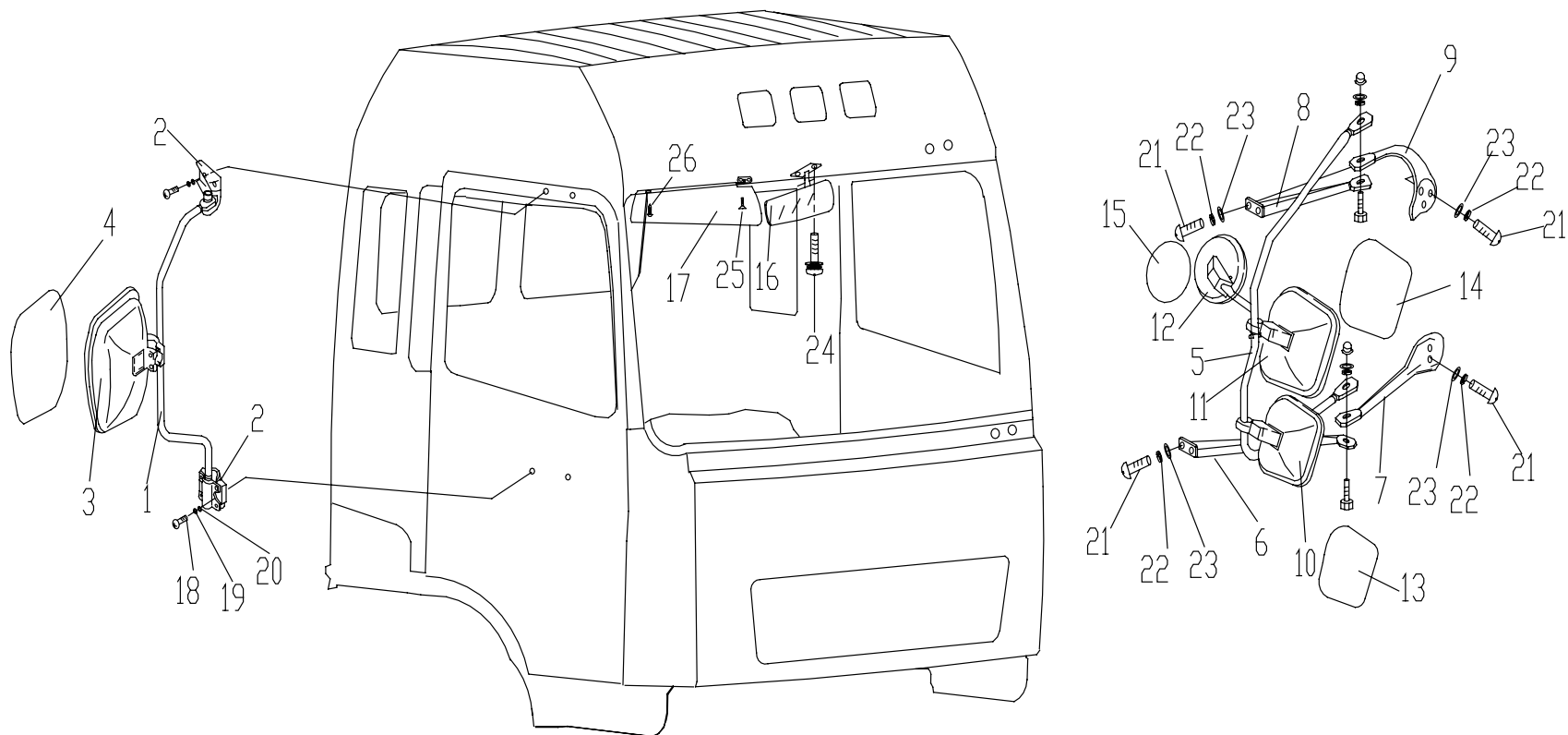
## 附件系统 / ACCESSORY SYSTEM

82-32

| 序号<br>No. | 件号<br>Part No. | 数量<br>Quantity | 名称<br>Name   | 规格<br>Specification | 适用产品<br>Products Applied | 备注<br>Remark |
|-----------|----------------|----------------|--|---------------------|--------------------------|--------------|
| 13        | 8202BY-054     | 1              | 右下后视镜镜面<br>Downwards Rear View Mirror Face RH                  |                     | 右驾系列<br>RHD Series       |              |
| 14        | 8202BY-055     | 1              | 右外后视镜镜面<br>Outer Rear View Mirror Face RH                      |                     | 右驾系列<br>RHD Series       |              |
| 15        | 8202BY-056     | 1              | 前下视镜镜面<br>Front Downwards View Mirror Face                     |                     | 右驾系列<br>RHD Series       |              |
| 16        | 8201B-010      | 1              | 内后视镜总成<br>Inner Rear View Mirror Assembly                      |                     |                          |              |
| 17        | 8204B-010      | 1              | 左遮阳板总成<br>Sunshade Assembly LH                                 |                     |                          |              |
|           | 8204B-040      | 1              | 右遮阳板总成<br>Sunshade Assembly RH                                 |                     |                          |              |
| 18        | Q174B0620      | 4              | 六角头头部带十字槽螺栓<br>Hexagon Head Bolt W/ Cross Recessed Head        |                     |                          |              |
| 19        | Q40306         | 4              | 弹簧垫圈<br>Spring Washer  |                     |                          |              |
| 20        | Q40106         | 4              | 平垫圈<br>Plate Washer  |                     |                          |              |
| 21        | Q2140830       | 9              | 十字槽盘头螺钉<br>Cross Recessed Pan Head Screw                       |                     |                          |              |
| 22        | Q40308         | 9              | 弹簧垫圈<br>Spring Washer  |                     |                          |              |
| 23        | Q40108         | 9              | 平垫圈<br>Plate Washer  |                     |                          |              |
| 24        | Q2360616       | 2              | 十字槽平垫组合螺栓<br>Cross Recessed Combination Bolt With Plate Washer |                     |                          |              |
| 25        | Q2540635       | 4              | 十字槽沉头螺钉<br>Cross Recessed Countersunk Head Screw               |                     |                          |              |

## 后视镜、遮阳板 (右驾系列) / REAR VIEW MIRROR, SUNSHADE (RHD SERIES)

## 82-G



## 附件系统 / ACCESSORY SYSTEM

82-34

| 序号<br>No. | 件号<br>Part No. | 数量<br>Quantity | 名称<br>Name   | 规格<br>Specification | 适用产品<br>Products Applied | 备注<br>Remark |
|-----------|----------------|----------------|--|---------------------|--------------------------|--------------|
| 26        | Q2734816       | 2              | 十字槽大半圆头自攻螺钉<br>Cross Recessed Cup Head Self-Tapping Screw<br>With Large Head |                     |                          |              |

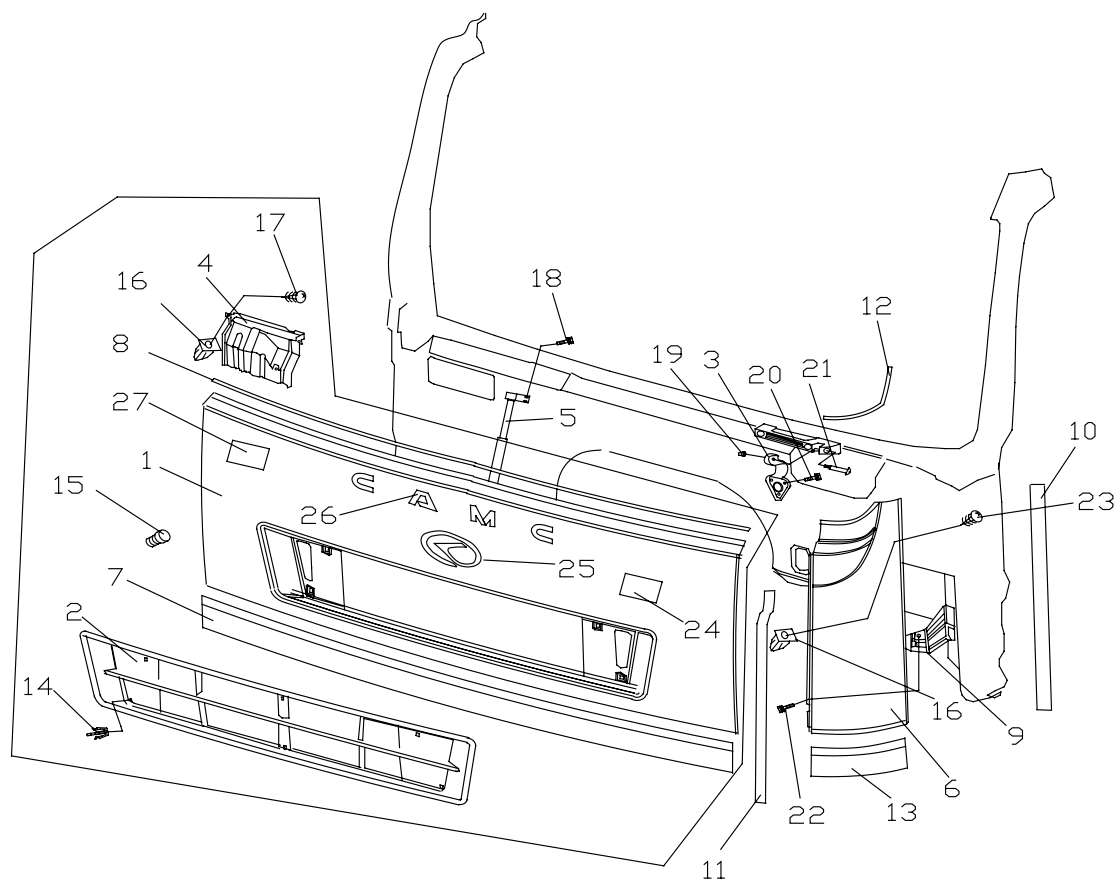


84

**前盖板组件**  
**FRONT COVER**  
**PANEL SET**

## 前盖板 / FRONT COVER PANEL

84-A



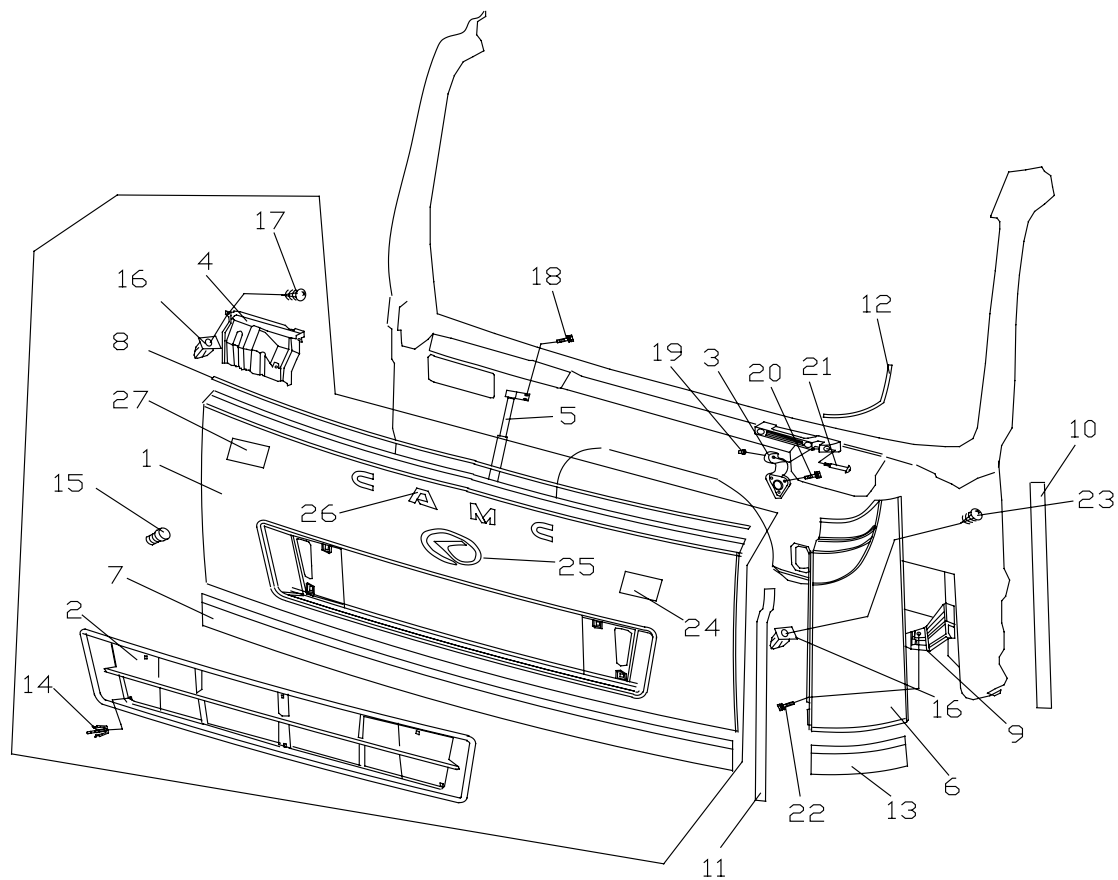
## 前盖板组件 / FRONT COVER PANEL SET

84-2

| 序号<br>No. | 件号<br>Part No. | 数量<br>Quantity | 名称<br>Name  | 规格<br>Specification | 适用产品<br>Products Applied | 备注<br>Remark |
|-----------|----------------|----------------|---|---------------------|--------------------------|--------------|
|           | 84A1-01009     | 1              | 前盖板总成<br>Front Cover Panel Assembly                         |                     |                          |              |
| 1         | 84A1-01010     | 1              | 前盖板焊接总成<br>Front Cover Panel Welding Assembly               |                     |                          |              |
| 2         | 84A1-01315     | 1              | 前面罩<br>Front Grille   |                     |                          |              |
| 3         | 84A1-01307     | 2              | 前盖板铰链<br>Front Cover Panel Hinge                            |                     |                          |              |
|           | 84E-01307      | 2              | 前盖板铰链<br>Front Cover Panel Hinge                            |                     | 欧款系列<br>Europe Series    |              |
| 4         | 84A-01325      | 1              | 隔热护板总成<br>Insulator Shield Assembly                         |                     |                          |              |
|           | 84AY-01325     | 1              | 隔热护板总成<br>Insulator Shield Assembly                         |                     | 右驾系列<br>RHD Series       |              |
|           | 84E-01325      | 1              | 隔热护板总成<br>Insulator Shield Assembly                         |                     | 欧款系列<br>Europe Series    |              |
| 5         | 84A1-01370     | 2              | 气弹簧撑杆总成<br>Air Spring Stay Rod Assembly                     |                     |                          |              |
|           | 84E-01370      | 2              | 气弹簧撑杆总成<br>Air Spring Stay Rod Assembly                     |                     | 欧款系列<br>Europe Series    |              |
| 6         | 53B1-01369     | 1              | 左侧外板总成<br>Outer Panel Assembly LH                           |                     |                          |              |
|           | 53B1-01370     | 1              | 右侧外板总成<br>Outer Panel Assembly RH                           |                     |                          |              |
| 7         | 84A-01331      | 1              | 防尘条 - 外盖板<br>Dustproof Molding-Outer Cover Panel            |                     |                          |              |
| 8         | 53A-01375      | 1              | 前盖板上密封条总成<br>Front Cover Panel Upper Weather Strip Assembly |                     |                          |              |

## 前盖板 / FRONT COVER PANEL

84-A





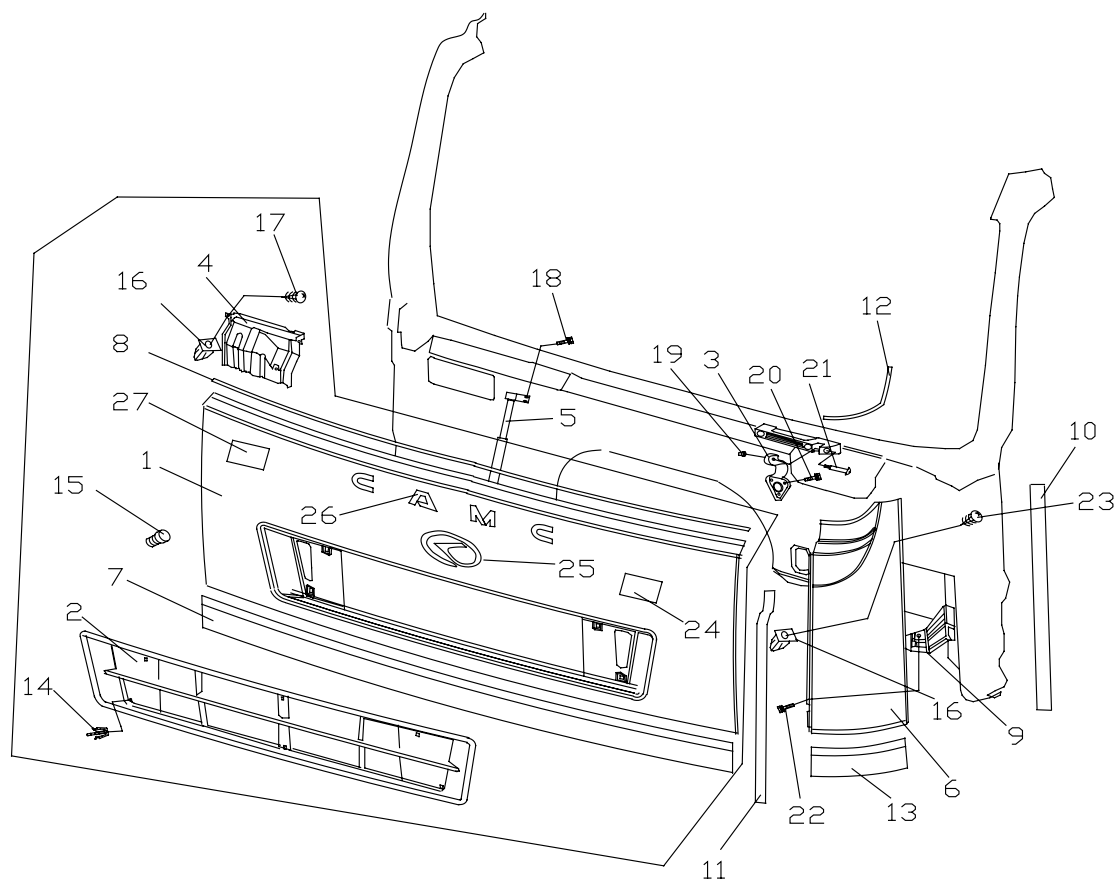
## 前盖板组件 / FRONT COVER PANEL SET

84-4

| 序号<br>No. | 件号<br>Part No. | 数量<br>Quantity | 名称<br>Name   | 规格<br>Specification | 适用产品<br>Products Applied | 备注<br>Remark |
|-----------|----------------|----------------|--|---------------------|--------------------------|--------------|
| 9         | 53A-01353      | 1              | 下支架总成—左外侧板<br>Lower Bracket Assembly-Outer Side Panel LH                               |                     |                          |              |
|           | 53A-01355      | 1              | 下支架总成—右外侧板<br>Lower Bracket Assembly-Outer Side Panel RH                               |                     |                          |              |
| 10        | 61B-07065      | 1              | 左门框下密封条总成<br>Frame Lower Weather Strip Assembly LH                                     |                     |                          |              |
|           | 61B-07066      | 1              | 右门框下密封条总成<br>Frame Lower Weather Strip Assembly RH                                     |                     |                          |              |
| 11        | 53A-01382      | 1              | 前盖板侧密封条总成<br>Front Cover Panel Side Weather Strip Assembly                             |                     |                          |              |
| 12        | 53B1-01373     | 1              | 左外侧板上密封条<br>Outer Side Panel Upper Weather Strip LH                                    |                     |                          |              |
|           | 53B1-01376     | 1              | 右外侧板上密封条<br>Outer Side Panel Upper Weather Strip RH                                    |                     |                          |              |
| 13        | 84A-01332      | 2              | 防尘条—外侧板<br>Dustproof Molding-Outer Side Panel  |                     |                          |              |
| 14        | 84A-01053      | 1              | W形塑料卡扣<br>W-Plastic Buckle   |                     |                          |              |
| 15        | 84A-01361      | 2              | 橡胶缓冲垫—前盖板<br>Rubber Cushion-Front Cover Panel  |                     |                          |              |
| 16        | 54B-02018      | 9              | 方型塑料螺母 A<br>Square Plastic Nut A   |                     |                          |              |
| 17        | Q2734816       | 6              | 十字槽大半圆头自攻螺钉—C型<br>Cross Recessed Cup Head Self-Tapping Screw<br>With Large Head-C Type |                     |                          |              |
| 18        | Q1460820       | 8              | 六角头组合螺栓<br>Hexagon Head Combination Bolt   |                     |                          |              |
| 19        | 82B-07032      | 2              | 铰链塑料轴套<br>Hinge Plastic Bush   |                     |                          |              |

## 前盖板 / FRONT COVER PANEL

84-A



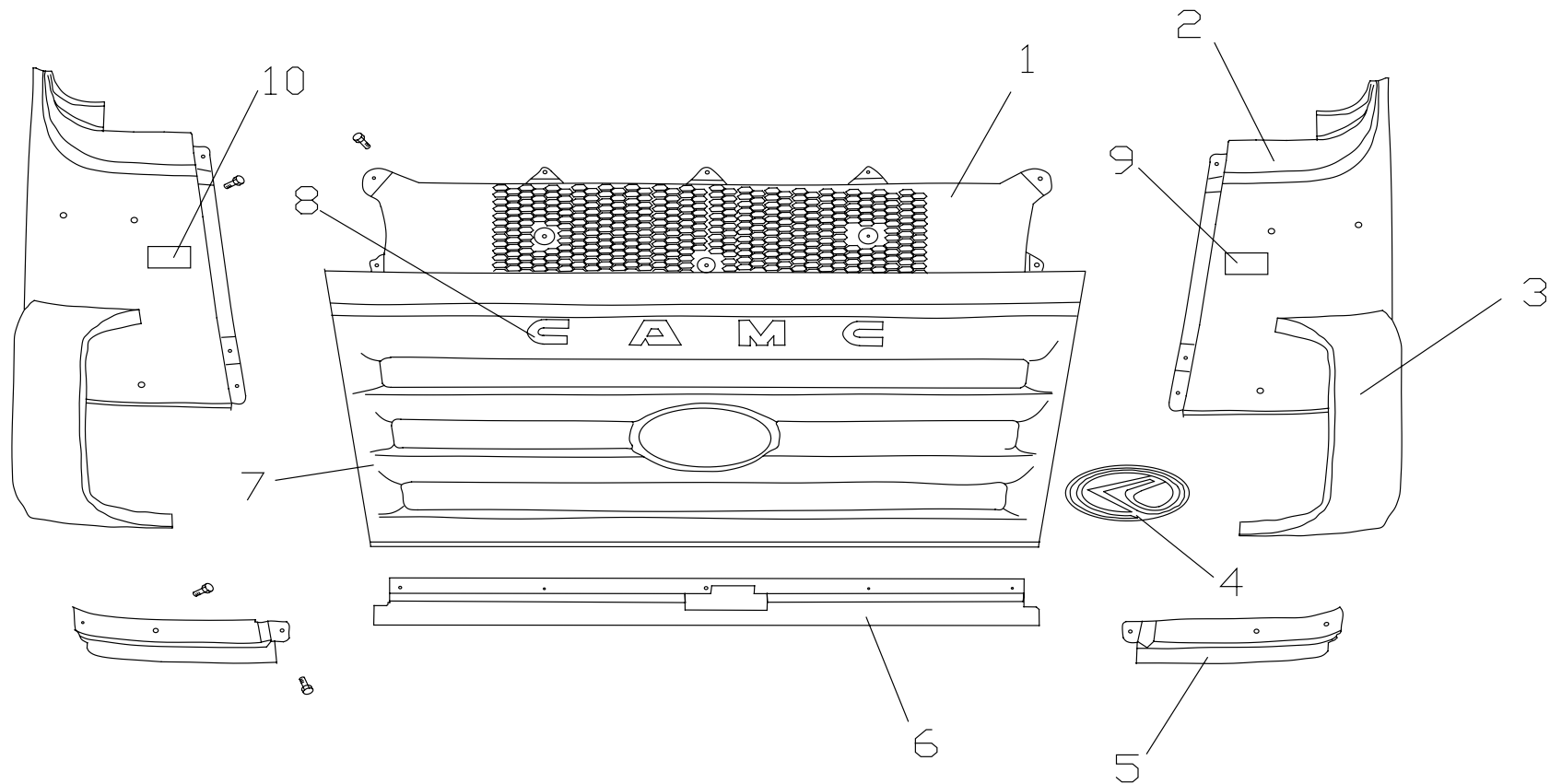
## 前盖板组件 / FRONT COVER PANEL SET

84-6

| 序号<br>No. | 件号<br>Part No. | 数量<br>Quantity | 名称<br>Name   | 规格<br>Specification | 适用产品<br>Products Applied | 备注<br>Remark |
|-----------|----------------|----------------|--|---------------------|--------------------------|--------------|
| 20        | Q1460820       | 6              | 六角头组合螺栓<br>Hexagon Head Combination Bolt   |                     |                          |              |
| 21        | 82B-07029      | 2              | 螺钉 - 销轴<br>Screw-Axis Pin  |                     |                          |              |
| 22        | Q1460820       | 4              | 六角头组合螺栓<br>Hexagon Head Combination Bolt   |                     |                          |              |
| 23        | Q2735516       | 6              | 十字槽大半圆头自攻螺钉 -C 型<br>Cross Recessed Cup Head Self-Tapping Screw<br>With Large Head-C Type |                     |                          |              |
| 24        | 84A-06025      | 1              | “华菱” 字样<br>“Hua Ling” Sample   |                     |                          |              |
| 25        | 84A-06011      | 1              | 华菱标徽<br>Hua Ling Symbol  |                     |                          |              |
| 26        | 84A-06021      | 1              | CAMC 标牌<br>CAMC Emblem   |                     |                          |              |
| 27        |                | 1              | 动力标牌<br>Power Emblem   |                     |                          |              |

欧款前围外饰件  
FRONT-WALL EXTERIOR TRIMMING PARTS FOR EUROPE MODEL

84-B

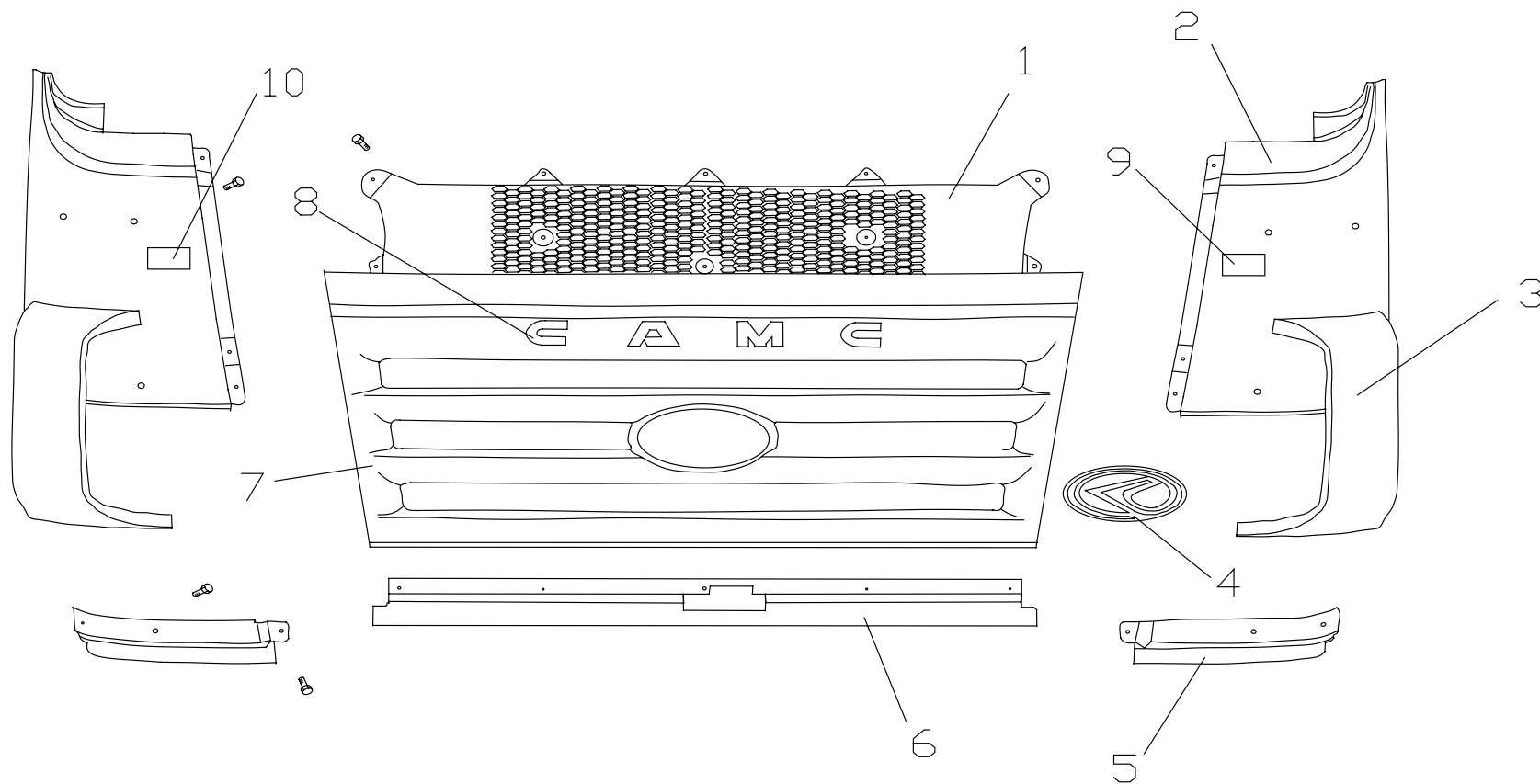


## 前盖板组件 / FRONT COVER PANEL SET

84-8

| 序号<br>No. | 件号<br>Part No. | 数量<br>Quantity | 名称<br>Name  | 规格<br>Specification | 适用产品<br>Products Applied | 备注<br>Remark |
|-----------|----------------|----------------|---|---------------------|--------------------------|--------------|
| 1         | 84E-01015      | 1              | 前盖板隔栅<br>Front Cover Panel Grille   |                     | 欧款系列<br>Europe Series    |              |
|           | Q1840616       | 17             | 六角法兰面螺母<br>Hexagon Nut With Flange  |                     |                          |              |
| 2         | 53E-01371      | 1              | 左外侧板<br>Outer Side Panel LH   |                     | 欧款系列<br>Europe Series    |              |
|           | 53E-01372      | 1              | 右外侧板<br>Outer Side Panel RH   |                     | 欧款系列<br>Europe Series    |              |
|           | 52B-02018      | 6              | 方型塑料螺母<br>Square Plastic Nut  |                     |                          |              |
|           | Q1460620       | 4              | 六角头平弹垫组合螺栓<br>Hexagon Head Combination Bolt With Spring And<br>Plate Washer |                     |                          |              |
|           | Q2735516       | 6              | 十字槽盘头自攻螺钉—C型<br>Cross Recessed Pan Head Self-Tapping Screw-C<br>Type        |                     |                          |              |
| 3         | 53E-01391      | 1              | 左外侧板扰流板<br>Outer Side Panel Spoiler LH                                      |                     | 欧款系列<br>Europe Series    |              |
|           | 53E-01396      | 1              | 右外侧板扰流板<br>Outer Side Panel Spoiler RH                                      |                     | 欧款系列<br>Europe Series    |              |
|           | Q1840616       | 4              | 六角法兰面螺母<br>Hexagon Nut With Flange  |                     |                          |              |
| 4         | 84E-06011      | 1              | 华菱标徽<br>Hua Ling Symbol   |                     | 欧款系列<br>Europe Series    |              |
| 5         | 53E-01387      | 1              | 左外侧板防尘条<br>Outer Side Panel Dustproof Molding LH                            |                     | 欧款系列<br>Europe Series    |              |
|           | 53E-01388      | 1              | 右外侧板防尘条<br>Outer Side Panel Dustproof Molding RH                            |                     | 欧款系列<br>Europe Series    |              |
| 6         | 84E-01015      | 1              | 前盖板防尘条<br>Front Cover Panel Dustproof Molding                               |                     | 欧款系列<br>Europe Series    |              |

# 欧款前围外饰件 FRONT-WALL EXTERIOR TRIMMING PARTS FOR EUROPE MODEL

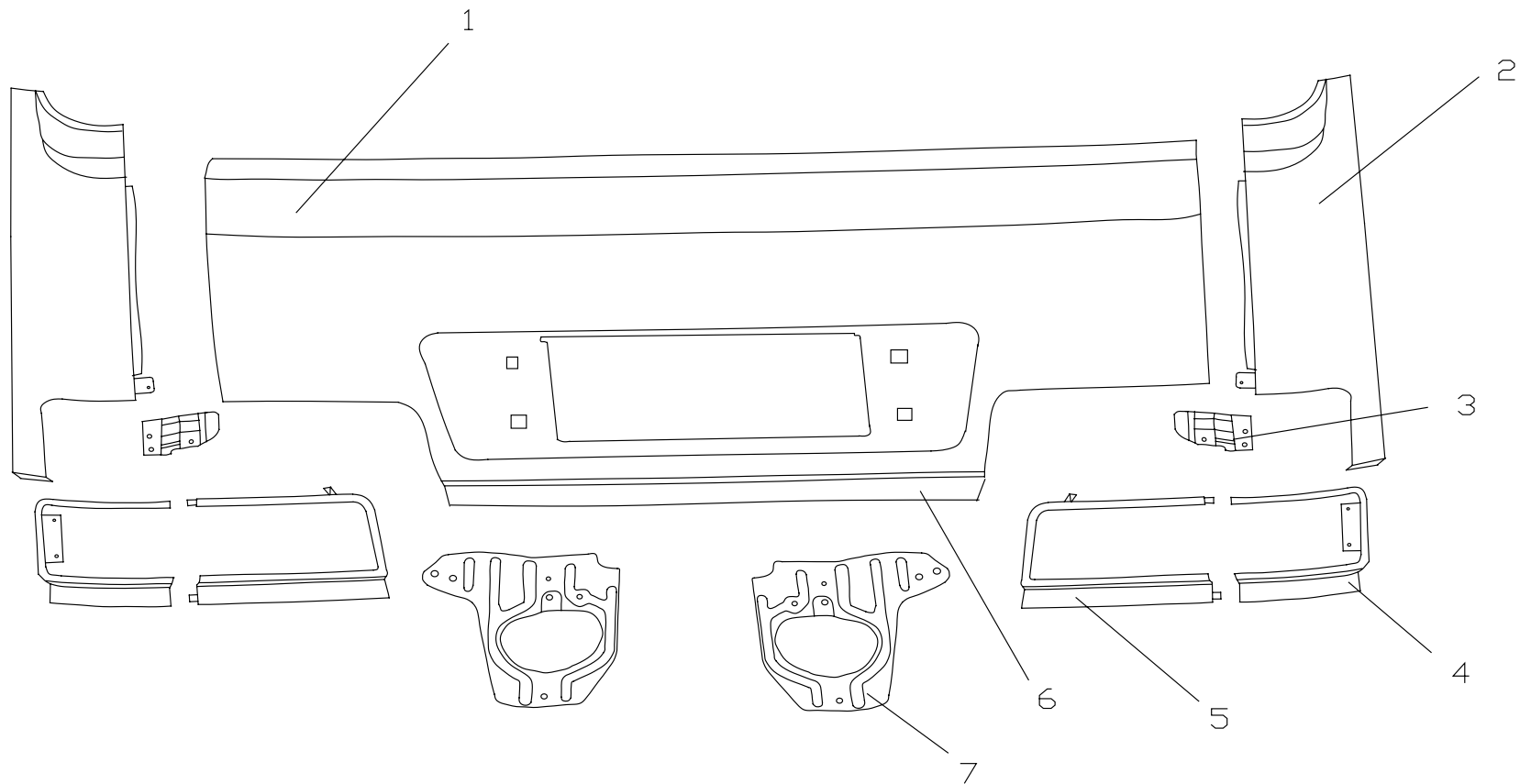
**84-B**

## 前盖板组件 / FRONT COVER PANEL SET

84-10

| 序号<br>No. | 件号<br>Part No. | 数量<br>Quantity | 名称<br>Name                   | 规格<br>Specification | 适用产品<br>Products Applied | 备注<br>Remark |
|-----------|----------------|----------------|------------------------------|---------------------|--------------------------|--------------|
| 7         | 84E-01010      | 1              | 前盖板<br>Front Cover Panel     |                     | 欧款系列<br>Europe Series    |              |
| 8         | 84E-06021      | 1              | CAMC 标牌<br>CAMC Emblem       |                     | 欧款系列<br>Europe Series    |              |
| 9         | 84E-06025      | 1              | “华菱” 字样<br>“Hua Ling” Sample |                     | 欧款系列<br>Europe Series    |              |
| 10        |                | 1              | 动力标牌<br>Power Emblem         |                     |                          |              |

# 窄体前围外饰件 FRONT-WALL EXTERIOR TRIMMING PARTS FOR NARROW CAB MODEL

**84-C**



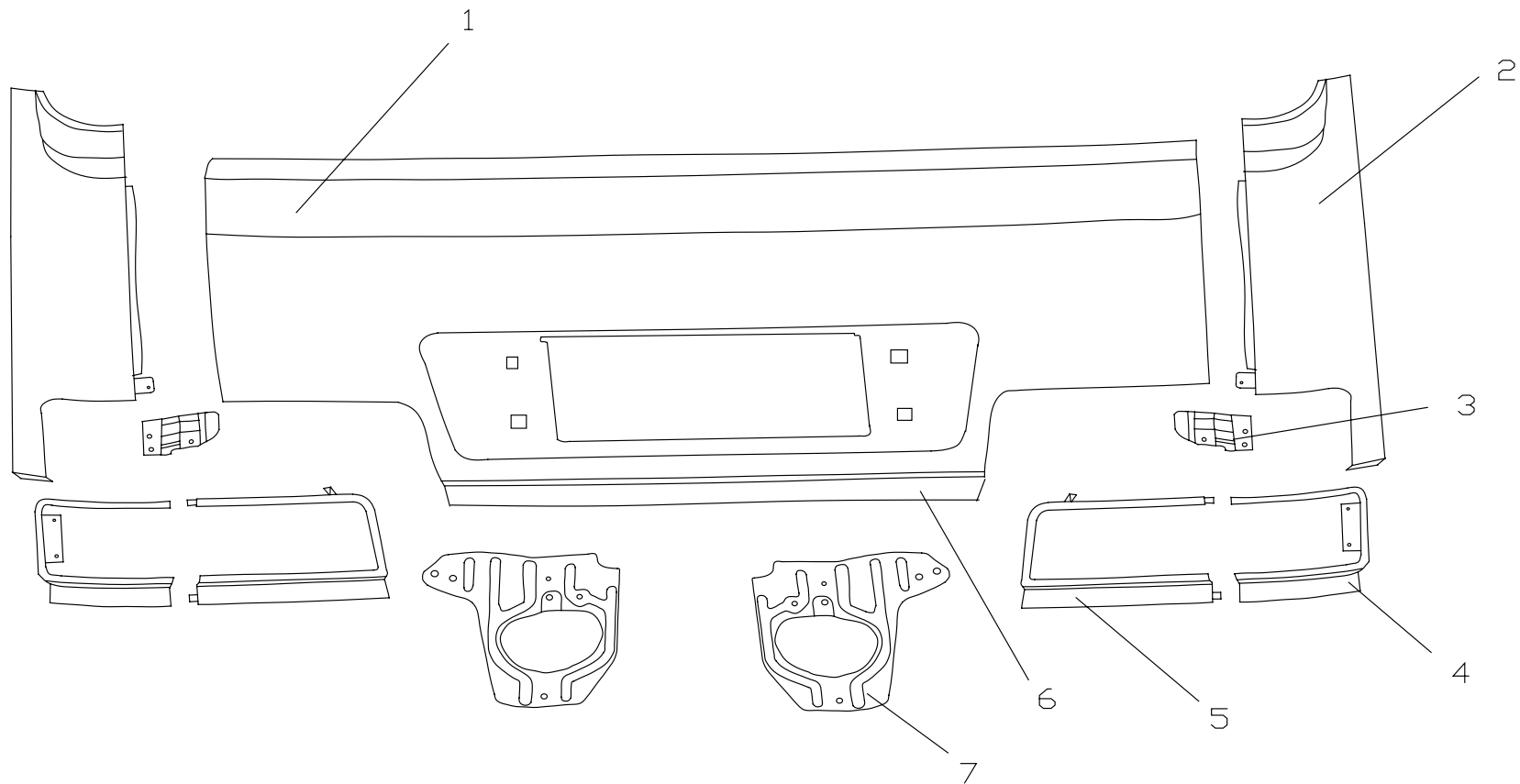
## 前盖板组件 / FRONT COVER PANEL SET

84-12

| 序号<br>No. | 件号<br>Part No. | 数量<br>Quantity | 名称<br>Name   | 规格<br>Specification | 适用产品<br>Products Applied  | 备注<br>Remark |
|-----------|----------------|----------------|--|---------------------|---------------------------|--------------|
| 1         | 84A15-01009    | 1              | 前盖板总成<br>Front Cover Panel Assembly                                      |                     | 窄体系列<br>Narrow-Cab Series |              |
| 2         | 53B15-01369    | 1              | 左外侧板总成<br>Outer Side Panel Assembly LH                                   |                     | 窄体系列<br>Narrow-Cab Series |              |
|           | 53B15-01370    | 1              | 右外侧板总成<br>Outer Side Panel Assembly RH                                   |                     | 窄体系列<br>Narrow-Cab Series |              |
|           | 52B-02018      | 6              | 方型塑料螺母 A<br>Square Plastic Nut A   |                     |                           |              |
|           | Q1460620       | 4              | 六角头平弹垫组合螺栓<br>Hexagon Head Combination Bolt With Spring And Plate Washer |                     |                           |              |
|           | Q2735516       | 6              | 十字槽盘头自攻螺钉 -C 型<br>Cross Recessed Pan Head Self-Tapping Screw-C Type      |                     |                           |              |
| 3         | 53A15-01354    | 1              | 下支架-左外侧板<br>Lower Bracket-Outer Side Panel LH                            |                     | 窄体系列<br>Narrow-Cab Series |              |
|           | 53A15-01356    | 1              | 下支架-右外侧板<br>Lower Bracket-Outer Side Panel RH                            |                     | 窄体系列<br>Narrow-Cab Series |              |
|           | Q1460830       | 4              | 六角头平弹垫组合螺栓<br>Hexagon Head Combination Bolt With Spring And Plate Washer |                     |                           |              |
| 4         | 53A5-03217     | 1              | 左外侧大灯罩<br>Headlamp Door LH   |                     | 窄体系列<br>Narrow-Cab Series |              |
|           | 53A5-03218     | 1              | 右外侧大灯罩<br>Headlamp Door RH   |                     | 窄体系列<br>Narrow-Cab Series |              |
| 5         | 53A5-03215     | 1              | 左内侧大灯罩<br>Headlamp Door LH   |                     | 窄体系列<br>Narrow-Cab Series |              |
|           | 53A5-03216     | 1              | 右内侧大灯罩<br>Headlamp Door RH   |                     | 窄体系列<br>Narrow-Cab Series |              |
|           | 28A5-03225     | 1              | 卡扣<br>Buckle   |                     | 窄体系列<br>Narrow-Cab Series |              |

窄体前围外饰件  
FRONT-WALL EXTERIOR TRIMMING PARTS FOR NARROW CAB MODEL

84-C



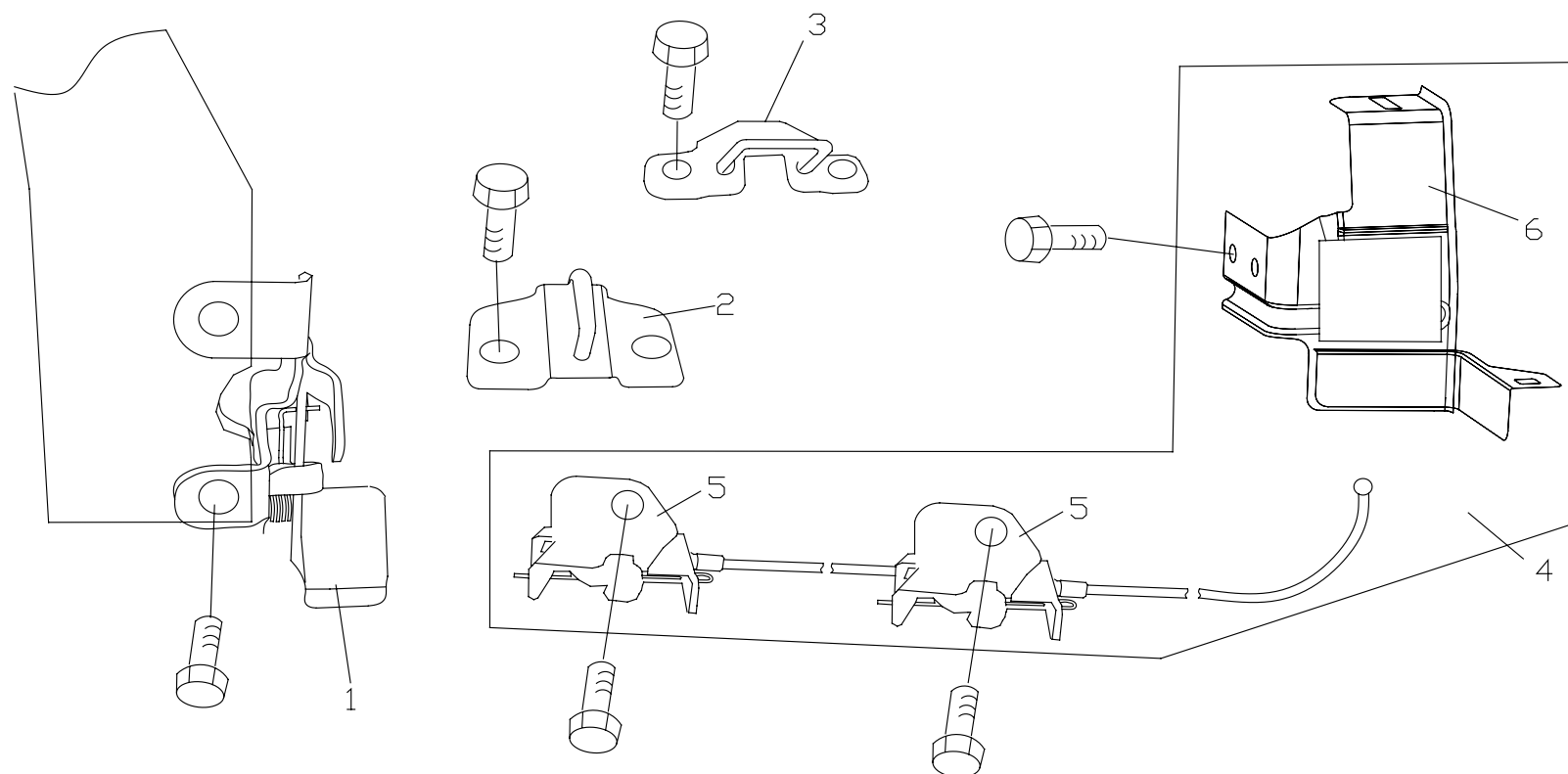
## 前盖板组件 / FRONT COVER PANEL SET

84-14

| 序号<br>No. | 件号<br>Part No. | 数量<br>Quantity | 名称<br>Name   | 规格<br>Specification | 适用产品<br>Products Applied  | 备注<br>Remark |
|-----------|----------------|----------------|--|---------------------|---------------------------|--------------|
| 5         | Q2734812       | 6              | 十字槽大半圆头自攻螺钉<br>Cross Recessed Cup Head Self-Tapping Screw<br>With Large Head |                     |                           |              |
| 6         | 84A5-01331     | 1              | 防尘条-前盖板<br>Dustproof Molding-Front Cover Panel                               |                     | 窄体系列<br>Narrow-Cab Series |              |
| 7         | 53A15-01361/2  | 1              | 左 / 右大灯安装板总成<br>Headlamp Mounting Panel Assembly LH/RH                       |                     | 窄体系列<br>Narrow-Cab Series |              |
|           | Q32008         | 6              | 六角法兰面螺母<br>Hexagon Nut With Flange   |                     |                           |              |

## 盖板操纵机构 / COVER PANEL CONTROL MECHANISM

84-D



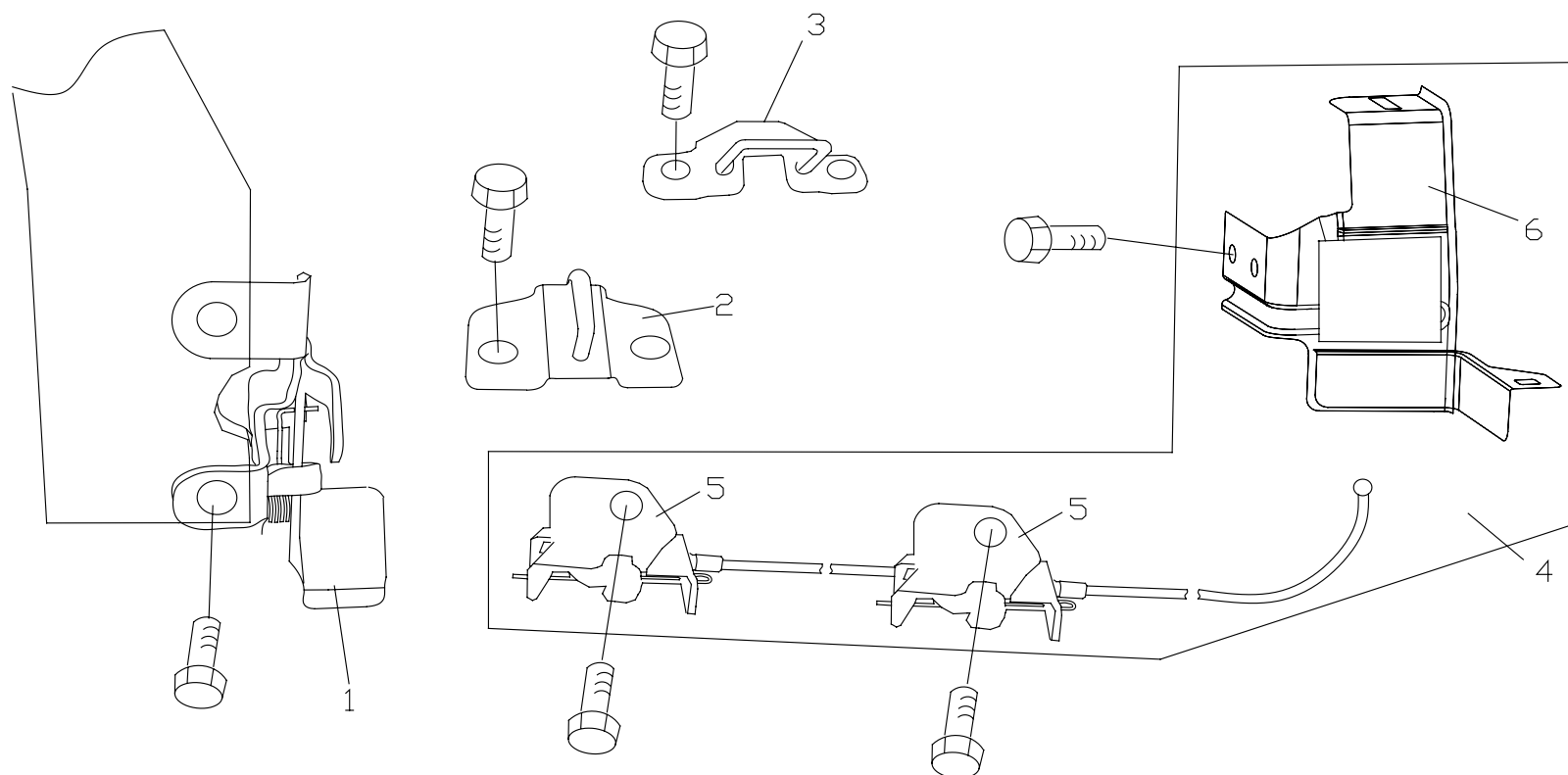
## 前盖板组件 / FRONT COVER PANEL SET

84-16

| 序号<br>No. | 件号<br>Part No. | 数量<br>Quantity | 名称<br>Name   | 规格<br>Specification | 适用产品<br>Products Applied | 备注<br>Remark |
|-----------|----------------|----------------|--|---------------------|--------------------------|--------------|
| 1         | 84A-01359      | 1              | 保险锁体总成<br>Security Lock Assembly                                     |                     |                          |              |
|           | Q1460616       | 2              | 六角头组合螺栓<br>Hexagon Head Combination Bolt                             |                     |                          |              |
| 2         | 84A-01355      | 2              | 盖板锁扣总成<br>Cover Panel Buckle Assembly                                |                     |                          |              |
|           | Q1460816       | 4              | 六角头组合螺栓<br>Hexagon Head Combination Bolt                             |                     |                          |              |
| 3         | 84A-01358      | 1              | 安全钩锁扣总成<br>Safety Hook Buckle Assembly                               |                     |                          |              |
|           | Q1460616       | 2              | 六角头组合螺栓<br>Hexagon Head Combination Bolt                             |                     |                          |              |
| 4         | 84A-01340      | 1              | 前盖板锁及操纵机构总成<br>Front Cover Panel Lock and Control Mechanism Assembly |                     |                          |              |
|           | 84AY-01340     | 1              | 前盖板锁及操纵机构总成<br>Front Cover Panel Lock and Control Mechanism Assembly |                     | 右驾系列<br>RHD Series       |              |
|           | 37AD-33002     | 2              | 塑料线卡<br>Plastic Wire Snap Ring                                       |                     |                          |              |
|           | 37AD-34041     | 1              | 扎带<br>Band   |                     |                          |              |
| 5         | 84A-01356      | 2              | 盖板锁体总成<br>Cover Panel Lock Body Assembly                             |                     |                          |              |
|           | 84AY-01359     | 2              | 盖板锁体总成<br>Cover Panel Lock Body Assembly                             |                     | 右驾系列<br>RHD Series       |              |
|           | Q1460820       | 2              | 六角头组合螺栓<br>Hexagon Head Combination Bolt                             |                     |                          |              |
| 6         | 84A-01345      | 1              | 盖板操纵手柄总成<br>Cover Panel Control Handle Assembly                      |                     |                          |              |

## 盖板操纵机构 / COVER PANEL CONTROL MECHANISM

84-D



## 前盖板组件 / FRONT COVER PANEL SET

84-18

| 序号<br>No. | 件号<br>Part No. | 数量<br>Quantity | 名称<br>Name                               | 规格<br>Specification | 适用产品<br>Products Applied | 备注<br>Remark |
|-----------|----------------|----------------|--|---------------------|--------------------------|--------------|
| 6         | Q1460616       | 2              | 六角头组合螺栓<br>Hexagon Head Combination Bolt |                     |                          |              |

