



ZL30G

WHEEL LOADER

PARTS LIST

轮式装载机零件目录



徐工集团徐州装载机厂
XUZHOU LOADING MACHINERY FACTORY, XCMG

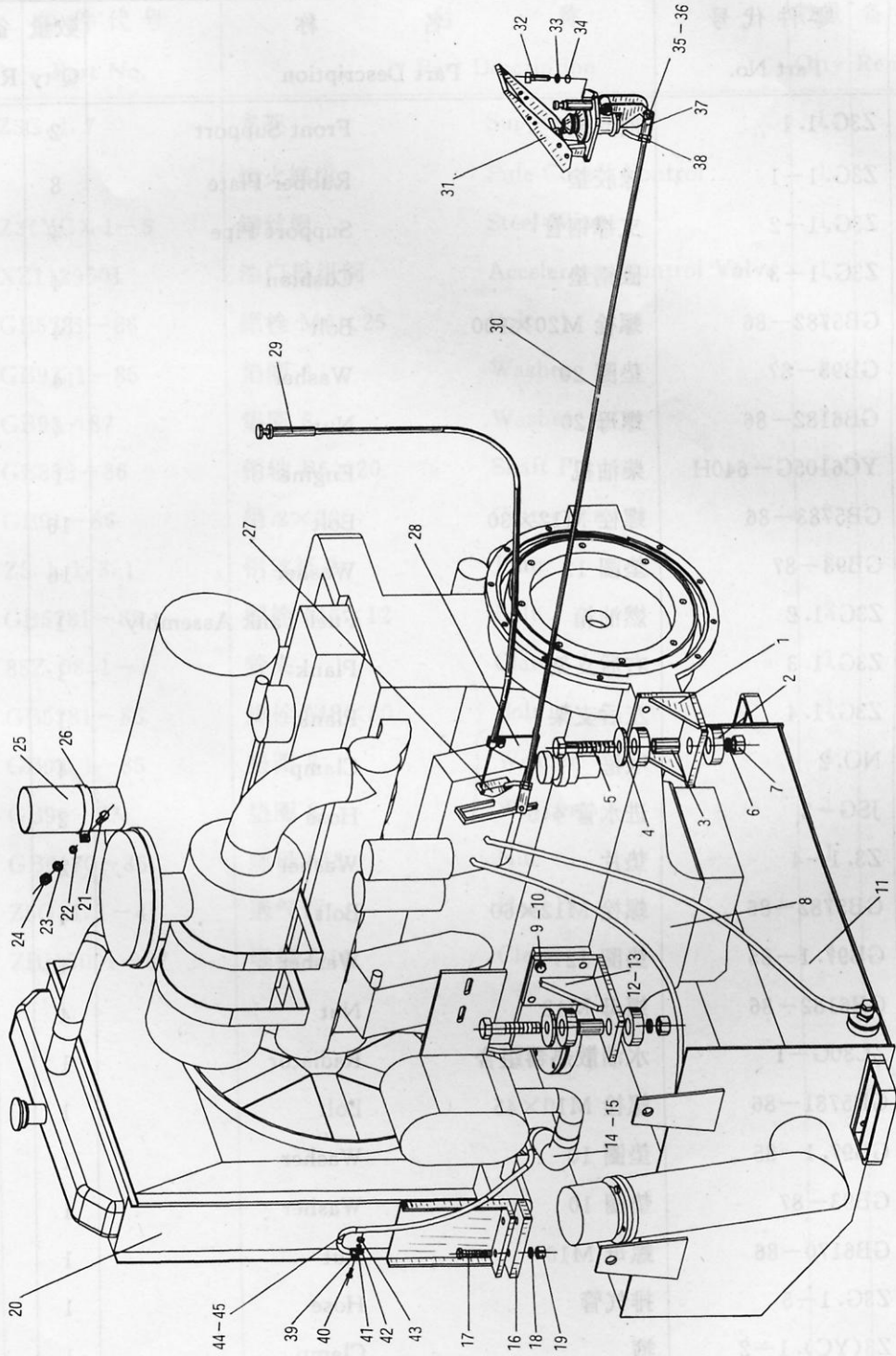
目 录

CONTENTS

1. Z3G. 1	柴油机系统 Engine System	1
2. Z3G. 1. 2	柴油箱总成 Fuel Tank Assembly	4
3. Z3G. 2	驱动桥总成 Driving Axle Assembly	6
4. Z3. 2. 00	主减速器总成 Main Reductor Assembly	8
5. Z3. 2. 00	轮边减速器总成 Planetary Reductor Assembly	10
6. Z3. 2. 00	制动器总成 Disk Brake	12
7. Z3G. 3A	传动液压系统 Transmission Hydraulic System	14
8. Z3. 3. 00	变矩器总成 Torque Converter	16
9. Z3. 3. 00	减压阀总成 Reducing Valve Assembly	20
10. Z3G. 4. 1	前传动轴 Front Drive Shaft	22
11. Z3G. 4. 2	后传动轴 Rear Drive Shaft	24
12. Z3G. 4. 3	主传动轴 Main Driving Shaft	26
13. Z3. 6. 00	变速箱箱体部件 Transmission Assembly	29
14. Z3. 6. 1	变速箱输入轴总成 Input Shaft Assembly	33
15. Z3. 6. 2	变速箱倒档轴总成 Reverse Shaft Assembly	35
16. Z3. 6. 3	变速箱中间轴总成 Medium Shaft Assembly	37
17. Z3. 6. 4	变速箱输出轴总成 Output Shaft Assembly	39
18. Z3. 6. 4. 1	变速箱手制动总成 Parking Brake Assembly	41
19. Z3. 6. 6	变速箱操纵阀总成 Transmission Control Valve Assembly	43
20. Z3. 6. 9	变速箱高低档拨叉机构 Yoke Assembly	45
21. Z3G. 7A	变速操纵 Transmission Propulsion	47
22. Z3G. 7. 1A	上部机构 Upper Mechanism	49
23. Z3G. 7. 2	联接杆 Link Rod	51
24. Z3G. 7. 3	连杆机构 Link Mechanism	53
25. Z3G. 7A	高低速操纵 Shift Control	55

26. Z3G. 8	前车架总成	Front Chassis Assembly	57
27. Z3G. 8	后车架总成	Rear Chassis Assembly	59
28. Z3G. 9A	转向液压系统	Steering System	62
29. Z3G. 9. 1	左转向油缸	Left Steering Cylinder	65
30. Z3. 9. 00	单稳阀	Valve	67
31. Z3G. 10A	工作液压系统	Working Hydraulic System	69
32. Z3G. 10. 20	工作操纵杆系	Working Propulsion Linkage System	72
33. Z3. 10. 00	分配阀总成	Control Valve Assembly	74
34. Z3G. 10. 1	转斗油缸	Tilt Cylinder	77
35. Z3G. 10. 2	左右动臂油缸	Left Right Lift Cylinder	79
36. Z3G. 10. 22	液压油箱	Hydraulic Tank	81
37. Z3G. 11	工作装置	Working Device	83
38. Z3G. 12	制动系统	Brake System	85
39. Z3G. 12. 8	加力泵组	Air Master Unit	88
40. Z3. 12. 11A	储气缸	Air Tank	90
41. Z3G. 12	手制动总成	Parking Brake Assembly	92
42. Z3G. 14	电气系统	Electrical System	94
43. Z3G. 15	驾驶室总成	Cab Assembly	97
44. Z3G. 16	左右电瓶箱	Left Right Battery Box	99
45. Z3G. 17A	挡泥板	Fender Assembly	101
46. Z3G. 18A	机罩	Hood	103

1. Z3G.1 柴油机系统 Engine System



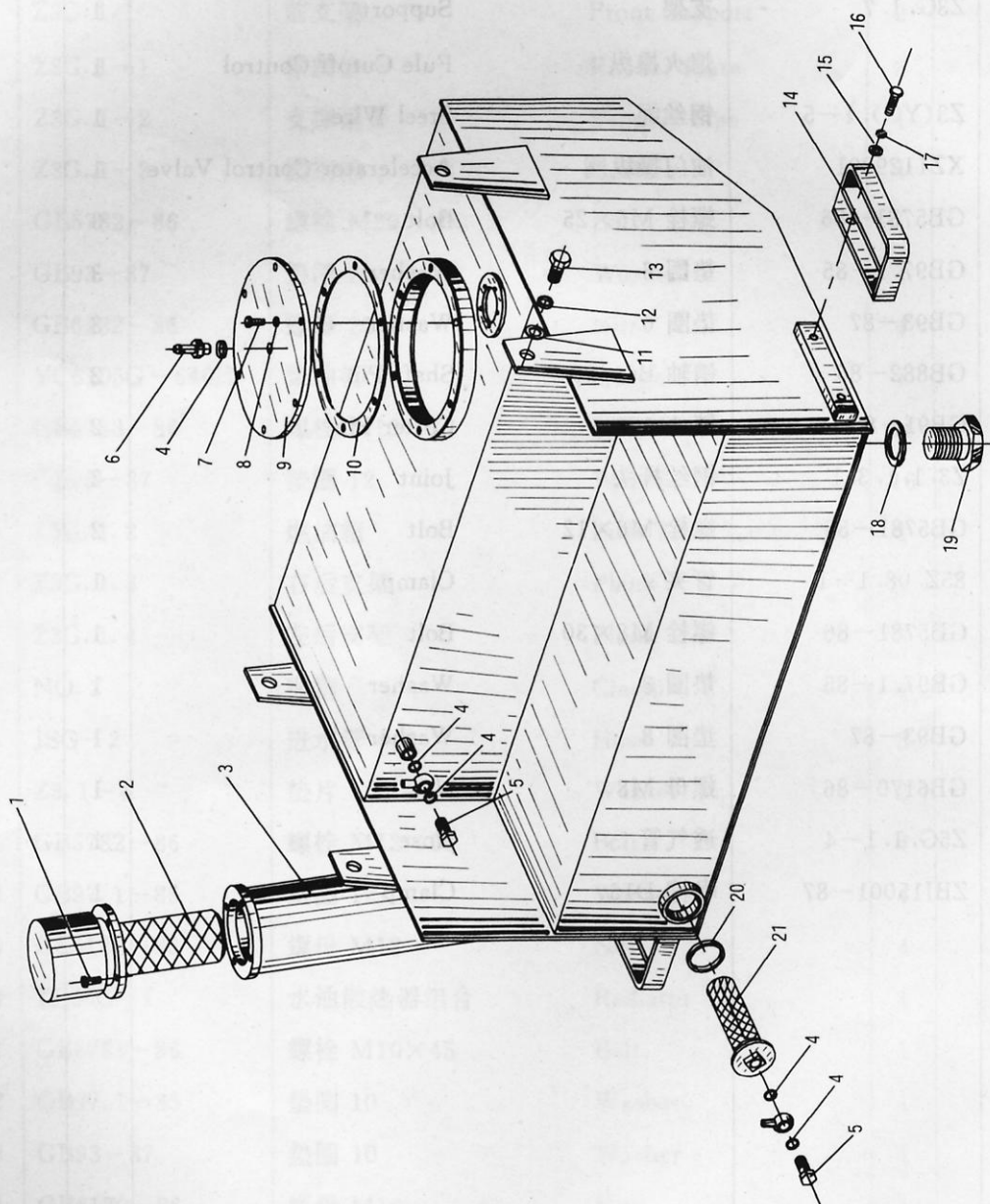
1. Z3G.1 发动机系统 Engine System

标号 Sr. No.	零件代号 Part No.	名 称 Part Description	数量 Q'ty	备 注 Remark
1	Z3G.1.1	前支架 Front Support	2	
2	Z3G.1-1	橡胶垫 Rubber Plate	8	
3	Z3G.1-2	支撑钢管 Support Pipe	4	
4	Z3G.1-3	圆钢垫 Cushion	4	
5	GB5782-86	螺栓 M20×100 Bolt	4	
6	GB93-87	垫圈 20 Washer	4	
7	GB6182-86	螺母 20 Nut	4	
8	YC6105G-640H	柴油机 Engine	1	
9	GB5783-86	螺栓 M12×30 Bolt	16	
10	GB93-87	垫圈 12 Washer	16	
11	Z3G.1.2	燃油箱 Fuel Tank Assembly	1	
12	Z3G.1.3	右后支架 Plank	1	
13	Z3G.1.4	左后支架 Plank	1	
14	NO.2	喉箍 Clamp	4	
15	JSG-2	进水管 φ45 Hose	2	
16	Z3.1-4	垫片 Washer	2	
17	GB5782-86	螺栓 M12×60 Bolt	4	
18	GB97.1-85	垫圈 12 Washer	4	
19	GB6182-86	螺母 M12 Nut	4	
20	ZL30G-I	水油散热器组合 Radiator	1	
21	GB5781-86	螺栓 M10×45 Bolt	1	
22	GB97.1-85	垫圈 10 Washer	1	
23	GB93-87	垫圈 10 Washer	1	
24	GB6170-86	螺母 M10 Nut	1	
25	Z3G.1-5	排气管 Hose	1	
26	Z3(YC).1-2	箍 Clamp	1	
27	Z3G.1.6	固定座 Fixture Bracket	1	

1. Z3G.1 发动机系统 Engine System

标号 Sr. No.	零件代号 Part No.	名 称 Part Description	数量 Q'ty	备 注 Remark
28	Z3G.1.7	支架 Support	1	
29		熄火操纵 Fule Cutoff Control	1	
30	Z3(YC).1-5	钢丝绳 Steel Wire	1	
31	XZ1129001	油门操纵阀 Accelerator Control Valve	1	
32	GB5781-86	螺栓 M6×25 Bolt	3	
33	GB97.1-85	垫圈 6 Washer	3	
34	GB93-87	垫圈 6 Washer	3	
35	GB882-86	销轴 B6×20 Shaft Pin	2	
36	GB91-86	销 2×20 Cotter Pin	2	
37	Z3.1.1.3.1	钢丝杆头 Joint	2	
38	GB5781-86	螺栓 M6×12 Bolt	2	
39	85Z.08.1-1	管夹 Clamp	1	
40	GB5781-86	螺栓 M8×30 Bolt	1	
41	GB97.1-85	垫圈 8 Washer	1	
42	GB93-87	垫圈 8 Washer	1	
43	GB6170-86	螺母 M8 Nut	1	
44	Z5G.1.1-4	透气管 Hose	1	
45	ZBJ15001-87	喉箍 D16 Clamp	1	

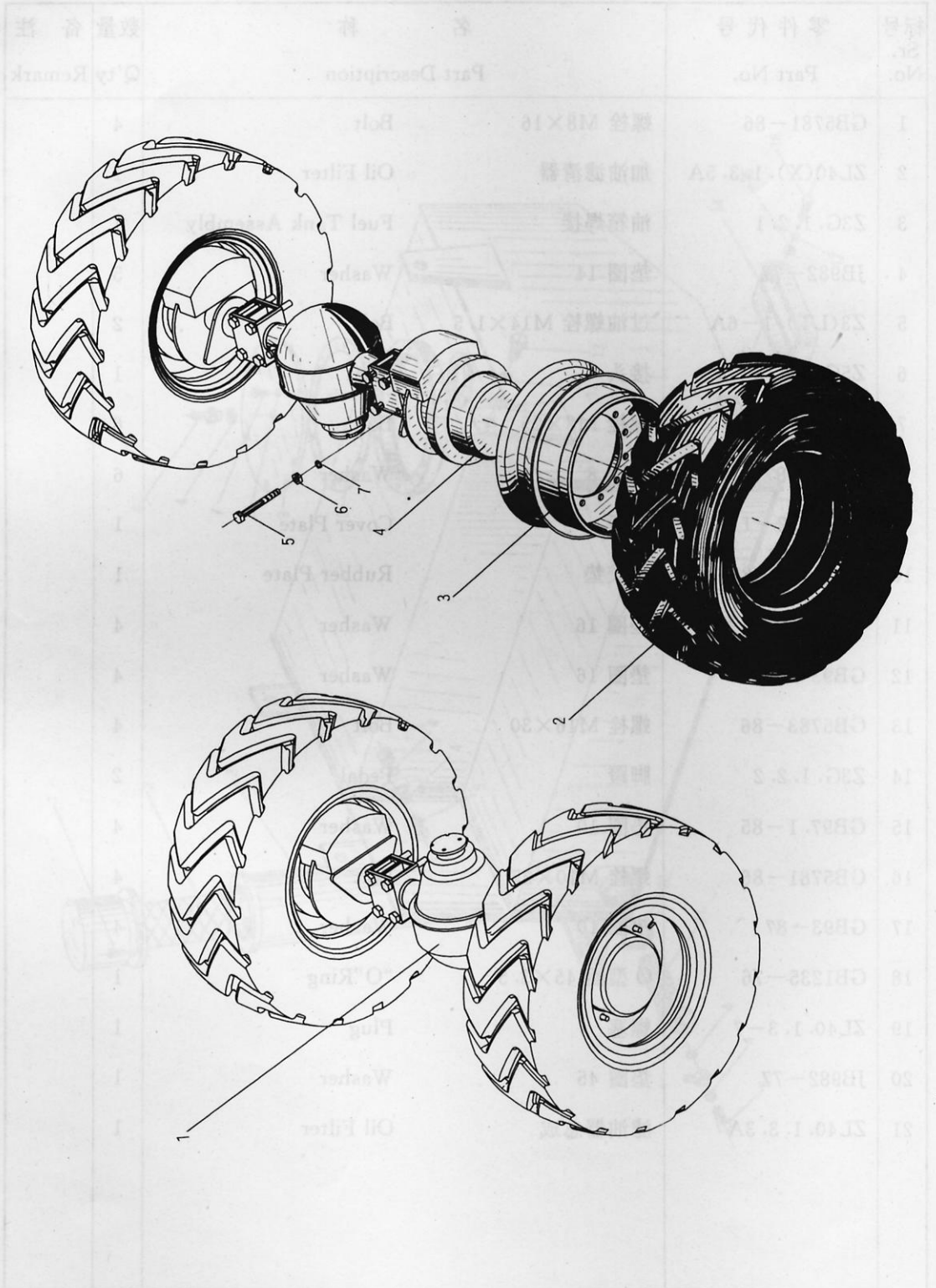
2. Z3G. 1. 2 柴油箱总成 Fuel Tank Assembly



2. Z3G. 1. 2 柴油箱总成 Fuel Tank Assembly

标号 Sr. No.	零件代号 Part No.	名 称 Part Description		数量 Q'ty	备 注 Remark
1	GB5781-86	螺栓 M8×16	Bolt	4	
2	ZL40(X). 1. 3. 5A	加油滤清器	Oil Filter	1	
3	Z3G. 1. 2. 1	油箱焊接	Fuel Tank Assembly	1	
4	JB982-77	垫圈 14	Washer	5	
5	Z3(LT). 1-6A	过油螺栓 M14×1.5	Bolt	2	
6	Z5G. 1. 1. 3-3	接头	Joint	1	
7	GB5781-86	螺栓 M8×25	Bolt	6	
8	GB93-87	垫圈 8	Washer	6	
9	Z3G. 1. 2-1	盖板	Cover Plate	1	
10	Z3G. 1. 2-2	橡胶垫	Rubber Plate	1	
11	GB97. 1-86	垫圈 16	Washer	4	
12	GB93-87	垫圈 16	Washer	4	
13	GB5783-86	螺栓 M16×30	Bolt	4	
14	Z3G. 1. 2. 2	脚蹬	Pedal	2	
15	GB97. 1-85	垫圈 10	Washer	4	
16	GB5781-86	螺栓 M10×25	Bolt	4	
17	GB93-87	垫圈 10	Washer	4	
18	GB1235-76	O 型圈 45×3.5	"O"Ring	1	
19	ZL40. 1. 3-7	螺塞	Plug	1	
20	JB982-77	垫圈 45	Washer	1	
21	ZL40. 1. 3. 3A	滤油器总成	Oil Filter	1	

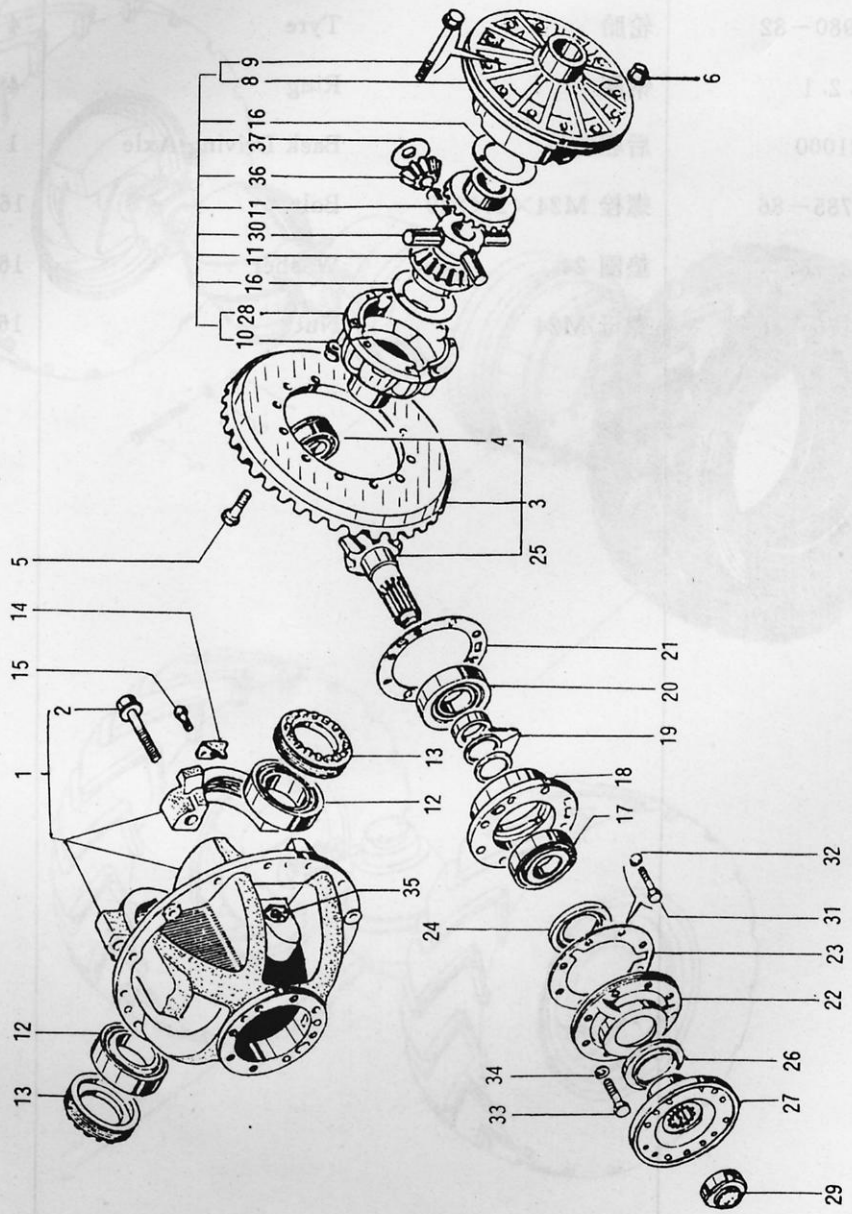
3. Z3G.2 驱动桥总成 Driving Axle Assembly



3. Z3G. 2 驱动桥总成 Driving Axle Assembly

标号 Sr. No.	零件代号 Part No.	名 称 Part Description	数量 Q'ty	备 注 Remark
1	80020000	前驱动桥 Front Driving Axle	1	
2	GB2980-82	轮胎 Tyre	4	
3	Z3G. 2. 1	钢圈 Ring	4	
4	80021000	后驱动桥 Back Driving Axle	1	
5	GB5785-86	螺栓 M24×2×220 Bolt	16	
6	GB93-87	垫圈 24 Washer	16	
7	GB6176-86	螺母 M24 Nut	16	

4. Z3. 2. 00 主减速器总成 Main Reductor Assembly



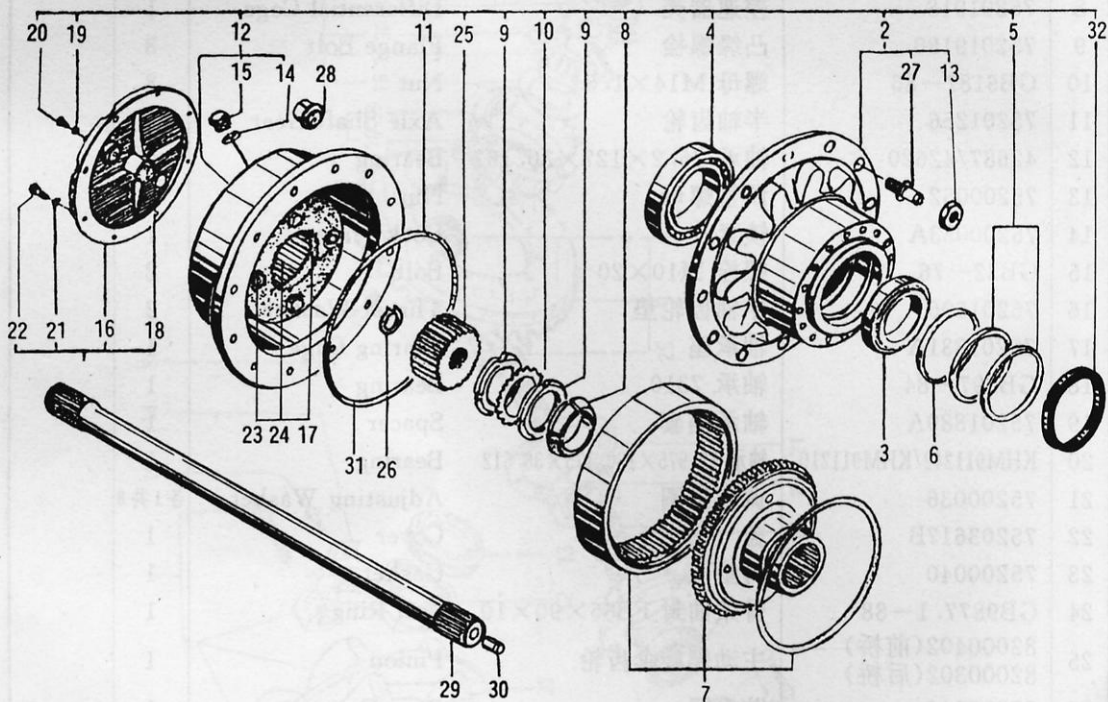
序号	零件代号	名称	数量	备注
No.	Part No.	Part Description	Qty	Remark
1	80020000	前驱动轴	1	
2	GH2980-32	键	1	
3	Z3G-2-1	轴	1	
4	80021000	轴套	1	
5	GH2755-55	轴套	1	
6	GH2755-55	轴套	1	
7	GH2755-55	轴套	1	
8	GH2755-55	轴套	1	
9	GH2755-55	轴套	1	
10	GH2755-55	轴套	1	
11	GH2755-55	轴套	1	
12	GH2755-55	轴套	1	
13	GH2755-55	轴套	1	
14	GH2755-55	轴套	1	
15	GH2755-55	轴套	1	
16	GH2755-55	轴套	1	
17	GH2755-55	轴套	1	
18	GH2755-55	轴套	1	
19	GH2755-55	轴套	1	
20	GH2755-55	轴套	1	
21	GH2755-55	轴套	1	
22	GH2755-55	轴套	1	
23	GH2755-55	轴套	1	
24	GH2755-55	轴套	1	
25	GH2755-55	轴套	1	
26	GH2755-55	轴套	1	
27	GH2755-55	轴套	1	
28	GH2755-55	轴套	1	
29	GH2755-55	轴套	1	
30	GH2755-55	轴套	1	
31	GH2755-55	轴套	1	
32	GH2755-55	轴套	1	
33	GH2755-55	轴套	1	
34	GH2755-55	轴套	1	
35	GH2755-55	轴套	1	

4. Z3. 2. 00 主减速器总成 Main Reductor Assembly

标号 Sr. No.	零件代号 Part No.	名 称 Part Description	数量 Q'ty	备 注 Remark	
1	75200033	轴承盖	Bearing Cage	2	
2	75502600	螺栓 M22×2.5×99	Bolt	4	
3	75201829A	被动螺旋伞齿轮	Driven Bevel Gear		
4	GB28381	轴承 542607	Bearing	1	
5	75500003	螺栓	Bolt	12	
6	GB6187-86	螺母 M14×1.5	Nut	12	
7	75201916	差速器总成	Differential Assembly	1	
8	75201918	差速器壳	Differential Cage	1	
9	752019180	凸缘螺栓	Flange Bolt	8	
10	GB6187-86	螺母 M14×1.5	Nut	8	
11	75201256	半轴齿轮	Axle Shaft Gear	2	
12	42687/42620	轴承 76.2×127×30.162	Bearing	2	
13	75200052	调整螺母	Nut	2	
14	75200053A	锁紧片	Lock Plate	1	
15	GB32-76	螺栓 M10×20	Bolt	2	
16	75201606	半轴齿轮垫	Thrust Washer	2	
17	75201831A	轴承座	Bearing Cage	1	
18	GB297-84	轴承 7310	Bearing	1	
19	75201889A	轴承隔套	Spacer	1	
20	KHM911242/KHM911210	轴承 53.975×130.175×36.512	Bearing	1	
21	75200036	调整垫圈	Adjusting Washer	各1共8	
22	75203617B	盖	Cover	1	
23	75200040	衬垫	Gasket	1	
24	GB9877.1-88	骨架油封 FB65×90×10	Seal Ring	1	
25	82000402(前桥) 82000302(后桥)	主动螺旋伞齿轮	Pinion	1	
26	75200046	防尘罩	Dust Cap	1	
27	82000404	联接法兰	Flange	1	
28	75201919	差速器壳	Differential Cage	1	
29	75500007A	锁紧螺母	Locknut	1	
30	75200059	十字轴	Differential Cross	1	
31	75500006	螺栓 M12×1.5×45/28	Bolt	1	
32	GB93-87	垫圈 12	Washer	1	
33	75500005	螺栓 M14×1.5×45/32	Bolt	7	
34	GB93-87	垫圈 14	Washer	7	
35	ZL40.2.1.2	止推螺栓	Bolt	1	
36	75201255	行星齿轮	Planetary Gear	4	
37	75201607	行星齿轮垫	Washer	4	

5. Z3. 2. 00 轮边减速器总成 Planetary Reductor Assembly

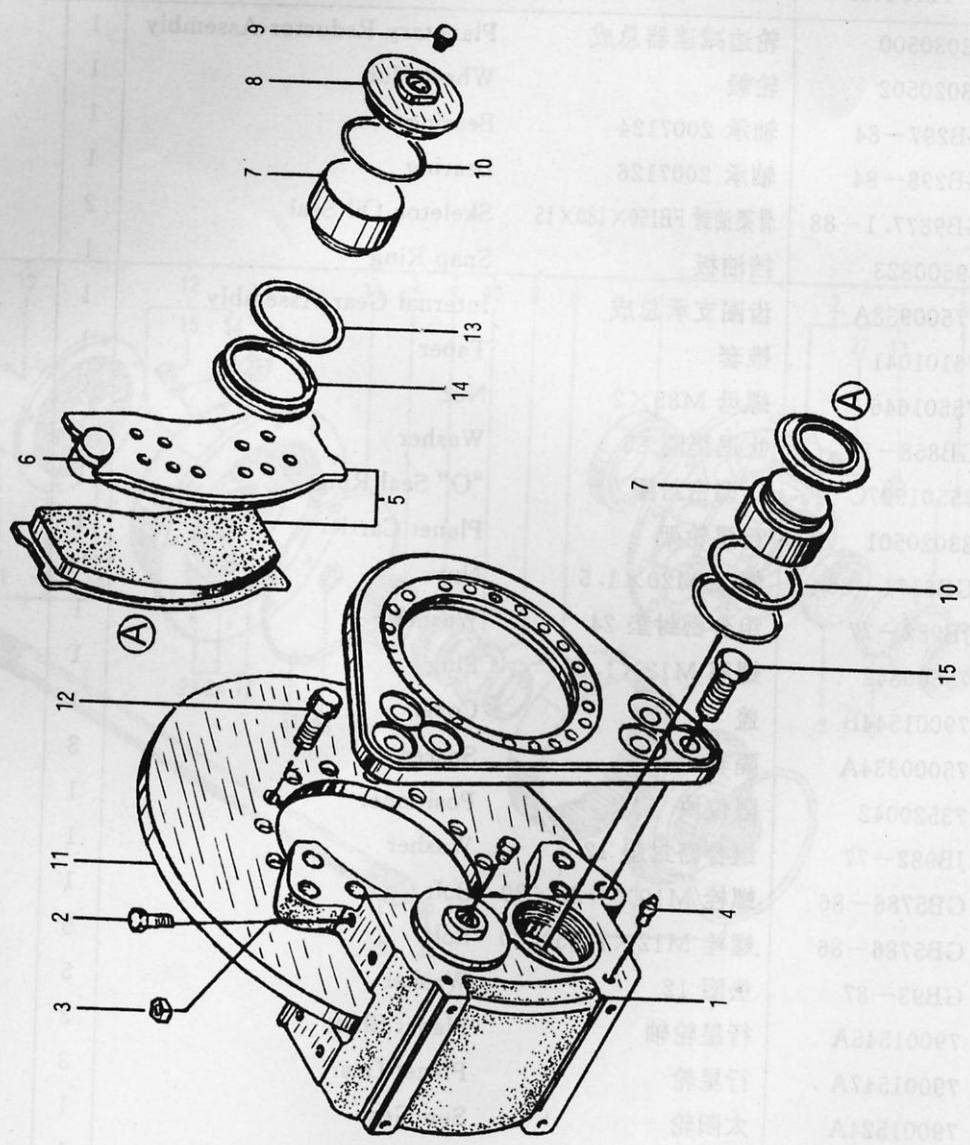
Part No.	Part Description	Quantity
1	行星架 (Planetary Cage)	1
2	螺栓 M12 x 1.5 x 32 (Bolt)	4
3	行星架行星轮 (Planetary Cage Planet Gear)	1
4	行星架行星轮 (Planetary Cage Planet Gear)	1
5	行星架行星轮 (Planetary Cage Planet Gear)	1
6	行星架行星轮 (Planetary Cage Planet Gear)	1
7	行星架行星轮 (Planetary Cage Planet Gear)	1
8	行星架行星轮 (Planetary Cage Planet Gear)	1
9	行星架行星轮 (Planetary Cage Planet Gear)	1
10	行星架行星轮 (Planetary Cage Planet Gear)	1
11	行星架行星轮 (Planetary Cage Planet Gear)	1
12	行星架行星轮 (Planetary Cage Planet Gear)	1
13	行星架行星轮 (Planetary Cage Planet Gear)	1
14	行星架行星轮 (Planetary Cage Planet Gear)	1
15	行星架行星轮 (Planetary Cage Planet Gear)	1
16	行星架行星轮 (Planetary Cage Planet Gear)	1
17	行星架行星轮 (Planetary Cage Planet Gear)	1
18	行星架行星轮 (Planetary Cage Planet Gear)	1
19	行星架行星轮 (Planetary Cage Planet Gear)	1
20	行星架行星轮 (Planetary Cage Planet Gear)	1
21	行星架行星轮 (Planetary Cage Planet Gear)	1
22	行星架行星轮 (Planetary Cage Planet Gear)	1
23	行星架行星轮 (Planetary Cage Planet Gear)	1
24	行星架行星轮 (Planetary Cage Planet Gear)	1
25	行星架行星轮 (Planetary Cage Planet Gear)	1
26	行星架行星轮 (Planetary Cage Planet Gear)	1
27	行星架行星轮 (Planetary Cage Planet Gear)	1
28	行星架行星轮 (Planetary Cage Planet Gear)	1
29	行星架行星轮 (Planetary Cage Planet Gear)	1
30	行星架行星轮 (Planetary Cage Planet Gear)	1
31	行星架行星轮 (Planetary Cage Planet Gear)	1
32	行星架行星轮 (Planetary Cage Planet Gear)	1



5. Z3. 2. 00 轮边减速器总成 Planetary Reductor Assembly

标号 Sr. No.	零件代号 Part No.	名 称 Part Description		数量 Q'ty	备 注 Remark
1	83030500	轮边减速器总成	Planetary Reductor Assembly	1	
2	83020502	轮毂	Wheel Hub	1	
3	GB297-84	轴承 2007124	Bearing	1	
4	GB298-84	轴承 2007126	Bearing	1	
5	GB9877.1-88	骨架油封 FB150×180×15	Skeleton Oil Seal	2	
6	79500823	挡油板	Snap Ring	1	
7	77500938A	齿圈支承总成	Internal Gear Assembly	1	
8	76101041	锥套	Taper	1	
9	75501646	螺母 M85×2	Nut	2	
10	GB858-86	止退垫圈 85	Washer	1	
11	75501907C	O 型密封圈	"O" Seal Ring	1	
12	83020501	行星轮架	Planet Carrier	1	
13	GB6171-86	螺母 M20×1.5	Nut	24	
14	JB982-77	组合密封垫 24	Washer	1	
15	75500842	螺塞 M12×1.25	Plug	1	
16	79001544B	盖	Cover	1	
17	75000334A	隔套	Spacer	3	
18	73520042	限位块	Positioner	1	
19	JB982-77	组合密封垫 12	Washer	1	
20	GB5786-86	螺栓 M10×1.25×20	Bolt	1	
21	GB5786-86	螺栓 M12×1.25×20	Bolt	5	
22	GB93-87	垫圈 12	Washer	5	
23	79001545A	行星轮轴	Planet Shaft	3	
24	79001547A	行星轮	Planet Gear	3	
25	79001524A	太阳轮	Sun Gear	1	
26	GB894.1-86	挡圈 50	Snap Ring	1	
27	ZL40.2-9	轮辋螺栓 M20×1.5	Wheel Pin	12	
28	ZL40.2-10	轮辋螺母 M20	Wheel Nut	12	
29	80020001	半轴	Axle Shaft	1	
30	77000044	调整支柱	Adjusting Pin	各1共4	
31	75600330	滚针 φ6×30	Needle	126	
32	79500813A	油封座	Gasket	1	

6. Z3. 2. 00 制动器总成 Disk Brake

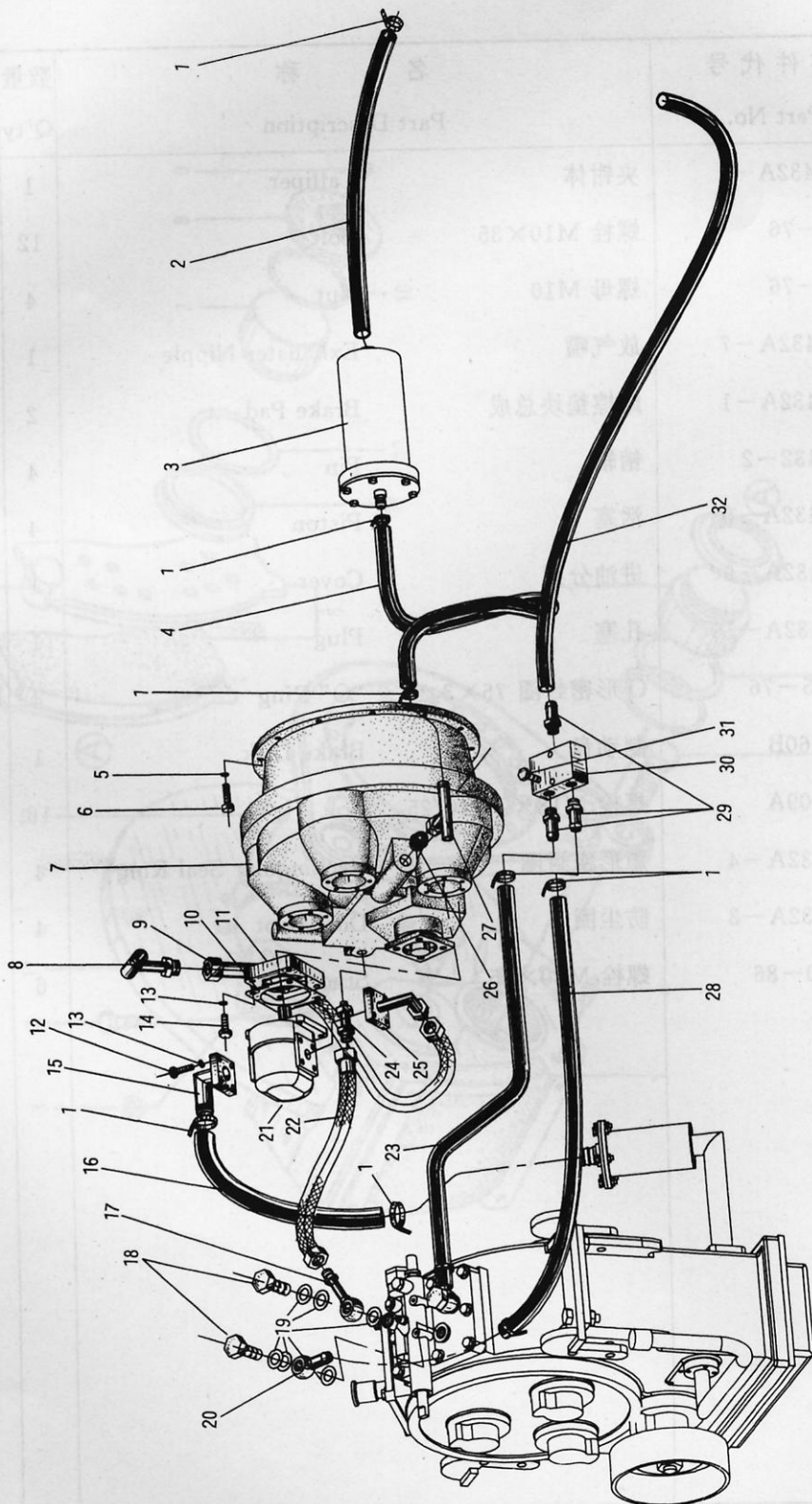


零件代号 Part No.	数量 Qty	备注 Remark
8303000	1	制动蹄总成 Brake Shoe Assembly
8303002	2	衬套 Bushing
GH297-84	3	衬套 2007124 Bushing 2007124
GH298-84	4	衬套 2007126 Bushing 2007126
GH297.1-88	5	衬套 2007124 Bushing 2007124
Y560023	6	衬套 Bushing
Y560323A	7	衬套 Bushing
Y570101	8	衬套 Bushing
Y570101	9	衬套 Bushing
GH298-84	10	衬套 2007126 Bushing 2007126
8303001	11	制动蹄 Brake Shoe
Y560323A	12	衬套 Bushing
Y560323A	13	衬套 Bushing
Y560323A	14	衬套 Bushing
GH298-86	15	衬套 2007126 Bushing 2007126
GH298-86	16	衬套 2007126 Bushing 2007126
GH298-86	17	衬套 2007126 Bushing 2007126
GH298-86	18	衬套 2007126 Bushing 2007126
GH298-86	19	衬套 2007126 Bushing 2007126
GH298-86	20	衬套 2007126 Bushing 2007126
GH298-86	21	衬套 2007126 Bushing 2007126
GH298-86	22	衬套 2007126 Bushing 2007126
GH298-86	23	衬套 2007126 Bushing 2007126
GH298-86	24	衬套 2007126 Bushing 2007126
GH298-86	25	衬套 2007126 Bushing 2007126
GH298-86	26	衬套 2007126 Bushing 2007126
GH298-86	27	衬套 2007126 Bushing 2007126
GH298-86	28	衬套 2007126 Bushing 2007126
GH298-86	29	衬套 2007126 Bushing 2007126
GH298-86	30	衬套 2007126 Bushing 2007126
GH298-86	31	衬套 2007126 Bushing 2007126
GH298-86	32	衬套 2007126 Bushing 2007126
GH298-86	33	衬套 2007126 Bushing 2007126
GH298-86	34	衬套 2007126 Bushing 2007126
GH298-86	35	衬套 2007126 Bushing 2007126
GH298-86	36	衬套 2007126 Bushing 2007126
GH298-86	37	衬套 2007126 Bushing 2007126
GH298-86	38	衬套 2007126 Bushing 2007126
GH298-86	39	衬套 2007126 Bushing 2007126
GH298-86	40	衬套 2007126 Bushing 2007126
GH298-86	41	衬套 2007126 Bushing 2007126
GH298-86	42	衬套 2007126 Bushing 2007126

6.Z3.2.00 制动器总成 Disk Brake

标号 Sr. No.	零件代号 Part No.	名 称 Part Description	数量 Q'ty	备 注 Remark
1	75700432A-1	夹钳体 Calliper	1	
2	GB21-76	螺栓 M10×35 Bolt	12	
3	GB51-76	螺母 M10 Nut	4	
4	75700432A-7	放气嘴 Exhauster Nipple	1	
5	75700432A-1	摩擦垫块总成 Brake Pad	2	
6	75700432-2	销轴 Pin	4	
7	75700432A-5	活塞 Piston	4	
8	75700432A-9	进油分泵 Cover	1	
9	75700432A-10	孔塞 Plug	1	
10	GB1235-76	O形密封圈 75×3.1 "O" Ring	4	
11	72006560B	制动盘 Brake Disk	1	
12	75502009A	螺栓 M18×2×40/25 Bolt	16	
13	75700432A-4	矩形密封圈 Rectangular Seal Ring	4	
14	75700432A-3	防尘圈 Dust Boot	4	
15	GB5780-86	螺栓 M20×65 Stud	6	

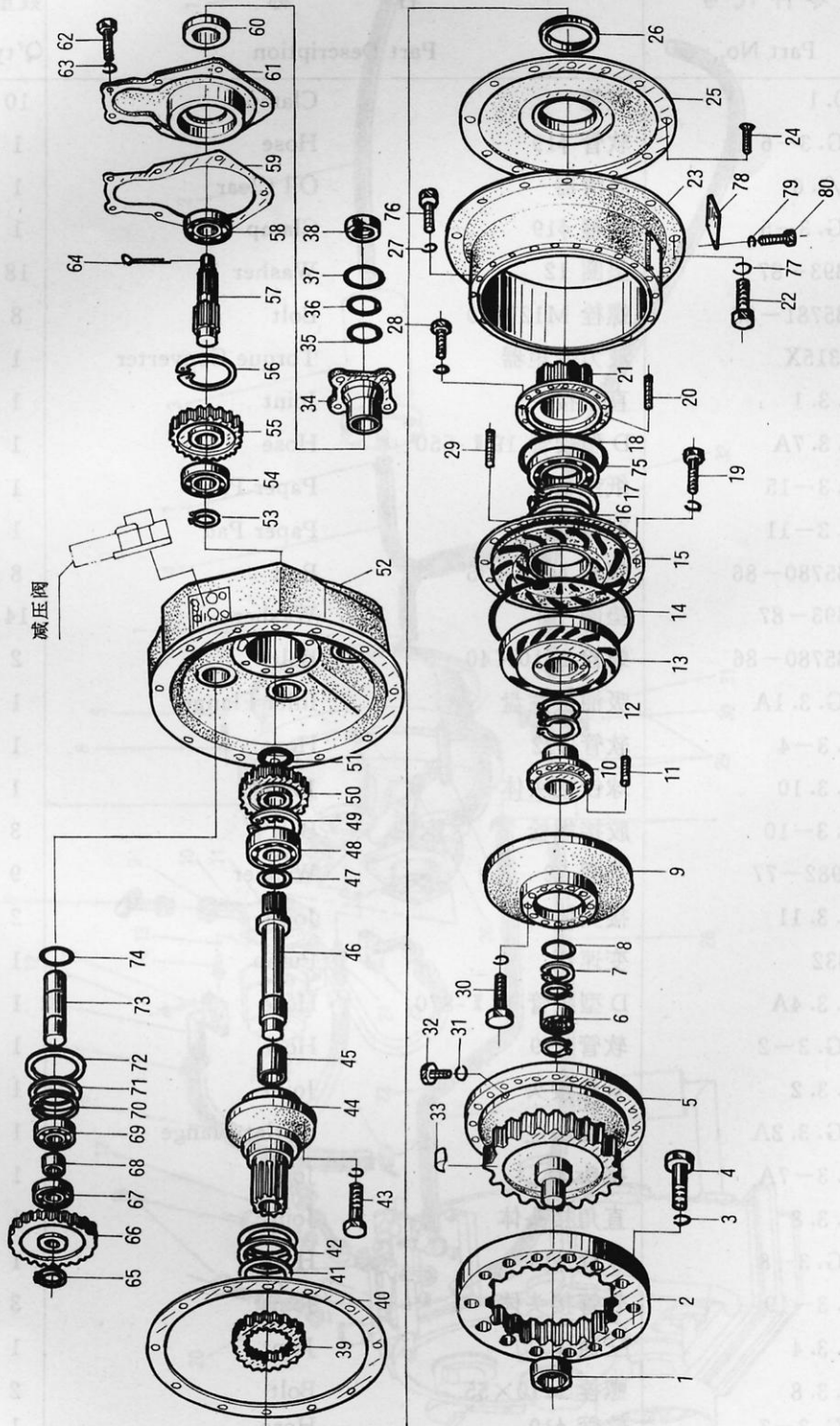
7. Z3G. 3A 传动液压系统 Transmission Hydraulic System



7. Z3G. 3A 传动液压系统 Transmission Hydraulic System

标号 Sr. No.	零件代号 Part No.	名 称 Part Description	数量 Q'ty	备 注 Remark	
1	NO. 1	喉箍	Clamp	10	
2	Z3G. 3-6	软管 $\phi 19$	Hose	1	
3	Z3. 3. 6	滤清器	Oil Clear	1	
4	Z3G. 3-5	喉箍 $\phi 19$	Clamp	1	
5	GB93-87	垫圈 12	Washer	18	
6	GB5781-86	螺栓 M12 \times 30	Bolt	8	
7	YJ315X	液力变矩器	Torque Converter	1	
8	Z3. 3. 1	直角接头	Joint	1	
9	Z3. 3. 7A	D型胶管 19 I -550	Hose	1	
10	Z3. 3-15	纸垫	Paper Pad	1	
11	Z3. 3-11	联接盘	Paper Pad	1	
12	GB5780-86	螺栓 M10 \times 35	Bolt	8	
13	GB93-87	垫圈 10	Washer	14	
14	GB5780-86	螺栓 M10 \times 40	Bolt	2	
15	Z3G. 3. 1A	吸油法兰盘	Inlet Flange	1	
16	Z3. 3-4	软管 $\phi 32$	Hose	1	
17	Z3. 3. 10	球铰接头体	Joint	1	
18	Z3. 3-10	胶接螺栓	Bolt	3	
19	JB982-77	垫圈 22	Washer	9	
20	Z3. 3. 11	接头体	Joint	2	
21	CB32	变速泵	Pump	1	
22	Z3. 3. 4A	D型胶管 13 I -870	Hose	1	
23	Z3G. 3-2	软管 $\phi 19$	Hose	1	
24	Z3. 3. 2	直角接头	Joint	1	
25	Z3G. 3. 2A	出油法兰	Outlet Flange	1	
26	Z3. 3-7A	接头体	Joint	1	
27	Z3. 3. 8	直角接头体	Joint	1	
28	Z3G. 3-8	软管 $\phi 19$	Hose	1	
29	Z3. 3-19	软管接头体	Joint	3	
30	Z3. 3. 4	三通体	Joint	1	
31	Z3. 3. 8	螺栓 M10 \times 55	Bolt	2	
32	Z3G. 3-7	软管 $\phi 19$	Hose	1	

8. Z3. 3. 00 变矩器总成 Torque Converter



8. Z3. 3. 00 变矩器总成 Torque Converter

标号 Sr. No.	零件代号 Part No.	名 称 Part Description	数量 Q'ty	备 注 Remark
1	30D-11-31	铜套 Bush	1	
2	30D-11-30	驱动盘 Driving Wheel	1	
3	GB93-87	弹簧垫片 10 Washer	25	
4	GB5783-86	螺栓 $\frac{M10 \times 40}{M10 \times 55}$ Bolt	$\frac{12}{12}$	
5	30D-11-32	联接轮 Connitive Wheel	1	
6	GB289-64	滚针轴承 4074106 Needle Bearing	1	
7	GB893-76	孔用挡圈 55 Snap Ring	1	
8	GB894-76	轴用挡圈 38 Snap Ring	2	
9	30D-11-37	涡轮 Turbine	1	
10	30D-11-28	涡轮座 Turbine Guide Sleeve	1	
11	30D-11-29	定位销 Pin	6	
12	GB894-76	轴用挡圈 60 Snap Ring	1	
13	30D-11-27	导轮 Stator	1	
14	GB1235-76	密封圈 339×3.5 "O" Ring	1	
15	30D-11-25	泵轮 Impeller	1	
16	30D-11-24	隔环 Snap	1	
17	GB893-76	孔用挡圈 Snap Ring	1	
18	GB1235-76	密封圈 130×3.1 "O" Ring	1	
19	GB5783-86	螺栓 M8×24 Bolt	24	
20	30D-11-22	销轴 Pin	4	
21	30D-11-21	泵轮座 Impeller Guide Sleeve	1	
22	GB5783-86	螺栓 M10×30 Bolt	12	
23	30D11-26	气轮壳中节 Converter Housing	1	
24	GB68-76	沉头螺钉 M8×20 Screw	12	
25	30D-11-23	隔离盘 Spacer Plate	1	
26	BJ130-3104070	油封 100×120×13 Oil Seal	1	
27	GB93-87	弹簧垫圈 12 Lock Washer	19	
28	GB5782-86	螺栓 M10×22 Bolt	8	
29	30D-11-33	销 A6×20 Pin	1	
30	GB5782-86	螺栓 M8×18 Bolt	6	
31	30D-11-36	垫圈 Washer	2	

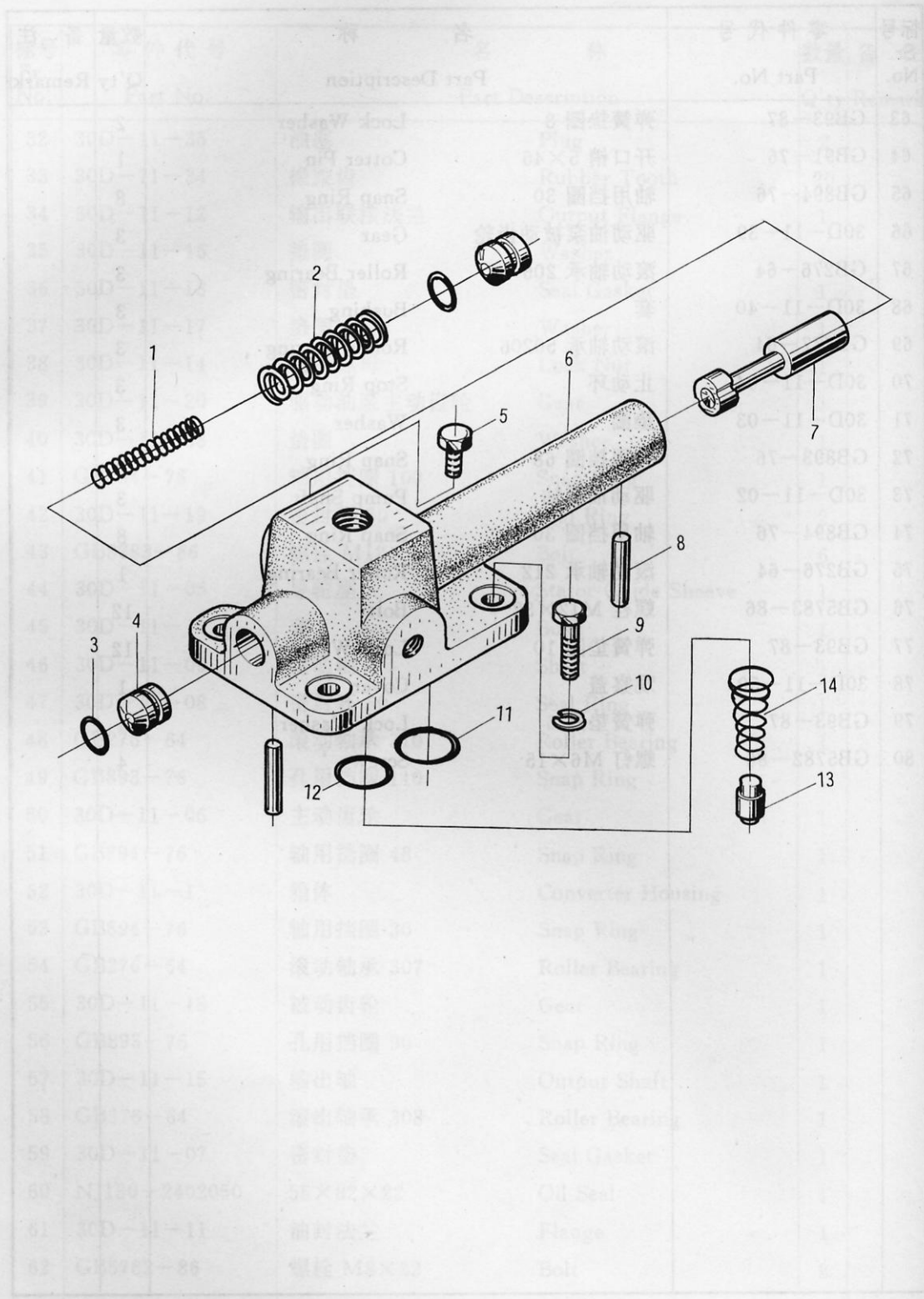
8. Z3. 3. 00 变矩器总成 Torque Converter

标号 Sr. No.	零件代号 Part No.	名 称 Part Description	数量 Q'ty	备 注 Remark
32	30D-11-35	油塞	2	
33	30D-11-34	橡胶齿	20	
34	30D-11-12	输出联接法兰	1	
35	30D-11-16	垫圈	1	
36	30D-11-13	密封垫	1	
37	30D-11-17	垫圈	1	
38	30D-11-14	槽形螺母	1	
39	30D-11-20	驱动油泵主动齿轮	1	
40	30D-11-38	垫圈	1	
41	GB894-76	轴用挡圈 100	1	
42	30D-11-19	密封环 80	2	
43	GB5783-86	螺栓 M12×30	6	
44	30D-11-05	导轮座	1	
45	30D-11-10	套	1	
46	30D-11-09	主动轴	1	
47	30D-11-08	密封环 60	1	
48	GB276-64	滚动轴承 310	1	
49	GB893-76	孔用挡圈 110	1	
50	30D-11-06	主动齿轮	1	
51	GB894-76	轴用挡圈 48	1	
52	30D-11-1	箱体	1	
53	GB894-76	轴用挡圈 30	1	
54	GB276-64	滚动轴承 307	1	
55	30D-11-18	被动齿轮	1	
56	GB893-76	孔用挡圈 90	1	
57	30D-11-15	输出轴	1	
58	GB276-64	滚出轴承 308	1	
59	30D-11-07	密封垫	1	
60	NJ130-2402050	55×82×22	1	
61	30D-11-11	油封法兰	1	
62	GB5782-86	螺栓 M8×22	2	

8. Z3. 3. 00 变矩器总成 Torque Converter

标号 Sr. No.	零件代号 Part No.	名 称 Part Description	数量 Q'ty	备 注 Remark
63	GB93-87	弹簧垫圈 8 Lock Washer	2	
64	GB91-76	开口销 5×45 Cotter Pin	1	
65	GB894-76	轴用挡圈 30 Snap Ring	8	
66	30D-11-39	驱动油泵被动齿轮 Gear	3	
67	GB276-64	滚动轴承 206 Roller Bearing	3	
68	30D-11-40	套 Bushing	3	
69	GB277-64	滚动轴承 50206 Roller Bearing	3	
70	30D-11-04	止动环 Stop Ring	3	
71	30D-11-03	垫圈 Washer	3	
72	GB893-76	孔用挡圈 68 Snap Ring	3	
73	30D-11-02	驱动油泵轴 Pump Shaft	3	
74	GB894-76	轴用挡圈 30 Snap Ring	8	
75	GB276-64	滚动轴承 212 Roller Bearing	1	
76	GB5783-86	螺栓 M12×32 Bolt	12	
77	GB93-87	弹簧垫圈 10 Lock Washer	12	
78	30D-11-50	观察盖 Cover	1	
79	GB93-87	弹簧垫圈 6 Lock Washer	4	
80	GB5782-86	螺钉 M6×15 Screw	4	

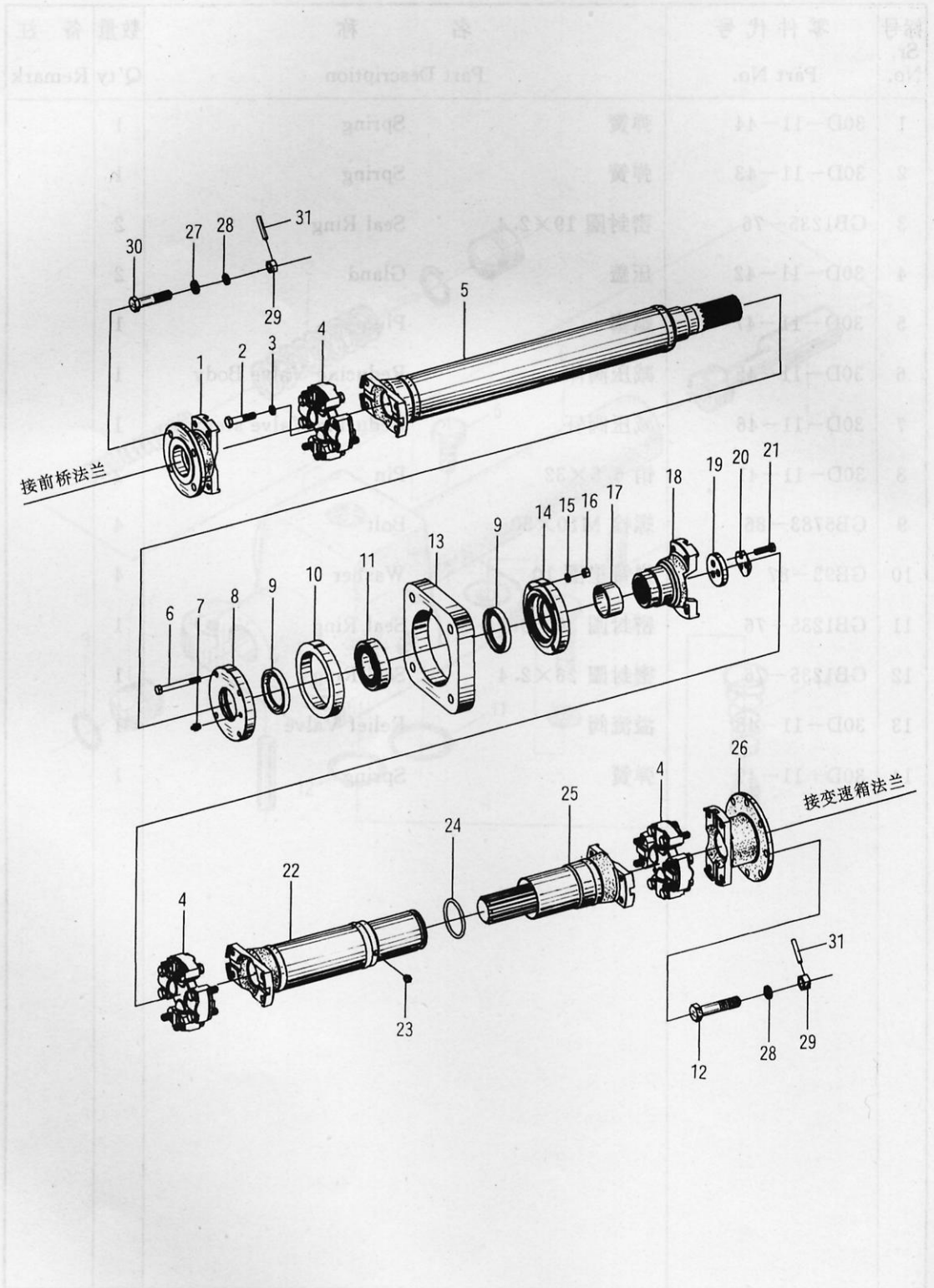
9. Z3. 3. 00 减压阀总成 Reducing Valve Assembly



9. Z3. 3. 00 减压阀总成 Reducing Valve Assembly

标号 Sr. No.	零件代号 Part No.	名 称 Part Description	数量 Q'ty	备 注 Remark
1	30D-11-44	弹簧 Spring	1	
2	30D-11-43	弹簧 Spring	1	
3	GB1235-76	密封圈 19×2.4 Seal Ring	2	
4	30D-11-42	压盖 Gland	2	
5	30D-11-47	螺塞 Plug	1	
6	30D-11-45	减压阀体 Reducing Valve Body	1	
7	30D-11-46	减压阀杆 Reducing Valve stem	1	
8	30D-11-41	销 6.5×32 Pin	2	
9	GB5783-86	螺栓 M10×30 Bolt	4	
10	GB93-87	弹簧垫圈 10 Washer	4	
11	GB1235-76	密封圈 30×3.1 Seal Ring	1	
12	GB1235-76	密封圈 26×2.4 Seal Ring	1	
13	30D-11-48	溢流阀 Relief Valve	1	
14	30D-11-49	弹簧 Spring	1	

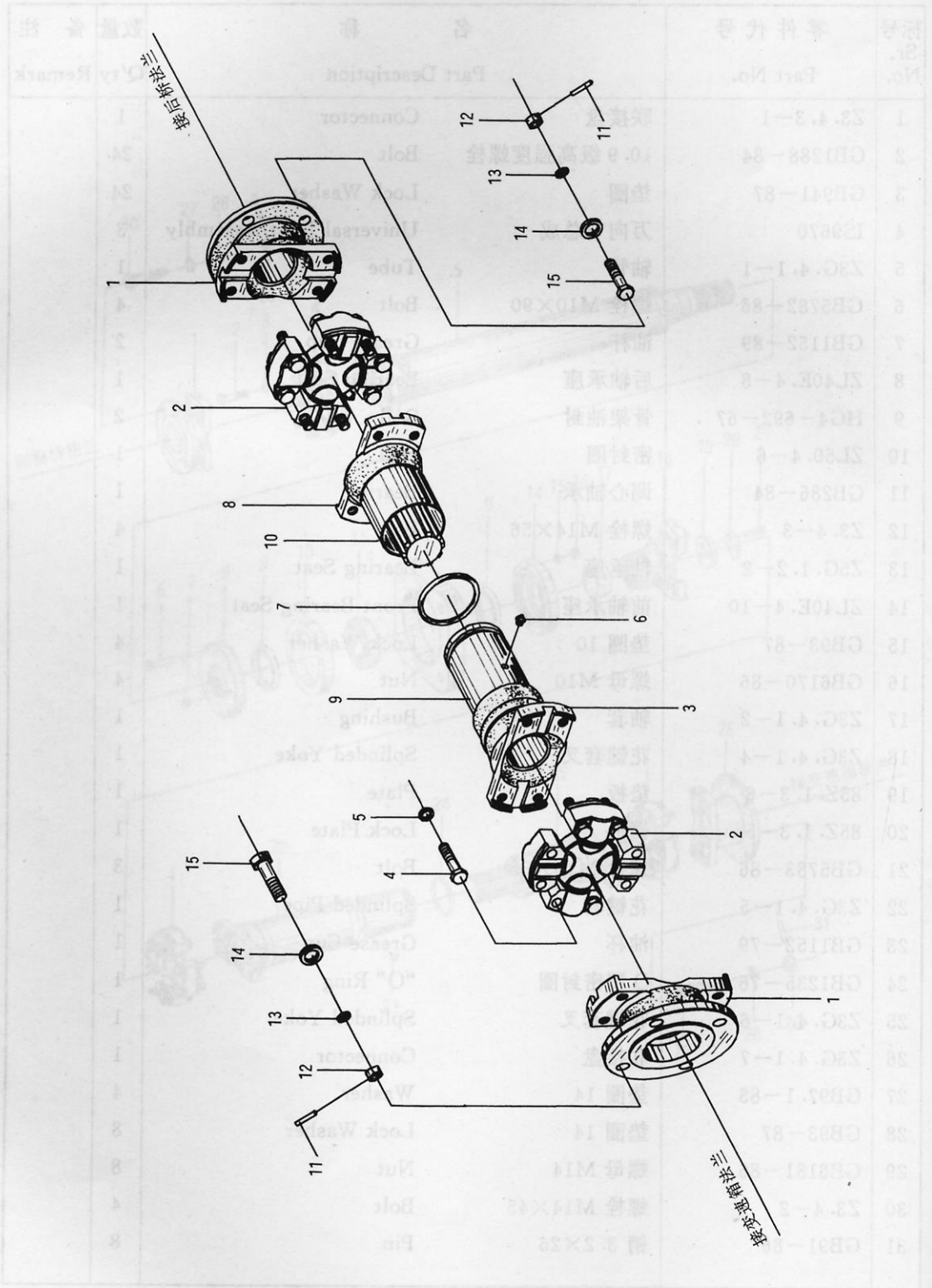
10. Z3G. 4.1 前传动轴 Front Drive Shaft



10. Z3G. 4.1 前传动轴 Front Drive Shaft

标号 Sr. No.	零件代号 Part No.	名 称 Part Description	数量 Q'ty	备 注 Remark
1	Z3. 4. 3-1	联接盘 Connector	1	
2	GB1288-84	10.9级高强度螺栓 Bolt	24	
3	GB941-87	垫圈 Lock Washer	24	
4	IS9670	万向节总成 Universal Joint Assembly	3	
5	Z3G. 4. 1-1	轴管 Tube	1	
6	GB5782-86	螺栓 M10×90 Bolt	4	
7	GB1152-89	油杯 Grease Cup	2	
8	ZL40E. 4-8	后轴承座 Bearing Seat	1	
9	HG4-692-67	骨架油封 Seal	2	
10	ZL50. 4-6	密封圈 Seal	1	
11	GB286-84	调心轴承 Bearing	1	
12	Z3. 4-3	螺栓 M14×56 Bolt	4	
13	Z5G. 1. 2-2	轴承座 Bearing Seat	1	
14	ZL40E. 4-10	前轴承座 Front Bearing Seat	1	
15	GB93-87	垫圈 10 Lock Washer	4	
16	GB6170-86	螺母 M10 Nut	4	
17	Z3G. 4. 1-2	轴套 Bushing	1	
18	Z3G. 4. 1-4	花键套叉 Splined Yoke	1	
19	85Z. 1. 3-6	垫板 Plate	1	
20	85Z. 1. 3-5	锁板 Lock Plate	1	
21	GB5783-86	螺栓 M10×35 Bolt	3	
22	Z3G. 4. 1-5	花键套 Splined Pipe	1	
23	GB1152-79	油杯 Grease Cup	1	
24	GB1235-76	O型密封圈 "O" Ring	1	
25	Z3G. 4. 1-6	花键套叉 Splined Yoke	1	
26	Z3G. 4. 1-7	联接盘 Connector	1	
27	GB97. 1-85	垫圈 14 Washer	4	
28	GB93-87	垫圈 14 Lock Washer	8	
29	GB6181-86	螺母 M14 Nut	8	
30	Z3. 4-2	螺栓 M14×45 Bolt	4	
31	GB91-86	销 3.2×26 Pin	8	

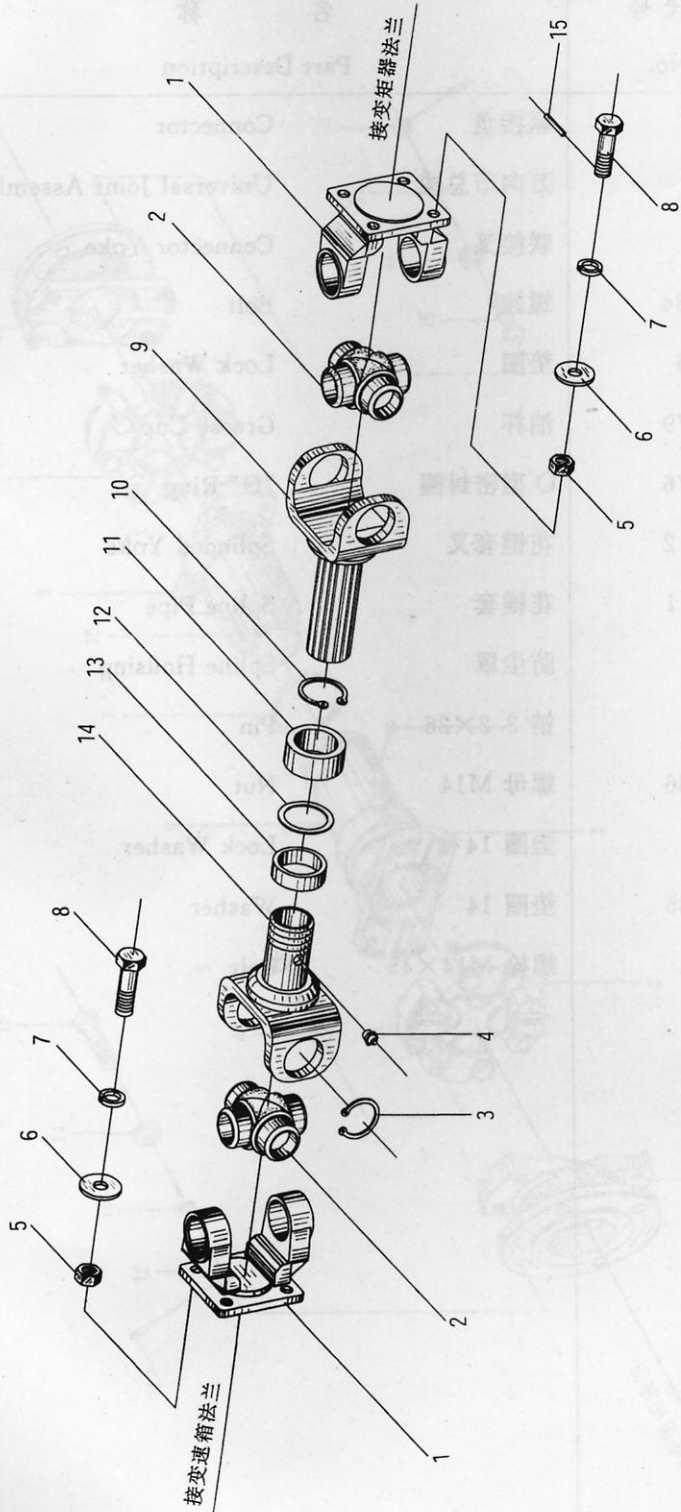
11. Z3G. 4.2 后传动轴 Rear Drive Shaft



11. Z3G. 4. 2 后传动轴 Rear Drive Shaft

标号 Sr. No.	零件代号 Part No.	名 称 Part Description	数量 Q'ty	备 注 Remark
1	Z3. 4. 3-1	联接盘 Connector	2	
2	IS9670	万向节总成 Universal Joint Assembly	2	
3	Z3. 4. 3-2	联接叉 Connector Yoke	2	
4	GB1288-84	螺栓 Bolt	16	
5	GB859-76	垫圈 Lock Washer	16	
6	GB1152-79	油杯 Grease Cup	1	
7	GB1235-76	O 型密封圈 "O" Ring	1	
8	Z3. 4. 4A-2	花键套叉 Splined Yoke	1	
9	Z3G. 4. 2-1	花键套 Spline Pipe	1	
10	Z3. 4. 4-3	防尘罩 Spline Housing	1	
11	GB91-86	销 3.2×26 Pin	8	
12	GB6181-86	螺母 M14 Nut	8	
13	GB93-87	垫圈 14 Lock Washer	8	
14	GB97. 1-85	垫圈 14 Washer	8	
15	Z3. 4-2	螺栓 M14×45 Bolt	8	

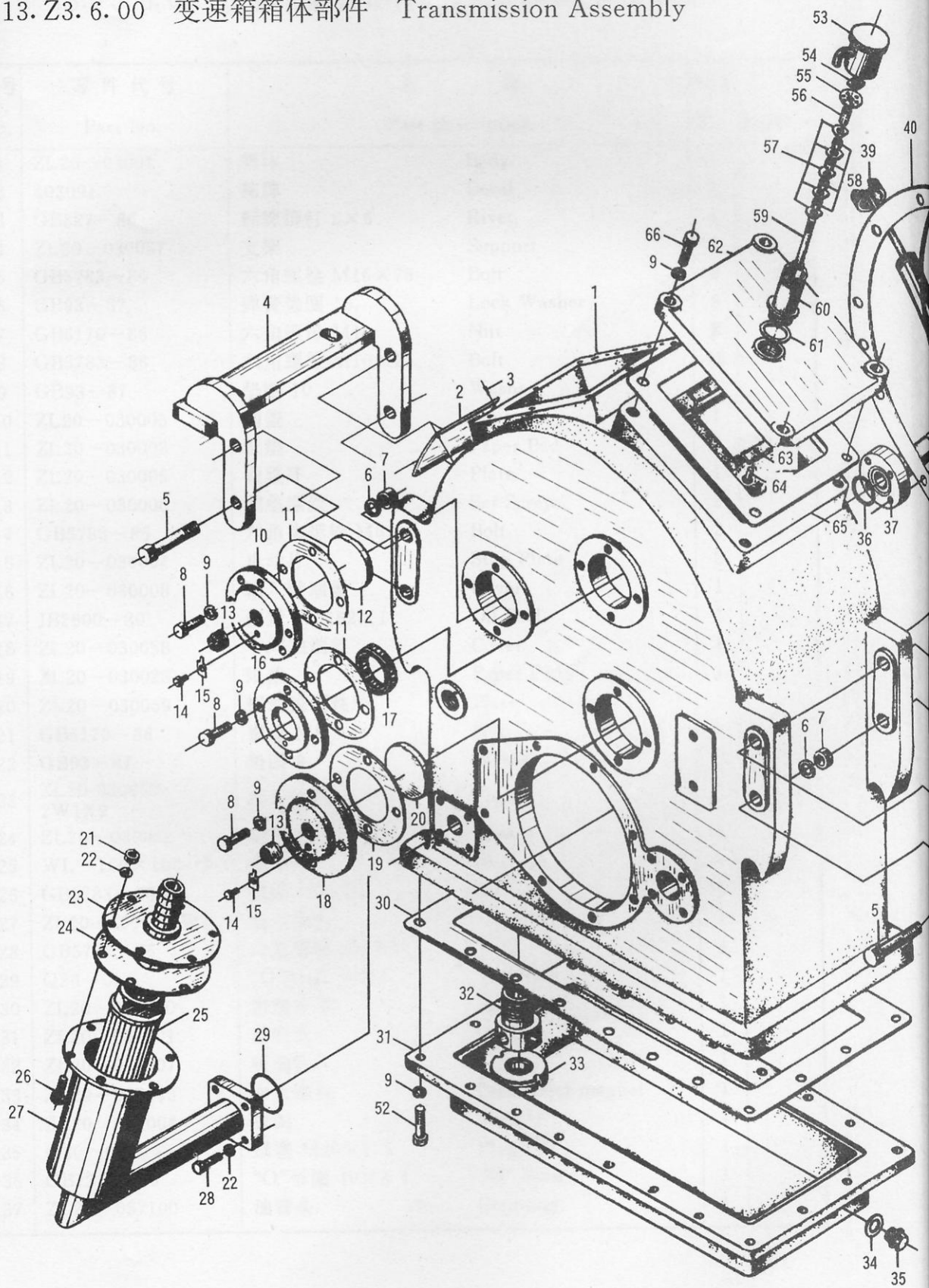
12. Z3G. 4.3 主传动轴 Main Driving Shaft

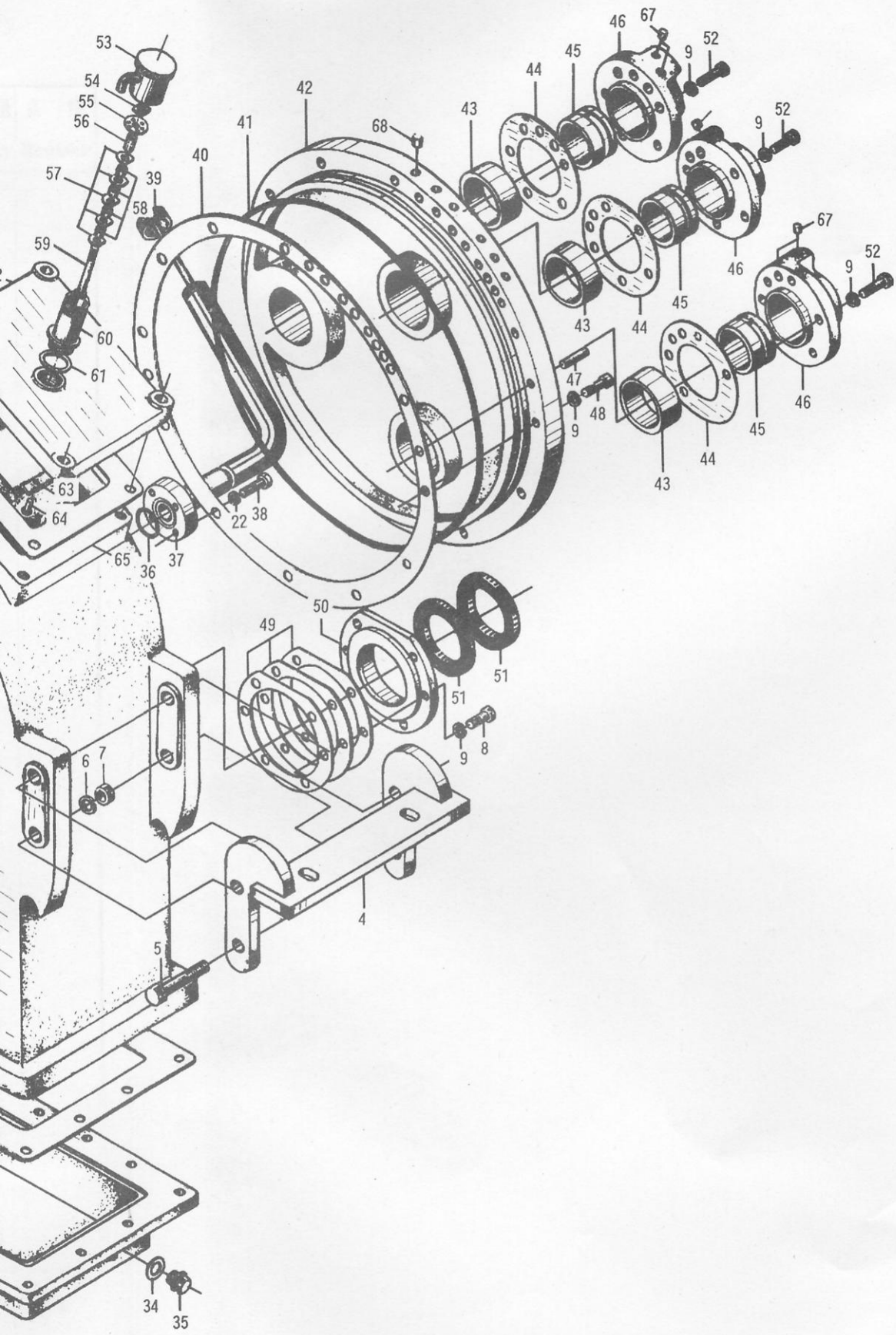


12. Z3G. 4. 3 主传动轴 Main Driving Shaft

标号 Sr. No.	零件代号 Part No.	名 称 Part Description	数量 Q'ty	备 注 Remark
1	22010408-1	突缘叉 Flange Yoke	2	
2	22010408-2	万向节总成 Universal Joint Assembly	2	
3	22010408-3	孔用弹性挡圈 Snap Ring	8	
4	Q70001	直通油嘴 Grease Fitting	3	
5	GB6181-86	螺母 M12 Nut	8	
6	GB97.1-85	垫圈 12 Washer	8	
7	GB93-87	垫圈 12 Lock Washer	8	
8	Z3.4-1	螺栓 M12×40 Bolt	8	
9	22010408-4	花键轴叉 Spline Shaft Yoke	1	
10	22010408-5	大卡环 Big Retainer Ring	1	
11	2201086	油封盖 Oil Seal Cap	1	
12	2201087	油封垫片 Oil Seal Washer	1	
13	2201088	油封 Oil Seal	1	
14	130-22010408	套管叉总成 Spline Yoke Assembly	1	
15	GB91-86	销 3.2×26 Pin	2	

13.Z3.6.00 变速箱箱体部件 Transmission Assembly





13. Z3. 6. 00 变速箱箱体部件 Transmission Assembly

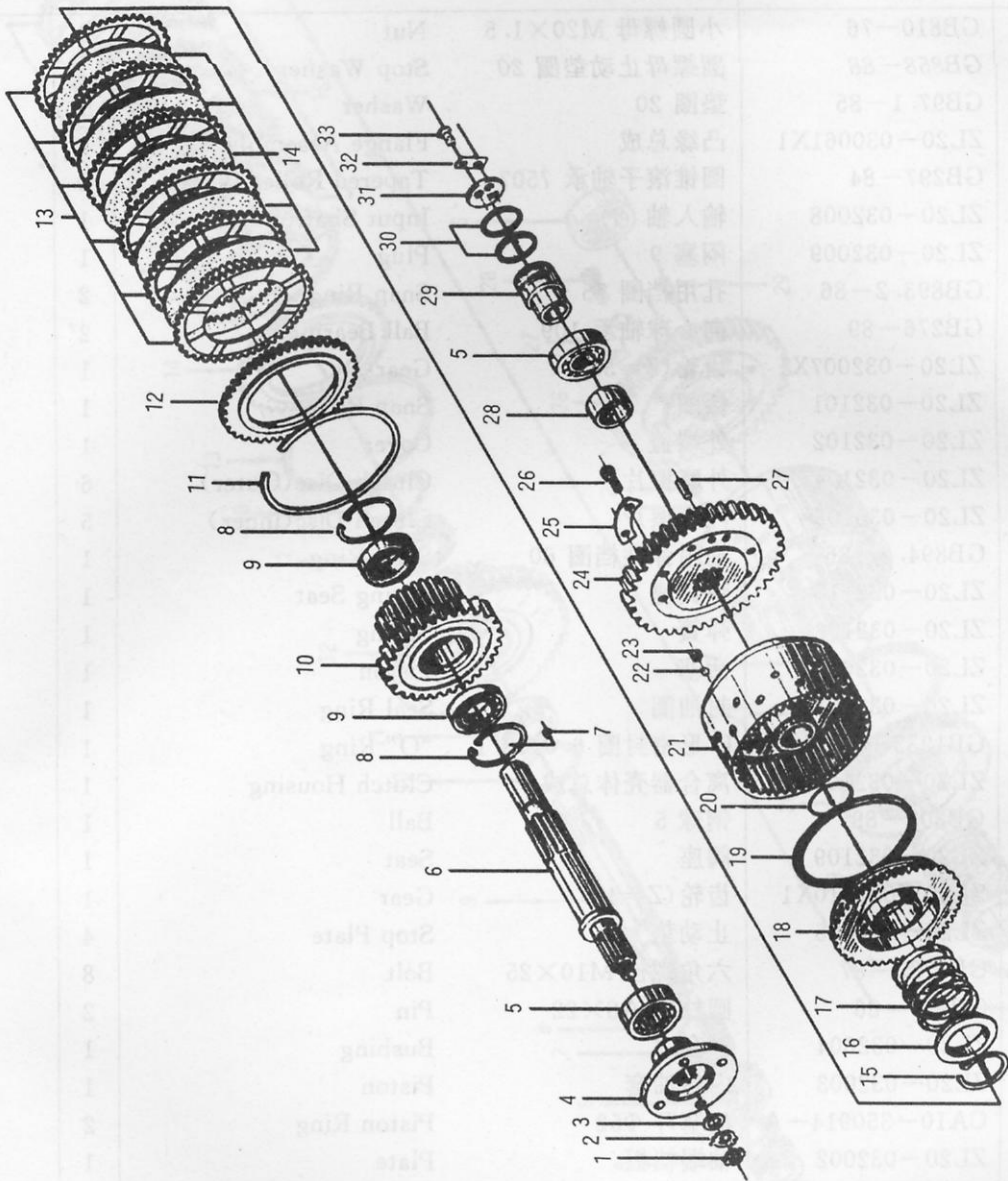
标号 Sr. No.	零件代号 Part No.	名 称 Part Description	数量 Q'ty	备 注 Remark
1	ZL20-03001	箱体 Body	1	
2	403091	铭牌 Decal	1	
3	GB827-86	标牌铆钉 2×6 Rivet	4	
4	ZL20-030057	支架 Support	2	
5	GB5783-86	六角螺栓 M16×75 Bolt	8	
6	GB93-87	弹簧垫圈 16 Lock Washer	8	
7	GB6170-86	六角螺母 M16 Nut	8	
8	GB5783-86	六角螺栓 M10×25 Bolt	18	
9	GB93-87	垫圈 10 Washer	57	
10	ZL20-030003	端盖 Cover	1	
11	ZL20-030002	纸垫 Paper Pad	2	
12	ZL20-030005	调整环 Plate	1	
13	ZL20-030006	调整螺丝 Set Screw	2	
14	GB5783-86	六角头螺栓 M6×6 Bolt	2	
15	ZL20-030004	止动片 Stop Plate	2	
16	ZL20-030008	输入轴端盖 Cover	1	
17	JB2600-80	油封 45×62×12 Oil Seal	1	
18	ZL20-030058	中间轴端盖 Cover	1	
19	ZL20-030025	纸垫 Paper Pad	1	
20	ZL20-030059	档油盖调整环 Plate	1	
21	GB6170-86	螺母 M8 Nut	6	
22	GB93-87	垫圈 8 Washer	14	
23	ZL20-030062-2W1X9	接头法兰 Flange	1	
24	ZL20-030062-4	垫片 Gasket	1	
25	WL-100×100-J	滤芯 Element	1	
26	GB5783-86	螺栓 M8×25 Bolt	6	
27	ZL20-030062-3W1	法兰接头 Housing	1	
28	GB5783-86	六角螺栓 M8×30 Bolt	4	
29	Q26-01	“O”形圈 50×4 “O” Ring	1	
30	ZL20-030020	密垫片 δ1 Gasket	1	
31	ZL20-034001	油底壳 Oil Pan	1	
32	ZL20-030007	吸油管 Tube	1	
33	ZL20-030043	永久磁铁 Permanent magnet	1	
34	ZL20-034004	垫圈 Washer	1	
35	Q20-01	螺塞 M20×1.5 Plug	1	
36	GB1235-76	“O”形圈 40×3.1 “O” Ring	1	
37	ZL20-037100	油管头 Coupling	1	

13. Z3. 6. 00 变速箱箱体部件 Transmission Assembly

标号 Sr. No.	零件代号 Part No.	名 称 Part Description	数量 Q'ty	备 注 Remark
38	GB5783-86	六角螺栓 M8×25 Bolt	4	
39	ZL20-037200	油管盖 Cap	1	
40	ZL20-030063	大端盖纸垫 Paper Gasket	1	
41	ZL20-030033	“O”形橡胶圈 Rubber “O” Ring	1	
42	ZL20-031000	大端盖 End Cover	1	
43	ZL20-030032	轴套 Sleeve	3	
44	ZL20-030031	垫片 Gasket	3	
45	ZL20-035002	外封轴套 Sleeve	3	
46	ZL20-035001	进油端盖 Cover	3	
47	GB119-86	定位销 A10×40 Pin	1	
48	GB70-85	圆柱内六角螺钉 M10×30 Screw	13	
49	ZL20-030022	输出轴调整垫片 Seal Gaskets	1 组	
50	ZL20-030026	前输出轴封油盖 End Cover	1	
51	HG4-335-66	油封 65×90×12 Oil Seal	2	
52	GB5783-86	六角头螺栓 M10×30 Bolt	35	
53	ZL20-030101	通风器盖 Cap	1	
54	GB39-88	方螺母 M6 Square Nut	1	
55	ZL20-030103	通风片 Plate	1	
56	ZL20-030105	铜套 Bushing	1	
57	ZL20-030106	迷宫片 Gasket	5	
58	ZL20-030107	铜隔套 Brass Spacer	4	
59	ZL20-030102	长螺丝 Stud	1	
60	ZL20-030109	壳体 Housing	1	
61	ZL20-030108	纸垫 Paper Pad	1	
62	ZL20-030039	箱盖 Cover	1	
63	ZL20-030060	档油盖 Oil plate	1	
64	GB867-86	半圆头铆钉 4×18 Rivet	4	
65	ZL20-030040	纸垫 0.5 Paper Pad	1	
66	GB5783-86	六角头螺栓 M10×35 Bolt	4	
67	Q21-34	闷塞 7 Plug	6	
68	ZL20-031005	闷塞 Plug	6	

14.Z3.6.1 变速箱输入轴总成 Input Shaft Assembly

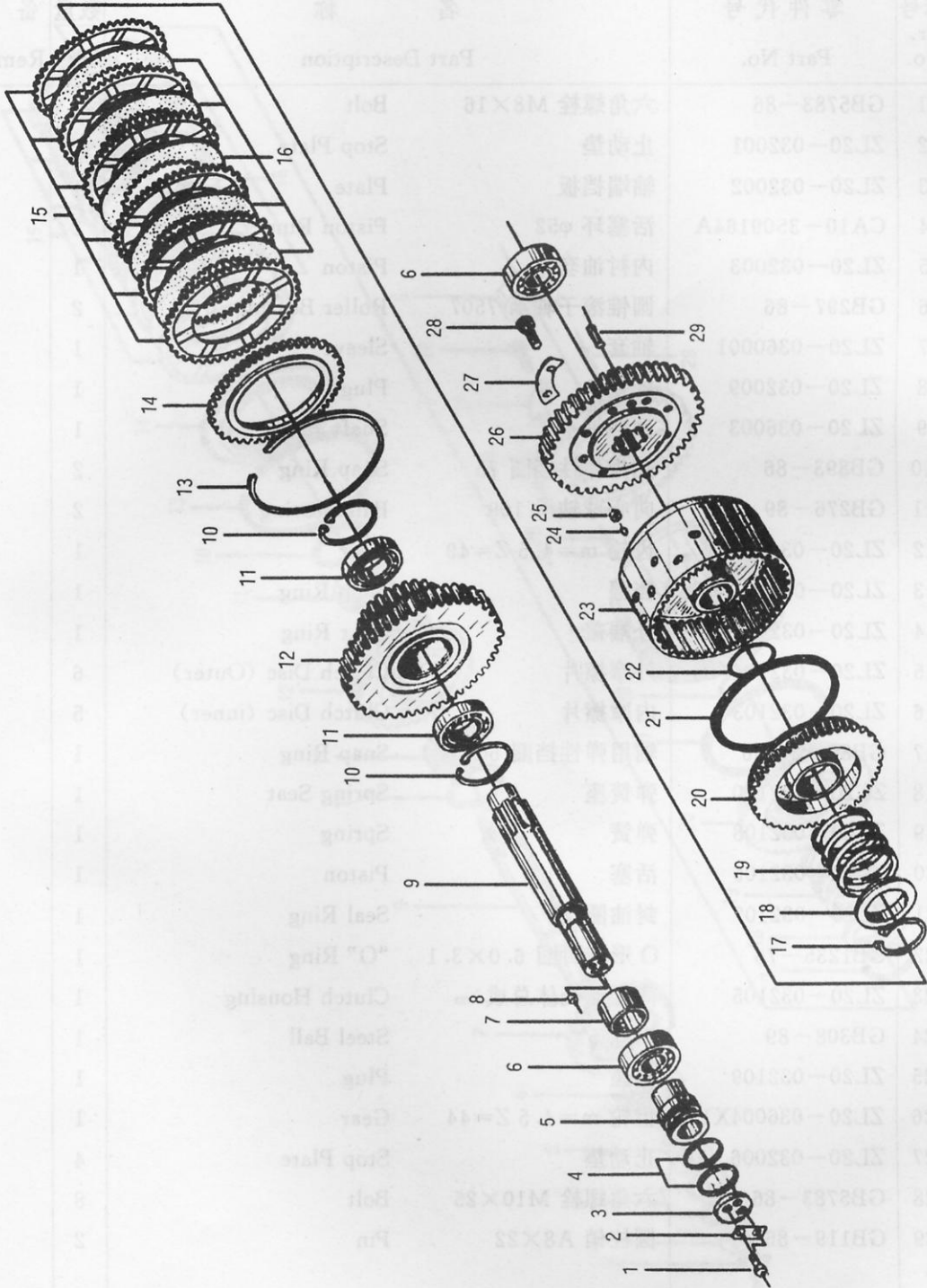
序号 No.	零件代号 Part No.	名称 Part Description	备注 Remark
1	GB810-76	小圆锥销 M20×L.8	
2	GB958-88	圆锥止动垫圈 20	
3	GB957-85	垫圈 20	
4	ZL30-03006/Z1	凸缘总成的	
5	GB957-84	圆锥滚子轴承 20	
6	ZL30-032008	输入轴	
7	ZL30-032009	键	
8	ZL30-032009	键	
9	GB953-85	圆锥滚子轴承 20	
10	GB953-85	圆锥滚子轴承 20	
11	ZL30-032007X	凸缘总成的	
12	ZL30-032101	凸缘总成的	
13	ZL30-032102	凸缘总成的	
14	ZL30-032102	凸缘总成的	
15	ZL30-032102	凸缘总成的	
16	ZL30-032102	凸缘总成的	
17	ZL30-032102	凸缘总成的	
18	ZL30-032102	凸缘总成的	
19	ZL30-032102	凸缘总成的	
20	ZL30-032102	凸缘总成的	
21	ZL30-032102	凸缘总成的	
22	ZL30-032102	凸缘总成的	
23	ZL30-032102	凸缘总成的	
24	ZL30-032102	凸缘总成的	
25	ZL30-032102	凸缘总成的	
26	ZL30-032102	凸缘总成的	
27	ZL30-032102	凸缘总成的	
28	ZL30-032102	凸缘总成的	
29	ZL30-032102	凸缘总成的	
30	ZL30-032102	凸缘总成的	
31	ZL30-032102	凸缘总成的	
32	ZL30-032102	凸缘总成的	
33	ZL30-032102	凸缘总成的	



14. Z3. 6. 1 变速箱输入轴总成 Input Shaft Assembly

标号 Sr. No.	零件代号 Part No.	名 称 Part Description	数量 Q'ty	备 注 Remark
1	GB810-76	小圆螺母 M20×1.5 Nut	1	
2	GB858-88	圆螺母止动垫圈 20 Stop Washer	1	
3	GB97.1-85	垫圈 20 Washer	1	
4	ZL20-030061X1	凸缘总成 Flange Assembly	1	
5	GB297-84	圆锥滚子轴承 7507 Tapered Roller Bearing	2	
6	ZL20-032008	输入轴 Input Shaft	1	
7	ZL20-032009	闷塞 9 Plug	1	
8	GB893.2-86	孔用档圈 75 Snap Ring	2	
9	GB276-89	向心球轴承 109 Ball Bearing	2	
10	ZL20-032007X1	齿轮 (Z=33) Gear	1	
11	ZL20-032101	档圈 Snap Ring	1	
12	ZL20-032102	外端盖 Cover	1	
13	ZL20-032104	外摩擦片 Clutch Disc(Outer)	6	
14	ZL20-030103	内摩擦片 Clutch Disc(inner)	5	
15	GB894.2-86	轴用弹性档圈 60 Snap Ring	1	
16	ZL20-032110	弹簧座 Spring Seat	1	
17	ZL20-032108	弹簧 Spring	1	
18	ZL20-032016	活塞 Piston	1	
19	ZL20-032107	封油圈 Seal Ring	1	
20	GB1235-76	O形密封圈 6.0×3.1 "O" Ring	1	
21	ZL20-032105	离合器壳体总成 Clutch Housing	1	
22	GB308-89	钢球 5 Ball	1	
23	ZL20-032109	阀座 Seat	1	
24	ZL20-032010X1	齿轮 (Z=46) Gear	1	
25	ZL20-032006	止动垫 Stop Plate	4	
26	GB5783-87	六角螺栓 M10×25 Bolt	8	
27	GB119-86	圆柱销 A8×22 Pin	2	
28	ZL20-032004	轴套 Bushing	1	
29	ZL20-032003	内封油套 Piston	1	
30	CA10-350914-A	活塞环 Φ52 Piston Ring	2	
31	ZL20-032002	轴端档板 Plate	1	
32	ZL20-032001	止动垫 Stop Plate	1	
33	GB5783-86	六角螺栓 M8×16 Bolt	2	

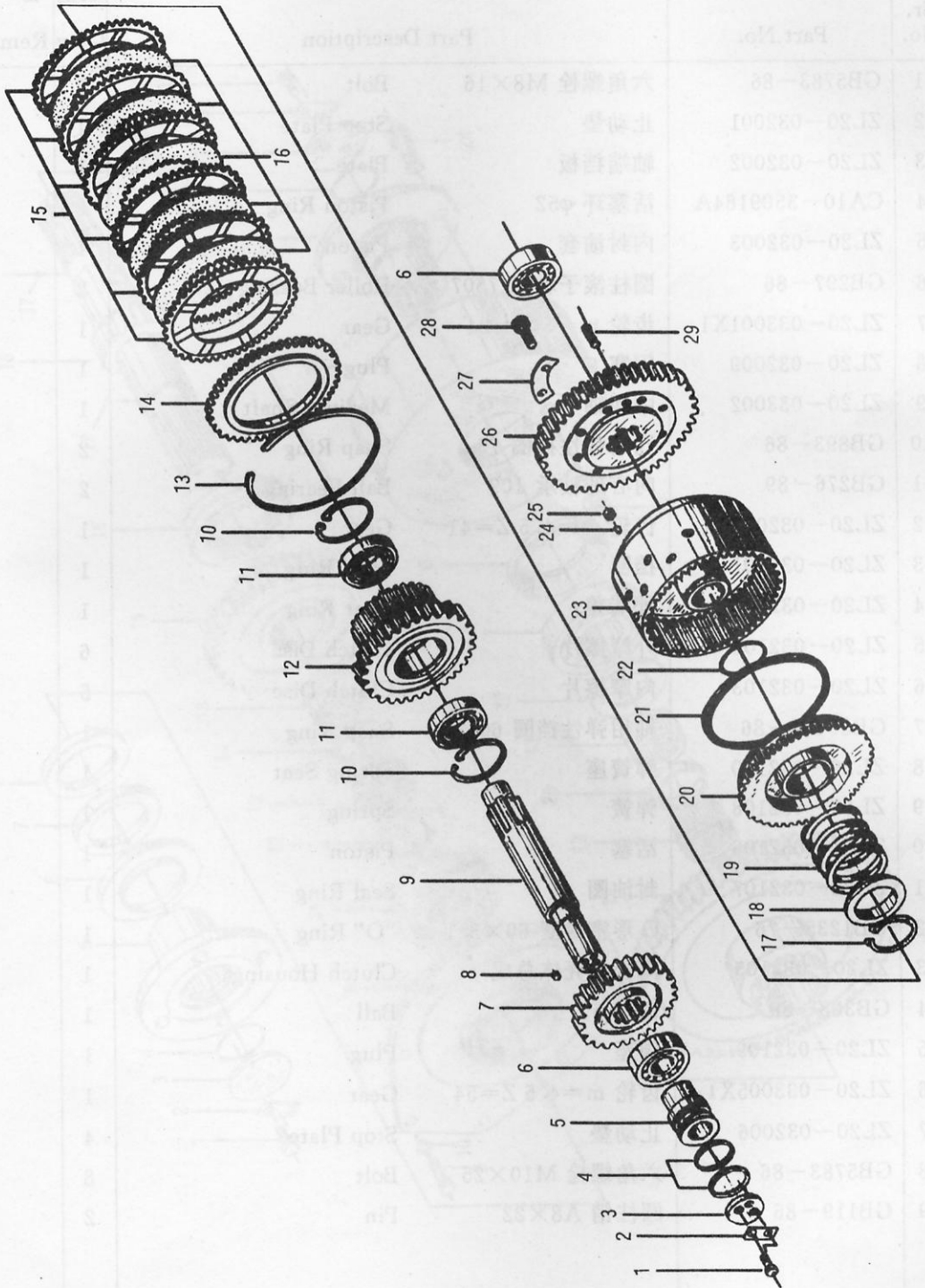
15. Z3. 6. 2 变速箱倒档轴总成 Reverse Shaft Assembly



15. Z3. 6. 2 变速箱倒档轴总成 Reverse Shaft Assembly

标号 Sr. No.	零件代号 Part No.	名 称 Part Description		数量 Q'ty	备 注 Remark
1	GB5783-86	六角螺栓 M8×16	Bolt	2	
2	ZL20-032001	止动垫	Stop Plate	1	
3	ZL20-032002	轴端档板	Plate	1	
4	CA10-3509164A	活塞环 φ52	Piston Ring	2	
5	ZL20-032003	内衬油套	Piston	1	
6	GB297-86	圆锥滚子轴承 7507	Roller Bearing	2	
7	ZL20-0360001	轴套	Sleeve	1	
8	ZL20-032009	闷塞 9	Plug	1	
9	ZL20-036003	倒档轴	Shaft	1	
10	GB893-86	孔用弹性档圈 75	Snap Ring	2	
11	GB276-89	向心球轴承 109	Ball Bearing	2	
12	ZL20-036002X1	齿轮 m=4.5 Z=49	Gear	1	
13	ZL20-032101	档圈	Snap Ring	1	
14	ZL20-032102	外端盖	Gear Ring	1	
15	ZL20-032104	外摩擦片	Clutch Disc (Outer)	6	
16	ZL20-032103	内摩擦片	Clutch Disc (inner)	5	
17	GB894.2-86	轴用弹性挡圈 60	Snap Ring	1	
18	ZL20-032110	弹簧座	Spring Seat	1	
19	ZL20-032108	弹簧	Spring	1	
20	ZL20-032106	活塞	Piston	1	
21	ZL20-032107	封油圈	Seal Ring	1	
22	GB1235-76	O形密封圈 6.0×3.1	"O" Ring	1	
23	ZL20-032105	离合器壳体总成	Clutch Housing	1	
24	GB308-89	钢球 5	Steel Ball	1	
25	ZL20-032109	阀座	Plug	1	
26	ZL20-036004X1	齿轮 m=4.5 Z=44	Gear	1	
27	ZL20-032006	止动垫	Stop Plate	4	
28	GB5783-86	六角螺栓 M10×25	Bolt	8	
29	GB119-86	圆柱销 A8×22	Pin	2	

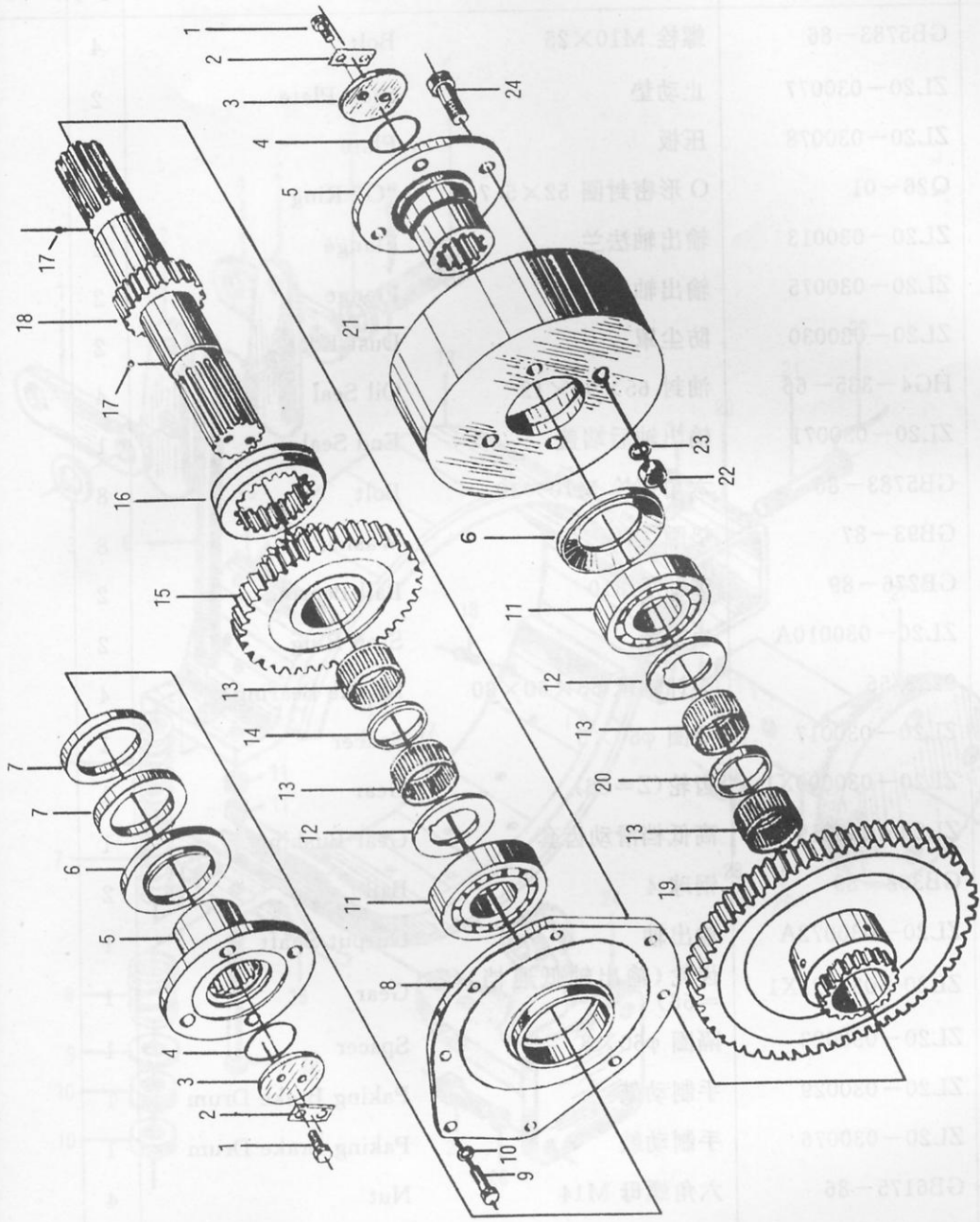
16. Z3. 6.3 变速箱中间轴总成 Medium Shaft Assembly



16.Z3.6.3 变速箱中间轴总成 Medium Shaft Assembly

标号 Sr. No.	零件代号 Part No.	名称 Part Description		数量 Q'ty	备注 Remark
1	GB5783-86	六角螺栓 M8×16	Bolt	2	
2	ZL20-032001	止动垫	Stop Plate	1	
3	ZL20-032002	轴端挡板	Plate	1	
4	CA10-3509164A	活塞环 φ52	Piston Ring	2	
5	ZL20-032003	内封油套	Piston	1	
6	GB297-86	圆柱滚子轴承 7507	Roller Bearing	2	
7	ZL20-033001X1	齿轮 m=5, Z=24	Gear	1	
8	ZL20-032009	闷塞 9	Plug	1	
9	ZL20-033002	中间轴	Medium Shaft	1	
10	GB893-86	孔用弹性挡圈 75	Snap Ring	2	
11	GB276-89	向心球轴承 109	Ball Bearing	2	
12	ZL20-032004X1	齿轮 m=4.5 Z=41	Gear	1	
13	ZL20-032101	挡圈	Snap Ring	1	
14	ZL20-032102	外端盖	Gear Ring	1	
15	ZL20-032104	外摩擦片	Clutch Disc	6	
16	ZL20-032103	内摩擦片	Clutch Disc	5	
17	GB894.2-86	轴用弹性挡圈 60	Snap Ring	1	
18	ZL20-032110	弹簧座	Spring Seat	1	
19	ZL20-032108	弹簧	Spring	1	
20	ZL20-032106	活塞	Piston	1	
21	ZL20-032107	封油圈	Seal Ring	1	
22	GB1235-76	O形密封圈 60×3.1	"O" Ring	1	
23	ZL20-032105	离合器壳体总成	Clutch Housing	1	
24	GB308-89	钢球 5	Ball	1	
25	ZL20-032109	阀座	Plug	1	
26	ZL20-033005X1	齿轮 m=4.5 Z=54	Gear	1	
27	ZL20-032006	止动垫	Stop Plate	4	
28	GB5783-86	六角螺栓 M10×25	Bolt	8	
29	GB119-86	圆柱销 A8×22	Pin	2	

17.Z3.6.4 变速箱输出轴总成 Output Shaft Assembly

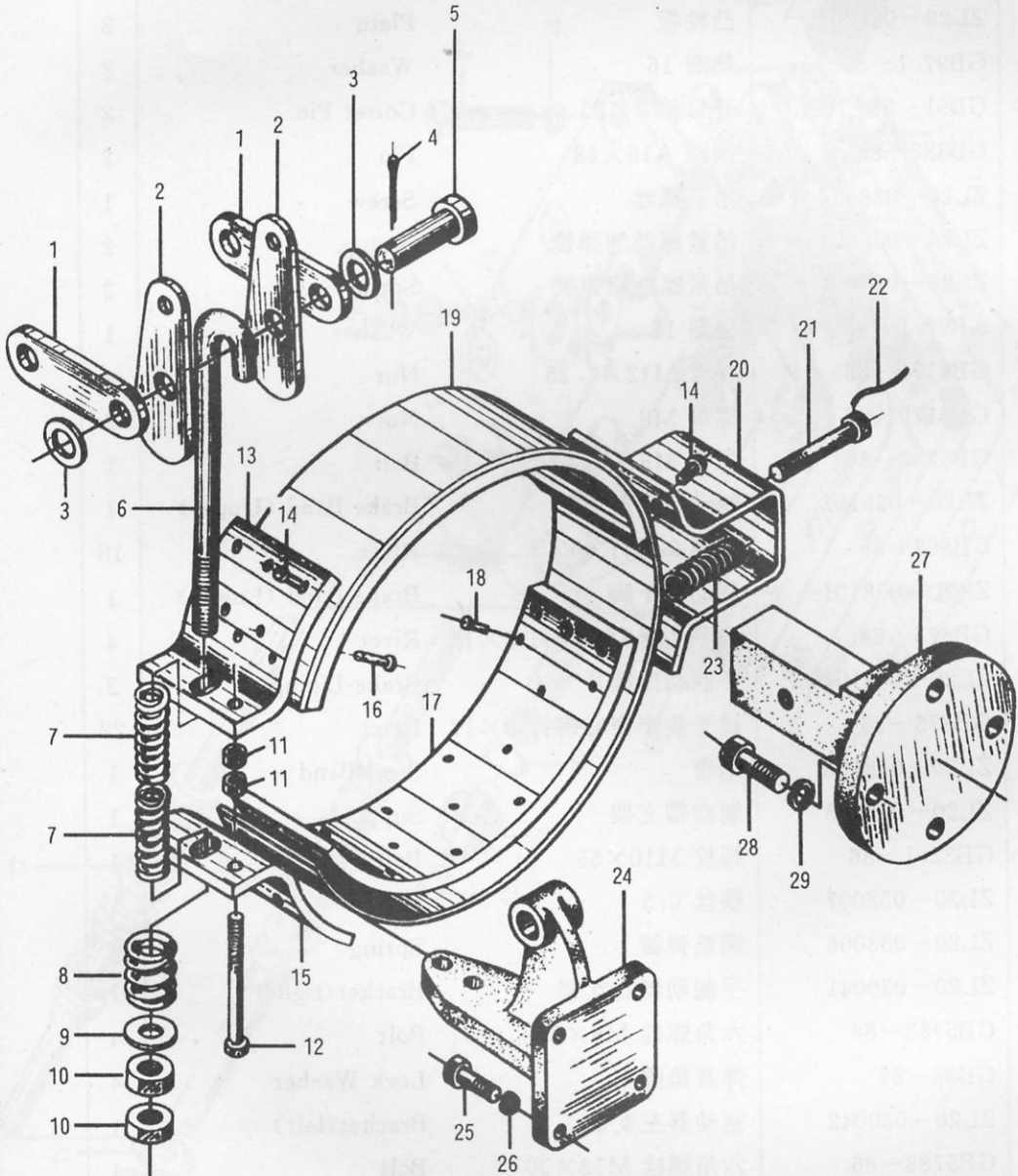


序号	零件代号	数量	名称
1	GB5783-86	1	销
2	ZL30-030077	1	止动垫圈
3	ZL30-020078	1	压板
4	GB6170	1	螺母
5	ZL30-030013	1	输出轴壳
6	ZL30-030015	1	输出轴
7	ZL30-030010	1	输出轴壳
8	ZL30-030011	1	输出轴壳
9	ZL30-030012	1	输出轴壳
10	GB5783-86	1	销
11	GB5783-86	1	销
12	ZL30-030014	1	输出轴壳
13	ZL30-030015	1	输出轴壳
14	ZL30-030016	1	输出轴壳
15	ZL30-030017	1	输出轴壳
16	ZL30-030018	1	输出轴壳
17	ZL30-030019	1	输出轴壳
18	ZL30-030020	1	输出轴壳
19	ZL30-030021	1	输出轴壳
20	ZL30-030022	1	输出轴壳
21	ZL30-030023	1	输出轴壳
22	ZL30-030024	1	输出轴壳
23	ZL30-030025	1	输出轴壳
24	ZL30-030026	1	输出轴壳

17. Z3. 6. 4 变速箱输出轴总成 Output Shaft Assembly

标号 Sr. No.	零件代号 Part No.	名 称 Part Description	数量 Q'ty	备 注 Remark
1	GB5783-86	螺栓 M10×25 Bolt	4	
2	ZL20-030077	止动垫 Stop Plate	2	
3	ZL20-030078	压板 Plate	2	
4	Q26-01	O形密封圈 52×5.7 "O" Ring	2	
5	ZL20-030013	输出轴法兰 Flange	2	
	ZL20-030075	输出轴法兰 Flange	2	
6	ZL20-030030	防尘罩 Dust Boot	2	
7	HG4-335-66	油封 65×90×12 Oil Seal	4	
8	ZL20-030071	输出轴后端盖 End Seal	1	
9	GB5783-86	六角螺栓 M10×30 Bolt	8	
10	GB93-87	垫圈 10 Washer	8	
11	GB276-89	球轴承 310 Ball Bearing	2	
12	ZL20-030010A	止推环 Stop Ring	2	
13	9243/55	滚针轴承 55×60×30 Needle Bearing	4	
14	ZL20-030017	隔圈 φ60×5 Spacer	1	
15	ZL20-030009X1	齿轮 (Z=36) Gear	1	
16	ZL20-030019	高低档滑动齿套 Gear Bushing	1	
17	GB308-89	钢球 4 Ball	2	
18	ZL20-030072A	输出轴 Output Shaft	1	
19	ZL20-030021X1	齿轮 (输出轴低速档) (Z=56) Gear	1	
20	ZL20-030023	隔圈 φ60×3 Spacer	1	
21	ZL20-030029	手制动鼓 Paking Brake Drum	1	
	ZL20-030076	手制动鼓 Paking Brake Drum	1	
22	GB6175-86	六角螺母 M14 Nut	4	
23	GB93-89	弹簧垫圈 14 Lock Washer	4	
24	GB5783-86	六角头螺栓 M14×40 Bolt	4	

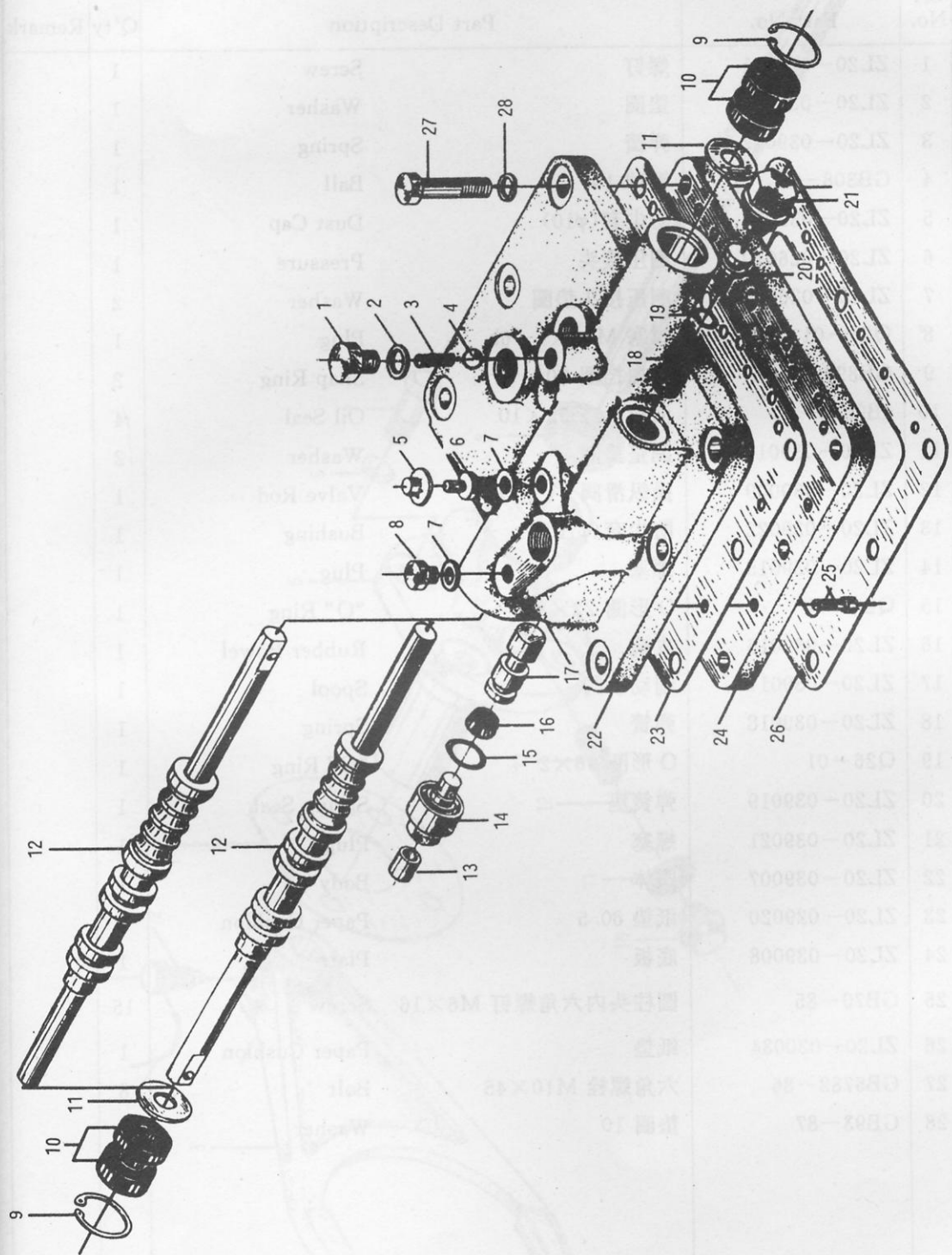
18. Z3. 6. 4. 1 变速箱手制动总成 Parking Brake Assembly



18. Z3. 6. 4. 1 变速箱手制动总成 Parking Brake Assembly

标号 Sr. No.	零件代号 Part No.	名 称 Part Description	数量 Q'ty	备 注 Remark
1	ZL20-038005	手制动连接板 Plate	2	
2	ZL20-038003	凸轮板 Plate	2	
3	GB97.1-85	垫圈 16 Washer	2	
4	GB91-86	开口销 3×25 Cotter Pin	2	
5	GB882-86	销轴 A16×48 Pin	2	
6	ZL20-038004	吊紧螺丝 Screw	1	
7	ZL20-038002	吊紧螺丝细弹簧 Spring	2	
8	ZL20-038001	吊紧螺丝粗弹簧 Spring	2	
9	GB97.1-85	垫圈 12 Washer	1	
10	GB6171-86	螺母 M12×1.25 Nut	2	
11	GB6170-86	螺母 M8 Nut	2	
12	GB5783-86	螺栓 M8×75 Bolt	1	
13	ZL20-038102	制动带上脚 Brake Band (Upper)	1	
14	GB867-86	半圆头铆钉 6×12 Rivet	18	
15	ZL20-038101	制动带下脚 Brake Band (Lower)	1	
16	GB875-86	扁平头半空心铆钉 5×12 Rivet	4	
17	ZL20-038104	手制动摩擦片 Brake Lining	2	
18	GB875-86	扁平头半空心铆钉 5×17 Rivet	22	
19	ZL20-038103	钢带 Steel Band	1	
20	ZL20-038105	制动带支架 Support	1	
21	GB32.1-86	螺栓 M10×55 Bolt	1	
22	ZL20-038007	铁丝 0.5 Wire	1	
23	ZL20-038006	调整弹簧 Spring	1	
24	ZL20-030041	手制动器右支架 Bracket(right)	1	
25	GB5783-86	六角螺栓 M8×25 Bolt	4	
26	GB93-87	弹簧垫圈 8 Lock Washer	4	
27	ZL20-030042	制动器左支架 Bracket(left)	1	
28	GB5783-86	六角螺栓 M12×30 Bolt	4	
29	GB93-87	弹簧垫圈 12 Lock Washer	4	

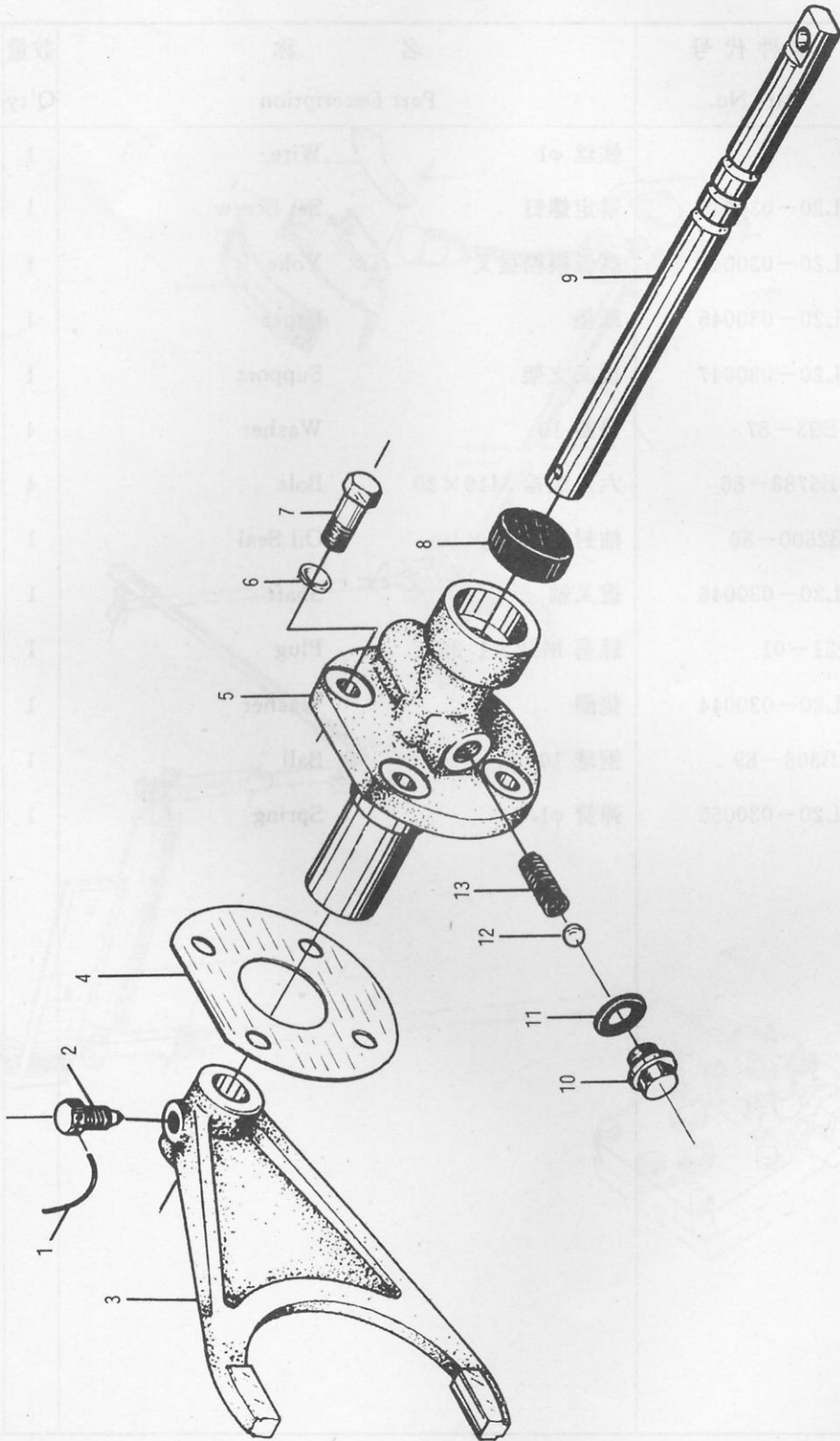
19. Z3. 6. 6 变速箱操纵阀总成 Transmission Control Valve Assembly



19. Z3. 6. 6 变速箱操纵阀总成 Transmission Control Valve Assembly

标号 Sr. No.	零件代号 Part No.	名 称 Part Description	数量 Q'ty	备注 Remarks
1	ZL20-039011	螺钉 Screw	1	
2	ZL20-039013	垫圈 Washer	1	
3	ZL20-039012	弹簧 Spring	1	
4	GB308-89	钢球 10 Ball	1	
5	ZL20-039023	防尘套(φ10) Dust Cap	1	
6	ZL20-026010	测压接头 Pressure	1	
7	ZL20-026009	测压接头垫圈 Washer	2	
8	Q20-01	螺塞 M10×1-6h Plug	1	
9	GB893.2-86	孔用挡圈 30 Snap Ring	2	
10	JB2600-80	油封 14×30×10 Oil Seal	4	
11	ZL20-039010	调整垫圈 Washer	2	
12	ZL20-039009	操纵滑阀 Valve Rod	1	
13	ZL20-039022	防尘套(φ10) Bushing	1	
14	ZL20-039015	螺塞 Plug	1	
15	Q26-01	O 形圈 22×2.5 "O" Ring	1	
16	ZL20-039016	皮碗 Rubber Bowel	1	
17	ZL20-039017	制动滑阀 Spool	1	
18	ZL20-039018	弹簧 Spring	1	
19	Q26-01	O 形圈 16×2 "O" Ring	1	
20	ZL20-039019	弹簧座 Spring Seat	1	
21	ZL20-039021	螺塞 Plug	1	
22	ZL20-039007	阀体 Body	1	
23	ZL20-029020	纸垫 δ0.5 Paper Cushion	1	
24	ZL20-039008	底板 Plate	1	
25	GB70-85	圆柱头内六角螺钉 M6×16 Screw	15	
26	ZL20-030034	纸垫 Paper Cushion	1	
27	GB5782-86	六角螺栓 M10×45 Bolt	8	
28	GB93-87	垫圈 10 Washer	8	

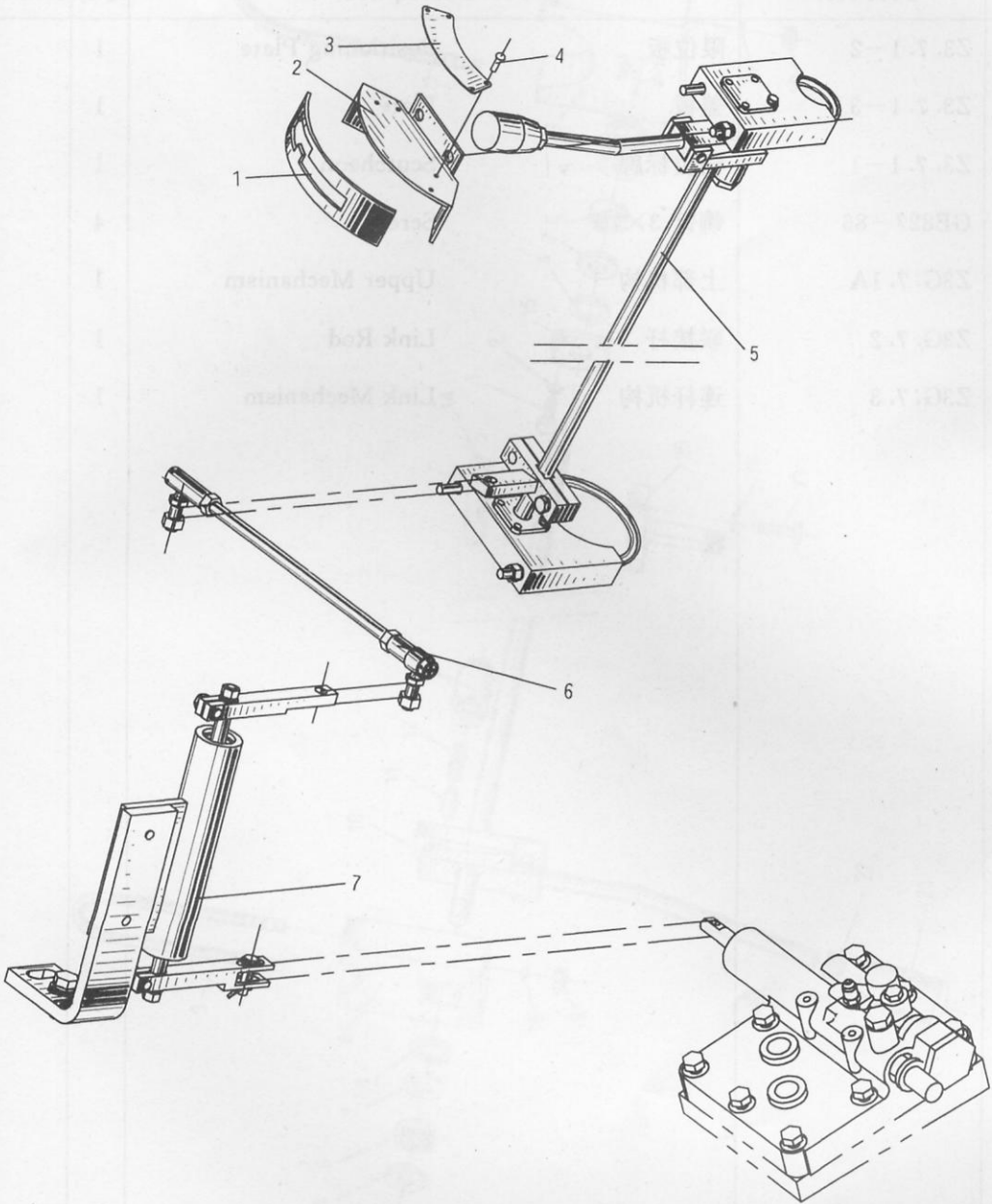
20.Z3.6.9 变速箱高低档拨叉机构 Yoke Assembly



20.Z3.6.9 变速箱高低档拨叉机构 Yoke Assembly

标号 Sr. No.	零件代号 Part No.	名 称 Part Description	数量 Q'ty	备 注 Remark
1		铁丝 φ1 Wire	1	
2	ZL20-030049	紧定螺钉 Set Screw	1	
3	ZL20-030048	高低换挡拨叉 Yoke	1	
4	ZL20-030045	纸垫 Paper	1	
5	ZL20-030047	拨叉支架 Support	1	
6	GB93-87	垫圈 10 Washer	4	
7	GB5783-86	六角螺栓 M10×30 Bolt	4	
8	JB2600-80	油封 18×35×10 Oil Seal	1	
9	ZL20-030046	拨叉轴 Shaft	1	
10	Q21-01	螺塞 M12×1.25 Plug	1	
11	ZL20-030044	垫圈 Washer	1	
12	GB308-89	钢球 10 Ball	1	
13	ZL20-030055	弹簧 φ1.6 Spring	1	

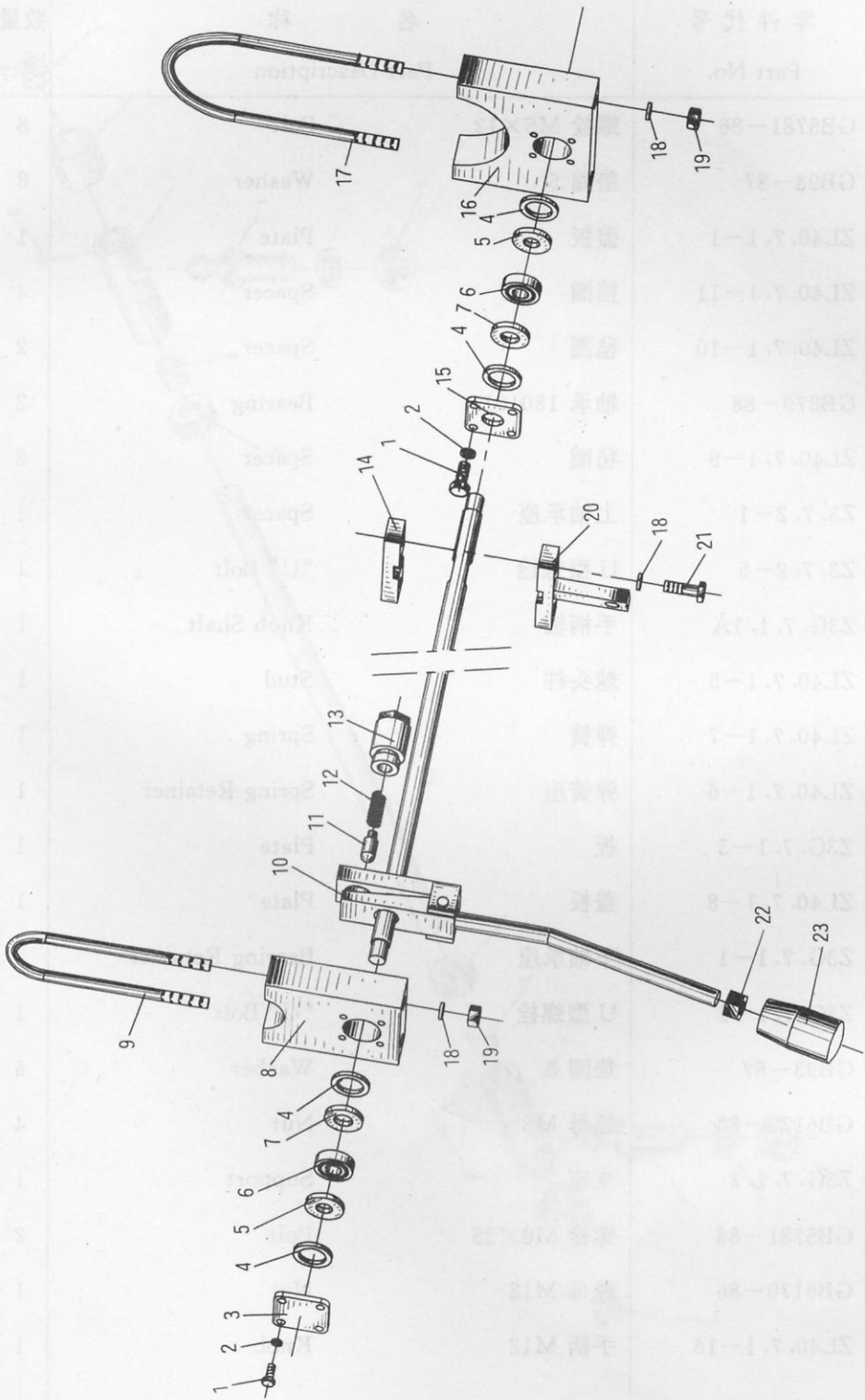
21. Z3G. 7A 变速操纵 Transmission Propulsion



21. Z3G. 7A 变速操纵 Transmission Propulsion

标号 Sr. No.	零件代号 Part No.	名 称 Part Description		数量 Q'ty	备 注 Remark
1	Z3. 7. 1-2	限位板	Positioning Plate	1	
2	Z3. 7. 1-3	盖板	Plate	1	
3	Z3. 7. 1-1	档位标牌	Scutcheon	1	
4	GB827-86	铆钉 3×10	Screw	4	
5	Z3G. 7. 1A	上部机构	Upper Mechanism	1	
6	Z3G. 7. 2	联接杆	Link Rod	1	
7	Z3G. 7. 3	连杆机构	Link Mechanism	1	

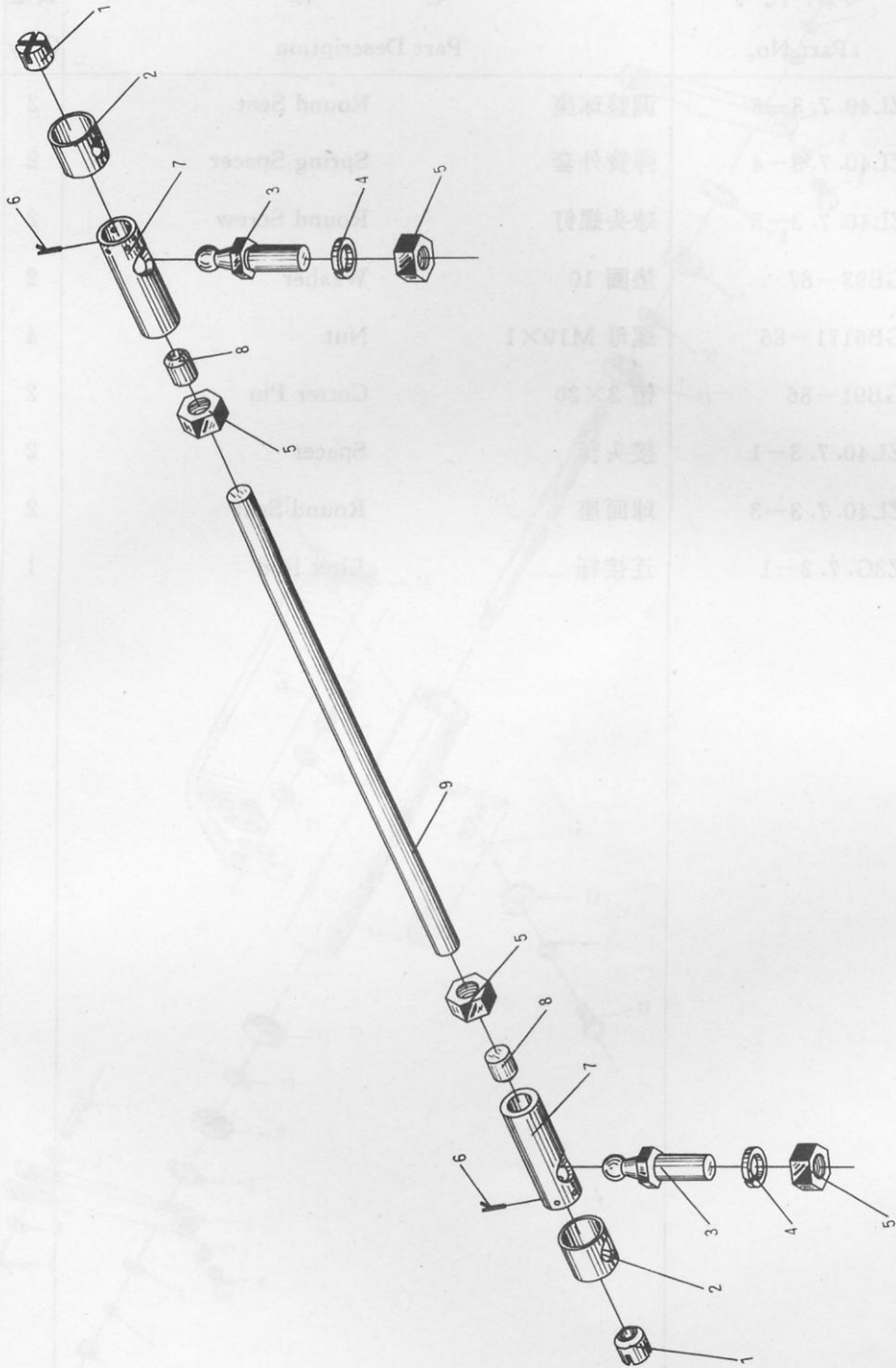
22. Z3G. 7. 1A 上部机构 Upper Mechanism



22. Z3G. 7. 1A 上部机构 Upper Mechanism

标号 Sr. No.	零件代号 Part No.	名 称 Part Description	数量 Q'ty	备注 Remarks
1	GB5781-86	螺栓 M5×12 Bolt	8	
2	GB93-87	垫圈 5 Washer	8	
3	ZL40. 7. 1-1	盖板 Plate	1	
4	ZL40. 7. 1-11	挡圈 Spacer	4	
5	ZL40. 7. 1-10	毡圈 Spacer	2	
6	GB279-88	轴承 180101 Bearing	2	
7	ZL40. 7. 1-9	毡圈 Spacer	2	
8	Z3. 7. 2-1	上轴承座 Spacer	1	
9	Z3. 7. 2-5	U 型螺栓 "U" Bolt	1	
10	Z3G. 7. 1. 1A	手柄轴 Knob Shaft	1	
11	ZL40. 7. 1-5	球头柱 Stud	1	
12	ZL40. 7. 1-7	弹簧 Spring	1	
13	ZL40. 7. 1-6	弹簧座 Spring Retainer	1	
14	Z3G. 7. 1-3	板 Plate	1	
15	ZL40. 7. 1-8	盖板 Plate	1	
16	Z3G. 7. 1-1	下轴承座 Bearing Retainer	1	
17	Z3G. 7. 1-2	U 型螺栓 "U" Bolt	1	
18	GB93-87	垫圈 8 Washer	6	
19	GB6170-86	螺母 M8 Nut	4	
20	Z3G. 7. 1. 2	支座 Support	1	
21	GB5781-86	螺栓 M8×25 Bolt	2	
22	GB6170-86	螺母 M12 Nut	1	
23	ZL40. 7. 1-16	手柄 M12 Knob	1	

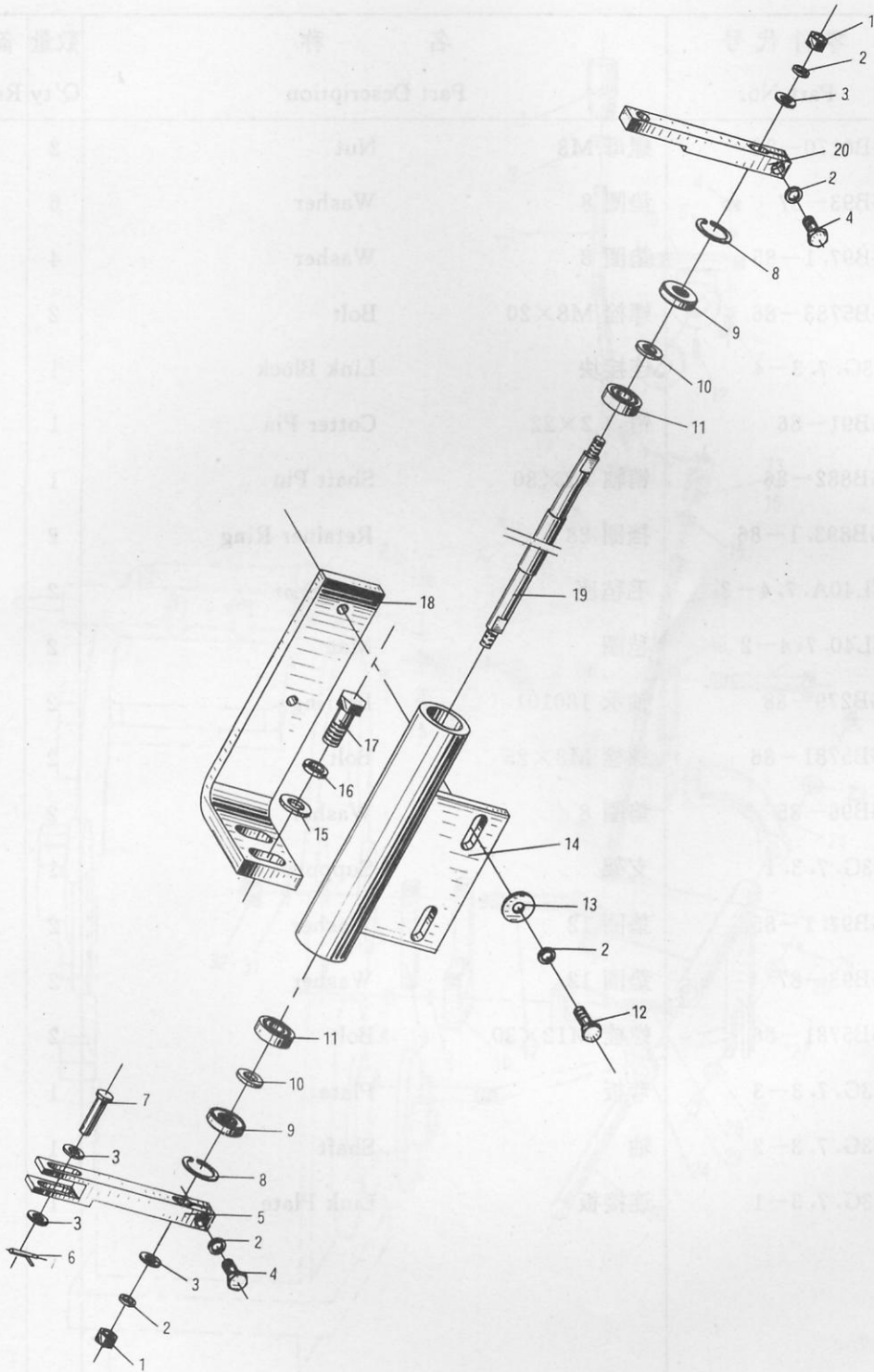
23. Z3G. 7. 2 联接杆 Link Rod



23. Z3G. 7. 2 联接杆 Link Rod

标号 Sr. No.	零件代号 Part No.	名 称 Part Description	数量 Q'ty	备 注 Remark
1	ZL40. 7. 3-6	调整球座 Round Seat	2	
2	ZL40. 7. 3-4	弹簧外套 Spring Spacer	2	
3	ZL40. 7. 3-5	球头螺钉 Round Screw	2	
4	GB93-87	垫圈 10 Washer	2	
5	GB6171-86	螺母 M10×1 Nut	4	
6	GB91-86	销 2×20 Cotter Pin	2	
7	ZL40. 7. 3-1	接头套 Spacer	2	
8	ZL40. 7. 3-3	球面座 Round Seat	2	
9	Z3G. 7. 2-1	连接杆 Link Rod	1	

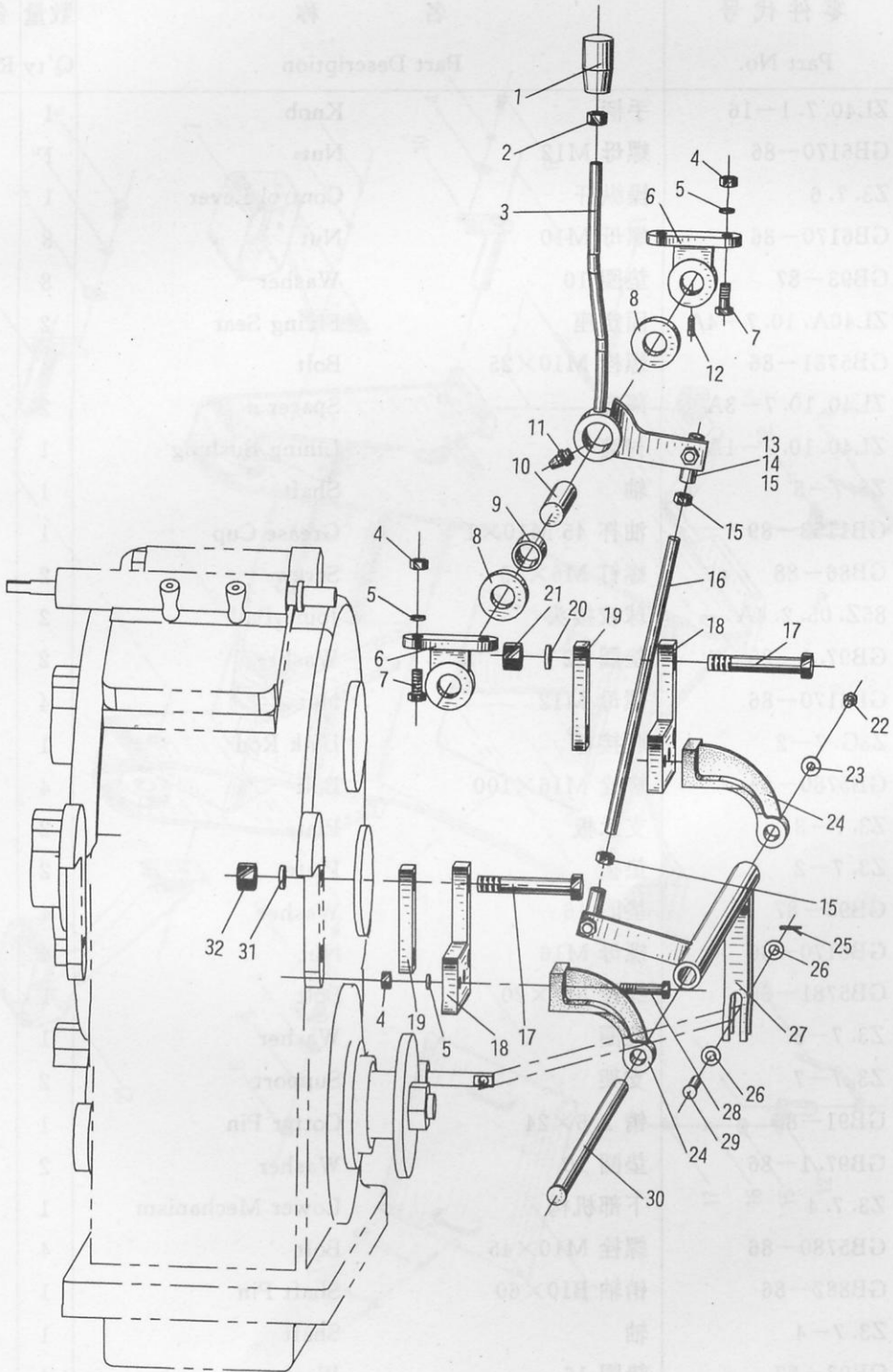
24. Z3G. 7.3 连杆机构 Link Mechanism



24. Z3G. 7. 3 连杆机构 Link Mechanism

标号 Sr. No.	零件代号 Part No.	名 称 Part Description		数量 Q'ty	备注 Remark
1	GB6170-86	螺母 M8	Nut	2	
2	GB93-87	垫圈 8	Washer	6	
3	GB97.1-85	垫圈 8	Washer	4	
4	GB5783-86	螺栓 M8×20	Bolt	2	
5	Z3G. 7. 3-4	连接块	Link Block	1	
6	GB91-86	销 3.2×22	Cotter Pin	1	
7	GB882-86	销轴 B8×30	Shaft Pin	1	
8	GB893.1-86	挡圈 28	Retainer Ring	2	
9	ZL40A. 7. 4-3	毛毡座	Mat Seat	2	
10	ZL40. 7. 4-2	毡圈	Mat	2	
11	GB279-88	轴承 180101	Bearing	2	
12	GB5781-86	螺栓 M8×25	Bolt	2	
13	GB96-85	垫圈 8	Washer	2	
14	Z3G. 7. 3. 1	支架	Support	1	
15	GB97.1-85	垫圈 12	Washer	2	
16	GB93-87	垫圈 12	Washer	2	
17	GB5781-86	螺栓 M12×30	Bolt	2	
18	Z3G. 7. 3-3	弯板	Plate	1	
19	Z3G. 7. 3-2	轴	Shaft	1	
20	Z3G. 7. 3-1	连接板	Link Plate	1	

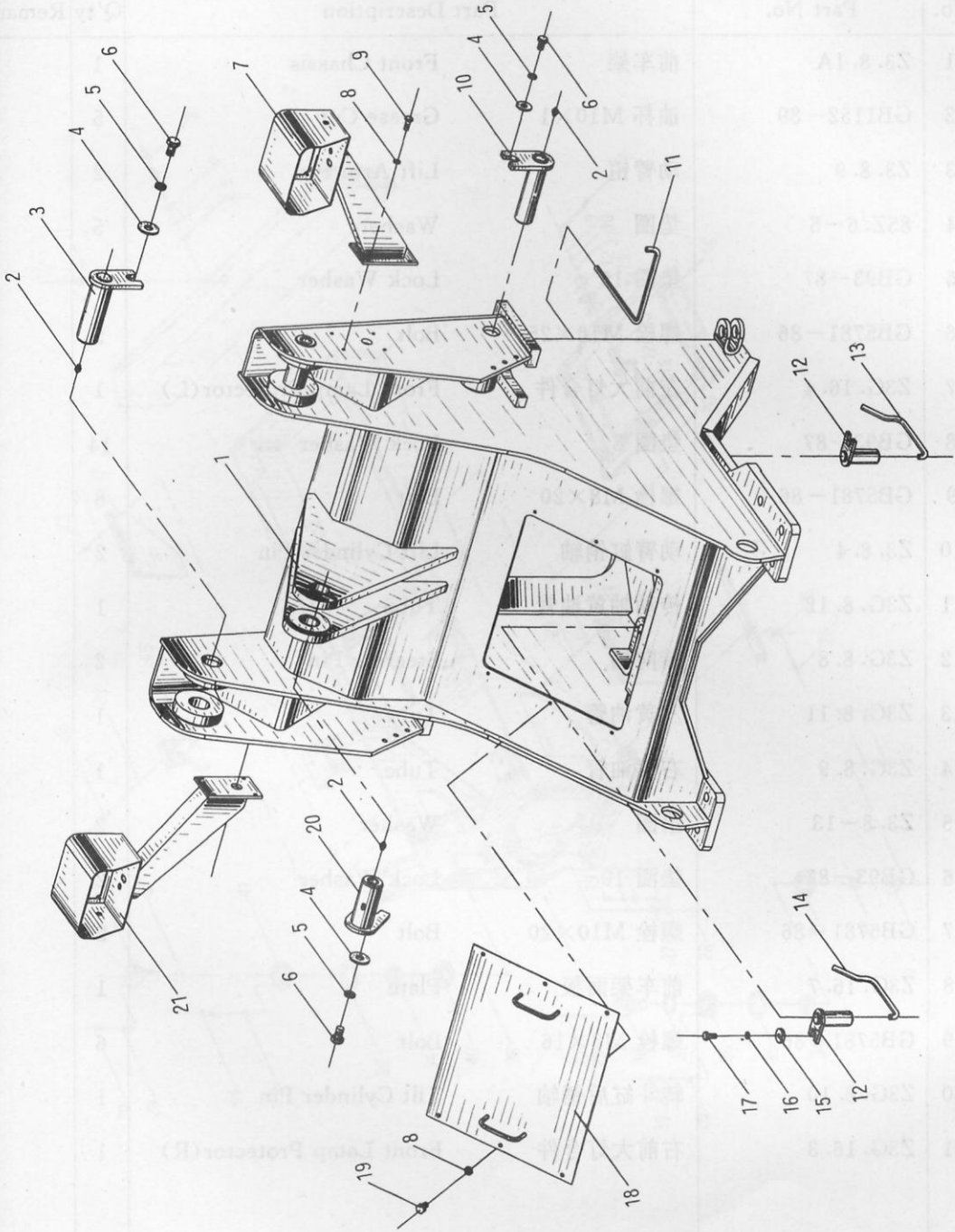
25. Z3G. 7A 高低速操纵 Shift Control



25. Z3G. 7A 高低速操纵 Shift Control

标号 Sr. No.	零件代号 Part No.	名 称 Part Description	数量 Q'ty	备 注 Remark
1	ZL40. 7. 1-16	手柄 Knob	1	
2	GB6170-86	螺母 M12 Nut	1	
3	Z3. 7. 6	操纵杆 Control Lever	1	
4	GB6170-86	螺母 M10 Nut	8	
5	GB93-87	垫圈 10 Washer	8	
6	ZL40A. 10. 7-4A	固定座 Fixing Seat	2	
7	GB5781-86	螺栓 M10×25 Bolt	4	
8	ZL40. 10. 7-3A	隔套 Spacer	2	
9	ZL40. 10. 7-1A	衬套 Lining Bushing	1	
10	Z3. 7-5	轴 Shaft	1	
11	GB1153-89	油杯 45 M10×1 Grease Cup	1	
12	GB86-88	螺钉 M6×16 Screw	2	
13	85Z. 05. 2. 4A	球铰接头 Joint, Ball	2	
14	GB97. 1-85	垫圈 12 Washer	2	
15	GB6170-86	螺母 M12 Nut	4	
16	Z3G. 7-2	联接杆 Link Rod	1	
17	GB5780-86	螺栓 M16×100 Bolt	4	
18	Z3. 7-3	支承板 Plate	2	
19	Z3. 7-2	垫板 Plate	2	
20	GB93-87	垫圈 16 Washer	4	
21	GB6170-86	螺母 M16 Nut	4	
22	GB5781-86	螺栓 M8×20 Bolt	1	
23	Z3. 7-8	垫圈 Washer	1	
24	Z3. 7-7	支架 Support	2	
25	GB91-86	销 2.5×24 Cotter Pin	1	
26	GB97. 1-86	垫圈 10 Washer	2	
27	Z3. 7. 4	下部机构 Lower Mechanism	1	
28	GB5780-86	螺栓 M10×45 Bolt	4	
29	GB882-86	销轴 B10×60 Shaft Pin	1	
30	Z3. 7-4	轴 Shaft	1	
31	GB93-87	垫圈 16 Washer	4	
32	GB6170-86	螺母 M16 Nut	4	

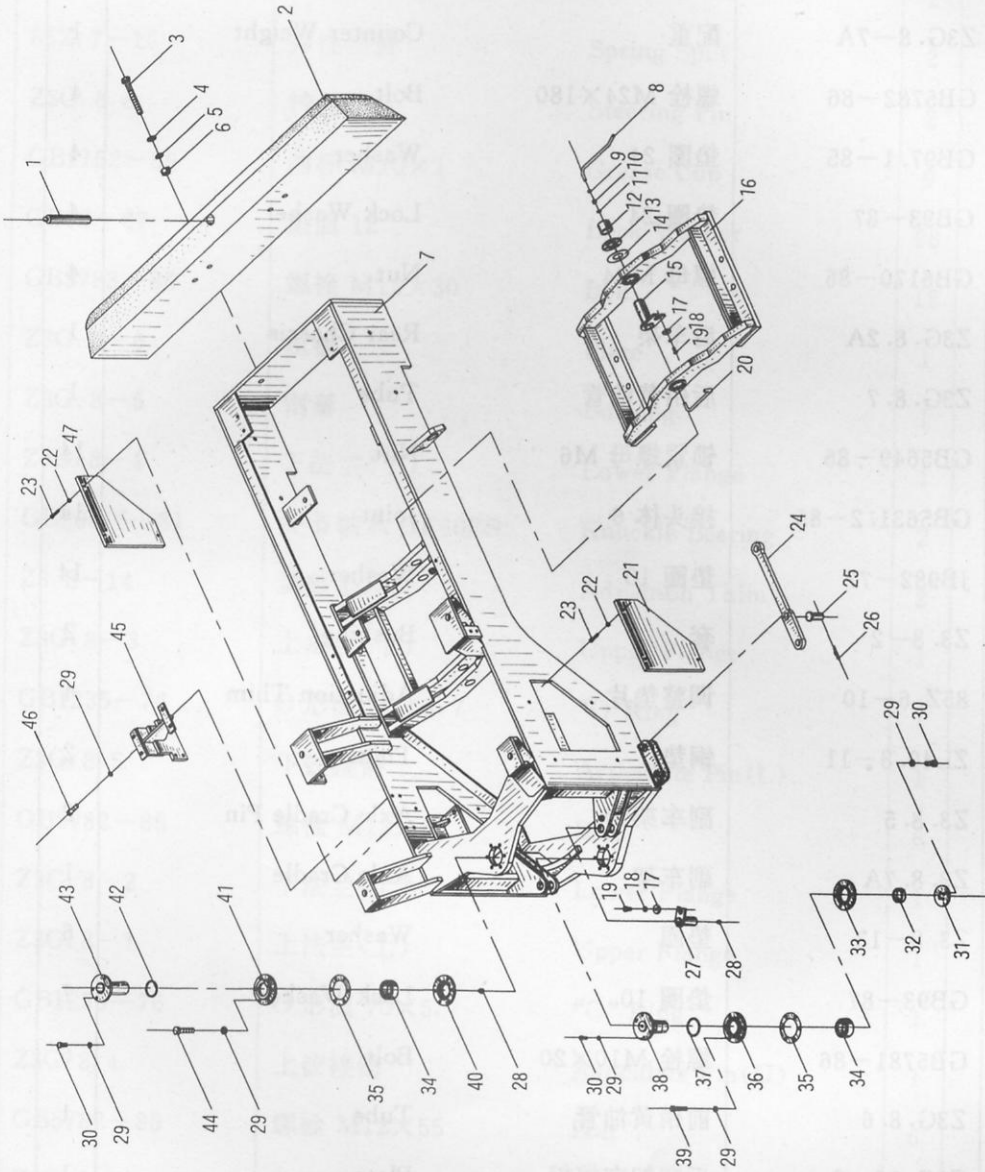
26. Z3G. 8 前车架总成 Front Chassis Assembly



26. Z3G. 8 前车架总成 Front Chassis Assembly

标号 Sr. No.	零件代号 Part No.	名 称 Part Description	数量 Q'ty	备 注 Remark
1	Z3. 8. 1A	前车架 Front Chassis	1	
2	GB1152-89	油杯 M10×1 Grease Cup	5	
3	Z3. 8. 9	动臂销 Lift Arm Pin	2	
4	85Z. 6-5	垫圈 Washer	5	
5	GB93-87	垫圈 16 Lock Washer	5	
6	GB5781-86	螺栓 M16×25 Bolt	5	
7	Z3G. 16. 4	左前大灯合件 Front Lamp Protector(L)	1	
8	GB93-87	垫圈 8 Lock Washer	14	
9	GB5781-86	螺栓 M8×20 Bolt	8	
10	Z3. 8. 4	动臂缸销轴 Lift Cylinder Pin	2	
11	Z3G. 8. 12	传动轴黄油管 Tube	1	
12	Z3G. 8. 8	转向销 Steering Pin	2	
13	Z3G. 8. 11	左黄油管 Tube	1	
14	Z3G. 8. 9	右黄油管 Tube	1	
15	Z3. 8-13	垫圈 Washer	2	
16	GB93-87	垫圈 10 Lock Washer	2	
17	GB5781-86	螺栓 M10×20 Bolt	2	
18	Z3G. 16. 7	前车架面板 Plate	1	
19	GB5781-86	螺栓 M8×16 Bolt	6	
20	Z3G. 8. 10	转斗缸后销轴 Tilt Cylinder Pin	1	
21	Z3G. 16. 3	右前大灯合件 Front Lamp Protector(R)	1	

27. Z3G.8 后车架总成 Rear Chassis Assembly



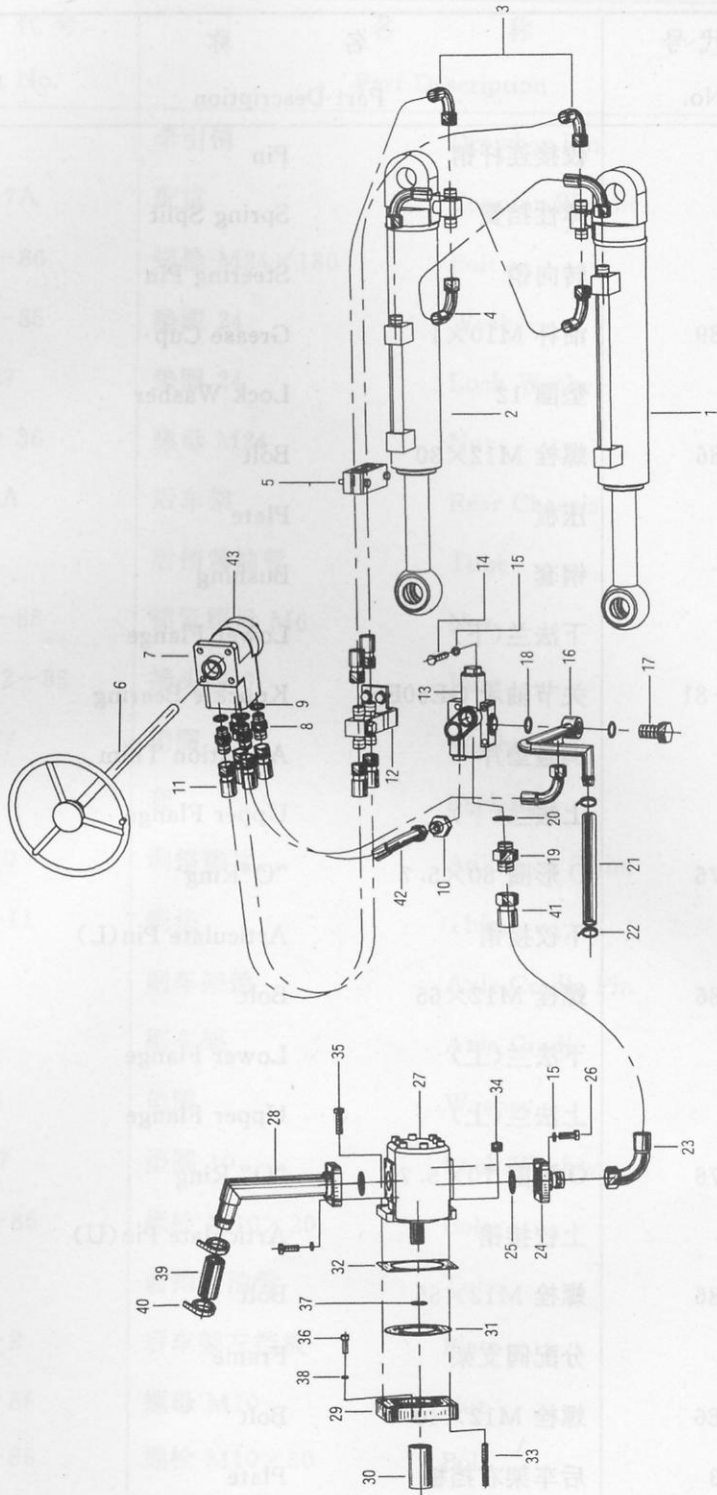
27. Z3G.8 后车架总成 Rear Chassis Assembly

标号 Sr. No.	零件代号 Part No.	名 称 Part Description	数量 Q'ty	备注 Remark
1	Z3.8-4	牵引销 Drawbar Pin	1	
2	Z3G.8-7A	配重 Counter Weight	1	
3	GB5782-86	螺栓 M24×180 Bolt	4	
4	GB97.1-85	垫圈 24 Washer	4	
5	GB93-87	垫圈 24 Lock Washer	4	
6	GB6170-86	螺母 M24 Nut	4	
7	Z3G.8.2A	后车架 Rear Chassis	1	
8	Z3G.8.7	后销黄油管 Tube	1	
9	GB5649-85	锁紧螺母 M6 Nut	14	
10	GB5631.2-85	接头体 6 Joint	14	
11	JB982-77	垫圈 10 Washer	14	
12	Z3.8-2	套 Bushing	2	
13	85Z.6-10	调整垫片 Adjusion Thim	4	
14	ZL40.8-11	铜垫 Thim	2	
15	Z3.8.5	副车架销 Axle Cradle Pin	2	
16	Z3.8.7A	副车架 Axle Cradle	1	
17	Z3.8-13	垫圈 Washer	6	
18	GB93-87	垫圈 10 Lock Washer	7	
19	GB5781-86	螺栓 M10×20 Bolt	6	
20	Z3G.8.6	前销黄油管 Tube	1	
21	Z3G.16-2	后车架左挡板 Plate	1	
22	GB6170-86	螺母 M10 Nut	8	
23	GB5781-86	螺栓 M10×50 Bolt	8	
24	Z3G.8-8	锁定杆 Rod	1	

27. Z3G. 8 后车架总成 Rear Chassis Assembly

标号 Sr. No.	零件代号 Part No.	名 称 Part Description	数量 Q'ty	备 注 Remark
25	85Z. 7-14	铰接连杆销 Pin	2	
26	85Z. 7-15	弹性挡簧 Spring Split	2	
27	Z3G. 8. 8	转向销 Steering Pin	2	
28	GB1152-89	油杯 M10×1 Grease Cup	9	
29	GB93-87	垫圈 12 Lock Washer	28	
30	GB5783-86	螺栓 M12×30 Bolt	12	
31	Z3G. 8-6	压板 Plate	1	
32	Z3G. 8-5	钢套 Bushing	1	
33	Z3G. 8-4	下法兰(下) Lower Flange	1	
34	GB304. 5-81	关节轴承 GE60ES Knuckle Bearing	2	
35	Z3. 8-14	调整垫片 Adjustment Thim	2	
36	Z3G. 8-3	上法兰(下) Upper Flange	1	
37	GB1235-76	O 形圈 80×5. 7 "O" Ring	1	
38	Z3G. 8. 5	下铰接销 Articulate Pin(L)	1	
39	GB5782-86	螺栓 M12×65 Bolt	6	
40	Z3G. 8-2	下法兰(上) Lower Flange	1	
41	Z3G. 8-1	上法兰(上) Upper Flange	1	
42	GB1235-76	O 形圈 70×5. 7 "O" Ring	1	
43	Z3G. 8. 4	上铰接销 Articulate Pin(U)	1	
44	GB5782-86	螺栓 M12×55 Bolt	6	
45	Z3G. 8. 3A	分配阀支架 Frame	1	
46	GB5781-86	螺栓 M12×40 Bolt	4	
47	Z3G. 16-3	后车架右挡板 Plate	1	

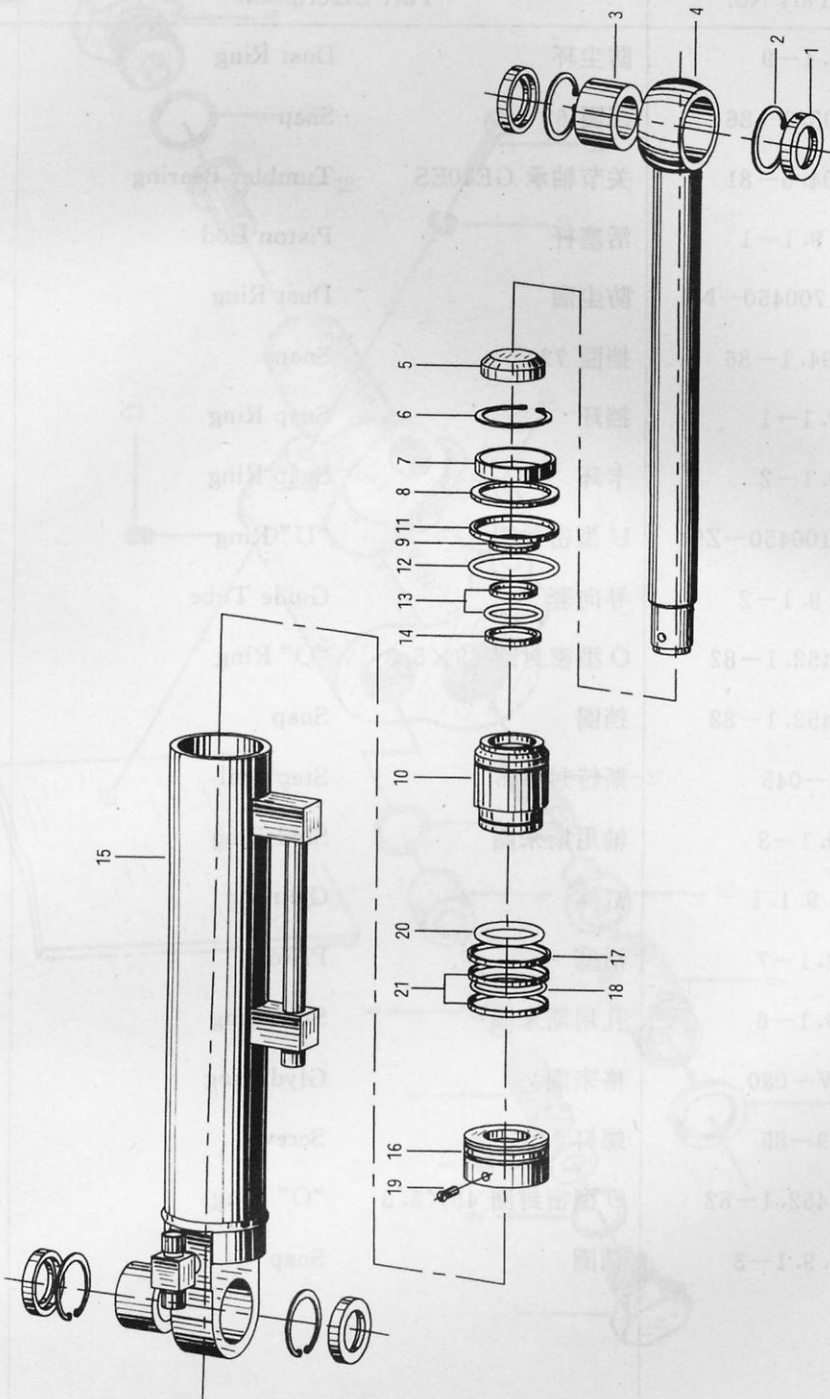
28. Z3G. 9A 转向液压系统 Steering System



28. Z3G. 9A 转向液压系统 Steering System

标号 Sr. No.	零件代号 Part No.	名 称 Part Description	数量 Q'ty	备 注 Remark
25	GB3452.1-82	O 型密封圈 40×3.55 "O" Ring	2	
26	GB5883-86	螺栓 M10×30 Bolt	8	
27	CB550	齿轮泵 Pump	1	
28	Z3G. 9. 9	钢管 Steel Tube	1	
29	Z3. 3-11	连接盘 Flanger	1	借用
30	Z3. 3-12	连接套 Joint Tube	1	借用
31	Z3. 3-14	纸垫 Washer	1	借用
32	Z3. 3-15	纸垫 Washer	1	借用
33	GB901-88	螺栓 M10×75 Bolt	2	
34	GB6170-86	螺母 M10 Nut	2	
35	GB5782-86	螺栓 M10×40 Bolt	2	
36	GB70-85	螺钉 M8×25 Screw	6	
37	GB894. 2-86	挡圈 25 Snap	1	
38	GB93-87	垫圈 8 Lock Washer	6	
39	Z3G. 9-4	软管 Soft Tube	1	
40	ZBJ15001-87	喉箍 d60 Clamp	2	
41	Z3G. 9. 10	D 型胶管 "D" Hose	1	外购
42	Z3G. 9. 11	D 型胶管 "D" Hose	1	外购
43	FKAR-103015	阀块 Valve	1	外购

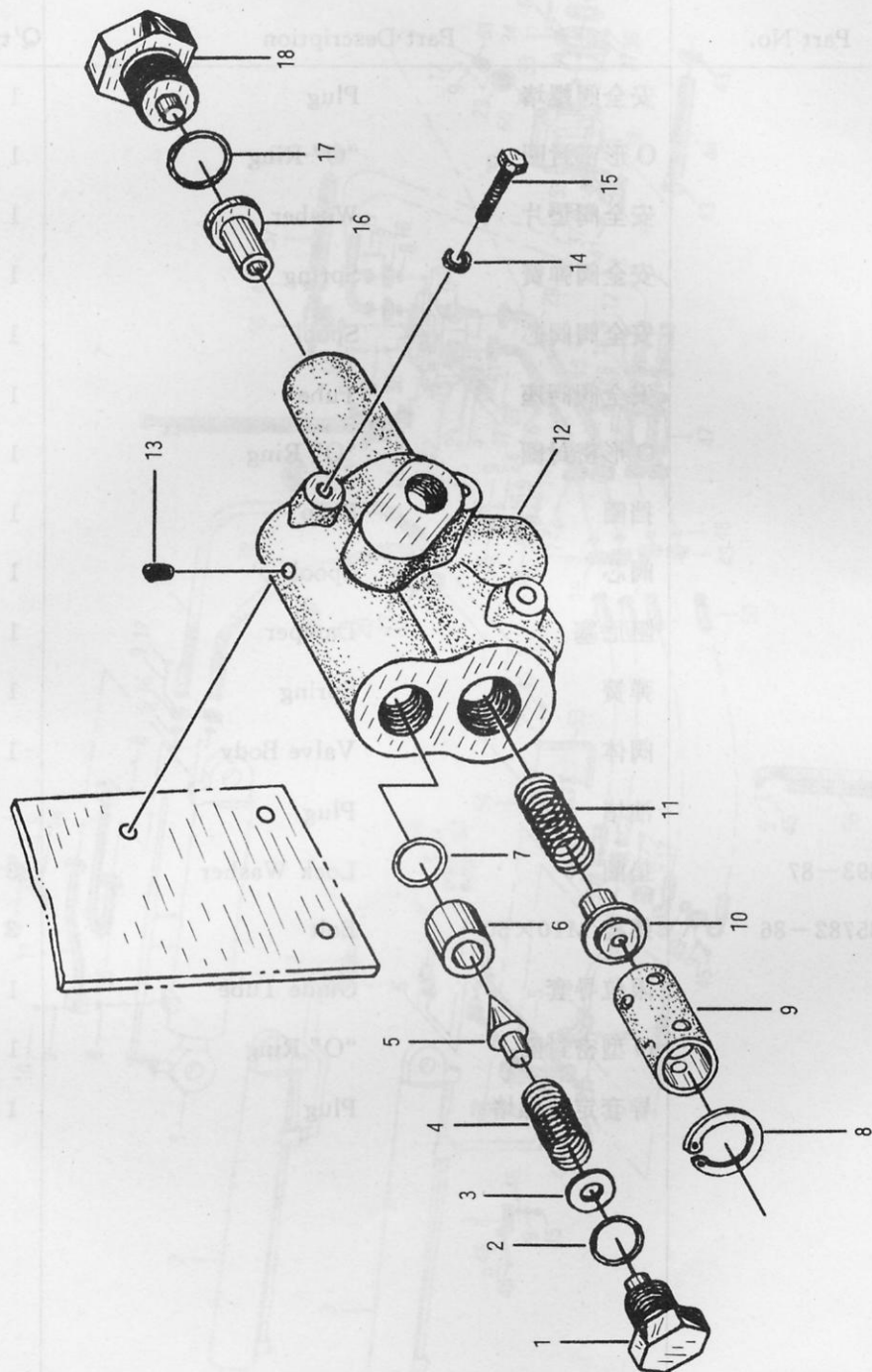
29. Z3G. 9.1 左转向油缸 Left Steering Cylinder



29. Z3G. 9. 1 左转向油缸 Left Steering Cylinder

标号 Sr. No.	零件代号 Part No.	名 称 Part Description		数量 Q'ty	备注 Remark
1	Z3. 9. 1-9	防尘环	Dust Ring	4	借用
2	GB893. 1-86	挡圈 62	Snap	4	
3	GB304. 5-81	关节轴承 GE40ES	Tumbler Bearing	2	
4	Z3G. 9. 1-1	活塞杆	Piston Rod	1	
5	WD1700450-N9	防尘圈	Dust Ring	1	进口 B+S
6	GB894. 1-86	挡圈 72	Snap	1	
7	Z3. 9. 1-1	挡环	Snap Ring	1	借用
8	Z3. 9. 1-2	卡环	Snap Ring	1	借用
9	RUJ100450-Z94	U型密封圈	"U" Ring	1	进口 B+S
10	Z3G. 9. 1-2	导向套	Guide Tube	1	
11	GB3452. 1-82	O型密封圈 69×5.3	"O" Ring	1	
12	GB3452. 1-82	挡圈	Snap	1	
13	CKS-045	斯特封 d45	Step Seal	1	
14	Z3. 9. 1-3	轴用斯来圈	Slyd Ring	2	借用
15	Z3G. 9. 1. 1	缸体	Cylinder	1	
16	Z3. 9. 1-7	活塞	Piston	1	借用
17	Z3. 9. 1-6	孔用斯来圈	Slyd Ring	2	借用
18	CKW-080	格来圈	Glyd Ring	1	
19	GB79-85	螺钉 M8×25	Screw	1	
20	GB3452. 1-82	O型密封圈 45×5.3	"O" Ring	1	
21	Z3G. 9. 1-3	挡圈	Snap	2	

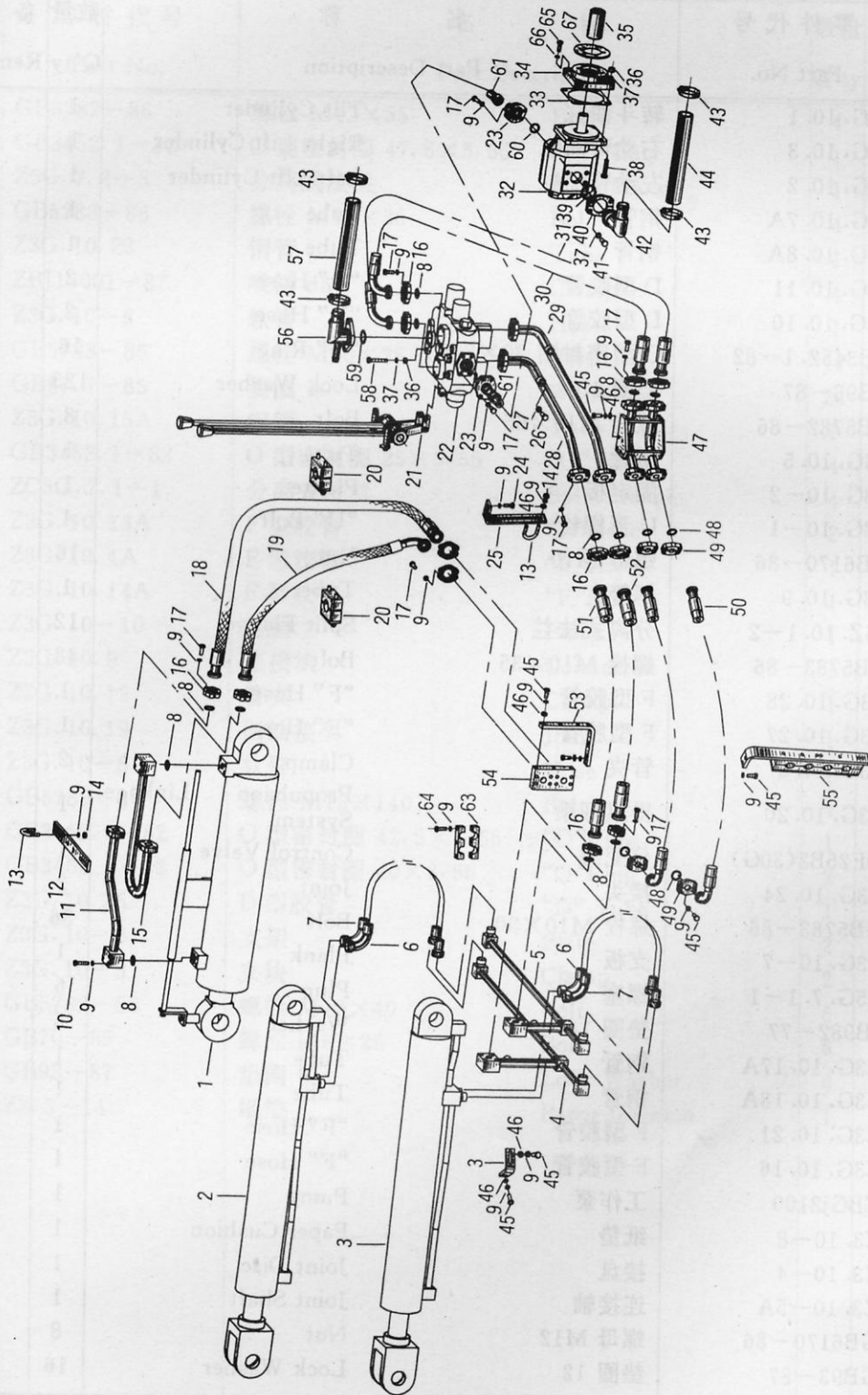
30.Z3.9.00 单稳阀 Valve



30.Z3.9.00 单稳阀 Valve

标号 Sr. No.	零件代号 Part No.	名 称 Part Description	数量 Q'ty	备注 Remark
1		安全阀螺堵 Plug	1	
2		O形密封圈 "O" Ring	1	
3		安全阀垫片 Washer	1	
4		安全阀弹簧 Spring	1	
5		安全阀阀芯 Spool	1	
6		安全阀阀座 Tube	1	
7		O形密封圈 "O" Ring	1	
8		挡圈 Snap	1	
9		阀芯 Spool	1	
10		阻尼塞 Damper	1	
11		弹簧 Spring	1	
12		阀体 Valve Body	1	
13		油堵 Plug	1	
14	GB93-87	垫圈 10 Lock Washer	3	
15	GB5782-86	螺栓 M10×50 Bolt	3	
16		限位导套 Guide Tube	1	
17		O型密封圈 "O" Ring	1	
18		导套定位螺堵 Plug	1	

31. Z3G. 10A 工作液压系统 Working Hydraulic System



31. Z3G. 10A 工作液压系统 Working Hydraulic System

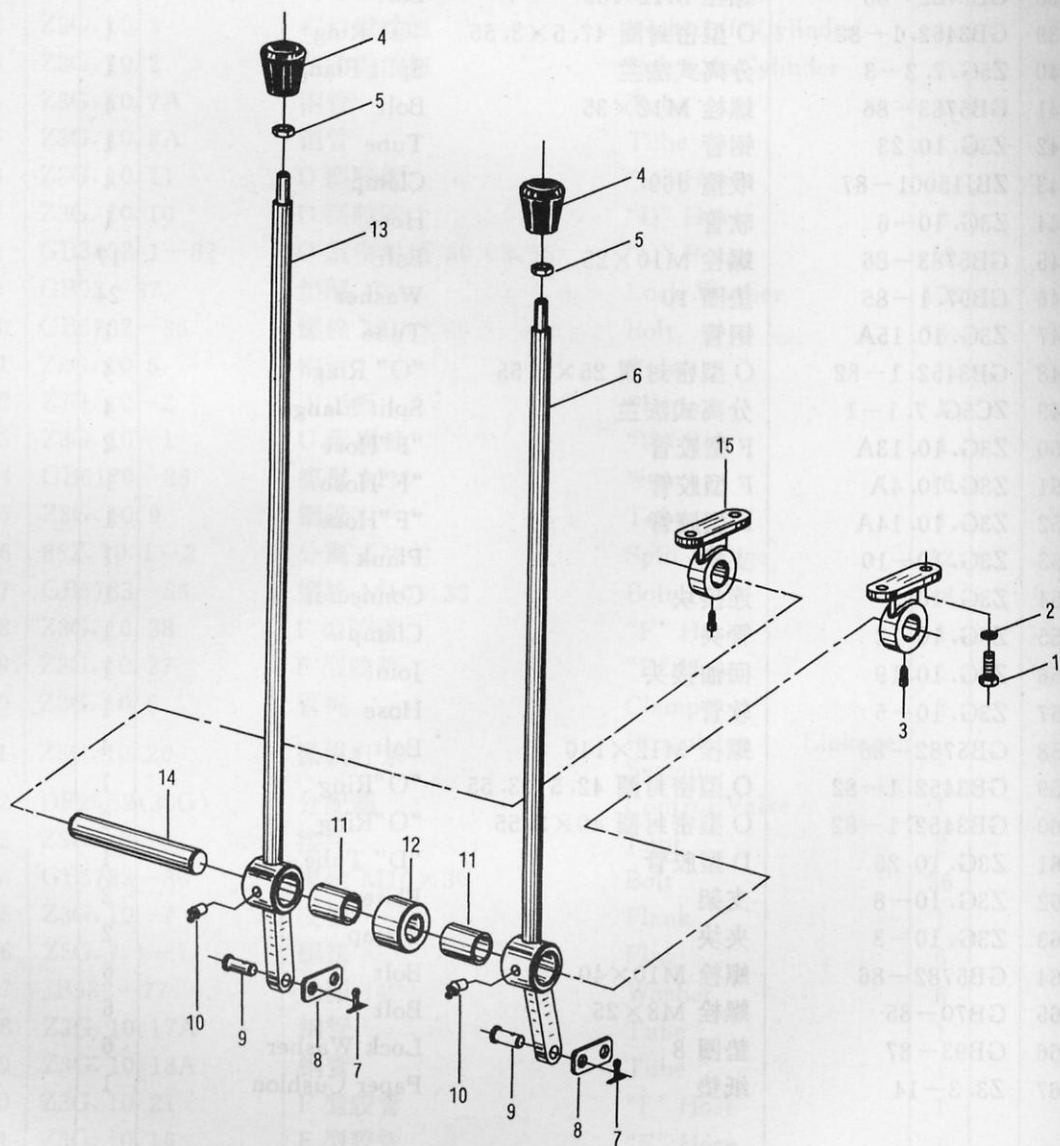
标号 Sr. No.	零件代号 Part No.	名 称 Part Description	数量 Q'ty	备注 Remark
1	Z3G. 10. 1	转斗油缸	1	
2	Z3G. 10. 3	右动臂油缸	1	
3	Z3G. 10. 2	左动臂油缸	1	
4	Z3G. 10. 7A	钢管	1	
5	Z3G. 10. 8A	钢管	1	
6	Z3G. 10. 11	D型胶管	2	
7	Z3G. 10. 10	D型胶管	2	
8	GB3452. 1-82	O型密封圈 30×3. 55	16	
9	GB93-87	垫圈 10	123	
10	GB5782-86	螺栓 M10×65	8	
11	Z3G. 10. 5	钢管	1	
12	Z3G. 10-2	固定板	1	
13	Z3G. 10-1	U形螺栓	4	
14	GB6170-86	螺母 M10	16	
15	Z3G. 10. 9	钢管	1	
16	85Z. 10. 1-2	分离式法兰	12	
17	GB5783-86	螺栓 M10×35	48	
18	Z3G. 10. 28	F型胶管	1	
19	Z3G. 10. 27	F型胶管	1	
20	Z3G. 10. 6	管夹	2	
21	Z3G. 10. 20	操纵杆系	1	
22	DF25B2(30G)	分配阀	1	
23	Z3G. 10. 24	接头	2	
24	GB5783-86	螺栓 M10×30	36	
25	Z3G. 10-7	支板	1	
26	Z5G. 7. 1-1	螺塞	6	
27	JB982-77	垫圈 14	6	
28	Z3G. 10. 17A	钢管	1	
29	Z3G. 10. 18A	钢管	1	
30	Z3G. 10. 21	F型胶管	1	
31	Z3G. 10. 16	F型胶管	1	
32	CBGj2100	工作泵	1	
33	Z3. 10-8	纸垫	1	
34	Z3. 10-4	接盘	1	
35	Z3. 10-5A	连接轴	1	
36	GB6170-86	螺母 M12	8	
37	GB93-87	垫圈 12	16	

31. Z3G. 10A 工作液压系统 Working Hydraulic System

Linkage System

标号 Sr. No.	零件代号 Part No.	名 称 Part Description	数量 Q'ty	备 注 Remark
38	GB5782-86	螺栓 M12×55 Bolt	4	
39	GB3452.1-82	O 型密封圈 47.5×3.55 "O" Ring	1	
40	Z5G.7.2-3	分离式法兰 Split Flange	1	
41	GB5783-86	螺栓 M12×35 Bolt	4	
42	Z3G.10.23	钢管 Tube	1	
43	ZBJ15001-87	喉箍 d60 Clamp	4	
44	Z3G.10-6	软管 Hose	1	
45	GB5783-86	螺栓 M10×25 Bolt	17	
46	GB97.1-85	垫圈 10 Washer	24	
47	Z3G.10.15A	钢管 Tube	1	
48	GB3452.1-82	O 型密封圈 25×3.55 "O" Ring	4	
49	ZC5G.7.1-1	分离式法兰 Split Flange	4	
50	Z3G.10.13A	F 型胶管 "F" Hose	2	
51	Z3G.10.4A	F 型胶管 "F" Hose	1	
52	Z3G.10.14A	F 型胶管 "F" Hose	1	
53	Z3G.10-10	支架 Plank	1	
54	Z3G.10.9	连接块 Connector	1	
55	Z3G.10.12	管夹 Clamp	1	
56	Z3G.10.19	回油接头 Joint	1	
57	Z3G.10-5	软管 Hose	1	
58	GB5782-86	螺栓 M12×140 Bolt	4	
59	GB3452.1-82	O 型密封圈 42.5×3.55 "O" Ring	1	
60	GB3452.1-82	O 型密封圈 40×3.55 "O" Ring	2	
61	Z3G.10.25	D 型胶管 "D" Tube	1	
62	Z3G.10-8	支架 Plate	2	
63	Z3G.10-3	夹块 Clamp	2	
64	GB5782-86	螺栓 M10×40 Bolt	6	
65	GB70-85	螺栓 M8×25 Bolt	6	
66	GB93-87	垫圈 8 Lock Washer	6	
67	Z3.3-14	纸垫 Paper Cushion	1	

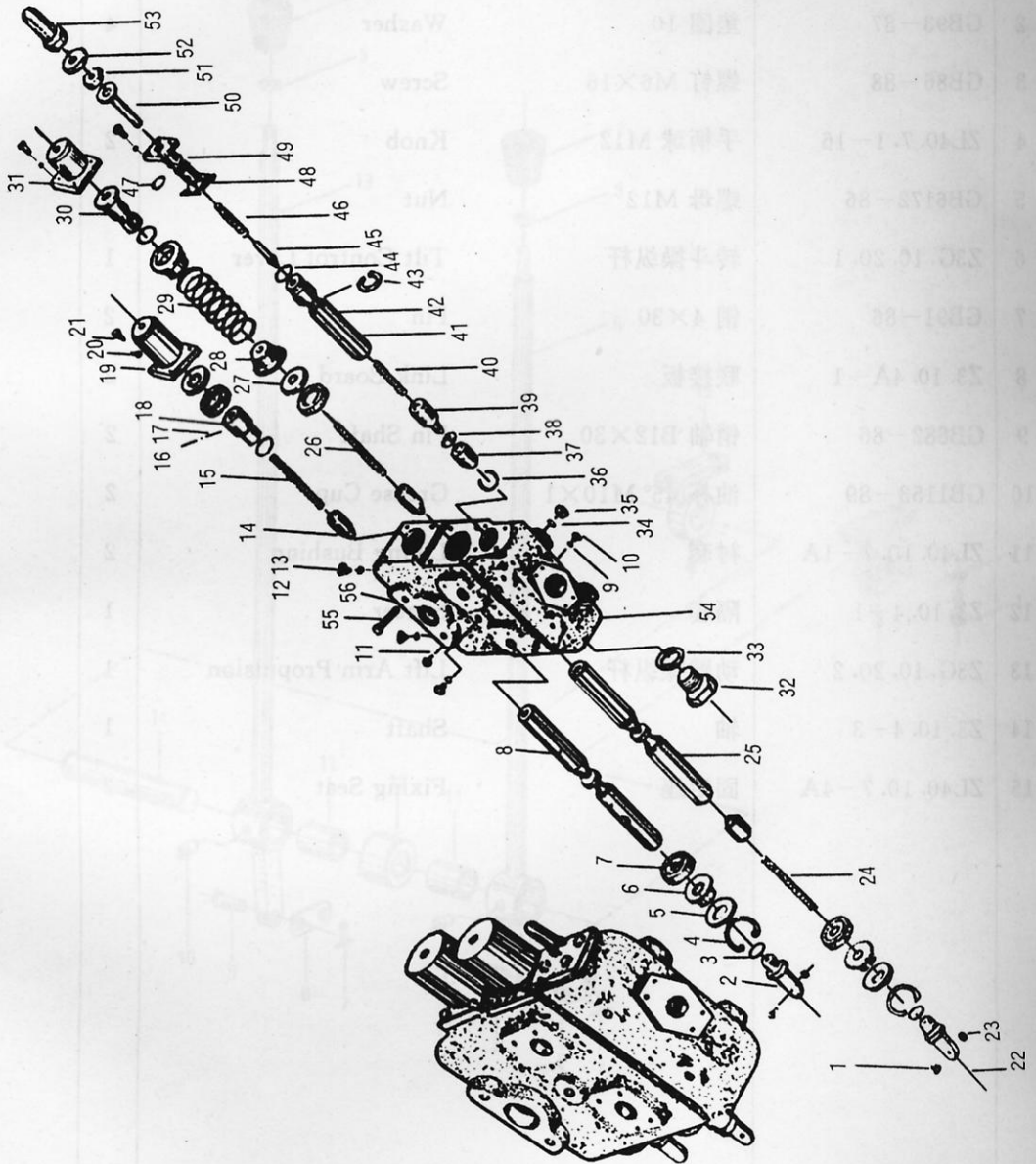
32. Z3G. 10. 20 工作操纵杆系 Working Propulsion Linkage System



32. Z3G. 10. 20 工作操纵杆系 Working Propulsion
Linkage System

标号 Sr. No.	零件代号 Part No.	名 称 Part Description		数量 Q'ty	备 注 Remark
1	GB5783-86	螺栓 M10×25	Bolt	4	
2	GB93-87	垫圈 10	Washer	4	
3	GB86-88	螺钉 M6×16	Screw	2	
4	ZL40. 7. 1-16	手柄球 M12	Knob	2	
5	GB6172-86	螺母 M12	Nut	2	
6	Z3G. 10. 20. 1	转斗操纵杆	Tilt Control Lever	1	
7	GB91-86	销 4×30	Pin	2	
8	Z3. 10. 4A-1	联接板	Link Board	2	
9	GB882-86	销轴 B12×30	Pin Shaft	2	
10	GB1153-89	油杯 45° M10×1	Grease Cup	2	
11	ZL40. 10. 7-1A	衬套	Lining Bushing	2	
12	Z3. 10. 4-1	隔套	Spacer	1	
13	Z3G. 10. 20. 2	动臂操纵杆	Lift Arm Propulsion	1	
14	Z3. 10. 4-3	轴	Shaft	1	
15	ZL40. 10. 7-4A	固定座	Fixing Seat	2	

33. Z3. 10. 00 分配阀总成 Control Valve Assembly



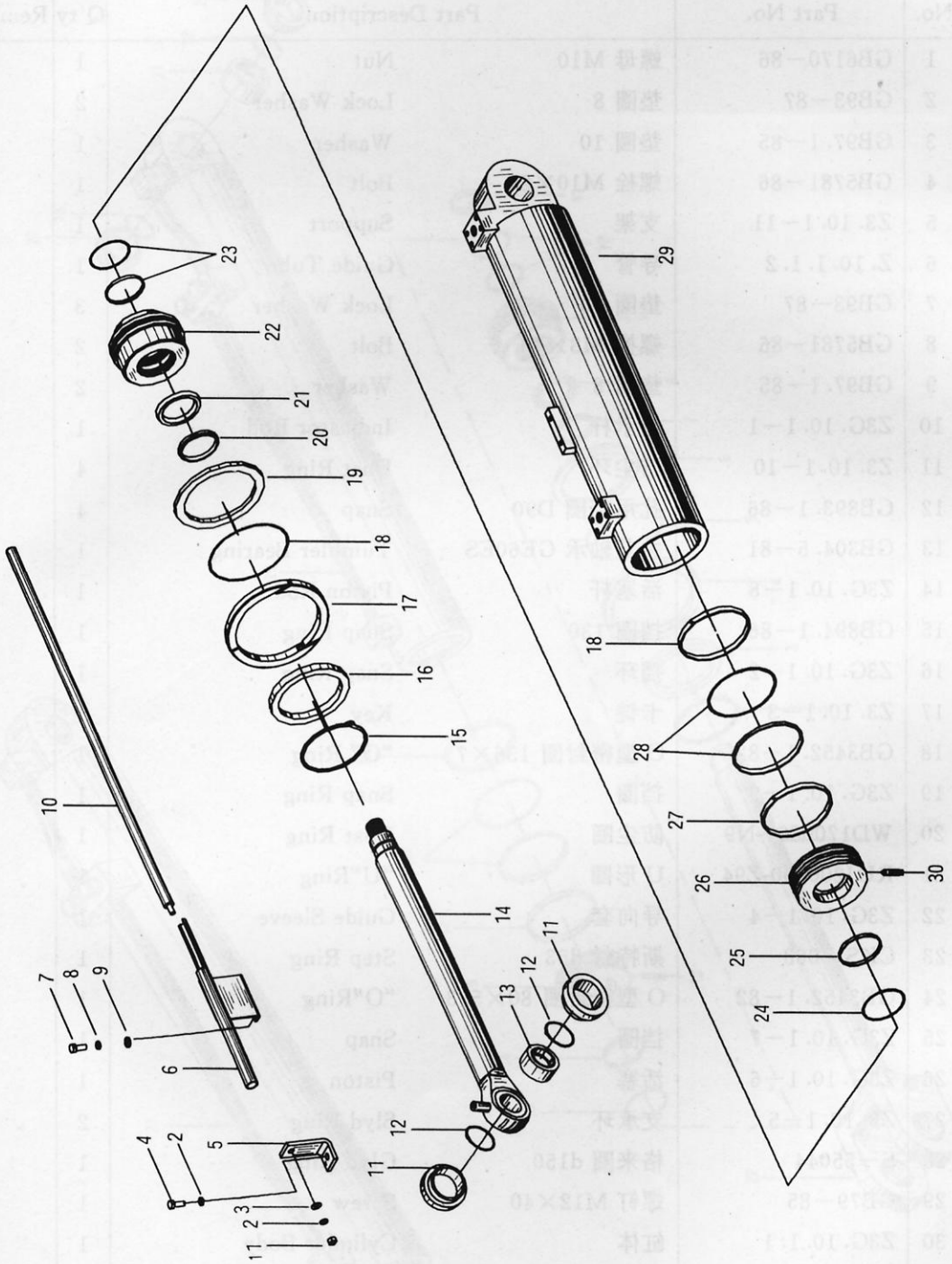
33. Z3. 10. 00 分配阀总成 Control Valve Assembly

标号 Sr. No.	零件代号 Part No.	名 称 Part Description	数量 Q'ty	备 注 Remark
1	GB882-86	销轴 A12+9×35	Pin	2
2		弹簧座	Spring Seat	2
3	GB1235-76	O 型密封圈 28×3.1	"O"Ring	4
4		挡圈	Snap	2
5		防尘圈	Seal Ring	2
6	GB1235-76	O 型密封圈 40×3.5	"O" Ring	2
7	SG35×56×12/ HG4-692-67	骨架油封	Skeleton Oil Seal	4
8		动臂滑阀	Lift Arm Plunger	1
9	GB1235-76	O 型密封圈 16×2.4	"O" Ring	1
10		螺塞	Plug	1
11	GB5782-86	螺栓 M12×115	Bolt	2
12		螺塞	Plug	3
13	GB1235-76	O 型密封圈 24×2.4	"O" Ring	3
14		单向阀	Check Valve Plunger	3
15		弹簧	Spring	1
16	GB308-64	钢球 7/16"	Steel Ball	2
17		弹簧	Spring	1
18		弹簧座	Spring Seat	1
19		定位套筒	Positioning Sleeve	1
20	GB93-87	垫圈 8	Lock Washer	12
21	GB5783-86	螺栓 M8×25	Bolt	12
22	GB91-86	开口销 2×20	Cotter Pin	2
23	GB97.1-85	垫圈 12	Washer	2
24		弹簧	Spring	1
25		转斗滑阀	Tilt Plunger	1
26		弹簧	Spring	1
27		垫板	Washer	2
28		弹簧压座	Spring Gland Seat	2
29		回位弹簧	Return Spring	1
30		弹簧座	Spring Seat	1
31		端盖	End Cover	1

33. Z3. 10. 00 分配阀总成 Control Valve Assembly

标号 Sr. No.	零件代号 Part No.	名 称 Part Description	数量 Q'ty	备 注 Remark
32		螺塞 Plug	2	
33	GB1235-76	O 型密封圈 40×3.1 "O" Ring	3	
34		螺塞 Plug	3	
35	GB41-86	螺母 M12 Nut	4	
36	GB895-67	挡圈 20 Snap	1	
37		回油阀芯 Outlet Valve Stem	1	
38	GB1235-76	O 型密封圈 20×2.4 "O" Ring	1	
39		柱塞阀芯 Plunger	1	
40		弹簧 Spring	1	
41		园柱销 Pin	1	
42		安全阀套 Safty Valve Sleeve	1	
43		阀座 Valve Seat	1	
44	GB1235-76	O 型密封圈 24×2.4 "O" Ring	1	
45		调整阀芯 Adjustable Valve Stem	1	
46		弹簧 Spring	1	
47	GB1235-76	O 型密封圈 32×3.1 "O" Ring	1	
48	JB982-77	垫圈 12 Washer	2	
49		压盖 Spring Gland	1	
50		调整丝杆 Adjusting Screw	1	
51		螺母 Nut	1	
52		垫圈 Washer	2	
53		锁紧螺母 Lock Nut	1	
54		阀体 Valve Body	1	
55		螺栓 Bolt	4	
56	GB1235-76	O 型密封圈 50×3.1 "O" Ring	1	

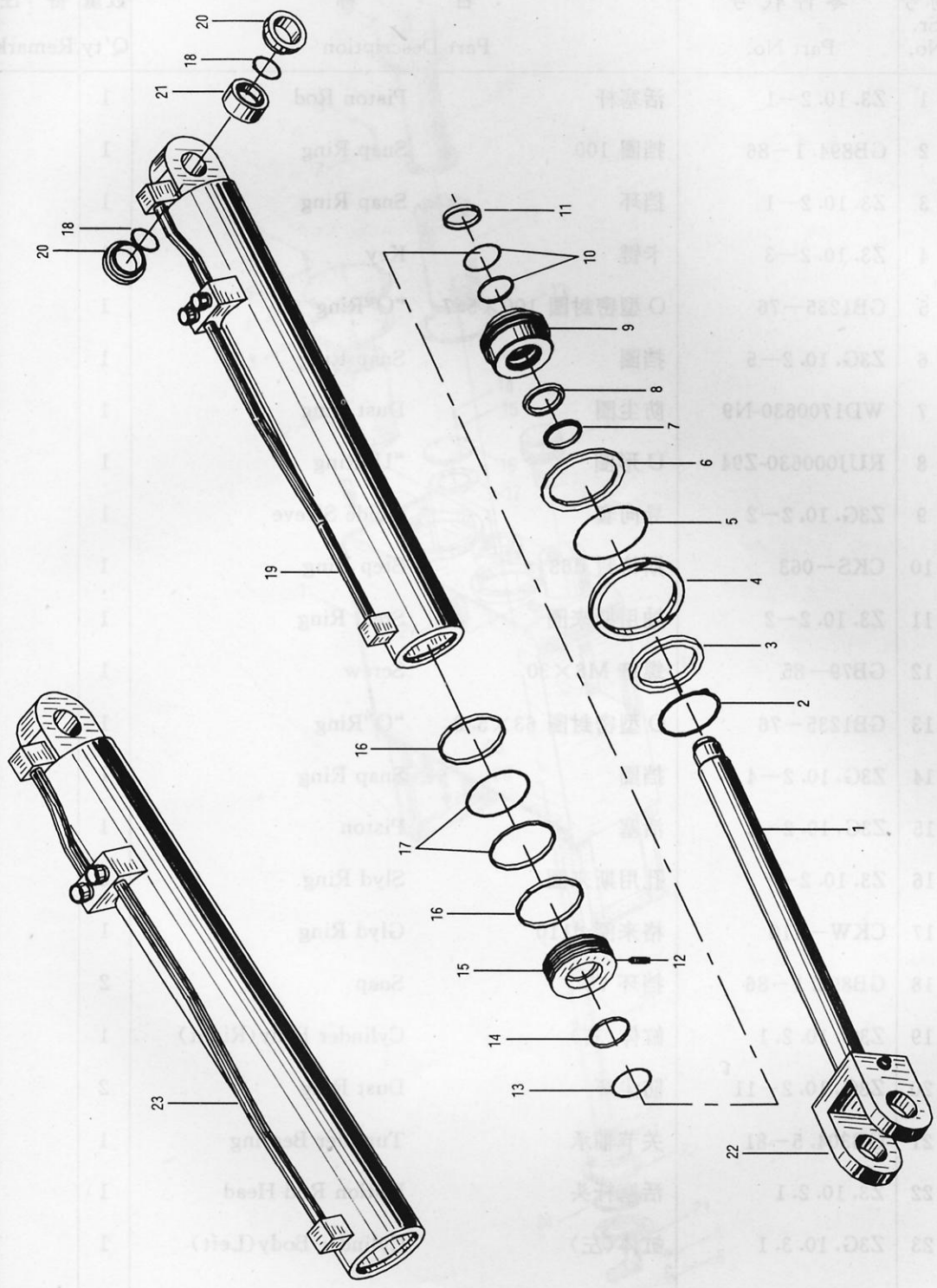
34. Z3G. 10.1 转斗油缸 Tilt Cylinder



34. Z3G. 10. 1 转斗油缸 Tilt Cylinder

标号 Sr. No.	零件代号 Part No.	名 称 Part Description		数量 Q'ty	备 注 Remark
1	GB6170-86	螺母 M10	Nut	1	
2	GB93-87	垫圈 8	Lock Washer	2	
3	GB97.1-85	垫圈 10	Washer	1	
4	GB5781-86	螺栓 M10×20	Bolt	1	
5	Z3.10.1-11	支架	Support	1	
6	Z.10.1.1.2	导管	Guide Tube	1	
7	GB93-87	垫圈 10	Lock Washer	3	
8	GB5781-86	螺栓 M8×16	Bolt	2	
9	GB97.1-85	垫圈 8	Washer	2	
10	Z3G.10.1-1	指示杆	Indicator Rod	1	
11	Z3.10.1-10	防尘环	Dust Ring	4	
12	GB893.1-86	孔用挡圈 D90	Snap	4	
13	GB304.5-81	关节轴承 GE60ES	Tumbler Bearing	1	
14	Z3G.10.1-8	活塞杆	Piston Rod	1	
15	GB894.1-86	挡圈 130	Snap Ring	1	
16	Z3G.10.1-2	挡环	Snap Ring	1	
17	Z3.10.1-3	卡键	Key	1	
18	GB3452.1-82	O型密封圈 136×7	"O" Ring	1	
19	Z3G.10.1-9	挡圈	Snap Ring	1	
20	WD1700800-N9	防尘圈	Dust Ring	1	
21	RUJ200800-Z94	U形圈	"U" Ring	1	
22	Z3G.10.1-4	导向套	Guide Sleeve	1	
23	CKS-063	斯特封 d63	Step Ring	1	
24	GB3452.1-82	O型密封圈 80×5.3	"O" Ring	1	
25	Z3G.10.1-7	挡圈	Snap	1	
26	Z3G.10.1-6	活塞	Piston	1	
27	Z3.10.1-5	支承环	Slyd Ring	2	
28	S-55044	格来圈 d150	Glyd Ring	1	
29	GB79-85	螺钉 M12×40	Screw	1	
30	Z3G.10.1.1	缸体	Cylinder Body	1	

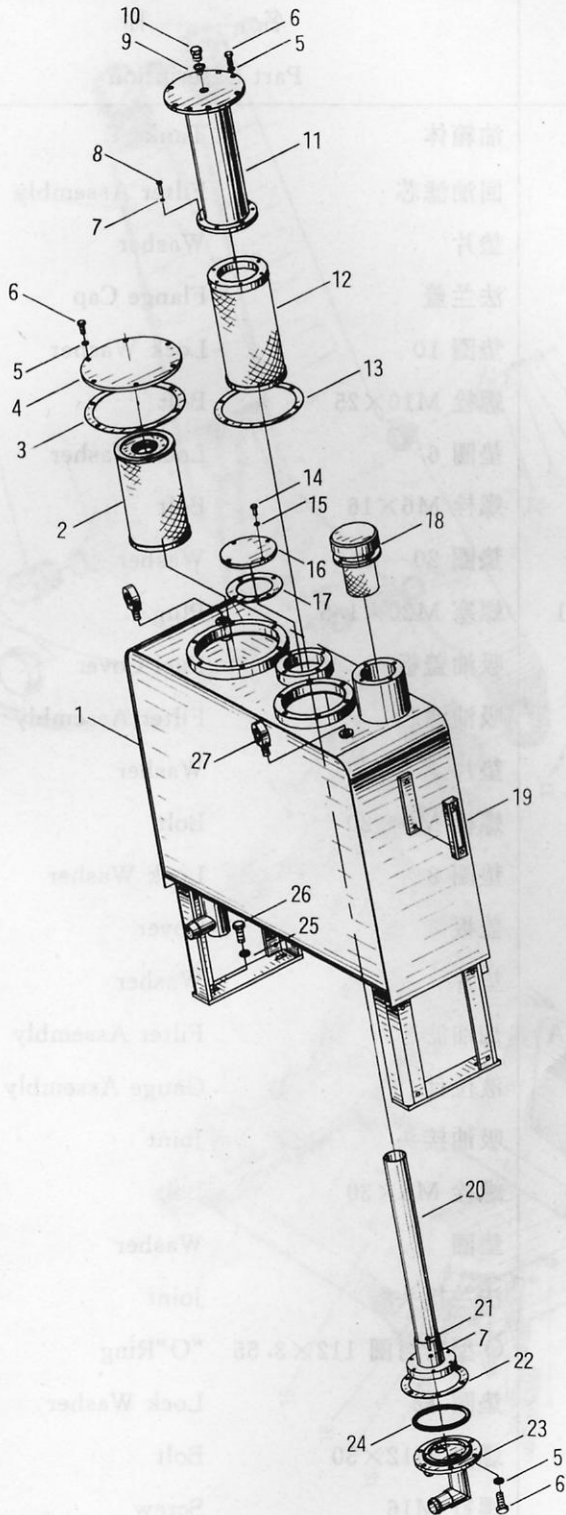
35. Z3G. 10. 2 左右动臂油缸 Left Right Lift Cylinder



35. Z3G. 10. 2 左右动臂油缸 Left Right Lift Cylinder

标号 Sr. No.	零件代号 Part No.	名 称 Part Description		数量 Q'ty	备 注 Remark
1	Z3. 10. 2-1	活塞杆	Piston Rod	1	
2	GB894. 1-86	挡圈 100	Snap Ring	1	
3	Z3. 10. 2-1	挡环	Snap Ring	1	
4	Z3. 10. 2-3	卡键	Key	1	
5	GB1235-76	O 型密封圈 100×5. 7	"O"Ring	1	
6	Z3G. 10. 2-5	挡圈	Snap Ring	1	
7	WD1700630-N9	防尘圈	Dust Ring	1	
8	RUJ000630-Z94	U 形圈	"U"Ring	1	
9	Z3G. 10. 2-2	导向套	Guide Sleeve	1	
10	CKS-063	斯特封 d63	Step Ring	1	
11	Z3. 10. 2-2	轴用斯来圈	Steal Ring	1	
12	GB79-85	螺钉 M8×30	Screw	1	
13	GB1235-76	O 型密封圈 63×5. 3	"O"Ring	1	
14	Z3G. 10. 2-4	挡圈	Snap Ring	1	
15	Z3G. 10. 2-3	活塞	Piston	1	
16	Z3. 10. 2-7	孔用斯来圈	Slyd Ring	2	
17	CKW-110	格来圈 d110	Glyd Ring	1	
18	GB893. 1-86	挡环 75	Snap	2	
19	Z3G. 10. 2. 1	缸体(右)	Cylinder Body(Right)	1	
20	Z3G. 10. 2-11	防尘环	Dust Ring	2	
21	GB304. 5-81	关节轴承	Tumbler Bearing	1	
22	Z3. 10. 2. 1	活塞杆头	Pistion Rod Head	1	
23	Z3G. 10. 3. 1	缸体(左)	Cylinder Body(Left)	1	

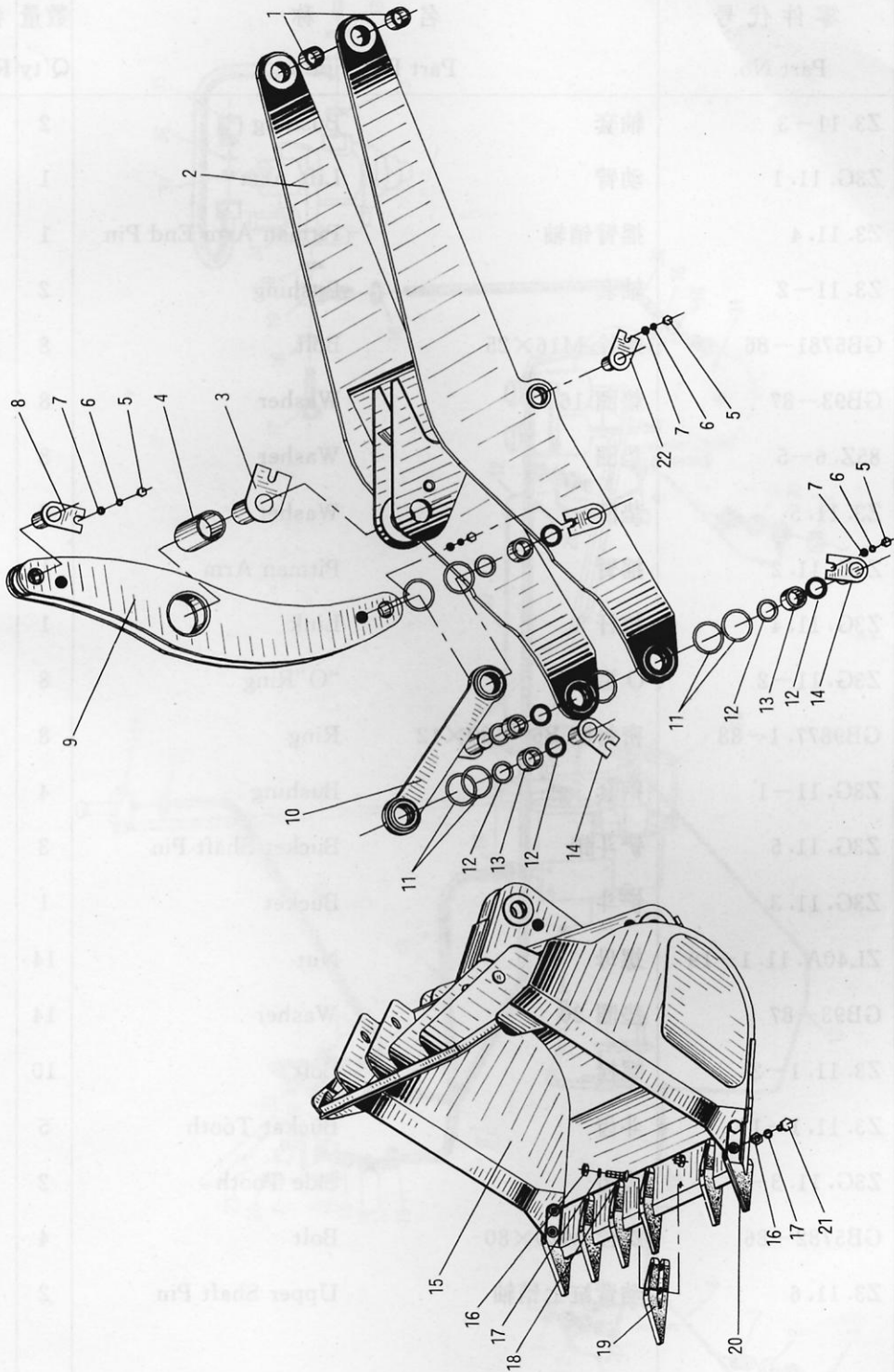
36. Z3G. 10. 22 液压油箱 Hydraulic Tank



36. Z3G. 10. 22 液压油箱 Hydraulic Tank

标号 Sr. No.	零件代号 Part No.	名 称 Part Description	数量 Q'ty	备 注 Remark
1	Z3G. 10. 22. 1	油箱体 Tank	1	
2	Z3. 10. 6. 4A	回油滤芯 Filter Assembly	1	
3	Z3. 10. 6A-5	垫片 Washer	1	
4	Z3. 10. 6-6A	法兰盖 Flange Cap	1	
5	GB93-87	垫圈 10 Lock Washer	18	
6	GB5781-86	螺栓 M10×25 Bolt	18	
7	GB93-87	垫圈 6 Lock Washer	12	
8	GB5781-86	螺栓 M6×16 Bolt	6	
9	JB982-77	垫圈 20 Washer	1	
10	ZL50E. 7. 1. 4-1	螺塞 M20×1. 5 Plug	1	
11	Z3G. 10. 22. 2	吸油盖板 Fuel Cover	1	
12	Z3. 10. 6A. 4	吸油滤芯 Filter Assembly	1	
13	Z3. 10. 6A-1	垫片 Washer	1	
14	GB5781-86	螺栓 M8×20 Bolt	8	
15	GB93-87	垫圈 8 Lock Washer	8	
16	Z3. 10. 6A-3	盖板 Cover	1	
17	Z3. 10. 6A-4	垫片 Washer	1	
18	ZL40(X). 1. 3. 5A	加油滤芯 Filter Assembly	1	
19	YWZ-127	液位计 Gauge Assembly Level	1	
20	Z3G. 10. 22. 3	吸油接头 Joint	1	
21	GB5781-86	螺栓 M6×30 Bolt	6	
22	Z3G. 10. 22-1	垫圈 Washer	1	
23	Z3G. 10. 22. 4	法兰接头 Joint	1	
24	GB3452. 1-82	O 型密封圈 112×3. 55 "O" Ring	1	
25	GB93-87	垫圈 12 Lock Washer	4	
26	GB5781-86	螺栓 M12×30 Bolt	4	
27	GB825-88	螺钉 M16 Screw	2	

37. Z3G. 11 工作装置 Working Device



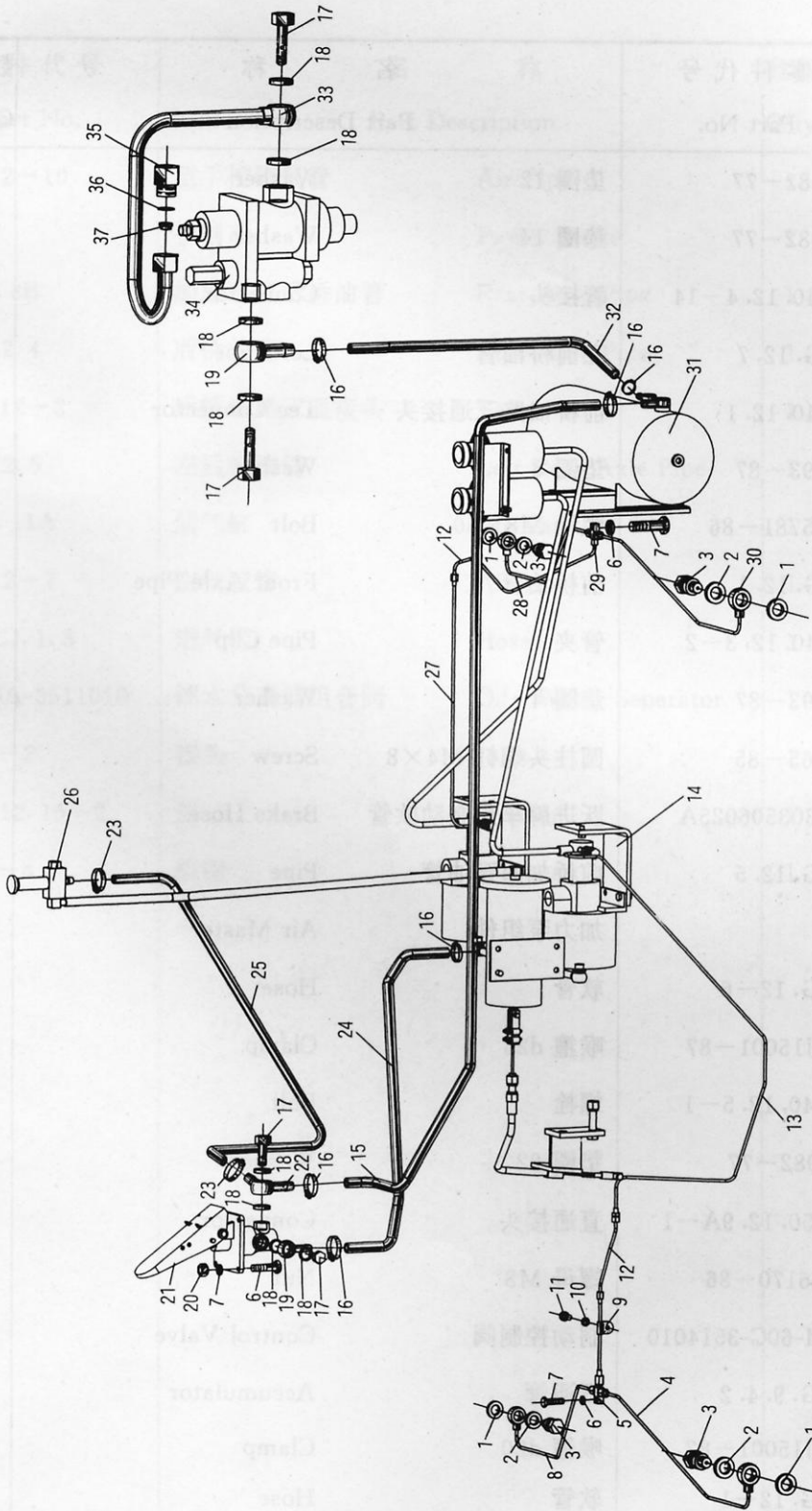
37. Z3G. 11 工作装置 Working Device

标号 Sr. No.	零件代号 Part No.	名 称 Part Description	数量 Q'ty	备 注 Remark
1	Z3. 11-3	轴套 Bushing	2	
2	Z3G. 11. 1	动臂 Lift Arm	1	
3	Z3. 11. 4	摇臂销轴 Pitman Arm End Pin	1	
4	Z3. 11-2	轴套 Bushing	2	
5	GB5781-86	螺栓 M16×25 Bolt	8	
6	GB93-87	垫圈 16 Washer	8	
7	85Z. 6-5	垫圈 Washer	8	
8	Z3. 11. 5	垫圈 Washer	8	
9	Z3G. 11. 2	摇臂 Pitman Arm	1	
10	Z3G. 11. 4	拉杆 Link	1	
11	Z3G. 11-2	O 型圈 "O" Ring	8	
12	GB9877. 1-88	密封圈 B60×80×12 Ring	8	
13	Z3G. 11-1	钢套 Bushing	4	
14	Z3G. 11. 5	铲斗销 Bucket Shaft Pin	3	
15	Z3G. 11. 3	铲斗 Bucket	1	
16	ZL40A. 11. 1-19	螺母 Nut	14	
17	GB93-87	垫圈 20 Washer	14	
18	Z3. 11. 1-2	螺栓 Bolt	10	
19	Z3. 11. 1-1	斗齿 Bucket Tooth	5	
20	Z3G. 11. 3-1	边齿 Side Tooth	2	
21	GB5782-86	螺栓 M20×80 Bolt	4	
22	Z3. 11. 6	动臂缸上销轴 Upper Shaft Pin	2	

37. Z3G. 11 工作装置 Working Device

标号 Sr. No.	零件代号 Part No.	名 称 Part Description	数量 Q'ty	备 注 Remark
1	Z3. 11-3	轴套 Bushing	2	
2	Z3G. 11. 1	动臂 Lift Arm	1	
3	Z3. 11. 4	摇臂销轴 Pitman Arm End Pin	1	
4	Z3. 11-2	轴套 Bushing	2	
5	GB5781-86	螺栓 M16×25 Bolt	8	
6	GB93-87	垫圈 16 Washer	8	
7	85Z. 6-5	垫圈 Washer	8	
8	Z3. 11. 5	垫圈 Washer	8	
9	Z3G. 11. 2	摇臂 Pitman Arm	1	
10	Z3G. 11. 4	拉杆 Link	1	
11	Z3G. 11-2	O 型圈 "O" Ring	8	
12	GB9877. 1-88	密封圈 B60×80×12 Ring	8	
13	Z3G. 11-1	钢套 Bushing	4	
14	Z3G. 11. 5	铲斗销 Bucket Shaft Pin	3	
15	Z3G. 11. 3	铲斗 Bucket	1	
16	ZL40A. 11. 1-19	螺母 Nut	14	
17	GB93-87	垫圈 20 Washer	14	
18	Z3. 11. 1-2	螺栓 Bolt	10	
19	Z3. 11. 1-1	斗齿 Bucket Tooth	5	
20	Z3G. 11. 3-1	边齿 Side Tooth	2	
21	GB5782-86	螺栓 M20×80 Bolt	4	
22	Z3. 11. 6	动臂缸上销轴 Upper Shaft Pin	2	

38. Z3G.12 制动系统 Brake System



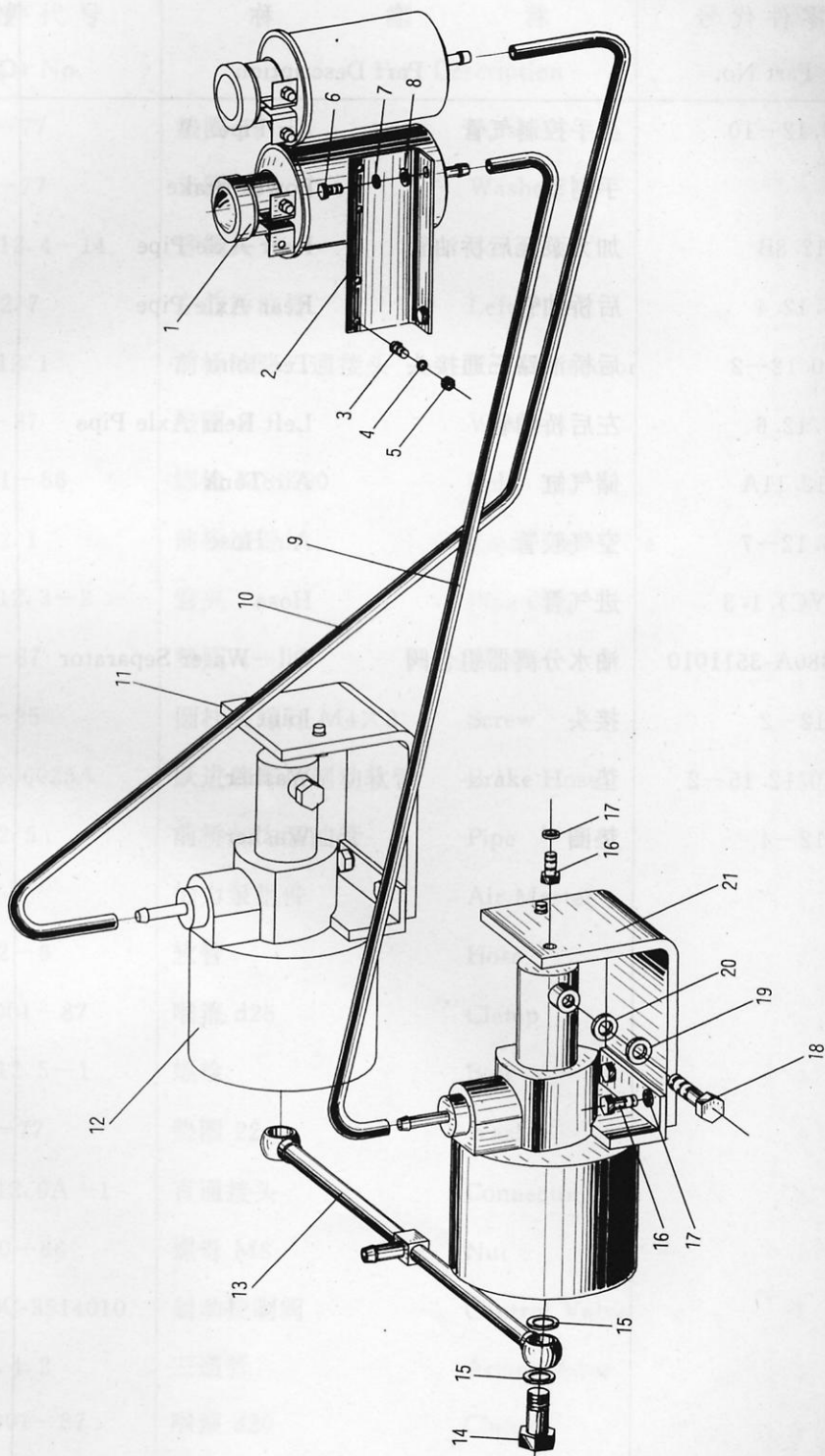
38. Z3G. 12 制动系统 Brake System

标号 Sr. No.	零件代号 Part No.	名 称 Part Description	数量 Q'ty	备 注 Remark
1	JB982-77	垫圈 12 Washer	4	
2	JB982-77	垫圈 14 Washer	4	
3	ZL40.12.4-14	管接头 Connector	4	
4	Z3G.12.7	左前桥油管 Left Pipe	1	
5	ZL40.12.1	前桥油路三通接头 Tee Connector	1	
6	GB93-87	垫圈 8 Washer	6	
7	GB5781-86	螺栓 M8×30 Bolt	6	
8	Z3G.12.1	前桥油管 Front Axle Pipe	1	
9	ZL40.12.3-2	管夹 Pipe Clip	4	
10	GB93-87	垫圈 4 Washer	4	
11	GB65-85	圆柱头螺钉 M4×8 Screw	4	
12	NJ303506025A	跃进牌车用制动软管 Brake Hose	2	
13	Z3G.12.5	前桥加力泵油管 Pipe	1	
14		加力泵组件 Air Master	1	
15	Z3G.12-6	软管 Hose	1	
16	ZBJ15001-87	喉箍 d25 Clamp	6	
17	ZL40.12.5-1	螺栓 Bolt	4	
18	JB982-77	垫圈 22 Washer	8	
19	ZL50.12.9A-1	直通接头 Connector	2	
20	GB6170-86	螺母 M8 Nut	4	
21	XM-60C-3514010	制动控制阀 Control Valve	1	
22	Z5G.9.4.2	三通管 Accumulator	1	
23	ZBJ15001-87	喉箍 d20 Clamp	2	
24	Z3G.12-1	软管 Hose	1	

38. Z3G. 12 制动系统 Brake System

标号 Sr. No.	零件代号 Part No.	名 称 Part Description	数量 Q'ty	备 注 Remark
25	Z3G. 12-10	至手控制气管 Air Pipe	1	
26		手制动 Power Brake	1	
27	Z3. 12. 8B	加力泵至后桥油管 Rear Axle Pipe	1	
28	Z3G. 12. 4	后桥油管 Rear Axle Pipe	1	
29	ZL40. 12-2	后桥油路三通接头 Tee Joint	1	
30	Z3G. 12. 6	左后桥油管 Left Rear Axle Pipe	1	
31	Z3. 12. 11A	储气缸 Air Tank	1	
32	Z3G. 12-7	空气胶管 Air Hose	1	
33	Z3(YC). 1. 3	进气管 Hose	1	
34	SH380A-3511010	油水分离器组合阀 Oil-Water Separator	1	
35	Z3. 12-2	接头 Joint	1	
36	ZL40. 12. 15-2	垫 Washer	1	
37	Z3. 12-4	垫圈 Washer	1	

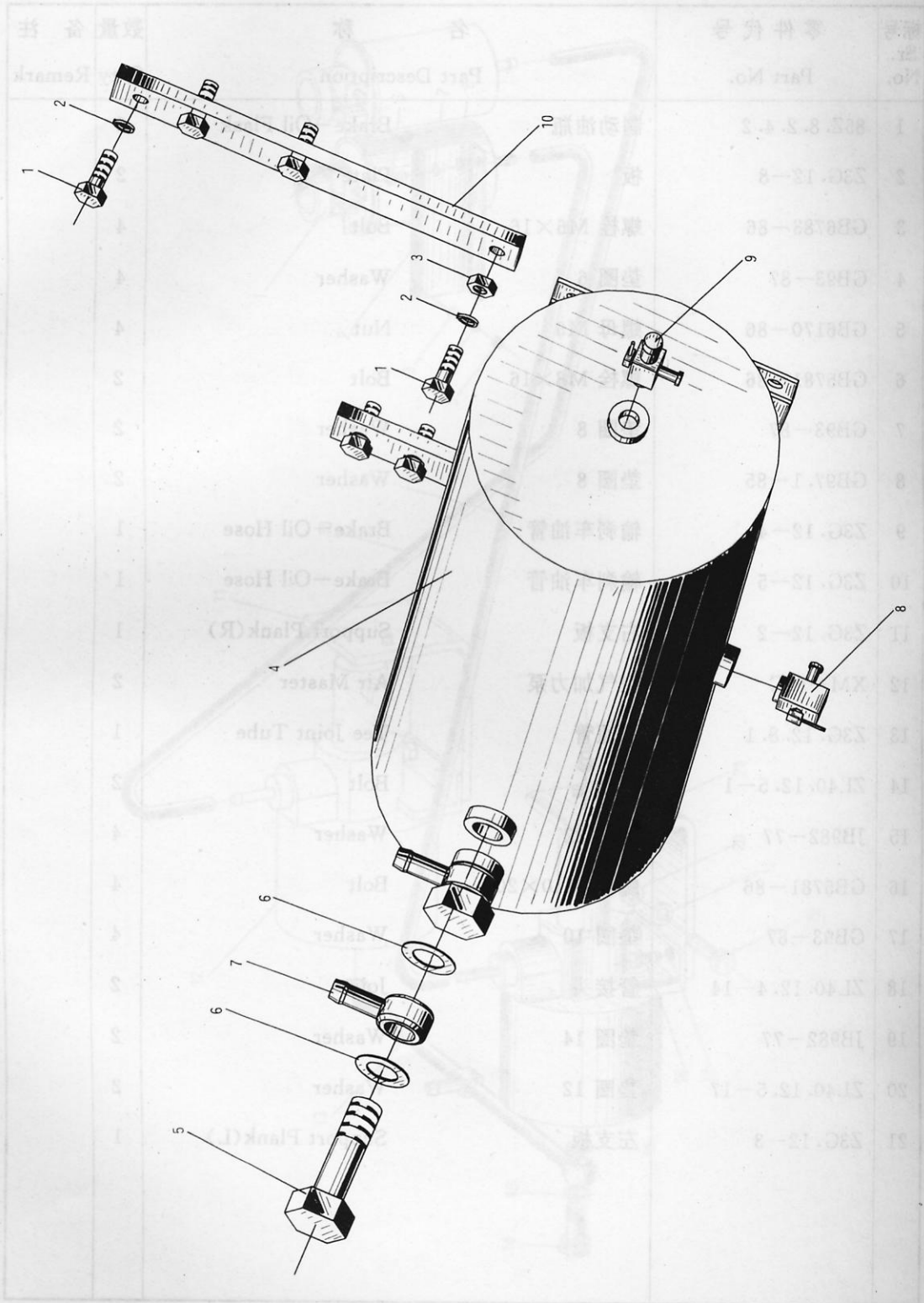
39. Z3G. 12. 8 加力泵组 Air Master Unit



39. Z3G. 12. 8 加力泵组 Air Master Unit

标号 Sr. No.	零件代号 Part No.	名 称 Part Description		数量 Q'ty	备 注 Remark
1	85Z. 8. 2. 4. 2	制动油瓶	Brake—Oil Flask	2	
2	Z3G. 12—8	板	Plate	2	
3	GB6783—86	螺栓 M6×16	Bolt	4	
4	GB93—87	垫圈 6	Washer	4	
5	GB6170—86	螺母 M6	Nut	4	
6	GB5781—86	螺栓 M8×16	Bolt	2	
7	GB93—87	垫圈 8	Washer	2	
8	GB97. 1—85	垫圈 8	Washer	2	
9	Z3G. 12—4	输刹车油管	Brake—Oil Hose	1	
10	Z3G. 12—5	输刹车油管	Brake—Oil Hose	1	
11	Z3G. 12—2	右支板	Support Plank(R)	1	
12	XM—60C	空气加力泵	Air Master	2	
13	Z3G. 12. 8. 1	三通管	Tee Joint Tube	1	
14	ZL40. 12. 5—1	螺栓	Bolt	2	
15	JB982—77	垫圈 22	Washer	4	
16	GB5781—86	螺栓 M10×20	Bolt	4	
17	GB93—87	垫圈 10	Washer	4	
18	ZL40. 12. 4—14	管接头	Joint	2	
19	JB982—77	垫圈 14	Washer	2	
20	ZL40. 12. 5—17	垫圈 12	Washer	2	
21	Z3G. 12—3	左支板	Support Plank(L)	1	

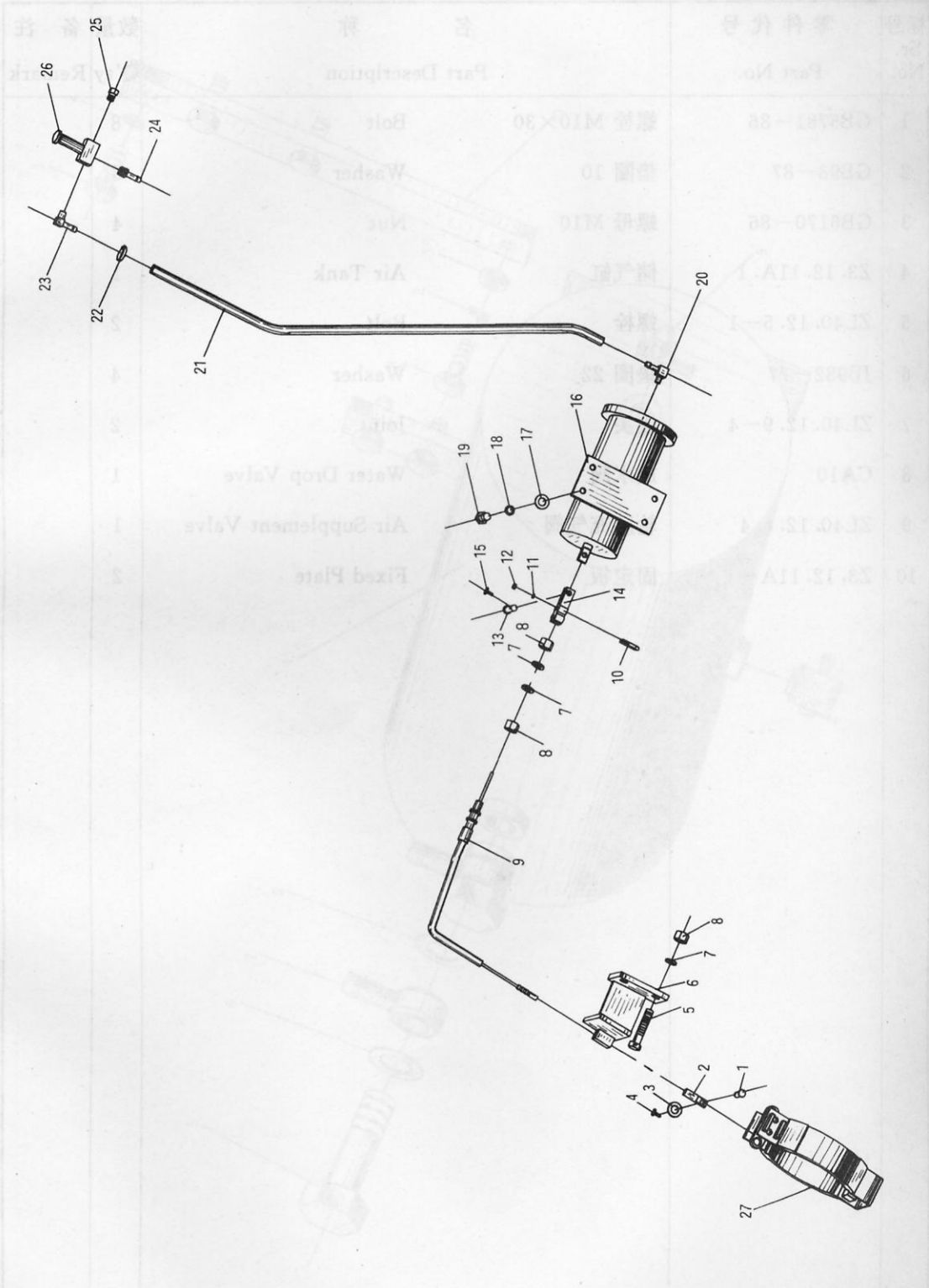
40. Z3. 12. 11A 储气缸 Air Tank



40. Z3. 12. 11A 储气缸 Air Tank

标号 Sr. No.	零件代号 Part No.	名 称 Part Description		数量 Q'ty	备注 Remark
1	GB5781-86	螺栓 M10×30	Bolt	8	
2	GB93-87	垫圈 10	Washer	8	
3	GB6170-86	螺母 M10	Nut	4	
4	Z3. 12. 11A. 1	储气缸	Air Tank	1	
5	ZL40. 12. 5-1	螺栓	Bolt	2	
6	JB982-77	垫圈 22	Washer	4	
7	ZL40. 12. 9-4	接头	Joint	2	
8	CA10	放水阀	Water Drop Valve	1	
9	ZL40. 12. 6. 4	轮胎充气阀	Air Supplement Valve	1	
10	Z3. 12. 11A-1	固定板	Fixed Plate	2	

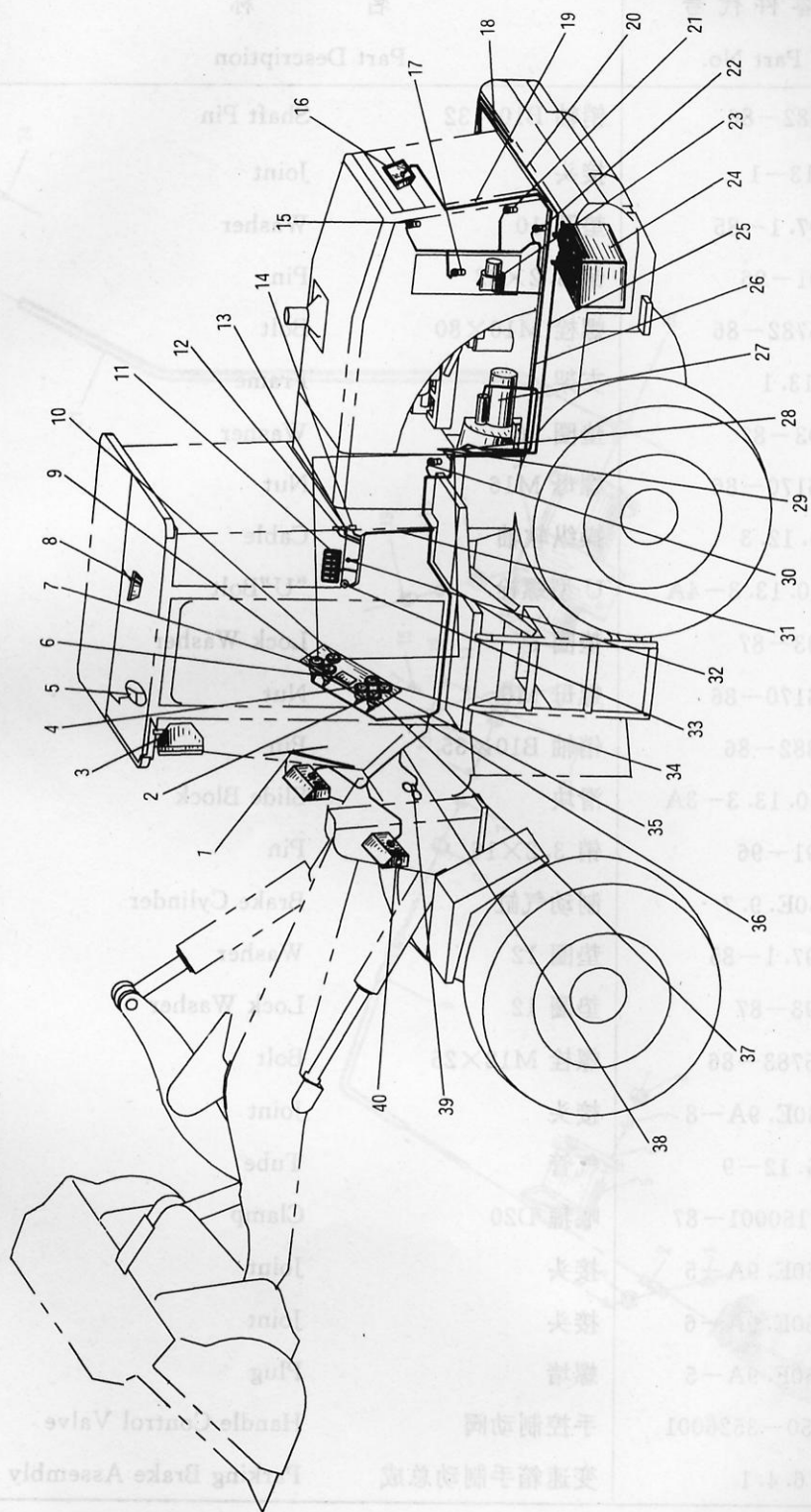
41. Z3G. 12 手制动总成 Parking Brake Assembly



41. Z3G. 12 手制动总成 Parking Brake Assembly

标号 Sr. No.	零件代号 Part No.	名 称 Part Description	数量 Q'ty	备 注 Remark
1	GB882-86	销轴 B10×32 Shaft Pin	1	
2	Z3. 13-1	接头 Joint	1	
3	GB97. 1-85	垫圈 10 Washer	1	
4	GB91-96	销 3.2×22 Pin	1	
5	GB5782-86	螺栓 M16×80 Bolt	2	
6	Z3. 13. 1	支架 Frame	1	
7	GB93-87	垫圈 16 Washer	4	
8	GB6170-86	螺母 M16 Nut	4	
9	Z3G. 12. 3	操纵软轴 Cable	1	
10	ZL40. 13. 3-4A	U型螺栓 "U"Bolt	2	
11	GB93-87	垫圈 6 Lock Washer	4	
12	GB6170-86	螺母 M6 Nut	4	
13	GB882-86	销轴 B10×35 Pin	1	
14	ZL40. 13. 3-3A	滑块 Slide Block	1	
15	GB91-96	销 3.2×16 Pin	1	
16	ZL50E. 9. 7	制动气缸 Brake Cylinder	1	
17	GB97. 1-85	垫圈 12 Washer	4	
18	GB93-87	垫圈 12 Lock Washer	4	
19	GB5783-86	螺栓 M12×25 Bolt	4	
20	ZL50E. 9A-8	接头 Joint	1	
21	Z3G. 12-9	气管 Tube	1	
22	ZBJ150001-87	喉箍 D20 Clamp	2	
23	ZL50E. 9A-5	接头 Joint	1	
24	ZL50E. 9A-6	接头 Joint	1	
25	ZL50F. 9A-5	螺堵 Plug	1	
26	QZ50-3526001	手控制动阀 Handle Control Valve	1	
27	Z3. 6. 4. 1	变速箱手制动总成 Parking Brake Assembly	1	

42. Z3G.14 电气系统 Electrical System



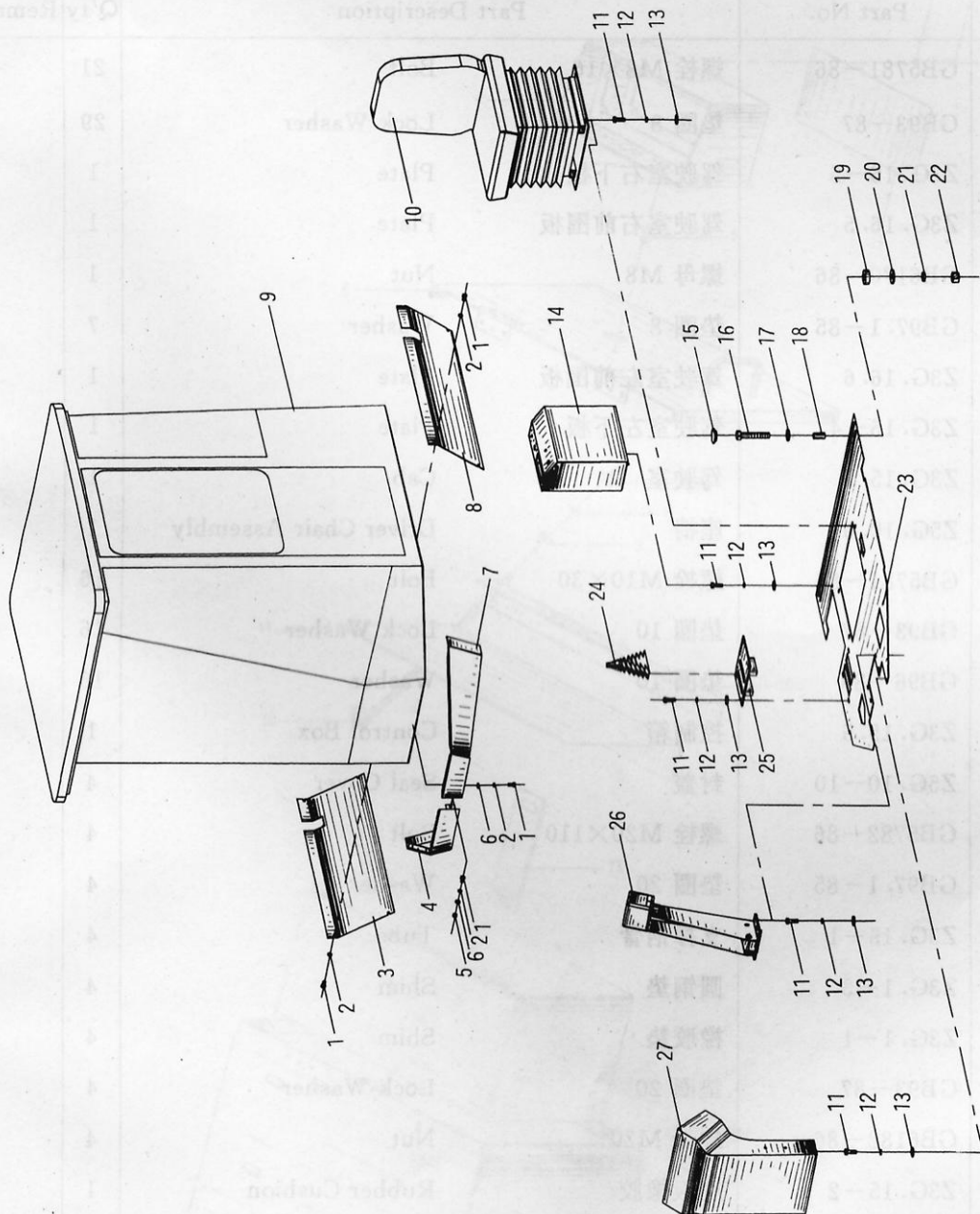
42. Z3G. 14 电气系统 Electrical System

序号 Sr. No.	零件代号 Part No.	名称 Part Description	数量 Q'ty	备注 Remark
1	ZD2312	雨刮器 Wiper	1	
2	YY242A3	发动机油压表 Engine Oil Pressure Meter	1	
3	小松工作灯	工作大灯 Working Lamp	4	
4	SW242A	水温表 Water Temperature Meter	1	
5	ZDS-200	电风扇 Fan	1	
6	8SQZ-30E	指示灯组 Signal Lamp	1	
7	YY242C	气压表 Air Pressure Meter	1	
8	CS130	室内顶灯 Head Lamp	1	
9	YW242B	T/M 油温表 T/M Oil Temperature Meter	1	
10	RY242A	燃油表 Fuel Meter	1	
11	JK932-50G	翘板开关 Sw.	1	
12	FM221	蜂鸣器 Warning Buzzer	1	
13	SG227B	闪光器 Flasher	1	
14	BX508	保险丝盒 Fuse Box	1	
15	YG2221C	发动机油压传感器 Engine Oil Pressure Meter	1	
16	WD134-1	后大灯 Rear Flood Lamp	1	
17	WG1371	温度传感器 Temperature Meter	1	
18	Z3G. 14. 3	蓄电池搭铁线 Ground Wire	1	
19	Z3G. 14. 1	后灯线束 Tail Lamp Wire Assembly	1	
20	Z3G. 14. 4	蓄电池连线 Battery Link Wire	1	
21	YG2221C2	气压传感器 Air Pressure Sensor	1	
22	RG1163M13	燃油传感器 Fuel Sensor	1	
23	FDJ	发电机 Alternator	1	
24	6-QA-180	蓄电池 Battery	2	

42. Z3G. 14 电气系统 Electrical System

标号 Sr. No.	零件代号 Part No.	名 称 Part Description	数量 Q'ty	备注 Remark
25	Z3G. 14. 6	开关—马达线 Sw. —Startor Wire	1	
26	Z3G. 14. 7	后车架线束 Rear Chassis Wire Assembly	1	
27	MD	马达 Startor	1	
28	DK2312A	电源总开关 Battery Relay	1	
29	JFT245A—28V	调节器 Regulator	1	
30	WG1371D	温度传感器 Temperature Sensor	1	
31	Z3G. 14. 2	右箱线束 Right Box Wire Assembly	1	
32	JK114	雨刮开关 Sw.	1	
33	08086—10000	钥匙开关 Wiper	1	
34	DY242A	电压表 Engine Oil Pressure Meter	1	
35	QJT5	积时表 Working Lamp	1	
36	Z3G. 14. 9	仪表盘线束 Water Temperature Meter	1	
37	Z3G. 14—1	仪表板 Instrument Plate	1	
38	Z3G. 14. 8	前车架线束 Signal Lamp	1	
39	DL50G(D)—24	喇叭 Horn	1	
40	TCM 转向灯	前小灯 Head Lamp	2	

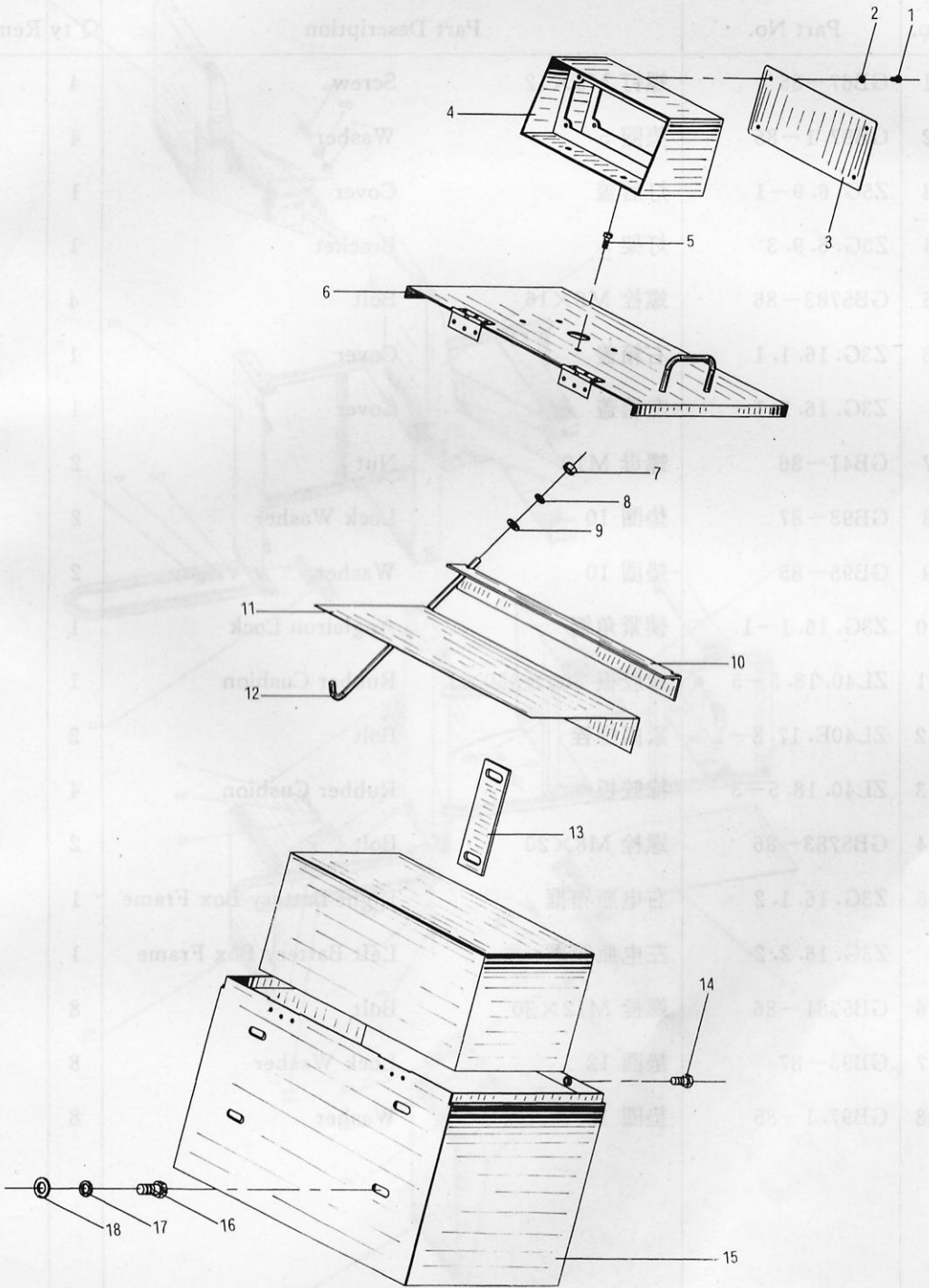
43. Z3G. 15 驾驶室总成 Cab Assembly



43. Z3G. 15 驾驶室总成 Cab Assembly

标号 Sr. No.	零件代号 Part No.	名 称 Part Description	数量 Q'ty	备 注 Remark
1	GB5781-86	螺栓 M8×16 Bolt	21	
2	GB93-87	垫圈 8 Lock Washer	29	
3	Z3G. 16-5	驾驶室右下板 Plate	1	
4	Z3G. 16.5	驾驶室右前围板 Plate	1	
5	GB6170-86	螺母 M8 Nut	1	
6	GB97.1-85	垫圈 8 Washer	7	
7	Z3G. 16.6	驾驶室左前围板 Plate	1	
8	Z3G. 16-4	驾驶室左下板 Plate	1	
9	Z3G. 15.1	驾驶室 Cab	1	
10	Z5G. 10.6	座椅 Driver Chair Assembly	1	
11	GB5781-86	螺栓 M10×30 Bolt	16	
12	GB93-87	垫圈 10 Lock Washer	16	
13	GB96-85	垫圈 10 Washer	16	
14	Z3G. 15.5	控制箱 Control Box	1	
15	Z5G. 10-10	封盖 Seal Cover	4	
16	GB5782-86	螺栓 M20×110 Bolt	4	
17	GB97.1-85	垫圈 20 Washer	4	
18	Z3G. 15-1	支撑钢管 Tube	4	
19	Z3G. 1-3	圆钢垫 Shim	4	
20	Z3G. 1-1	橡胶垫 Shim	4	
21	GB93-87	垫圈 20 Lock Washer	4	
22	GB6182-86	螺母 M20 Nut	4	
23	Z3G. 15-2	底板橡胶 Rubber Cushion	1	
24	Z3G. 15-5	防尘套 Bushing	2	
25	Z3G. 15.4A	固定板 Plate	1	
26	Z3G. 15.3	转向柱罩 Steering Cover	1	
27	Z3G. 15.2	仪表台架 Meters Platform	1	

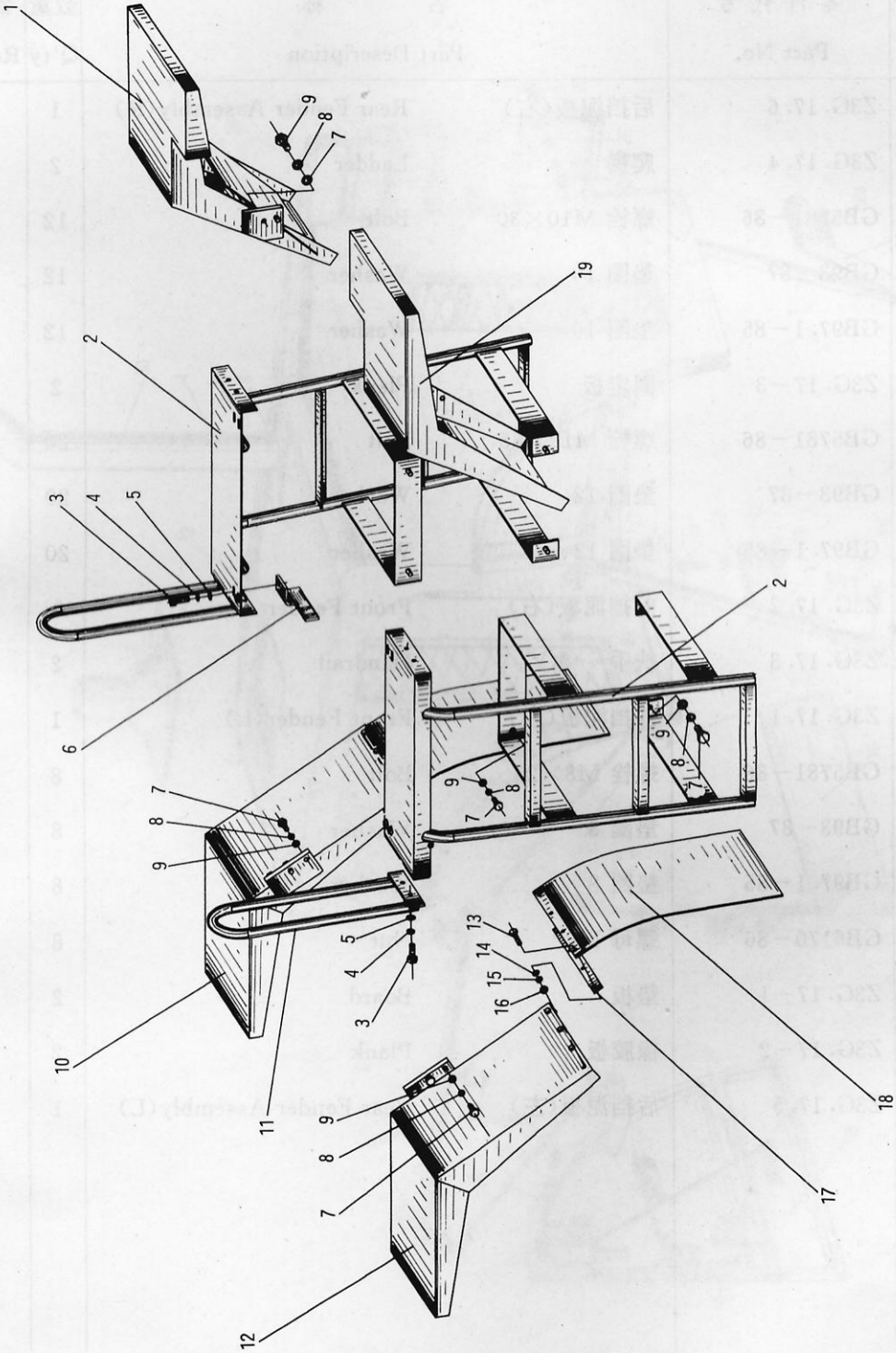
44. Z3G.16 左右电瓶箱 Left Right Battery Box



44. Z3G. 16 左右电瓶箱 Left Right Battery Box

标号 Sr. No.	零件代号 Part No.	名 称 Part Description	数量 Q'ty	备 注 Remark
1	GB67-85	螺钉 M5×12 Screw	4	
2	GB97.1-85	垫圈 5 Washer	4	
3	Z5G. 6. 9-1	灯后盖 Cover	1	
4	Z5G. 6. 9. 3	灯架 Bracket	1	
5	GB5783-86	螺栓 M8×16 Bolt	4	
6	Z3G. 16. 1. 1	右箱盖 Cover	1	
	Z3G. 16. 2. 1	左箱盖 Cover	1	
7	GB41-86	螺母 M10 Nut	2	
8	GB93-87	垫圈 10 Lock Washer	2	
9	GB95-85	垫圈 10 Washer	2	
10	Z3G. 16. 1-1	锁紧角钢 Angleiron Lock	1	
11	ZL40. 18. 5-5	橡胶板 550×330×1 Rubber Cushion	1	
12	ZL40E. 17. 8-1	紧固螺栓 Bolt	2	
13	ZL40. 18. 5-3	橡胶板 Rubber Cushion	4	
14	GB5783-86	螺栓 M8×20 Bolt	2	
15	Z3G. 16. 1. 2	右电瓶箱框 Right Battery Box Frame	1	
	Z3G. 16. 2. 2	左电瓶箱框 Left Battery Box Frame	1	
16	GB5781-86	螺栓 M12×30 Bolt	8	
17	GB93-87	垫圈 12 Lock Washer	8	
18	GB97.1-85	垫圈 12 Washer	8	

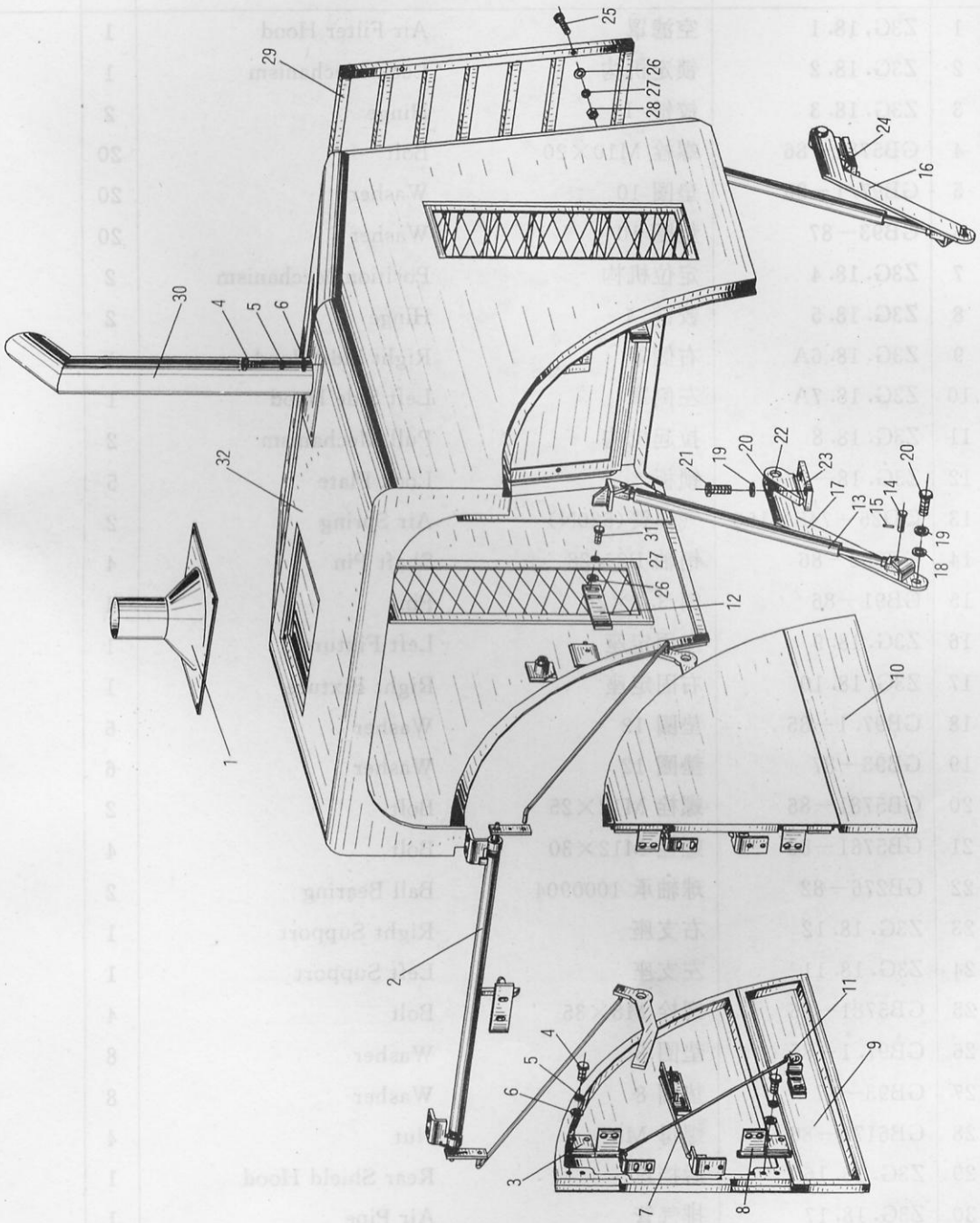
45. Z3G.17A 挡泥板 Fender Assembly



45. Z3G. 17A 挡泥板 Fender Assembly

标号 Sr. No.	零件代号 Part No.	名 称 Part Description	数量 Q'ty	备 注 Remark
1	Z3G. 17. 6	后挡泥板(右) Rear Fender Assembly(R)	1	
2	Z3G. 17. 4	爬梯 Ladder	2	
3	GB5781-86	螺栓 M10×30 Bolt	12	
4	GB93-87	垫圈 10 Washer	12	
5	GB97. 1-85	垫圈 10 Washer	12	
6	Z3G. 17-3	固定板 Plank	2	
7	GB5781-86	螺栓 M12×35 Bolt	20	
8	GB93-87	垫圈 12 Washer	20	
9	GB97. 1-85	垫圈 12 Washer	20	
10	Z3G. 17. 2	前挡泥板(右) Front Fender	1	
11	Z3G. 17. 3	扶手 Handrail	2	
12	Z3G. 17. 1	前挡泥板(左) Front Fender(L)	1	
13	GB5781-86	螺栓 M8×25 Bolt	8	
14	GB93-87	垫圈 8 Washer	8	
15	GB97. 1-85	垫圈 8 Washer	8	
16	GB6170-86	螺母 M8 Nut	8	
17	Z3G. 17-1	垫板 Board	2	
18	Z3G. 17-2	橡胶板 Plank	2	
19	Z3G. 17. 5	后挡泥板(左) Rear Fender Assembly(L)	1	

46. Z3G. 18A 机罩 Hood



46. Z3G.18A 机罩 Hood

标号 Sr. No.	零件代号 Part No.	名 称 Part Description	数量 Q'ty	备 注 Remark
1	Z3G.18.1	空滤罩 Air Filter Hood	1	
2	Z3G.18.2	锁定机构 Lock Mechanism	1	
3	Z3G.18.3	铰链 I Hinge	2	
4	GB5781-86	螺栓 M10×20 Bolt	20	
5	GB97.1-85	垫圈 10 Washer	20	
6	GB93-87	垫圈 10 Washer	20	
7	Z3G.18.4	定位机构 Position Mechanism	2	
8	Z3G.18.5	铰链 II Hinge	2	
9	Z3G.18.6A	右侧罩 Right Side Hood	1	
10	Z3G.18.7A	左侧罩 Left Side Hood	1	
11	Z3G.18.8	拉起机构 Pull Mechanism	2	
12	Z3G.18-1	锁板 Lock Plate	5	
13	QD25-745×150	气弹簧(520N) Air Spring	2	
14	GB882-86	销轴 B8×28 Shaft Pin	4	
15	GB91-86	销 3.2×20 Pin	4	
16	Z3G.18.9	左固定座 Left Fixture	1	
17	Z3G.18.10	右固定座 Right Fixture	1	
18	GB97.1-85	垫圈 12 Washer	6	
19	GB93-87	垫圈 12 Washer	6	
20	GB5781-86	螺栓 M12×25 Bolt	2	
21	GB5781-86	螺栓 M12×30 Bolt	4	
22	GB276-82	球轴承 1000904 Ball Bearing	2	
23	Z3G.18.12	右支座 Right Support	1	
24	Z3G.18.11	左支座 Left Support	1	
25	GB5781-86	螺栓 M8×35 Bolt	4	
26	GB97.1-85	垫圈 8 Washer	8	
27	GB93-87	垫圈 8 Washer	8	
28	GB6170-86	螺母 M8 Nut	4	
29	Z3G.18.16A	后挡罩 Rear Shield Hood	1	
30	Z3G.18.17	排气管 Air Pipe	1	
31	GB5781-86	螺栓 M8×20 Bolt	4	
32	Z3G.18.15A	后罩 Rear Hood	1	